



# INSTALLATION AND OPERATION MANUAL

## US RANGE UT SERIES HEAVY DUTY GAS COUNTER EQUIPMENT



Français.....	Page 17
Español.....	Página 33

<p><b>FOR YOUR SAFETY:</b> DO NOT STORE OR USE GASOLINE OR OTHER FLAMMABLE VAPORS OR LIQUIDS IN THE VICINITY OF THIS OR ANY OTHER APPLIANCE</p>
<p><b>WARNING:</b> IMPROPER INSTALLATION, ADJUSTMENT, ALTERATION, SERVICE OR MAINTENANCE CAN CAUSE PROPERTY DAMAGE, INJURY, OR DEATH. READ THE INSTALLATION, OPERATING AND MAINTENANCE INSTRUCTIONS THOROUGHLY BEFORE INSTALLING OR SERVICING THIS EQUIPMENT</p>

PLEASE READ ALL SECTIONS OF THIS MANUAL AND RETAIN FOR FUTURE REFERENCE.

THIS PRODUCT HAS BEEN CERTIFIED AS COMMERCIAL COOKING EQUIPMENT AND MUST BE INSTALLED BY PROFESSIONAL PERSONNEL AS SPECIFIED.

IN THE COMMONWEALTH OF MASSACHUSETTS THIS PRODUCT MUST BE INSTALLED BY A LICENSED PLUMBER OR GAS FITTER. APPROVAL NUMBER: G-1-07-05-28

For Your Safety:  
Post in a prominent location, instructions to be followed in the event the user smells gas. This information shall be obtained by consulting your local gas supplier.

Users are cautioned that maintenance and repairs must be performed by a Garland/US Range authorized service agent using genuine Garland/US Range replacement parts. Garland/US Range will have no obligation with respect to any product that has been improperly installed, adjusted, operated or not maintained in accordance with national and local codes or installation instructions provided with the product, or any product that has its serial number defaced, obliterated or removed, or which has been modified or repaired using unauthorized parts or by unauthorized service agents. For a list of authorized service agents, please refer to the Garland/US Range web site at <http://www.Garland-Group.com>. The information contained herein, (including design and parts specifications), may be superseded and is subject to change without notice.

## **IMPORTANT INFORMATION**

**WARNING:**

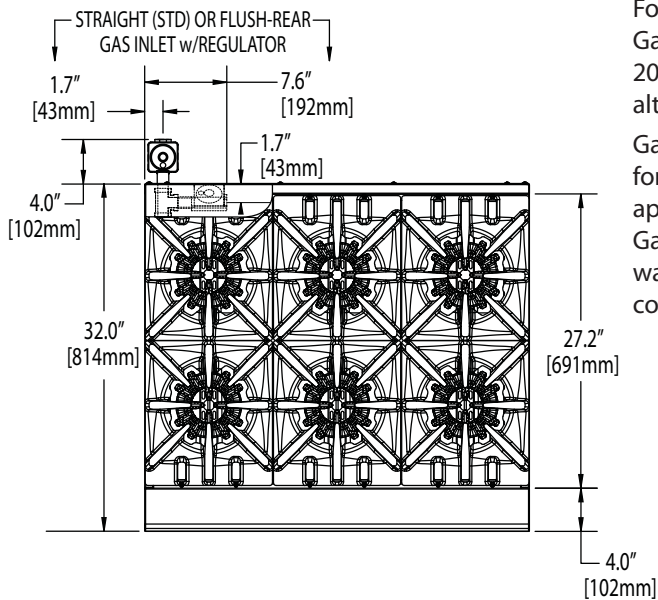
**This product contains chemicals known to the state of California to cause cancer and/or birth defects or other reproductive harm. Installation and servicing of this product could expose you to airborne particles of glass wool/ceramic fibers. Inhalation of airborne particles of glass wool/ceramic fibers is known to the state of California to cause cancer. Operation of this product could expose you to carbon monoxide if not adjusted properly. Inhalation of carbon monoxide is known to the state of California to cause birth defects or other reproductive harm.**

**Keep appliance area free and clear of combustibles.**

# TABLE OF CONTENTS

<b>SPECIFICATIONS: HOT PLATES</b> .....	<b>4</b>
<b>SPECIFICATIONS: STEP-UP HOT PLATES</b> .....	<b>5</b>
<b>SPECIFICATIONS: CERAMIC-BRIQUETTE CHAR-BROILERS</b> .....	<b>6</b>
<b>SPECIFICATIONS: RADIANT CHAR-BROILERS</b> .....	<b>7</b>
<b>SPECIFICATIONS: GRIDDLES</b> .....	<b>8</b>
<b>PRE INSTALLATION</b> .....	<b>9</b>
Damage Check .....	9
Rating Plate .....	9
<b>INSTALLATION</b> .....	<b>9</b>
General .....	9
Gas Connections .....	9
Leg Installation .....	10
Ventilation .....	11
Air Supply .....	11
<b>ADJUSTMENTS</b> .....	<b>11</b>
Burner Adjustments – All Models .....	11
<b>OPERATION: ALL MODELS</b> .....	<b>12</b>
Lighting Standing Pilots - All Models .....	12
Shutdown Procedure .....	12
<b>MAINTENANCE &amp; CLEANING</b> .....	<b>13</b>
Seasoning .....	13
Griddle (standard steel plate) .....	13
Griddle (optional chrome) .....	13
Cast Iron Top Grates (Hot Plates & Char-Broilers) .....	13
Cleaning .....	14
Griddle .....	14
Open Top Burners .....	14
Cast Iron Top Grates .....	14
Char-Broilers .....	15
Stainless Steel .....	15

# SPECIFICATIONS: HOT PLATES



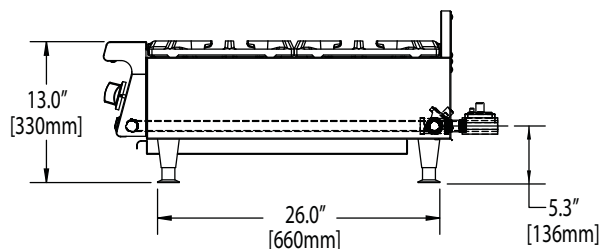
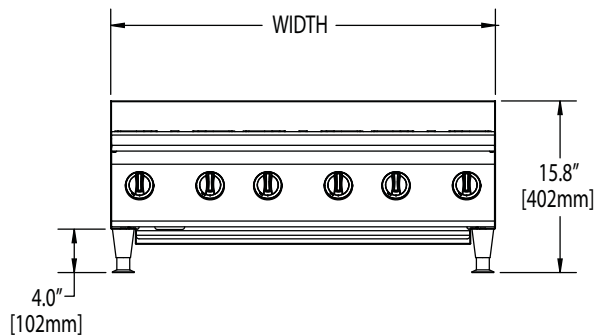
For use with Natural or Propane gas only.

Gas input ratings shown for installations up to 2000 ft., (610m), above sea level. Please specify altitudes over 2000 ft. and gas type when ordering.

Garland/U.S. Range products are not approved or authorized for home or residential use, but are intended for commercial applications only.

Garland/U.S. Range will not provide service, warranty, maintenance or support of any kind other than in commercial applications.

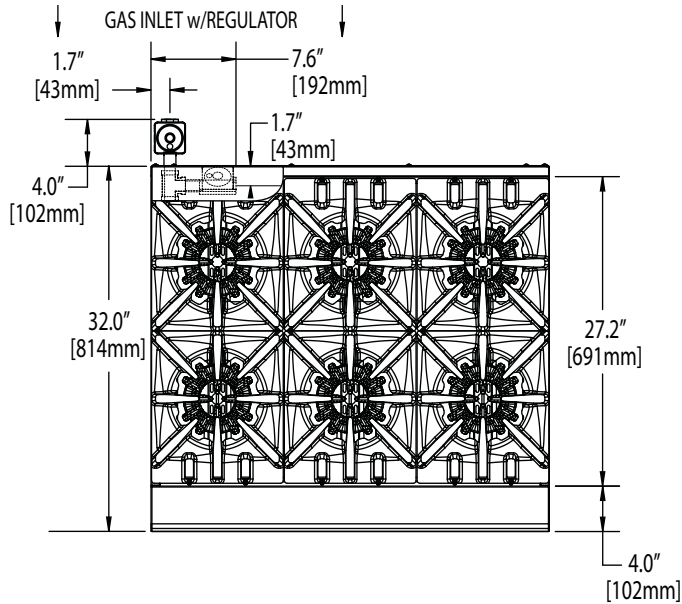
\* Please add 7 (178mm) in overall depth with attachment condiment rail option.



Model #	Width In (mm)	Height (w/std legs)	Depth In (mm)	Total Input (BTU)		Shipping Information	
				NAT	PRO	Lbs/Kg	Cu Ft
UTOG12-2	11-13/16 (300)	13 (330)	32 (814)	60,000	52,000	73/33	4
UTOG24-4	23-5/8 (600)			120,000	104,000	135/61	8
UTOG36-6	35-7/16 (900)			180,000	156,000	191/87	25
UTOG48-8	47-1/4 (1200)			240,000	208,000	247/112	33

SUPPLY OPERATING PRESSURE				MANIFOLD OPERATING PRESSURE				CLEARANCES	
NATURAL GAS		PROPANE		NATURAL GAS		PROPANE		INSTALLATION TO COMBUSTIBLE	
"WC	MBar	"WC	Mbar	"WC	MBar	"WC	Mbar	Sides	Rear
7	17.5	11	27.5	4.5	11	10	24.5	14" (356mm)	6" (152mm)

# SPECIFICATIONS: STEP-UP HOT PLATES

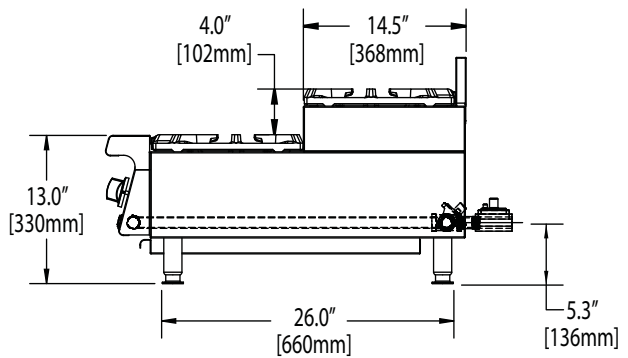
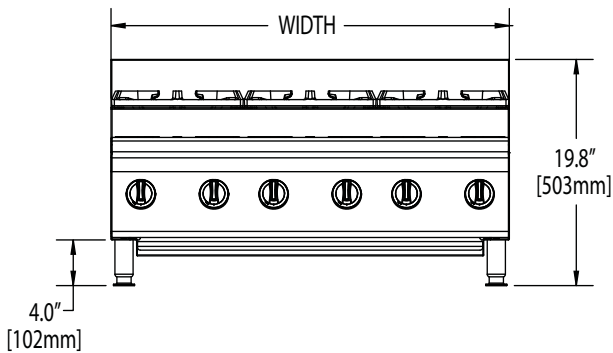


For use with Natural or Propane gas only.  
 Gas input ratings shown for installations up to 2000 ft., (610m), above sea level. Please specify altitudes over 2000 ft. and gas type when ordering.

Garland/U.S. Range products are not approved or authorized for home or residential use, but are intended for commercial applications only.

Garland/U.S. Range will not provide service, warranty, maintenance or support of any kind other than in commercial applications.

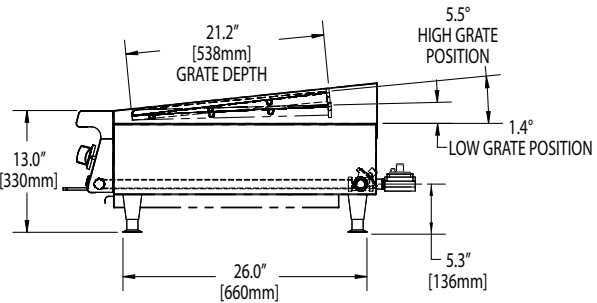
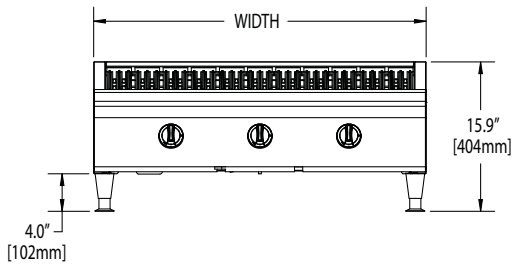
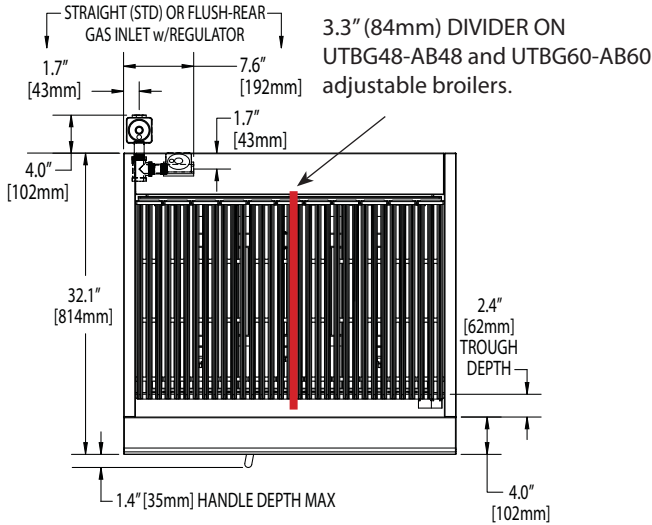
\* Please add 7" (178mm) in overall depth with attachment condiment rail option.



Model #	Width In (mm)	Height (w/std legs)	Depth In (mm)	Total Input (BTU)		Shipping Information	
				NAT	PRO	Lbs/Kg	Cu Ft
UTOG24-SU4	23-5/8 (600)	19-13/16 (503)	32 (814)	120,000	104,000	135/61	8
UTOG36-SU6	35-7/16 (900)			180,000	156,000	191/87	25
UTOG48-SU8	47-1/4 (1200)			240,000	208,000	247--/112	33

SUPPLY OPERATING PRESSURE				MANIFOLD OPERATING PRESSURE				CLEARANCES	
NATURAL GAS		PROPANE		NATURAL GAS		PROPANE		INSTALLATION TO COMBUSTIBLE	
"WC	MBar	"WC	Mbar	"WC	MBar	"WC	Mbar	Sides	Rear
7	17.5	11	27.5	4.5	11	10	24.5	7" (178mm)	6" (152mm)

# SPECIFICATIONS: CERAMIC-BRIQUETTE CHAR-BROILERS



For use with Natural or Propane gas only.

Gas input ratings shown for installations up to 2000 ft., (610m), above sea level. Please specify altitudes over 2000 ft. and gas type when ordering.

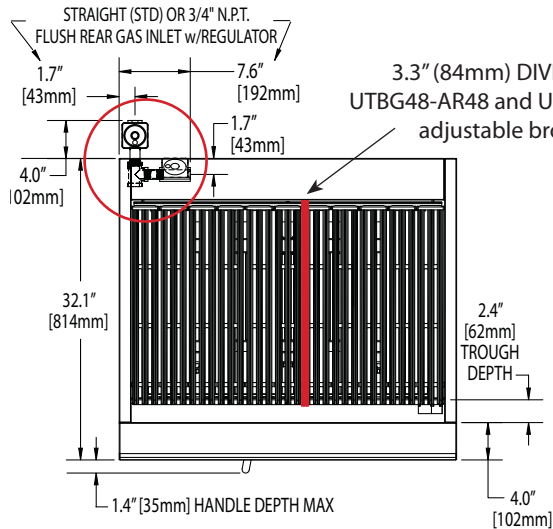
Garland/U.S. Range products are not approved or authorized for home or residential use, but are intended for commercial applications only. Garland/U.S. Range will not provide service, warranty, maintenance or support of any kind other than in commercial applications.

\* Please add 7" (178mm) in overall depth with attachment condiment rail option.

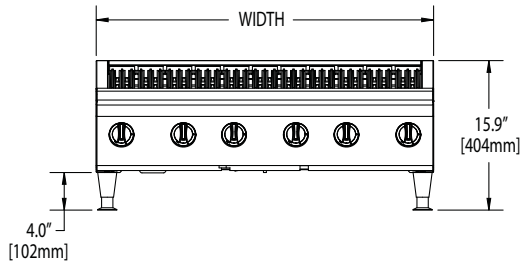
Model #	Width In (mm)	Height (w/std legs)	Depth In (mm)	Total Input (BTU)	Shipping Information	
					Lbs/Kg	Cu Ft
UTBG24-AB24	23-5/8 (600)	13 (330)	32 (814)	60,000	283/129	19
UTBG36-AB36	35-7/16 (900)			90,000	391/178	26
UTBG48-AB48	47-1/4 (1200)			120,000	514/283	34
UTBG60-AB60	59-1/16 (1500)			150,000	635/288	41

SUPPLY OPERATING PRESSURE				MANIFOLD OPERATING PRESSURE				INSTALLATION CLEARANCES
NATURAL GAS		PROPANE		NATURAL GAS		PROPANE		
"WC	MBar	"WC	Mbar	"WC	MBar	"WC	Mbar	
7	17.5	11	27.5	4.5	11	10	24.5	<b>CLEARANCE: 0"</b> <b>FOR INSTALLATION IN</b> <b>NON-COMBUSTIBLE</b> <b>SURROUNDINGS ONLY</b>

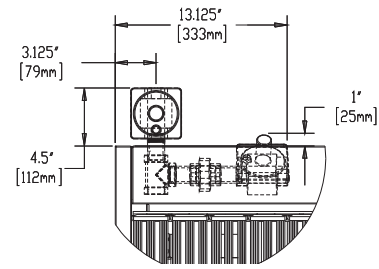
# SPECIFICATIONS: RADIANT CHAR-BROILERS



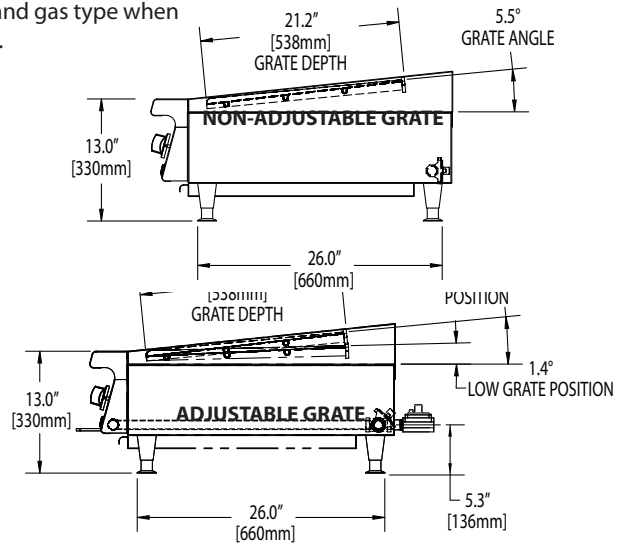
\* Please add 7" (178mm) in overall depth with attachment condiment rail option.



GAS CONNECTION OPTIONS FOR MODEL UTBG72-NR72  
STRAIGHT (STD) OR NEARLY FLUSH 1" N.P.T REAR GAS INLET w/REGULATOR.



For use with Natural or Propane gas only. Gas input ratings shown for installations up to 2000 ft. (610m), above sea level. Please specify altitudes over 2000 ft. and gas type when ordering.



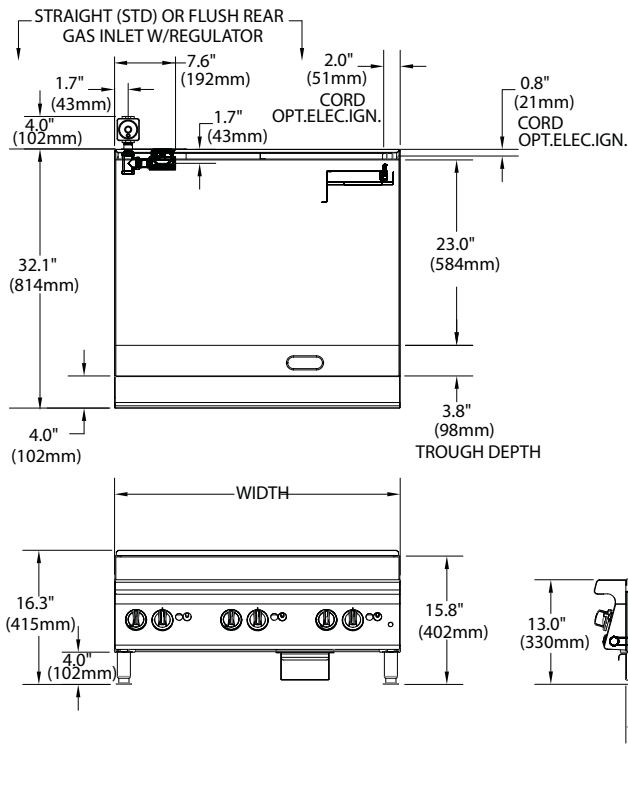
Model #	Width In (mm)	Height (w/std legs)	Depth In (mm)	Total Input (BTU)	Shipping Information	
					Lbs/Kg	Cu Ft
<b>With Adjustable Grates</b>						
UTBG24-AR24	23-5/8 (600)	13 (330)	32 (814)	72,000	283/129	19
UTBG36-AR36	35-7/16 (900)			108,000	391/178	26
UTBG48-AR48	47-1/4 (1200)			144,000	514/283	34
UTBG60-AR60	59-1/16 (1500)			180,000	635/288	41
<b>With Non-Adjustable Grates</b>						
UTBG24-NR24	23-5/8 (600)	13 (330)	32 (814)	72,000	283/129	18
UTBG36-NR36	35-7/16 (900)			108,000	391/178	25
UTBG48-NR48	47-1/4 (1200)			144,000	514/283	33
UTBG60-NR60	59-1/16 (1500)			180,000	635/288	40
UTBG72-NR72	70 7/8 (1800)			216,000	690/313	47

SUPPLY OPERATING PRESSURE				MANIFOLD OPERATING PRESSURE				INSTALLATION CLEARANCES
NATURAL GAS		PROPANE		NATURAL GAS		PROPANE		
"WC	MBar	"WC	Mbar	"WC	MBar	"WC	Mbar	
7	17.5	11	27.5	4.5	11	10	24.5	

**CLEARANCE: 0"**  
**FOR INSTALLATION IN**  
**NON-COMBUSTIBLE**  
**SURROUNDINGS ONLY**

Garland/U.S. Range products are not approved or authorized for home or residential use, but are intended for commercial applications only. Garland/U.S. Range will not provide service, warranty, maintenance or support of any kind other than in commercial applications.

# SPECIFICATIONS: GRIDDLES



For use with Natural or Propane gas only. Gas input ratings shown for installations up to 2000 ft., (610m), above sea level. Please specify altitudes over 2000 ft. and gas type required when ordering.

Garland/U.S. Range products are not approved or authorized for home or residential use, but are intended for commercial applications only. Garland / U.S. Range will not provide service, warranty, maintenance or support of any kind other than in commercial applications.

\* Please add 7" (178mm) in overall depth with attachment condiment rail option.

Model #	Width In (mm)	Height (w/std legs)	Depth In (mm)	Total Input (BTU)	Shipping Information				
					Lbs/Kg	Cu Ft			
<b>Thermostat Controlled Standard Griddle (1" steel plate)</b>									
UTGG24-GT24M	23-5/8 (600)	13 (330)	32 (814)	56,000	290/132	21			
UTGG36-GT36M	35-7/16 (900)			84,000	405/184	29			
UTGG48-GT48M	47-1/4 (1200)			112,000	595/270	37			
UTGG60-GT60M	59-1/16 (1500)			140,000	705/320	42			
UTGG72-GT72M	70-7/8 (1800)			168,000	810/368	50			
<b>Manually Controlled Standard Griddle (1" steel plate)</b>									
UTGG24-G24M	23-5/8 (600)	13 (330)	32 (814)	54,000	280/127	21			
UTGG36-G36M	35-7/16 (900)			81,000	395/180	29			
UTGG48-G48M	47-1/4 (1200)			108,000	585/266	37			
UTGG60-G60M	59-1/16 (1500)			135,000	688/313	42			
UTGG72-G72M	70-7/8 (1800)			162,000	790/359	50			
<b>SUPPLY OPERATING PRESSURE</b>		<b>MANIFOLD OPERATING PRESSURE</b>				<b>CLEARANCES</b>			
<b>NATURAL GAS</b>		<b>PROPANE</b>		<b>NATURAL GAS</b>		<b>PROPANE</b>		<b>INSTALLATION TO COMBUSTIBLE</b>	
"WC	MBar	"WC	Mbar	"WC	MBar	"WC	Mbar	<b>Sides</b>	<b>Rear</b>
7	17.5	11	27.5	4.5	11	10	24.5	6" (152mm)	6" (152mm)



# PRE INSTALLATION

## Damage Check

Damage check: Check carton or crate for possible damage incurred in shipping. After carefully un-crating, check for "concealed" damage. Report any damage immediately to your carrier.

## Rating Plate

The rating plate is affixed to a bracket mounted at the rear of the unit but visible from the front. The grease drawer may need to be removed to view rating plate.

The correct type of gas for which the unit was manufactured is noted on the rating plate, and this type of gas must be used.

When corresponding with the factory or your local authorized factory service center regarding service problems or replacement parts, be sure to refer to the particular model

by the correct model number (including the prefix and suffix letters and numbers) and the warranty serial number. The rating plate affixed to the appliance contains this information.

We suggest installation, maintenance and repairs be performed by your local authorized service agency listed in your information manual pamphlet.

In the event you have any questions concerning the installation, use, care or service of the product, write or call our Product Service Department.

This product must be installed by professional personnel as specified. Garland/U.S. Range products are not approved or authorized for home or residential use, but are intended for commercial applications only. Garland / U.S. Range will not provide service, warranty, maintenance or support of any kind other than in commercial applications.

# INSTALLATION

## General

1. Carefully remove appliance from carton or crate. Burner tie wires and other packing material should be removed at this time. The protective material covering the stainless steel should be removed immediately after the appliance is installed, before it is fired.
2. Remove top grates and place out of the way, to prevent damage.
3. These appliances must be installed under an adequate ventilation system. Refer to section titled Ventilation for further instructions.
4. All burner adjustments and setting shall be made by a qualified gas technician.

## Gas Connections

The local gas authority should be consulted at the installation planning stage in order to establish the availability of an adequate supply of gas and to ensure that the meter is adequate for the required flow rate. The pipe work from the meter to the appliance must be an appropriate size.

All fixed (non-mobile) appliances MUST be fitted with an accessible upstream gas shut off valve as a means of isolating the appliance for emergency shut off and for servicing. A union or similar means of disconnection must be provided between the gas-cock and the appliance.

A manually operable valve must be fitted to the gas supply to the kitchen to enable it to be isolated in an emergency. Wherever practical, this shall be located either outside the kitchen or near to an exit in a readily accessible position.

Where it is not practical to do this, an automatic isolation valve system shall be fitted which can be operated from a readily accessible position near to the exit.

In locations where the manual isolation valve is fitted or the automatic system can be reset this notice MUST be posted:

**"ALL DOWNSTREAM BURNER AND PILOT VALVES MUST BE TURNED OFF PRIOR TO ATTEMPTING TO RESTORE THE SUPPLY. AFTER EXTENDED SHUT OFF, PURGE BEFORE RESTORING GAS."**

# INSTALLATION

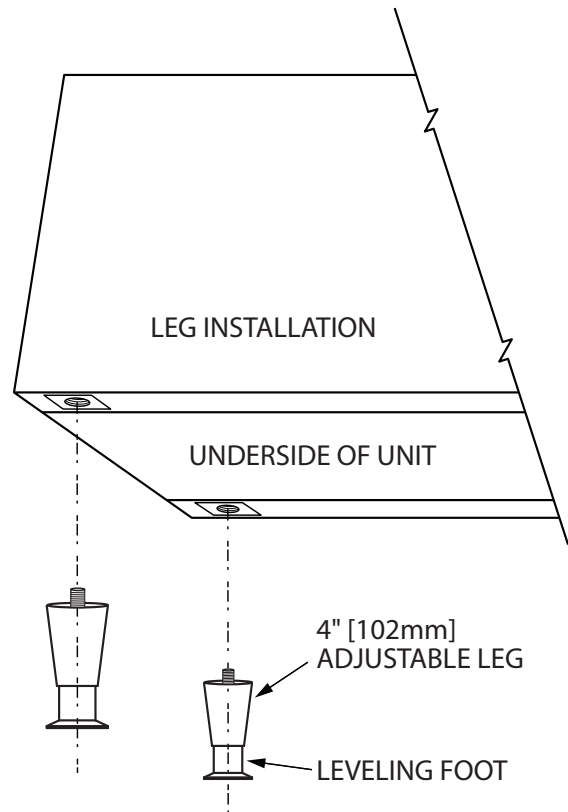
1. The installation and connection must be performed by a licensed gas technician in compliance with local codes, or in the absence of local codes, with CAN/CGA-B149 Installation Code or with the national Fuel Gas Code, ANSI Z223.1/NFPA No. 54 – Latest Edition.
2. The correct type of gas for which the unit was manufactured is noted on the rating plate, and this type of gas must be used.
3. If it is a new installation have the gas authorities check meter size and piping to assure that the appliance is supplied with necessary amount of gas pressure required to operate properly.
4. The gas pressure must be checked when the appliance is installed, to ensure that the gas pressure is the same as specified on the rating plate. If necessary, pressure adjustments can be made at the pressure regulator, supplied on each unit.

**NOTE:** When installing as a flush mount pressure regulator connection, (to allow for equipment installations against a non-combustible wall), a certified flexible gas hose and quick disconnect assembly is required to allow the unit to be moved in the event an adjustment of the gas pressure regulator is required.

5. Have a qualified gas technician check the gas pressure to make certain that existing gas facilities (meter, piping, etc.) will deliver the BTU's of gas required at the appliance with no more than  $\frac{1}{2}$ " water column pressure drop. When checking pressure, be certain that all the equipment on same gas line is turned to the "ON" position.
6. The appliance and its individual shut off valve must be disconnected from the gas supply piping system during any pressure testing of that system at test pressures in excess of  $\frac{1}{2}$  PSIG. (3.45 KPA).
7. The appliance must be isolated from the gas supply piping system by closing its individual manual shut off valve during any pressure testing of the gas supply piping system at test pressures equal to or less than  $\frac{1}{2}$  PSIG. (3.45 KPA).
8. Make certain that the new piping, joints and connections have been made in a clean manner and have been purged, so that the piping compound, chips, etc., will not clog pilots, valves and/or controls. Use pipe joint sealant that is certified for use with liquefied petroleum gas.
9. **WARNING:** Check gas connections for leaks, using soap solution or similar means.  
**Do Not Check with an Open Flame.**

## Leg Installation

Your new appliance has been supplied with 4"(102mm) adjustable legs. These legs are threaded into holes on the bottom. Once the legs are installed turn the leveling foot at the bottom of the leg.



Level the appliance by adjustment of leveling bolts or legs. Use a spirit level and check for level four ways; across front and back, then down left and right edges. Level any adjacent units to the first. A griddle may not rest evenly on the appliance body if it is not properly leveled.

# INSTALLATION

## Ventilation

**Ventilation requirements may be subject to local building and fire codes. Consult local authorities having jurisdiction.**

Counter equipment must be installed in a location in which the facilities for ventilation permit satisfactory combustion of gas and proper venting. Proper ventilation is imperative for good operation of the appliance. The ideal method of ventilating counter equipment is the use of a properly designed ventilating canopy, which should extend at least 6"/152mm beyond all sides of the appliance (except against the wall if the canopy is a wall installation). This is usually part of a mechanical exhaust system.

## Air Supply

1. It is necessary that sufficient room air ingress be allowed to compensate for the amount of air removed by any ventilating system. Otherwise, a subnormal atmospheric pressure will occur, affecting the appliance operation adversely and causing undesirable working conditions.
2. Appliances shall be located so as not to interfere with proper circulation of air within the confined space. All gas burners and pilots require sufficient air to operate.
3. Large objects should not be placed in front of the appliance which might obstruct the air flow through the front. Do not obstruct the flow of combustion and ventilation air.
4. Do not permit fans to blow directly at the appliance, and wherever possible, avoid open windows adjacent to the appliance sides and back; also wall type fans which create air cross-currents within the room.

# ADJUSTMENTS

## Burner Adjustments – All Models

1. Before making any adjustment, turn all gas valves to "OFF". Remove the burner tie wires, if not already removed. Be sure all piping is gas tight and that air is purged from lines.
2. All units are shipped from factory at burner ratings set for the gas specified on the rating plate at normal gas

pressure. The only adjustment necessary is for that governing air.

**Air Adjustment:** If necessary, the air is adjusted by rotating the air shutter on burner. The burner must have enough air that the tips of the flames are not yellow, but not so much air that the flames will lift off the burner ports. Securely tighten air shutter screw so air shutter cannot be moved.

**NOTE:** All adjustments must be performed by a qualified gas technician.

# OPERATION: ALL MODELS

## Lighting Standing Pilots - All Models

After the appliance has been installed by a licensed gas trades-person all connections, pilot lights and controls have been inspected for proper operation. All gas appliances that use standing pilot systems are generally assumed to be operating with the pilot on continuously. The appliances should not be restarted except in the event of a gas service interruption to the facility.

If a pilot flame does go out, here are the basic steps to check before you re-light the pilot:

1. Check to see that all gas lines are in place and secured and that there is no accumulation of gas inside the unit.
2. Check to make sure that the main shut off valve is in the off position.
3. Make sure the individual burner valves are in the off position.
4. Turn on or open the main shut off valve to the appliance.
5. Follow pilot lighting procedures applicable to your model. The pilot should ignite within a few attempts. You will be able to see the pilot flame on a hotplate under the protective pilot shield cast into the burner top grate. Pilot flames on griddles and broilers can be viewed through observation holes in the stainless steel front panel.

## Broilers:

- a. Light the pilots with a long match or taper through the opening(s) in the valve panel.
- b. Turn the burner valve on to the full position. A sharp flame should be about 1/4" high.
- c. To shut down turn all valves to the off position. If the appliance is to be shut down for an extended period of time, close the in-line gas valve.

## Hotplates:

- a. Pilots are easily accessible. Make sure the individual burner valve is in the off position, then use an open flame device, match, or BBQ lighter to ignite.

## Valve-control griddles:

- a. Make sure the individual valve control is in the off position.
- b. Use the piezo spark (or electric spark if your model has this option) button(s) to ignite the pilot.
- c. Once the pilot is lit you may now turn your valve control to the high or low flame setting.
- d. To shut down the main burner turn the valve to the off position.

## Thermostat-control griddle

- a. Make sure the individual valve is in the off position.
  - b. Use the piezo (or electric spark if your model has this option) button(s) to ignite the pilot.
  - c. Once the pilot is lit you may then set the thermostat to the desired cooking temperature.
  - d. To shut down turn individual on-off valve to off position.
6. If you do not have a pilot flame established fairly quickly and begin to smell gas, shut off the main valve and wait five minutes to let the gas build-up escape.
  7. Only once the pilot flame has been established should you turn on the burner control. When the burner control is on it allows gas flow to the burner. If there is no pilot flame it will allow gas to build up and cause possible delayed ignition, which could result in an explosion.

## Shutdown Procedure

To shutdown, turn all main burner valves to OFF position. If the appliance is to be shut down for an extended period of time, close the pilot valves, (gum valves), by turning their set screws clockwise. Finally, turn the manual valve on the main gas supply to the OFF position.

# MAINTENANCE & CLEANING

**NOTE:** Any maintenance or service involving disassembly of components should be made by a qualified service technician. Also, ensure gas supply to the appliance is shut off.

You have purchased the finest commercial cooking equipment available anywhere. Like any other fine precision built piece of equipment, it should be given regular care and maintenance.

Periodic inspections by your dealer or qualified service agency are recommended to check temperatures, adjustments and ensure moving parts are operative. Whenever possible, avoid overheating idle equipment as this is the primary cause for increased service costs.

When corresponding with the factory or your equipment dealer regarding service problems or replacement parts, be sure to refer to the particular model by the correct model number (including prefix and suffix letters and numbers) and the serial or code number. The rating plate affixed to the appliance contains this information.

## Seasoning

### Griddle (standard steel plate)

1. Remove all factory applied protective material by washing with hot water, mild detergent or soap solution.
2. Apply a thin coat of cooking oil to the griddle surface, about one ounce per square foot of griddle surface. Spread over the entire griddle surface with a cloth to create a thin film. Wipe off any excess oil with a cloth.
3. Light all burners, set at the lowest possible setting. Some discoloration will occur when heat is applied to steel.
4. Heat the griddle slowly for 15 to 20 minutes. Then wipe away oil. Repeat the procedure 2 to 3 times until the griddle has a slick, mirror like finish.

**IMPORTANT:** Do not set to a high position (on valve control) or 450° (on thermostat control) during "break-in" period

**NOTE:** Steel griddle surface will tone (blue discoloration) from heat. This toning will not diminish function or operation and it is not a defect.

The griddle will not require reseasoning if it is used properly. If the griddle is over heated and product begins to stick to the surface it may be necessary to repeat the seasoning process again. If the griddle is cleaned with soap and water it will be necessary to reseason the griddle surface.

### Griddle (optional chrome)

1. Remove all factory applied protective material by washing with hot water, mild detergent or soap solution.
2. A chrome plate griddle does not have a porous surface such as a steel griddle plate so seasoning is something you do not need to do but regular cleaning will ensure longer life for your griddle and better cooking results.
3. Turn griddle plate temperature setting to between 300 to 350 degrees F (149 to 177 deg. C). Pour water on the griddle ahead of a soft bristle brush. Then scrub the griddle clean sweeping the water and debris into the grease trough. This should remove much of the debris on the griddle.
4. For stubborn burnt on food use a mild nonabrasive cleaner with the water and a soft metal scraper.

### Cast Iron Top Grates (Hot Plates & Char-Broilers)

1. Wash the cast iron top grates thoroughly with a mild soap and warm water.
2. Dry the grates thoroughly with a clean cloth.
3. Immediately after drying, season the top grates lightly with a non-toxic oil, (liquid vegetable oil or spray oil).  
**WARNING: DO NOT SEASON THE GRATES WHILE THEY ARE INSTALLED ON THE APPLIANCE.** Seasoning grates over an open flame could cause a flash fire.
4. After seasoning, reinstall the grates. Turn all the burners on at their lowest setting. Allow the oil on the grates to burn off for at least 20 minutes before using.

RE-SEASONING OF THE GRATES WILL BE REQUIRED WHENEVER THEY HAVE BEEN CLEANED. FAILURE TO SEASON GRATES WILL RESULT IN RUSTING.

# MAINTENANCE & CLEANING

## Cleaning

### Griddle

To produce evenly cooked, browned griddle products, keep griddle free from carbonized grease. Carbonized grease on the surface hinders the transfer of heat from the griddle surface to food product. This results in uneven browning and loss of cooking efficiency, and worst of all, carbonized grease tends to cling to grilled foods, giving them a highly unsatisfactory and unappetizing appearance. To keep the griddle clean and operating at peak performance, follow these simple instructions:

- a. AFTER EACH USE clean griddle thoroughly with a grill scraper or spatula. Wipe off any excess debris left from cooking process.
- b. ONCE A DAY clean griddle surface with a grill brick and grill pad. Remove grease container and clean thoroughly, in the same manner as any ordinary cooking utensil.
- c. ONCE A WEEK clean griddle surface thoroughly. If necessary, use a grill stone or grill pad over the griddle surface. Rub with grain of the metal while still warm. A detergent may be used on the plate surface to help clean it, but care must be taken to be sure it is thoroughly removed. After removal of detergent, the surface of the plate should be covered with a thin film of oil to prevent rusting. To remove discolorations, use a non-abrasive cleaner. Before re-using, the griddle must be reseasoned. Keep griddle drain tube to grease container clear at all times.

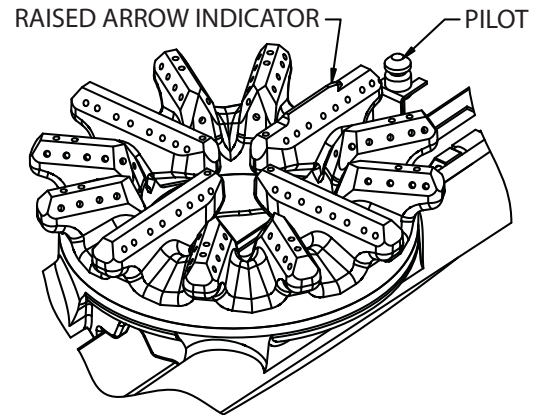
**CAUTION:** This griddle plate is steel, but the surface is relatively soft and can be scored or dented by careless use of spatula. Be careful not to dent, scratch, or gouge the plate surface. This will cause food to stick in those areas. Also, note, since this is a steel griddle if a light coating of oil is not always present rust will develop on exposed and uncoated areas.

### Open Top Burners

Cleaning of the open top burner is a simple procedure, and, if done at regular intervals, will prolong the life of the appliance and ensure good flame characteristics.

1. The most common problem with open burners is spillage. Once the burner ports are partially plugged with food, the air-to-gas mixture is disturbed and results in an inefficient burner.
2. Wipe any spills as they occur.
3. Top grates and trays should be removed daily, washed, rinsed and dried thoroughly.
4. Use a wire brush to clean the ports of the burners. Ignite and check for clogged holes.

5. If any clogged holes are apparent, the burner should be lifted out and brushed inside and out with a small Venturi brush. Each port on the burner itself should be cleaned with a properly sized wire or thumb drill. Wash with soap and hot water if grease is observed on the burners. Dry thoroughly.
6. When reinstalling the open top burner head be sure the burner ports are lined up correctly to the pilot. On the cast burner head there is a raised-arrow indicator to ensure the burner is installed correctly.



7. If an abnormal flame appears around the edges, it is usually a sign of grease or dirt in the throat of the burner. Remove the burner venturi (main body that the burner heads sit on) to access the air shutter opening. Remove grease and dirt from the air shutter area carefully. Do not adjust the shutter setting. The air shutter allows the proper amount of air to mix with the flow of gas coming in from your valve/thermostat orifice and should not be adjusted unless by a licensed gas fitter technician.

**ABOUT STEP-UP HOT PLATE BURNERS:** The step up cast burner housing is assembled at the factory with two locating pins to ensure that the housing can only be installed in the correct positions should they be removed for cleaning. One pin is located on the top of the housing to ensure the burner head is oriented correctly when installed so that the lighter finger is correctly pointing at the pilot flame. The second is located on the housing bottom and must fit into the slot on the burner support, otherwise the burner will not be stable.

### Cast Iron Top Grates

Cast iron top grate(s) can be cleaned with mild soap and warm water. For baked on material, a wire brush can be used. Dry thoroughly. Lightly coat with vegetable oil to help prevent rust from forming.

# MAINTENANCE & CLEANING

## Char-Broilers

Establish a regular cleaning schedule. It is necessary to avoid obstruction between grates and to allow proper combustion and performance.

1. Broiling grates should be wiped daily while still warm, using a heavy cloth or other grease absorbing material to remove grease and burnt food before they burn into the grid. Remove burnt materials, such as carbonized grease or food, with a stiff wire brush. Do Not use Any Type Of Steel wool. Small particles may be left on the grid surface and get into food products.

A common cleaning practice is to turn grates upside down to burn off the encrusted material. Do not do this with the radiant broilers! The flame from the burners is shielded by a cast iron radiant, which prevents flame from reaching the grates. It is likely that cooked-on matter will cook in even deeper rather than burn off.

2. Broiling grates should be washed thoroughly using a wire brush and a hot, mild detergent or soap solution. Rinse with clear, warm water.
3. Dry thoroughly.
4. Immediately after drying, season the top grates lightly with a non-toxic oil, (liquid vegetable oil or spray oil)

**RADIANT BROILERS:** Remove the radiants and wire brush them clean; then wash in hot soapy water. A rule of thumb is that if the grates are becoming encrusted, so are the radiants.

**CERAMIC BRIQUETTE BROILERS:** With the cooking grates removed, turn over all the briquettes and debris will burn off.

5. The front grease trough collects grease via downspout that empties into the drip tray. Additional grease which drips past the radiants or ceramic briquettes is also collected in the same drip tray. The tray must be checked frequently during operation and drained as necessary. Spills should be wiped as they occur and at end of each day the drip tray should be emptied, washed in hot soapy water, and thoroughly dried before reinstalling.

**NOTE:** Do not waste gas or abuse equipment by leaving valves at high temperature settings while not in use. Throughout all idling periods, set valves at low temperature setting to keep grids warm. Re-set valves as required for periods of heavy load. Turn valves to OFF at end of daily operation. When the broiler is running, never use objects such as sheet pans to cover the grates in order to hold in heat in an attempt to burn off grease or other debris.

## Stainless Steel

For routine cleaning, wash with a hot water and detergent solution. Wash just a small area at a time or the water will evaporate leaving the chemicals behind causing streaking.

Rinse the washed area with a clean sponge dipped in a sanitizing solution and wipe dry with a soft clean cloth before it can dry.

Use a paste (of water and a mild scouring powder) if you have to, but never rub against the grain. All stainless steel has been polished in one direction. Rub with the polish lines to preserve the original finish. Then thoroughly rinse as before.

To prevent fingerprints there are several stainless steel polishes on the market that leave an oily or waxy film. Do not use on surfaces that will be in contact with food.

Stainless steel may discolor if overheated. These stains can usually be removed by vigorous rubbing with a scouring powder paste.

Use only stainless steel, wood or plastic tools if necessary to scrape off heavy deposits of grease and oil. Do not use ordinary steel scrapers or knives, as particles of the iron may become imbedded and rust. NEVER USE STEEL WOOL.

Either a typical bleach solution or hot water can be used to sanitize stainless steel.

# **U.S. Range** Installation & Operation Manual

---

Heavy Duty Gas Counter Hot Plates, Griddles, & Char-Broilers



Part # 4531352 Rev 2 (09/09/13)





## INSTRUCTIONS D'INSTALLATION ET D'UTILISATION

### SÉRIE US RANGE UT ÉQUIPEMENT DE PLAN DE TRAVAIL AU GAZ POUR USAGE INTENSIF



Español..... Página 33

#### **POUR VOTRE SÉCURITÉ**

**NE PAS STOCKER NI UTILISER D'ESSENCE OU D'AUTRES VAPEURS OU LIQUIDES INFLAMMABLES À PROXIMITÉ DE CET APPAREIL OU DE TOUT AUTRE APPAREIL.**

#### **AVERTISSEMENT :**

**UNE INSTALLATION, DES RÉGLAGES, DES MODIFICATIONS, DES RÉPARATIONS OU UN ENTRETIEN MAL FAITS PEUVENT CAUSER DES DOMMAGES MATÉRIELS, DES BLESSURES OU LA MORT. LIRE SOIGNEUSEMENT LES INSTRUCTIONS D'INSTALLATION, D'UTILISATION ET D'ENTRETIEN AVANT D'INSTALLER OU DE RÉPARER L'ÉQUIPEMENT.**

LIRE TOUTES LES SECTIONS DU PRÉSENT MANUEL ET LE CONSERVER POUR S'Y REPORTER ULTÉRIEUREMENT.

CE PRODUIT A ÉTÉ HOMOLOGUÉ EN TANT QU'ÉQUIPEMENT PROFESSIONNEL DE CUISSON ET DOIT ÊTRE INSTALLÉ PAR DU PERSONNEL PROFESSIONNEL TEL QUE SPÉCIFIÉ.

DANS L'ÉTAT DU MASSACHUSETTS, CE PRODUIT DOIT ÊTRE INSTALLÉ PAR UN PLOMBIER OU UN MONTEUR D'INSTALLATION AU GAZ CERTIFIÉ. NUMÉRO D'APPROBATION : G-1-07-05-28

Pour votre sécurité :

Placer dans un endroit bien en vue les instructions à suivre en cas d'odeur de gaz détectée par l'utilisateur. Cette information peut être obtenue auprès du fournisseur de gaz local.

L'attention des utilisateurs est attirée sur le fait que l'entretien et les réparations doivent être effectués par un agent d'entretien autorisé par Garland/US Range utilisant des pièces de rechange d'origine Garland/US Range. Garland/US Range n'aura aucune obligation en ce qui concerne n'importe quel produit mal installé, réglé, utilisé ou qui n'aurait pas été entretenu conformément aux codes nationaux et locaux ou aux instructions d'installation fournies avec le produit ou n'importe quel produit dont le numéro de série aurait été mutilé, oblitéré ou supprimé ou qui aurait été modifié ou réparé avec des pièces non autorisées ou par des agents d'entretien non autorisés. Pour obtenir la liste des agents de service autorisés, consulter le site web de Garland/US Range à : <http://www.Garland/US Range-group.com>. Les renseignements contenus dans le présent document (y compris la conception et les spécifications des pièces) peuvent être remplacés ou modifiés sans préavis.

## **INFORMATIONS IMPORTANTES**

### **AVERTISSEMENT**

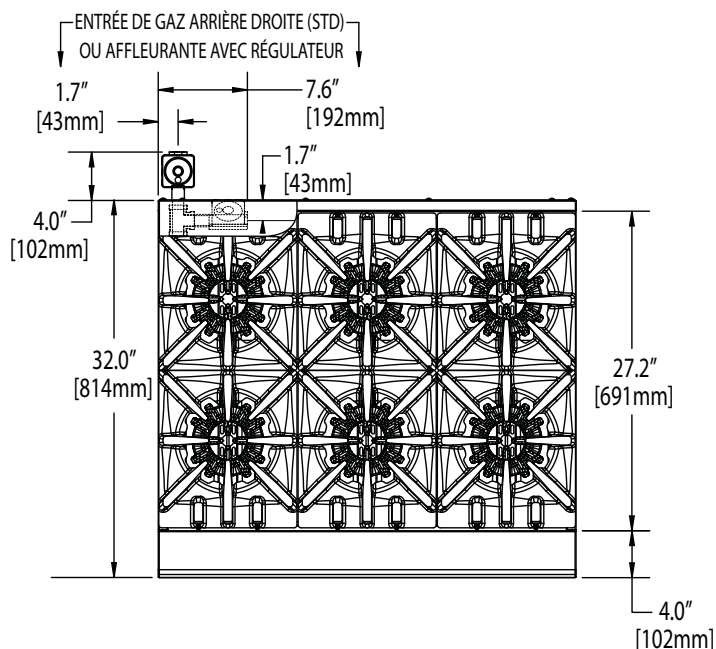
**Ce produit contient des produits chimiques reconnus par l'état de Californie comme causant le cancer et/ou des malformations congénitales ou d'autres problèmes de reproduction. L'installation et l'entretien de ce produit peut vous exposer aux poussières de laine de verre/fibres céramiques. L'inhalation de ces particules de laine de verre ou de fibres céramiques est reconnue par l'état de Californie comme causant le cancer. L'utilisation de ce produit peut vous exposer au monoxyde de carbone en cas de mauvais réglage. L'inhalation de monoxyde de carbone est reconnue par l'état de Californie comme pouvant causer des malformations congénitales ou d'autres problèmes reproductifs.**

**Maintenir les abords de l'appareil dégagés et ne pas y stocker de produits combustibles**

# TABLE DES MATIÈRES

<b>SPÉCIFICATIONS : PLAQUES CHAUFFANTES</b> .....	<b>20</b>
<b>SPÉCIFICATIONS : PLAQUES CHAUFFANTES ÉTAGÉES</b> .....	<b>21</b>
<b>SPÉCIFICATIONS : RÔTISSOIRES À BRIQUETTES EN CÉRAMIQUE</b> .....	<b>22</b>
<b>SPÉCIFICATIONS : RÔTISSOIRES RADIANTES TYPE CHARBON DE BOIS</b> .....	<b>23</b>
<b>SPÉCIFICATIONS : GRILS</b> .....	<b>24</b>
<b>PRÉINSTALLATION</b> .....	<b>25</b>
Vérification des dommages : .....	25
Plaque signalétique .....	25
<b>INSTALLATION</b> .....	<b>25</b>
Généralités .....	25
Connexion du gaz .....	25
Installation des pieds .....	26
Ventilation .....	27
Alimentation en air .....	27
<b>RÉGLAGES</b> .....	<b>27</b>
Réglage des brûleurs – Toutes les unités .....	27
<b>UTILISATION DE TOUS LES MODÈLES</b> .....	<b>28</b>
Allumage des veilleuses permanentes – Tous modèles .....	28
Procédure d'arrêt .....	28
<b>ENTRETIEN ET NETTOYAGE</b> .....	<b>29</b>
Apprêtage .....	29
Gril (plaque d'acier standard) .....	29
Gril (chrome optionnel) .....	29
Grilles supérieures en fonte (Plaque chauffantes et rôtissoires type charbon de bois) .....	29
Nettoyage .....	30
Gril .....	30
Grilles supérieures en fonte .....	31
Rôtissoires type charbon de bois .....	31
Acier inoxydable .....	31

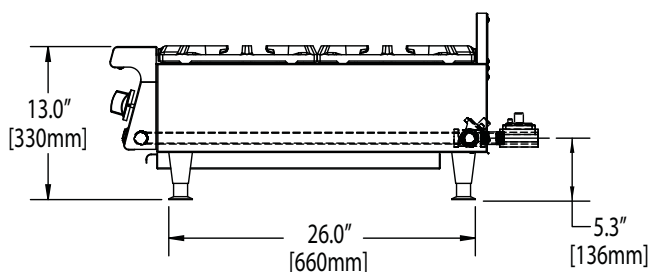
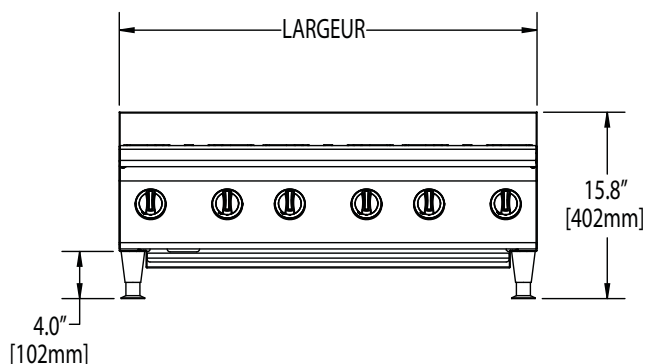
# SPÉCIFICATIONS : PLAQUES CHAUFFANTES



Utilisation avec gaz naturel et propane seulement.

Les indications de débit calorifique pour le gaz s'appliquent à des installations inférieures à 2 000 pi (610 m) d'altitude au-dessus du niveau de la mer. Prière de spécifier les altitudes supérieures à 2 000 pieds et le type de gaz lors de la commande.

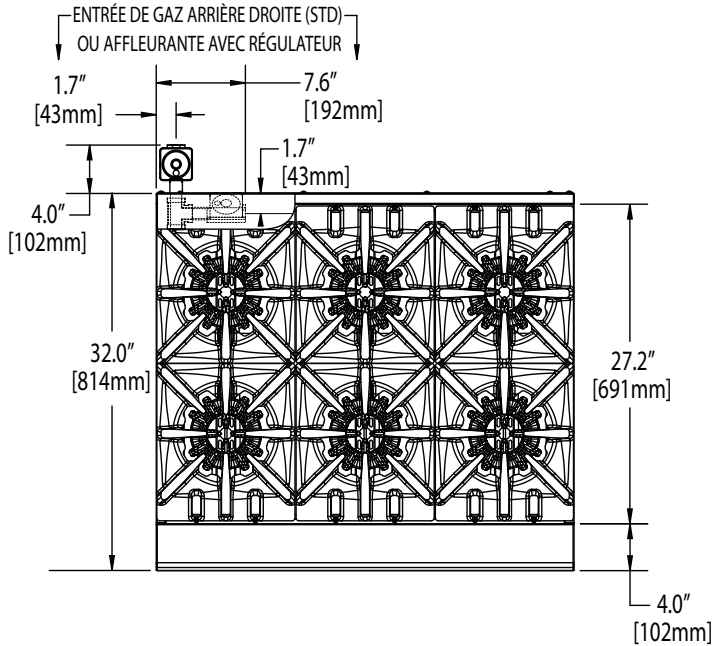
Les produits Garland/U.S. Range ne sont pas agréés ni autorisés pour une utilisation personnelle ou résidentielle, mais sont destinés à des applications commerciales seulement. Garland / U.S. Range n'offre pas de services de réparation, garantie, entretien ou soutien de n'importe quelle sorte pour des applications autres que commerciales.



Modèle n°	Largeur po (mm)	Hauteur (avec pieds std)	Profondeur po (mm)	Débit calorifique total (BTU/h)		Informations d'expédition	
				NAT	PRO	Lbs/Kg	Cu Ft
UTOG12-2	11-13/16 (300)	13 (330)	32 (814)	60,000	52,000	73/33	4
UTOG24-4	23-5/8 (600)			120,000	104,000	135/61	8
UTOG36-6	35-7/16 (900)			180,000	156,000	191/87	25
UTOG48-8	47-1/4 (1200)			240,000	208,000	247/112	33

PRESSION DE FONCTIONNEMENT DE L'ALIMENTATION				PRESSION DE FONCTIONNEMENT DU COLLECTEUR				DÉGAGEMENTS	
GAZ NATUREL		PROPANE		GAZ NATUREL		PROPANE		INSTALLATION SELON LE COMBUSTIBLE	
"WC	MBar	"WC	Mbar	"WC	MBar	"WC	Mbar	Côtés	Arrière
7	17.5	11	27.5	4.5	11	10	24.5	7" (178mm)	6" (152mm)

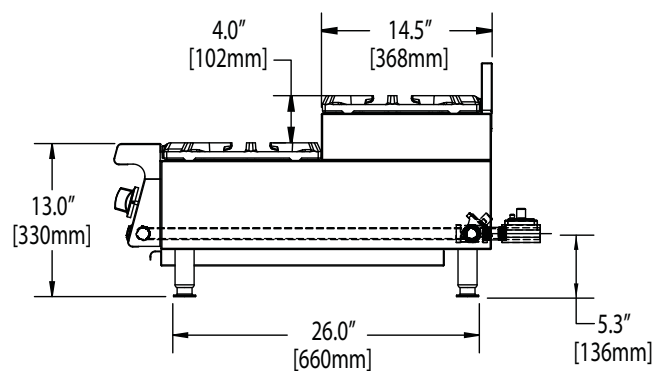
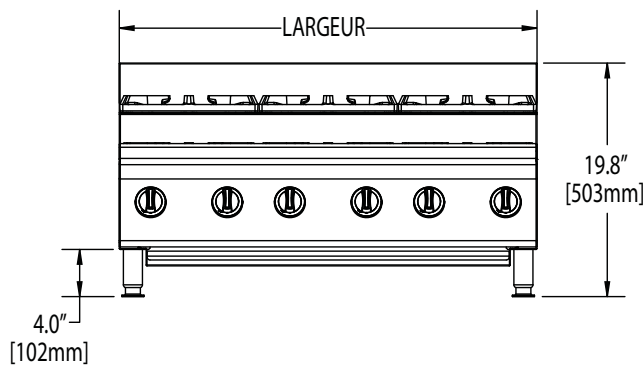
# SPÉCIFICATIONS : PLAQUES CHAUFFANTES ÉTAGÉES



Utilisation avec gaz naturel et propane seulement.

Les indications de débit calorifique pour le gaz s'appliquent à des installations inférieures à 2 000 pi (610 m) d'altitude au-dessus du niveau de la mer. Prière de spécifier les altitudes supérieures à 2 000 pieds et le type de gaz lors de la commande.

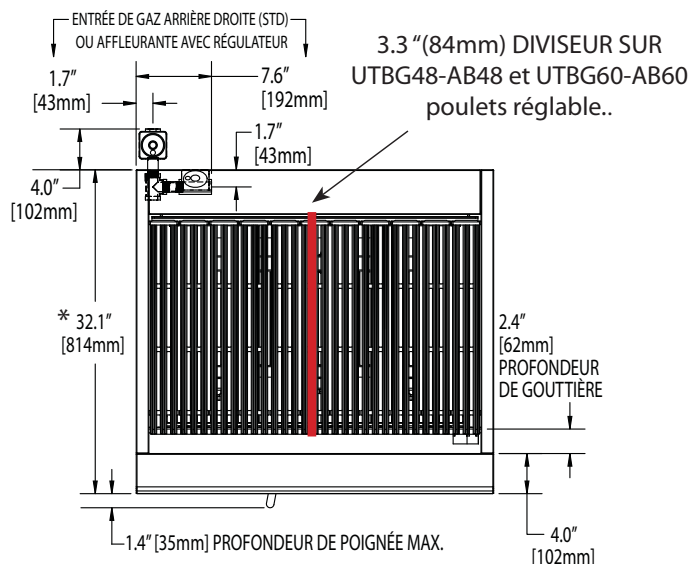
Les produits Garland/U.S. Range ne sont pas agréés ni autorisés pour une utilisation personnelle ou résidentielle, mais sont destinés à des applications commerciales seulement. Garland / U.S. Range n'offre pas de services de réparation, garantie, entretien ou soutien de n'importe quelle sorte pour des applications autres que commerciales.



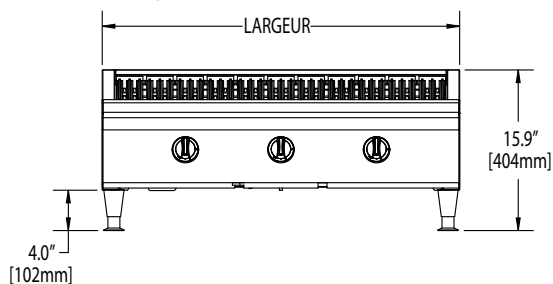
Modèle n°	Largeur po (mm)	Hauteur (avec pieds std)	Profondeur po (mm)	Débit calorifique total (BTU/h)		Informations d'expédition	
				NAT	PRO	Lbs/Kg	Cu Ft
UTOG24-SU4	23-5/8 (600)	19-13/16 (503)	32 (814)	120,000	108,000	135/61	8
UTOG36-SU6	35-7/16 (900)			180,000	162,000	191/87	25
UTOG48-SU8	47-1/4 (1200)			240,000	216,000	247/112	33

PRESSION DE FONCTIONNEMENT DE L'ALIMENTATION				PRESSION DE FONCTIONNEMENT DU COLLECTEUR				DÉGAGEMENTS	
GAZ NATUREL		PROPANE		GAZ NATUREL		PROPANE		INSTALLATION SELON LE COMBUSTIBLE	
"WC	MBar	"WC	Mbar	"WC	MBar	"WC	Mbar	Côtés	Arrière
7	17.5	11	27.5	4.5	11	10	24.5	7" (178mm)	6" (152mm)

# SPÉCIFICATIONS : RÔTISSOIRES À BRIQUETTES EN CÉRAMIQUE



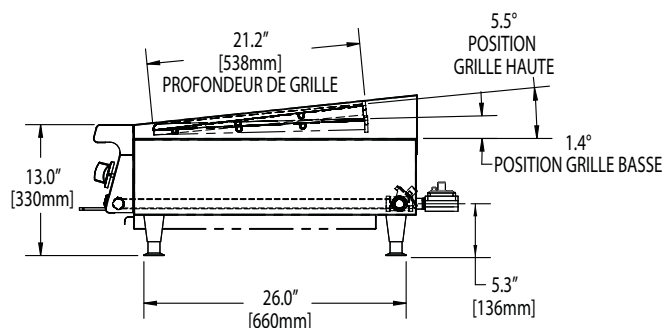
\* S'il vous plaît, ajouter 5" (127mm) dans la profondeur globale avec l'option rail de fixation condiment..



Utilisation avec gaz naturel et propane seulement.

Les indications de débit calorifique pour le gaz s'appliquent à des installations inférieures à 2 000 pi (610 m) d'altitude au-dessus du niveau de la mer. Prière de spécifier les altitudes supérieures à 2 000 pieds et le type de gaz lors de la commande.

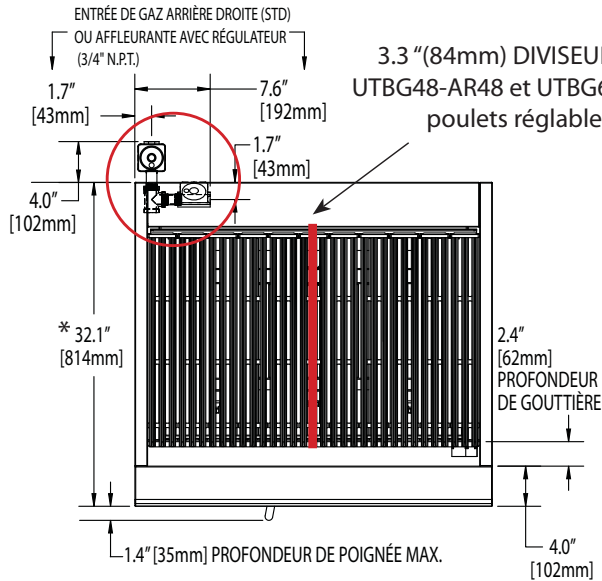
Les produits Garland/U.S. Range ne sont pas agréés ni autorisés pour une utilisation personnelle ou résidentielle, mais sont destinés à des applications commerciales seulement. Garland / U.S. Range n'offre pas de services de réparation, garantie, entretien ou soutien de n'importe quelle sorte pour des applications autres que commerciales.



Modèle n°	Largeur po (mm)	Hauteur (avec pieds std)	Profondeur po (mm)	Débit calorifique total (BTU/h)		Informations d'expédition	
				NAT	PRO	Lbs/Kg	Cu Ft
UTBG24-AB24	23-5/8 (600)	13 (330)	32 (814)	60,000	283/129	19	4
UTBG36-AB36	35-7/16 (900)			90,000	391/178	26	8
UTBG48-AB48	47-1/4 (1200)			120,000	514/283	34	25
UTBG60-AB60	59-1/16 (1500)			150,000	635/288	41	33

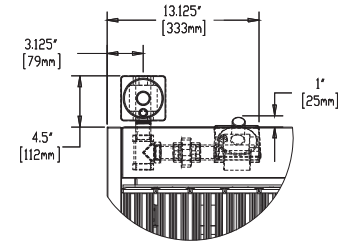
PRESSION DE FONCTIONNEMENT DE L'ALIMENTATION				PRESSION DE FONCTIONNEMENT DU COLLECTEUR				DÉGAGEMENTS D'INSTALLATION	
GAZ NATUREL		PROPANE		GAZ NATUREL		PROPANE		DÉGAGEMENT 0 PO POUR INSTALLATION DANS DES EMPLACEMENTS INCOMBUSTIBLES UNIQUEMENT	
"WC	MBar	"WC	Mbar	"WC	MBar	"WC	Mbar		
7	17.5	11	27.5	4.5	11	10	24.5		

# SPÉCIFICATIONS : RÔTISSOIRES RADIANTES TYPE CHARBON DE BOIS

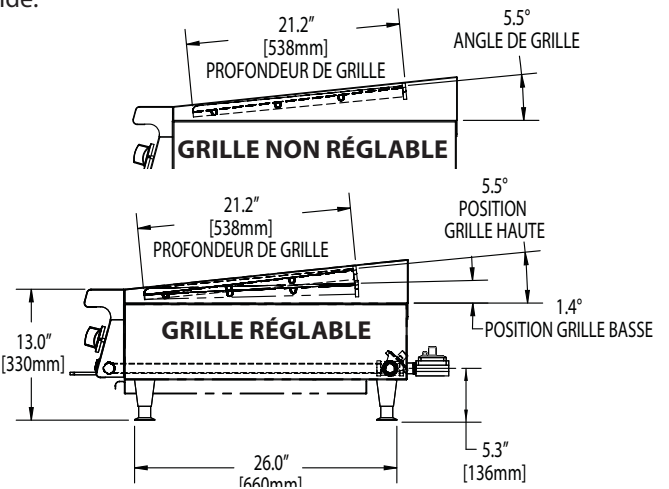
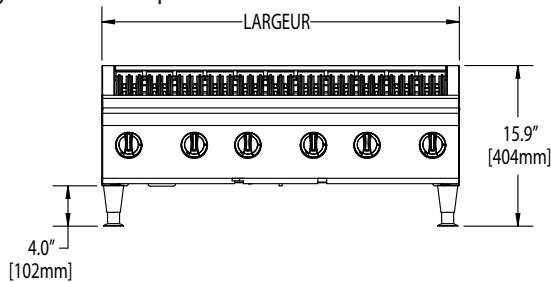


INTOXIQUEZ les OPTIONS de RACCORDEMENT POUR le MODÈLE UTBG72-NR72 1" DIRECTEMENT (DST) OU PRESQUE AFFLEURANT ; ADMISSION ARRIÈRE w/ REGULATOR de GAZ de N.P.T.

Utilisation avec gaz naturel et propane seulement.  
Les indications de débit calorifique pour le gaz s'appliquent à des installations inférieures à 2 000 pi (610 m) d'altitude au-dessus du niveau de la mer. Prière de spécifier les altitudes supérieures à 2 000 pieds et le type de gaz lors de la commande.



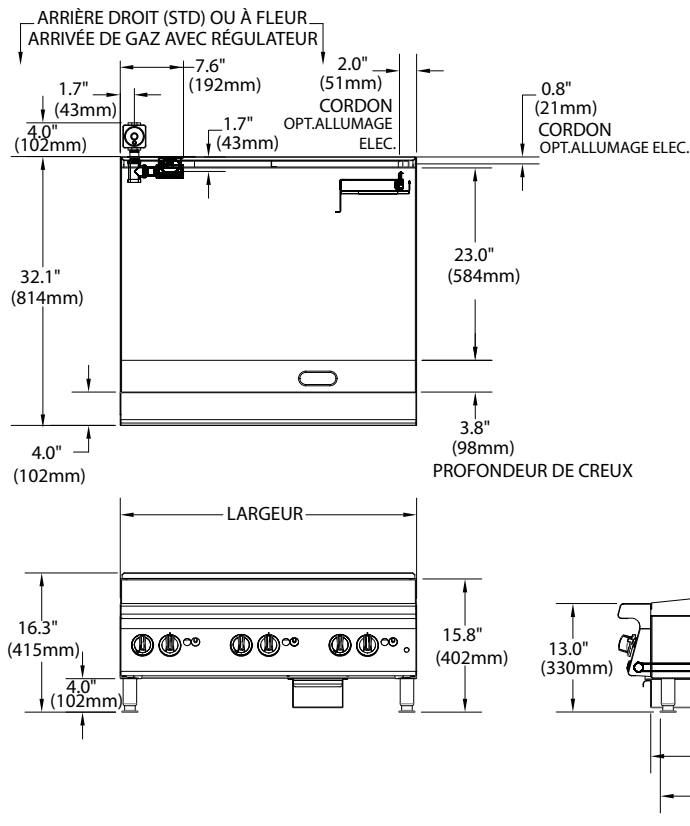
\* S'il vous plaît, ajouter 5" (127mm) dans la profondeur globale avec l'option rail de fixation condiment..



Modèle n°	Largeur po (mm)	Hauteur (avec pieds std)	Profondeur po (mm)	Débit calorifique total (BTU/h)	Informations d'expédition	
					Lbs/Kg	Cu Ft
<b>AVEC GRILLES RÉGLABLE</b>						
UTBG24-AR24	23-5/8 (600)	13 (330)	32 (814)	72,000	283/129	19
UTBG36-AR36	35-7/16 (900)			108,000	391/178	26
UTBG48-AR48	47-1/4 (1200)			144,000	514/283	34
UTBG60-AR60	59-1/16 (1500)			180,000	635/288	41
<b>AVEC GRILLES NON RÉGLABLE</b>						
UTBG24-NR24	23-5/8 (600)	13 (330)	32 (814)	72,000	283/129	18
UTBG36-NR36	35-7/16 (900)			108,000	391/178	25
UTBG48-NR48	47-1/4 (1200)			144,000	514/283	33
UTBG60-NR60	59-1/16 (1500)			180,000	635/288	40
UTBG72-NR72	70 7/8(1800)			216,000	690/313	47

PRESSION DE FONCTIONNEMENT DE L'ALIMENTATION				PRESSION DE FONCTIONNEMENT DU COLLECTEUR				DÉGAGEMENTS D'INSTALLATION
GAZ NATUREL		PROPANE		GAZ NATUREL		PROPANE		
"WC	MBar	"WC	Mbar	"WC	MBar	"WC	Mbar	
								DÉGAGEMENT 0 PO POUR INSTALLATION DANS DES EMPLACEMENTS INCOMBUSTIBLES UNIQUEMENT

# SPÉCIFICATIONS : GRILS



Pour une utilisation avec du gaz naturel ou du propane uniquement. Valeurs nominales d'arrivée de gaz indiquées pour les installations jusqu'à 610 m (2000 ft) au-dessus du niveau de la mer. Veuillez spécifier les altitudes au-dessus de 610 m et le type de gaz nécessaire lors de la commande.

Les produits Garland/U.S. Range ne sont pas approuvés ou autorisés pour une utilisation à la maison ou une utilisation commerciale uniquement.

Garland/U.S. Range ne fournira pas le service, la garantie, la maintenance ou le soutien de toute nature autre que pour des applications commerciales.

\* Veuillez ajouter 7" (178 mm) de profondeur totale avec l'accessoire en option de rampe de condiments.

N° de modèle :	Largeur En (mm)	Hauteur (Avec pieds standard)	Profondeur En (mm)	Total en entrée (BTU)	Informations d'expédition	
					Lbs/Kg	Cu Ft
<b>Plaques de chauffantes standard à contrôle par thermostat (plaque d'acier de 25 mm (1po))</b>						
UTGG24-GT24M	23-5/8 (600)	13 (330)	32 (814)	56,000	290/132	21
UTGG36-GT36M	35-7/16 (900)			84,000	405/184	29
UTGG48-GT48M	47-1/4 (1200)			112,000	595/270	37
UTGG60-GT60M	59-1/16 (1500)			140,000	705/320	42
UTGG72-GT72M	70-7/8 (1800)			168,000	810/368	50
<b>Plaques de chauffantes standard à contrôle manuel (plaque d'acier de 25 mm (1po))</b>						
UTGG24-G24M	23-5/8 (600)	13 (330)	32 (814)	54,000	280/127	21
UTGG36-G36M	35-7/16 (900)			81,000	395/180	29
UTGG48-G48M	47-1/4 (1200)			108,000	585/266	37
UTGG60-G60M	59-1/16 (1500)			135,000	688/313	42
UTGG72-G72M	70-7/8 (1800)			162,000	790/359	50

PRESSION D'ALIMENTATION EN FONCTIONNEMENT				PRESSION D'ALIMENTATION DE LA RAMPE DE GAZ				ZONES DE DÉGAGEMENT	
GAZ NATUREL		PROPANE		GAZ NATUREL		PROPANE		INSTALLATION DE COMBUSTIBLE	
"WC	MBar	"WC	Mbar	"WC	MBar	"WC	Mbar	Sides	Rear
7	17.5	11	27.5	4.5	11	10	24.5	152 mm (6 po)	152 mm (6 po)



# PRÉINSTALLATION

## Vérification Des Dommages

Vérification des dommages : Vérifiez l'emballage ou la boîte pour des éventuels dommages encourus lors de l'expédition. Après avoir soigneusement retiré l'emballage, vérifiez la présence de dommages « cachés ». Signalez immédiatement tout dommage à votre transporteur.

## Plaque Signalétique

L'emplacement de la plaque signalétique est apposé sur un support monté à l'arrière de l'unité, mais visible de l'avant. Le tiroir de graisse doit éventuellement être déposé pour pouvoir la visualiser plaque signalétique.

Le type correct de gaz pour laquelle l'unité a été fabriquée est noté sur la plaque signalétique, et ce type de gaz doivent être utilisés.

Lors des communications avec le fabricant ou votre centre de services local autorisé par le fabricant concernant des problèmes relatifs au service ou pour les pièces de remplacements, assurez-vous d'avoir les informations concernant le numéro du modèle de l'appareil (incluant les lettres et numéros du préfixe et du suffixe) ainsi que le numéro de série correspondant à la garantie. La plaque signalétique apposée sur l'appareil contient cette information.

Nous suggérons que l'installation, la maintenance et les réparations doivent être effectuées par une agence d'entretien qualifiée autorisée figurant dans votre brochure du manuel d'information.

Dans le cas où vous avez des questions concernant l'installation, l'utilisation, la maintenance ou le service après-vente du produit, écrivez ou appelez notre département de service produit.

# INSTALLATION

## Généralités

1. Retirer avec précaution l'appareil du carton ou de la caisse. Retirer de l'appareil les fils d'attache des brûleurs et le matériel d'emballage. Sur les appareils en acier inoxydable, le matériau de protection couvrant l'acier inoxydable doit être retiré immédiatement après l'installation des appareils.
2. Retirer les grilles supérieures et les placer dans un endroit sûr pour qu'elles ne soient pas endommagées.
3. Ces unités doivent être installées avec un système de ventilation adéquat. Pour des instructions complémentaires, se reporter à la section intitulée Ventilation.
4. Tous les réglages des brûleurs doivent être faits par un technicien qualifié spécialiste des appareils à gaz.

## Connexion du gaz

Consulter la compagnie locale de gaz au moment de la planification de l'installation de façon à établir la disponibilité d'une alimentation en gaz suffisante et de s'assurer que le compteur correspond au débit nécessaire. La canalisation entre le compteur et les appareils doit être de diamètre approprié.

Tous les appareils fixes (non mobiles) DOIVENT être équipés d'un robinet de gaz manuel en amont de l'appareil pour pouvoir isoler l'appareil lors de toute intervention d'entretien ou de nettoyage. Un raccord union ou tout autre moyen de déconnexion doit être installé entre le robinet de gaz et l'appareil.

Un robinet à commande manuelle doit être installé sur l'arrivée de gaz dans la cuisine pour permettre d'isoler la cuisine en cas d'urgence. Chaque fois que cela est possible, ce robinet sera installé soit à l'extérieur de la cuisine ou près d'une sortie dans un endroit facile d'accès.

Lorsque cela est impossible, un système automatique de robinet d'isolement doit être installé à un endroit facile d'accès près de la sortie.

L'avertissement suivant DOIT être affiché à l'endroit d'installation du robinet d'isolement ou du système automatique :

**«TOUS LES ROBINETS DE BRÛLEURS ET DE VEILLEUSES EN AMONT DOIVENT ÊTRE MIS EN POSITION D'ARRÊT AVANT D'OUVRIER L'ALIMENTATION. APRÈS UN PÉRIODE D'ARRÊT PROLONGÉE. PURGER AVANT DE REBRANCHER LE GAZ».**

# INSTALLATION

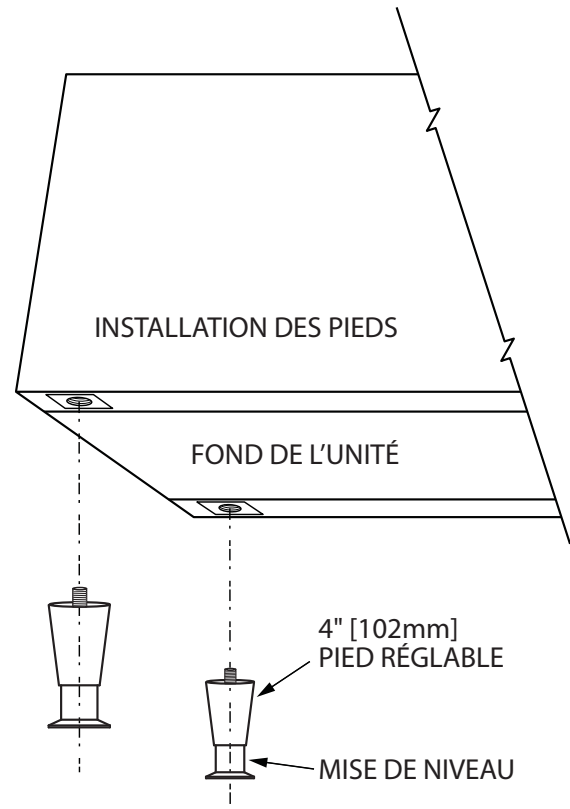
1. L'installation et les connexions doivent être conformes aux codes locaux ou, en l'absence de codes locaux, au Code d'installation CAN/CGA-B149 ou au national Fuel Gas Code, ANSI Z223.1/NFPA No. 54 – dernière édition
2. Le type correct de gaz pour lequel l'appareil a été fabriqué est noté sur la plaque signalétique et il est nécessaire d'utiliser ce type de gaz.
3. S'il s'agit d'une installation neuve, faire vérifier par un technicien qualifié en matière de gaz la taille du compteur et des conduites afin de s'assurer que l'appareil reçoit une quantité de gaz suffisante à la pression spécifiée pour fonctionner correctement
4. Il est nécessaire de vérifier la pression du gaz quand l'appareil est installé, pour s'assurer que la pression d'alimentation de l'appareil est identique à celle indiquée sur la plaque signalétique. Si nécessaire, les réglages de pression peuvent être effectués au régulateur de pression fourni sur chaque appareil.

**REMARQUE :** Lors de l'installation d'un raccord de régulateur de pression encastré (pour permettre les installations d'équipement contre un mur incombustible), un tuyau de gaz souple homologué et un système de débranchement rapide sont nécessaires pour pouvoir déplacer l'unité dans le cas où un réglage du régulateur de pression du gaz est nécessaire.

5. Faire vérifier la pression du gaz par un technicien qualifié afin de s'assurer que les installations de gaz existantes (compteur, tuyauteries, etc.) fourniront les BTU dont l'unité a besoin avec une chute de pression ne dépassant pas ½ po de colonne d'eau. Pour vérifier la pression, s'assurer que tout l'équipement branché sur la conduite de gaz est en position de fonctionnement.
6. Cet appareil et son robinet d'arrêt du gaz individuel doivent être débranchés du système d'alimentation en gaz lors de tout essai de pression de ce système à des pressions dépassant ½ lb/po<sup>2</sup> (3,45 kPa)
7. Cet appareil doit être isolé du système d'alimentation en gaz en fermant son robinet d'arrêt individuel lors de tout essai de pression du système d'alimentation en gaz à des pressions d'essai supérieures ou égales à ½ lb/po<sup>2</sup> (3,45 kPa)
8. S'assurer que les tuyauteries, joints et branchements neufs ont été exécutés proprement et ont été purgés de façon à ce que la graisse à filetage, les copeaux, etc. ne bouchent pas les veilles, robinets et/ou les commandes. Utiliser du produit d'étanchéité pour joint homologué pour une utilisation avec le gaz de pétrole liquéfié.
9. **AVERTISSEMENT :** Vérifier les fuites de gaz sur les raccords avec une solution savonneuse ou des méthodes similaires. **Ne pas vérifier avec une flamme nue.**

## Installation des pieds

Votre nouvel appareil a été livré avec réglables de 4 po (102 mm). Ces pieds sont vissés dans les trous sous l'appareil. Une fois les pieds installés, tourner le boulon de mise de niveau en bas du pied.



Mettre l'appareil de niveau en ajustant les boulons de mise à niveau ou les pieds. Utiliser un niveau à bulle et vérifier le niveau dans quatre directions : en travers à l'avant et à l'arrière et verticalement sur les bords de droite et de gauche. Mettre toutes les unités de niveau avec la première. Un gril risque de ne pas reposer uniformément sur l'appareil dans le cas où celui-ci n'est pas bien de niveau.

# INSTALLATION

## Ventilation

**Les exigences de ventilation peuvent être soumises aux codes locaux de la construction et des incendies. Consulter les autorités locales responsables.**

L'équipement de comptoir doit être installé dans un endroit où les installations de ventilation assurent une combustion satisfaisante du gaz et une aération correcte. Une ventilation correcte est impérative pour un bon fonctionnement de l'appareil. La méthode idéale de ventilation de l'équipement de comptoir est l'utilisation d'une hotte de ventilation correctement conçue, qui devrait se prolonger d'au moins 6 po (152 mm) sur tous les côtés de l'appareil (sauf contre le mur si la hotte est installée sur le mur). Elle fait habituellement partie d'un système d'évacuation mécanique.

## Alimentation en air

1. Il est nécessaire de laisser entrer dans la pièce suffisamment d'air pour compenser l'air évacué par le système de ventilation. Dans le cas contraire, la pression deviendrait inférieure à la pression atmosphérique, ce qui nuirait au bon fonctionnement de l'appareil et causerait des conditions de travail indésirables.
2. Les appareils seront placés de façon à ne pas empêcher une bonne circulation de l'air dans un endroit confiné. Tous les brûleurs à gaz et veilleuses ont besoin de suffisamment d'air pour fonctionner.
3. Ne pas placer d'objets encombrants devant l'appareil, car ils pourraient obstruer l'admission d'air par l'avant. Ne pas obstruer la circulation d'air de combustion et de ventilation.
4. Éviter que des ventilateurs soufflent directement sur l'appareil et, dans la mesure du possible, éviter d'ouvrir des fenêtres près des côtés et de l'arrière de l'appareil et éviter également les ventilateurs muraux qui créent des courants d'air dans la pièce.

# RÉGLAGES

## Réglage des brûleurs – Toutes les unités

1. Avant d'effectuer des réglages, tourner tous les robinets de gaz à « OFF ». Retirer les fils d'attache des brûleurs si cela n'est pas déjà fait. S'assurer que toutes les canalisations sont étanches et que l'air a été purgé des conduites.
2. Tous les appareils sont expédiés de l'usine avec des débits calorifiques réglés pour le gaz indiqué sur la plaque signalétique, à la pression normale du gaz. Le seul réglage à faire est celui de l'air d'appoint.

Réglage de l'air Si nécessaire, on peut régler l'air en tournant l'obturateur d'air sur le brûleur. Le brûleur doit recevoir suffisamment d'air pour que les extrémités des flammes ne soient pas jaunes, mais pas trop pour que les flammes ne décollent pas des orifices des brûleurs. Bien serrer la vis d'obturateur d'air de façon à ce que celui-ci ne puisse pas être dérégulé.

**REMARQUE :** Tous les réglages doivent être faits par un technicien qualifié spécialiste des appareils à gaz.

# FONCTIONNEMENT: TOUS LES MODÈLES

## Veilleuse permanente d'allumage - Tous les modèles

Après que l'appareil ait été installé par une personne du métier du gaz sous licence, toutes les connexions, les veilleuses et les contrôles ont été inspectés pour un fonctionnement correct. Tous les appareils à gaz qui utilisent des systèmes de veilleuse permanente sont généralement censés fonctionner avec la veilleuse de façon continue. Les appareils ne doivent pas être redémarrés, sauf dans le cas d'une interruption de service du gaz dans les installations.

Si la flamme de la veilleuse s'éteint, voici les étapes fondamentales pour vérifier avant que vous ne rallumiez la veilleuse:

- 1 Vérifiez que toutes les conduites de gaz sont en place et bien fixées et qu'il n'y a pas d'accumulation de gaz à l'intérieur de l'appareil.
- 2 Vérifiez que le robinet d'arrêt principal est sur la position arrêt (off).
- 3 Assurez-vous que les valves de brûleurs individuelles sont en position d'arrêt
- 4 Allumez ou ouvrez la vanne principale d'arrêt de l'appareil.
- 5 Suivez les procédures applicables à votre modèle pour l'allumage de la veilleuse. La veilleuse doit s'allumer après quelques tentatives. Vous serez en mesure de voir la flamme de la veilleuse pour une plaque chaude sous l'écran de protection de la veilleuse moulé dans la grille supérieure du brûleur. Les flammes des veilleuses des plaques chauffantes et des rôtissoires peuvent être visualisées par l'observation des trous dans le panneau avant en acier inoxydable.

### Rôtissoires :

- a. Allumer les veilleuses avec une longue allumette ou une mèche à travers l'ouverture du panneau des robinets.
- b. Ouvrir complètement le robinet du brûleur. La flamme, d'un bleu vif, devrait avoir une hauteur d'environ ¼ po.
- c. Pour éteindre, fermer tous les robinets. Si l'appareil doit être arrêté pour une période de temps prolongée, fermer le robinet de gaz de la conduite.

### Plaques chauffantes :

- a. Les veilleuses sont facilement accessibles. Vérifier que le robinet du brûleur individuel est fermé, puis utiliser un appareil à flamme nue, une allumette ou un briquet pour allumer.

## Commande des vannes des plaques chauffantes:

- a. Assurez-vous que la commande des vannes individuelles est en position arrêt.
- b. Utilisez le ou les boutons d'allumage piézo-électrique (ou bougies d'allumage électrique si votre modèle dispose de cette option) pour allumer la veilleuse.
- c. Une fois que la veilleuse est allumée, vous pouvez maintenant mettre votre commande de vanne sur la position de la flamme haute ou basse.
- d. Pour arrêter le brûleur principal, tournez le robinet en position arrêt.

## Commande des thermostats des plaques chauffantes:

- a. Assurez-vous que la commande des vannes individuelles est en position arrêt.
  - b. Utilisez le ou les boutons d'allumage piézo électrique (ou bougies d'allumage électrique si votre modèle dispose de cette option) pour allumer la veilleuse.
  - c. Une fois que le pilote est allumé, vous pouvez ensuite régler le thermostat à la température de cuisson souhaitée.
  - d. Pour éteindre, tournez les valves individuelles en position de fermeture.
6. Si vous n'avez pas de flamme de veilleuse établie relativement rapidement et vous commencez à sentir une odeur de gaz, coupez la vanne principale et attendez cinq minutes pour laisser l'accumulation de gaz s'évacuer.
  7. C'est seulement une fois que la flamme de la veilleuse est établie que vous devez tourner la commande du brûleur. Lorsque la commande du brûleur est sur marche, elle permet débit de gaz d'aller au brûleur. S'il n'y a pas de flamme de la veilleuse, cela permettra au gaz de s'accumuler et de provoquer un allumage retardé possible, ce qui peut provoquer une explosion.

### Procédure d'arrêt

Pour arrêter, placez toutes les vannes de commande du brûleur principal en position ARRÊT. Si l'appareil doit être arrêté pour une période de temps prolongée, fermez les vannes des veilleuses, (vannes gommées), en tournant la vis de réglage dans le sens horaire. Enfin, tournez la vanne manuelle de l'alimentation principale de gaz en position ARRÊT.

# ENTRETIEN ET NETTOYAGE

**NOTA :** Tout entretien ou réparation impliquant le démontage de composants devra être effectué par un technicien d'entretien qualifié. Vérifier également que l'alimentation en gaz de l'appareil est coupée.

Vous avez acheté le meilleur équipement commercial de cuisson au monde. Comme tout autre équipement fabriqué avec précision, il devra être nettoyé et entretenu de façon régulière.

Des inspections périodiques par le concessionnaire ou une agence d'entretien qualifiée sont recommandées pour vérifier les températures, les réglages et s'assurer que les pièces mobiles fonctionnent correctement. Si possible, éviter de surchauffer l'équipement inutilisé, car cela représente la principale cause de coûts d'entretien.

Pour correspondre avec l'usine ou votre concessionnaire en équipement concernant des problèmes de service ou des pièces de rechange, bien faire référence à l'appareil avec le numéro de modèle correct (comprenant les lettres et chiffres du préfixe et du suffixe) et le numéro de série ou de code. La plaque signalétique fixée à l'appareil contient ces renseignements.

## Apprêtage

### Gril (plaque d'acier standard)

1. Éliminer tout produit de protection appliqué en usine en lavant avec de l'eau très chaude et un détergent doux ou une solution savonneuse.
2. Appliquer une mince couche d'huile à friture sur la surface du gril ; environ une once par pied carré de surface du gril. L'étaler sur toute la surface du gril avec un torchon pour créer une mince couche. Essuyer tout excès avec un torchon.
3. Allumer tous les brûleurs et les régler le plus bas possible. Une certaine décoloration peut se produire quand l'acier est chauffé.
3. Chauffer le gril lentement pendant 15 à 20 minutes. Essuyer ensuite l'huile. Répéter la procédure 2 à 3 fois jusqu'à ce que le gril ait un aspect brillant, comme un miroir.

**IMPORTANT :** Ne pas régler en position «High» (sur la commande de robinet) ou sur 450 ° (sur la commande thermostatique) pendant la période d'«apprêt».

**NOTA :** La chaleur cause une décoloration de la surface en acier du gril (bleu). Cette patine ne diminue pas le fonctionnement ni l'utilisation et ne constitue pas un défaut.

Le gril n'aura pas besoin d'un nouvel apprêt s'il est utilisé correctement. Si le gril est surchauffé et si les aliments commencent à coller à la surface, il peut être nécessaire de recommencer la procédure d'apprêt. Si le gril est nettoyé avec de l'eau et du savon, il sera nécessaire de réapprêter la surface du gril.

### Gril (chrome optionnel)

1. Éliminer tout produit de protection appliqué en usine en lavant avec de l'eau très chaude et un détergent doux ou une solution savonneuse.
2. Un gril à plaque chromée n'a pas de surface poreuse comme une plaque de gril en acier et il n'est donc pas nécessaire de faire un apprêtage, mais un nettoyage régulier prolongera la durée de vie du gril et donnera de meilleurs résultats culinaires.
3. Régler la température de la plaque du gril entre 300 et 350 degrés F (149 et 177 degrés C). Verser de l'eau sur le gril devant une brosse à poils souples. Frotter ensuite le gril en poussant l'eau et les débris dans la gouttière à graisse. Cela devrait éliminer une grande partie des débris du gril.
4. Pour les résidus alimentaires rebelles, utiliser un produit de nettoyage doux non abrasif avec de l'eau et un grattoir en métal mou.

### Grilles supérieures en fonte (Plaque chauffantes et rôtissoires type charbon de bois)

1. Laver soigneusement les grilles supérieures en fonte avec de l'eau tiède et du savon doux.
2. Sécher soigneusement les grilles supérieures en fonte avec un torchon propre.
3. Immédiatement après le séchage, apprêter légèrement les grilles supérieures avec une huile non toxique (huile végétale ou huile à pulvériser Pam). **AVERTISSEMENT : NE PAS APPRÊTER LES GRILLES SUPÉRIEURES PENDANT QU'ELLES SONT SUR LE DESSUS DE LA CUISINIÈRE.** Le fait d'apprêter les grilles sur la table de cuisson au-dessus d'une flamme nue pourrait causer un embrasement instantané.
4. Après l'apprêtage, remettre en place les grilles supérieures sur la cuisinière. Allumer toutes les plaques de cuisson de la cuisinière en position «LOW». Laisser les plaques de cuisson chauffer ainsi pendant au moins 20 minutes avant d'utiliser des casseroles ou des poêles sur les grilles supérieures

UN APPRÊTAGE DES GRILLES SUPÉRIEURES EST NÉCESSAIRE CHAQUE FOIS QU'ELLES ONT ÉTÉ NETTOYÉES. LE FAIT DE NE PAS APPRÊTER LES GRILLES CAUSERA L'APPARITION DE ROUILLE.

# ENTRETIEN ET NETTOYAGE

## Nettoyage

### Gril

Afin d'obtenir des aliments uniformément cuits et parfaitement dorés sur le gril, il faut éliminer toute trace de graisse carbonisée sur le gril. La graisse carbonisée sur la surface empêche le transfert de chaleur de la surface du gril aux aliments. Cela cause le brunissement inégal des aliments et une perte d'efficacité de cuisson et, ce qui est pire, la graisse carbonisée a tendance à coller aux aliments posés sur le gril, leur donnant ainsi une apparence très peu appétissante et insatisfaisante. Pour maintenir le gril propre et fonctionnant à sa capacité optimale, suivre les instructions simples ci-après :

- a. **APRÈS CHAQUE UTILISATION** - nettoyer soigneusement avec un grattoir à gril ou une spatule. Essuyer tous les déchets des opérations de cuisson.
- b. **UNE FOIS PAR JOUR** - nettoyer la surface du gril avec une brique à gril et un tampon à gril. Retirer le récipient à graisse et bien le nettoyer de la même façon que tous les ustensiles de cuisine ordinaires.
- c. **UNE FOIS PAR SEMAINE** - nettoyer soigneusement la surface du gril. Si nécessaire, utiliser une pierre à gril ou un tampon à gril sur sa surface. Frotter dans le sens du grain du métal pendant que le gril est encore tiède. Il est possible d'utiliser un détergent sur la surface du gril pour faciliter le nettoyage, mais il faut s'assurer de bien éliminer le détergent de la surface du gril à la fin du nettoyage. Après l'élimination du détergent de la surface, celle-ci doit être couverte d'une mince couche d'huile afin d'empêcher la corrosion. Pour éliminer les décolorations, utiliser un produit de nettoyage non abrasif. Veiller à la propreté du tube de vidange des graisses dans le récipient à graisse, sur les modèles ne comportant pas de récipient à graisse latéral.

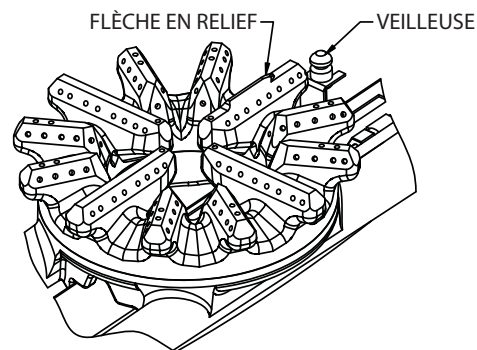
**AVERTISSEMENT:** Cette plaque de gril est en acier, mais sa surface est relativement tendre et elle peut être rayée ou endommagée par une utilisation inadéquate de la spatule. Faire attention à ne pas rayer ou creuser la surface de la plaque. Noter également que la plaque étant en acier, si sa surface n'est pas recouverte en permanence d'une mince couche d'huile, elle risque de rouiller aux endroits non exposés.

### BRÛLEURS DE PLAQUE OUVERTE

Le nettoyage d'un brûleur de cuisinière est une procédure simple qui, si elle est effectuée à intervalles réguliers, prolongera la durée de vie de la cuisinière et permettra de conserver de bonnes caractéristiques de flamme.

1. Le problème le plus courant que l'on rencontre sur les cuisinières à brûleurs ouverts est le déversement. Une fois que les orifices du brûleur sont partiellement bouchés par de la nourriture, le mélange d'air et de gaz a des difficultés à passer et le rendement du brûleur diminue.

2. Essuyer les déversements dès qu'ils se produisent.
3. Les grilles et plateaux doivent être retirés chaque jour, lavés, rincés et séchés soigneusement.
4. Utiliser une brosse métallique pour nettoyer les orifices des brûleurs. Allumer les brûleurs et vérifier si des trous sont bouchés.
5. Si des trous semblent bouchés, soulever le brûleur et brosser l'intérieur et l'extérieur avec une petite brosse spéciale. Chaque orifice du brûleur lui-même doit être nettoyé avec un fil métallique ou un foret de taille appropriée. Laver avec du savon et de l'eau très chaude s'il y a de la graisse sur les brûleurs. Bien sécher.
6. Lors du remontage de la tête de brûleur ouvert, s'assurer que les orifices du brûleur sont correctement alignés par rapport à la veilleuse. Sur la tête de brûleur moulée, il y a un indicateur en relief pour vérifier que le brûleur est correctement installé.



7. Si une flamme jaune apparaît autour des bords au lieu d'une flamme uniformément bleue, c'est habituellement signe de graisse ou de saletés dans le col du brûleur. Retirer la buse du brûleur (corps principal sur lequel est appuyée la tête du brûleur) afin d'accéder à l'ouverture de l'obturateur d'air. Retirer avec précaution la graisse et les saletés de la zone de l'obturateur d'air. Ne pas modifier le réglage de l'obturateur. L'obturateur d'air permet de mélanger la quantité correcte d'air au gaz provenant du robinet ou du thermostat et ne doit pas être réglé sinon par un technicien installateur agréé.

### À PROPOS DES BRÛLEURS DES PLAQUES CHAUFFANTES ÉTAGÉES :

Le boîtier des brûleurs des plaques étagées est monté en usine avec deux goupilles de guidage afin que le boîtier ne puisse être installé que dans les positions correctes s'il est démonté pour le nettoyage. Une goupille est située sur le dessus du boîtier pour s'assurer que la tête de brûleur soit orientée correctement une fois installée de façon à ce que le doigt de l'allumeur soit dirigé correctement vers la flamme de veilleuse. La seconde goupille est située au fond du boîtier et doit s'adapter dans la fente du support de brûleur, sinon le brûleur ne sera pas stable..

# ENTRETIEN ET NETTOYAGE

## Grilles supérieures en fonte

Les plaques et grilles en fonte peuvent être nettoyées avec du savon doux et de l'eau tiède. Pour nettoyer les aliments cuits, on peut utiliser une brosse métallique. Bien sécher. Appliquer une mince couche d'huile végétale pour éviter la formation de rouille.

## Rôtissoires type charbon de bois

Établir un calendrier de nettoyage régulier. Il est nécessaire d'éviter toute obstruction entre les grilles et de permettre une combustion et un rendement corrects.

1. Les grilles de cuisson doivent être essuyées chaque jour pendant qu'elles sont encore chaudes, avec un torchon épais ou un autre matériau absorbant la graisse afin d'éliminer la graisse et les aliments brûlés avant qu'ils ne brûlent dans la grille. Éliminer les produits brûlés comme la graisse ou les aliments carbonisés avec une brosse métallique dure. Ne pas utiliser de laine d'acier. Les petites particules peuvent être laissées sur la surface de la grille et pénétrer dans les produits alimentaires.

Une méthode commune de nettoyage consiste à retourner les grilles afin de brûler les aliments incrustés. Ne pas faire cela avec les rôtissoires radiantes! La flamme des brûleurs est protégée par un radiant en fonte qui empêche la flamme d'atteindre les grilles. Il est probable que les aliments cuits colleront encore plus plutôt que de brûler.

2. Les grilles de cuisson doivent être lavées soigneusement avec une brosse métallique et une solution très chaude de détergent doux ou de savon. Rincer à l'eau claire chaude.
3. Bien sécher.
4. Immédiatement après le séchage, apprêter légèrement les grilles supérieures avec une huile non toxique (huile végétale ou huile à pulvériser).

**RÔTISSOIRES RADIANTES :** Retirer les radiants et les nettoyer à la brosse métallique, puis les laver à l'eau chaude savonneuse. En général, si les grilles sont incrustées, il en est de même des radiants.

**RÔTISSOIRES À BRIQUETTES CÉRAMIQUES :** Les grilles de cuisson retirées, retourner toutes les briquettes pour que les débris puissent brûler.

5. La gouttière à graisse avant collecte la graisse par l'intermédiaire du déversoir qui se vide dans le bac récepteur. La graisse supplémentaire qui coule au-delà des radiants ou des briquettes céramiques est également collectée dans le même bac récepteur. Le bac doit être vérifié fréquemment pendant l'utilisation et être vidé si nécessaire. Les déversements doivent être essuyés immédiatement et à la fin de chaque journée le bac récepteur doit être vidé, lavé dans de l'eau savonneuse chaude et soigneusement séché avant d'être remis en place.

**REMARQUE :** Ne pas gaspiller de gaz ni abîmer l'équipement en laissant les robinets réglés sur des températures élevées quand l'appareil n'est pas utilisé. Pendant les périodes d'attente, régler les robinets sur le réglage de température basse afin de maintenir les grilles chaudes. Modifier le réglage des robinets selon besoin pendant les périodes de forte activité. Tourner les robinets sur OFF à la fin de la journée. Quand la rôtissoire fonctionne, ne jamais utiliser d'objets comme des plateaux pour couvrir les grilles afin de concentrer la chaleur pour brûler la graisse ou d'autres débris.

## Acier inoxydable

Pour le nettoyage régulier, laver simplement avec de l'eau chaude et une solution de détergent. Laver une petite surface à la fois sinon l'eau s'évaporerait laissant derrière elle des produits chimiques faisant des traînées.

Rincer la zone lavée avec une éponge propre trempée dans une solution désinfectante et l'essuyer avec un chiffon propre et doux avant qu'elle ne sèche.

Utiliser une pâte (composée d'eau et d'une poudre à récurer douce) si nécessaire, mais ne jamais frotter dans le sens contraire du grain. Tout acier inoxydable a été poli dans un sens. Frotter dans le sens de polissage pour conserver le fini d'origine. Rincer ensuite soigneusement.

Pour éviter les traces de doigts, il existe plusieurs produits à polir pour acier inoxydable sur le marché qui laissent un film huileux ou ciré. Ne pas utiliser ces produits sur les surfaces en contact avec les aliments.

L'acier inoxydable peut se décolorer s'il est surchauffé. Ces taches peuvent habituellement être éliminées en les frottant fortement avec une pâte à base de poudre à récurer.

Utiliser uniquement des outils en acier inoxydable, en bois ou en plastique pour gratter les dépôts épais de graisse et d'huile. Ne pas utiliser de grattoirs ou couteaux en acier ordinaire, étant donné que des particules de fer risquent de s'incruster dans le métal et de rouiller. NE JAMAIS UTILISER DE LAINE D'ACIER.

On peut utiliser de l'eau de Javel en solution ou de l'eau très chaude pour désinfecter l'acier inoxydable sans l'endommager.

# **U.S. Range** Manuel d'installation et d'utilisation

---

Plaques chauffantes, grils et rôtissoires à gaz pour usage intensif



Part # 4531352 Rev 2 (09/09/13)





## INSTRUCCIONES DE INSTALACIÓN Y OPERACIÓN

### SERIE GT DE US RANGE EQUIPO DE GAS DE SERVICIO PESADO PARA USO SOBRE ENCIMERAS



#### PARA SU SEGURIDAD

**NO ALMACENE O UTILICE GASOLINA  
U OTROS VAPORES O LÍQUIDOS  
INFLAMABLES EN LAS CERCANÍAS DE  
ESTE O CUALQUIER OTRO ARTEFACTO**

#### ADVERTENCIA:

**LA INSTALACIÓN, AJUSTE, MODIFICACIÓN,  
SERVICIO O MANTENIMIENTO INCORRECTO  
PUEDEN OCASIONAR DAÑOS A LA  
PROPIEDAD, LESIONES O LA MUERTE.  
LÉASE MINUCIOSAMENTE LAS INSTRUCCIONES  
DE INSTALACIÓN, OPERACIÓN Y  
MANTENIMIENTO ANTES DE INSTALAR O  
DAR MANTENIMIENTO A ESTE EQUIPO**

LEA TODAS LAS SECCIONES DE ESTE MANUAL Y  
GUÁRDELO PARA FUTURAS CONSULTAS.

ESTE PRODUCTO HA SIDO CERTIFICADO COMO  
EQUIPO DE COCINA COMERCIAL Y DEBE SER IN-  
STALADO POR PERSONAL PROFESIONAL SEGÚN  
LO ESPECIFICADO.

EN EL COMMONWEALTH DE MASSACHUSETTS  
ESTE PRODUCTO DEBE SER INSTALADO POR UN  
PLOMERO O INSTALADOR DE APARATOS DE GAS  
CON LICENCIA. NÚMERO DE APROBACIÓN:  
G-1-07-05-28

Para su seguridad:

Coloque en una ubicación prominente las instruc-  
ciones a seguirse en caso de que el usuario huela  
gas. Esta información se obtendrá consultando a  
su proveedor de gas local.

A los usuarios se les advierte que el mantenimiento y las reparaciones deben ser realizados por un agente de servicio autorizado de Garland/US Range que utilice repuestos genuinos de Garland/US Range. Garland/US Range no tendrá ninguna obligación con respecto a cualquier producto que haya sido incorrectamente instalado, ajustado, operado o no mantenido de acuerdo con los códigos nacionales y locales o las instrucciones de instalación provistas con el producto, o cualquier producto al que se le haya desfigurado, borrado o quitado su número de serie, o que ha sido modificado o reparado utilizando repuestos no autorizados o por agentes de servicio no autorizados. Para una lista de agentes de servicio autorizados, por favor consulte el sitio Web de Garland/US Range en <http://www.Garland/US Range-group.com>. La información contenida aquí, (incluso el diseño y las especificaciones de partes), puede ser reemplazada y esta sujeta a cambios sin previo aviso.

## **INFORMACIÓN IMPORTANTE**

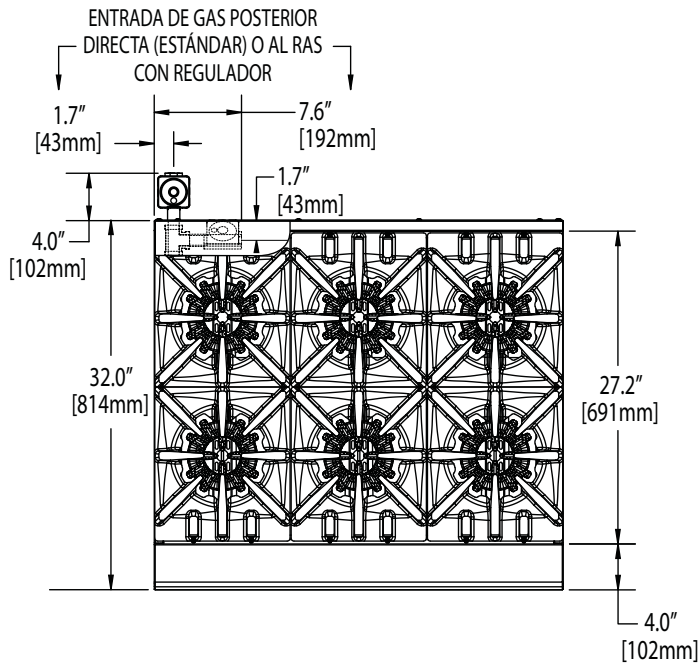
### **ADVERTENCIA:**

**Este producto contiene sustancias químicas que el Estado de California las conoce como causantes de cáncer y/o defectos de nacimiento u otros daños reproductivos. La instalación y el mantenimiento de este producto podrían exponerle a partículas aerotransportadas de lana de vidrio / fibras de cerámica. Es un hecho conocido por el Estado de California que la inhalación de partículas aerotransportadas de la lana de vidrio / fibras de cerámica causan cáncer. La operación de este producto podría exponerle al monóxido de carbono si no está debidamente ajustado. Es un hecho conocido por el Estado de California que la inhalación de monóxido de carbono causa defectos de nacimiento u otros daños reproductivos.**

**Mantenga la zona del artefacto libre y alejada de combustibles**

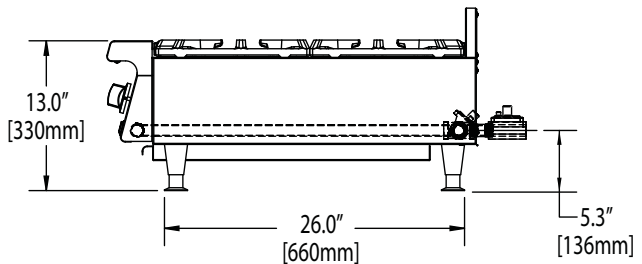
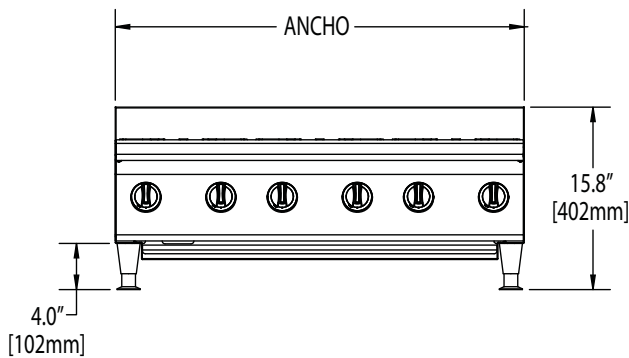
<b>ESPECIFICACIONES: HORNILLAS</b> .....	<b>36</b>
<b>ESPECIFICACIONES: HORNILLAS ESCALONADAS</b> .....	<b>37</b>
<b>ESPECIFICACIONES:</b>	
<b>PARRILLAS ASADORAS DE BRIQUETAS DE CERÁMICA</b> .....	<b>38</b>
<b>ESPECIFICACIONES: PARRILLAS DE ASAR RADIANTES.</b> .....	<b>39</b>
<b>ESPECIFICACIONES: PLANCHAS</b> .....	<b>40</b>
<b>PRE-INSTALACIÓN</b> .....	<b>41</b>
Revisión de daños .....	.41
Placa de datos .....	.41
<b>INSTALACIÓN</b> .....	<b>41</b>
Generalidades .....	.41
Conexión de Gas .....	.41
Instalación de las patas .....	.42
Ventilación .....	.43
Suministro de aire .....	.43
<b>AJUSTES</b> .....	<b>43</b>
Ajustes de los quemadores	
Todos los modelos .....	.43
<b>OPERACIÓN: TODOS LOS MODELOS.</b> .....	<b>44</b>
Pilotos de encendido de llama permanente - Todos los modelos.....	.44
Procedimiento de apagado .....	.44
<b>MANTENIMIENTO Y LIMPIEZA</b> .....	<b>45</b>
Curado.....	.45
Plancha .....	.45
Plancha (cromo opcional).....	.45
Rejillas de hierro colado de las hornillas.....	.45
Limpieza .....	.46
Plancha .....	.46
Parte superior y rejillas de hierro colado .....	.47
Acero inoxidable .....	.47

# ESPECIFICACIONES: HORNILLAS



Los consumos nominales de gas mostrados son para instalaciones instaladas a alturas de hasta 2000 pies., (610 m), por encima del nivel del mar. Por favor especifique cuando se usará a altitudes mayores de 2000 pies.

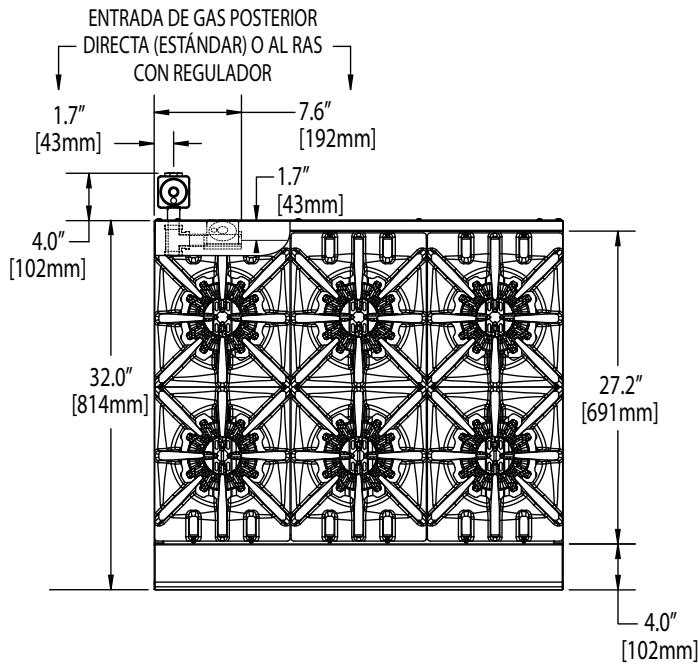
Los productos de Garland/US Range no están aprobados o autorizados para uso doméstico o residencial, y han sido concebidos exclusivamente para aplicaciones comerciales. Garland/US Range no proporcionará servicio, garantía, mantenimiento o apoyo de ningún tipo a aplicaciones que no sean comerciales.



Modelo No.	Ancho pulg. (mm)	Altura (c/patas estánd.)	Profundidad pulg. (mm)	Alimentación total (BTU)		Información de despacho	
				NAT	PRO	Lbs/Kg	Cu Ft
UTOG12-2	11-13/16 (300)	13 (330)	32 (814)	60,000	52,000	73/33	4
UTOG24-4	23-5/8 (600)			120,000	104,000	135/61	8
UTOG36-6	35-7/16 (900)			180,000	156,000	191/87	25
UTOG48-8	47-1/4 (1200)			240,000	208,000	247/112	33

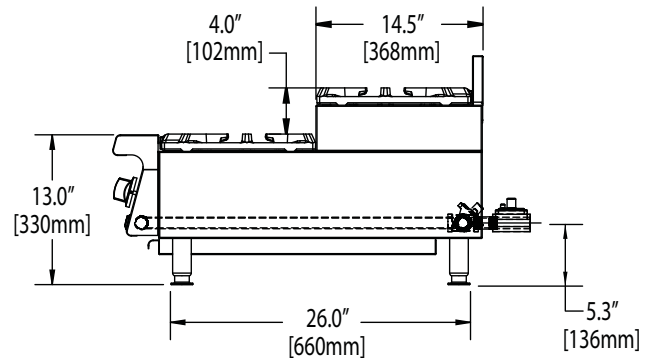
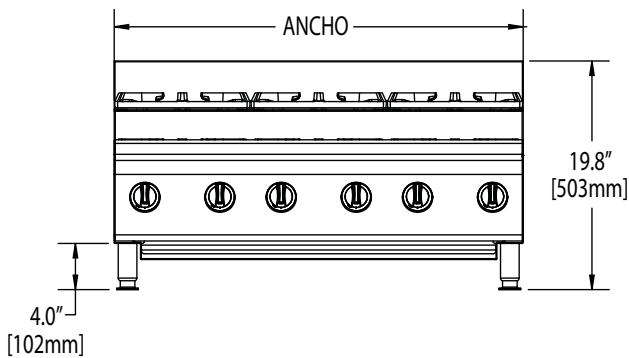
PRESIÓN OPERATIVA DE SUMINISTRO				PRESIÓN OPERATIVA EN EL MÚLTIPLE				SEPARACIONES	
GAS NATURAL		PROPANO		GAS NATURAL		PROPANO		INSTALACIÓN AL COMBUSTIBLE	
"WC	MBar	"WC	Mbar	"WC	MBar	"WC	Mbar	Lados	Parte posterior
7	17.5	11	27.5	4.5	11	10	24.5	7" (178mm)	6" (152mm)

# ESPECIFICACIONES: HORNILLAS ESCALONADAS



Los consumos nominales de gas mostrados son para instalaciones instaladas a alturas de hasta 2000 pies., (610 m), por encima del nivel del mar. Por favor especifique cuando se usará a altitudes mayores de 2000 pies.

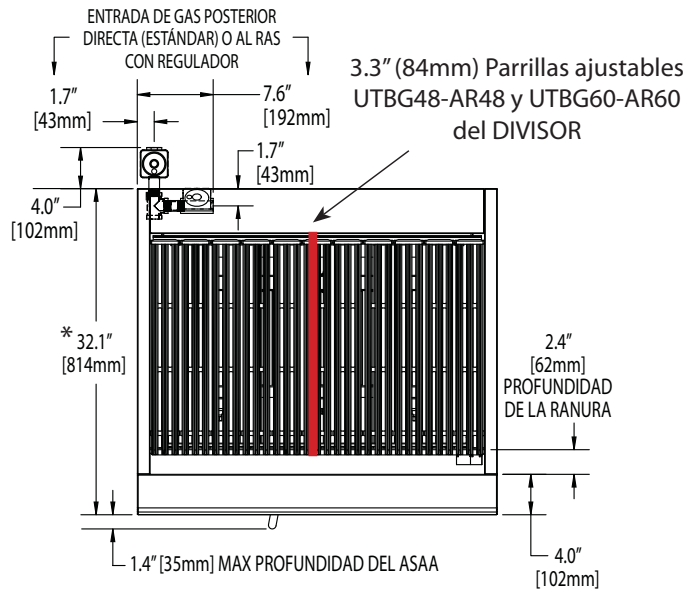
Los productos de Garland/US Range no están aprobados o autorizados para uso doméstico o residencial, y han sido concebidos exclusivamente para aplicaciones comerciales. Garland/US Range no proporcionará servicio, garantía, mantenimiento o apoyo de ningún tipo a aplicaciones que no sean comerciales.



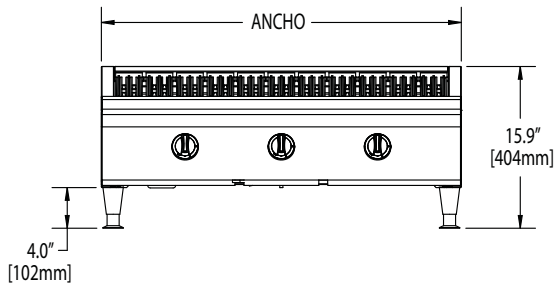
Modelo No.	Ancho pulg. (mm)	Altura (c/patas estánd.)	Profundidad pulg. (mm)	Alimentación total (BTU)		Información de despacho	
				NAT	PRO	Lbs/Kg	Cu Ft
UTOG24-SU4	23-5/8 (600)	19-13/16 (503)	32 (814)	120,000	108,000	135/61	8
UTOG36-SU6	35-7/16 (900)			180,000	162,000	191/87	25
UTOG48-SU8	47-1/4 (1200)			240,000	216,000	247/112	33

PRESIÓN OPERATIVA DE SUMINISTRO				PRESIÓN OPERATIVA EN EL MÚLTIPLE				SEPARACIONES	
GAS NATURAL		PROPANO		GAS NATURAL		PROPANO		INSTALACIÓN AL COMBUSTIBLE	
"WC	MBar	"WC	Mbar	"WC	MBar	"WC	Mbar	Lados	Parte posterior
7	17.5	11	27.5	4.5	11	10	24.5	7" (178mm)	6" (152mm)

# ESPECIFICACIONES: PARRILLAS ASADORAS DE BRIQUETAS DE CERÁMICA

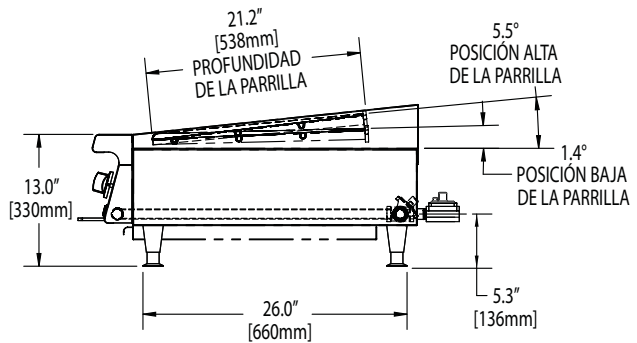


\*Por favor, añadir 5" (127mm) de profundidad en general con la opción de ferrocarril apego condimento.



Los consumos nominales de gas mostrados son para instalaciones instaladas a alturas de hasta 2000 pies., (610 m), por encima del nivel del mar. Por favor especifique cuando se usará a altitudes mayores de 2000 pies.

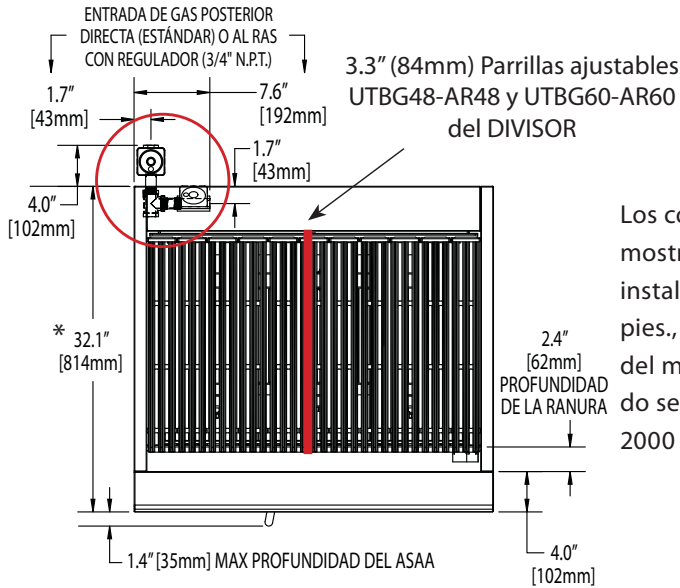
Los productos de Garland/US Range no están aprobados o autorizados para uso doméstico o residencial, y han sido concebidos exclusivamente para aplicaciones comerciales. Garland/US Range no proporcionará servicio, garantía, mantenimiento o apoyo de ningún tipo a aplicaciones que no sean comerciales.



Modelo No.	Ancho pulg. (mm)	Altura (c/patas estándar.)	Profundidad pulg. (mm)	Alimentación total (BTU)		Información de despacho	
				NAT	PRO	Lbs/Kg	Cu Ft
UTBG24-AB24	23-5/8 (600)	13 (330)	32 (814)	60,000	283/129	19	4
UTBG36-AB36	35-7/16 (900)			90,000	391/178	26	8
UTBG48-AB48	47-1/4 (1200)			120,000	514/283	34	25
UTBG60-AB60	59-1/16 (1500)			150,000	635/288	41	33

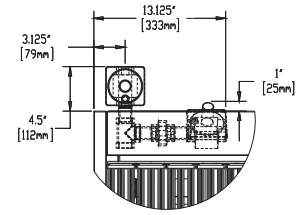
PRESIÓN OPERATIVA DE SUMINISTRO				PRESIÓN OPERATIVA EN EL MÚLTIPLE				SEPARACIONES DE LA INSTALACIÓN
GAS NATURAL		PROPANO		GAS NATURAL		PROPANO		
"WC	MBar	"WC	Mbar	"WC	MBar	"WC	Mbar	
7	17.5	11	27.5	4.5	11	10	24.5	SEPARACIÓN DE 0" PARA INSTALACIÓN EN AMBIENTES NO COMBUSTIBLES SOLAMENTE

# ESPECIFICACIONES: PARRILLAS DE ASAR RADIANTES

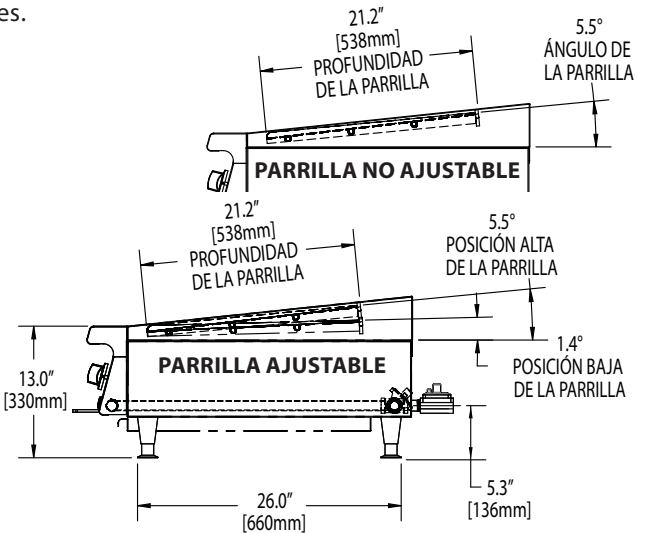
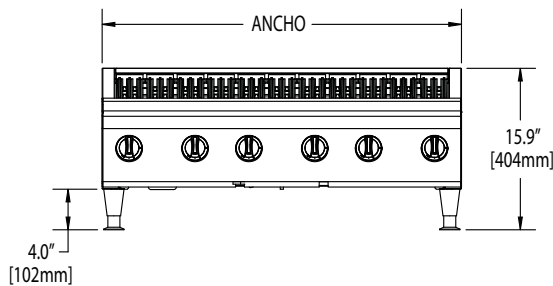


PROVEA DE GAS las OPCIONES de CONEXIÓN PARA el MODELO UTBG72-NR72 1" DERECHO (STD) O CASI RASANTE; ENTRADA POSTERIOR w/REGULATOR del GAS de N.P.T.

Los consumos nominales de gas mostrados son para instalaciones instaladas a alturas de hasta 2000 pies., (610 m), por encima del nivel del mar. Por favor especifique cuando se usará a altitudes mayores de 2000 pies.



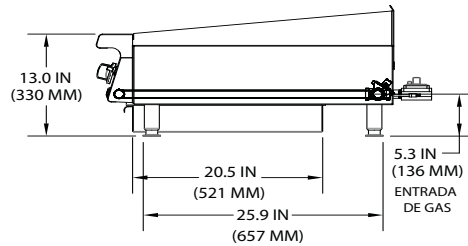
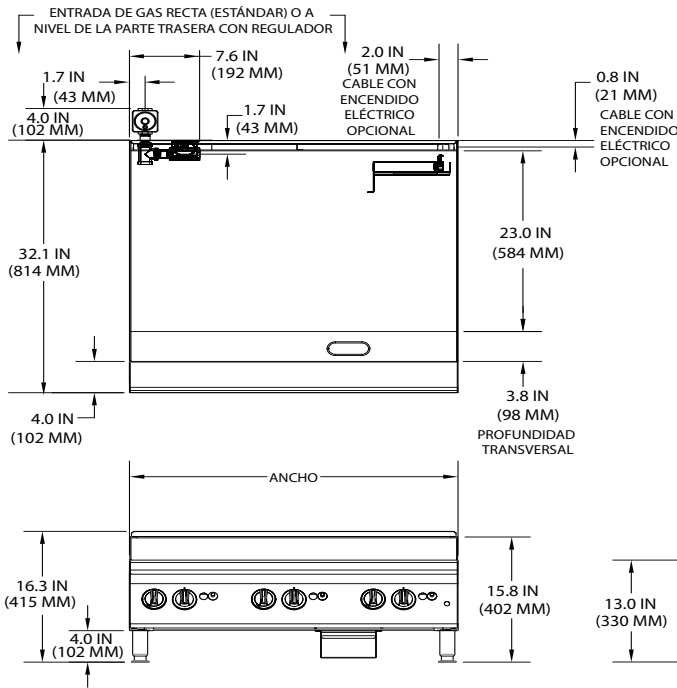
\*Por favor, añadir 5 "(127mm) de profundidad en general con la opción de ferrocarril apego condimento.



Modelo No.	Ancho pulg. (mm)	Altura (c/patas estándar.)	Profundidad pulg. (mm)	Alimentación total (BTU)	Información de despacho	
					Lbs/Kg	Cu Ft
<b>PARRILLA AJUSTABLE</b>						
UTBG24-AR24	23-5/8 (600)	13 (330)	32 (814)	72,000	283/129	19
UTBG36-AR36	35-7/16 (900)			108,000	391/178	26
UTBG48-AR48	47-1/4 (1200)			144,000	514/283	34
UTBG60-AR60	59-1/16 (1500)			180,000	635/288	41
<b>PARRILLA NO AJUSTABLE</b>						
UTBG24-NR24	23-5/8 (600)	13 (330)	32 (814)	72,000	283/129	18
UTBG36-NR36	35-7/16 (900)			108,000	391/178	25
UTBG48-NR48	47-1/4 (1200)			144,000	514/283	33
UTBG60-NR60	59-1/16 (1500)			180,000	635/288	40
UTBG72-NR72	70 7/8(1800)			216,000	690/313	47

PRESIÓN OPERATIVA DE SUMINISTRO				PRESIÓN OPERATIVA EN EL MÚLTIPLE				SEPARACIONES DE LA INSTALACIÓN
GAS NATURAL		PROPANO		GAS NATURAL		PROPANO		SEPARACIÓN DE 0" PARA INSTALACIÓN EN AMBIENTES NO COMBUSTIBLES SOLAMENTE
"WC	MBar	"WC	Mbar	"WC	MBar	"WC	Mbar	

# ESPECIFICACIONES: PLANCHAS



Para usar con gas natural o propano únicamente. Clasificaciones de entrada de gas mostradas para instalaciones de hasta 2000 pies (610 m), sobre el nivel del mar. Especifique las altitudes por encima de 2000 pies y el tipo de gas requerido al realizar el pedido.

Los productos Garland/U.S. Range no están aprobados ni autorizados para el uso doméstico o residencial, sino que están diseñados únicamente para aplicaciones comerciales.

Garland / U.S. Range no proporcionará servicio, garantía, mantenimiento o asistencia de ningún tipo que no sea en aplicaciones comerciales.

\* Añada 7 in (178 mm) en la profundidad general con la opción de accesorio de riel para condimentos.

Modelo n.º	Ancho in (mm)	Altura (con patas estándar)	Profundidad in (mm)	Total Entrada (BTU)	Información de envío	
					lb/kg	Pies cúbicos
<b>Criba estándar controlada por termostato (placa de acero de 1 in)</b>						
UTGG24-GT24M	23-5/8 (600)	13 (330)	32 (814)	56,000	290/132	21
UTGG36-GT36M	35-7/16 (900)			84,000	405/184	29
UTGG48-GT48M	47-1/4 (1200)			112,000	595/270	37
UTGG60-GT60M	59-1/16 (1500)			140,000	705/320	42
UTGG72-GT72M	70-7/8 (1800)			168,000	810/368	50
<b>Criba estándar controlada en forma manual (placa de acero de 1 in)</b>						
UTGG24-G24M	23-5/8 (600)	13 (330)	32 (814)	54,000	280/127	21
UTGG36-G36M	35-7/16 (900)			81,000	395/180	29
UTGG48-G48M	47-1/4 (1200)			108,000	585/266	37
UTGG60-G60M	59-1/16 (1500)			135,000	688/313	42
UTGG72-G72M	70-7/8 (1800)			162,000	790/359	50

PRESIÓN OPERATIVA DE SUMINISTRO				PRESIÓN OPERATIVA DEL COLECTOR MÚLTIPLE				ESPACIOS LIBRES	
GAS NATURAL		PROPANO		GAS NATURAL		PROPANO		INSTALACIÓN A COMBUSTIBLE	
"WC	MBar	"WC	Mbar	"WC	MBar	"WC	Mbar	Lados	Parte trasera
7	17.5	11	27.5	4.5	11	10	24.5	6 in (152 mm)	6 in (152 mm)



# PRE-INSTALACIÓN

## Revisión De Daños

Revisión de daños: Revise la caja o el cajón para ver si se produjeron posibles daños durante el envío. Luego de un cuidadoso desembalaje, revise para ver si hay daños "ocultos". Notifique los daños inmediatamente a la empresa de transporte.

## Placa De Clasificación

La ubicación de la placa de clasificación se fija a un soporte montado en la parte trasera de la unidad pero visible desde la parte delantera. Es posible que sea necesario quitar la grasera para ver la placa de clasificación.

El tipo correcto de gas para el cual se fabricó la unidad se indica en la placa de clasificación, y se debe utilizar este tipo de gas.

Al dirigirse a la fábrica o el centro de servicio autorizado por la fábrica con respecto a los problemas de servicio o los repuestos, asegúrese de consultar el modelo específico de

acuerdo al número de modelo correcto (incluidas las letras y los números de prefijo y sufijo) y el número de serie de la garantía. La placa de clasificación fijada al aparato contiene esta información.

Sugerimos que la instalación, el mantenimiento y las reparaciones estén a cargo de la agencia de servicio local autorizada indicada en el panfleto del manual de información.

En caso de tener preguntas acerca de la instalación, el uso, el cuidado o el servicio del producto, escriba o llame a nuestro Departamento de Servicio de Productos.

Este producto debe ser instalado por personal profesional como se especifica. Los productos Garland/U.S. Range no están aprobados ni autorizados para el uso doméstico o residencial, sino que están diseñados únicamente para aplicaciones comerciales. Garland / U.S. Range no proporcionará servicio, garantía, mantenimiento o asistencia de ningún tipo que no sea en aplicaciones comerciales.

# INSTALACIÓN

## Generalidades

1. Con cuidado retire el aparato del embalaje de cartón o de madera. Los alambres de amarre de los quemadores y el resto del material de empaque deberán ser retirados en este momento. El material protector que cubre el acero inoxidable deberá ser quitado inmediatamente después de que el aparato sea instalado, pero antes de encenderse.
2. Retire las dos parrillas superiores y apártelas a un lado, para evitar que se dañen.
3. Estos aparatos deben instalarse debajo de un sistema de ventilación adecuado. Consulté la sección titulada Ventilación para instrucciones más detalladas al respecto.
4. Todos los ajustes de los quemadores deberán ser realizados por un técnico de gas calificado.

## Conexión de Gas

Durante la fase de planificación de la instalación, se deberá consultar a las autoridades de gas locales a fin de establecer la disponibilidad de un suministro adecuado de gas y de asegurar que el medidor es adecuado para el caudal de gas requerido. El sistema de tubería del medidor a los artefactos debe ser del tamaño apropiado.

A todo artefacto fijo (no móvil) DEBE conectarse una válvula manual de corte de gas corriente arriba del artefacto para proporcionar un medio de aislamiento para efectos de mantenimiento o limpieza. Se debe proporcionar una unión o un medio similar de desconexión entre la válvula de gas y el artefacto.

Una válvula manual debe instalarse en el suministro de gas a la cocina para permitir aislar dicho suministro en una emergencia. Siempre que sea práctico, la misma deberá ubicarse o bien fuera de la cocina o cerca de una salida en una posición fácilmente accesible.

Cuando ello no sea práctico, se instalará un sistema automático de válvula de aislamiento que pueda accionarse desde una posición fácilmente accesible o cerca de la salida.

En los sitios donde se instale una válvula de aislamiento manual o donde el sistema automático puede ser reinicializado, un aviso DEBE ser colgado que indique:

**“TODO LOS QUEMADORES Y VÁLVULAS PILOTO CORRIENTE ABAJO DEBEN ESTAR APAGADOS ANTES DE INTENTAR RESTABLECER EL SUMINISTRO. DESPUÉS DE HABER ESTADO CERRADO POR UN LARGO PERÍODO, PURGUE ANTES DE RESTABLECER EL SUMINISTRO DE GAS.”**

# INSTALACIÓN

1. La instalación y conexión deben ser realizadas por un técnico de gas debidamente autorizado en cumplimiento con los códigos locales, o en ausencia de éstos, con el Código de Instalación CAN/CGA-B149 o con el Código Nacional de Gas Combustible, ANSI Z223.1/NFPA No. 54 - Última Edición
2. El tipo correcto de gas para el cual la unidad fue fabricada está indicado en la placa de datos, y este es el tipo de gas que tiene que utilizarse.
3. Si esta es una instalación nueva, solicítele a las autoridades de gas que comprueben el tamaño del medidor y de la tubería para asegurarse de que la unidad sea suministrada con la presión de gas requerida para hacer funcionar la unidad.
4. Una toma para la medición de presión es suministrada con las unidades y está instalada en el tubo distribuidor. Debe retirarse la bandeja de goteo para usar la toma de medición de presión. La presión de gas debe ser comprobada cuando la unidad quede instalada, para asegurarse de que la presión de gas de la unidad sea la misma que la especificada en la placa de características. Si fuese necesario, la presión deberá ajustarse con el regulador de presión suministrado.

**NOTA:** Al instalarse como una conexión con regulador de presión montado a ras (para permitir las instalaciones de los equipos contra paredes no combustibles), se requieren una manguera de gas flexible certificada y un ensamble de desconexión rápida a fin de permitir mover la unidad en caso de que se requiera ajustar el regulador de presión del gas.

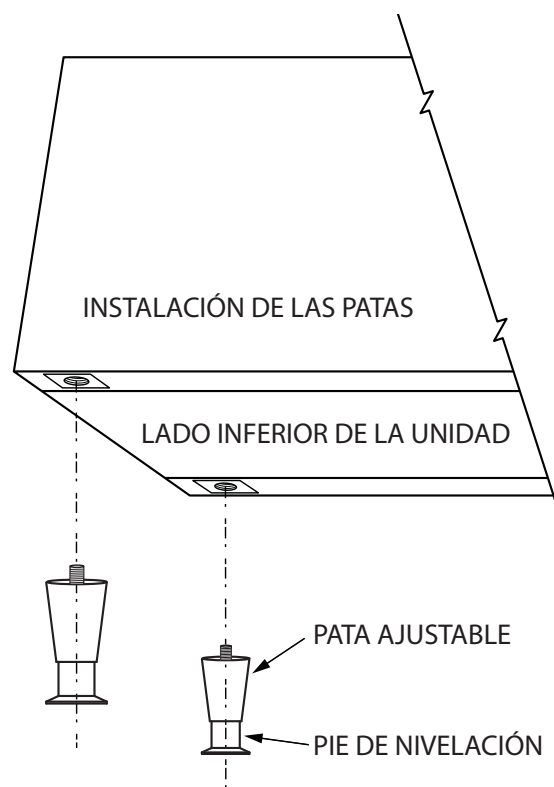
5. Haga que un técnico de gas calificado revise la presión de gas para asegurarse de que las instalaciones de gas existentes (medidor, tuberías, etc.) son capaces de proporcionar los BTU de gas requeridos en el punto donde se encuentra el aparato con una caída de columna de presión de agua no mayor de  $\frac{1}{2}$ ". Al revisar la presión, asegúrese de que todos los equipos en la misma línea de gas estén encendidos (posición "ON").
6. El artefacto y su válvula de cierre individual (suministrada por otros) deben desconectarse del sistema de tubería de suministro de gas durante cualquier prueba de presión de dicho sistema a presiones superiores a  $1\frac{1}{2}$ " psi (3.45 kPa).
7. El artefacto debe ser aislado del sistema de tubería de suministro de gas cerrando su válvula individual de cierre manual (suministrada por otros) durante cualquier prueba de presión del sistema de tubería de suministro de gas a presiones de prueba iguales a o menores de  $\frac{1}{2}$  psi (3.45 kPa).
8. Asegúrese de que las tuberías, uniones y conexiones nuevas han sido instaladas de manera limpia y que han

sido purgadas, de modo que ningún compuesto de tubería, rebabas, etc., obstruya los pilotos, válvulas y/o controles. Utilice un sellador de uniones de tubos que sea resistente al gas licuado de petróleo.

9. **ADVERTENCIA** Revise que las conexiones de gas no tengan fugas. Use una solución de jabón o medios similares. ¡NO USE UNA LLAMA ABIERTA!

## Instalación de las patas

Su aparato nuevo ha sido suministrado con cuatro patas ajustables de 4" (102mm). Estas patas están atornilladas dentro de los orificios en la parte inferior. Una vez que las patas estén instaladas, gire el pie de nivelación en la parte inferior de la pata.



Nivele el aparato ajustando los pernos o las patas de nivelación. Utilice un nivel de burbuja y confirme el nivel en cuatro sentidos: A lo largo de la parte delantera y la parte posterior, y luego por los bordes izquierdo y derecho. Nivele cualesquiera unidades adyacentes a la primera. Una plancha podría no apoyarse de manera pareja sobre el cuerpo el aparato si éste último no está correctamente nivelado.

# INSTALACIÓN

## Ventilación

**Los requisitos de ventilación podrían estar sujetos a los códigos locales de construcción y contra incendios. Consulte las autoridades locales que tengan jurisdicción al respecto.**

Los equipos de encimera deben instalarse en un lugar donde las instalaciones de ventilación permitan la combustión satisfactoria del gas y el venteo correcta. La ventilación correcta es imprescindible para la buena operación del aparato. El método ideal para ventilar los equipos de encimeras es utilizar un toldo de ventilación correctamente diseñado, el cual deberá prolongarse por lo menos 6" / 152mm más allá de todos los lados del aparato (excepto contra la pared si el toldo es una instalación de pared). Esto es por lo general parte de un sistema mecánico de aspiración.

## Suministro de aire

1. Es necesario que ingrese suficiente aire a la habitación que compense la cantidad de aire extraído por cualquier sistema de ventilación. De lo contrario, se presentará una situación de presión atmosférica por debajo de lo normal, lo cual afectará adversamente la operación del aparato y causará condiciones de trabajo indeseables.
2. Los aparatos se ubicarán de tal manera que no interfieran con la circulación apropiada del aire dentro del espacio confinado. Todos los quemadores y pilotos de gas requieren de suficiente aire para operar.
3. No se deberán colocar objetos grandes delante del aparato que pudieran obstruir el flujo de aire en la parte frontal del mismo. No obstruya el flujo de aire de combustión y de ventilación.
4. No permita que ventiladores soplen directamente sobre el aparato, y siempre que sea posible, evite ventanas abiertas adyacentes a los lados y en la parte posterior del aparato; también evite los ventiladores de tipo pared que produzcan corrientes cruzadas dentro de la habitación.

# AJUSTES

## Ajustes de los quemadores Todos los modelos

1. Antes de realizar cualquier ajuste, cierre todas las válvulas de gas girándolas a la posición "OFF". Retire los alambres de amarre de los quemadores, si aún no lo ha hecho. Asegúrese de que todas las tuberías sean herméticas al gas y de que el aire haya sido purgado de las líneas.
2. Todas las unidades son despachadas de fábrica con las capacidades nominales de los quemadores ajustadas para el gas especificado en la placa de datos a la presión de gas normal. El único ajuste necesario es el que regula el aire.

**AJUSTE DEL AIRE:** Si fuese necesario, el aire se ajusta girando el obturador de aire en el quemador. El quemador debe contar con suficiente aire de manera que las puntas de la llamas no sean amarillas, pero tampoco tanto que haga que las llamas se levanten de los orificios del quemador. Apriete bien el tornillo del obturador de aire de manera que el mismo no pueda moverse.

**NOTA:** Todos los ajustes deben ser realizados por un técnico de gas calificado.

# OPERACIÓN: TODOS LOS MODELOS

## Pilotos de encendido permanente - Todos los modelos

Después de que un gasista autorizado haya instalado el aparato y se hayan inspeccionado todos los controles, las conexiones y las luces de piloto para la operación correcta. Se supone que todos los aparatos a gas que utilicen sistemas de piloto permanente se operan con el piloto encendido en forma continua. No se debe reiniciar los aparatos excepto en el caso de una interrupción del servicio de gas de la instalación.

Si se apaga la llama de un piloto, estos son los pasos básicos que debe revisar antes de volver a encender el piloto:

1. Revise para ver que todas las tuberías de gas estén en su lugar y sujetas firmemente y que no haya acumulación de gas dentro de la unidad.
2. Revise para asegurarse de que la válvula de apagado principal estén en la posición desconectada.
3. Asegúrese de que las válvulas de los quemadores estén en la posición de apagado.
4. Encienda o abra la válvula de apagado principal del aparato.
5. Siga los procedimientos de encendido del piloto aplicables a su modelo. El piloto debe encenderse dentro de unos pocos intentos. Usted podrá ver la llama del piloto en una placa bajo el escudo de protección del piloto fundido en la rejilla superior del quemador. Las llamas del piloto de las planchas y parrillas se puede ver a través de los orificios de observación en el panel delantero de acero inoxidable.

## Asadores:

- a. Encienda los pilotos con un cerillo largo o una vela a través de la abertura o aberturas en el panel de las válvulas.
- b. Abra la válvula del quemador a la posición totalmente abierta. Una llama definida deberá tener una altura de aproximadamente 1/4".
- c. Para apagar, gire todas las válvulas a la posición de apagado ("OFF"). Si el aparato va a mantenerse apagado durante un periodo de tiempo prolongado, cierre la válvula de entrada de gas.

## Hornillas:

- a. Los pilotos son de fácil acceso. Asegúrese de que la válvula del quemador individual esté en la posición apagada ("OFF"), y luego utilice un dispositivo de llama abierta, un cerillo o un encendedor de barbacoas para encenderlo.

## Planchas con control de válvula:

- a. Asegúrese de que el control individual de válvula esté en posición desconectada.
- b. Use los botones de encendido piezoeléctrico (o encendido eléctrico si su modelo tiene esta opción) para encender el piloto.
- c. Una vez que el piloto está encendido, ya puede girar el control de válvula al ajuste de llama alto o bajo.
- d. Para apagar el quemador principal, gire la válvula a la posición desconectada.

## Planchas con control de termostato:

- a. Asegúrese de que la válvula principal de encendido-apagado esté en posición desconectada.
  - b. Use los botones de encendido piezoeléctrico (o encendido eléctrico si su modelo tiene esta opción) para encender el piloto.
  - c. Una vez que el piloto está encendido, ya puede ajustar el termostato a la temperatura de cocción deseada.
  - d. Para cerrar, gire la válvula individual de on-off a la posición de off (apagado).
6. Si no tiene una llama de piloto establecida lo suficientemente rápido y comienza a oler gas, apague la válvula principal y espere cinco minutos para dejar que el gas acumulado escape.
  7. Una vez que la llama del piloto se ha establecido, debe encender el control del quemador. Cuando el control del quemador está encendido, deja que el gas fluya al quemador. Si no hay una llama del piloto, permitirá la acumulación de gas y provocará una posible demora en el encendido, lo que podría causar una explosión.

## PROCEDIMIENTO DE APAGADO

Para apagar, gire todas las válvulas principales del quemador a la posición DESCONECTADA. Si va a apagar el aparato por un período extendido, cierre las válvulas piloto (válvulas de goma) al girar los tornillos de ajuste hacia la derecha. No hay válvulas piloto. Finalmente, gire la válvula manual del suministro principal de gas a la posición DESCONECTADA.

# MANTENIMIENTO Y LIMPIEZA

**NOTA:** Cualquier mantenimiento o servicio que involucre el desmontaje de los componentes deberá ser realizado por un técnico de servicio calificado. Además, asegúrese de que el suministro de gas al aparato esté cerrado.

Usted ha comprado el mejor equipo de cocina comercial disponible en cualquier parte. Como cualquier otro equipo fino construido con precisión, se le deberá prestar atención y mantenimiento de manera regular.

Se recomiendan las inspecciones periódicas por parte de su distribuidor o agencia calificada de servicio para que verifiquen las temperaturas y los ajustes y se aseguren de que las partes móviles estén operativas. En lo posible, evite sobrecalentar los equipos que no estén siendo utilizados puesto que ésta es la principal causa de mayores costos de servicio.

Al escribir a la fábrica o al centro local autorizado de servicio de fábrica respecto a repuestos o a problemas de mantenimiento, asegúrese de referirse a la unidad particular mediante el número de modelo correcto (incluso las letras y números de prefijo y sufijo) y el número de serie de la garantía. La placa de características contiene dicha información.

## Curado

### Plancha

1. Quite todo material protector aplicado en la fábrica lavando con agua caliente y detergente suave o una solución de jabón.
2. Aplique una capa fina de aceite de cocina a la superficie de la plancha, aproximadamente una onza por pie cuadrado de superficie de la plancha. Extiéndala sobre la superficie de la plancha entera con un paño para crear una película delgada. Limpie cualquier exceso de aceite con un paño.
3. Encienda todos los quemadores, y ajústelos al ajuste más bajo posible. Alguna decoloración ocurrirá cuando se aplica calor al acero.
4. Caliente la plancha despacio durante 15 a 20 minutos. Luego limpie el aceite con un paño. Repita el procedimiento 2 a 3 veces hasta que la plancha quede con un acabado de película oleosa brillante. Repita hasta alcanzar la temperatura de cocción deseada.

**IMPORTANTE:** no ajuste a una posición alta (en el control de válvula) o a 450 ° (en el control de termostato) durante el período de "rodaje"

**NOTA:** la superficie de la plancha de acero tomará una decoloración azul del calor. Esta decoloración no disminuirá la función o la operación y esto no es un defecto.

La plancha no requerirá curarse de nuevo si es usada correctamente. Si la plancha llegase a sobrecalentarse y el producto comienza a pegarse a la superficie pudiera ser necesario repetir el proceso de curado otra vez. Si la plancha es limpiada con jabón y agua será necesario curar de nuevo la superficie de la plancha.

### Plancha (cromo opcional)

1. Retire todo el material protector de fábrica lavando con agua caliente y un detergente suave o a una solución de jabón.
2. Una plancha de placa de cromo no tiene la superficie porosa que tiene una placa de acero por lo cual no se requiere curarla, pero una limpieza periódica asegurará una mayor vida útil para su plancha y mejores resultados al cocinar.
3. Ajuste la perilla de temperatura de la plancha a un valor entre 300 y 350 grados F (149 a 177 grados C). Vierta agua sobre la plancha por delante de una brocha de cerdas suaves. Luego friegue la placa mientras barre el agua y la suciedad a la ranura para la grasa. Esto deberá eliminar la mayor parte de la suciedad en la plancha.
4. Para alimentos quemados difíciles de eliminar utilice un limpiador suave no abrasivo con el agua y un raspador suave de metal.

### Rejillas de hierro colado de las hornillas

1. Lave las rejillas con un jabón suave y agua caliente.
2. Seque a fondo las rejillas de hierro colado de las hornillas con un paño limpio.
3. Inmediatamente después de secarlas, cúrelas ligeramente con un aceite no tóxico, (aceite vegetal líquido o aceite Pam rociado). **ADVERTENCIA; ¡NO CURE LAS REJILLAS DE LAS HORNILLAS MIENTRAS ESTÉN EN LAS HORNILLAS DE LA ESTUFA!** El curado de las rejillas en las hornillas de la estufa sobre una llama abierta podría causar un fognazo.
4. Después de curarlas, vuelva a colocar las rejillas de las hornillas en la estufa. Encienda todas las secciones de hornillas de la estufa a fuego bajo ("ON LOW"). Deje las hornillas encendidas así durante al menos 20 minutos antes de usar ollas o cazuelas sobre las rejillas de las hornillas.

CADA VEZ QUE SE LIMPIEN LAS HORNILLAS, SE REQUERIRÁ EL CURADO DE LAS MISMAS. EL NO HACERLO CAUSARÁ OXIDACIÓN.

# MANTENIMIENTO Y LIMPIEZA

## Limpieza

### Plancha

Para producir productos a la plancha parejamente cocidos y dorados, mantenga la plancha libre de grasa carbonizada. La grasa carbonizada sobre la superficie dificulta la transferencia de calor de la superficie de la plancha a los alimentos. Esto resulta en un dorado desigual y pérdida de eficiencia al cocinar, y lo peor de todo, la grasa carbonizada tiende a adherirse a la comida asada a la parrilla, dándole un aspecto muy insatisfactorio y poco apetitoso. Para mantener la plancha limpia y funcionando a máximo desempeño, siga éstas sencillas instrucciones:

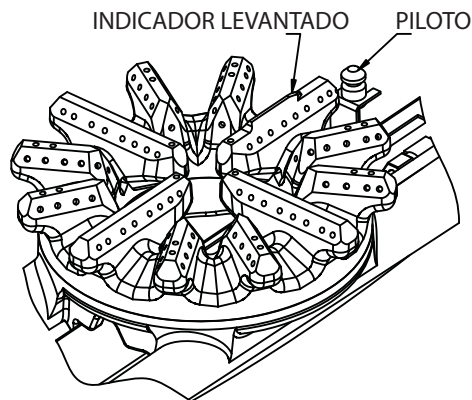
- DESPUÉS DE CADA USO limpie la plancha a fondo con una rasqueta o espátula para parrillas. Limpie con un paño cualquier suciedad dejada por el proceso de cocción.
- UNA VEZ AL DÍA limpie la superficie de la plancha con un ladrillo para parrillas y un estropajo para parrillas. Retire el recipiente de grasa y límpielo a fondo, de la misma manera que cualquier utensilio de cocina ordinario.
- UNA VEZ POR SEMANA limpie la superficie de la plancha a fondo. Si fuese necesario, use una piedra de parrilla o un estropajo para parrillas sobre la superficie de la plancha. Restriegue en dirección del grano del metal mientras todavía esté caliente. Se puede utilizar un detergente sobre la superficie de la placa para ayudar a limpiarla, pero debe tenerse cuidado de que después se elimine a fondo. Después de eliminar el detergente, la superficie del plato deberá recubrirse con una fina película de aceite para prevenir la oxidación. Para quitar decoloraciones, use un limpiador no abrasivo. Antes de volverla a usar, la plancha deberá curarse de nuevo. Mantenga siempre destapado el tubo de desagüe de la plancha al recipiente de grasa.

**ADVERTENCIA:** la placa de la plancha es de acero, pero la superficie es relativamente blanda y puede ser rayada o abollada por el uso descuidado de la espátula. Procure no abollar, rasguñar, o acanalar la superficie de la placa. De lo contrario, los alimentos se pegarán a dichas zonas. También, tome nota que, ya que ésta es una plancha de acero, si no hay una ligera capa de aceite siempre presente se desarrollará herrumbre en áreas expuestas y no cubiertas.

### HORNILLAS

La limpieza de las hornillas de la estufa es un procedimiento simple, y, de ser realizada con regularidad, prolongará la vida de la estufa y asegurará la generación de llamas con buenas características.

- El problema más común con las estufas de hornilla es el derramamiento. Una vez que los orificios de los quemadores son parcialmente tapados con alimentos, la mezcla de aire a gas es alterada y resulta en quemadores ineficaces.
- Limpie cualquier derrame tan pronto ocurra.
- Las rejillas y las bandejas deberán ser sacadas diariamente para lavarlas, enjuagarlas y secarlas a fondo.
- Use un cepillo de alambre para limpiar los orificios de los quemadores. Enciéndalos y compruebe que no haya agujeros obstruidos.
- Si se notase que algún agujero está obstruido, el quemador deberá sacarse y cepillarse por dentro y fuera con un pequeño cepillo de Venturi. Cada orificio en el quemador mismo debería ser limpiado con un alambre del tamaño correcto o un taladro de pulgar. Si se observa grasa en los quemadores, lávese con jabón y agua caliente. Seque a fondo.
- Al volver a instalar el cabezal de la hornilla asegúrese de que los orificios del quemador estén correctamente alineados con el piloto. En la cabeza colada del quemador hay un indicador realzado para asegurar que el quemador sea instalado correctamente.



- Si una llama amarilla apareciera alrededor de los bordes en vez de ser uniformemente azul, esto es por lo general una señal de suciedad de grasa en la garganta del quemador. Saque el venturi del quemador (el cuerpo principal sobre el cual se asientan las cabezas de los quemadores) para tener acceso a la abertura de la compuerta de cierre del aire. Quite con cuidado la grasa y suciedad de la zona de la compuerta de cierre del aire. No ajuste la posición de la compuerta de cierre. La compuerta de cierre del aire permite que la cantidad apropiada de aire se mezcle con el flujo de gas que proviene del orificio de la válvula o termostato y no deberá ser ajustado a menos que lo realice un técnico autorizado especialista en gas.

# MANTENIMIENTO Y LIMPIEZA

## ACERCA DE LOS QUEMADORES DE LAS HORNILLAS

**ESCALONADAS:** La carcasa colada de los quemadores escalonados está ensamblada en la fábrica con dos clavijas de localización a fin de asegurar de que sea instalada en la posición correcta si tuviese que sacarse para limpiarse. Una clavija está ubicada en la parte superior de la carcasa para asegurar que el cabezal del quemador una vez instalado esté orientado correctamente de manera que el dedo encendedor esté apuntando correctamente a la llama piloto. La segunda está ubicada en la parte inferior de la carcasa y debe encajar dentro de la ranura sobre el soporte del quemador; de lo contrario, el quemador no quedará en una posición estable.

## Parte superior y rejillas de hierro colado

La parte superior y la(s) rejilla(s) de hierro colado pueden ser limpiadas con jabón suave y agua caliente. Para eliminar el material que se ha cocido sobre el hierro, puede utilizarse un cepillo de alambre. Seque a fondo. Recubre ligeramente con aceite vegetal para ayudar a evitar que se forme herrumbre.

## Parrillas asadoras

Establezca un programa de limpieza frecuente. Ello es necesario para evitar la obstrucción entre las rejillas y para permitir la combustión y el desempeño correctos.

1. Utilizando un paño pesado u otro material absorbente, las parrillas de asar deberán limpiarse diariamente mientras estén aún tibias a fin de eliminar la grasa y alimentos quemados antes de que se quemen dentro del emparrillado. Elimine con un cepillo de alambre tieso los materiales quemados, como las grasas o alimentos carbonizados. No utilice ningún tipo de lana de acero. Podrían quedar pequeñas partículas sobre el emparrillado que podrían meterse dentro de la comida.

Una práctica de limpieza común es el voltear las parrillas cara abajo para quemar el material incrustado. ¡No haga esto con los asadores radiantes! La llama de los quemadores está tapada por un radiante de hierro colado, que previene que la llama alcance las parrillas. Lo más probable es que el material cocido sobre la parrilla se cocine aún más adentro de la misma en vez de quemarse.

2. Las parrillas de asar deberán lavarse a fondo o un cepillo de alambre y un detergente suave caliente o agua jabonosa. Enjuáguelas con agua clara tibia.
3. Séquelas a fondo.
4. Inmediatamente después de secarlas, cure ligeramente las parrillas superiores con un aceite no tóxico (aceite vegetal líquido o aceite en spray).

**ASADORES RADIANTES:** Retire los radiantes y límpielos con un cepillo de alambre; luego lávelos en agua jabonosa caliente. Una regla empírica es que si las parrillas se están incrustando, lo mismo les estará ocurriendo a los radiantes.

**ASADORES DE BRIQUETAS DE CERÁMICA:** Con las parrillas de cocción retiradas, voltee todas las briquetas y los restos se quemarán..

5. La ranura central para la grasa recoge la grasa que va a caer a la bandeja de goteo a través del tubo de descenso. La grasa adicional que gotea a través de los radiantes o las briquetas de cerámica también es recogida en la misma bandeja de goteo. La bandeja debe revisarse frecuentemente durante la operación y vaciarse según sea necesario. Los derrames deberán limpiarse tan pronto ocurran y al final de cada día la bandeja de goteo deberá vaciarse y limpiarse en agua jabonosa caliente, y luego deberá secarse a fondo antes de volverla a instalar.

**NOTA:** No derroche gas ni abuse el equipo dejando las válvulas abiertas a ajustes de alta temperatura mientras no esté en uso. Durante los períodos de baja actividad, ajuste las válvulas a baja temperatura para mantener el emparrillado tibio. Reajuste las válvulas según se requiera para períodos de alta carga. Gire las válvulas a la posición OFF (apagadas) al final de las operaciones diarias. Cuando el asador esté funcionando, jamás utilice tales objetos como bandejas metálicas para cubrir las parrillas a fin de retener el calor en un intento de quemar la grasa u otra suciedad.

## Acero inoxidable

Para la limpieza rutinaria sólo se lávelo con una solución de agua caliente y detergente. Lave apenas una pequeña área a la vez o el agua se evaporará y dejará atrás productos químicos que causarán rayaduras. Enjuague el área lavada con una esponja limpia bañada en una solución esterilizante y séquela con un paño suave limpio antes de que se seque por sí misma.

Si tiene que hacerlo, use una pasta (de agua y un polvo de fregado suave), pero nunca restriegue contra el grano. Todo el acero inoxidable ha sido pulido en una dirección. Restriegue en dirección de las líneas de pulido para preservar el acabado original. Entonces enjuague a fondo como antes.

Para prevenir las huellas digitales, en el mercado existen varios pulimentos para acero inoxidable que dejan una película aceitosa o cerosa. No las use en superficies que estarán en contacto con alimentos. El acero inoxidable puede descolorarse de llegarse a recalentar. Estas manchas pueden ser por lo general quitadas frotándolas vigorosamente con una pasta de polvo abrasivo.

Si fuese necesario raspar para quitar depósitos pesados de grasa y aceite, use sólo implementos de acero inoxidable, madera o plástico. No use rasquetas o cuchillos de acero ordinario, ya que partículas de hierro pueden quedar incrustadas y oxidarse. **NUNCA DEBERÁ UTILIZARSE LANA DE ACERO.**

Para esterilizar el acero inoxidable pueden utilizarse o bien una solución de lejía típica o agua caliente.

# **U.S. Range** Installation & Operation Manual

---

Heavy Duty Gas Counter Hot Plates, Griddles, & Char-Broilers



Part # 4531352 Rev 2 (09/09/13)