



**Star
Manufacturing
International Inc.**

265 Hobson Street
Smithville, TN 37166

Phone: (800) 264-7827
Fax: (314) 781-2714

**Installation and
Operating Instructions
Instructions d'installation
et d'opération**

2M-Z16558 Rev. C 06/2019

ULTRA-MAX™ GAS GRIDDLE MODELS

GRILS A GAZ ULTRA-MAX MODELES

824MA 824TA 824TCHSA

836MA 836TA 836TCHSA

848MA 848TA 848TCHSA

860MA 860TA 860TCHSA

872MA 872TA 872TCHSA

WARNING: Improper installation, adjustment, alteration, service or maintenance can cause property damage, injury or death. Read the installation, operating and maintenance instructions thoroughly before installing or servicing this equipment.

AVERTISSEMENT: L'installation inexacte, le réglage, le changement, le service ou l'entretien peuvent causer des dégâts matériels, des dommages ou la mort. Lisez les instructions d'installation, d'opération et d'entretien complètement avant d'installer ou entretenir ce matériel.

FOR YOUR SAFETY: Do not store or use gasoline or other flammable vapors or liquids in the vicinity of this or any other appliance.

POUR VOTRE SÛRETÉ: N'enregistrez pas ou n'utilisez pas l'essence ou d'autres vapeurs ou liquides inflammables à proximité de ceci ou d'aucun autre appareil.

WARNING: This appliance shall be installed in accordance with current regulations and used only in well-ventilated space. Refer to instructions before installing and using this appliance.

AVERTISSEMENT: Cet appareil sera installé selon des règlements actuels et utilisé seulement dans l'espace bien-aéré. Référez-vous aux instructions avant d'installer et utiliser cet appareil.

In addition, there should be posted, in a prominent location, detailed instructions to be followed in the event the operator smells gas. Obtain the instructions from the local gas supplier.

En outre, là devrait être signalé, dans un emplacement en avant, des instructions détaillées d'être suivi en cas que l'opérateur sent le gaz. Obtenez les instructions du fournisseur local de gaz.



ANSI/NSF 4

SAFETY SYMBOL



These symbols are intended to alert the user to the presence of important operating and maintenance instructions in the manual accompanying the appliance.

RETAIN THIS MANUAL FOR FUTURE REFERENCE NOTICE

Using any part other than genuine Star factory supplied parts relieves the manufacturer of all liability.

Star reserves the right to change specifications and product design without notice. Such revisions do not entitle the buyer to corresponding changes, improvements, additions or replacements for previously purchased equipment.

Due to periodic changes in designs, methods, procedures, policies and regulations, the specifications contained in this sheet are subject to change without notice. While Star International Holdings Inc., Company exercises good faith efforts to provide information that is accurate, we are not responsible for errors or omissions in information provided or conclusions reached as a result of using the specifications. By using the information provided, the user assumes all risks in connection with such use.

MAINTENANCE AND REPAIRS

Contact your local authorized service agent for service or required maintenance.

Please record the model number, serial number, voltage and purchase date in the area below and have it ready when you call to ensure a faster service.

Model No. _____
Serial No. _____
Voltage _____
Purchase Date _____

Authorized Service Agent Listing

Reference the listing provided with the unit

or

for an updated listing go to:

Website: www.star-mfg.com
E-mail customerservice@star-mfg.com

Service Help Desk

Business Hours: 8:00 am to 4:30 p.m. Central Standard Time

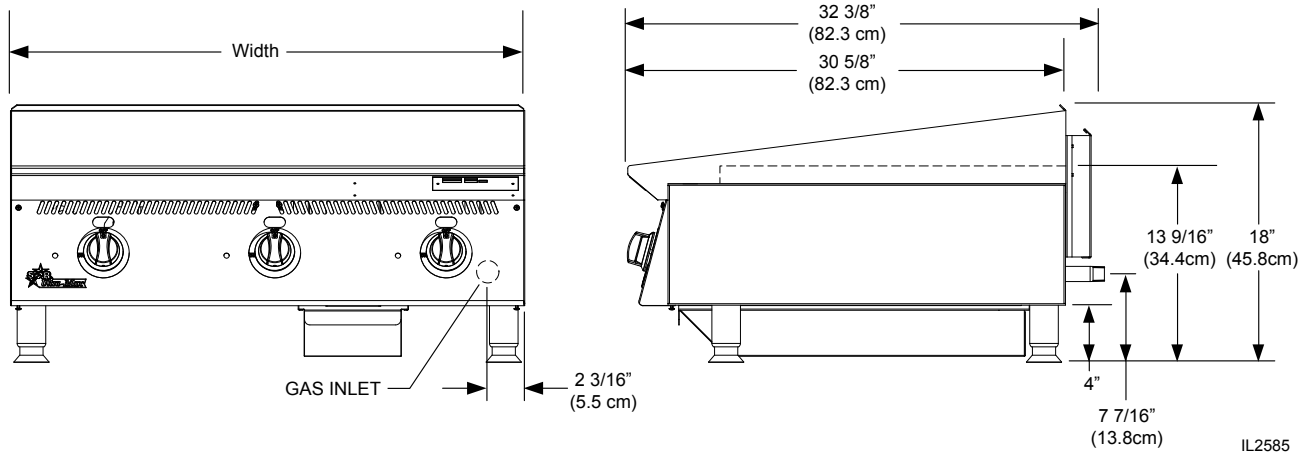
Telephone: (800) 264-7827

Fax: (314) 781-2714

E-mail customerservice@star-mfg.com

Website: www.star-mfg.com

Mailing Address: Star Manufacturing International Inc.
265 Hobson Street
Smithville, TN 37166
U.S.A



IL2585

SPECIFICATIONS

Model	Type	Controls	BTUH	Griddle Area	Dimensions			Approx Weight	
					Width	Depth	Height	Installed	Shipping
824MA	Manual Valve (pilot)	2	60,000	573 sq in (3697sq. cm)	24" (61cm)	32 3/8" (82.2cm)	18" (45.7cm)	214lbs (97kg)	244lbs (110.6kg)
836MA		3	90,000	860 sq. in. (5545 sq. cm)	36" (91.4cm)			321lbs (145.4kg)	366lbs (165.8kg)
848MA		4	120,000	1146 sq. in (7397 sq. cm)	48" (122cm)			428lbs (193.3kg)	488lbs (221.1kg)
860MA		5	150,000	1433 sq in (9242 sq cm)	60" (152.4cm)			535lbs (242.4kg)	610lbs (276.4kg)
872MA		6	180,000	1719 sq in (11091 sq cm)	72" (182.9cm)			642lbs (290.9kg)	732lbs (331.7kg)

824TA	T-Stat (pilot)	2	60,000	573 sq in (3697sq. cm)	24" (61cm)	32 3/8" (82.2cm)	18" (45.7cm)	214lbs (97kg)	244lbs (110.6kg)
836TA		3	90,000	860 sq. in. (5545 sq. cm)	36" (91.4cm)			321lbs (145.4kg)	366lbs (165.8kg)
848TA		4	120,000	1146 sq. in (7397 sq. cm)	48" (122cm)			428lbs (193.3kg)	488lbs (221.1kg)
860TA		5	150,000	1433 sq in (9242 sq cm)	60" (152.4cm)			535lbs (242.4kg)	610lbs (276.4kg)
872TA		6	180,000	1719 sq in (11091 sq cm)	72" (182.9cm)			642lbs (290.9kg)	732lbs (331.7kg)

824TSA, TSCHSA	Thermal Spark (no pilot)	2	80,000	573 sq in (3697sq. cm)	24" (61cm)	32 3/8" (82.2cm)	18" (45.7cm)	214lbs (97kg)	244lbs (110.6kg)
836TSA, TSCHSA		3	120,000	860 sq. in. (5545 sq. cm)	36" (91.4cm)			321lbs (145.4kg)	366lbs (165.8kg)
848TSA, TSCHSA		4	160,000	1146 sq. in (7397 sq. cm)	48" (122cm)			428lbs (193.3kg)	488lbs (221.1kg)
860TSA, TSCHSA		5	200,000	1433 sq in (9242 sq cm)	60" (152.4cm)			535lbs (242.4kg)	610lbs (276.4kg)
872TSA, TSCHSA		6	240,000	1719 sq in (11091 sq cm)	72" (182.9cm)			642lbs (290.9kg)	732lbs (331.7kg)

GENERAL INSTALLATION DATA



CAUTION

This equipment is designed and sold for commercial use only by personnel trained and experienced in its operation and is not sold for consumer use in and around the home nor for use directly by the general public in food service locations.

Before using your new equipment, read and understand all the instructions & labels associated with the unit prior to putting it into operation. Make sure all people associated with its use understand the units operation & safety before they use the unit.

Ultra-Max series griddles are equipped for use on either natural or propane gas. All units are shipped for natural gas and can easily be converted to propane. See Propane Gas - Conversion.

-IMPORTANT-

Be sure to remove all paper protection and packing material from unit prior to lighting. Remove the protective plastic from the griddle plate and thoroughly clean the unit's exterior surfaces.

KEEP THE APPLIANCE AREA FREE AND CLEAR FROM COMBUSTIBLES! For use on non-combustible countertops only. Combustible and non-combustible material must be at least 48" (120cm) from the top of the appliance and at least 6" (16cm) from the sides and back. Adequate clearance should also be provided for proper operation and servicing.

The installation of the Appliance must conform to the NATIONAL FUEL GAS CODE "ANSI Z223.1 - LATEST EDITION" AND ALL LOCAL GAS COMPANY RULES AND REGULATIONS.

IN CANADA INSTALLATION SHALL BE IN ACCORDANCE WITH THE CURRENT CAN/CGA-B149.1 NATURAL GAS INSTALLATION CODE OR CAN/CGA-B149.2 PROPANE INSTALLATION CODE AND LOCAL CODES WHERE APPLICABLE.

NOTICE

When this appliance is installed with casters, it must be installed with the casters supplied, a connector complying with either ANSI Z21.69 or CAN/CGA-6.16 and a quick-disconnect device complying with either ANSI Z21.41 or CAN1-6.9. It must also be installed with restraining means to guard against transmission of strain to the connector.

For your protection, we recommend a qualified installing agency install this appliance. They should be familiar with gas installations and your local gas requirements. In any case, your gas company should be called to approve the final installation.

This appliance, its pressure regulator and its individual shutoff valve must be disconnected from the gas supply piping system during any pressure testing of that system at test pressures in excess of 1/2 PSIG. This appliance and its pressure regulator must be isolated from the gas supply piping system by closing its individual manual shutoff valve during any pressure testing of the gas supply piping system at test pressures equal to or less than 1/2 PSIG.

EXHAUST CANOPY

Griddles inherently create a good deal of heat and smoke and should be installed under an efficient exhaust hood with flame proof filters. A vertical distance of not less than 48" shall be provided between the top of the appliance and filters or any other combustible material. Exhaust installation must conform to local codes.

AIR SUPPLY: Provisions for adequate air supply must be provided.



CAUTION

AIR INTAKES IN BOTTOM

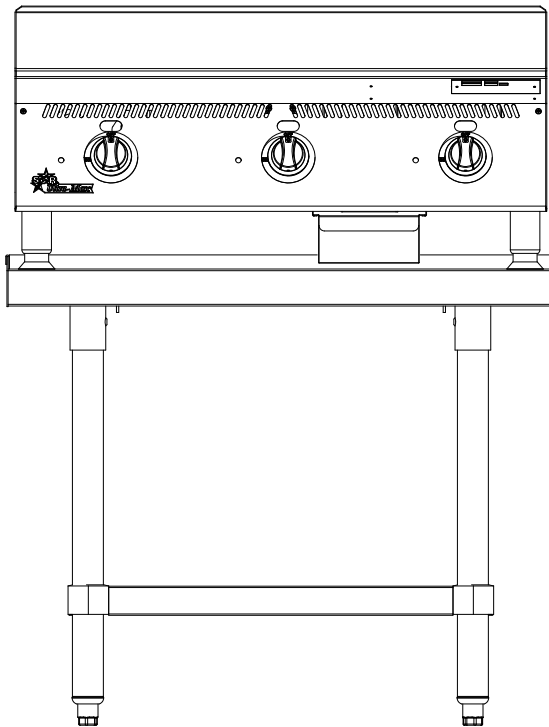
Air for combustion enters from the bottom of the unit. **Do not obstruct this area.**

LEVELING UNIT

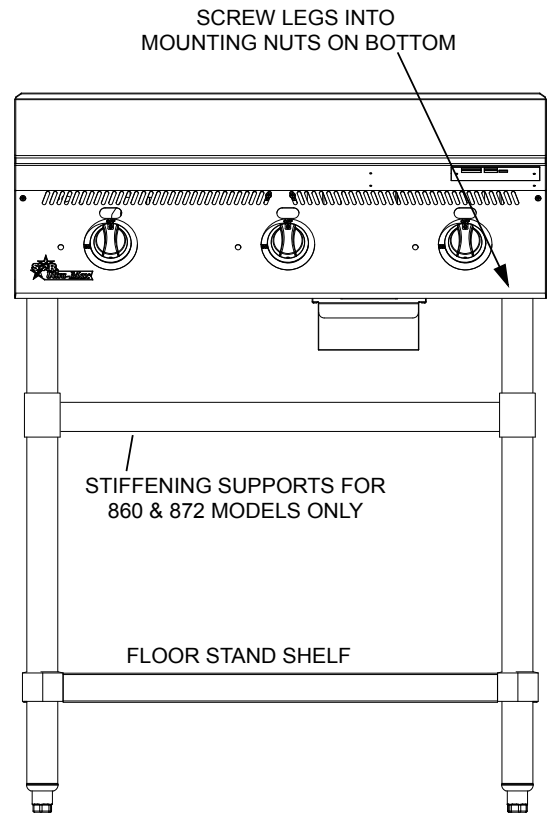
This griddle is supplied with 4 feet or floor stand legs which must be screwed into the body. After the griddle is in its final position, adjust the legs to create 1/8 inch slant from back to front. This will allow the grease to run into the grease gutter and provide the proper combustion air for the burners. Adjusting the (4) feet which have an adjustment of 1-3/4" for accurate and perfect line-up with other units.



DO NOT INSTALL WITHOUT ATTACHING FEET OR SUPPLIED STAND LEGS AND SHELF - DO NOT REMOVE FEET.



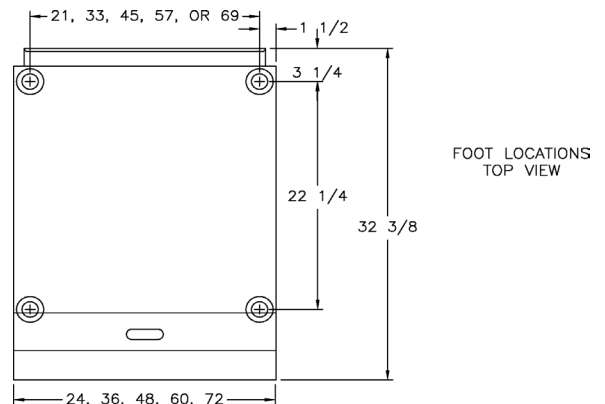
**COUNTER TOP MODEL
ON OPTIONAL EQUIPMENT STAND**



FLOOR STAND MODEL

IL2586

Caster Kits: Casters can be used with floor stand models or optional equipment stand. For installation, carefully mark and cut off from the bottom of each leg using a straight cutting saw and de-burr the inside tube wall prior to installing the caster. Cut leg should measure 19" tube length, not overall length. Casters add about 6-1/4" of height to the unit. Be sure to use approved strain relief means for protecting gas line connection. If an appliance is equipped with casters and is gas connected with a quick connect coupling, all personnel must be aware that there is a restraint on the appliance and if disconnected for service or cleaning it must be reconnected as originally installed prior to use.



FOOT LOCATIONS
TOP VIEW

GAS PIPING

Gas piping shall be of such size and so installed as to provide a supply of gas sufficient to meet the full gas input of the appliance. If the appliance is to be connected to existing piping, it shall be checked to determine if it has adequate capacity. Joint compound shall be used sparingly and only on the male threads of the pipe joints. Such compounds shall be resistant to the action of L.P. gases. **WARNING:** Any loose dirt or metal particles which are allowed to enter the gas lines on this appliance will damage the valve and affect its operation. When installing this appliance, all pipe and fittings must be free from all internal loose dirt.

GAS PRESSURE REGULATOR

A convertible pressure regulator is provided with each griddle. It should be connected to the inlet pipe at the rear of the unit. The gas supply is then connected to it. The supply pressure to the regulator is not to exceed 1/2 psig. If the gas pressure going to the regulator on the griddle exceeds 1/2 PSIG then another regulator must be installed to lower the pressure going to it. This second regulator is not supplied with the griddle and is the customers responsibility. All units are shipped for use with natural gas. MA and TA Series Models are shipped set for 5" water column manifold pressure. TSA and TSCHSA Series Models are shipped set for 5" water column manifold pressure.

MANUAL SHUT OFF VALVE

A manual shut off valve should be installed upstream from the manifold and within six feet of the griddle. The shut-off valve is not supplied with the griddle and is the customers responsibility.

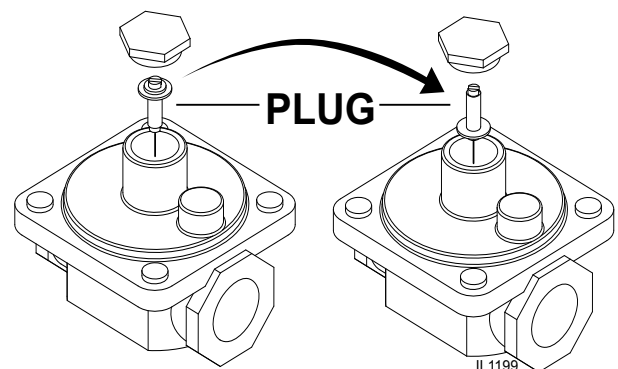
CONNECTING GAS SUPPLY LINE

The gas inlet of the griddle is sealed at the factory to prevent entry of dirt. Do not remove this seal until the actual connection is made to the gas supply line.

PROPANE GAS - CONVERSION

This griddle is equipped with fixed orifice hoods and is shipped from the factory for use with natural gas. To convert to propane gas install the orifice hoods located behind the front panel as follows:

1. Remove the front panel by removing the screws located on the front and bottom.
2. Remove the burner mounting screws in the center of the combustion chamber access covers.
3. Slide the burners back off the orifice hoods.
4. Remove the natural gas orifice hoods and install the propane orifice hoods.
5. Slide the burners back over the orifice hoods and reinstall the burner mounting screws.
6. Reinstall the front panel.
7. Set the pressure regulator to 10" (25.4cm) water column by removing the slotted or hex cap from the center of the regulator. Invert the plug and reinstall. The letters "LP" will now be visible on the plug. Reinstall the cap. An 1/8" pipe plug is located on the manifold for attaching a pressure gauge.



Natural

Propane / LP

Regulator

CHECKING FOR GAS LEAKS

Check entire piping system for leaks. Soap and water solution or other material acceptable for the purpose, shall be used in locating gas leakage.



Matches, candle flame or other sources of ignition shall not be used for locating gas leaks.

PILOT FLAME ADJUSTMENT

The griddles are equipped with standing pilots and should be lit immediately after the gas is turned on.

MANUAL VALVE AND THROTTLING CONTROL MODELS

Adjust the flame as low as possible while still providing immediate burner ignition when the control knob is turned to high.

LIGHTING INSTRUCTIONS

When the griddle is first lit, it will smoke until the preservative oils and impurities are burned off. The griddles are equipped with standing pilots and should be lit immediately after the gas is turned on. Snap Action griddles do not have a standing pilot and do not require lighting. The Unit should be properly leveled prior to lighting, with the rear of the griddle slightly higher than the front to allow grease to roll off and flue gasses to escape out the rear..



DO NOT ATTEMPT TO LIGHT YOUR PILOT BURNER IF YOU EXPERIENCE A STRONG GAS ODOR.

CAUTION MANUAL VALVE AND THROTTLING CONTROL MODELS

1. Turn off the main valve to the unit and wait 5 minutes to clear gas.
2. Turn off all knobs and pilot valves.
3. Turn on main valve to unit and light all pilots.
4. Turn burner knobs to desired position.
5. To turn burners off, turn knobs to off.

ORIFICE ELEVATION COMPENSATION CHART

	Orifice @ sea level	2000	3000	4000	5000	6000	7000	8000	9000	10000
Manual Control Gas Griddles: 824ma thru 872MA										
NAT	41	42	42	42	43	43	44	44	45	46
LP	52	52	53	53	53	53	53	54	54	54
Thermostatic Conrol Gas Griddles: 824TA thru 872TA										
NAT	38	39	40	41	41	42	42	43	43	44
LP	52	52	53	53	53	53	53	54	54	54
Snap Action Gas Griddles: 824TSA thru 872TSA										
NAT	34	35	36	36	37	37	38	39	40	42
LP	49	50	50	50	51	51	51	52	52	52

BURNER AIR SHUTTER ADJUSTMENT

The burner air shutter has a locking screw on the bottom side of the venturi. Loosen this screw to make any adjustment and tighten the screw to lock the air shutter in place after adjustment is complete. Any adjustment must be made when the burner is at full input before the control temperature setting has been satisfied.

1. Turn the control knob to the highest position and observe the burner flame.
2. Slowly decrease the air shutter opening until the flame is a soft blue with yellow tips, then increase the opening until the yellow tips disappear and the flame is a hard blue.
3. Do not open the shutter to a point where the flame is unstable or lifting from the burner surface. The flame must be steady and even across the entire burner.



The following was set at the factory and the adjustment should only be made by an authorized installer and only if you are experiencing this specific problem.

BYPASS ADJUSTMENT ON THROTTLING CONTROL MODELS ONLY

Throttling control models have a minimum flame setting that provides a steady uniform flame across the burner when the control heat setting has been satisfied.

1. Set the control at the maximum setting and wait for the burner flame to throttle back.
2. Turn the dial to the 200 degree setting. A small steady flame should be visible on all the burner ports. This flame should be approximately 1/8" high.
3. An adjustment screw is located either on the front or side of the control housing.
4. Turn clockwise to decrease the flame height; turn counterclockwise to increase the flame

ELECTRICAL CONNECTION FOR SNAP ACTION AND CHROME SURFACE MODELS ONLY

Snap action and chrome surface griddles are equipped with a three-prong grounding plug. The unit is designed for use on a 120 volt 15 amp 50/60 cycle AC single-phase circuit only. For protection against electrical shock, the unit must be plugged directly into a properly grounded three-prong receptacle. Do not cut or remove the grounding prong from this plug.



Do not connect to any other type of current or serious damage will occur.

OPERATING INSTRUCTIONS

SEASONING THE GRIDDLE HEATING SURFACE (NON-CHROME SURFACES)

Clean the griddle surface thoroughly. After the griddle has been thoroughly cleaned, it should be seasoned to prevent food from sticking. Before using and after each thorough scouring, season the griddle heating surface in the following manner:

1. Turn the temperature control dial to 350°F (174.0°C).
2. Using a clean cloth, not a spatula, spread a thin film of cooking oil or shortening over the griddle cooking surface. This film should remain on the hot griddle surface 1/2 hour.
3. Remove excess shortening and wipe clean.
4. Apply another film of cooking oil over the hot cooking area for another 1/2 hour, and again remove excess shortening and wipe clean. The griddle surface should now be ready for use.



Even with careful seasoning food may, to some extent, stick to the griddle cooking surface until griddle plate is "broken in."

COOKING

Set the dial knob to the setting desired. After a 30 minute (minimum) preheating period, the griddle will automatically maintain the selected temperature.

GRIDDLE CARE (NON-CHROME SURFACES)

It takes very little time and effort to keep the griddle attractive and performing at top efficiency. If grease is permitted to accumulate, it will form a gummy cake and then carbonize into a hard substance which is extremely difficult to remove. To prevent this condition, the following suggestions for cleanliness should be followed:

1. After each use, scrape the griddle with a scraper or flexible spatula to remove excess grease and food. A waste drawer is provided for the scrapings. If there is an accumulation of burned-on grease and food, the griddle should be thoroughly scoured and reseasoned. Use pumice or griddle stone while the griddle is warm. Do not use steel wool because of the danger of steel slivers getting into the food.
2. Use a clean cloth and good non-abrasive cleaner to clean the stainless steel body of the griddle. Wipe the control panel front with a soft cloth.
3. At least once a day, remove the waste drawer and wash in the same way as an ordinary cooking utensil. The drawer is removed by pulling forward and out.

GRIDDLE CARE (CHROME SURFACES)

(Chrome surface griddles are marked with "CHS" at the end of the model number designation on the nameplate.) It takes very little time and effort to keep this Industrial Chrome griddle surface sparkling clean and performing at top efficiency. DO NOT allow grease to accumulate as it will carbonize and become difficult to remove. To prevent this condition, the following cleaning suggestions should be followed:

1. Remove excess oil and food regularly with a 4" (100mm) wide razor sharp type scraper and wipe surface with a damp cloth if desired.
2. Following the scraping, for end of the day cleaning, a damp cloth and a non-silicated, non-abrasive, non-chlorinated cleaner such as Bon-Ami may be used to wipe surface clean, followed by wiping with clean wet cloth.
3. Follow steps 2 and 3 from Griddle Care (Non-Chrome Surfaces).

CAUTION

1. Never use pumice, griddle stones, or abrasives on the surface.
2. Never strike the griddle surface with a sharp instrument or spatula edge.
3. Never use steel wool.
4. Never use commercial liquid grill cleaner on the griddle surface.
5. Abusing the surface voids the warranty.



WASTE DRAWER

A waste drawer is located at the front and can be removed from the front for cleaning by pulling drawer forward. This drawer should be checked and emptied when necessary or at least once per day.



EXERCISE EXTREME CARE IN HANDLING THE WASTE DRAWER CONTAINING HOT GREASE.

OVERNIGHT SHUTDOWN

MANUAL VALVE AND THROTTLING CONTROL MODELS

Turn knobs to the off position to turn burners off.

SNAP ACTION AND CHROME SURFACE MODELS

Turn knobs to the lowest setting and turn power switch off.

CHROME GRIDDLE SURFACE LIMITED WARRANTY EXCLUSIONS

Your chrome griddle has been designed to give you many years of cooking reliability and requires minimum maintenance to keep the chrome surface in its original condition. All chrome griddle surfaces are warranted for a period of 5 years against manufacturing defects to the original owner from the date of installation. This limited warranty is void if it is determined by Star Manufacturing International Incorporated or one of its authorized representatives that the chrome surface has been misused or abused or subjected to the following situations:

1. Improperly installed.
2. By-pass adjustments not set properly on gas units allowing the appliance to overheat and discolor the chrome surface. (See by-pass adjustment section.)
3. The misuse of any instrument or tool which scratches or makes indentations in the surface which could cause the surface to peel, flake, or chip off.
4. The use of any chemical or abrasive cleaning solution, griddle brick, stone, screen or other cleaning products which could damage and affect the performance of the chrome surface.
5. The neglect of daily routine maintenance to the chrome surface.

SYMBOLE DE SÉCURITÉ



Ces symboles sont utilisés pour souligner à l'utilisateur les instructions d'utilisation ou d'entretien importantes contenues dans le manuel qui accompagne l'appareil.

CONSERVEZ CE MANUEL POUR RÉFÉRENCE FUTURE AVIS

L'utilisation de toute pièce autre que les pièces d'origine STAR dégage le fabricant de toute responsabilité.

Star se réserve le droit de changer les spécifications et la conception du produit sans préavis. Ces changements ne donnent pas le droit à l'acheteur d'obtenir les changements, améliorations, ajouts ou remplacements correspondants pour l'équipement acheté préalablement.

Dû aux modifications périodiques de dessins, méthodes, procédures, règles et régulations, les spécifications contenues dans ce manuel sont susceptibles de changer sans préavis. Quoique STAR Manufacturing exerce la bonne foi de fournir le renseignement correct, STAR n'est pas responsable pour les erreurs ou les omissions dans le renseignement pourvu ou les conclusions tirées à la suite de l'utilisation des spécifications. En utilisant le renseignement pourvu, l'utilisateur assume tous les risques en relation avec telle utilisation.

ENTRETIEN ET RÉPARATIONS

Contactez votre détaillant local pour les réparations ou l'entretien requis. Assurez-vous d'avoir le numéro de modèle, le numéro de série, le voltage et la date d'achat pour un service plus rapide. Entrez l'information requise ci-dessous pour référence rapide.

N° de modèle _____

N° de série _____

Voltage _____

Date d'achat _____

Agent de service autorisé

Voir la liste pourvue avec l'appareil

Ou

Pour une liste mise à jour voir :

Site web : www.star-mfg.com

Courriel : customerservice@star-mfg.com

DONNÉES GÉNÉRALES D'INSTALLATION



ATTENTION

Ce matériel est conçu et vendu pour l'usage commercial seulement par le personnel qualifié et expérimenté en son exécution et n'est pas vendu pour l'usage du consommateur dans et autour de la maison ni pour l'usage directement par le grand public dans des emplacements de service de traiteur.

Des grils de série d'Ultra-Max sont équipés pour l'usage sur le gaz naturel ou de propane. Toutes les unités sont expédiées pour le gaz naturel et peuvent facilement être converties en propane. Voir Le Propane Intoxiquer - La Conversion.

-IMPORTANT-

Soyez sûr d'enlever tout le matériel de papier de protection et d'emballage à partir de l'unité avant l'éclairage. Éliminez le plastique protecteur du plat de gauffreuse et nettoyez complètement les surfaces extérieures de l'unité.

MAINTENEZ LA RÉGION D'Appareils LIBRE ET CLAIRE DES COMBUSTIBLES! Pour l'usage sur les countertops non-combustibles seulement. Le matériel combustible et non-combustible doit être au moins 48 " (120cm) à partir du dessus de l'appareil et au moins 6 " (16cm) des côtés et du dos. Le dégagement adéquat devrait également être donné pour l'exécution appropriée et l'entretien.

L'installation de l'appareil doit se conformer au CODE NATIONAL DE GAZ COMBUSTIBLE "ANSI Z223.1 - TOUTE DERNIÈRE ÉDITION" DES ÉTATS-UNIS ET À TOUTES LES RÈGLES ET RÉGLEMENTATIONS DE LA COMPAGNIE DE GAZ LOCALE.

AU CANADA, L'INSTALLATION DOIT ÊTRE CONFORME AU CODE COURANT D'INSTALLATION AU GAZ NATUREL CAN/CGA-B149.1 OU AU CODE D'INSTALLATION AU PROPANE CAN/CGA-B149.2 ET AUX CODES LOCAUX, LE CAS ÉCHÉANT.

NOTIFICATION

Quand cet appareil est installé avec des roulettes, il doit être installé avec les roulettes fournies, un connecteur étant conforme à la norme ANSI Z21.69 ou au CAN/CGA-6.16 et à un dispositif rapide étant conforme à la norme ANSI Z21.41 ou au CAN1-6.9. Il doit également être installé avec des moyens retenants de garder contre la transmission de la contrainte au connecteur.

Pour votre propre protection, on vous recommande de faire installer cet appareil par une agence d'installation qualifiée. Ils doivent connaître les installations de gaz et vos exigences de gaz locales. En tout cas, il faut appeler votre société du gaz pour l'approbation de l'installation finale.

Cet appareil, son régulateur de pression et ses vannes d'arrêt individuelles doivent être débranchés de la tuyauterie d'alimentation du gaz lors des essais de pression de la tuyauterie en question à des pressions en dessus de ½ PSIG. Cet appareil et son régulateur de pression doivent être isolés de la tuyauterie d'alimentation du gaz en fermant sa vanne d'arrêt manuelle individuelle lors des essais de pression de la tuyauterie d'alimentation de gaz à des pressions égales à ou de moins que ½ PSIG.

ÉPUISEZ LE BALDAQUIN

Les grils créent en soi beaucoup de la chaleur et de la fumée et devraient être installés sous un capot efficace d'échappement avec des filtres de preuve de flamme. Une distance verticale pas moins de de 48 " sera fournie entre le dessus de l'appareil et les filtres ou n'importe quel autre matériel combustible. L'installation d'échappement doit se conformer aux codes locaux.

LA PROVISION DE L'AIR

Les vivres pour provision de l'air adéquate doivent être fournis.



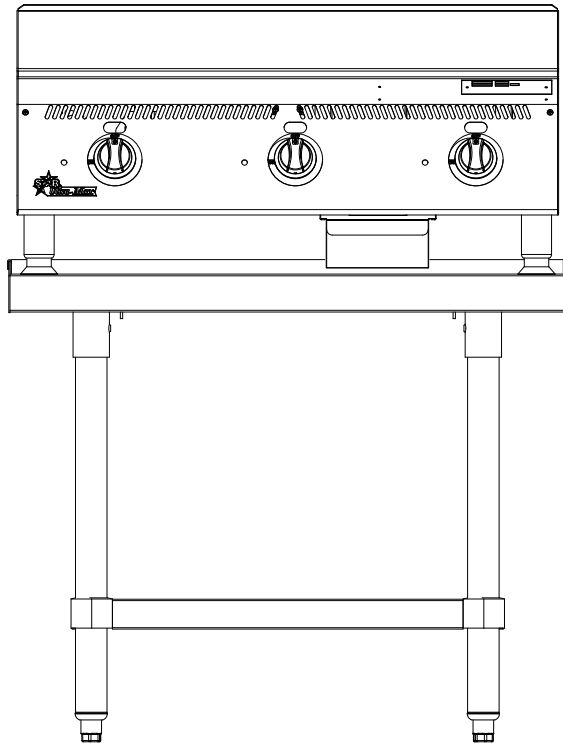
ATTENTION

PRISES D'AIR EN BAS

L'air nécessaire à la combustion entre par le bas de l'appareil. Ne pas boucher cette section.

RASANT DE L'UNITÉ

Cette plaque en fonte est fournie 4 pieds ou jambes d'éventaire d'étage qui doivent être vissées dans le corps. Après que la plaque en fonte est dans sa position finale, régler les jambes pour créer le point de vue de pouce 1/8 d'à l'envers. Cela permettra à la graisse de heurter la gouttière de graisse et fournir l'air de combustion nécessaire aux brûleurs. Le réglage (le 4) les pieds qui ont un ajustage de 1-3/4" pour l'équipe exact et parfait avec d'autres unités.



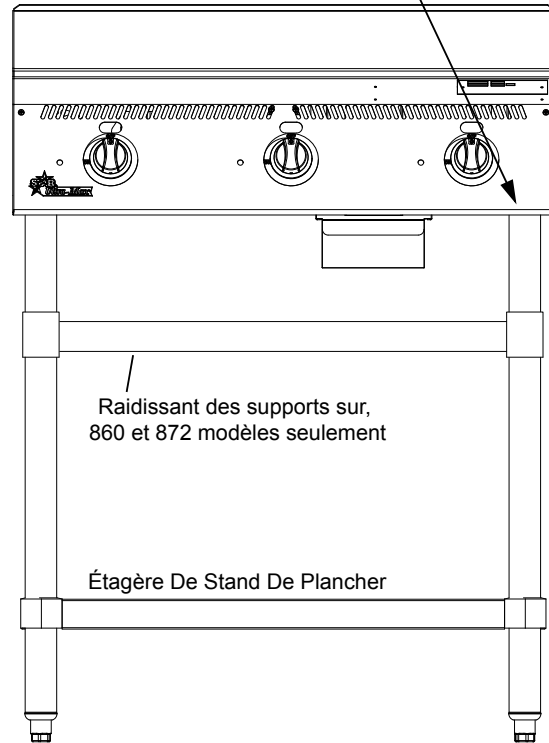
**Contre- Modèle Supérieur
Sur le Stand Facultatif de Matériel**



ATTENTION

**N'INSTALLEZ PAS SANS ATTACHER ES
PIEDS OU DES JAMBES ET L'ETAGERE
FOURNIES DE STAND.**

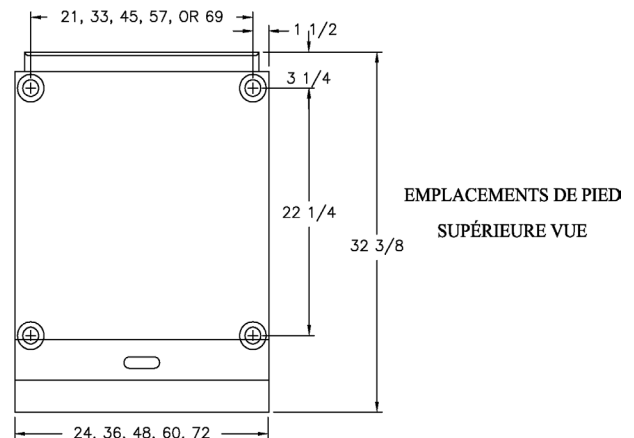
Vissez les jambes dans des
écrous de support sur le bas



Modèle de Stand de Plancher

IL2586-FR

Lots de roulettes: Des roulettes peuvent être utilisées avec les modèles de stand de plancher ou le stand de matériel facultatif. Pour d'installation la marque soigneusement et découpé le de bas de chaque jambe en utilisant une scie et un de-burr droits de découpage le mur intérieur de tube avant d'installer la roulette. La jambe de coupe devrait mesurer 19 " longueur de tube, longueur hors-tout. Les roulettes ajoutent environ 6-1/4 " de taille à l'unité. Soyez sûr d'utiliser des moyens approuvés de passe-fils pour protéger la connexion de ligne de gaz. Si un appareil est équipé des roulettes et est gaz lié à un rapide relie le couplage, tout le personnel doit se rendre compte qu'il y ait une contrainte sur l'appareil et si débranché pour le service ou le nettoyage qu'il doit être rebranché comme initialement installé avant l'utilisation.



TUYAUTERIE À GAZ

La taille de la tuyauterie à gaz et la façon dont elle est installée doivent être telles qu'elle fournisse une alimentation suffisante de gaz pour répondre aux exigences d'admission de pleine puissance dans l'appareil. S'il faut raccorder l'appareil à la tuyauterie existante, il faut vérifier cette dernière pour déterminer si elle a la capacité nécessaire. Il ne faut utiliser le composé combiné que modérément et seulement sur les filetages mâles des raccords à tuyaux. Ces composés doivent résister à l'action des gaz propane. **AVERTISSEMENT** : Toute impureté libre ou particule métallique qui entre dans les canalisations de gaz de cet appareil endommagera la vanne et en affectera le fonctionnement. Lors de l'installation de cet appareil, tous les tuyaux et raccords doivent être exempts de toute impureté interne libre.

RÉGULATEUR DE PRESSION DU GAZ

Un régulateur de pression convertible est équipé de chaque gauffreuse. Il devrait être relié dans le tuyau d'admission à l'arrière de l'unité. L'offre de gaz est alors reliée à elle. La pression d'approvisionnement au régulateur ne doit pas excéder 1/2 psig. Si la pression du gaz va vers le régulateur sur la sellette dépasse 1/2 PSIG, puis un autre régulateur doit être installé pour abaisser la pression allant jusqu'à lui. Cette deuxième régulateur n'est pas fourni avec la crêpière et incombe aux clients. Toutes les unités sont expédiées pour l'usage avec le gaz naturel. Les modèles de M et de séries de T sont positionnement expédié pour 5 " pression de tubulure de colonne de l'eau. Les modèles de série de SOLIDES TOTAUX et de TSCHS sont positionnement expédié pour 5" pression de tubulure de colonne de l'eau.

VANNE D'ARRÊT MANUELLE

Une valve coupée manuelle devrait être installée en amont de la tubulure et à moins de six pieds du grill. La vanne d'arrêt est pas fourni avec la crêpière et incombe aux clients.

RACCORD DE LA CANALISATION DE GAZ

La prise de gaz du grill est scellée à l'usine pour empêcher l'entrée de la saleté. Ne retirez pas ce joint jusqu'à ce que le rapport réel soit établi à la canalisation d'alimentation de gaz.

GAZ PROPANE - CONVERSION

Cette gauffreuse est équipée des capots fixes d'orifice et est expédiée de l'usine pour l'usage avec le gaz naturel. Pour convertir en gaz de propane installez les capots de l'orifice #52 situés derrière le panneau avant comme suit:

1. Retirez le panneau avant en retirant les vis plac sur l'avant et le bas.
2. Retirez les vis de support de brûleur au centre de l'accès de chambre de combustion couvre.
3. Glissez les brûleurs dégagent les capots d'orifice.
4. Retirez les capots d'orifice de gaz naturel et installez les capots d'orifice de propane.
5. Glissez les brûleurs en arrière au-dessus des capots d'orifice et réinstallez les vis de support de brûleur.
6. Réinstallez le panneau avant.
7. Placez le régulateur de pression à 10 " colonne de l'eau (de 25.4cm) en retirant le chapeau rainé ou d'hexa du centre du régulateur. Inversez la prise et la réinstallez. Les lettres " LP " seront maintenant visibles sur la prise. Réinstallez le chapeau. Un 1/8 " prise de pipe est situé sur la tubulure pour attacher un indicateur de pression.

LA VÉRIFICATION LE GAZ FUIT

Vérifier l'étanchéité de toute la tuyauterie. Pour vérifier l'étanchéité, il faut utiliser une solution de savon et d'eau ou une autre matière acceptable pour ce but.



ATTENTION

Ne pas utiliser d'allumettes, la flamme d'une chandelle ou d'autres sources d'allumage.

ALLUMER DES INSTRUCTIONS

Quand la gauffreuse est d'abord allumée, il fumera jusqu'à ce que les huiles et les impuretés de préservatif soient consommées. Les gauffreuses sont équipées des pilotes debout et devraient être allumées juste après que le gaz est allumé.

LA COMMANDE MANUELLE DE VALVE ET D'ÉTRANGLEMENT MODÈLE

1. Arrêtez la valve principale à l'unité et attendez 5 minutes au gaz clair.
2. Arrêtez toutes les molettes et soupapes de commande.
3. Ouvrez la valve principale à l'unité et allumez tous les pilotes.
4. Tournez les molettes de brûleur à la position désirée.
5. Pour arrêter des brûleurs, tournez les molettes à hors fonction.

MODÈLES EXTÉRIEURS INSTANTANÉS DE THERMOSTAT ET DE CHROME D'ACTION

1. Arrêtez la valve principale à l'unité et attendez 5 minutes au gaz clair.
2. Arrêtez le commutateur de puissance et tournez les thermostats à la plus basse configuration.
3. Ouvrez la valve principale.
4. Enfoncez et tenez le bouton pilote de remise de sûreté. Allumez le pilote. Tenez le bouton de remise pendant 60 secondes ou jusqu'aux séjours pilotes s'est allumé. Répétition pour tous les pilotes.
5. Mettez en marche le commutateur de puissance et placez les thermostats à la position désirée.
6. Pour arrêter des brûleurs, arrêtez le commutateur de puissance.

RÉGLAGE PILOTE DE FLAMME

Les grils sont équipés des pilotes debout et devraient être allumés juste après que le gaz est allumé.

MODÈLES MANUELS DE COMMANDE DE VALVE ET D'ÉTRANGLEMENT

Ajustez la flamme aussi basse que possible tout en fournissant toujours l'allumage immédiat de brûleur quand le bouton de commande est tourné à la haute.

MODÈLES EXTÉRIEURS INSTANTANÉS DE THERMOSTAT ET DE CHROME D'ACTION Ajustez le pilote tellement approximativement 3/8 " de l'extrémité de thermocouple est entouré par la flamme pilote.

RÉGLAGE D'OBTURATEUR D'AIR DE BRÛLEUR

L'obturateur d'air de brûleur a une vis de blocage du côté inférieur du venturi. Desserrez cette vis pour faire tout réglage et pour serrer la vis pour verrouiller l'obturateur d'air en place après que le réglage soit complet. Tout réglage doit être fait quand le brûleur est à la pleine entrée avant que la configuration de la température de commande ait été satisfaite.

1. Tournez le bouton de commande à la position la plus élevée et observez la flamme de brûleur.
2. Diminuez lentement l'ouverture d'obturateur d'air jusqu'à ce que la flamme soit un bleu mou avec des extrémités jaunes, puis augmentez l'ouverture jusqu'à ce que les extrémités jaunes disparaissent et la flamme est un bleu dur.
3. N'ouvrez pas l'obturateur à un point où la flamme est instable ou se soulève de la surface de brûleur. La flamme doit être régulière et même à travers le brûleur entier.

LE RÉGLAGE DE DÉVIATION SUR LA COMMANDE D'ÉTRANGLEMENT MODÈLE SEULEMENT

Les modèles de commande d'étranglement ont une configuration minimum de flamme qui fournit une flamme uniforme régulière à travers le brûleur quand la configuration de la chaleur de commande a été satisfaite.

1. Placez la commande à la configuration et à l'attente de maximum la flamme de brûleur à la commande de puissance en arrière.
2. Tournez le cadran à la configuration de 200 degrés. Une petite flamme régulière devrait être visible sur tous les ports de brûleur. Cette flamme devrait être approximativement 1/8 " de haut.
3. Une vis d'approche est placée de l'avant ou du côté du logement de commande.
4. Tournez dans le sens des aiguilles d'une montre pour diminuer la taille de flamme; tournez dans le sens contraire des aiguilles d'une montre pour augmenter la flamme.

CONNEXION ÉLECTRIQUE POUR L'ACTION INSTANTANÉE ET LES MODÈLES EXTÉRIEURS DE CHROME SEULEMENT

Des grils extérieurs instantanés d'action et de chrome sont équipés d'une trois-fourche fondant la prise. L'unité est conçue pour l'usage sur 120 un circuit monophasé à C.A. de cycle de l'ampère 50/60 de volt 15 seulement. Pour la protection contre le choc électrique, l'unité doit être branchée directement à un réceptacle correctement fondé de trois-fourche. Ne coupez pas ou ne retirez pas la fourche fondante de cette prise.

INSTRUCTIONS DE FONCTIONNEMENT

EN ASSAISONNANT LA SURFACE de CHAUFFAGE de GRIL (SURFACES de NON-CHROME)

Nettoyez la surface de gril complètement. Après que le gril ait été complètement nettoyé, il devrait être assaisonné pour empêcher la nourriture de coller. Avant utilisation et après chaque récurage complet, assaisonnez la surface de chauffage de gril de la façon suivante:

1. Tournez le cadran de commande de la température à 350°F (174.0°C).
2. En utilisant un tissu propre, pas une spatule, a répandu une couche mince d'huile de cuisine ou de graisse au-dessus du gril faisant cuire la surface. Ce film devrait rester la demi-heure chaude de surface de gril.
3. Retirez gros excessif et le chiffon propres.
4. Appliquez un autre film d'huile de cuisine au-dessus de la zone chaude de cuisine pour une autre demi-heure, et encore retirez gros excessif et essuyez. La surface de gril devrait maintenant être opérationnelle.

Même avec la nourriture soigneuse d'assaisonnement peut, dans une certaine mesure, bâton au gril la cuisine de la surface jusqu'à ce que le plat de gril "soit cassé dedans." CUISINE

Placez la molette de cadran à la configuration désirée. Après une période de préchauffage de 30 minutes (minimum), le gril mettra à jour automatiquement la température choisie.

SOIN de GRIL (SURFACES de NON-CHROME)

Il prend le temps et l'effort très petits de maintenir le gril attrayant et exécutant en haut l'efficacité. Si la graisse est autorisée pour s'accumuler, elle pour un gâteau gommeux et carboniser alors dans une substance dure il est extrêmement difficile retirer que. Pour empêcher cette condition, les suggestions suivantes pour la propreté devraient être suivies:

1. Après que chaque utilisation, éraflent le gril avec un racleur ou une spatule flexible pour enlever la graisse et la nourriture excessives. Un tiroir de rebut est donné pour les raclures. S' il y a une accumulation brûler-sur de graisse et de nourriture, le gril devrait être complètement récuré et reseasoned. Utilisez la pierre de renovation ou de gril tandis que le gril est chaud. N'utilisez pas les laines en acier en raison du danger des rubans en acier entrant dans la nourriture.
2. Employez un tissu propre et un bon décapant non-abrasif pour nettoyer le corps d'acier inoxydable du gril. Essuyez l'avant de pupitre de commande avec un tissu mou.
3. Du moins une fois par jour, retirent le tiroir de rebut et lavent de la même manière qu'une batterie de cuisine ordinaire. Le tiroir est retiré en tirant en avant, vers le haut de et dehors.

SOIN de GRIL (SURFACES de CHROME)

(Des grils extérieurs de chrome sont identifiés par "CHS" à la fin de la désignation de numéro de type sur la plaque signalétique.) Elle prend le temps très petit et l'effort de maintenir ce scintillement extérieur de gril industriel de chrome propre et exécuter en haut l'efficacité. Ne laissez pas la graisse s'accumuler car il carbonisera et deviendra difficile de retirer. Pour empêcher cette condition, les suggestions suivantes de nettoyage devraient être suivies:

1. Enlevez l'excédent d'huile et la nourriture régulièrement avec des 4 " (100mm) racleur pointu de type de rasoir large et essuyez la surface avec un tissu humide si désiré.
2. Après l'éraflure, pour la fin du nettoyage de jour, un tissu et un a humides non-silicated, décapant non abrasif et non-chloré tel que la fève que l'ami peut être utilisé pour essuyer propre extérieur, suivi de l'essuyage avec le tissu humide propre.
3. Suivez les étapes 2 et 3 du soin de gril (non surfaces de chrome).



ATTENTION

1. N'utilisez jamais la renovation, les pierres de gril, ou les abrasifs sur la surface.
2. Ne frappez jamais la surface de gril avec un instrument ou un bord pointu de spatule.
3. N'utilisez jamais les laines en acier.
4. N'utilisez jamais le décapant liquide commercial de gril sur la surface de gril.
5. Maltraiter la surface vide la garantie.

DE REBUT TIROIR

Un tiroir de rebut est situé à l'avant et peut être retiré de l'avant pour nettoyer en tirant le tiroir en avant. Ce tiroir devrait être contrôlé et vidé si nécessaire ou au moins une fois par jour.



ATTENTION

PRENEZ LE SOIN EXTRÊME EN MANIPULANT LE TIROIR DE REBUT CONTENANT LA GRAISSE CHAUDE.

ARRÊT DURANT LA NUIT MODÈLES

MANUELS DE COMMANDE DE VALVE ET D'Étranglement

Arrêtez les molettes à la position de repos aux brûleurs de tour.

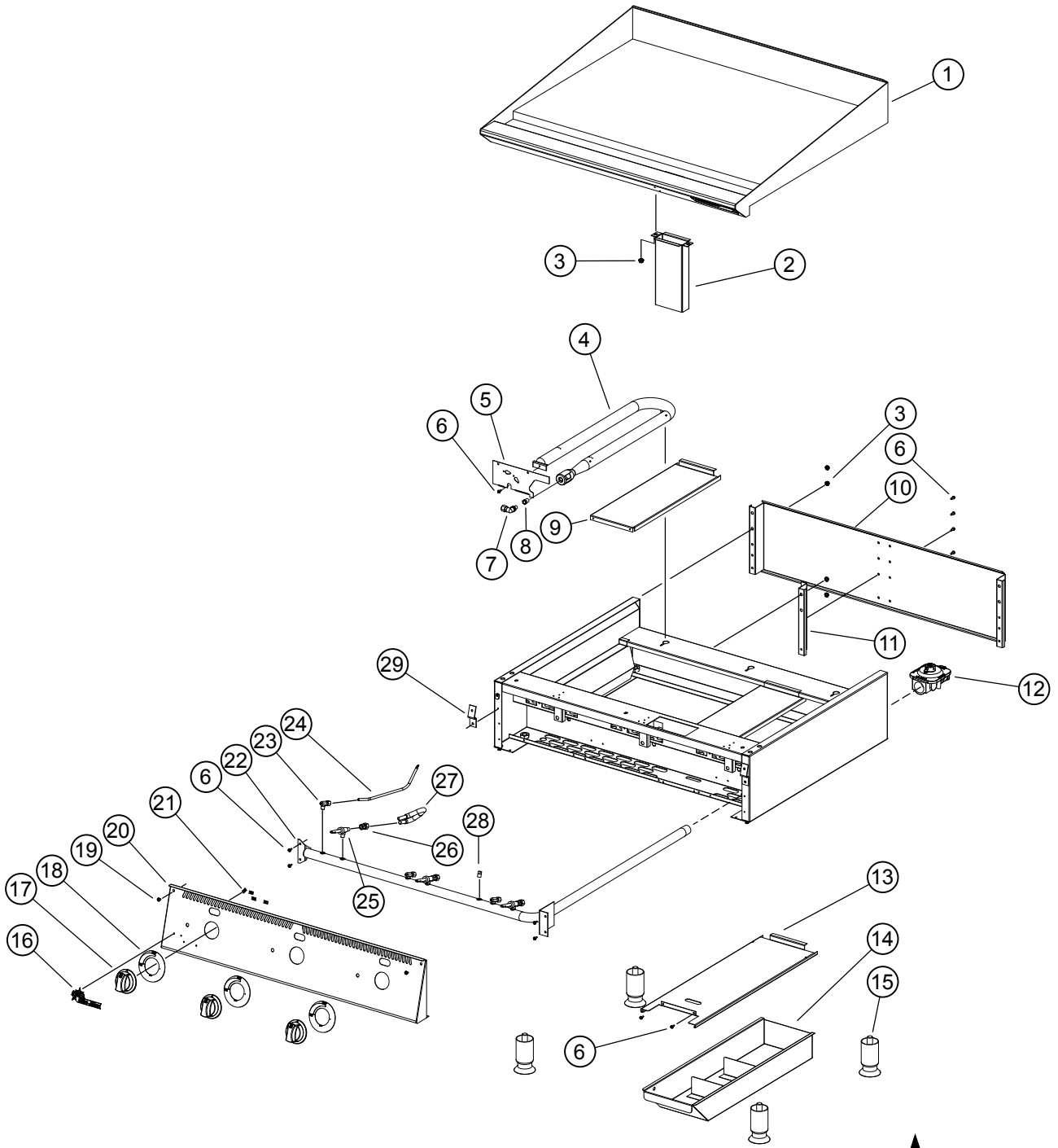
CASSEZ L'CAction ET LES MODÈLES EXTÉRIEURS DE CHROME

Tournez les molettes à la plus basse configuration et arrêtez le commutateur de puissance.

EXCLUSIONS LIMITÉES DE GARANTIE DE SURFACE DE GRIL DE CHROME

Votre gril de chrome a été conçu pour vous donner beaucoup d'années de faire cuire la fiabilité et exige de l'entretien minimum de maintenir la surface de chrome dans son état initial. Toutes les surfaces de gril de chrome sont justifiées pendant une période de 5 ans contre des défauts de fabrication au propriétaire initial de la date de l'installation. Cette garantie limitée est vide si elle est déterminée par Star Manufacturing International Incorporated ou un de ses représentants autorisés que la surface de chrome a été abusée ou maltraitée ou soumise aux situations suivantes:

1. Incorrectement installé.
2. Sautez les réglages non réglés correctement sur des unités de gaz en permettant à l'appareil de surchauffer et décolorer la surface de chrome. (Voir la section de réglage de déviation.)
3. L'abus de tout instrument ou outil qui rayent ou font des impressions dans la surface qui pourrait causer la surface à la peau, s'écailler, ou ébrécher hors fonction.
4. L'utilisation de tout produit chimique ou solution abrasive de nettoyage, brique de gauffreuse, pierre, écran ou d'autres produits de nettoyage qui pourraient endommager et affectent l'exécution de la surface de chome.
5. La négligence de l'entretien courant quotidien sur la surface de chrome.



2M-Z16558; Ultra-Max Gas Griddle

Model: 836MA, Manual Control
Ultra-Max Gas Griddle



SK2623, Rev. A 12/11/12

PARTS LIST

December 26, 2013, Rev B

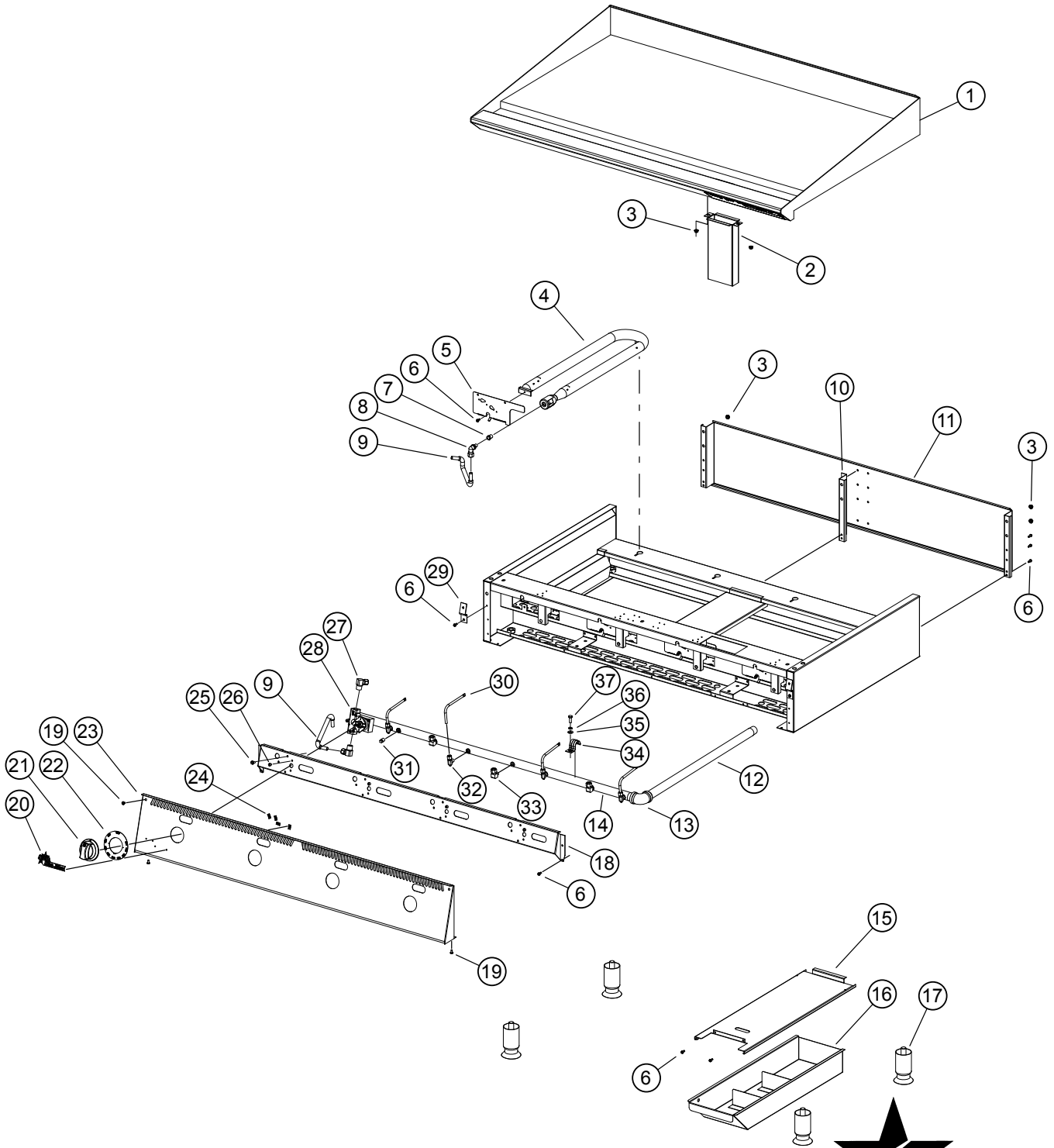
Model: 824MA, 836MA, 848MA, 860MA, 872MA Gas Griddle, Manual Control				
Fig No	Part No.	Qty	Description	Application
1	G5-824037	1	GRIDDLE PLATE ASSY-MANUAL	824MA
	G5-836037			836MA
	G5-848037			848MA
	G5-860037			860MA
	G5-872037			872MA
2	G5-824012	1	CHUTE ASSEMBLY	824, 836, 848
		2		860, 872
3	2C-Z2893	AR	NUT 10-24 HEX STL ZP	
4	2F-Z4613	2	BURNER 824 SERIES	824MA
		3		836MA
		4		848MA
		5		860MA
		6		872MA
5	G5-Z16155	2	BURNER COVER PLATE	824MA
		3		836MA
		4		848MA
		5		860MA
		6		872MA
6	2C-8833	AR	SCREW 8-18X1/2 HEX STL NP	
7	2A-9369	2	ORIFICE-FITTING	824MA
		3		836MA
		4		848MA
		5		860MA
		6		872MA
8	2A-Z4930	2	ORIFICE #41	824MA
		3		836MA
		4		848MA
		5		860MA
		6		872MA
	2A-Z4931	2	ORIFICE #52 BLK	824MA
		3		836MA
		4		848MA
		5		860MA
		6		872MA
9	G5-Z4798	1	BURNER BAFFLE	824MA
		2		836MA
		3		848MA
		4		860MA
		5		872MA
10	G5-Z4812	1	FLUE 24"	824MA
	G5-Z4813		FLUE 36"	836MA
	G5-Z4814		FLUE 48"	848MA
	G5-Z4815		FLUE 60"	860MA
	G5-Z4816		FLUE 72"	872MA
11	G5-Z4817	1	FLUE DIVIDER	824, 836, 848, 860
		2	FLUE DIVIDER	872
12	2J-Z4686	1	REGULATOR-3/4 X 3/4	
13	G5-Z4897	1	DRAWER SLIDE	824, 836, 848
		2		860, 872
14	G5-824014	1	GREASE DRAWER ASSY	824, 836, 848
		2		860, 872
15	2R-Z19119	4	FOOT, TAPERED STEEL	

Model: 824MA, 836MA, 848MA, 860MA, 872MA Gas Griddle, Manual Control				
Fig No	Part No.	Qty	Description	Application
16	2M-Z15805	1	ULTRA MAX LOGO	
17	I4-Z15484	2	KNOB ASSEMBLY LG GAS KEYB	824MA
		3		836MA
		4		848MA
		5		860MA
		6		872MA
18	2M-Z15245	2	KNOB LABEL ULTRAMAX	824MA
		3		836MA
		4		848MA
		5		860MA
		6		872MA
19	2C-200014	AR	SCREW 8-32X3/8 THP SS	
20	G5-Z16406	1	FRONT PANEL - 824MA	824MA
	G5-Z15203		FRONT PANEL - 836TA	836MA
	G5-Z16407		FRONT PANEL - 848	848MA
	G5-Z16408		FRONT PANEL - 60"	860MA
	G5-Z16409		FRONT PANEL - 72"	872MA
21	2C-8477	4	CLIP .125 PO STL PHOS	
22	2K-Z15272	1	MANIFOLD - 824MA/ISA	824MA
			MANIFOLD - 836MA/TSA	836MA
			MANIFOLD - 848MA/ISA	848MA
			MANIFOLD - 860MA/ISA	860MA
			MANIFOLD - 872MA/ISA	872MA
23	2V-6671	2	VALVE-LINCOLN BRASS#3817	824MA
		3		836MA
		4		848MA
		5		860MA
		6		872MA
24	2V-Z15280	2	PILOT BURNER MANUAL	824MA
		3		836MA
		4		848MA
		5		860MA
		6		872MA
25	2V-Y8832	2	VALVE-MANUAL GAS	824MA
		3		836MA
		4		848MA
		5		860MA
		6		872MA
26	2A-Z0790	2	FITTING-STRAIGHT	824MA
		3		836MA
		4		848MA
		5		860MA
		6		872MA
27	2K-Z4921	2	BURNER TUBE FLEX 3/8 OD	824MA
		3		836MA
		4		848MA
		5		860MA
		6		872MA
28	2P-1453	1	PLUG-PIPE 1/8NPT SQ HD	836MA
29	I5-Z16262	2	FRONT PANEL SIDE BRACKET	
NI	2J-Z4686	1	RGLTR-GAS 3/4X3/4, CONVERTABLE	

2M-Z16558; Ultra-Max Gas Griddle

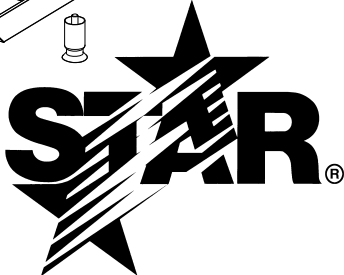


Star International Holdings Inc. Company



2M-Z16558; Ultra-Max Gas Griddle

Model: 848TA, T-Stat Control
 Ultra-Max Gas Griddle



SK2631, Rev. - 12/11/12

PARTS LIST

December 26, 2013, Rev B

Model: 824TA, 836TA, 848TA, 860TA, 872TA Gas Griddle, Thermostat Control				
Fig No	Part No	Qty	Description	Application
1	G5-824032	1	GRIDDLE PLATE GAS STEEL/CHROME (TCHSA)	824TA
	G5-824033			824TCHSA
	G5-836032			836TA
	G5-836033			836TCHSA
	G5-848032			848TA
	G5-848033			848TCHSA
	G5-860032			860TA
	G5-860033			860TCHSA
	G5-872032			872TA
	G5-872033			872TCHSA
2	G5-824012	1	CHUTE ASSEMBLY	824TA, 836TA, 848TA
		2		860TA, 872TA
3	2C-Z2893	8	NUT 10-24 HEX STL ZP	824TA
		11		836TA, 848TA
		13		860TA
		16		872TA
4	2F-Z4613	2	BURNER 824 SERIES	824TA
		3		836TA
		4		848TA
		5		860TA
		6		872TA
5	G5-Z16155	2	BURNER COVER PLATE	824TA
		3		836TA
		4		848TA
		5		860TA
6	2C-8833	6	SCREW 8-18X1/2 HEX STL NP	872TA
		31		824TA
		42		836TA
		45		848TA
		56		860TA
		74		872TA
7	2J-Z16923	2	ORIFICE HOOD #38, NAT	824TA
		3		836TA
		4		848TA
		5		860TA
		6		872TA
		2A-Z4931		2
	3		836TA	
	4		848TA	
	5		860TA	
	8	2A-9369	2	ORIFICE-FITTING
3			836TA	
4			848TA	
5			860TA	
6			872TA	
9			2K-70104-03	
	6	836TA		
	8	848TA		
	10	860TA		
	12	872TA		
10	G5-Z4817	1	FLUE DIVIDER	824TA, 836TA, 848TA, 860TA
		2		872TA

Model: 824TA, 836TA, 848TA, 860TA, 872TA Gas Griddle, Thermostat Control						
Fig No	Part No	Qty	Description	Application		
11	G5-Z4812	1	FLUE 24"	824TA		
				G5-Z4813	FLUE 36"	836TA
				G5-Z4814	FLUE 48"	848TA
				G5-Z4815	FLUE 60"	860TA
				G5-Z4816	FLUE 72"	872TA
12	2K-Z15231	1	PIPE SEG - 3/4x24.00 BI	848TA		
13	2K-Z4611	1	ELBOW 3/4 NPT	848TA		
14	2K-Z16583	1	MANIFOLD PIPE 824T	824TA		
				2K-Z16584	MANIFOLD PIPE - 836TA	836TA
				2K-Z16585	MANIFOLD PIPE - 848TA	848TA
				2K-Z16586	MANIFOLD PIPE 860T	860TA
				2K-Z16587	MANIFOLD PIPT 872TA	872TA
15	G5-Z4897	1	DRAWER SLIDE	824TA, 836TA, 848TA		
		2		860TA, 872TA		
16	G5-824014	1	GREASE DRAWER ASSY	824TA, 836TA, 848TA		
		2		860TA, 872TA		
17	2R-Z19119	4	FOOT, 4" TAPERED, STEEL			
18	G5-Z16588	1	T-STAT BRKT 824TA	824TA		
				G5-Z16589	T-STAT BRKT 836TA	836TA
				G5-Z16590	T-STAT BRKT 848TA	848TA
				G5-Z16591	T-STAT BRKT 860TA	860TA
				G5-Z16592	T-STAT BRKT 872TA	872TA
19	2C-200014	4	SCREW 8-32X3/8 THP SS	ALL		
20	2M-Z15805	1	ULTRA MAX LOGO	848TA		
21	G3-624329	2	KNOB ASSY LG GS/K KEYR	824TA		
		3		836TA		
		4		848TA		
		5		860TA		
		6		872TA		
		22		2M-Z15214	2	DIAL GRAPHIC - 550F TA
3	836TA					
4	848TA					
5	860TA					
6	872TA					
23	G5-Z16516		1		FRONT PNL 24" TA	
		G5-Z16515		FRONT PANEL 836TA		836TA
		G5-Z16514		FRONT PANEL 48" TA		848TA
		G5-Z16513		FRONT PNL 60" TA		860TA
		G5-Z16512		FRONT PANEL 72" TA		872TA
24	2C-8477	2	CLIP .125 PO STL PHOS	848TA		
25	2C-Z5883	6	10-24 X 1/2 FZA SCREW	824TA		
		8		836TA		
		12		848TA, 872TA		
		16		860TA		

2M-Z16558; Ultra-Max Gas Griddle



Star International Holdings Inc. Company

PARTS LIST

December 26, 2013, Rev B

Model: 824TA, 836TA, 848TA, 860TA, 872TA Gas Griddle, Thermostat Control				
Fig No	Part No	Qty	Description	Application
26	2C-Z8547	2	SCREW, 6-32 SHOULDER	824TA
		3		836TA
		4		848TA
		5		860TA
		6		872TA
27	2K-2675	4	ELL90 3/8MPTX3/8CC BRASS	824TA
		6		836TA
		8		848TA
		10		860TA
		12		872TA
28	2T-Z16593	2	T-STAT GAS GS 550F	824TA
		3		836TA
		4		848TA
		5		860TA
		6		872TA
29	G5-Z16703	2	FRNT PANEL BRKT	ALL
30	2V-Z15281	2	PILOT BURNER	824TA
		3		836TA
		4		848TA
		5		860TA
		6		872TA
31	2P-1453	1	PLUG-PIPE 1/8NPT SQ	848TA
32	2V-6671	2	VALVE-LINCOLN BRASS#3817	824TA
		3		836TA
		4		848TA
		5		860TA
		6		872TA

2M-Z16558; Ultra-Max Gas Griddle



Star International Holdings Inc. Company

LIMITED EQUIPMENT WARRANTY

Star Manufacturing [as well as its subsidiaries, Toastmaster and Holman] warranties new products to be free from defects in material and/or workmanship for a period of one [1] year from the date of original installation, except as noted below. Defects that occur as a result of normal use, within the time period and limitations defined in this warranty, will at Star’s discretion have the parts replaced or repaired by Star or a Star-authorized service agency.

THIS WARRANTY IS SUBJECT TO ALL LISTED CONDITIONS.

Repairs performed under this warranty are to be performed by a Star authorized service agency. Star will not be responsible for charges incurred or service performed by non-authorized repair agencies. In all cases, the nearest Star-authorized service agency must be used. Star will be responsible for normal labor charges incurred in the repair or replacement of a warranted product within 50 miles (80.5 km) of an authorized service agency. Time and expense charges for anything beyond that distance will be the responsibility of the owner. All labor will need to be performed during regular service hours. Any overtime premium will be charged to the owner. For all shipments outside the U.S.A. and Canada, please see the International Warranty for specific details. It is the responsibility of the owner to inspect and report any shipping damage claims, hidden or otherwise, promptly following delivery. No mileage or travel charges will be honored on any equipment that is deemed portable. In general, equipment with a cord and plug weighing less than 50 lb. (22.7 kg) is considered portable and should be taken or shipped to the closest authorized service agency, transportation prepaid.

PORTABLE EQUIPMENT EXAMPLES

- 514LL fryer
- 15MC and 18MCP hot food merchandisers
- QCS1, QCS2, and RCS2 toasters
- 16PD-A pretzel merchandisers
- Condiment dispensers except HPD- and SPD-series models
- All pop-up toasters
- All pastry display cabinets
- All heat lamps
- J4R popcorn machine
- 12NCPW and 15NCPW nacho merchandisers
- Nacho cheese warmers except 11WLA-series models
- Specialty food warmers except 13OR, 11RW, and 11WSA models
- All butter dispensers
- All nacho chip merchandisers
- All accessories

CONTACT

Should you require any assistance regarding the operation or maintenance of any Star equipment; write, phone, fax or email our service department. In all correspondence mention the model number and serial number of your unit, as well as the voltage or type of gas you are using.

Business hours are 8:00 a.m. to 4:30 p.m. Central Standard Time (CST)

Telephone: (800)-264-7827

Fax: (314)-781-2714

Email: Customerservice@star-mfg.com

www.star-mfg.com

WARRANTY EXCLUSIONS

THE FOLLOWING WILL NOT BE COVERED UNDER WARRANTY.

- Any product which has not been used, cleaned, maintained, or installed in accordance with the directions published in the appropriate installation sheet and/or owner’s manual as well as national and local codes, including incorrect gas, electrical, or water connection. Star is not liable for any unit which has been mishandled, abused, misapplied, subjected to chlorides, harsh chemicals, or caustic cleaners, damaged from exposure to hard water, modified by unauthorized personnel, damaged by flood, fire, or other acts of nature [or God], or which have an altered or missing serial number.
- Installation, labor, and job checkouts, calibration of heat controls, air and gas burner/bypass/pilot adjustments, gas or electrical system checks, voltage and phase conversions, cleaning of equipment, or seasoning of griddle surface.
- Replacement of fuses or resetting of circuit breakers, safety controls, or reset buttons.
- Replacement of broken or damaged glass components, quartz heating elements, and light bulbs.
- Labor charges for all removable parts in gas charbroilers and hotplates, including but not limited to burners, grates, and radiants.
- Any labor charges incurred by delays, waiting time, or operating restrictions that hinder a service technician’s ability to perform service.
- Replacement of items subject to normal wear or items that can easily be replaced during a daily cleaning routine, such as but not limited to knobs, bulbs, fuses, quartz heating elements, baskets, racks, and grease drawers.
- Components that should be replaced when damaged or worn, but have been field-repaired instead [eg. field-welded fry pots]
- Any loss of business or profits.

PRODUCTS	PARTS	LABOR
Star-Ultra Max® fryers, griddles, charbroilers, and hotplates	2 years	2 years
Star-Max® fryers, griddles, charbroilers, and hotplates	2 years	2 years
Jetstar® popcorn poppers	2 years	2 years
Staltek™ roller grill coatings	5 years	
Cast iron grates, burners; and burner shields	180 days	
Star, Toastmaster, or Holman parts sold to repair equipment	90 days	
Service First	1 year	