

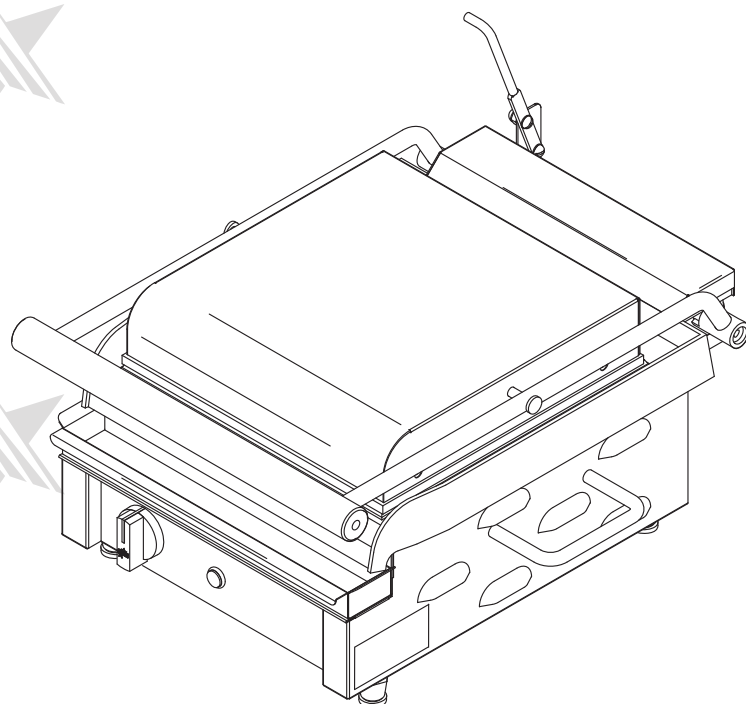


# **TWO SIDED GRILLS**

MODEL  
GX10IG, IS, ISG  
GX14IG, IS, ISG  
GX20IG, IS, IGS

## **Installation and Operation Instructions**

2M-Z7971 Rev. L 12/2018



GX10IG



## SAFETY SYMBOL



These symbols are intended to alert the user to the presence of important operating and maintenance instructions in the manual accompanying the appliance.

---

## RETAIN THIS MANUAL FOR FUTURE REFERENCE NOTICE

Using any part other than genuine Star factory supplied parts relieves the manufacturer of all liability.

Star reserves the right to change specifications and product design without notice. Such revisions do not entitle the buyer to corresponding changes, improvements, additions or replacements for previously purchased equipment.

Due to periodic changes in designs, methods, procedures, policies and regulations, the specifications contained in this sheet are subject to change without notice. While Star International Holdings Inc., Company exercises good faith efforts to provide information that is accurate, we are not responsible for errors or omissions in information provided or conclusions reached as a result of using the specifications. By using the information provided, the user assumes all risks in connection with such use.

## MAINTENANCE AND REPAIRS

Contact your local authorized service agent for service or required maintenance.

Please record the model number, serial number, voltage and purchase date in the area below and have it ready when you call to ensure a faster service.

Model No. \_\_\_\_\_  
Serial No. \_\_\_\_\_  
Voltage \_\_\_\_\_  
Purchase Date \_\_\_\_\_

### Authorized Service Agent Listing

Reference the listing provided with the unit

or

for an updated listing go to:

**Website:** [www.star-mfg.com](http://www.star-mfg.com)  
**E-mail** [customerservice@star-mfg.com](mailto:customerservice@star-mfg.com)

### Service Help Desk

**Business Hours:** 8:00 am to 4:30 p.m. Central Standard Time

**Telephone:** (800) 264-7827

**Fax:** (314) 781-2714

**E-mail** [customerservice@star-mfg.com](mailto:customerservice@star-mfg.com)

**Website:** [www.star-mfg.com](http://www.star-mfg.com)

**Mailing Address:** Star Manufacturing International Inc.  
265 Hobson Street  
Smithville, TN 37166  
U.S.A

## GENERAL INSTALLATION DATA



### CAUTION

This equipment is designed and sold for commercial use only by personnel trained and experienced in its operation and is not sold for consumer use in and around the home nor for use directly by the general public in food service locations.

All shipping containers should be checked for freight damage both visible and concealed. This unit has been tested and carefully packaged to insure delivery of your unit in perfect condition. If equipment is received in damaged condition, either apparent or concealed, a claim must be made with the delivering carrier.

Concealed damage or loss - if damage or loss is not apparent until after equipment is unpacked, a request for inspection of concealed damage must be made with carrier within 15 days. Be certain to retain all contents plus external and internal packaging materials for inspection. The carrier will make an inspection and will supply necessary claim forms.

## VENTILATION AND CLEARANCES

The installation of any components such as a vent hood, grease extractors, and/or fire extinguishing systems, must conform to their applicable nationally recognized installation standards and/or local building codes.

## ELECTRICAL CONNECTION

Before making any electrical connection be sure to read data plate which is located at the bottom of the unit.

## ELECTRICAL GROUNDING INSTRUCTIONS

This unit is equipped with a 3-prong (grounding) plug for your protection against shock hazard and must be plugged directly into a properly grounded 3-prong receptacle.

**DO NOT CUT OR REMOVE THIS PLUG OR GROUNDING PRONG FROM THE PLUG.**



### WARNING

**CONNECT/PLUG UNIT INTO DEDICATED A.C. LINE ONLY SPECIFIED ON THE DATA PLATE OF THE UNIT.**

ELECTRICAL SPECIFICATIONS				
Model	Voltage	Rated Wattage	Amps	Plug
GX10IG	120V	1,400	11.7	NEMA 5-15P
	230V	1,650	7.2	BS 1363A (16amp)
	208/240V	1,350 / 1,800	6.5 / 7.5	NEMA 6-15P
GX10IS	120V	1,400	11.7	NEMA 5-15P
	230V	1,650	7.2	BS 1363A (16amp)
	208/240V	1,350 / 1,800	6.5 / 7.5	NEMA 6-15P
GX10ISG	120V	1,400	11.7	NEMA 5-15P
	230V	1,650	7.2	BS 1363A (16amp)
	208/240V	1,350 / 1,800	6.5 / 7.5	NEMA 6-15P
GX14IG	120V	1,800	15	NEMA 5-15P
	230V	2,570	11.2	BS 1363A (16 amp)
	208/240V	2,100 / 2,800	10.1 / 11.7	NEMA 6-15P
GX14IS	120V	1,800	15	NEMA 5-15P
	230V	2,570	11.2	BS 1363A (16 amp)
	208/240V	2,100 / 2,800	10.1 / 11.7	NEMA 6-15P
GX14ISG	120V	1,800	15	NEMA 5-15P
	230V	2,570	11.2	BS 1363A (16 amp)
	208/240V	2,100 / 2,800	10.1 / 11.7	NEMA 6-15P
GX20IG	208/240V	2,700 / 3,600	13 / 15	NEMA 6-20P
	230V	3,300	14.4	BS 1363A (16 amp)
GX20IGS	208/240V	2,700 / 3,600	13 / 15	NEMA 6-20P
	230V	3,300	14.4	BS 1363A (16 amp)
GX20IS	208/240V	2,700 / 3,600	13 / 15	NEMA 6-20P
	230V	3,300	14.4	BS 1363A (16 amp)



**CONNECT/PLUG UNIT INTO DEDICATED A.C. LINE ONLY SPECIFIED ON THE DATA PLATE OF THE UNIT.**

#### **INITIAL START UP**

Level unit using the adjustable feet under the unit (approximately 1/2" adjustment).

Before using the unit for the first time, wipe down the exterior and grilling area with a damp cloth. Take to a well ventilated area and heat for approximately 30 minutes. The grill may emit a small amount of smoke as the cooking surfaces reaches 450°F. Do not be alarmed, as the smoke is caused by oils associated with the manufacturing process and will stop when the burn off is complete. Brush off any debris from the grilling surface.

#### **SEASONING THE COOKING SURFACES**

The cooking surfaces must be "seasoned" in order to reduce product sticking. To season, bring grill to 300°F, until completed. Brush upper and lower cooking surfaces with a **salt free** liquid vegetable oil. If using an aerosol agent, first apply into a cup and then brush onto cooking surface. Let sit for 20 minutes, and then wipe clean using a warm damp cloth. Repeat if required.

#### **SETTING THE TEMPERATURE**

The thermostat control knob is used to set the temperature to your requirements. The maximum set point is 450°F (232°C), the minimum set point is 175°F (79°C). See Knob Settings.

#### **DAILY OPERATION**

Check the power cord to insure that it is plugged into a proper outlet.

Check that the thermostat control is turned on.

The pilot light will come on when the thermostat control goes past the 175°F.

Set the thermostat control knob to desired temperature.

Always allow 20 minutes of preheat time before loading the unit with product.

Failure to allow sufficient preheat time will result in unsatisfactory cooking of the first load.

## OPERATING HINTS AND SAFETY

Disconnect power to the unit with the switch at the end of each day of operation.

Do not leave the unit in operation without an attendant.

Turn thermostat down to 200°F (93°C) during idle periods. It will take only a few minutes to regain operating temperature.

Use spatula to push excess grease into grease cup after each load of food is cooked.

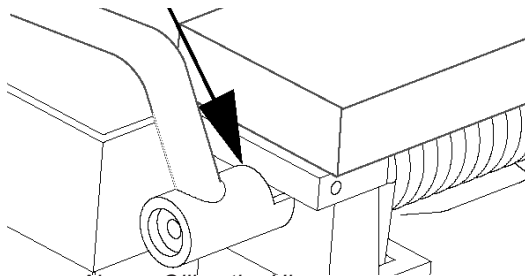
This will reduce smoking of hot grease and carbonizing.

Do not leave the unit at high temperature when not in use or during idle periods.

This will cause food particles and grease film to carbonize.

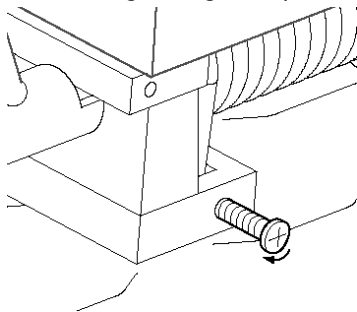
"Season" cooking surfaces with non-salted vegetable oil to reduce product sticking.

## MONTHLY LUBRICATION/INSPECTION



Above: Oiling the Hinge,

Below: Tightening the top housing



Apply two (2) drops of non-toxic mineral or vegetable oil to hinge bracket at the rear.

Check the bolts, screws and nuts, tighten if necessary.

## TOP HOUSING MAINTENANCE

The Spring setting which holds the top housing in the up position is set at the factory and should provide many years of use without the need of adjusting.

After an extended period of time the top housing may not maintain its original setting, therefore the spring tension can be adjusted by tightening and loosening the Retainer bolts on the back of the unit.

## CLEANING

While holding top lid with one hand, apply only cleaners which are safe for aluminum **and iron surfaces**. **Wipe with clean sponge or towel until unit is clean.**

1. If particles adhere to the cooking surface during the day, scrape them off with a spatula or stiff brush.

**NOTE:** It is best not to let food cook on to the grill, as build up of food on the grill will increase sticking and smoking. In addition, carbon may build up on the grill surface and reduce the cooking efficiency.

2. At the end of the day, wipe down all surfaces with a warm, damp cloth, use a mild detergent on all non-cooking areas and then dry entire unit.
3. Remove and empty to clean grease catcher cup as required using mild detergent and water.

## CLEANING CARBON BUILDUP

1. When carbon build up occurs, use a carbon removal agent to clean cooking surface. When this process is completed, you must re-season the grill (See Seasoning Grill).
2. Acidic cleaners are NOT recommended as a cleaning agent.



**DO NOT IMMERSE OR LET THE UNIT STAND IN WATER.**

**DO NOT HOSE DOWN THE UNIT OR THE TABLE/COUNTER IF THE UNIT IS ON THE TABLE/COUNTER.**

**KEEP AWAY FROM RUNNING WATER.**

## CLEANING cont



**CAUTION**

**DO NOT USE SHARP OBJECTS TO REMOVE CARBON BUILD-UP.  
BEFORE CLEANING MAKE SURE POWER IS TURNED OFF, UNIT IS  
UNPLUGGED AND IS NOT TOO HOT.**



**WARNING**

**DO NOT SPLASH WATER ON FRONT CONTROL PANEL!  
DO NOT SPLASH WATER ON FLEX CONDUIT CONNECTING TOP AND  
BOTTOM OF THE UNIT.**



**WARNING**

Do not use ice or cold water to clean the cooking surfaces when the unit is hot. The surfaces are cast aluminum or cast iron and may crack or deform under the shock of rapid temperature change.

## OPERATION TROUBLESHOOTING

### 1. Unit not heating.

- A. Check if unit is plugged in correct receptacle.
- B. Check incoming power line.
- C. Check that thermostat is set to proper temperature.

If unit still does not operate contact the factory or one of its representatives or a local service company for service or required maintenance.

## LIMITED EQUIPMENT WARRANTY

Star Manufacturing [as well as its subsidiaries] warranties new products to be free from defects in material and/or workmanship for a period of one [1] year from the date of original installation, except as noted below. Defects that occur as a result of normal use, within the time period and limitations defined in this warranty, will at Star's discretion have the parts replaced or repaired by Star or a Star-authorized service agency.

### THIS WARRANTY IS SUBJECT TO ALL LISTED CONDITIONS.

Repairs performed under this warranty are to be performed by a Star-authorized service agency. Star will not be responsible for charges incurred or service performed by non-authorized repair agencies. In all cases, the nearest Star-authorized service agency must be used.

Star will be responsible for normal labor charges incurred in the repair or replacement of a warrantied product within 50 miles (80.5 km) of an authorized service agency. Time and expense charges for anything beyond that distance will be the responsibility of the owner. All labor will need to be performed during regular service hours. Any overtime premium will be charged to the owner. For all shipments outside the U.S.A. and Canada, please see the International Warranty for specific details.

It is the responsibility of the owner to inspect and report any shipping damage claims, hidden or otherwise, promptly following delivery.

No mileage or travel charges will be honored on any equipment that is deemed portable. In general, equipment with a cord and plug weighing less than 50 lb. (22.7 kg) is considered portable and should be taken or shipped to the closest authorized service agency, transportation prepaid.

### PORTABLE EQUIPMENT EXAMPLES

- 514LL fryer
- 15MC and 18MCP hot food merchandisers
- QCS1, QCS2, and RCS2 toasters
- 16PD-A pretzel merchandisers
- condiment dispensers except HPD- and SPD-series models
- all pop-up toasters
- all pastry display cabinets
- all heat lamps
- J4R popcorn machine
- 12NCPW and 15NCPW nacho merchandisers
- nacho cheese warmers except 11WLA-series models
- specialty food warmers except 130R, 11RW, and 11WSA models
- all butter dispensers
- all nacho chip merchandisers
- all accessories

### CONTACT

Should you require any assistance regarding the operation or maintenance of any Star equipment; write, phone, fax or email our service department. In all correspondence mention the model number and the serial number of your unit, as well as the voltage or type of gas you are using.

Business hours are 8:00 a.m. to 4:30 p.m. Central Standard Time  
Telephone *Star/Toasmaster* 314.678.6306

Fax 314.781.2714

Email [customerservice@star-mfg.com](mailto:customerservice@star-mfg.com)

[www.star-mfg.com](http://www.star-mfg.com) • [www.toastmastercorp.com](http://www.toastmastercorp.com)

## WARRANTY EXCLUSIONS

THE FOLLOWING WILL NOT BE COVERED UNDER WARRANTY.

- Any product which has not been used, cleaned, maintained, or installed in accordance with the directions published in the appropriate installation sheet and/or owner's manual as well as national and local codes, including incorrect gas, electrical, or water connection. Star is not liable for any unit which has been mishandled, abused, misapplied, subjected to chlorides, harsh chemicals, or caustic cleaners, damaged from exposure to hard water, modified by unauthorized personnel, damaged by flood, fire, or other acts of nature [or God], or which have an altered or missing serial number.
- Installation, labor, and job checkouts, calibration of heat controls, air and gas burner/bypass/pilot adjustments, gas or electrical system checks, voltage and phase conversions, cleaning of equipment, or seasoning of griddle surface.
- Replacement of fuses or resetting of circuit breakers, safety controls, or reset buttons.
- Replacement of broken or damaged glass components, quartz heating elements, and light bulbs.
- Labor charges for all removable parts in gas charbroilers and hotplates, including but not limited to burners, grates, and radiants.
- Any labor charges incurred by delays, waiting time, or operating restrictions that hinder a service technician's ability to perform service.
- Parts that fail or are damaged due to normal wear or labor for replacement of Items that can easily be replaced during a daily cleaning routine. such as but not limited to silicone belts, PTFE non-stick sheets, knobs, control labels, bulbs, fuses, quartz heating elements, baskets, racks, and grease drawers.
- Components that should be replaced when damaged or worn, but have been field-repaired instead [eg. field-welded fry pots]
- Any loss of business or profits.

### ADDITIONAL WARRANTIES

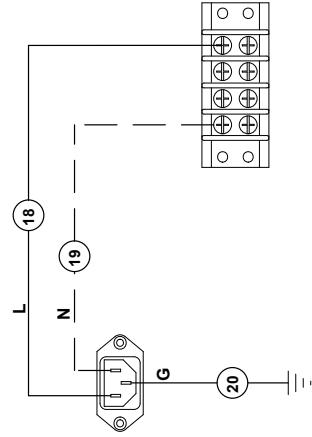
Specialty/chain specific versions may also have additional and/or extended warranties.

PRODUCTS	PARTS	LABOR
Star Ultra-Max® griddles, charbroilers, and hotplates	2 years	2 years
Star-Max® fryers, griddles, charbroilers, and hotplates	2 years	2 years
Jetstar® popcorn poppers	2 years	2 years
Staltek™ roller grill coatings	5 years	
chrome griddle surfaces [against peeling]	5 years	
cast iron grates, burners, and burner shields	180 days	
original Star or Toastmaster parts sold to repair Star or Toastmaster equipment	90 days	
Service First	1 year	

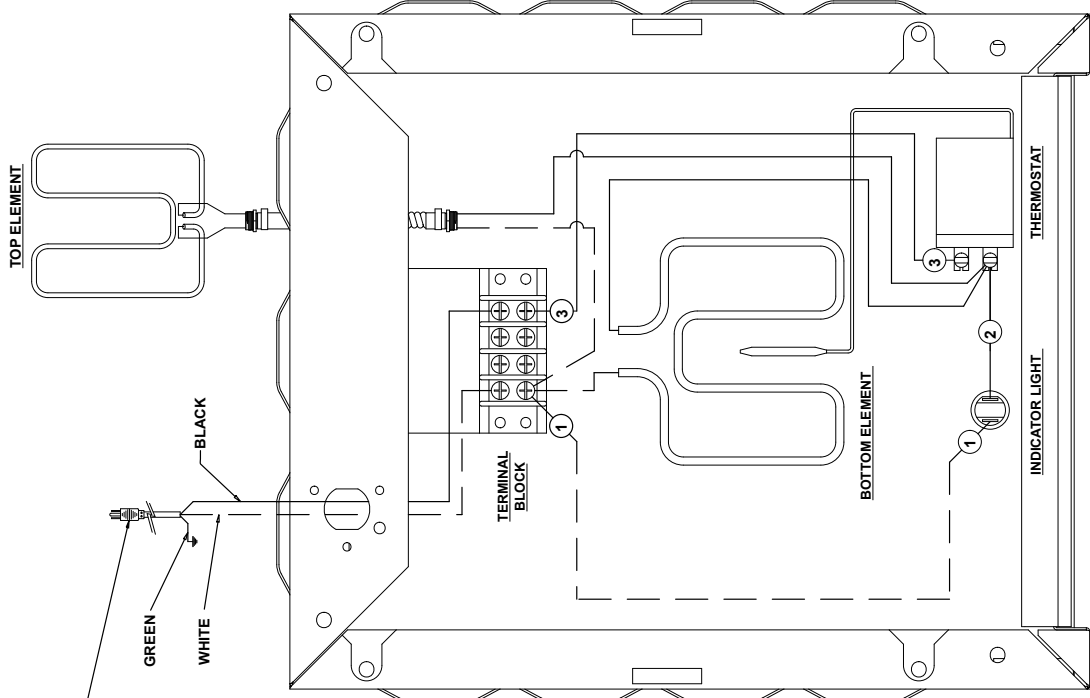
The foregoing warranty is in lieu of any and all other warranties expressed or implied and constitutes the entire warranty.

ZM-Z21647 • Rev D • 06.2018

15 AMP PLUG  
 NEMA 5-15P ON ALL 120V UNITS.  
 NEMA 6-15P ON 240V, 1,800 WATT UNITS.  
 20 AMP PLUG  
 NEMA 6-20P ON 240V, 3,600 WATT UNITS.  
 IEC 320 POWER INLET, 16 AMP RATING.  
 SEE SEPARATE SKETCH, 230V UNITS.



SOME ITEMS ARE INCLUDED FOR  
 ILLUSTRATIVE PURPOSES ONLY AND IN  
 CERTAIN INSTANCES MAY NOT BE AVAILABLE



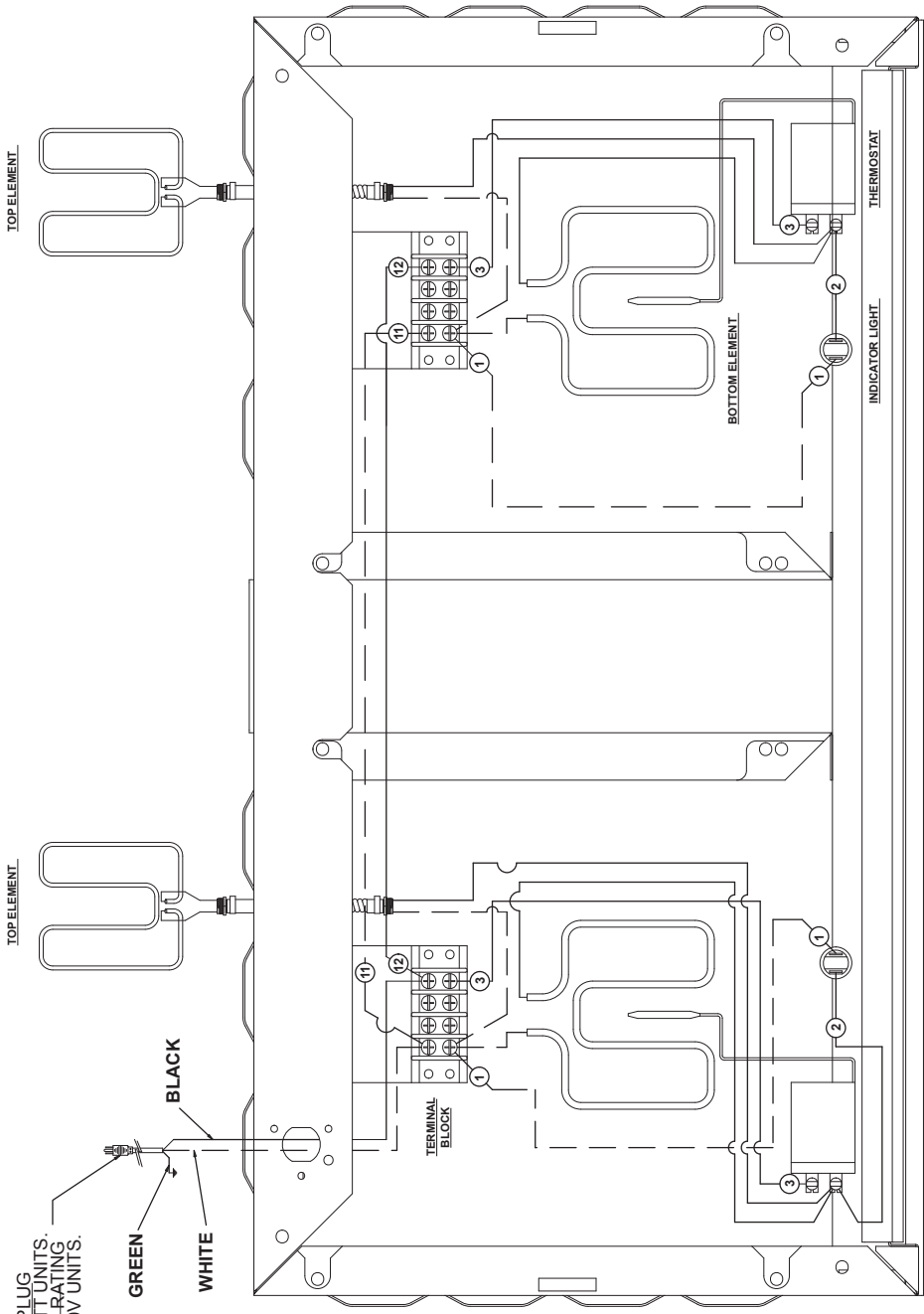
FOR REFERENCE  
 WIRING DIAGRAM IS SHOWN AS UNIT IS ASSEMBLED  
 WITH THE BOTTOM PLATE REMOVED. ITEMS ARE IN  
 GENERAL LOCATION BUT MAY BE RELOCATED OR SCALED  
 FOR CLARITY.

**MODEL: GX & PBF SINGLE LID SERIES, WIRE DIAGRAM, 120V/230/240V**

**STAR INTERNATIONAL HOLDINGS INC. COMPANY**  
 SK2116 Rev - 02/16/2005

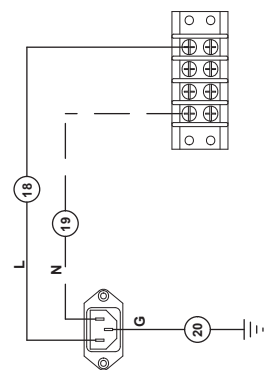
THIS DRAWING CONTAINS INFORMATION CONFIDENTIAL TO STAR MFG. INTL. INC.  
 NO REPRODUCTION OR DISCLOSURE OF ITS CONTENTS IS PERMITTED.





20 AMP PLUG  
 NEMA 6-20P ON 240V, 3,600 WATT UNITS.  
 IEC 320 POWER INLET, 16 AMP RATING.  
 SEE SEPARATE SKETCH, 230V UNITS.

GREEN  
 WHITE  
 BLACK



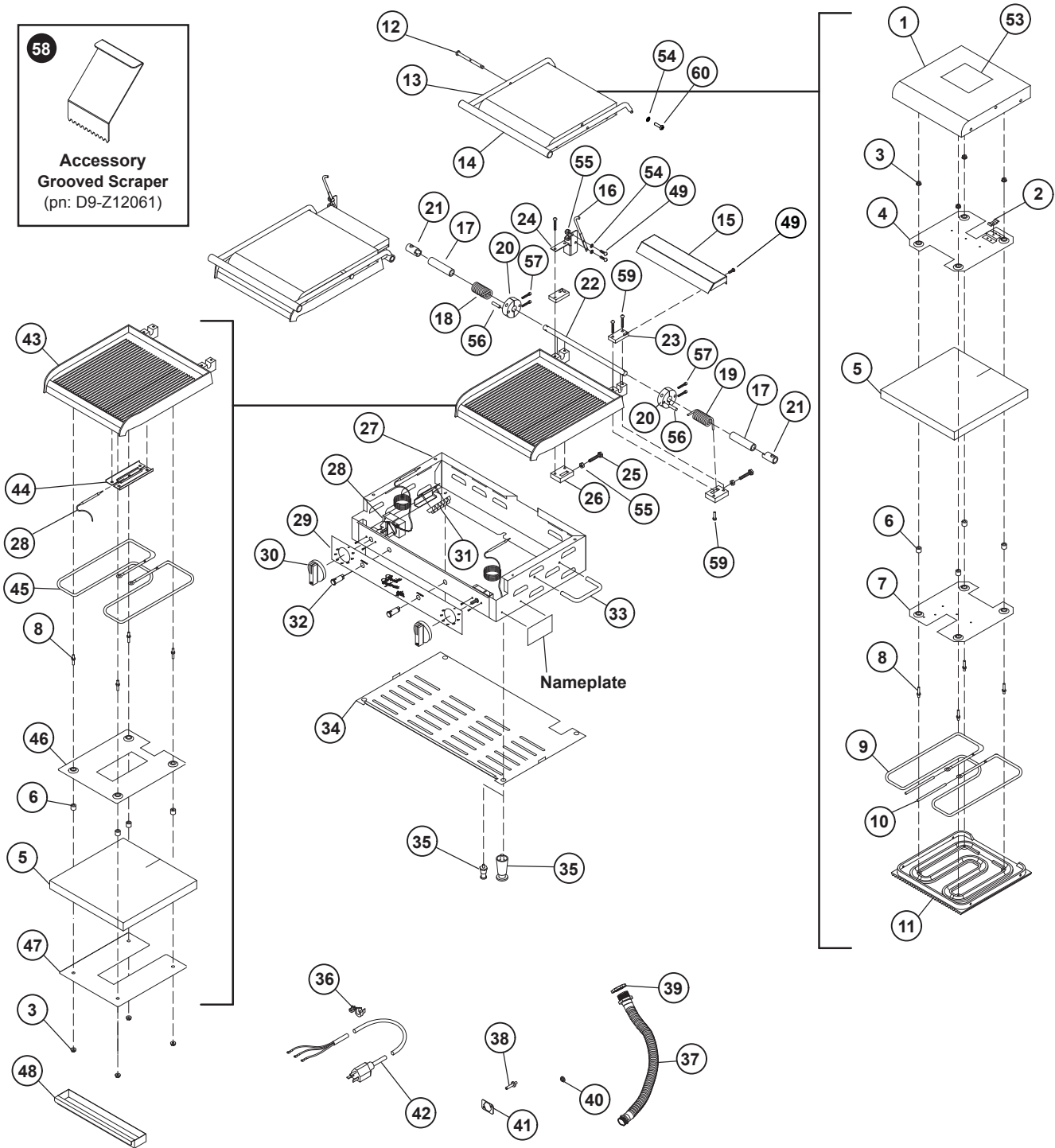
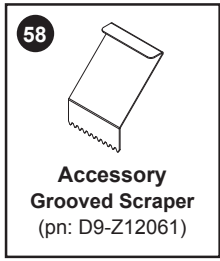
SOME ITEMS ARE INCLUDED FOR  
 ILLUSTRATIVE PURPOSES ONLY AND IN  
 CERTAIN INSTANCES MAY NOT BE AVAILABLE

FOR REFERENCE  
 WIRING DIAGRAM IS SHOWN AS UNIT IS ASSEMBLED  
 WITH THE BOTTOM PLATE REMOVED. ITEMS ARE IN  
 GENERAL LOCATIONS BUT MAY BE RELOCATED OR SCALED  
 FOR CLARITY.

**MODEL: GX & PBF DOUBLE LID SERIES, WIRE DIAGRAM, 230/240V**

THIS DRAWING CONTAINS INFORMATION CONFIDENTIAL TO STAR MFG. INTL., INC.  
 NO REPRODUCTION OR DISCLOSURE OF ITS CONTENTS IS PERMITTED.

**STAR INTERNATIONAL HOLDINGS INC. COMPANY**  
 SK2118 Rev - 02/16/2005



SOME ITEMS ARE INCLUDED FOR ILLUSTRATIVE PURPOSES ONLY AND IN CERTAIN INSTANCES MAY NOT BE AVAILABLE

This drawing contains information confidential to Star Manufacturing International, Inc. No reproduction or disclosure of its contents is permitted.

**MODEL GX10, GX14, GX20 SERIES  
GX20 SHOWN**



**STAR MANUFACTURING INTERNATIONAL, INC.**

SK2121 Rev. J

11/12/2014

# PARTS LIST

September 22, 2010, Rev J

## 10" TWO SIDED GRILLS

MODEL                     GX10IG, GX10IS, GX10ISG                    

Key Number	Part Number	Number Per Unit	Description	
1	D9-GR0239	1	TOP HOUSING & CONDUIT - 10	ALL
2	2C-Z2054	1	CLAMP, THERMISTOR	ALL
3	2C-Z2893	8	NUT 10-24 Hex STL ZP	ALL
4	D9-GR0228	1	TOP INS. PLATE ASSY -10"	ALL
5	D9-Z2908	1	INSULATION, 10"	ALL
6	2A-Z6604	8	SPACER, INSULATION PLATE	ALL
7	D9-Z7646	1	PLATE, ELE.&INS RET. -10"	ALL
8	2C-08-07-0285	8	SCREW 10-24 x 3/4 3/8	ALL
9	PS-Z7761	1	ELEMENT, TOP, 600W, 120V-10"	120 V
	PS-Z2019	1	ELEMENT, HEATING 800W/240V	230/240 V
10	1O-E1500	3"	SLEEVING #4 .208ID GLASS	ALL
11	2F-Z7657	1	CASTING, IRON, TOP GR - 10"	GROOVED MODELS
	2F-Z7737	1	CASTING, IRON, TOP SM. -10"	SMOOTH MODELS
12	2V-Z7641	2	ROD, ARM CONNECTION COMMON	ALL
13	2B-Z7860	2	ARM, SIDE COMMON	ALL
14	2V-Z7662	1	HANDLE -10" GRILL EXPRESS	ALL
15	D9-Z8769	1	COVER, HINGE 10	ALL
16	2V-Z3252	1	ROD - TOP HOUSING LATCH	ALL
17	2V-Z7863	2	SPACER, INSIDE 10"	ALL
18	2P-Z8824	1	SPRING, TORSION LH	ALL
19	2P-Z8823	1	SPRING, TORSION RH	ALL
20	2V-Z8407	2	COLLAR, 2 PIECE COMMON	ALL
21	2V-Z7862	2	SPACER, OUTSIDE COMMON	ALL
22	2V-Z7861	1	ROD, HINGE 10"	ALL
23	2F-Z8529	2	RETAINER, HANDLE COMMON	ALL
24	D9-Z8444	1	BRACKET, MTG - TOP LATCH ROD	ALL
25	2C-Z2992	2	BOLT 1/4"-20X1 PHP STL NP	ALL
26	2F-Z7910	2	RETAINER, SPRING	ALL
27	D9-GR0253	1	BODY ASSY - 10"	ALL
28	2T-Y2313	1	THERMOSTAT 118V-236V	ALL
29	2M-Z8848	1	OVERLAY EXP GRILL - 10"	ALL
30	2R-Z8847	1	KNOB, T-STAT CONTROL	ALL
31	2E-Z2894	1	TERMINAL BLOCK (304)	ALL
32	2J-Y6689	1	PILOT LIGHT 120V	120 V
	2J-Z2329	1	PILOT LIGHT 240 V	230/240 V
33	2V-Z8859	2	SPACER, SIDE	ALL
34	D9-Z7697	1	PLATE, BOTTOM-10"	ALL
35	2A-Z1485	4	FOOT 1" ADJUSTABLE	ALL
36	2K-Y3240	1	BUSHING HEYCO SR 17-2	ALL
37	2E-Z2898	1	CONDUIT ASSY, PTFE	ALL
38	2C-Z3917	2	RIVET, POP	ALL
39	2E-Z3768	1	LOCKNUT, CONDUIT 1/2 IN	ALL
40	2C-Z3780	2	RETAINER, CONDUIT	ALL
41	2A-Z3827	1	PLATE, STAMPING - CONDUIT	ALL
42	D9-Z8861	1	CORD SET 14/3 120V 15A	120 V
	2E-Y9251	1	CORD SET CONT EUR 16AMP	230V
	2E-Z2770	1	CORD, POWER, 14-3, 6-15	240 V
43	2F-Z7730	1	CASTING, IRON, BOTTOM GR - 10"	GROOVED MODELS
	2F-Z7756	1	CASTING, IRON, BOT., SM.-10"	SMOOTH MODELS
44	D9-GR0229	1	BRACKET ASSY, THERMOSTAT	ALL
45	2N-Z7765	1	ELEMENT, BOT, 800W, 120V-10	120 V
	2N-Z2020	1	ELEMENT, HEATING 1000W/240	230/240V
46	D9-Z7677	1	ELEMENT PLATE, BOTTOM-10"	ALL
47	D9-Z7676	1	INS. PLATE, BOTTOM-10"	ALL
48	D9-Z8842	1	GREASE CUP 10"	ALL
49	2C-1512	6	SCREW 10-24X3/8 RHP STL NP	ALL
53	2M-Z2620	1	LABEL CAUTION,BI-LINGUAL	ALL
54	2C-6260	2	WASHER #10 INT STL NP	ALL
55	2C-2559	2	NUT 10-24 ACHD BR NP	ALL
56	2A-Z8408	2	PIN, SLOTTED SPRING-S.S.	ALL
57	2C-08-07-0236	4	SCREW 10-32 X 3/4 SHCS	ALL
58	D9-Z12061	-	SCRAPER-GROOVES	ACCESSORY
59	2C-Z5193	8	SCREW 10-24 X .75 PH SS	ALL
60	2C-1515	2	SCREW 10-24X.75 ST RH NP	

Some items are included for illustrative purposes only and in certain instances may not be available.



Star Manufacturing International, Inc.

# PARTS LIST

September 22, 2010, Rev J

## 14" TWO SIDED GRILLS

MODEL                     GX14IG, GX14IS, GX14ISG                    

Key Number	Part Number	Number Per Unit	Description
1	D9-GR0233	1	TOP HOUSING ASSY 14" ALL
2	2C-Z2054	1	CLAMP, THERMISTOR ALL
3	2C-Z2893	8	NUT 10-24 Hex STL ZP ALL
4	D9-GR0232	1	TOP INS. PLATE ASSY -14" ALL
5	D9-Z7991	1	INSULATION, 14" ALL
6	2A-Z6604	8	SPACER, INSULATION PLATE ALL
7	D9-Z7846	1	PLATE, ELE.&INS RET. -14" ALL
8	2C-08-07-0285	8	SCREW 10-24 x 3/4 3/8 ALL
9	PS-Z7769	1	ELEMENT, TOP, 800W, 120V-14" 120 V
	PS-Z7771	1	ELEMENT, TOP, 1250W,240V-14 230/240 V
10	10-E1500	0.333	SLEEVEING #4 .208ID GLASS ALL
11	2F-Z7741	1	CASTING, IRON, TOP GR - 14" GROOVED MODELS
	2F-Z7742	1	CASTING, IRON, TOP SM. -14" SMOOTH MODELS
12	2V-Z7641	2	ROD, ARM CONNECTION COMMON ALL
13	2B-Z7860	2	ARM, SIDE COMMON ALL
14	2V-Z7992	1	HANDLE -14" GRILL EXPRESS ALL
15	D9-Z8429	1	COVER, HINGE 14 ALL
16	2V-Z3252	1	ROD - TOP HOUSING LATCH ALL
17	2V-Z7863	2	SPACER, INSIDE 10" ALL
18	2P-Z8756	1	SPRING, TORSION LH ALL
19	2P-Z8755	1	SPRING, TORSION RH ALL
20	2V-Z8407	2	COLLAR, 2 PIECE COMMON ALL
21	2V-Z7862	2	SPACER, OUTSIDE COMMON ALL
22	2V-Z7994	1	ROD, HINGE 14" ALL
23	2F-Z8529	2	RETAINER, HANDLE COMMON ALL
24	D9-Z8444	1	BRACKET, MTG - TOP LATCH ROD ALL
25	2C-Z2992	2	BOLT 1/4"-20X1 PHP STL NP ALL
26	2F-Z7910	2	RETAINER, SPRING ALL
27	D9-GR0254	1	BODY ASSY - 14" ALL
28	2T-Y2313	1	THERMOSTAT 118V-236V ALL
29	2M-Z8849	1	OVERLAY 14" EXPRESS GRILL ALL
30	2R-Z8847	1	KNOB, T-STAT CONTROL ALL
31	2E-Z2894	1	TERMINAL BLOCK (304) ALL
32	2J-Y6689	1	PILOT LIGHT 120V 120V, 120VC-CANADA
32	2J-Z2329	1	PILOT LIGHT 240 V 230/240 V
33	2V-Z8859	2	SPACER, SIDE ALL
34	D9-Z7842	1	PLATE, BOTTOM-14" ALL
35	2A-Z1485	4	FOOT 1" ADJUSTABLE ALL
36	2K-Y3240	1	BUSHING HEYCO SR 17-2 ALL
37	2E-Z2898	1	CONDUIT ASSY, PTFE ALL
38	2C-Z3917	2	RIVET, POP ALL
39	2E-Z3768	1	LOCKNUT, CONDUIT 1/2 IN ALL
40	2C-Z3780	2	RETAINER, CONDUIT ALL
41	2A-Z3827	1	PLATE, STAMPING - CONDUIT ALL
42	D9-Z8861	1	CORD SET 14/3 120V 15A 120V
	D9-Z8917	1	CORD SET 120V 5-20P 120VC-CANADA
	2E-Y9251	1	CORD SET CONT EUR 16AMP 230V
	2E-Z2770	1	CORD, POWER, 14-3, 6-15 240 V
43	2F-Z7758	1	CASTING, IRON, BOTTOM GR - 14" GROOVED MODELS
	2F-Z7757	1	CASTING, IRON, BOT., SM.-14" SMOOTH MODELS
44	D9-GR0229	1	BRACKET ASSY, THERMOSTAT ALL
45	2N-Z7772	1	ELEMENT, BOT, 1000W, 120V-14 120 V
	2N-Z7774	1	ELEMENT, BOT, 1500W,240V-14 230/240V
46	D9-Z7843	1	ELEMENT PLATE, BOTTOM-14" ALL
47	D9-Z7844	1	INS. PLATE, BOTTOM-14" ALL
48	D9-Z8843	1	GREASE CUP 14" ALL
49	2C-1512	1	SCREW 10-24X3/8 RHP STL NP ALL
53	2M-Z2620	1	LABEL CAUTION,BI-LINGUAL ALL
54	2C-6260	2	WASHER #10 INT STL NP ALL
55	2C-2559	2	NUT 10-24 ACHD BR NP ALL
56	2A-Z8408	2	PIN, SLOTTED SPRING-S.S. ALL
57	2C-08-07-0236	4	SCREW 10-32 X 3/4 SHCS ALL
58	D9-Z12061	-	SCRAPER-GROOVES ACCESSORY
59	2C-Z5193	8	SCREW 10-24 X .75 PH SS ALL
60	2C-1515	2	SCREW 10-24X.75 ST RH NP ALL



Star Manufacturing International, Inc.

# PARTS LIST

September 22, 2010, Rev J

## 20" TWO SIDED GRILLS

MODEL GX20IG, GX20IGS, GX20IS

Key Number	Part Number	Number Per Unit	Description
1	D9-GR0239	2	TOP HOUSING & CONDUIT - 10" ALL
2	2C-Z2054	2	CLAMP, THERMISTOR ALL
3	2C-Z2893	16	NUT 10-24 Hex STL ZP ALL
4	D9-GR0228	2	TOP INS. PLATE ASSY -10" ALL
5	D9-Z2908	2	INSULATION, 10" ALL
6	2A-Z6604	16	SPACER, INSULATION PLATE ALL
7	D9-Z7646	2	PLATE, ELE.&INS RET. -10" ALL
8	2C-08-07-0285	16	SCREW 10-24 x 3/4 3/8 ALL
9	PS-Z2019	2	ELEMENT, HEATING 800W/240V ALL
10	1O-E1500	0.666	SLEEVEING #4 .208ID GLASS ALL
11	2F-Z7657	1 or 2	CASTING, IRON, TOP GR - 10" GROOVED MODELS (depending on unit)
	2F-Z7737	1 or 2	CASTING, IRON, TOP SM. -10" SMOOTH MODELS (depending on unit)
12	2V-Z7641	4	ROD, ARM CONNECTION COMMON ALL
13	2B-Z7860	4	ARM, SIDE COMMON ALL
14	2V-Z7662	2	HANDLE -10" GRILL EXPRESS ALL
15	D9-Z8417	2	COVER, HINGE 10" ALL
16	2V-Z3252	2	ROD - TOP HOUSING LATCH ALL
17	2V-Z7863	4	SPACER, INSIDE 10" ALL
18	2P-Z8824	2	SPRING, TORSION LH ALL
19	2P-Z8823	2	SPRING, TORSION RH ALL
20	2V-Z8407	4	COLLAR, 2 PIECE COMMON ALL
21	2V-Z7862	4	SPACER, OUTSIDE COMMON ALL
22	2V-Z7861	2	ROD, HINGE 10" ALL
23	2F-Z8529	4	RETAINER, HANDLE COMMON ALL
24	D9-Z8444	2	BRACKET, MTG - TOP LATCH ROD ALL
25	2C-Z2992	4	BOLT 1/4"-20X1 PHP STL NP ALL
26	2F-Z7910	4	RETAINER, SPRING ALL
27	D9-GR0255	1	BODY ASSY - 20" ALL
28	2T-Y2313	2	THERMOSTAT 118V-236V ALL
29	2M-Z8850	1	OVERLAY 20" EXPRESS GRILL ALL
30	2R-Z8847	2	KNOB, T-STAT CONTROL ALL
31	2E-Z2894	2	TERMINAL BLOCK (304) ALL
32	2J-Z3157	2	PILOT LIGHT 250V AMBER ALL
33	2V-Z8859	2	SPACER, SIDE ALL
34	D9-Z7918	1	PLATE, BOTTOM-20" ALL
35	2A-Z1485	4	FOOT 1" ADJUSTABLE ALL manufactured on or before 2/4/08
	2R-200716	4	LEG, 2.5" IN METAL ALL manufactured after 2/5/08
36	2K-Y6764	1	BUSHING - STRAIN RELIEF ALL
37	2E-Z2898	2	CONDUIT ASSY, PTFE ALL
38	2C-Z3917	2	RIVET, POP ALL
39	2E-Z3768	2	LOCKNUT, CONDUIT 1/2 IN ALL
40	2C-Z3780	4	RETAINER, CONDUIT ALL
41	2A-Z3827	2	PLATE, STAMPING - CONDUIT ALL
42	2E-Z2905	1	CORD SJTO 12/3 NEMA 6-20P ALL
	2E-Y9251	1	CORD SET CONT EUR 16AMP 230V
43	2F-Z7730	1 or 2	CASTING, IRON, BOTTOM GR - 10" GROOVED MODELS (depending on unit)
	2F-Z7756	1 or 2	CASTING, IRON, BOT., SM.-10" SMOOTH MODELS (depending on unit)
44	D9-GR0229	2	BRACKET ASSY, THERMOSTAT ALL
45	2N-Z2020	2	ELEMENT, HEATING 1000W/240 ALL
46	D9-Z7677	2	ELEMENT PLATE, BOTTOM-10" ALL
47	D9-Z7676	2	INS. PLATE, BOTTOM-10" ALL
48	D9-Z8838	1	GREASE CUP 20" ALL
49	2C-1512	8	SCREW 10-24X3/8 RHP STL NP ALL
53	2M-Z2620	1	LABEL CAUTION,BI-LINGUAL ALL
54	2C-6260	4	WASHER #10 INT STL NP ALL
55	2C-2559	4	NUT 10-24 ACHD BR NP ALL
56	2A-Z8408	4	PIN, SLOTTED SPRING-S.S. ALL
57	2C-08-07-0236	8	SCREW 10-32 X 3/4 SHCS ALL
58	D9-Z12061	-	SCRAPER-GROOVES ACCESSORY
59	2C-Z5193	8	SCREW 10-24 X .75 PH SS ALL
60	2C-1515	2	SCREW 10-24X.75 ST RH NP ALL



Star Manufacturing International, Inc.





**STAR MANUFACTURING INTERNATIONAL INC.**

Star - Holman - Lang - Wells - Toastmaster  
265 HOBSON ST. SMITHVILLE, TN 37166

(800) 264-7827

[www.star-mfg.com](http://www.star-mfg.com)