

Toastmaster® Gas Hot Plates

□TMHP2 □TMHP4 □TMHP6



TMHP4

DESCRIPTION

Toastmaster manual control gas hot plates are designed for years of maintenance free operation and reliable cooking performance. Whatever the menu item, Toastmaster hot plates will outperform the competition.

SPECIFICATIONS

Gas hot plates are constructed of aluminized steel with stainless steel front. Unit has aluminized steel drip pan, heavy-duty cast iron grates, cast iron 22,000 BTU burners, adjustable manual control valve, standing pilot for each burner and pressure regulator. Hot plates are available in 12", 24", or 36" wide sizes and operate on natural or propane gas. Hot plates are CSA and NSF certified.

WARRANTY

These units come with a one [1] year warranty for parts and labor.

FEATURES

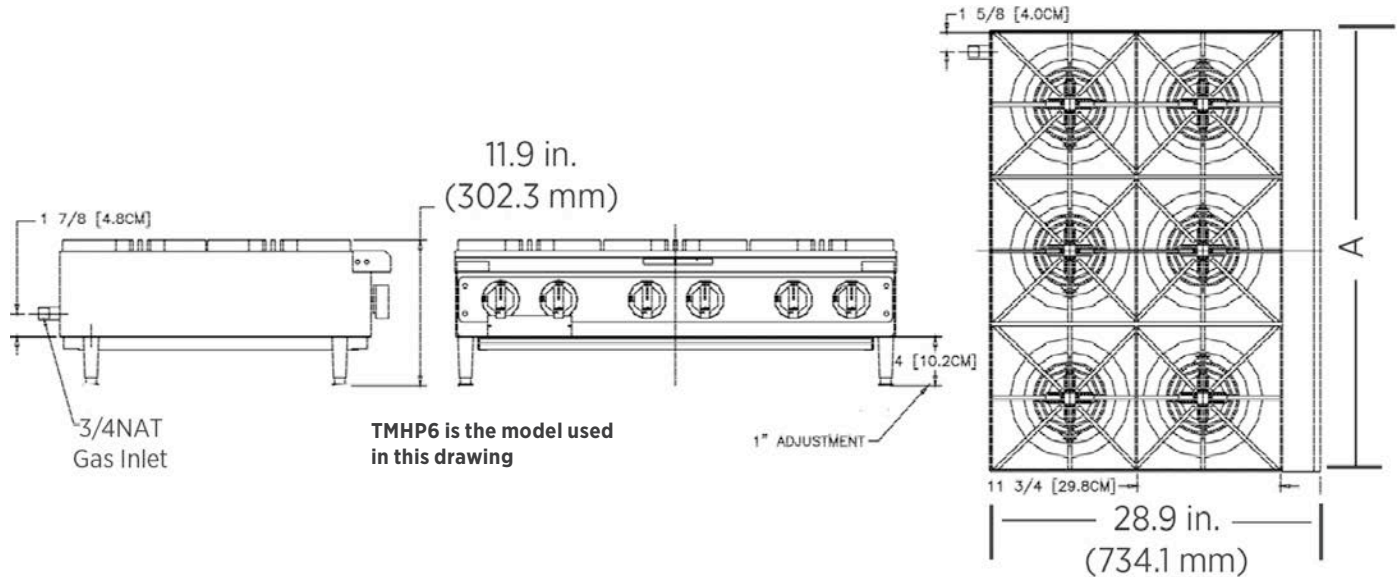
- Available in 12" wide 2-burner, 24" wide 4-burner, and 36" wide 6-burner styles
- Powerful 22,000 BTU cast iron burners provide maximum heat distribution and control
- All stainless steel front panel
- Heavy-duty cast iron grates stand up to constant use
- Standing pilot for each burner for easy ignition
- Manual on/off control valve has 1/4 turn for easy temperature control
- Cool-to-the-touch stainless steel bull nose front provides knob protection and comfortable work zone
- All units ship Natural Gas ready with LP conversion kit included
- Removable crumb tray for easy cleaning
- Heavy-duty 4" adjustable legs

OPTIONS & ACCESSORIES

- Equipment stands

CERTIFICATIONS





CLEARANCES

These units can be installed on non-combustible countertops using the provided four [4] inch (102 mm) legs or on a combustible floor using a minimum 27-inch (636 mm) tall stand. The back and both sides must be at least three [6] inches (152.4 mm) from any combustible surface.

MODEL	HEIGHT ¹ in. (mm)	WIDTH [A] in. (mm)	DEPTH in. (mm)	BTU ²	BURNER DEPTH (FRONT TO BACK)	APPROX. SHIP WEIGHT	APPROX. WEIGHT INSTALLED
TMHP2	11.9 (302.3)	12.2 (310.0)	28.9 (734.1)	44,000	23.5"	75 lb. (34.1 kg)	66 lb. (60.0 kg)
TMHP4	11.9 (302.3)	24.2 (614.7)	28.9 (734.1)	88,000		125 lb. (56.6 kg)	110 lb. (50.0 kg)
TMHP6	11.9 (302.3)	36.2 (919.5)	28.9 (734.1)	132,000		200 lb. (90.9 kg)	176 lb. (80.0 kg)

¹Adjustable up to 1.375 in (34.9mm) ²All units ship for natural gas service. Propane conversion kits included

Due to periodic changes in designs, methods, procedures, policies and regulations, the specifications contained in this sheet are subject to change without notice. While Star Manufacturing exercises good faith efforts to provide information that is accurate, we are not responsible for errors or omissions in information provided or conclusions reached as a result of using the specifications. By using the information provided, the user assumes all risks in connection with such use.