

Project: _____ Location: _____ Item #: _____ Quantity: _____

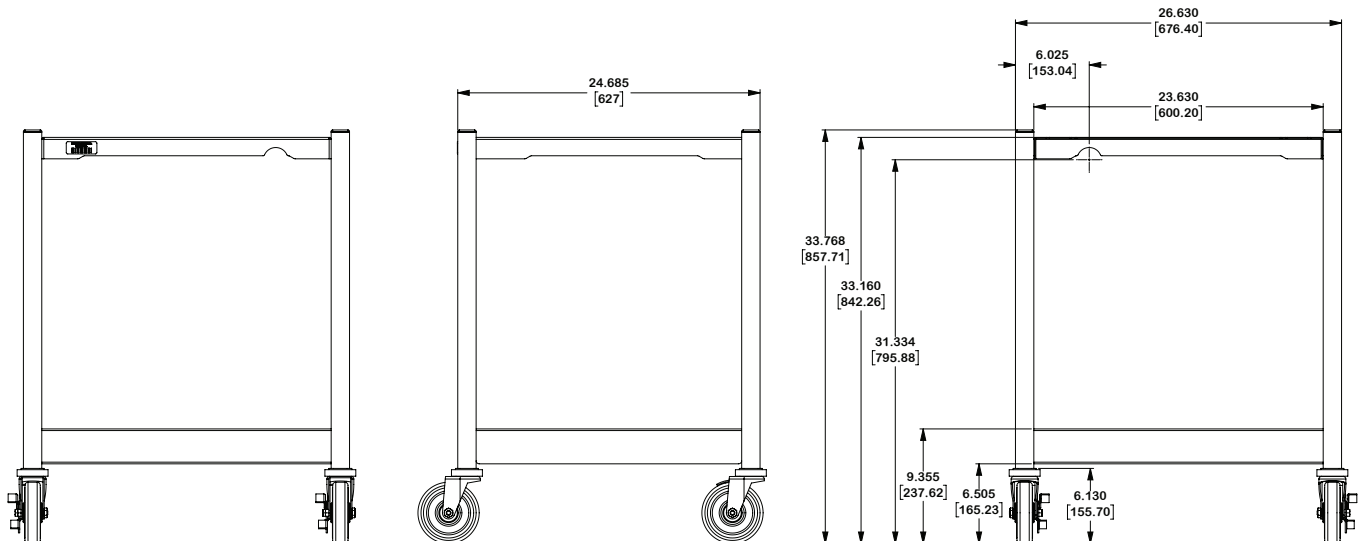
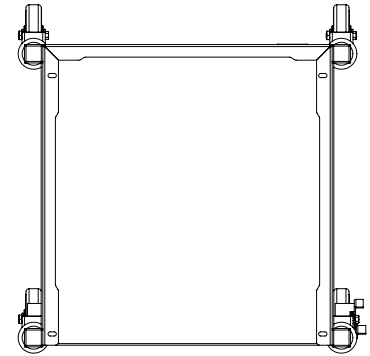
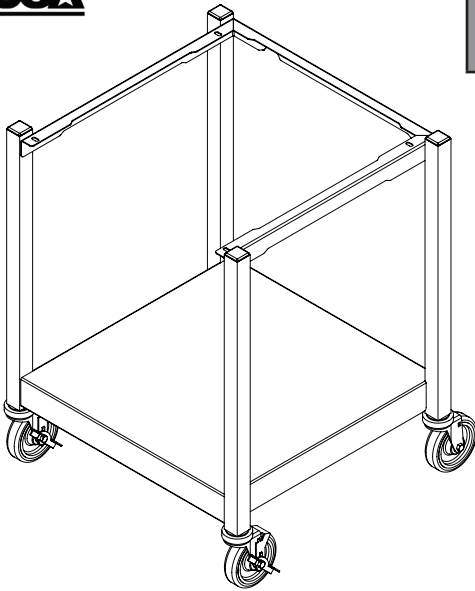
Standard Features

Stainless steel support stand with shelf for AccuTemp Evolution[™] and Steam'N'Hold[™] steamers. Stand will hold (1) AccuTemp steamer and has the option of 5" casters, adjustable bullet feet, or flanged feet.

Approvals



SINGLE STEAMER STAND (SGL) MODEL NUMBERS			
Model #	SNH-10-00	SNH-11-00	SNH-13-00
Description	Stand, Single Unit Bullet Feet	Stand, Single Unit Casters	Stand, Single Unit Flanged Feet
Overall Height	32.90 in	33.77 in	33.15 in
Width	26.63 in	26.63 in	26.63 in
Depth	24.69 in	24.69 in	24.69 in
Compatibility	Steam'N'Hold, Electric, 6 Pan or 3 Pan Units Evolution, Electric, 6 Pan or 3 Pan Connected or Connectionless Units Evolution, Natural Gas or Propane, 6 Pan Connected or Connectionless Units		



AccuTemp product may be covered by one or more US Patents. See www.accutempip.net