

hatcorp.com

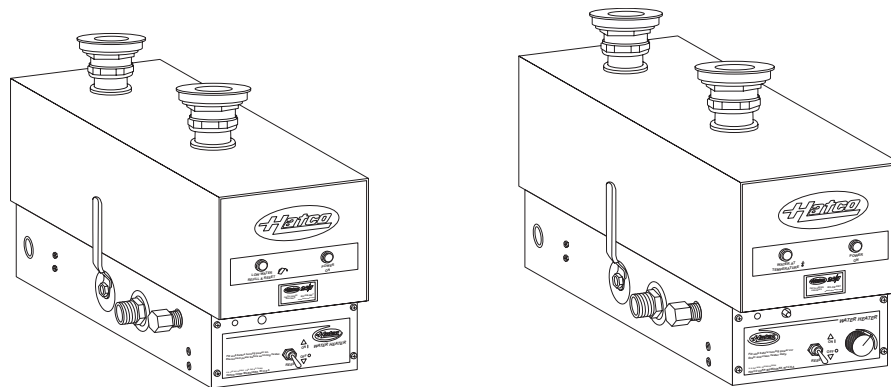
Register Online!  
(see page 2)

S'inscrire en ligne!  
(voir page 19)



# Sanitizing Sink Heaters and Food Rethermalizers/Bain-Marie Heaters Réchauffeurs de cuve désinfectants et marmites de remise à température des aliments/Réchauffeurs de bain-marie 3CS and FR Series/Série

## Installation and Operating Manual Manuel d'installation et d'utilisation



### ⚠ WARNING

Do not operate this equipment unless you have read and understood the contents of this manual! Failure to follow the instructions contained in this manual may result in serious injury or death. This manual contains important safety information concerning the maintenance, use, and operation of this product. If you're unable to understand the contents of this manual, please bring it to the attention of your supervisor. Keep this manual in a safe location for future reference.

English = p 2

### ⚠ ADVERTENCIA

No opere este equipo al menos que haya leído y comprendido el contenido de este manual! Cualquier falla en el seguimiento de las instrucciones contenidas en este manual puede resultar en un serio lesión o muerte. Este manual contiene importante información sobre seguridad concerniente al mantenimiento, uso y operación de este producto. Si usted no puede entender el contenido de este manual por favor pregunte a su supervisor. Almacenar este manual en una localización segura para la referencia futura.

### ⚠ AVERTISSEMENT

Ne pas utiliser cet équipement sans avoir lu et compris le contenu de ce manuel ! Le non-respect des instructions contenues dans ce manuel peut entraîner de graves blessures ou la mort. Ce manuel contient des informations importantes concernant l'entretien, l'utilisation et le fonctionnement de ce produit. Si vous ne comprenez pas le contenu de ce manuel, veuillez le signaler à votre supérieur. Conservez ce manuel dans un endroit sûr pour pouvoir vous y référer plus tard.

Français = p 19

<b>Important Owner Information</b> .....	<b>2</b>	<b>Operation</b> .....	<b>14</b>
<b>Introduction</b> .....	<b>2</b>	General.....	14
<b>Important Safety Information</b> .....	<b>3</b>	<b>Maintenance</b> .....	<b>15</b>
NSF Criteria.....	4	General.....	15
<b>Model Designations</b> .....	<b>4</b>	Daily Cleaning.....	15
<b>Model Description</b> .....	<b>5</b>	Remove Lime and Mineral Deposits.....	16
<b>Specifications</b> .....	<b>5</b>	Draining Heater for Service Protection.....	16
Plug Configurations.....	5	Resetting the Energy Cut-Off Switch (ECO).....	16
Electrical Rating Chart—3CS Models.....	6	<b>Troubleshooting Guide</b> .....	<b>16</b>
Electrical Rating Chart—FR Models.....	8	<b>Options and Accessories</b> .....	<b>17</b>
Electrical Rating Chart—FRC Models.....	9	<b>Limited Warranty</b> .....	<b>18</b>
Dimensions.....	10	<b>Authorized Parts Distributors</b> .....	<b>Back Cover</b>
<b>Installation</b> .....	<b>11</b>		
General.....	11		
Sizing Information.....	11		
Installing 3CS and FR Models.....	11		
Installing FRC Models.....	13		
Electrical Information.....	13		

## IMPORTANT OWNER INFORMATION

Record the model number, serial number (located on the lower right side on the front of the unit), voltage and purchase date of your Water Heater in the spaces below. Please have this information available when calling Hatco for service assistance.

Model No. \_\_\_\_\_

Serial No. \_\_\_\_\_

Voltage \_\_\_\_\_

Date of Purchase \_\_\_\_\_

### Register your unit!

Completing online warranty registration will prevent delay in obtaining warranty coverage. Access the Hatco website at [www.hatcocorp.com](http://www.hatcocorp.com), select the *Parts & Service* pull-down menu, and click on "Warranty Registration".

Business Hours: 7:00 AM to 5:00 PM Central Standard Time (CST)  
(Summer Hours: June to September—  
7:00 AM to 5:00 PM CST Monday–Thursday  
7:00 AM to 4:00 PM CST Friday)

Telephone: 800-558-0607; 414-671-6350

E-mail: [support@hatcocorp.com](mailto:support@hatcocorp.com)



24 Hour 7 Day Parts and Service Assistance available in the United States and Canada by calling 800-558-0607.

Additional information can be found by visiting our web site at [www.hatcocorp.com](http://www.hatcocorp.com).

## INTRODUCTION

Hatco FR and 3CS heaters are designed to supply temperature-controlled water to a sink or holding vessel located above the heater. Water flows by natural convection from the sink or holding vessel into the heater directly downward into the rear reservoir. The rear reservoir acts as a soil collection sump.

Debris that could affect the heating element operation settles out in the sump to be drained away later. The debris free water flows into the second reservoir in which the heating elements are mounted. The water is heated and returns upward to the sink or holding vessel.

All electrical and plumbing connections are factory-assembled and ready for installation.

Hatco FR and 3CS Water Heaters are products of extensive research and field testing. The materials used were selected for maximum durability, attractive appearance and optimum performance. Every unit is thoroughly inspected and tested prior to shipment.

This manual provides the installation, safety, and operating instructions for Hatco Water Heaters. Hatco recommends that all installation, operating, and safety instructions appearing in this manual be read prior to installation or operation of a unit.

Safety information that appears in this manual is identified by the following signal word panels:



**WARNING** indicates a hazardous situation which, if not avoided, could result in death or serious injury.



**CAUTION** indicates a hazardous situation which, if not avoided, could result in minor or moderate injury.



**NOTICE** is used to address practices not related to personal injury.



Read the following important safety information before using this equipment to avoid serious injury or death and to avoid damage to equipment or property.

**WARNING**

**ELECTRIC SHOCK HAZARD:**

- Units supplied without an electrical cord and plug require a hardwired connection to on-site electrical system. Connection must be properly grounded and of correct voltage, size, and configuration for electrical specifications of unit. Contact a qualified electrician to determine and install proper electrical connection.
- Units supplied with an electrical cord, plug, and receptacle require installation of receptacle to on-site electrical system. Connection must be properly grounded and of correct voltage, size, and configuration for electrical specifications of unit. Contact a qualified electrician to determine and install proper electrical connection.
- Unit must be installed by qualified, trained installers. Installation must conform to all local electrical and plumbing codes. Installation by unqualified personnel will void the unit warranty and may lead to electric shock or burn, as well as damage to unit and/or its surroundings. Check with local plumbing and electrical inspectors for proper procedures and codes.
- Unit is not weatherproof. Locate the unit indoors where the ambient air temperature is a minimum of 70°F (21°C).
- Turn OFF power switch, unplug power cord/turn off power at circuit breaker, and allow unit to cool before performing any cleaning, adjustments, or maintenance.
- DO NOT submerge or saturate with water. Unit is not waterproof. Do not operate if unit has been submerged or saturated with water.
- Do not clean unit when it is energized or hot.
- This unit is not “jet-proof” construction. Do not use jet-clean spray to clean this unit.
- Discontinue use if power cord is frayed or worn.
- Do not attempt to repair or replace a damaged power cord. Cord must be replaced by Hatco, an Authorized Hatco Service Agent, or a person with similar qualifications.
- This unit must be serviced by qualified personnel only. Service by unqualified personnel may lead to electric shock or burn.
- Use only Genuine Hatco Replacement Parts when service is required. Failure to use Genuine Hatco Replacement Parts will void all warranties and may subject operators of the equipment to hazardous electrical voltage, resulting in electrical shock or burn. Genuine Hatco Replacement Parts are specified to operate safely in the environments in which they are used. Some aftermarket or generic replacement parts do not have the characteristics that will allow them to operate safely in Hatco equipment.

**WARNING**

**FIRE HAZARD:**

- Install unit with a minimum of 3-1/2” (89 mm) of space from bottom of unit to all combustible surfaces to prevent combustion.
- Do not use harsh chemicals such as bleach (or cleaners containing bleach), oven cleaners, or flammable cleaning solutions to clean this unit.

Make sure all operators have been instructed on the safe and proper use of the unit.

This unit is not intended for use by children or persons with reduced physical, sensory, or mental capabilities. Ensure proper supervision of children and keep them away from the unit.

Hatco Corporation is not responsible for actual food product serving temperature. It is the responsibility of the user to ensure that food product is held and served at a safe temperature.

This unit has no “user-serviceable” parts. If service is required on this unit, contact an Authorized Hatco Service Agent or contact the Hatco Service Department at 800-558-0607 or 414-671-6350.

**CAUTION**

**BURN HAZARD:**

- Some exterior surfaces on unit will get hot. Avoid unnecessary contact with unit.
- Drain water may reach temperatures in excess of 200°F (93°C). Use appropriate plumbing materials when installing drain.
- Water in holding vessel may reach temperatures in excess of 190°F (88°C). Use appropriate protection when operating unit.
- Hot water in unit may cause scalding injury. Allow unit to cool before draining or cleaning.
- Do NOT set temperature control higher than 190°F (88°C). Units are designed to heat water up to 190°F (88°C). Water over 190°F (88°C) is very active and could splash onto operator causing serious burns or injury.

Do not use extension pipes on the inlet and outlet connections on water heater units. Poor performance or unsafe conditions may occur.

Do not add cold food for rethermalizing while holding hot food. The hot food will not maintain proper serving temperature.

**NOTICE**

Units are voltage-specific. Refer to specification label for electrical requirements before beginning installation. Connecting unit to incorrect power supply will void product warranty and may damage unit.

This unit is intended for commercial use only — NOT for household use.

Do not turn on power to unit until holding vessel has been filled with water. Dry operation may cause element burnout.

Always drain holding vessel with power to unit off or element burnout could occur.

Do not use excessive force when tightening unions or nuts. Over-tightening and excessive force may cause leaks.

Incoming water in excess of 3 grains of hardness per gallon (GPG) (0.75 grains of hardness per liter [GPL]) must be treated and softened before being supplied to water heater(s). Water containing over 3 GPG (0.75 GPL) will decrease efficiency, increase energy use, and reduce operating life of unit through increased lime build-up. Product failure caused by liming or sediment buildup is not covered under warranty.

Use only delimers that are non-corrosive to aluminum, brass, and stainless steel. Damage to unit caused by corrosive materials is not covered under warranty.

Inspect unit regularly for lime and sediment buildup. Excessive buildup may affect performance and reduce operating life of unit. Unit failure due to lime or mineral deposits is not covered under warranty.

**NSF Criteria**

NSF Standard 4 has recently added performance requirements for food rethermalizing. The requirements mirror the requirements for food rethermalizing in the FDA Food Code. The basic requirement is that food reach a temperature of 165°F (74°C) in a time period of two hours or less.

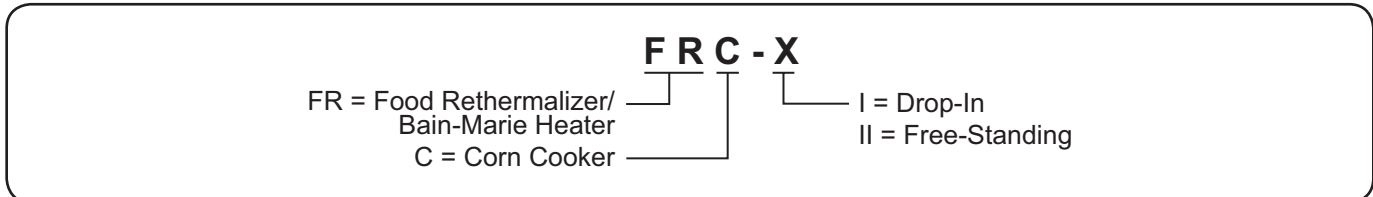
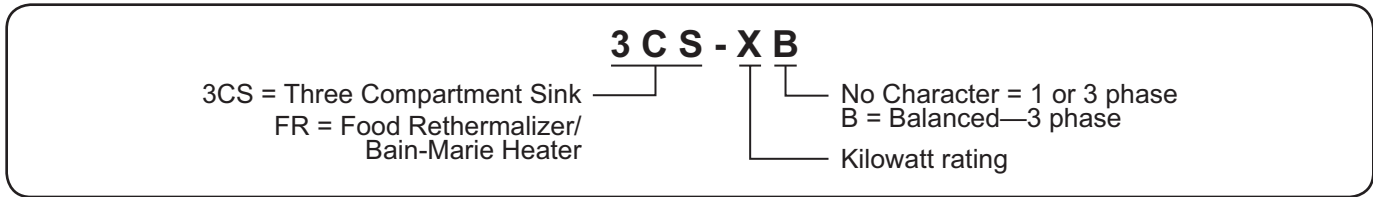
Appliances that are manufactured for the purpose of rethermalizing food will need to meet these performance requirements in order to be listed to NSF Standard 4.

The Hatco FR Series heating unit is specifically made for food rethermalizing, however, the heating unit is designed to be incorporated into a hot water bath rethermalizer. Hatco does not supply the vessel that contains the water, nor the system which determines how food is placed and held in the vessel. The Hatco FR unit attaches to the bottom of the vessel and supplies hot water to the vessel.

Hatco does supply sizing recommendations to enable the appliance manufacturer to correctly size the FR unit to the vessel. However, there are variables in the way that the vessel is manufactured that affect its ability to pass the NSF performance requirements. The Hatco FR unit is listed with NSF for construction only. Due to the fact that the FR is only a portion of a larger system, it is impossible to do performance testing until the FR unit is incorporated onto the water vessel.

It is the responsibility of the vessel manufacturer to have the entire rethermalizing appliance tested and listed in accordance with NSF Standard 4. Simply hanging an NSF listed FR unit on the appliance does not transfer NSF listing to the entire appliance.

## MODEL DESIGNATIONS



**All Models**

The 3CS and FR Model water heaters mount under a sink or holding vessel, leaving the interior of the holding vessel free of obstructions. They include a stainless steel front, powdercoated body, and two drain outlets. These water heaters feature a unique dual reservoir system designed for cleaning convenience. One reservoir contains the heating element and always should be filled with water. The other reservoir traps and collects soil carried from a sink or holding vessel .

Each unit comes with a one year parts and labor warranty and a five year limited tank warranty. Units are shipped completely assembled and ready to install with all gaskets and fittings.

Options include a security package and a stainless steel body and base. A temperature monitor and a temperature light are available for 3CS Models. A flush hose kit is available as an accessory. Refer to the OPTIONS AND ACCESSORIES section for details.

**3CS Models**

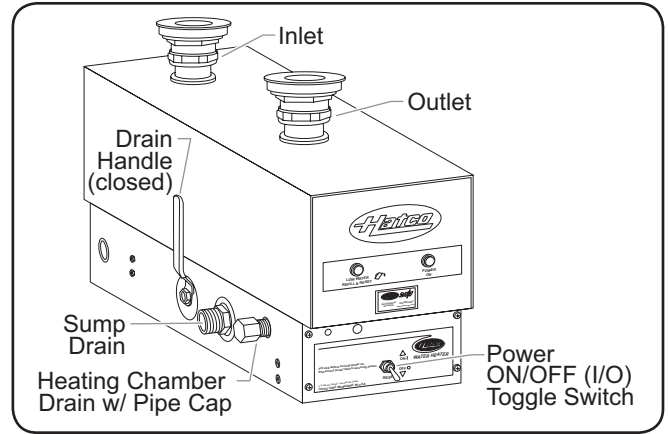
Hatco 3CS Model heaters are designed for use with any manual dishwashing operation. These units maintain sanitizing rinse water above 180°F (82°C).

**FR Models**

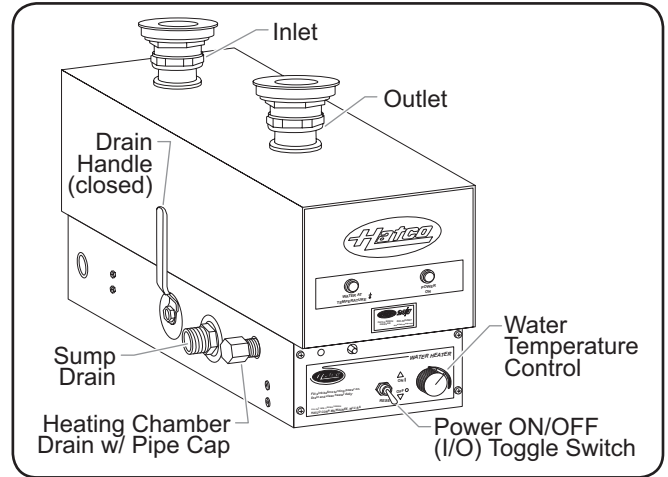
Hatco FR Model heaters are designed to be used with a Bain-Marie or Food Rethermalizer to heat or hold foods at temperatures between 140°F and 190°F (60° and 88°C). The desired holding temperature is maintained by an adjustable water temperature control.

**FRC-I and FRC-II Models**

Hatco Corn Cooker models FRC-I and FRC-II utilize a Hatco FR-3 heater. The Corn-Cooker is completely assembled and comes equipped with an electrical power cord and plug. The unit may include a stand or as a vessel inserted into a countertop.



3CS Model



FR Model

**SPECIFICATIONS**

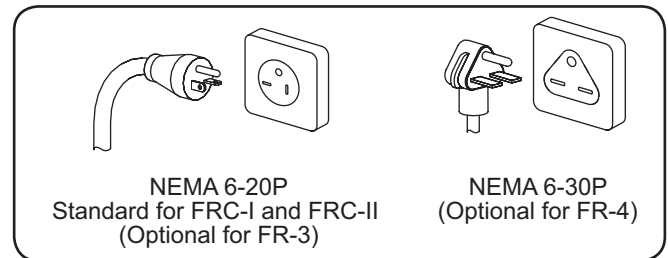
**Plug Configurations**

Some FR units are supplied from the factory with an electrical cord and plug installed and are shipped with a receptacle. Plugs and receptacles are supplied according to the applications.



**ELECTRIC SHOCK HAZARD:** Units supplied with an electrical cord, plug, and receptacle require installation of receptacle to on-site electrical system. Connection must be properly grounded and of correct voltage, size, and configuration for electrical specifications of unit. Contact a qualified electrician to determine and install proper electrical connection.

*NOTE: The specification label is located on the lower right side on the front of the unit. See label for serial number and verification of unit electrical information.*



Plug Configurations

Model	208 V	240 V	220-230 V
FR-3	NEMA 6-20P	NEMA 6-20P	---
FR-4	NEMA 6-30P	NEMA 6-30P	---
FRC-I, -II	NEMA 6-20P	NEMA 6-20P	Cord, No Cap

## Electrical Rating Chart—3CS-X Models

Model	Voltage	Kilowatts (kW)	Phase	Amps	Wiring Sizing AWG*†	Fuse or Circuit Breaker*	Shipping Weight
3CS-3	208	3.0	1	14.4	12	20	24 lbs. (11 kg)
	240	3.0	1	12.5	12	20	24 lbs. (11 kg)
	480	3.0	1	6.3	14	15	24 lbs. (11 kg)
	220–230–240	2.5–2.8–3.0	1	11.5–12–12.5	12	20	24 lbs. (11 kg)
	380–400–415	2.8–3.1–3.4	1	7.4–7.8–8.1	14	15	24 lbs. (11 kg)
3CS-4	208	4.5	1	21.6	10	30	24 lbs. (11 kg)
	240	4.5	1	18.8	10	30	24 lbs. (11 kg)
	480	4.5	1	9.4	14	15	24 lbs. (11 kg)
	220–230–240	3.8–4.1–4.5	1	17.2–18–18.8	10	30	24 lbs. (11 kg)
	380–400–415	3.8–4.2–4.5	1	9.9–10.4–10.8	14	15	24 lbs. (11 kg)
	380–400–415	3.8–4.2–4.5	3♦	8.6–9–9.4	14	15	24 lbs. (11 kg)
	415	4.5	3♦	9.4	14	15	24 lbs. (11 kg)
3CS-6	208	6.0	1	29.8	8	40	27 lbs. (12 kg)
	240	6.0	1	25	8	40	27 lbs. (12 kg)
	480	6.0	1	12.5	12	20	27 lbs. (12 kg)
	220–230–240	5.0–5.5–6.0	1	23–24–25	10	30	27 lbs. (12 kg)
	380–400–415	5.6–6.3–6.7	1	14.8–15.6–16.2	12	20	27 lbs. (12 kg)
	208	6.0	3♦	25	8	40	27 lbs. (12 kg)
	240	6.0	3♦	21.7	10	30	27 lbs. (12 kg)
	380–400–415	5.6–6.3–6.7	3♦	12.9–13.5–14	12	20	27 lbs. (12 kg)
	415	6.0	3♦	14	12	20	27 lbs. (12 kg)
	480	6.0	3♦	10.8	14	15	27 lbs. (12 kg)
	3CS-9	208	9.0	1	43.3	4	60
240		9.0	1	37.5	6	50	27 lbs. (12 kg)
480		9.0	1	18.8	10	30	27 lbs. (12 kg)
220–230–240		7.6–8.3–9.0	1	34.4–35.9–37.5	6	50	27 lbs. (12 kg)
208		9.0	3♦	37.5	6	50	27 lbs. (12 kg)
240		9.0	3♦	32.5	8	40	27 lbs. (12 kg)
480		9.0	3♦	16.2	12	20	27 lbs. (12 kg)

The shaded areas contain electrical information for **International models only**.

\* Wire size is based on THHN wire for branch circuit protection at 0.91 derate factor. Circuit breakers and fused disconnects are to be mounted remote and wired by contractor. Sizes are based on the 2002 NEC table 310-16. Conduit size based on conductors plus ground wire sizing per Table C1 from Appendix C.

† Based upon THHN wire rated 90°C.

♦ Open Delta—standard construction (Amperage higher than Balanced 3-phase)

NOTE: Shipping Weight includes packaging.



## Electrical Rating Chart—3CS-XB Models

Model	Voltage	Kilowatts (kW)	Phase	Amps	Wiring Sizing AWG*†	Fuse or Circuit Breaker*	Shipping Weight
3CS-3B	208	3.0	3 (Bal.)	8.3	14	15	30 lbs. (14 kg)
	240	3.0	3 (Bal.)	7.2	14	15	30 lbs. (14 kg)
	480	3.0	3 (Bal.)	3.6	14	15	30 lbs. (14 kg)
	380–400–415	2.8–3.1–3.4	3 (Bal.)	4.3–4.5–4.7	14	15	30 lbs. (14 kg)
3CS-4B	208	4.5	3 (Bal.)	12.5	12	20	30 lbs. (14 kg)
	240	4.5	3 (Bal.)	10.8	14	15	30 lbs. (14 kg)
	480	4.5	3 (Bal.)	5.4	14	15	30 lbs. (14 kg)
	380–400–415	3.8–4.1–4.5	3 (Bal.)	5.7–6–6.2	14	15	
3CS-6B	208	6.0	3 (Bal.)	18.8	10	30	30 lbs. (14 kg)
	240	6.0	3 (Bal.)	14.4	12	20	30 lbs. (14 kg)
	480	6.0	3 (Bal.)	7.2	14	15	30 lbs. (14 kg)
	380–400–415	5.6–6.3–6.7	3 (Bal.)	8.6–9–9.4	14	15	30 lbs. (14 kg)
3CS-9B	208	9.0	3 (Bal.)	25	10	40	30 lbs. (14 kg)
	240	9.0	3 (Bal.)	21.7	10	30	30 lbs. (14 kg)
	440	9.0	3 (Bal.)	11.8	14	15	30 lbs. (14 kg)
	480	9.0	3 (Bal.)	10.8	14	15	30 lbs. (14 kg)
	380–400–415	7.5–8.3–9.0	3 (Bal.)	11.4–11.9–12.5	12	20	30 lbs. (14 kg)

The shaded areas contain electrical information for **International models only**.

\* Wire size is based on THHN wire for branch circuit protection at 0.91 derate factor. Circuit breakers and fused disconnects are to be mounted remote and wired by contractor. Sizes are based on the 2002 NEC table 310-16. Conduit size based on conductors plus ground wire sizing per Table C1 from Appendix C.

† Based upon THHN wire rated 90°C.

◆ Open Delta—standard construction (Amperage higher than Balanced 3-phase)

*NOTE: Shipping Weight includes packaging.*

**Electrical Rating Chart—FR-X Models**

Model	Voltage	Kilowatts (kW)	Phase	Amps	Wiring Sizing AWG*†	Fuse or Circuit Breaker*	Shipping Weight
FR-3	208	3.0	1	14.4	12	20	24 lbs. (11 kg)
	240	3.0	1	12.5	12	20	24 lbs. (11 kg)
	480	3.0	1	6.3	14	15	24 lbs. (11 kg)
	220–230–240	2.5–2.8–3.0	1	11.5–12–12.5	12	20	24 lbs. (11 kg)
	380–400–415	2.8–3.1–3.4	1	7.4–7.8–8.1	14	15	24 lbs. (11 kg)
	208	3.0	3♦	8.3	14	15	24 lbs. (11 kg)
	240	3.0	3♦	7.2	14	15	24 lbs. (11 kg)
	380–400–415	2.8–3.1–3.4	3♦	4.3–4.5–4.7	14	26	24 lbs. (11 kg)
FR-4	208	4.5	1	21.6	10	30	24 lbs. (11 kg)
	240	4.5	1	18.8	10	30	24 lbs. (11 kg)
	480	4.5	1	9.4	14	15	24 lbs. (11 kg)
	220–230–240	3.8–4.1–4.5	1	17.2–18–18.8	10	30	24 lbs. (11 kg)
	380–400–415	3.8–4.2–4.5	1	9.9–10.4–10.8	14	15	24 lbs. (11 kg)
	208	4.5	3♦	12.5	12	20	24 lbs. (11 kg)
	240	4.5	3♦	10.8	14	15	24 lbs. (11 kg)
	380–400–415	3.8–4.2–4.5	3♦	8.6–9.0–9.4	14	15	24 lbs. (11 kg)
	415	4.5	3♦	9.4	14	15	24 lbs. (11 kg)
	480	4.5	3♦	5.4	14	15	24 lbs. (11 kg)
FR-6	208	6.0	1	28.8	8	40	27 lbs. (12 kg)
	240	6.0	1	25	8	40	27 lbs. (12 kg)
	480	6.0	1	12.5	12	20	27 lbs. (12 kg)
	220–230–240	5.0–5.5–6.0	1	23–24–25	8	40	27 lbs. (12 kg)
	380–400–415	5.6–6.3–6.7	1	14.8–15.6–16.2	12	20	27 lbs. (12 kg)
	208	6.0	3♦	25	8	40	27 lbs. (12 kg)
	240	6.0	3♦	21.7	10	30	27 lbs. (12 kg)
	380–400–415	5.6–6.3–6.7	3♦	12.9–13.5–14	12	20	27 lbs. (12 kg)
	415	6.0	3♦	14	12	20	27 lbs. (12 kg)
	480	6.0	3♦	10.8	14	15	27 lbs. (12 kg)
	480	6.0	3♦	7.2	14	15	27 lbs. (12 kg)
	FR-9	208	9.0	1	43.3	4	60
240		9.0	1	37.5	6	50	27 lbs. (12 kg)
480		9.0	1	18.8	10	30	27 lbs. (12 kg)
220–230–240		7.6–8.3–9.0	1	34.4–35.9–37.5	6	50	27 lbs. (12 kg)
208		9.0	3♦	37.5	6	50	27 lbs. (12 kg)
240		9.0	3♦	32.5	8	40	27 lbs. (12 kg)
480		9.0	3♦	16.2	12	20	27 lbs. (12 kg)
208		9.0	3♦	25	8	40	27 lbs. (12 kg)
240		9.0	3♦	21.7	10	30	27 lbs. (12 kg)



## Electrical Rating Chart—FR-XB Models

Model	Voltage	Kilowatts (kW)	Phase	Amps	Wiring Sizing AWG*†	Fuse or Circuit Breaker*	Shipping Weight
FR-3B	208	3.0	3 (Bal.)	8.3	14	15	30 lbs. (14 kg)
	240	3.0	3 (Bal.)	7.2	14	15	30 lbs. (14 kg)
	480	3.0	3 (Bal.)	3.6	14	15	30 lbs. (14 kg)
	380–400–415	2.8–3.1–3.4	3 (Bal.)	4.3–4.5–4.7	14	15	30 lbs. (14 kg)
FR-4B	208	4.5	3 (Bal.)	12.5	12	20	30 lbs. (14 kg)
	240	4.5	3 (Bal.)	10.8	14	15	30 lbs. (14 kg)
	480	4.5	3 (Bal.)	5.4	14	15	30 lbs. (14 kg)
	380–400–415	3.8–4.1–4.5	3 (Bal.)	5.7–6–6.2	14	15	30 lbs. (14 kg)
FR-6B	208	6.8	3 (Bal.)	18.8	10	30	30 lbs. (14 kg)
	240	6.0	3 (Bal.)	14.4	12	20	30 lbs. (14 kg)
	380	6.0	3 (Bal.)	10.2	14	15	30 lbs. (14 kg)
	380–400–415	5.6–6.3–6.7	3 (Bal.)	8.6–9–9.4	14	15	30 lbs. (14 kg)
	480	6.0	3 (Bal.)	7.2	14	15	30 lbs. (14 kg)
FR-9B	208	9.0	3 (Bal.)	25	10	40	30 lbs. (14 kg)
	240	9.0	3 (Bal.)	21.7	10	30	30 lbs. (14 kg)
	380	9.0	3 (Bal.)	12.9	12	20	30 lbs. (14 kg)
	440	9.0	3 (Bal.)	11.8	14	15	30 lbs. (14 kg)
	480	9.0	3 (Bal.)	10.8	14	15	30 lbs. (14 kg)
	380–400–415	7.6–8.3–9.0	3 (Bal.)	11.5–11.9–12.5	12	20	30 lbs. (14 kg)

## Electrical Rating Chart—FRC Models

Model	Voltage	Kilowatts (kW)	Phase	Amps	Wiring Sizing AWG*†	Fuse or Circuit Breaker*	Shipping Weight
FRC-I	208	3.0	1	14.4	12	20	42 lbs. (19 kg)
	220–230	2.5–2.8	1	11.5–12	14	15	42 lbs. (19 kg)
	240	3.0	1	12.5	12	20	42 lbs. (19 kg)
FRC-II	208	3.0	1	14.4	12	20	69 lbs. (31 kg)
	220–230	2.5–2.8	1	11.5–12	14	15	69 lbs. (31 kg)
	240	3.0	1	12.5	12	20	69 lbs. (31 kg)

The shaded areas contain electrical information for **International models only**.

\* Wire size is based on THHN wire for branch circuit protection at 0.91 derate factor. Circuit breakers and fused disconnects are to be mounted remote and wired by contractor. Sizes are based on the 2002 NEC table 310-16. Conduit size based on conductors plus ground wire sizing per Table C1 from Appendix C.

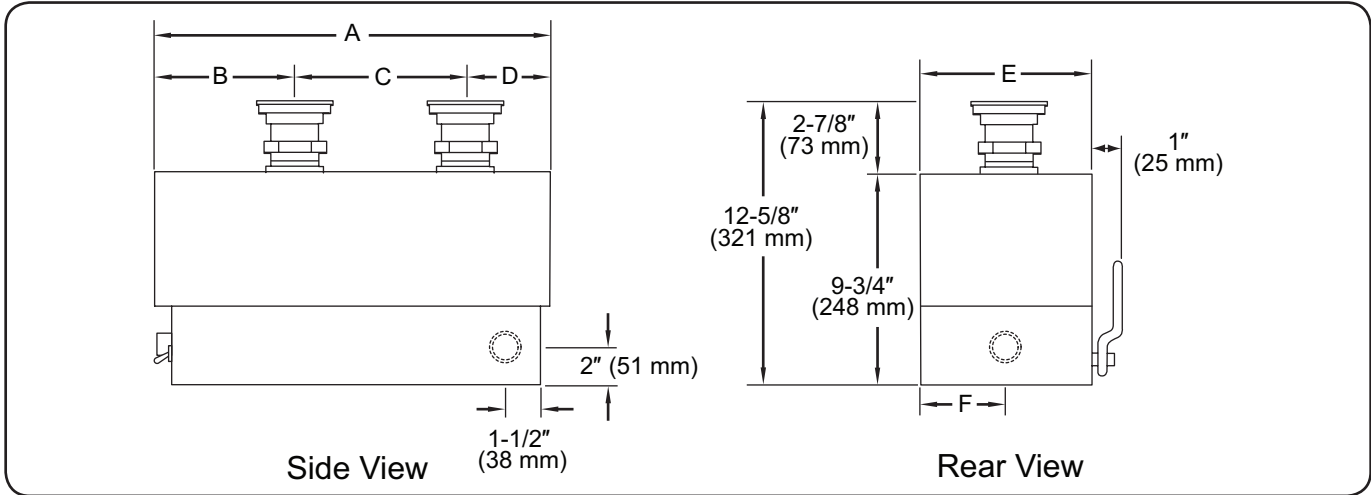
† Based upon THHN wire rated 90°C.

◆ Open Delta—standard construction (Amperage higher than Balanced 3-phase)

*NOTE: Shipping Weight includes packaging.*

**Dimensions**

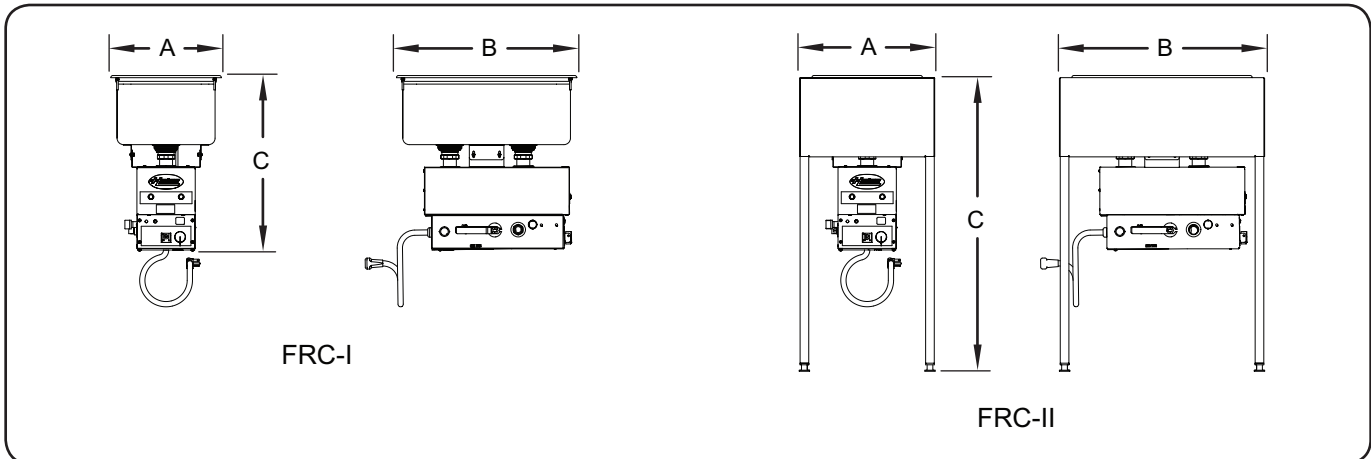
Model	A	B	C	D	E	F
3CS-X and FR-X	16-7/8" (429 mm)	5-1/2" (140 mm)	8-1/2" (216 mm)	2-7/8" (73 mm)	6-3/4" (171 mm)	3-3/8" (86 mm)
3CS-XB and FR-XB	17-1/8" (435 mm)	4-5/8" (117 mm)	8-1/2" (216 mm)	4" (102 mm)	8" (203 mm)	4" (102 mm)



Dimensions—3CS and FR Models

**Dimensions—FRC Models**

Model	Width (A)	Depth (B)	Height (C)
FRC-I	12-3/4" (325 mm)	20-7/8" (530 mm)	19-7/8" (503 mm)
FRC-II	15-5/8" (397 mm)	23-3/4" (603 mm)	34-1/4" (870 mm)



Dimensions—FRC Models

## General

Hatco Water Heaters are shipped factory assembled. Care should be taken when unpacking shipping carton to avoid damage to unit and components enclosed.

### **⚠ WARNING**

#### ELECTRIC SHOCK HAZARD:

- Units supplied without an electrical cord and plug require a hardwired connection to on-site electrical system. Connection must be properly grounded and of correct voltage, size, and configuration for electrical specifications of unit. Contact a qualified electrician to determine and install proper electrical connection.
- Units supplied with an electrical cord, plug, and receptacle require installation of receptacle to on-site electrical system. Connection must be properly grounded and of correct voltage, size, and configuration for electrical specifications of unit. Contact a qualified electrician to determine and install proper electrical connection.
- Unit must be installed by qualified, trained installers. Installation must conform to all local electrical and plumbing codes. Installation by unqualified personnel will void the unit warranty and may lead to electric shock or burn, as well as damage to unit and/or its surroundings. Check with local plumbing and electrical inspectors for proper procedures and codes.
- Unit is not weatherproof. Locate the unit indoors where the ambient air temperature is a minimum of 70°F (21°C).

**FIRE HAZARD:** Install unit with a minimum of 3-1/2" (89 mm) of space from bottom of unit to all combustible surfaces to prevent combustion.

1. Remove the unit from the box.

*NOTE: To prevent delay in obtaining warranty coverage, complete online warranty registration. See the IMPORTANT OWNER INFORMATION section for details.*

2. Remove tape and protective packaging from all surfaces of unit.

## Sizing Information

Hatco recommends the following guidelines be used to ensure proper operation and sanitation.

### For 3CS Models in a Sink Heater Application

- Minimum of 2000 watts per square foot (2.2 watts per sq. cm) of vessel top.

### For FR Models in a Bain-Marie or Steam Table Application

- Minimum 750 watts per square foot (0.8 watts per sq. cm) of vessel top.

### For FR Models in a Food Rethermalizer Application

- Minimum 2000 watts per square foot (2.2 watts per sq. cm) of vessel top.

*NOTE: Use one heater for a Bain-Marie up to 6' (1829 mm) long. Units over 6' (1829 mm) require a minimum of two heaters.*

## Installing 3CS and FR Models

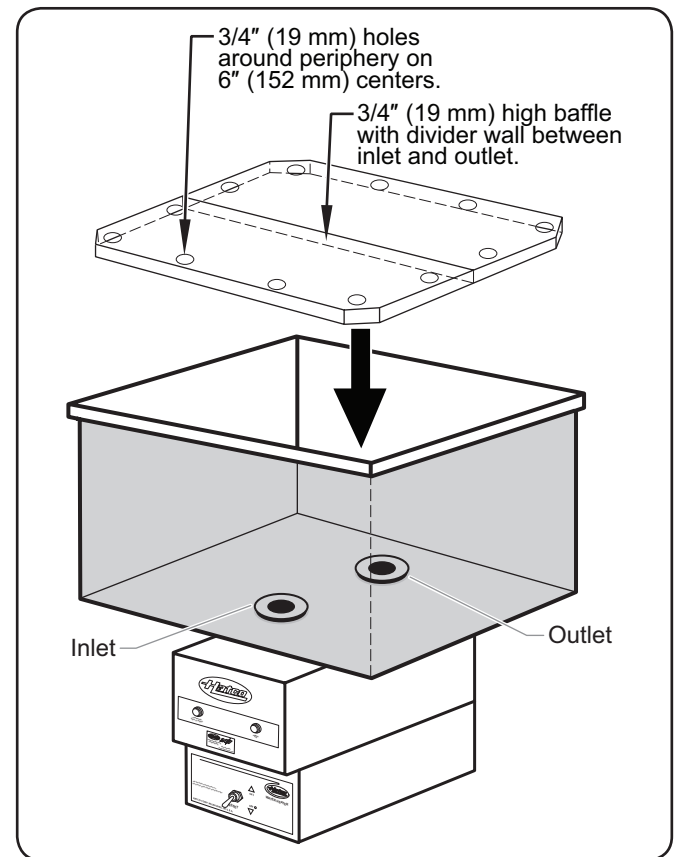
A paper template is shipped with the unit and is used to locate the sink strainer holes. Use the following procedure to mount to the sink or holding vessel.

### **⚠ CAUTION**

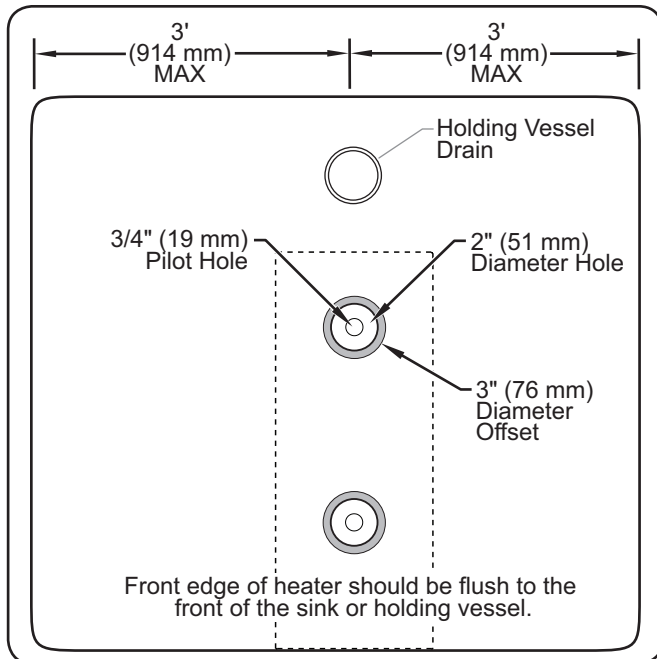
**BURN HAZARD:** Drain water may reach temperatures in excess of 200°F (93°C). Use appropriate plumbing materials when installing drain.

Do not use extension pipes on the inlet and outlet connections on water heater units. Poor performance or unsafe conditions may occur.

*NOTE: FR Models should be installed with a perforated water baffle (not supplied with unit) to distribute the heated water properly. The baffle should be 3/4" (19 mm) high with a divider wall between the inlet and outlet. The baffle should also have 3/4" (19 mm) holes around the periphery every 6" (152 mm).*



Water Baffle Installation (FR Models)



Top View of Sink or Holding Vessel

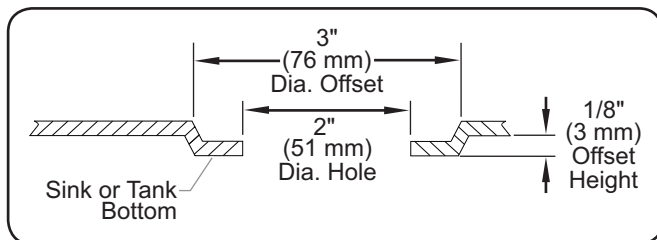
**NOTE:** The dotted lines in the image above indicate the position of the unit under the sink or holding vessel.

1. Locate the template on the bottom of the sink or holding vessel.
  - The template should be positioned exactly above where the water heater will be positioned below the sink or holding vessel.
  - Make sure the front edge of the template is flush with the front edge of the sink or holding vessel.
  - FR Models should be positioned with no more than 3' (914 mm) on either side when mounted under the sink or holding vessel.

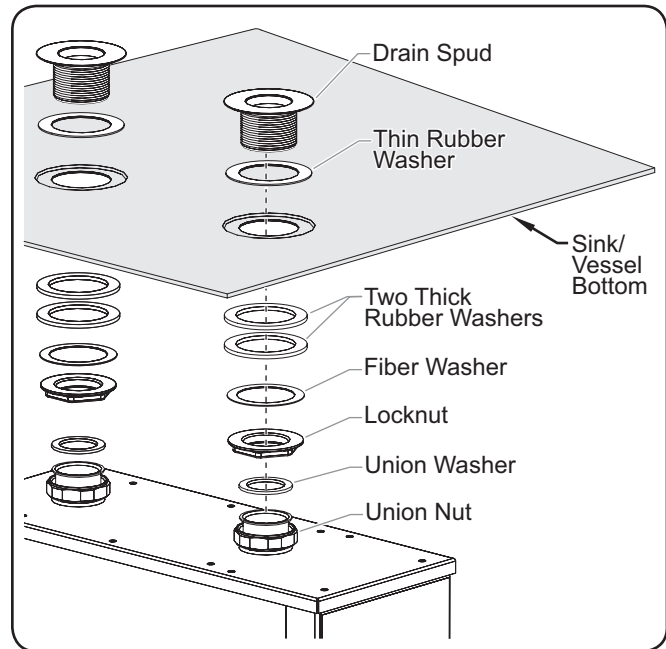
2. Center punch and drill a 3/4" (19 mm) pilot hole at each of the two center marks on the template.

**NOTE:** The pilot holes are for cutting larger holes with a knockout hole punch.

3. Remove the template and cut a 2" (51 mm) diameter hole at each pilot hole location using a knockout hole punch.
4. Make a 1/8" (3 mm) offset around each 2" (51 mm) diameter hole. The offset should be a diameter of 3" (76 mm) centered around the hole.



Side View of Hole and Offset



Installing the Drain Spud Assembly

5. Unscrew the drain spud assembly from the welded pipe on the heater.
6. Unscrew the locknut from the drain spud assembly and slide off all of the washers except the thin rubber washer.
7. With only the thin rubber washer attached to the drain spud, slide the drain spud through the sink hole from above.
8. Secure the drain spud assembly to the sink or holding vessel.
  - a. From under the sink, slide the two thick rubber washers followed by the fiber washer onto the drain spud.
  - b. Screw the locknut (flat side up) onto the drain spud.
9. Repeat steps 5–8 for the other spud assembly.
10. Secure the unit to the sink or holding vessel. Two people may be required for this step.

**NOTE:** Make sure the union washers are positioned properly inside the union nuts and are not crimped.

- b. Screw the union nut to the threaded drain spud assembly.

**NOTICE**

**Do not use excessive force when tightening unions or nuts. Over-tightening and excessive force may cause leaks.**

11. Tighten the union nuts and locknuts securely.
12. Verify drain valve handle is in closed (vertical) position.
13. Fill the sink or holding vessel with water and check for leaks.

**NOTE:** A 3/4" (19 mm) hose or pipe may be connected to the sump drain and run to an open site drain. The sump drain should not be permanently connected to the sanitary drain system. Check local plumbing code for proper drain installation. See the MAINTENANCE section for more information.

## Installing FRC Models

The FRC-I Model mounts into a countertop. Use the following procedure to mount the unit to the countertop.

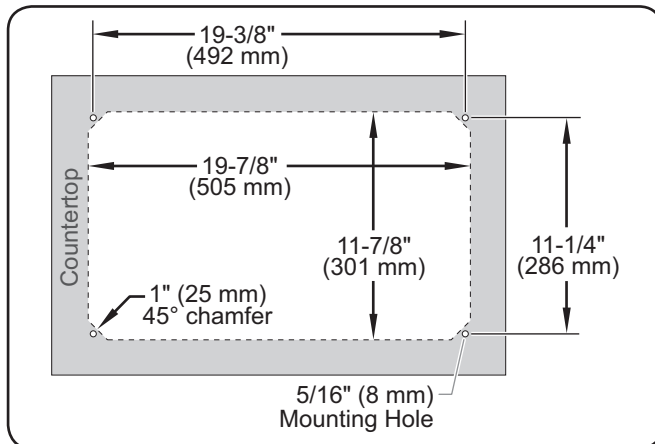
*NOTE: FRC-II Models are shipped pre-assembled in a stand from the factory.*

### CAUTION

**BURN HAZARD: Drain water may reach temperatures in excess of 200°F (93°C). Use appropriate plumbing materials when installing drain.**

**Do not use extension pipes on the inlet and outlet connections on water heater units. Poor performance or unsafe conditions may occur.**

1. Cut the countertop opening. Refer to the Countertop Cutout figure in this section for more information.
  - a. Measure and mark the countertop for the cutout. (19-7/8" [505 mm] x 11-7/8" [301 mm]).
    - The corners need a 1" (25 mm) x 45° chamfer for the 5/16" (8 mm) mounting holes.
  - b. Cutout the countertop using the markings.
2. Drill the 5/16" (8 mm) mounting holes at each chamfer corner. Refer to the Countertop Cutout figure in this section for dimensions.



Top View of Countertop Cutout

*NOTE: The dotted lines in the Countertop Cutout figure mark the area to cut out.*

3. Apply a bead of NSF-approved sealant between the countertop material and the mounting flange on the unit. The sealant must be rated for use at a minimum temperature of 250°F (121°C).
4. Place the unit into the countertop opening.
  - a. Align the studs on the bottom of the sink into the 5/16" (8 mm) mounting holes at each chamfer corner.
  - b. Fasten with the included nylock nuts.

*NOTE: There must be a minimum of 30" (762 mm) clearance below the countertop to accommodate the tank, heater, and drain assembly.*

5. Remove any excess sealant.

## Electrical Information

Hatco 3CS and FR Model Water Heaters are available for operation on standard power systems. Check the specification label for the proper power supply.

All internal electrical connections have been made at the factory. Refer to the appropriate "Electrical Rating Chart" for wiring and voltage requirements.

### WARNING

**Turn OFF power switch, disconnect unit from power source, and allow unit to cool before performing any cleaning, adjustments, or maintenance.**

### NOTICE

**Connect Water Heaters to the same power supply as indicated on the specification decal only. Connecting units to an incorrect power supply will void the product warranty and may damage the equipment.**

## Hardwired Connections

Conductors from a properly sized fused disconnect switch or circuit breaker must be wired to the heater in accordance with local electrical codes.

1. Remove the bottom cover screws and remove the bottom cover.
2. Locate the heater terminal block inside the unit.

*NOTE: 3CS and FR Models rated for 6 and 9 kW (wired for three phase open delta) can be field converted to single phase. Refer to the electrical diagram supplied with unit or contact Hatco for assistance.*

3. Bring power leads from a properly sized disconnect switch or circuit breaker through the knockouts provided on the unit, and connect to the terminal block.
  - Use copper wire only. Tighten connections properly to a minimum of 40 inch pounds.

*NOTE: Refer to "Dimensions" in the SPECIFICATION section for knockout locations.*

*NOTE: Due to the rigors of transportation all connections should be checked for tightness before heater is put into operation.*

4. A grounding lug is provided near the terminal block. An equipment grounding conductor must be properly connected to it.
5. Replace and secure bottom cover using previously removed screws.

## Cord, Plug, and Receptacle Connections

FR-3 and FR-4 water heaters may be supplied with an optional electrical cord, plug, and receptacle. FR-3 Models use a NEMA 6-20R receptacle, FR-4 Models use a NEMA 6-30R receptacle.

All FRC Models are shipped with cords.

### WARNING

**ELECTRIC SHOCK HAZARD: Units supplied with an electrical cord, plug, and receptacle require installation of receptacle to on-site electrical system. Connection must be properly grounded and of correct voltage, size, and configuration for electrical specifications of unit. Contact a qualified electrician to determine and install proper electrical connection.**

## General

Use the following procedures to operate a water heater.



**WARNING**

Read all safety messages in the **IMPORTANT SAFETY INFORMATION** section before operating this equipment.



**CAUTION**

### BURN HAZARD:

- Water in holding vessel may reach temperatures in excess of 190°F (88°C). Use appropriate protection when operating unit.
- Units are designed to heat water up to 190°F (88°C). DO NOT set temperature controls to a setting higher than 190°F (88°C). Water over 190°F (88°C) is very active and could splash onto operator causing serious burns or injury.

Do not add cold food for rethermalizing while holding hot food. The hot food will not maintain proper serving temperature.

### NOTICE

Make sure a minimum of 0.5 gallons (2 liters) of water is in unit before plugging in or operating. Operating unit with less than 2 liters of water will cause unit to overheat.

### Startup

1. Check that the fused disconnect switch or circuit breaker is on, or if equipped with power cord and plug make sure unit is plugged into a properly grounded receptacle of the correct voltage, size, and plug configuration. See the SPECIFICATIONS section for details.
2. Make sure that the drain cap is securely tightened to the heating chamber drain.
3. Close sump drain by moving the drain handle toward the front of the unit until it stops.
4. Fill the sink or holding vessel with hot tap water to the normal operating level.

*NOTE: FR Models should be installed with a perforated water baffle (not supplied with unit) to distribute the heated water properly. The baffle should be 3/4" (19 mm) high with a divider wall between the inlet and outlet. The baffle should also have 3/4" (19 mm) holes around the periphery every 6" (152 mm).*

5. Move the Power ON/OFF (I/O) toggle switch to the ON (I) position.
  - The POWER ON light will glow indicating power is supplied.
6. On FR Models, set the water temperature control to the desired temperature.
7. Wait until the water reaches the desired temperature.
  - FR Models: The WATER AT TEMPERATURE light will glow when water is at the control temperature.
  - 3CS models: An optional WATER AT TEMPERATURE light or an optional temperature monitor can be used to determine when a sanitizing temperature is reached.

## Energy Cut-Off Switch (ECO)

All Hatco water heaters have a built-in Energy Cut-Off switch (ECO) that will shut "OFF" the power if the unit should overheat.

If the Energy Cut-Off switch has activated, a low water level may be the cause. To continue operation the unit needs to be reset.

To reset FR Models:

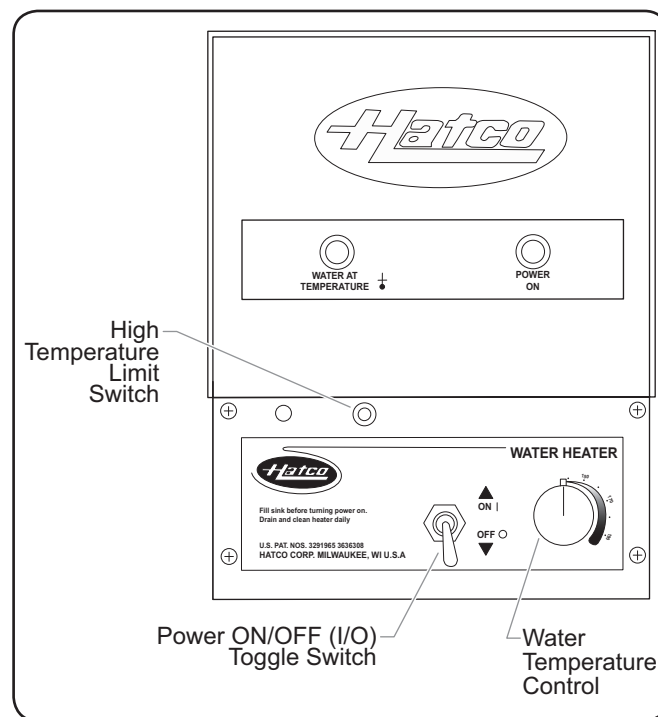
- Fill to the proper water level. Push the high temperature limit switch on the front of the heater.

To reset 3CS Models:

- Fill to the proper water level. Turn the Power ON/OFF (I/O) switch to OFF (O) position and then to the ON (I) position.

*NOTE: The ECO on FR Models does not protect the heater when both reservoirs are drained. The optional low-water cut-off (LWCO) system disconnects power to the heating elements if water is drained.*

*NOTE: The ECO on 3CS Models does not protect the heating elements when both reservoirs are drained. Dry firing of unit will damage the heating elements and is not covered under warranty.*



Control Panel (FR Model shown)



## General

Hatco Water Heaters are designed for maximum durability and performance with minimum maintenance.



### ELECTRIC SHOCK HAZARD:

- Turn OFF power switch, unplug power cord/turn off power at circuit breaker, and allow unit to cool before performing any cleaning, adjustments, or maintenance.
- DO NOT submerge or saturate with water. Unit is not waterproof. Do not operate if unit has been submerged or saturated with water.
- Do not steam clean or use excessive water on unit.
- Do not clean unit when it is energized or hot.

This unit has no “user-serviceable” parts. If service is required on this unit, contact an Authorized Hatco Service Agent or contact the Hatco Service Department at 800-558-0607 or 414-671-6350.

Use only Genuine Hatco Replacement Parts when service is required. Failure to use Genuine Hatco Replacement Parts may subject operators of the equipment to hazardous electrical voltage, resulting in electrical shock or burn. Genuine Hatco Replacement Parts are specified to operate safely in the environments in which they are used. Some aftermarket or generic replacement parts do not have the characteristics that will allow them to operate safely in Hatco equipment.

### Recommended Cleaning Schedule

Complete cleaning and power flushing should be done:

- On a daily basis.
- Whenever food accumulates in the tank.
- Whenever a non-food spill occurs.
- Whenever the unit is to be stored or shipped, especially in freezing temperatures.

### Helpful Hints

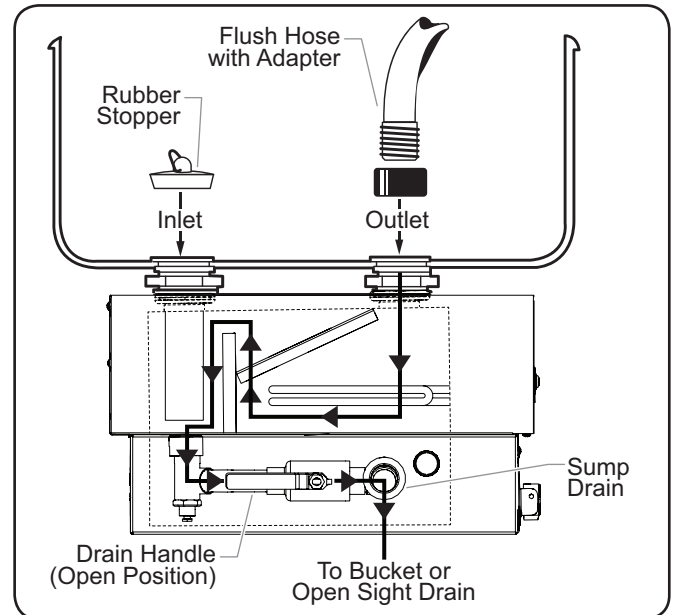
- Keep inlet and outlet free of debris.
- Keep perforated water baffle (not supplied) in place and free of debris (FR units only).
- Delime unit using a non-corrosive deliming solution.

### Daily Cleaning

Use the following procedure to clean the unit. The unit should be cleaned daily. Lime and mineral deposits should be removed regularly. The flush hose kit accessory is recommended to clean the unit properly.

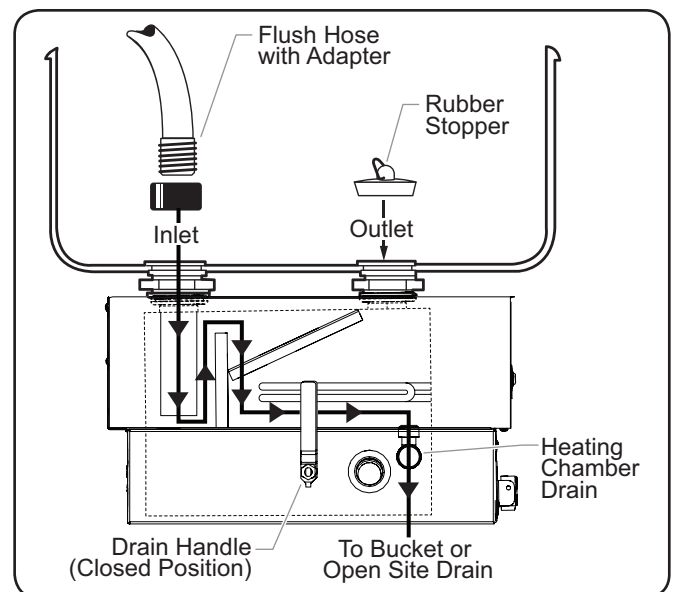
1. Move the POWER ON/OFF (I/O) toggle switch to the OFF (O) position and allow the unit and water to cool.
2. Connect one end of a drain hose onto the sump drain with the other end in a bucket or open site drain in a manner according to local plumbing codes.
3. Place rubber stopper into the inlet strainer.
4. Open the sump drain by moving the drain handle backward until it is in the horizontal position. Water will now flow from the drain hose.

5. Attach the flush hose with adapter to a fresh water supply and position adapter end into outlet strainer. Flush with water until discharge from sump drain is clear.



Draining the Sump Reservoir

6. Close the sump drain by moving the drain handle towards the front of the unit until it stops.
7. Place the rubber stopper into the outlet strainer and the flush hose in the inlet.
8. Place a bucket under the heating chamber drain and remove the drain cap. Flush water through the unit until discharge water from heating compartment is clear.



Draining the Heating Reservoir

9. Turn the water supply off and allow the unit to finish draining.
10. Replace the drain cap and tighten to stop any leaks.
11. Remove the rubber stopper and the flush hose.

## Remove Lime and Mineral Deposits

The amount of lime and mineral content in the water and how often the unit is operated will dictate how often the unit needs to be delimed.

Units used with water that contains high lime and mineral content may require deliming on a daily basis.

Use the following procedure to remove lime and mineral deposits.

1. Move the Power ON/OFF (I/O) toggle switch to the OFF (O) position and allow the unit and water to cool.
2. Connect one end of a drain hose onto the sump drain with the other end in a bucket or open site drain in a manner according to local plumbing codes.
3. Remove drain cap from side of unit and drain all water from heating compartment.
4. Replace the drain cap on the side of unit.
5. Close the sump drain by moving the drain handle toward the front of the unit until it stops.
6. Add a mixture of 75% water and 25% white vinegar into the heat tank through the sink strainer assemblies. Do not use flavored vinegar. Allow the unit to stand with the mixture in the reservoir for an appropriate period of time.

*NOTE: The amount of lime and mineral content in the water and how often the unit is operated will dictate how often the unit needs to be delimed. Units used with water that contains high lime and mineral content may require deliming on a daily basis.*

*NOTE: The time required will vary depending on the solution used and amount of deposits in reservoir.*

*NOTE: Product failure caused by liming or sediment buildup is not covered under warranty.*

*NOTE: The delimer used should be a safe, non-toxic, non-corrosive solution. Follow the delimer's instructions.*

7. After cleaning, drain all expended solution from the unit through the sump drain and heating chamber drain.
8. Thoroughly flush heater through the front and rear openings with fresh water for several minutes until discharge is clear.
9. Re-install drain cap and close sump drain.
10. Upon visual inspection, if tank is not thoroughly clean, repeat steps 6-9.

## Draining Heater For Service Protection

Use the following procedure when shutting down the unit for long periods of time.

1. Move the Power ON/OFF (I/O) toggle switch to the OFF (O) position.
2. Perform the entire "Cleaning" procedure in this section.
3. Turn off the electrical power supply to the heater.
4. Make sure the water has been drained from the unit as well as the sink or holding vessel.

*NOTE: Heating element chamber holds from 2-1/2 up to 4-1/2 quarts of water, depending upon model.*

## Resetting the Energy Cut-Off Switch (ECO)

FR Models are equipped with a manually-resettable high temperature limit switch that prevents the water temperature from getting dangerously high.

If the water inside the unit becomes too hot, the high temperature limit switch will shut the unit off.

To reset the energy cut-off switch after it activates, use the following procedure.

1. Move the Power ON/OFF (I/O) toggle switch to the OFF (O) position.
2. Press the high temperature limit switch until it clicks. The switch is a small red button located on the front of the unit.
  - The high temperature limit switch is now reset.

*NOTE: 3CS models do not have a manually reset on the high temperature limit switch. If the unit shuts off due to high water temperature, turn the unit off and let it cool.*

*NOTE: Contact an Authorized Service Agent if the high temperature limit continues to trip.*

# TROUBLESHOOTING GUIDE

## Troubleshooting Questions?

If you continue to have problems resolving an issue, please contact the nearest Authorized Hatco Service Agency or Hatco for assistance. To locate the nearest Service Agency, log onto the Hatco website at [www.hatcocorp.com](http://www.hatcocorp.com) and click on *Find Service Agent*, or contact the **Hatco Parts and Service Team** at:

**Telephone: 800-558-0607 or 414-671-6350**

**e-mail: [support@hatcocorp.com](mailto:support@hatcocorp.com)**



This unit must be serviced by trained and qualified personnel only. Service by unqualified personnel may lead to electric shock or burn.



**ELECTRIC SHOCK HAZARD:** Turn OFF power switch, unplug power cord/turn off power at circuit breaker, and allow unit to cool before performing any cleaning, adjustments, or maintenance.

Symptom	Probable Cause	Corrective Action
Water temperature too high.	The water temperature control (FR only) is set too high.	Adjust the water temperature control (FR only) to the desired temperature.
Water temperature too low.	Water heaters need approximately 30 minutes to reach a safe sanitizing temperature.	Wait 30 minutes for the unit to reach proper temperature.
	The water temperature control (FR only) is set too low.	Adjust the water temperature control (FR only) to the desired temperature.
Heating elements burn out.	The sink or holding vessel is dry or has a low level of water.	Fill the sink or holding vessel with water to normal operating level.
	Deposits built up in heater are restricting water flow.	Perform the entire "Cleaning" procedure in the MAINTENANCE section.
The sink or holding vessel leaks.	Fittings are too loose or too tight.	Adjust any fittings that may be causing the unit to leak. Replace gasket, if necessary.
The Power ON/OFF (I/O) toggle switch is in the ON (I) position but the unit is not heating the water.	The Low-Water Cut-Off switch was activated.	The unit was shutdown due to a low water level or from being overheated. Fill the heater to the proper water level and turn the Power ON/OFF (I/O) toggle switch to the OFF (O) position and then to the ON (I) position.
	Fuses may be blown, the circuit breaker may be tripped, or the power cord may be unplugged.	Check for proper fuse sizing and replace fuses, check/reset circuit breaker, and/or check/replace power cord.

## OPTIONS AND ACCESSORIES

### Temperature Monitor

An optional temperature monitor is available for 3CS Models. The temperature monitor displays the current water temperature.

### Temperature Light

An optional temperature light is available for 3CS Models. The temperature light glows when the water temperature reaches safe sanitizing temperature.

### Low-Water Cut-Off

An optional low-water cut-off (LWCO) feature is available for FR Models. This feature prevents element burn out from low water conditions.

### Flush Hose Kit

The Flush Hose Kit is available for 3CS and FR Models and is used to power flush the unit to keep it working at peak efficiency. The kit consists of a drain stopper and a hose with adapter.

### Security Package

A security package is a factory-installed option for 3CS and FR Models. A security package contains Torx® screws and a control cover.

### Cord and Plug with Receptacle

An optional cord and plug with the matching receptacle is available for FR-3 and FR-4 Models. Refer to "Plug Configurations" in the SPECIFICATION section for more information.

*NOTE: Optional items are not field retrofittable.*

## 1. PRODUCT WARRANTY

Hatco warrants the products that it manufactures (the "Products") to be free from defects in materials and workmanship, under normal use and service, for a period of one (1) year from the date of purchase when installed and maintained in accordance with Hatco's written instructions or 18 months from the date of shipment from Hatco. Buyer must establish the Product's purchase date by registering the Product with Hatco or by other means satisfactory to Hatco in its sole discretion.

Hatco warrants the following Product components to be free from defects in materials and workmanship from the date of purchase (subject to the foregoing conditions) for the period(s) of time and on the conditions listed below:

**a) One (1) Year Parts and Labor PLUS One (1) Additional Year Parts-Only Warranty:**

Conveyor Toaster Elements (metal sheathed)  
Drawer Warmer Elements (metal sheathed)  
Drawer Warmer Drawer Rollers and Slides  
Strip Heater Elements (metal sheathed)  
Display Warmer Elements (metal sheathed air heating)  
Holding Cabinet Elements (metal sheathed air heating)  
Heated Well Elements—HW and HWB Series  
(metal sheathed)

**b) Two (2) Year Parts and Labor Warranty:**

Induction Ranges

**c) One (1) Year Parts and Labor PLUS Four (4) Years Parts-Only Warranty:**

3CS and FR Tanks

**d) One (1) Year Parts and Labor PLUS Nine (9) Years Parts-Only Warranty on:**

Electric Booster Heater Tanks  
Gas Booster Heater Tanks

**e) Ninety (90) Day Parts-Only Warranty:**

Replacement Parts

THE FOREGOING WARRANTIES ARE EXCLUSIVE AND IN LIEU OF ANY OTHER WARRANTY, EXPRESSED OR IMPLIED, INCLUDING BUT NOT LIMITED TO ANY IMPLIED WARRANTY OF MERCHANTABILITY OR FITNESS FOR A PARTICULAR PURPOSE OR PATENT OR OTHER INTELLECTUAL PROPERTY RIGHT INFRINGEMENT. Without limiting the generality of the foregoing, SUCH WARRANTIES DO NOT COVER: Coated incandescent light bulbs, fluorescent lights, heat lamp bulbs, coated halogen light bulbs, halogen heat lamp bulbs, xenon light bulbs, LED light tubes, glass components, and fuses; Product failure in booster tank, fin tube heat exchanger, or other water heating equipment caused by liming, sediment buildup, chemical attack, or freezing; or Product misuse, tampering or misapplication, improper installation, or application of improper voltage.

## 2. LIMITATION OF REMEDIES AND DAMAGES

Hatco's liability and Buyer's exclusive remedy hereunder will be limited solely, at Hatco's option, to repair or replacement using new or refurbished parts or Product by Hatco or a Hatco-authorized service agency (other than where Buyer is located outside of the United States, Canada, United Kingdom, or Australia, in which case Hatco's liability and Buyer's exclusive remedy hereunder will be limited solely to replacement of part under warranty) with respect to any claim made within the applicable warranty period referred to above. Hatco reserves the right to accept or reject any such claim in whole or in part. In the context of this Limited Warranty, "refurbished" means a part or Product that has been returned to its original specifications by Hatco or a Hatco-authorized service agency. Hatco will not accept the return of any Product without prior written approval from Hatco, and all such approved returns shall be made at Buyer's sole expense. HATCO WILL NOT BE LIABLE, UNDER ANY CIRCUMSTANCES, FOR CONSEQUENTIAL OR INCIDENTAL DAMAGES, INCLUDING BUT NOT LIMITED TO LABOR COSTS OR LOST PROFITS RESULTING FROM THE USE OF OR INABILITY TO USE THE PRODUCTS OR FROM THE PRODUCTS BEING INCORPORATED IN OR BECOMING A COMPONENT OF ANY OTHER PRODUCT OR GOODS.

<b>Informations Importantes pour le Propriétaire.....</b>	<b>19</b>	<b>Mode d'emploi .....</b>	<b>31</b>
<b>Introduction.....</b>	<b>19</b>	Généralités .....	31
<b>Consignes de Sécurité Importantes.....</b>	<b>20</b>	<b>Maintenance.....</b>	<b>32</b>
Critères NSF.....	21	Généralités .....	32
<b>Désignation du Modèle.....</b>	<b>21</b>	Nettoyage Quotidien.....	32
<b>Description du Modèle.....</b>	<b>22</b>	Retrait des dépôts de calcaire et de minéraux.....	33
<b>Caractéristiques Techniques .....</b>	<b>22</b>	Vidange du réchauffeur pour protection.....	33
Configuration des Fiches.....	22	Réinitialisation de l'interrupteur de courant (ECO).....	33
Tableau des Caractéristiques électriques.....	23	<b>Guide de Dépannage.....</b>	<b>34</b>
Dimensions.....	27	<b>Options et Accessoires .....</b>	<b>34</b>
<b>Installation.....</b>	<b>28</b>	<b>Garantie Limitée .....</b>	<b>35</b>
Généralités .....	28	<b>Autorisés Distributeurs de Pièces.....</b>	<b>Couverture Arrière</b>
Informations relatives aux dimensions .....	28		
Installation des modèles 3CS et FR.....	28		
Installation des modèles FRC .....	30		
Informations électriques .....	30		

## INFORMATIONS IMPORTANTES POUR LE PROPRIÉTAIRE

Noter le numéro de modèle, le numéro de série (situé sur le côté inférieur droit à l'avant de l'appareil), le voltage et la date d'achat de votre appareil ci-dessous. Veuillez avoir cette information à portée de la main si vous appelez Hatco pour assistance.

Modèle No. \_\_\_\_\_

Numéro de série \_\_\_\_\_

Voltage \_\_\_\_\_

Date d'achat \_\_\_\_\_

### Enregistrez votre appareil!

• Remplissez la garantie en ligne pour éviter les retards pour faire jouer la garantie. Accédez au site Web Hatco [www.hatcocorp.com](http://www.hatcocorp.com), sélectionnez le menu déroulant Parts & Service, puis cliquez sur Warranty Registration.

Horaires

ouvrables: 7h00 à 17h00  
Heure du Centre des États-Unis (CST)  
(Horaires d'été : juin à septembre—  
7h00 à 17h00 CST du lundi au jeudi  
7h00 à 16h00 CST le vendredi)

Téléphone : 800-558-0607; 414-671-6350

Courriel : [support@hatcocorp.com](mailto:support@hatcocorp.com)



Service d'assistance et de pièces de rechange disponible 7j/7, 24h/24 aux États-Unis et au Canada en composant le 800-558-0607.

Des renseignements supplémentaires sont disponibles sur notre site Web à [www.hatcocorp.com](http://www.hatcocorp.com).

## INTRODUCTION

Les réchauffeurs FR et 3CS Hatco sont conçus pour alimenter un bac ou un récipient situé au-dessus du réchauffeur en eau dont la température est contrôlée. L'eau circule par convection naturelle du bac ou du récipient vers le réchauffeur en passant directement dans le réservoir arrière. Le réservoir arrière sert à collecter les saletés.

Les résidus pouvant affecter le fonctionnement de l'élément chauffant se déposent dans le bassin collecteur pour être évacués ultérieurement. L'eau exempte de résidus se dirige vers le deuxième réservoir où sont installés les éléments chauffants. L'eau est chauffée et remonte vers le bac ou le récipient.

Tous les raccords électriques et la plomberie sont assemblés en usine et sont prêts à être installés.

Les réchauffeurs FR et 3CS Hatco sont le fruit de recherches approfondies et d'essais sur le terrain. Les matériaux utilisés ont été sélectionnés pour un maximum de durabilité, une belle apparence et une performance optimale. Chaque appareil est minutieusement inspecté et testé avant expédition.

Ce manuel contient des instructions relatives à l'installation, à la sécurité et au fonctionnement des réchauffeurs d'eau Hatco. Hatco vous recommande de lire l'ensemble des instructions d'installation et d'utilisation et toutes les consignes de sécurité dans ce manuel avant d'installer et d'utiliser l'appareil.

Les consignes de sécurité qui apparaissent dans ce manuel sont identifiées par les mots indicateurs suivants :

### ⚠ AVERTISSEMENT

**AVERTISSEMENT** indique une situation dangereuse qui, si elle n'est pas évitée, peut provoquer la mort ou des blessures graves.

### ⚠ ATTENTION

**ATTENTION** indique une situation dangereuse qui, si elle n'est pas évitée, peut provoquer des blessures légères ou moyennes.

### AVIS

**AVIS** est utilisé pour des questions sans rapport avec des blessures corporelles.





Lisez les consignes de sécurité importantes suivantes avant d'utiliser cet équipement pour éviter toute blessure grave ou la mort et pour éviter d'endommager l'équipement ou la propriété.

## **AVERTISSEMENT**

### DANGER DE DÉCHARGE ÉLECTRIQUE :

- Les appareils fournis sans cordon ni prise électrique nécessitent un branchement câblé au système électrique sur place. Le câblage doit être mis à la terre de manière appropriée. Son voltage, ses dimensions et sa configuration doivent également correspondre aux spécifications électriques de l'appareil. Contactez un électricien qualifié pour procéder au choix et à l'installation des branchements électriques adaptés.
- Les appareils fournis avec un cordon, une prise électrique et un réceptacle nécessitent un branchement du réceptacle au système électrique sur place. Le câblage doit être mis à la terre de manière appropriée. Son voltage, ses dimensions et sa configuration doivent également correspondre aux spécifications électriques de l'appareil. Contactez un électricien qualifié pour procéder au choix et à l'installation des branchements électriques adaptés.
- L'appareil doit être installé par des installateurs professionnels qualifiés. L'installation doit être conforme à toutes les normes locales en matière d'électricité et de plomberie. Une installation par un personnel non qualifié aura pour conséquence une annulation de la garantie de l'appareil et peut entraîner une décharge électrique ou une brûlure, ainsi que des dommages pour l'appareil et/ou ses alentours. Vérifiez les procédures et les normes à suivre auprès de vos inspecteurs locaux en matière de plomberie et d'électricité.
- L'appareil n'est pas à l'épreuve des intempéries. Placer l'appareil à l'intérieur à une température ambiante de 21°C (70°F) minimum.
- Mettez l'interrupteur sur « ARRÊT », débranchez le cordon d'alimentation/coupez le courant au disjoncteur, et laissez refroidir l'appareil avant d'effectuer toute opération de nettoyage, de réglage ou d'entretien.
- NE PAS immerger l'appareil ni le saturer d'eau. L'appareil n'est pas étanche à l'eau. Ne pas le faire fonctionner s'il a été immergé ou saturé d'eau.
- Ne nettoyez pas l'appareil tant qu'il est branché ou chaud.
- Cet appareil n'est pas étanche aux jets. Ne pas utiliser de jet sous pression pour nettoyer l'appareil.
- Ne pas utiliser l'appareil si le cordon est endommagé ou usé.
- Ne pas tenter de réparer ni de changer un cordon électrique endommagé. Ce cordon doit être changé par Hatco, par un réparateur Hatco agréé ou par une personne de qualifications comparables.
- La réparation de cet appareil doit être confiée exclusivement à du personnel qualifié. Les réparations par des personnes non qualifiées peuvent provoquer des décharges électriques et des brûlures.

Cet appareil ne doit pas être utilisé par des enfants ou des personnes avec des capacités physiques, sensorielles ou mentales diminuées. Assurez-vous que les enfants sont bien surveillés et tenez-les à l'écart de l'appareil.

## **AVERTISSEMENT**

### DANGER D'INCENDIE :

- Installez l'appareil avec un minimum de 89 mm (3-1/2") d'espace entre le dessous de l'appareil et toutes les surfaces inflammables afin d'éviter toute combustion.
- L'utilisation de produits chimiques agressifs tels que l'eau de javel, les produits nettoyants contenant de la javel, les produits de nettoyage pour les fours ou tout produit de nettoyage inflammable sont proscrits pour nettoyer l'appareil.

Assurez-vous que tous les opérateurs ont été formés à l'utilisation sûre et correcte de l'appareil.

Hatco Corporation n'est pas responsable de la température réelle à laquelle les aliments sont servis. Il est de la responsabilité de l'utilisateur de s'assurer que les produits alimentaires sont maintenus et servis à une température sans danger.

Pour les réparations, utiliser exclusivement des pièces de rechange Hatco d'origine. Utilisez des pièces détachées Hatco authentiques sous peine d'annuler toutes les garanties et d'exposer l'utilisateur à des tensions électriques dangereuses pouvant entraîner une électrocution ou des brûlures. Les pièces de rechange Hatco d'origine sont conçues pour fonctionner sans danger dans les environnements dans lesquels elles sont utilisées. Certaines pièces de rechange génériques ou de second marché ne présentent pas les caractéristiques leur permettant de fonctionner sans danger dans la matériel Hatco.

Cet appareil ne contient aucune pièce réparable par l'utilisateur. Si cet appareil doit être réparé, contacter un réparateur Hatco agréé ou le Service après-vente Hatco au 800-558-0607 ou 414-671-6350.

## **ATTENTION**

### DANGER DE BRÛLURE :

- Certaines surfaces extérieures de l'appareil deviendront chaudes. Évitez tout contact inutile avec l'appareil.
- L'eau de vidange peut atteindre des températures supérieures à 93°C (200°F). Utilisez les matériaux de plomberie appropriés lors de l'installation du système de vidange.
- L'eau contenue dans le récipient peut atteindre des températures supérieures à 88°C (190°F). Utilisez une protection adaptée lorsque vous utilisez l'appareil.
- L'eau chaude contenue dans l'appareil peut causer des brûlures. Laissez l'appareil refroidir avant de le vider ou de le nettoyer.
- Ne réglez PAS la commande de la température sur une valeur supérieure à 88°C (190°F). Les appareils sont conçus pour chauffer l'eau jusqu'à 88°C (190°F). Une eau dont la température est supérieure à 88°C (190°F) est très active et peut éclabousser l'opérateur, occasionnant des brûlures ou des blessures.



**ATTENTION**

N'utilisez pas de tuyau d'extension sur les raccords d'entrée et de sortie des réchauffeurs d'eau. Vous risqueriez d'obtenir de mauvais résultats et de travailler dans des conditions dangereuses.

N'ajoutez pas de nourriture froide pour régénération lors de la manipulation de nourriture chaude. La nourriture chaude ne sera pas maintenue à la bonne température de service.

**AVIS**

Les appareils ne fonctionnent qu'à la tension spécifiée. Reportez-vous à l'étiquette des caractéristiques des exigences électriques avant de commencer l'installation. Le raccordement de l'appareil à une alimentation électrique inappropriée annulera la garantie du produit et risque d'endommager l'appareil.

Cet appareil est réservée à un usage professionnel uniquement — il n'est PAS dédié à un usage personnel.

Ne mettez pas l'appareil sous tension tant que le récipient n'a pas été rempli d'eau. En cas de fonctionnement à sec, l'élément risque de griller.

Ne vidangez le récipient que lorsqu'il est hors tension, ou les éléments risquent de griller.

N'exercez pas une force excessive lors du serrage des raccord-uniions ou des écrous. Un serrage excessif ou une force excessive peut entraîner des fuites.

L'eau entrante qui dépasse 0,75 grain de dureté par litre (GPL) (3 grains de dureté par gallon [GPG]) doit être traitée et adoucie avant d'être introduite dans le(s) réchauffeur(s) d'eau. L'eau contenant plus de 0,75 GPL (3 GPG) diminue l'efficacité, augmente la consommation d'énergie et réduit la durée de vie utile de l'appareil par le biais d'une augmentation de l'accumulation de calcaire. Les dommages du produit causés par une accumulation de calcaire ou de sédiments ne sont pas couverts par la garantie.

Utilisez uniquement des décalcificateurs qui ne sont pas corrosifs sur l'aluminium, le laiton et l'acier inoxydable. Les dommages de l'appareil causés par des matériaux corrosifs ne sont pas couverts par la garantie.

**AVIS**

Contrôlez régulièrement l'appareil pour vérifier que le calcaire ou les sédiments ne s'y accumulent pas. Une accumulation de débris trop importante peut affecter la performance et réduire la durée de vie de l'appareil. Une panne de l'appareil causée par une accumulation de calcaire ou de sédiments n'est pas couverte par la garantie.

**Critères NSF**

La norme 4 NSF vient d'ajouter des exigences de performance relatives à la remise en température des aliments. Ces exigences reflètent celles de la remise en température des aliments dans le code alimentaire de la FDA. L'exigence de base est que les aliments doivent atteindre une température de 74° C (165°F) dans un délai de 2 heures maximum.

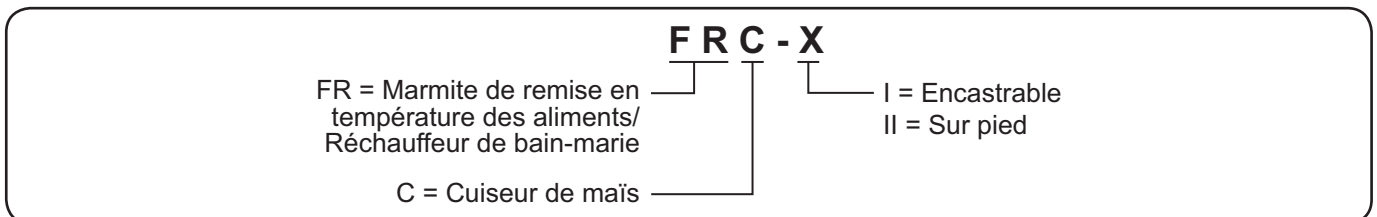
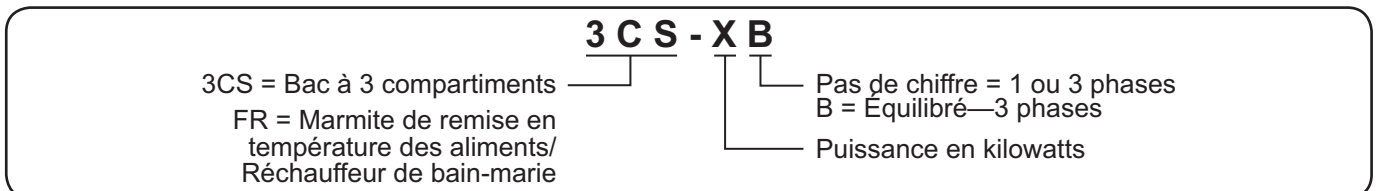
Les appareils conçus pour remettre en température des aliments doivent répondre à ces exigences de performance pour figurer dans la norme 4 NSF.

Le réchauffeur série FR Hatco est spécialement conçu pour remettre en température des aliments. Toutefois, cet appareil est destiné à être intégré dans une marmite de remise en température. Hatco ne fournit pas le récipient d'eau ni le système qui détermine la mise en place et la tenue des aliments dans le récipient. L'appareil FR Hatco se fixe au bas du récipient et fournit de l'eau chaude au récipient.

Hatco met à disposition des caractéristiques techniques pour permettre au fabricant de l'appareil d'ajuster correctement l'appareil FR au récipient. Cependant, différents facteurs peuvent influencer sur la fabrication du récipient et peuvent l'empêcher de répondre aux exigences de performance NSF. L'appareil HR Hatco est certifié NSF pour la construction uniquement. Étant donné que l'appareil FR n'est qu'une partie d'un système plus grand, il n'est pas possible de réaliser des tests de performance tant que l'appareil FR n'est pas intégré au récipient.

Il incombe au fabricant du récipient de tester l'intégralité de l'appareil de remise en température et de le certifier conforme à la norme 4 NSF. Le fait de relier une unité FR certifiée NSF à l'appareil n'entraîne pas la certification NSF de l'intégralité de l'appareil.

**DÉSIGNATION DU MODÈLE**



## Tous les Modèles

Les réchauffeurs d'eau 3CS et FR s'installent sous un bac ou un récipient, évitant ainsi d'obstruer l'intérieur du récipient. L'avant des réchauffeurs est en acier inoxydable, la structure est peinte par poudrage et ils sont équipés de deux sorties de purge. Ces réchauffeurs d'eau sont équipés d'un système unique de réservoir double pour un nettoyage facilité. L'un des réservoirs contient l'élément chauffant et doit toujours être rempli d'eau. Tandis que l'autre réservoir piège et recueille la saleté entraînée par un bac ou un récipient.

Chaque appareil est garanti 1 an pour les pièces et la main d'œuvre et le réservoir a une garantie limitée de 5 ans. Tous les appareils sont livrés entièrement assemblés et prêts à être installés avec tous les joints et raccords.

Une option sécurité, une base et une structure en acier inoxydable sont disponibles en option. Un moniteur et un témoin lumineux pour la température sont disponibles pour les modèles 3CS. Un tuyau de rinçage est disponible comme accessoire. Pour plus de détails, reportez-vous à la partie OPTIONS ET ACCESSOIRES.

## Modèles 3CS

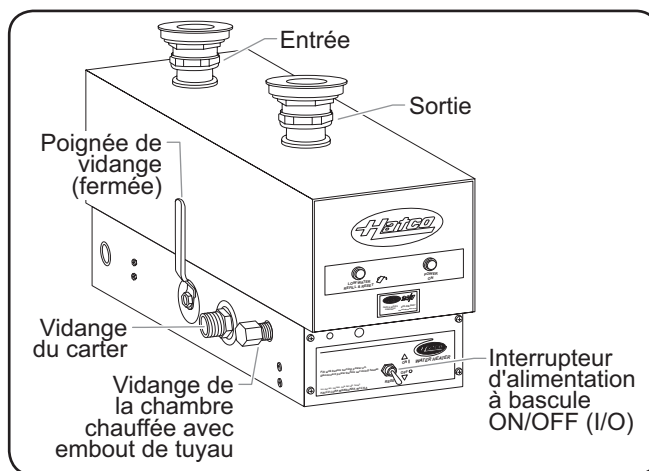
Les réchauffeurs 3CS Hatco sont compatibles avec toutes les procédures de lavage à la main. Ces appareils maintiennent l'eau de rinçage désinfectante à une température supérieure à 82 ° (180 °F).

## Modèles FR

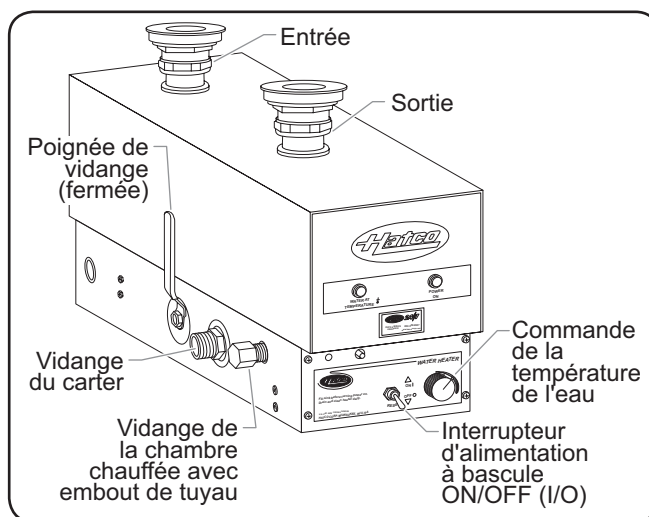
Les réchauffeurs FR Hatco sont conçus pour être utilisés avec un bain-marie ou une marmite de remise en température d'aliments afin de réchauffer les aliments ou de les maintenir à une température comprise entre 60 et 88 °C (140 et 190 °F). Le maintien de la température souhaitée se fait au moyen d'une commande ajustable de la température de l'eau.

## Modèles FRC-I et FRC-II

Les cuiseurs de maïs modèles FRC-I et FRC-II Hatco utilisent des réchauffeurs FR-3 Hatco. Le cuiseur de maïs est entièrement assemblé et est équipé d'un cordon et d'une prise électrique. L'appareil peut être équipé d'un support ou d'une cuve insérée dans un plan de travail.



Modèle 3CS



Modèle FR

# CARACTÉRISTIQUES TECHNIQUES

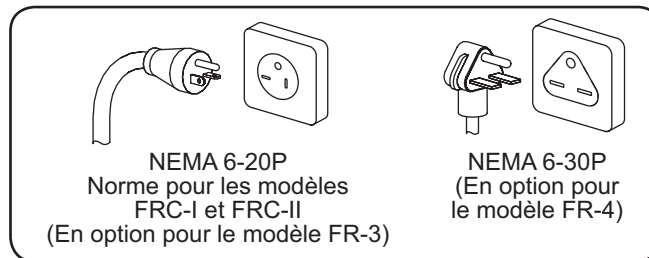
## Configuration des fiches

Certains appareils FR sont initialement fournis par l'usine avec un cordon et une prise électriques préinstallés et sont expédiés avec un réceptacle. Les prises et les réceptacles fournis sont compatibles avec les applications prévues.



**DANGER DE DÉCHARGE ÉLECTRIQUE :** Brancher l'appareil sur une prise de courant avec terre de tension, de format et de configuration des broches corrects. Si la fiche et la prise ne se correspondent pas, s'adresser à un électricien qualifié pour déterminer et installer une prise de courant de format et de tension corrects.

NOTA: L'étiquette de spécification du produit est située sur la partie inférieure droite à l'avant de l'appareil. Reportez-vous à l'étiquette du numéro de série et les données électriques de l'appareil.



Configuration des fiches

Modèle	208 V	240 V	220-230 V
FR-3	NEMA 6-20P	NEMA 6-20P	---
FR-4	NEMA 6-30P	NEMA 6-30P	---
FRC-I, -II	NEMA 6-20P	NEMA 6-20P	Cordon, Aucun capuchon

Tableau des Caractéristiques électriques—Modèles 3CS-X

Modèle	Tension	Kilowatts (kW)	Phase	Amps	Taille des fils AWG*†	Fusible ou disjoncteur*	Poids d'embarquement
3CS-3	208	3.0	1	14.4	12	20	11 kg (24 lbs.)
	240	3.0	1	12.5	12	20	11 kg (24 lbs.)
	480	3.0	1	6.3	14	15	11 kg (24 lbs.)
	220–230–240	2.5–2.8–3.0	1	11.5–12–12.5	12	20	11 kg (24 lbs.)
	380–400–415	2.8–3.1–3.4	1	7.4–7.8–8.1	14	15	11 kg (24 lbs.)
3CS-4	208	4.5	1	21.6	10	30	11 kg (24 lbs.)
	240	4.5	1	18.8	10	30	11 kg (24 lbs.)
	480	4.5	1	9.4	14	15	11 kg (24 lbs.)
	220–230–240	3.8–4.1–4.5	1	17.2–18–18.8	10	30	11 kg (24 lbs.)
	380–400–415	3.8–4.2–4.5	1	9.9–10.4–10.8	14	15	11 kg (24 lbs.)
	380–400–415	3.8–4.2–4.5	3♦	8.6–9–9.4	14	15	11 kg (24 lbs.)
3CS-6	208	6.0	1	29.8	8	40	12 kg (27 lbs.)
	240	6.0	1	25	8	40	12 kg (27 lbs.)
	480	6.0	1	12.5	12	20	12 kg (27 lbs.)
	220–230–240	5.0–5.5–6.0	1	23–24–25	10	30	12 kg (27 lbs.)
	380–400–415	5.6–6.3–6.7	1	14.8–15.6–16.2	12	20	12 kg (27 lbs.)
	208	6.0	3♦	25	8	40	12 kg (27 lbs.)
	240	6.0	3♦	21.7	10	30	12 kg (27 lbs.)
	380–400–415	5.6–6.3–6.7	3♦	12.9–13.5–14	12	20	12 kg (27 lbs.)
3CS-9	208	9.0	1	43.3	4	60	12 kg (27 lbs.)
	240	9.0	1	37.5	6	50	12 kg (27 lbs.)
	480	9.0	1	18.8	10	30	12 kg (27 lbs.)
	220–230–240	7.6–8.3–9.0	1	34.4–35.9–37.5	6	50	12 kg (27 lbs.)
	208	9.0	3♦	37.5	6	50	12 kg (27 lbs.)
	240	9.0	3♦	32.5	8	40	12 kg (27 lbs.)
	480	9.0	3♦	16.2	12	20	12 kg (27 lbs.)

Les zones ombrées contiennent des informations électriques pour **les modèles internationaux uniquement**.

\* La taille des fils se base sur des fils de type THHN pour une protection du circuit de dérivation avec un coefficient de déclassement de 0,91. Les disjoncteurs et sectionneurs porte-fusibles doivent être montés séparément et raccordés par un électricien. Les tailles sont basées sur le tableau 310-16 du NEC 2002. La taille du conduit est basée sur les dimensions des conducteurs plus le fil de terre en fonction du Tableau C1 de l'Annexe C.

† La taille des fils se base sur des fils THHN prévus pour 90°C.

♦ Construction standard à triangle ouvert (Ampérage supérieur au triphasé équilibré)

NOTA: Le poids d'embarquement comprend l'emballage.

Tableau des Caractéristiques électriques—Modèles 3CS-XB

Modèle	Tension	Kilowatts (kW)	Phase	Amps	Taille des fils AWG*†	Fusible ou disjoncteur*	Poids d'embarquement
3CS-3B	208	3.0	3 (Bal.)	8.3	14	15	14 kg (30 lbs.)
	240	3.0	3 (Bal.)	7.2	14	15	14 kg (30 lbs.)
	480	3.0	3 (Bal.)	3.6	14	15	14 kg (30 lbs.)
	380-400-415	2.8-3.1-3.4	3 (Bal.)	4.3-4.5-4.7	14	15	14 kg (30 lbs.)
3CS-4B	208	4.5	3 (Bal.)	12.5	12	20	14 kg (30 lbs.)
	240	4.5	3 (Bal.)	10.8	14	15	14 kg (30 lbs.)
	480	4.5	3 (Bal.)	5.4	14	15	14 kg (30 lbs.)
	380-400-415	3.8-4.1-4.5	3 (Bal.)	5.7-6-6.2	14	15	14 kg (30 lbs.)
3CS-6B	208	6.0	3 (Bal.)	18.8	10	30	14 kg (30 lbs.)
	240	6.0	3 (Bal.)	14.4	12	20	14 kg (30 lbs.)
	480	6.0	3 (Bal.)	7.2	14	15	14 kg (30 lbs.)
	380-400-415	5.6-6.3-6.7	3 (Bal.)	8.6-9-9.4	14	15	14 kg (30 lbs.)
3CS-9B	208	9.0	3 (Bal.)	25	10	40	14 kg (30 lbs.)
	240	9.0	3 (Bal.)	21.7	10	30	14 kg (30 lbs.)
	440	9.0	3 (Bal.)	11.8	14	15	14 kg (30 lbs.)
	480	9.0	3 (Bal.)	10.8	14	15	14 kg (30 lbs.)
	380-400-415	7.5-8.3-9.0	3 (Bal.)	11.4-11.9-12.5	12	20	14 kg (30 lbs.)

Les zones ombrées contiennent des informations électriques pour **les modèles internationaux uniquement**.

\* La taille des fils se base sur des fils de type THHN pour une protection du circuit de dérivation avec un coefficient de déclassement de 0,91. Les disjoncteurs et sectionneurs porte-fusibles doivent être montés séparément et raccordés par un électricien. Les tailles sont basées sur le tableau 310-16 du NEC 2002. La taille du conduit est basée sur les dimensions des conducteurs plus le fil de terre en fonction du Tableau C1 de l'Annexe C.

† La taille des fils se base sur des fils THHN prévus pour 90°C.

◆ Construction standard à triangle ouvert (Ampérage supérieur au triphasé équilibré)

NOTA: Le poids d'embarquement comprend l'emballage.

Tableau des Caractéristiques électriques—Modèles FR-X

Modèle	Tension	Kilowatts (kW)	Phase	Amps	Taille des fils AWG*†	Fusible ou disjoncteur*	Poids d'embarquement
FR-3	208	3.0	1	14.4	12	20	11 kg (24 lbs.)
	240	3.0	1	12.5	12	20	11 kg (24 lbs.)
	480	3.0	1	6.3	14	15	11 kg (24 lbs.)
	220–230–240	2.5–2.8–3.0	1	11.5–12–12.5	12	20	11 kg (24 lbs.)
	380–400–415	2.8–3.1–3.4	1	7.4–7.8–8.1	14	15	11 kg (24 lbs.)
	208	3.0	3♦	8.3	14	15	11 kg (24 lbs.)
	240	3.0	3♦	7.2	14	15	11 kg (24 lbs.)
	380–400–415	2.8–3.1–3.4	3♦	4.3–4.5–4.7	14	26	11 kg (24 lbs.)
	FR-4	208	4.5	1	21.6	10	30
240		4.5	1	18.8	10	30	11 kg (24 lbs.)
480		4.5	1	9.4	14	15	11 kg (24 lbs.)
220–230–240		3.8–4.1–4.5	1	17.2–18–18.8	10	30	11 kg (24 lbs.)
380–400–415		3.8–4.2–4.5	1	9.9–10.4–10.8	14	15	11 kg (24 lbs.)
208		4.5	3♦	12.5	12	20	11 kg (24 lbs.)
240		4.5	3♦	10.8	14	15	11 kg (24 lbs.)
380–400–415		3.8–4.2–4.5	3♦	8.6–9.0–9.4	14	15	11 kg (24 lbs.)
415		4.5	3♦	9.4	14	15	11 kg (24 lbs.)
480	4.5	3♦	5.4	14	15	11 kg (24 lbs.)	
FR-6	208	6.0	1	28.8	8	40	12 kg (27 lbs.)
	240	6.0	1	25	8	40	12 kg (27 lbs.)
	480	6.0	1	12.5	12	20	12 kg (27 lbs.)
	220–230–240	5.0–5.5–6.0	1	23–24–25	8	40	12 kg (27 lbs.)
	380–400–415	5.6–6.3–6.7	1	14.8–15.6–16.2	12	20	12 kg (27 lbs.)
	208	6.0	3♦	25	8	40	12 kg (27 lbs.)
	240	6.0	3♦	21.7	10	30	12 kg (27 lbs.)
	380–400–415	5.6–6.3–6.7	3♦	12.9–13.5–14	12	20	12 kg (27 lbs.)
	415	6.0	3♦	14	12	20	12 kg (27 lbs.)
480	6.0	3♦	10.8	14	15	12 kg (27 lbs.)	
480	6.0	3♦	7.2	14	15	12 kg (27 lbs.)	
FR-9	208	9.0	1	43.3	4	60	12 kg (27 lbs.)
	240	9.0	1	37.5	6	50	12 kg (27 lbs.)
	480	9.0	1	18.8	10	30	12 kg (27 lbs.)
	220–230–240	7.6–8.3–9.0	1	34.4–35.9–37.5	6	50	12 kg (27 lbs.)
	208	9.0	3♦	37.5	6	50	12 kg (27 lbs.)
	240	9.0	3♦	32.5	8	40	12 kg (27 lbs.)
	480	9.0	3♦	16.2	12	20	12 kg (27 lbs.)
	208	9.0	3♦	25	8	40	12 kg (27 lbs.)
	240	9.0	3♦	21.7	10	30	12 kg (27 lbs.)

## Tableau des Caractéristiques électriques—Modèles FR-XB

Modèle	Tension	Kilowatts (kW)	Phase	Amps	Taille des fils AWG*†	Fusible ou disjoncteur*	Poids d'embarquement
FR-3B	208	3.0	3 (Bal.)	8.3	14	15	14 kg (30 lbs.)
	240	3.0	3 (Bal.)	7.2	14	15	14 kg (30 lbs.)
	480	3.0	3 (Bal.)	3.6	14	15	14 kg (30 lbs.)
	380–400–415	2.8–3.1–3.4	3 (Bal.)	4.3–4.5–4.7	14	15	14 kg (30 lbs.)
FR-4B	208	4.5	3 (Bal.)	12.5	12	20	14 kg (30 lbs.)
	240	4.5	3 (Bal.)	10.8	14	15	14 kg (30 lbs.)
	480	4.5	3 (Bal.)	5.4	14	15	14 kg (30 lbs.)
	380–400–415	3.8–4.1–4.5	3 (Bal.)	5.7–6–6.2	14	15	14 kg (30 lbs.)
FR-6B	208	6.8	3 (Bal.)	18.8	10	30	14 kg (30 lbs.)
	240	6.0	3 (Bal.)	14.4	12	20	14 kg (30 lbs.)
	380	6.0	3 (Bal.)	10.2	14	15	14 kg (30 lbs.)
	380–400–415	5.6–6.3–6.7	3 (Bal.)	8.6–9–9.4	14	15	14 kg (30 lbs.)
	480	6.0	3 (Bal.)	7.2	14	15	14 kg (30 lbs.)
FR-9B	208	9.0	3 (Bal.)	25	10	40	14 kg (30 lbs.)
	240	9.0	3 (Bal.)	21.7	10	30	14 kg (30 lbs.)
	380	9.0	3 (Bal.)	12.9	12	20	14 kg (30 lbs.)
	440	9.0	3 (Bal.)	11.8	14	15	14 kg (30 lbs.)
	480	9.0	3 (Bal.)	10.8	14	15	14 kg (30 lbs.)
	380–400–415	7.6–8.3–9.0	3 (Bal.)	11.5–11.9–12.5	12	20	14 kg (30 lbs.)

## Tableau des Caractéristiques électriques—Modèles FRC

Modèle	Tension	Kilowatts (kW)	Phase	Amps	Taille des fils AWG*†	Fusible ou disjoncteur*	Poids d'embarquement
FRC-I	208	3.0	1	14.4	12	20	19 kg (42 lbs.)
	220–230	2.5–2.8	1	11.5–12	14	15	19 kg (42 lbs.)
	240	3.0	1	12.5	12	20	19 kg (42 lbs.)
FRC-II	208	3.0	1	14.4	12	20	31 kg (69 lbs.)
	220–230	2.5–2.8	1	11.5–12	14	15	31 kg (69 lbs.)
	240	3.0	1	12.5	12	20	31 kg (69 lbs.)

Les zones ombrées contiennent des informations électriques pour les modèles internationaux uniquement.

\* La taille des fils se base sur des fils de type THHN pour une protection du circuit de dérivation avec un coefficient de déclassement de 0,91. Les disjoncteurs et sectionneurs porte-fusibles doivent être montés séparément et raccordés par un électricien. Les tailles sont basées sur le tableau 310-16 du NEC 2002. La taille du conduit est basée sur les dimensions des conducteurs plus le fil de terre en fonction du Tableau C1 de l'Annexe C.

† La taille des fils se base sur des fils THHN prévus pour 90°C.

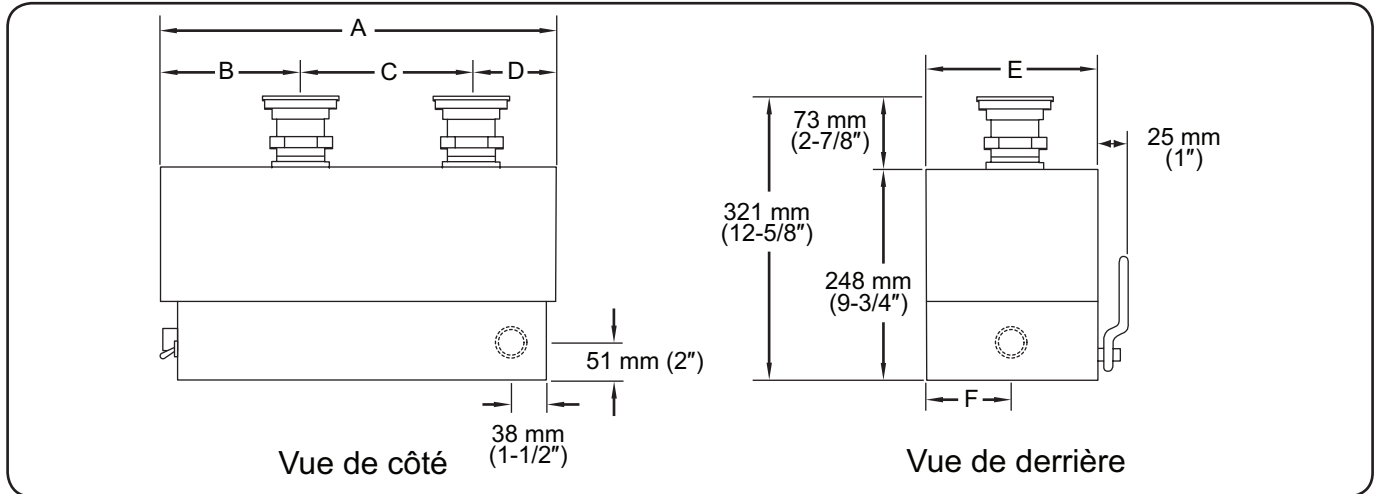
◆ Construction standard à triangle ouvert (Ampérage supérieur au triphasé équilibré)

NOTA: Le poids d'embarquement comprend l'emballage.



Dimensions—Modèles 3CS et FR

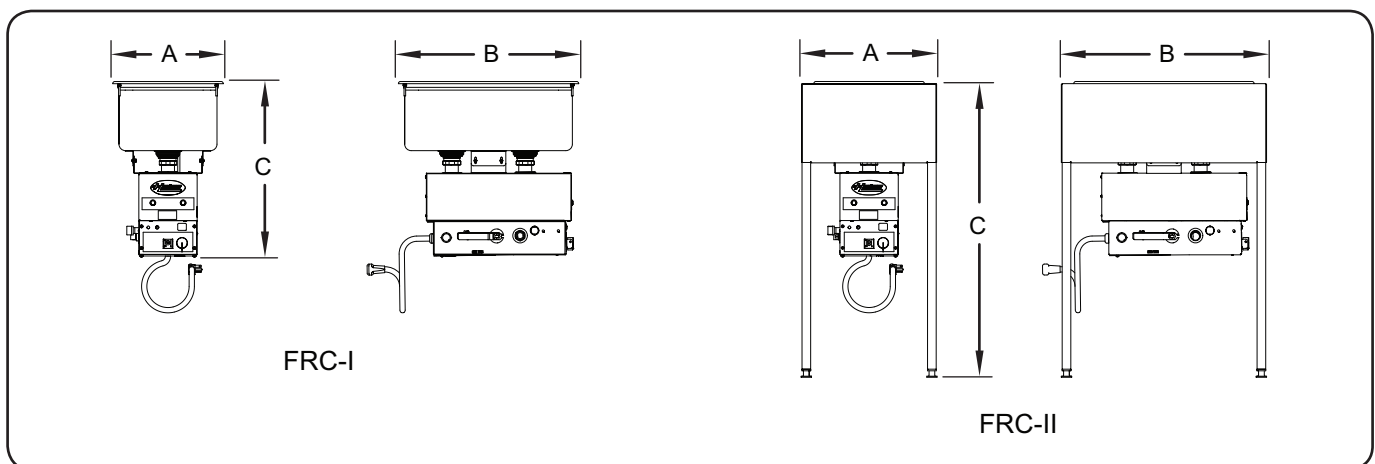
Modèle	A	B	C	D	E	F
3CS-X et FR-X	429 mm (16-7/8")	140 mm (5-1/2")	216 mm (8-1/2")	73 mm (2-7/8")	171 mm (6-3/4")	86 mm (3-3/8")
3CS-XB et FR-XB	435 mm (17-1/8")	117 mm (4-5/8")	216 mm (8-1/2")	102 mm (4")	203 mm (8")	102 mm (4")



Dimensions—Modèles 3CS et FR

Dimensions—Modèles FRC

Modèle	Largeur (A)	Profondeur (B)	Hauteur (C)
FRC-I	325 mm (12-3/4")	530 mm (20-7/8")	503 mm (19-7/8")
FRC-II	397 mm (15-5/8")	603 mm (23-3/4")	870 mm (34-1/4")



Dimensions—Modèles FRC

## Généralités

Les réchauffeurs d'eau Hatco sont livrés entièrement montés. Veillez à ne pas endommager l'appareil et les composants qu'il renferme lors du déballage du carton d'expédition.

### **⚠ AVERTISSEMENT**

#### DANGER DE DÉCHARGE ÉLECTRIQUE :

- Les appareils fournis sans cordon ni prise électrique nécessitent un branchement câblé au système électrique sur place. Le câblage doit être mis à la terre de manière appropriée. Son voltage, ses dimensions et sa configuration doivent également correspondre aux spécifications électriques de l'appareil. Contactez un électricien qualifié pour procéder au choix et à l'installation des branchements électriques adaptés.
- Les appareils fournis avec un cordon, une prise électrique et un réceptacle nécessitent un branchement du réceptacle au système électrique sur place. Le câblage doit être mis à la terre de manière appropriée. Son voltage, ses dimensions et sa configuration doivent également correspondre aux spécifications électriques de l'appareil. Contactez un électricien qualifié pour procéder au choix et à l'installation des branchements électriques adaptés.
- L'appareil doit être installé par des installateurs professionnels qualifiés. L'installation doit être conforme à toutes les normes locales en matière d'électricité et de plomberie. Une installation par un personnel non qualifié aura pour conséquence une annulation de la garantie de l'appareil et peut entraîner une décharge électrique ou une brûlure, ainsi que des dommages pour l'appareil et/ou ses alentours. Vérifiez les procédures et les normes à suivre auprès de vos inspecteurs locaux en matière de plomberie et d'électricité.
- L'appareil n'est pas à l'épreuve des intempéries. Placer l'appareil à l'intérieur à une température ambiante de 21°C (70°F) minimum.

**DANGER D'INCENDIE:** Installez l'appareil avec un minimum de 89 mm (3-1/2") d'espace entre le dessous de l'appareil et toutes les surfaces inflammables afin d'éviter toute combustion.

1. Retirer l'appareil de sa boîte.

*NOTA: Pour éviter un retard de service sous garantie, enregistrez la garantie en ligne. Pour des détails, voir la section INFORMATIONS IMPORTANTES POUR LE PROPRIÉTAIRE.*

2. Retirer le ruban et le film de protection de toutes les surfaces de l'appareil.

## Informations relatives aux dimensions

Hatco recommande de suivre les instructions ci-dessous pour garantir un bon fonctionnement et une bonne hygiène.

### Pour les modèles 3CS utilisés avec un réchauffeur de bac

- 2 000 W minimum par pied carré (2,2 W par cm<sup>2</sup>) du haut de la cuve.

### Pour les modèles FR utilisés avec un bain-marie ou une table à vapeur

- 750 W minimum par pied carré (0,8 W par cm<sup>2</sup>) du haut de la cuve.

### Pour les modèles FR utilisés avec une marmite de remise à température des aliments

- 2 000 W minimum par pied carré (2,2 W par cm<sup>2</sup>) du haut de la cuve.

*NOTA: Utilisez un réchauffeur pour un bain-marie de 1 829 mm (6') de long. Les appareils de plus de 1 829 mm (6') nécessitent deux réchauffeurs minimum.*

## Installation des modèles 3CS et FR

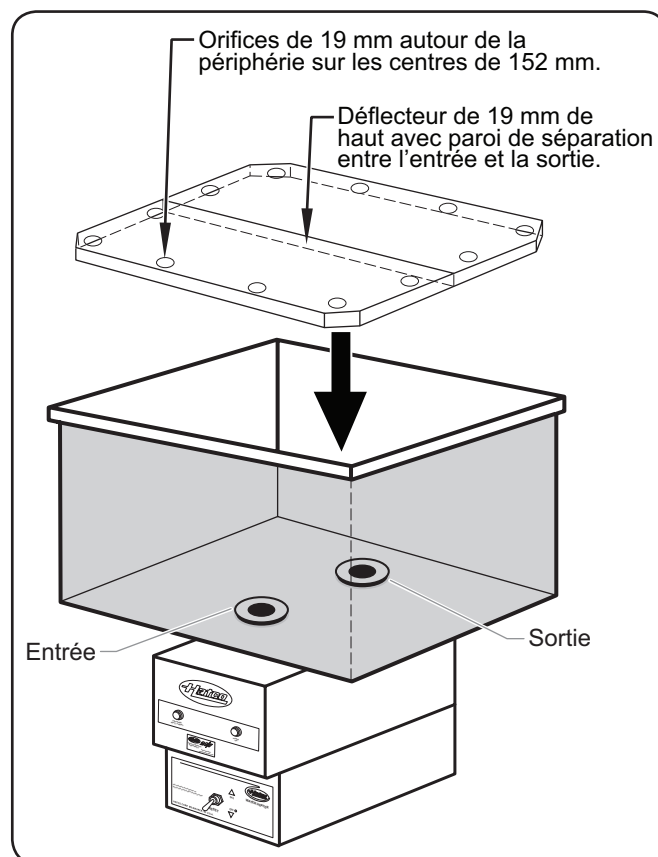
Un gabarit en papier est livré avec l'appareil et sert à repérer les orifices de la crépine du bac. Utilisez la procédure suivante pour une installation dans un bac ou un récipient.

### **⚠ ATTENTION**

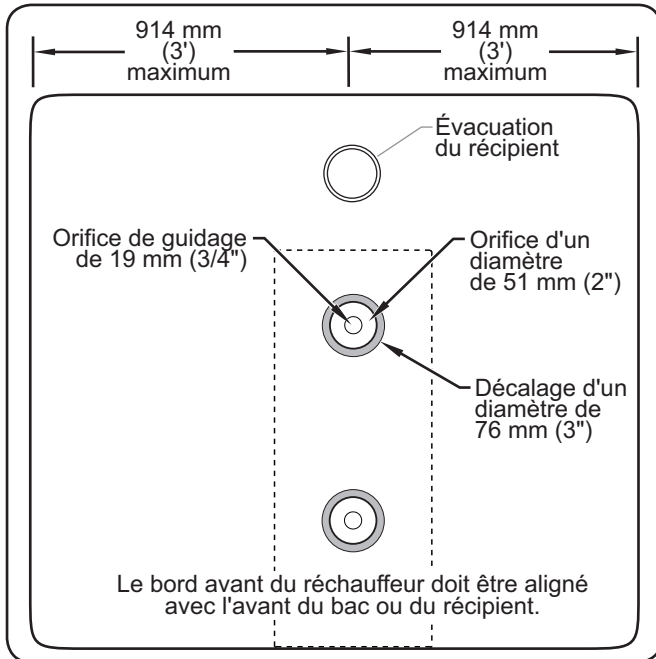
**DANGER DE BRÛLURE:** L'eau de vidange peut atteindre des températures supérieures à 93 °C (200 °F). Utilisez les matériaux de plomberie appropriés lors de l'installation du système de vidange.

N'utilisez pas de tuyau d'extension sur les raccords d'entrée et de sortie des réchauffeurs d'eau. Vous risqueriez d'obtenir de mauvais résultats et de travailler dans des conditions dangereuses.

*NOTA: Les modèles FR doivent être installés avec une chicane d'eau perforée (non fournie avec l'appareil) pour permettre une distribution adéquate de l'eau chaude. La chicane doit avoir une hauteur de 19 mm (3/4") avec une paroi de séparation entre l'entrée et la sortie. La chicane doit également comporter des orifices de 19 mm (3/4") en périphérie tous les 152 mm (6").*



Installation du déflecteur d'eau (Modèles français)



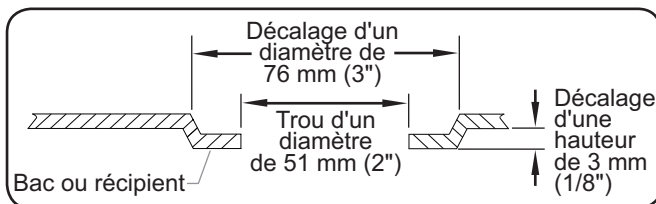
Vue supérieure du bac ou du récipient

NOTA: Les lignes pointillées sur l'image ci-dessus indiquent la position de l'appareil sous le bac ou le récipient.

1. Placez le gabarit au bas du bac ou du récipient.
  - Le gabarit doit se trouver exactement au-dessus de l'endroit où sera placé le réchauffeur d'eau sous le bac ou le récipient.
  - Assurez-vous que le bord avant du gabarit est aligné avec le bord avant du bac ou du récipient.
  - Les modèles FR ne doivent pas être placés à plus de 914 mm (3') de chaque côté lorsqu'ils sont installés sous le bac ou le récipient.
2. Effectuez un pointage et percez un trou de guidage de 19 mm (3/4") à chaque repère central du gabarit.

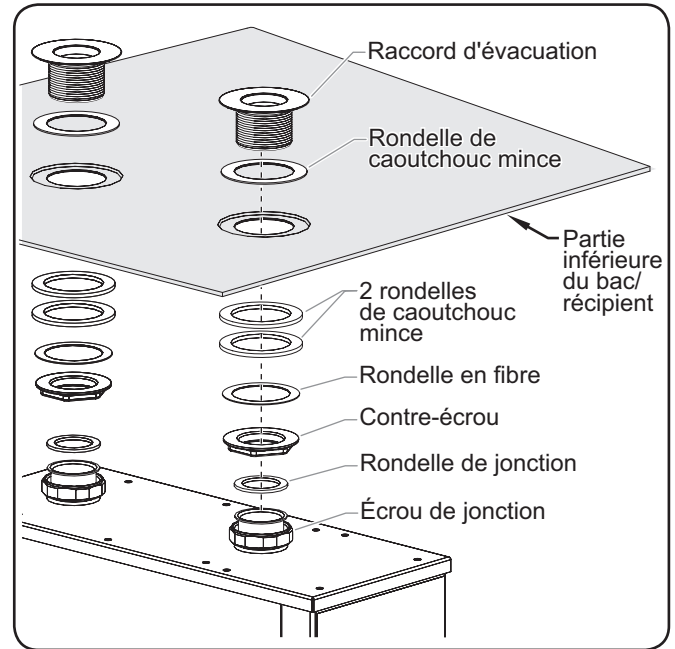
NOTA: Les trous de guidage permettent le perçage de plus grands trous avec un perforateur à trous prédécoupés.

3. Retirez le gabarit et percez un trou d'un diamètre de 51 mm (2") au niveau de chaque trou de guidage à l'aide d'un perforateur à trous prédécoupés.
4. Effectuez un décalage de 3 mm (1/8") autour de chaque trou d'un diamètre 51 mm (2"). Le décalage doit correspondre à un diamètre de 76 mm (3") centré autour du trou.



Vue latérale du trou et du décalage

5. Dévissez l'ensemble de raccord d'évacuation du tuyau soudé sur le réchauffeur.
6. Dévissez le contre-écrou de l'ensemble du raccord d'évacuation et faites coulisser toutes les rondelles à l'exception de la rondelle de caoutchouc mince.



Installation de l'ensemble de raccord d'évacuation

7. Maintenez la rondelle de caoutchouc fixée au raccord d'évacuation et faites glisser le raccord d'évacuation par l'orifice du bac par le haut.
8. Fixez l'ensemble de raccord d'évacuation au bac ou au récipient.
  - a. Sous le bac, faites glisser les 2 rondelles de caoutchouc épaisses, puis la rondelle de fibre sur le raccord d'évacuation.
  - b. Vissez le contre-écrou (côté plat vers le haut) sur le raccord d'évacuation.
9. Répétez les étapes 5 à 8 pour l'autre ensemble de raccord d'évacuation.
10. Fixez l'appareil sur le bac ou le récipient. Cette étape peut nécessiter deux personnes.
  - a. Placez l'appareil sous les 2 ensembles de raccord.

NOTA: Assurez-vous que les rondelles de jonction sont bien installées dans les écrous de jonction et qu'elles ne sont pas pincées.

- b. Vissez l'écrou de jonction sur l'ensemble de raccord d'évacuation fileté.

**AVIS**

**N'exercez pas une force excessive lors du serrage des raccord-uniions ou des écrous. Un serrage excessif ou une force excessive peut entraîner des fuites.**

11. Serrez fermement les écrous de jonction et les contre-écrous.
12. Vérifiez que la poignée du robinet de vidange est bien fermée (position verticale).
13. Remplissez le bac ou le récipient d'eau et vérifiez qu'il n'y a pas de fuite.

NOTA: Il est possible de raccorder un flexible ou un tuyau de 19 mm (3/4") à la vidange du carter et de l'acheminer vers une évacuation ouverte. La vidange du carter ne doit pas être raccordé en permanence au réseau sanitaire d'évacuation. Pour installer le tuyau de vidange de manière appropriée, consultez les réglementations de plomberie locales. Pour plus d'informations, reportez-vous à la section MAINTENANCE.

## Installation des modèles FRC

Le modèle FRC-I s'installe dans un comptoir. Suivez la procédure ci-après pour installer l'appareil dans le comptoir.

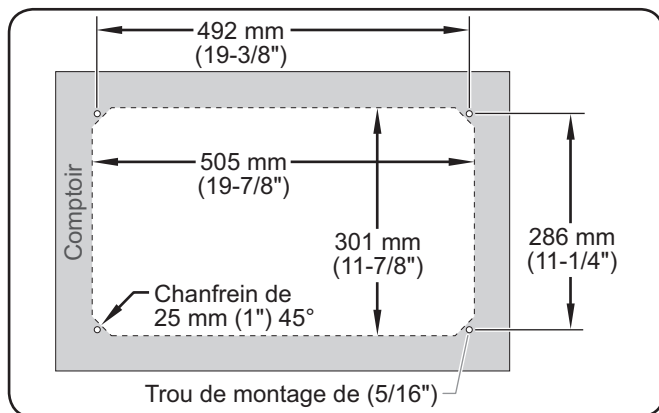
*NOTA: Les modèles FRC-II sont envoyés préassemblés sur un support.*

### ATTENTION

**Danger de brûlure: L'eau de vidange peut atteindre des températures supérieures à 93 °C (200 °F). Utilisez les matériaux de plomberie appropriés lors de l'installation du système de vidange.**

**N'utilisez pas de tuyau d'extension sur les raccords d'entrée et de sortie des réchauffeurs d'eau. Vous risqueriez d'obtenir de mauvais résultats et de travailler dans des conditions dangereuses.**

- Découpez l'ouverture dans le comptoir. Veuillez vous référer au schéma de découpe du comptoir de cette section pour plus d'informations.
  - Prenez les mesures et effectuez un repère de découpe sur le comptoir. (505 mm [19-7/8"]; x 301 mm [11-7/8"]).
    - Les coins requièrent un chanfrein de 25 mm (1") x 45° pour les trous de montage de 8 mm (5/16").
  - Effectuez une découpe du comptoir en vous aidant des repères.
- Percez des trous de montage de 8 mm (5/16") à chaque coin de chanfrein. Consultez le schéma de découpe du comptoir de cette section pour connaître les dimensions.



Vue supérieure de la découpe du comptoir

*NOTA: Les lignes pointillées du schéma de découpe du comptoir désignent la zone de découpe.*

- Appliquez un cordon d'agent d'étanchéité homologué par la NSF entre le comptoir et le rebord de fixation de l'appareil. Le produit d'étanchéité doit être prévu pour une utilisation à une température minimale de 121°C (250°F).
- Placez l'appareil dans l'ouverture du comptoir.
  - Alignez les goujons situés en bas du bac dans les trous de montage de 8 mm (5/16") à chaque coin de chanfrein.
  - Fixez-les à l'aide des écrous de blocage fournis.

*NOTA: Un dégagement minimum de 762 mm (30") doit être observé sous le comptoir pour loger le réservoir, le réchauffeur et l'ensemble du système de vidange.*

- Retirez l'excès de produit d'étanchéité.

## Informations électriques

Les réchauffeurs d'eau 3CS et FR Hatco peuvent fonctionner avec des systèmes d'alimentation standard. Consultez l'étiquette des caractéristiques techniques pour connaître l'alimentation électrique appropriée.

Tous les raccordements électriques internes ont été effectués en usine. Veuillez consulter le « Tableau de classification des tensions électriques » approprié pour plus d'informations sur les exigences de câblage et de tension.

### AVERTISSEMENT

**Mettez l'interrupteur sur « ARRÊT », débranchez le cordon d'alimentation/coupez le courant au disjoncteur, et laissez refroidir l'appareil avant d'effectuer toute opération de nettoyage, de réglage ou d'entretien.**

### AVIS

**Raccordez les réchauffeurs d'eau à la même alimentation électrique tel qu'indiqué sur l'étiquette des caractéristiques. Le raccordement de l'appareil à une alimentation électrique inappropriée annulera la garantie du produit et risque d'endommager l'appareil.**

### Branchement des câbles

Les conducteurs d'un disjoncteur ou d'un sectionneur porte-fusibles de dimension appropriée doivent être raccordés au réchauffeur conformément aux codes électriques locaux.

- Retirez les vis du couvercle inférieur et retirez le couvercle.
- Placez le bornier du réchauffeur à l'intérieur de l'appareil.

*NOTA: Les modèles 3CS et FR à 6 et 9 kW (triangle ouvert en triphasé) peuvent être convertis à un fonctionnement en monophasé. Consultez le schéma électrique fourni avec l'appareil ou contactez Hatco pour obtenir une assistance.*

- Faites passer les câbles d'alimentation provenant d'un disjoncteur ou sectionneur porte-fusibles de dimension appropriée à travers les entrées défonçables de l'appareil et raccordez-les au bornier.
  - Utilisez uniquement des fils en cuivre. Serrez les branchements correctement à un minimum de 4,5 N•m (40 po-lb).

*NOTA: Veuillez vous référer à « Dimensions » dans la section CARACTÉRISTIQUES TECHNIQUES pour connaître les emplacements des entrées défonçables.*

*NOTA: En raison des contraintes du transport, il est nécessaire de vérifier que tous les raccordements sont bien serrés avant de mettre le réchauffeur en fonctionnement.*

- Une patte de mise à la terre est fournie à proximité du bornier. Branchez un conducteur de mise à la terre sur cette patte.
- Remettez le couvercle inférieur et fixez-le à l'aide des vis que vous avez préalablement retirées.

### Branchements du cordon, de la prise et du réceptacle

Les réchauffeurs d'eau FR-3 et FR-4 peuvent être fournis avec un cordon électrique, une prise et un réceptacle. Les modèles FR-3 utilisent un réceptacle NEMA 6-20R et les modèles FR-4 un réceptacle NEMA 6-30R.

Tous les modèles FRC comportent des cordons.

## Généralités

Suivez les procédures ci-après pour faire fonctionner un réchauffeur d'eau.

### ⚠ AVERTISSEMENT

Lire tous les messages de sécurité de la section Consignes de sécurité importantes avant d'utiliser ce matériel.

### ⚠ ATTENTION

#### DANGER DE BRÛLURE :

- L'eau contenue dans le récipient peut atteindre des températures supérieures à 88°C (190°F). Utilisez une protection adaptée lorsque vous utilisez l'appareil.
- Les appareils sont conçus pour chauffer l'eau jusqu'à 88°C (190°F). NE réglez PAS la commande de la température sur une valeur supérieure à 88°C (190°F). Une eau dont la température est supérieure à 88°C (190°F) est très active et peut éclauser l'opérateur, occasionnant des brûlures ou des blessures.

N'ajoutez pas de nourriture froide pour régénération lors de la manipulation de nourriture chaude. La nourriture chaude ne sera pas maintenue à la bonne température de service.

### AVIS

Avant de brancher l'appareil ou de le faire fonctionner, assurez-vous qu'il contient au minimum 2 litres (0,5 gallons) d'eau. Un appareil qui fonctionne avec moins de 2 litres d'eau entrera en surchauffe.

#### Allumage

1. Assurez-vous que le disjoncteur de circuit/sectionneur porte-fusibles est allumé, ou bien si l'appareil est équipé d'un cordon d'alimentation et d'une prise, veillez à ce qu'il soit branché à un réceptacle de la bonne tension, taille et configuration. Consultez la section CARACTÉRISTIQUES pour obtenir plus de détails.
2. Assurez-vous que le bouchon de vidange est bien vissé sur le système de vidange de la chambre chauffée.
3. Fermez le carter de vidange en actionnant la poignée de vidange vers l'avant de l'appareil jusqu'à ce qu'elle s'arrête.
4. Remplissez le bac ou le récipient avec de l'eau chaude du robinet jusqu'au niveau normal de fonctionnement.

*NOTA: Les modèles FR doivent être installés avec une chicane d'eau perforée (non fournie avec l'appareil) pour permettre une distribution adéquate de l'eau chaude. La chicane doit avoir une hauteur de 19 mm (3/4") avec une paroi de séparation entre l'entrée et la sortie. La chicane doit également comporter des orifices de 19 mm (3/4") en périphérie tous les 152 mm (6").*

5. Placez l'interrupteur à bascule ON/OFF (marche/arrêt) (I/O) sur ON (marche).
  - Le témoin d'alimentation ON (marche) s'allume lorsque l'appareil est sous tension.
6. Sur les modèles FR, réglez la commande de la température de l'eau sur la température souhaitée.

7. Attendez que l'eau atteigne la température souhaitée.

- Modèles FR: Le témoin de l'EAU À TEMPÉRATURE s'allume lorsque l'eau a atteint la température de la commande.
- Modèles 3CS : Vous pouvez utiliser le témoin de l'EAU À TEMPÉRATURE en option ou un moniteur de température en option pour déterminer le moment où la température de désinfection a été atteinte.

#### Interrupteur de courant (ECO)

Tous les réchauffeurs d'eau Hatco sont équipés d'un interrupteur de courant (ECO) qui met l'appareil hors tension en cas de surchauffe.

Si l'interrupteur de courant s'est déclenché, ceci peut être dû à un faible niveau d'eau. Pour que l'appareil continue de fonctionner, il doit être réinitialisé.

Pour réinitialiser les modèles FR :

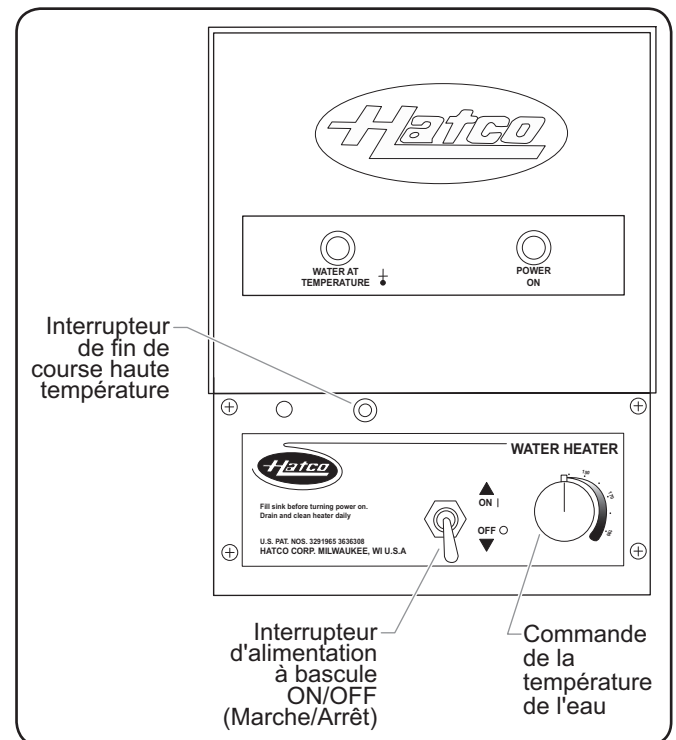
- Remplissez avec de l'eau jusqu'à un niveau approprié. Appuyez sur l'interrupteur de fin de course haute température situé à l'avant du réchauffeur.

Pour réinitialiser les modèles 3CS :

- Remplissez avec de l'eau jusqu'à un niveau approprié. Mettez l'interrupteur ON/OFF (Marche/Arrêt) en position OFF (Arrêt), puis en position ON (Marche).

*NOTA: L'interrupteur de courant (ECO) sur les modèles FR ne protège pas le réchauffeur lorsque les deux réservoirs sont vidangés. Le système de coupure en cas de faible niveau d'eau (LWCO) met les éléments chauffants hors tension lorsque l'eau est vidangée.*

*NOTA: L'interrupteur de courant (ECO) sur les modèles 3CS ne protège pas les éléments chauffants lorsque les deux réservoirs sont vidangés. L'allumage à vide de l'appareil endommage les éléments chauffants et n'est pas couvert par la garantie.*



Panneau de commande (modèle FR illustré)



## Généralités

Les réchauffeurs d'eau Hatco sont conçus pour offrir une durabilité et des performances maximales avec un minimum d'entretien.

### **⚠ AVERTISSEMENT**

#### DANGER DE DÉCHARGE ÉLECTRIQUE :

- Éteignez l'appareil, débranchez le cordon d'alimentation/coupez l'alimentation au niveau du coupe-circuit et laissez refroidir avant une maintenance ou un nettoyage.
- **NE PAS immerger l'appareil ni le saturer d'eau.** L'appareil n'est pas étanche à l'eau. Ne pas le faire fonctionner s'il a été immergé ou saturé d'eau.
- Ne pas nettoyer l'appareil lorsqu'il est sous tension ou chaud.
- Ne pas nettoyer à la vapeur ni utiliser trop d'eau sur l'appareil.

Cet appareil ne contient aucune pièce réparable par l'utilisateur. Si cet appareil doit être réparé, contacter un réparateur Hatco agréé ou le Service après-vente Hatco au 800-558-0607 ou 414-671-6350.

Use only Genuine Hatco Replacement Parts when service is required. Failure to use Genuine Hatco Replacement Parts may subject operators of the equipment to hazardous electrical voltage, resulting in electrical shock or burn. Genuine Hatco Replacement Parts are specified to operate safely in the environments in which they are used. Some aftermarket or generic replacement parts do not have the characteristics that will allow them to operate safely in Hatco equipment.

#### Programme de nettoyage recommandé

Un nettoyage complet et un rinçage doivent être effectués :

- Quotidiennement.
- Lorsque des résidus alimentaires s'accumulent dans le réservoir.
- Dans le cas d'un déversement non alimentaire.
- Lorsque vous devez ranger ou expédier l'appareil lors de températures extrêmement basses.

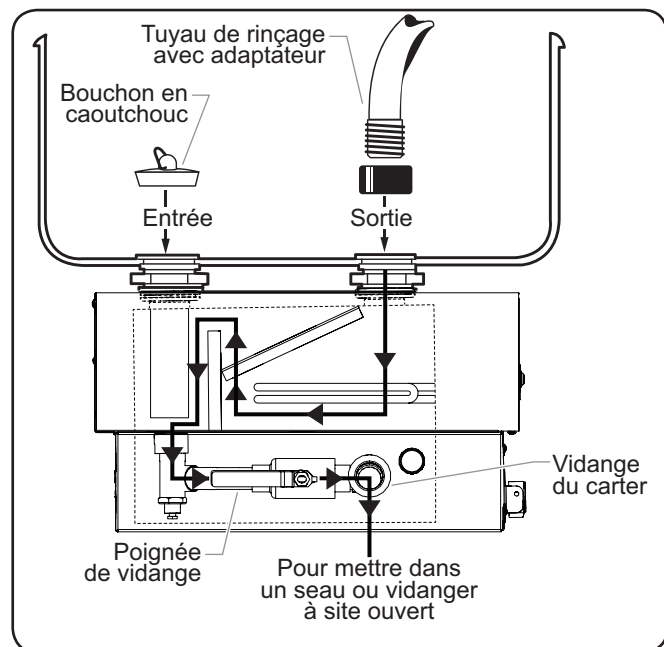
#### Conseils utiles

- Veillez à ce qu'aucun résidu ne réside au niveau de l'entrée et de la sortie.
- Maintenez en place la chicane d'eau perforée (non fournie) et assurez-vous qu'elle ne contient aucun résidu (appareils FR uniquement).
- Détartrez l'appareil à l'aide d'une solution de détartrage non corrosive.

## Nettoyage Quotidien

Suivez la procédure ci-après pour nettoyer l'appareil. L'appareil doit être nettoyé quotidiennement. Les dépôts de chaux et de minéraux doivent être retirés régulièrement. Il est recommandé d'utiliser le kit de tuyau de rinçage pour nettoyer correctement l'appareil.

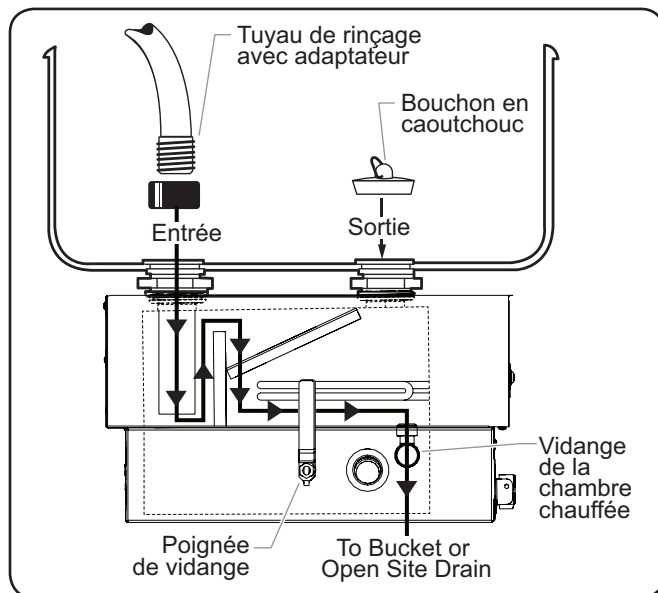
1. Mettez l'interrupteur à bascule ON/OFF (Marche/Arrêt) en position OFF (Arrêt) et attendez que l'appareil et l'eau refroidissent.
2. Raccordez une extrémité du tuyau de vidange du carter de vidange à l'autre extrémité d'un seau ou d'une évacuation ouverte conformément aux normes locales en matière de plomberie.
3. Placez un bouchon en caoutchouc sur la crépine d'entrée.
4. Ouvrez le carter de vidange en actionnant la poignée vers l'arrière jusqu'à ce qu'elle se trouve en position horizontale. De l'eau va s'écouler du tuyau de rinçage.
5. Reliez le tuyau de rinçage équipé d'un adaptateur à une arrivée d'eau froide et placez l'extrémité de l'adaptateur sur la crépine de sortie. Rincez avec de l'eau jusqu'à ce que l'eau d'évacuation du carter de vidange soit claire.



Vidange du réservoir

6. Fermez le carter de vidange en actionnant la poignée de vidange vers l'avant de l'appareil jusqu'à ce qu'elle s'arrête.
7. Placez le bouchon en caoutchouc sur la crépine de sortie et le tuyau de rinçage sur l'entrée.
8. Placez un seau sous l'écoulement de la chambre chauffée et retirez le bouchon de vidange. Rincez l'appareil avec de l'eau jusqu'à ce que l'eau de vidange du compartiment chauffant soit claire.
9. Coupez l'arrivée d'eau et laissez l'appareil se vidanger.
10. Repositionnez le bouchon de vidange et serrez-le bien pour éviter les fuites.
11. Retirez le bouchon de caoutchouc et le tuyau de rinçage.





Vidange du réservoir de la chambre chauffée

### Retrait des dépôts de chaux et de minéraux

La fréquence de détartrage de l'appareil dépend de la quantité de chaux et de minéraux contenue dans l'eau et de la fréquence d'utilisation de l'appareil.

Les appareils utilisés avec de l'eau possédant une forte concentration de chaux et de minéraux peuvent nécessiter un détartrage quotidien.

Suivez la procédure ci-après pour retirer les dépôts de chaux et de minéraux.

1. Mettez l'interrupteur à bascule ON/OFF (Marche/Arrêt) en position OFF (Arrêt) et attendez que l'appareil et l'eau refroidissent.
2. Raccordez une extrémité du tuyau de vidange du carter de vidange à l'autre extrémité d'un seau ou d'une évacuation ouverte conformément aux normes locales en matière de plomberie.
3. Retirez le bouchon de vidange sur le côté de l'appareil et vidangez toute l'eau du compartiment chauffé.
4. Repositionnez le bouchon de vidange sur le côté de l'appareil.
5. Fermez le carter de vidange en actionnant la poignée de vidange vers l'avant de l'appareil jusqu'à ce qu'elle s'arrête.
6. Remplissez le réservoir de chauffage avec un mélange de 75 % d'eau et de 25 % de vinaigre blanc au moyen des crépines du bac. N'utilisez pas de vinaigre parfumé. Maintenez ce mélange dans le réservoir pendant la période prévue.

**NOTA:** La fréquence de détartrage de l'appareil dépend de la quantité de chaux et de minéraux contenue dans l'eau et de la fréquence d'utilisation de l'appareil. Les appareils utilisés avec de l'eau possédant une forte concentration de chaux et de minéraux peuvent nécessiter un détartrage quotidien.

**NOTA:** Le délai requis varie en fonction de la solution utilisée et de la quantité de dépôts dans le réservoir.

**NOTA:** Les dommages du produit causés par une accumulation de calcaire ou de sédiments ne sont pas couverts par la garantie.

**NOTA:** Le détartrant utilisé doit être une solution sûre, non toxique et non corrosive. Suivez les instructions de détartrage.

7. Une fois le nettoyage terminé, vidangez toute la solution répandue de l'appareil via le carter de vidange et la vidange de la chambre chauffée.
8. Rincez soigneusement le réchauffeur par les ouvertures avant et arrière avec de l'eau froide pendant plusieurs minutes jusqu'à ce que l'eau soit claire.
9. Repositionnez le bouchon de vidange et fermez le carter de vidange.
10. Si, au cours de l'inspection visuelle, le réservoir n'est pas parfaitement nettoyé, répétez les étapes 6 à 9.

### Vidange du réchauffeur pour la protection de service

Suivez la procédure ci-après lorsque vous mettez l'appareil hors tension pendant de longues périodes.

1. Placez l'interrupteur à bascule ON/OFF (Marche/Arrêt) sur OFF (Arrêt).
2. Effectuez la procédure de « Nettoyage » complète décrite dans cette section.
3. Mettez le réchauffeur hors tension.
4. Assurez-vous que l'eau a bien été vidangée de l'appareil ainsi que le bac et le récipient.

**NOTA:** La chambre de l'élément chauffé peut contenir de 2-1/2 à 4-1/2 quarts d'eau selon le modèle.

### Réinitialisation de l'interrupteur de courant (ECO)

Les modèles FR sont équipés d'un interrupteur de fin de course haute température réinitialisable manuellement qui empêche l'eau d'atteindre une température trop élevée.

Si la température de l'eau à l'intérieur de l'appareil est trop élevée, l'interrupteur de fin de course haute température va mettre l'appareil hors tension.

Pour réinitialiser l'interrupteur de courant après qu'il se soit déclenché, suivez la procédure ci-après.

1. Placez l'interrupteur à bascule ON/OFF (Marche/Arrêt) sur OFF (Arrêt).
2. Appuyez sur l'interrupteur de fin de course haute température jusqu'à ce que vous entendiez un clic. L'interrupteur correspond à un petit bouton rouge situé à l'avant de l'appareil.
  - L'interrupteur de fin de course haute température est désormais réinitialisé.

**NOTE:** Les modèles 3CS ne comportent pas d'interrupteur de fin de course haute température manuellement réinitialisable. Si l'appareil se met hors tension car la température de l'eau est trop élevée, mettez l'appareil hors tension et laissez-le refroidir.

**NOTE:** Si l'interrupteur de fin de course haute température continue de se déclencher, contactez votre agent de maintenance agréé.

## ⚠ AVERTISSEMENT

La réparation de cet appareil doit être confiée exclusivement à du personnel qualifié. Les réparations par des personnes non qualifiées peuvent provoquer des décharges électriques et des brûlures.

## ⚠ AVERTISSEMENT

**DANGER DE DÉCHARGE ÉLECTRIQUE:** Éteignez l'appareil, débranchez le cordon d'alimentation/coupez l'alimentation au niveau du coupe-circuit et laissez refroidir avant une maintenance ou un nettoyage.

Symptôme	Cause Probable	Solution
Température de l'eau trop élevée.	La commande de la température de l'eau (modèle FR uniquement) est réglée à un niveau trop élevé.	Réglez la commande de la température de l'eau (modèle FR uniquement) sur la température souhaitée.
Température de l'eau trop basse.	Les réchauffeurs d'eau mettent environ 30 minutes à atteindre une température sûre de désinfection.	Patiencez 30 minutes afin d'atteindre une température de fonctionnement convenable.
	La commande de la température de l'eau (modèle FR uniquement) est réglée à un niveau trop bas.	Réglez la commande de la température de l'eau (modèle FR) sur la température souhaitée.
Les éléments de chauffage sont grillés.	Le bac ou le récipient est sec ou a un faible niveau d'eau.	Remplissez le bac ou le récipient avec de l'eau jusqu'au niveau normal de fonctionnement.
	L'accumulation de dépôts dans le réchauffeur empêche l'eau de circuler.	Reportez-vous à la procédure de « Nettoyage » complet de la section MAINTENANCE.
Le bac ou le récipient fuit.	Les raccords sont trop lâches ou trop serrés.	Ajustez les raccords qui peuvent occasionner la fuite de l'appareil. Repositionnez le joint le cas échéant.
L'interrupteur à bascule ON/OFF (Marche/Arrêt) est sur ON (Marche) mais l'appareil ne chauffe pas l'eau.	Le système de coupure en cas de faible niveau d'eau s'est déclenché.	L'appareil s'est arrêté en raison d'un faible niveau d'eau ou d'une surchauffe. Remplissez le réchauffeur avec un niveau d'eau approprié et mettez l'interrupteur à bascule ON/OFF (Marche/Arrêt) sur OFF (Arrêt), puis sur ON (Marche).
	Les fusibles ont peut-être fondu, le disjoncteur de circuit s'est déclenché ou le cordon d'alimentation est peut-être débranché.	Vérifiez que les fusibles sont correctement dimensionnés et remplacez les fusibles, vérifiez/réenclenchez le disjoncteur de circuit et/ou vérifiez/remplacez le cordon d'alimentation.

### Vous avez des questions en ce qui concerne les pannes ?

Si le problème persiste, veuillez contacter l'agence d'entretien agréée Hatco la plus proche ou Hatco pour obtenir une assistance. Pour trouver l'agence d'entretien la plus proche, rendez-vous sur le site Internet de Hatco ([www.hatcocorp.com](http://www.hatcocorp.com)) et cliquez sur Trouver un agent d'entretien, ou contactez l'équipe d'entretien et de pièces détachées de Hatco :

Numéro

De téléphone: 800-558-0607 ou 414-671-6350

Courriel: [support@hatcocorp.com](mailto:support@hatcocorp.com)

## OPTIONS ET ACCESSOIRES

### Moniteur de température

Un moniteur de température en option est disponible pour les modèles 3CS. Le moniteur de température affiche la température actuelle de l'eau.

### Témoin de température

Un témoin de température en option est disponible pour les modèles 3CS. Le témoin de température s'allume lorsque la température de l'eau atteint une température sûre de désinfection.

### Système de coupure en cas de faible niveau d'eau

Une fonction de coupure en cas de faible niveau d'eau en option est disponible sur les modèles FR. Cette fonction empêche l'élément de griller lorsque le niveau d'eau est insuffisant.

### Kit du tuyau de rinçage

Le kit du tuyau de rinçage est disponible pour les modèles 3CS et FR et sert à rincer l'appareil pour le maintenir à une performance optimale. Ce kit comprend une butée de vidange et un tuyau avec adaptateur.

### Option sécurité

L'option sécurité est une option installée en usine sur les modèles 3CS et FR uniquement. L'option sécurité comprend des vis Torx® et un couvercle de commande.

### Cordon et prise avec réceptacle

Un cordon et une prise avec le réceptacle correspondant sont disponibles en option sur les modèles FR-3 et FR-4. Pour plus d'informations, reportez-vous à « Configurations de la prise » de la section CARACTÉRISTIQUES.

NOTA: Les pièces en option ne sont pas modifiables.

## 1. GARANTIE DU PRODUIT

Hatco garantit que les produits qu'il fabrique (les « Produits ») sont exempts de défauts de matériel et de fabrication, dans des conditions normales d'utilisation et de maintenance, pour une période d'un (1) an à partir de la date d'achat à condition que l'appareil soit installé et entretenu conformément aux instructions écrites de Hatco ou 18 mois après la date de l'expédition par Hatco. L'acheteur doit prouver la date d'achat du Produit par l'enregistrement de ce dernier auprès de Hatco ou par d'autres moyens satisfaisants pour Hatco, à sa seule discrétion.

Hatco garantit que les composants du Produit suivants sont exempts de défauts de matériel et de fabrication à partir de la date d'achat (sous réserve des conditions précédentes) pour la ou les périodes de temps et en fonction des conditions listées ci-dessous :

- a) **Garantie d'un (1) an pour les pièces et la main-d'œuvre PLUS un (1) an supplémentaire pour les pièces uniquement :**  
 Éléments du grille-pain à convoyeur (enveloppe métallique)  
 Éléments des tiroirs chauffants (enveloppe métallique)  
 Tiroirs, roues et glissières des tiroirs chauffants  
 Éléments des rampes chauffantes (enveloppe métallique)  
 Éléments des vitrines chauffantes  
 (enveloppe métallique, air chauffant)  
 Éléments des armoires de stockage  
 (enveloppe métallique, air chauffant)  
 Éléments des compartiments chauffants —  
 série HW et HWB (enveloppe métallique)
- b) **Garantie de deux (2) ans pour les pièces et la main-d'œuvre :**  
 Gammes à induction
- c) **Garantie d'un (1) an pour les pièces et la main-d'œuvre PLUS quatre (4) ans pour les pièces uniquement :**  
 Cuves 3CS et FR
- d) **Garantie d'un (1) an pour les pièces et la main-d'œuvre PLUS neuf (9) ans pour les pièces uniquement :**  
 Cuves des appareils de chauffage d'appoint électriques  
 Cuves des appareils de chauffage d'appoint à gaz
- e) **Garantie de quatre-vingt-dix (90) jours pour les pièces uniquement :**  
 Pièces de rechange

LES GARANTIES PRÉCÉDENTES SONT EXCLUSIVES ET REMPLACENT TOUTES AUTRES GARANTIES, EXPRESSES OU IMPLICITES, COMPRENANT, MAIS NE SE LIMITANT PAS, À TOUTES GARANTIES IMPLICITES DE QUALITÉ MARCHANDE OU DE FINALITÉ PARTICULIÈRE OU TOUS BREVETS OU TOUTES AUTRES ATTEINTES AUX DROITS DE LA PROPRIÉTÉ INTELLECTUELLE. Sans restreindre la portée générale des énoncés précédents, CES GARANTIES NE COUVRENT PAS LES ÉLÉMENTS SUIVANTS : ampoules d'éclairage à incandescence enduites, lumières fluorescentes, ampoules de lampes chauffantes, ampoules d'éclairage à halogène enduites, ampoules de lampes chauffantes au xénon, tubes d'éclairage DEL, composants en verre et fusibles ; défaut de produit dans la cuve d'un appareil de chauffage d'appoint, dans un échangeur de chaleur à tubes à ailettes ou tout autre équipement de chauffage d'eau causé par la calcification, l'accumulation de sédiments, la réaction d'un produit chimique ou le gel ; ou une mauvaise utilisation, une manipulation ou une mauvaise application, une installation inappropriée du Produit ou l'utilisation d'une tension inappropriée.

## 2. LIMITES DES RECOURS ET DES DOMMAGES

La responsabilité de Hatco et la seule voie de recours de l'Acheteur prévues par les présentes seront limitées exclusivement, au gré de Hatco, à la réparation ou au remplacement à l'aide de pièces ou de Produits nouveaux ou remis à neuf par Hatco ou un centre de réparation agréé par Hatco (sauf si l'Acheteur se situe hors des États-Unis, du Canada, du Royaume-Uni ou de l'Australie, auquel cas la responsabilité de Hatco et la seule voie de recours de l'Acheteur seront limitées exclusivement au remplacement des pièces concernées par la garantie) à l'égard de toute revendication effectuée dans les délais de garantie applicables mentionnés ci-dessus. Hatco se réserve le droit d'accepter ou de rejeter toute réclamation en partie ou dans son intégralité. Dans le cadre de cette Garantie limitée, « remis à neuf » signifie une pièce ou un Produit dont les caractéristiques techniques d'origine ont été restaurées par Hatco ou un centre de réparation agréé par Hatco. Hatco n'acceptera aucun retour de Produits sans qu'il n'ait auparavant donné son accord écrit, et tous ces retours approuvés doivent être effectués aux seuls frais de l'Acheteur. HATCO NE SERA PAS TENU RESPONSABLE, DANS AUCUNE CIRCONSTANCE, DES DOMMAGES CONSÉCUTIFS OU INDIRECTS, COMPRENANT, MAIS NE SE LIMITANT PAS, AUX COÛTS DE MAIN-D'ŒUVRE OU PERTES DE PROFITS DUS À UNE UTILISATION OU À UNE IMPOSSIBILITÉ D'UTILISER LES PRODUITS OU DUS AU FAIT QUE LES PRODUITS ONT ÉTÉ INTÉGRÉS DANS OU QU'ILS SONT DEVENUS UN COMPOSANT DE TOUT AUTRE PRODUIT OU BIEN.

# AUTHORIZED PARTS DISTRIBUTORS • AUTORISÉS DISTRIBUTEURS DE PIÈCES

## ALABAMA

Jones McLeod Appl. Svc.  
Birmingham 205-251-0159

## ARIZONA

Service Solutions Group  
Phoenix 602-234-2443

Byassee Equipment Co.  
Phoenix 602-252-0402

## CALIFORNIA

Industrial Electric  
Commercial Parts & Service, Inc.  
Huntington Beach 714-379-7100

Chapman Appl. Service  
San Diego 619-298-7106

P & D Appliance  
Commercial Parts & Service, Inc.  
S. San Francisco 650-635-1900

## COLORADO

Hawkins Commercial Appliance  
Englewood 303-781-5548

## FLORIDA

Whaley Foodservice Repair  
Jacksonville 904-725-7800

Whaley Foodservice Repair  
Orlando 407-757-0851

B.G.S.I.  
Pompano Beach 954-971-0456

Comm. Appliance Service  
Tampa 813-663-0313

## GEORGIA

TWC Services  
Mableton 770-438-9797

Heritage Service Group  
Norcross 866-388-9837

Southeastern Rest. Svc.  
Norcross 770-446-6177

## HAWAII

Burney's Comm. Service, Inc.  
Honolulu 808-848-1466

Food Equip Parts & Service  
Honolulu 808-847-4871

## ILLINOIS

Parts Town  
Lombard 708-865-7278

Eichenauer Elec. Service  
Decatur 217-429-4229

Midwest Elec. Appl. Service  
Elmhurst 630-279-8000

Cone's Repair Service  
Moline 309-797-5323

## INDIANA

GCS Service  
Indianapolis 800-727-8710

## IOWA

Goodwin Tucker Group  
Des Moines 515-262-9308

## KENTUCKY

Service Solutions Group  
Lexington 859-254-8854

Service Solutions Group  
Louisville 502-451-5411

## LOUISIANA

Chandlers Parts & Service  
Baton Rouge 225-272-6620

## MARYLAND

Electric Motor Service  
Baltimore 410-467-8080

GCS Service  
Silver Spring 301-585-7550

## MASSACHUSETTS

Ace Service Co., Inc.  
Needham 781-449-4220

## MICHIGAN

Bildons Appliance Service  
Detroit 248-478-3320

Commercial Kitchen Service  
Bay City 989-893-4561

Midwest Food Equip. Service  
Grandville 616-261-2000

## MINNESOTA

GCS Service  
Minnetonka 800-822-2303  
x20365

## MISSOURI

General Parts  
Kansas City 816-421-5400

Commercial Kitchen Services  
St. Louis 314-890-0700

Kaemmerlen Parts & Service  
St. Louis 314-535-2222

## NEBRASKA

Anderson Electric  
Omaha 402-341-1414

## NEVADA

Burney's Commercial  
Las Vegas 702-736-0006

Hi. Tech Commercial Service  
N. Las Vegas 702-649-4616

## NEW JERSEY

Jay Hill Repair  
Fairfield 973-575-9145

Service Plus  
Flanders 973-691-6300

## NEW YORK

Alpro Service Co.  
Maspeth 718-386-2515

Appliance Installation  
Buffalo 716-884-7425

Duffy's Equipment Services, Inc.  
Buffalo 800-836-1014

3Wire Northern  
Plattsburgh 800-634-5005

Duffy's Equipment Services, Inc.  
Sauquoit 800-836-1014

J.B. Brady, Inc.  
Syracuse 315-422-9271

## NORTH CAROLINA

Authorized Appliance  
Charlotte 704-377-4501

## OHIO

Akron/Canton Comm. Svc. Inc.  
Akron 330-753-6634

Service Solutions Group  
Cincinnati 513-772-6600

Commercial Parts and Service  
Columbus 614-221-0057

Electrical Appl. Repair Service  
Brooklyn Heights 216-459-8700

E. A. Wichman Co.  
Toledo 419-385-9121

## OKLAHOMA

Hagar Rest. Service, Inc.  
Oklahoma City 405-235-2184

Krueger, Inc.  
Oklahoma City 405-528-8883

## OREGON

Ron's Service, Inc.  
Portland 503-624-0890

## PENNSYLVANIA

Elmer Schultz Services  
Philadelphia 215-627-5401

FAST Comm. Appl. Service  
Philadelphia 215-288-4800

Appliance Installation & Service  
Pittsburgh 412-809-0244

K & D Service Co.  
Harrisburg 717-236-9039

Electric Repair Co.  
Reading 610-376-5444

## RHODE ISLAND

Marshall Electric Co.  
Providence 401-331-1163

## SOUTH CAROLINA

Whaley Foodservice Repair  
Lexington 803-996-9900

## TENNESSEE

Camp Electric  
Memphis 901-527-7543

## TEXAS

GCS Service  
Fort Worth 800-433-1804

Armstrong Repair Service  
Houston 713-666-7100

Cooking Equipment Specialist  
Mesquite 972-686-6666

Commercial Kitchen Repair Co.  
San Antonio 210-735-2811

## UTAH

La Monica's Rest. Equip. Service  
Murray 801-263-3221

## VIRGINIA

Daubers  
Norfolk 757-855-4097

Daubers  
Springfield 703-866-3600

## WASHINGTON

3Wire Restaurant Appliance  
Seattle 800-207-3146

## WISCONSIN

A.S.C., Inc.  
Madison 608-246-3160

A.S.C., Inc.  
Milwaukee 414-543-6460

## CANADA

### ALBERTA

Key Food Equipment Service  
Edmonton 780-438-1690

### BRITISH COLUMBIA

Key Food Equipment Service  
Vancouver 604-433-4484

Key Food Equipment Service  
Victoria 250-920-4888

### MANITOBA

Air Rite, Inc.  
Winnipeg 204-895-2300

### NEW BRUNSWICK

EMR Services, Ltd.  
Moncton 506-855-4228

### ONTARIO

R.G. Henderson Ltd.  
Toronto 416-422-5580

Choquette - CKS, Inc.  
Ottawa 613-739-8458

### QUÉBEC

Choquette - CKS, Inc.  
Montreal 514-722-2000

Choquette - CKS, Inc.  
Québec City 418-681-3944

## UNITED KINGDOM

Marren Group  
Northants +44(0)1933 665313

**HATCO CORPORATION**  
P.O. Box 340500  
Milwaukee, WI 53234-0500 U.S.A.  
800-558-0607 414-671-6350  
support@hatcocorp.com  
www.hatcocorp.com

**Register your unit online!**

See IMPORTANT OWNER INFORMATION  
section for details.

**Enregistrez votre appareil en ligne !**

Lisez la section INFORMATIONS IMPORTANTES POUR  
LE PROPRIÉTAIRE pour plus d'informations.