



**IMPORTANT NOTE:**

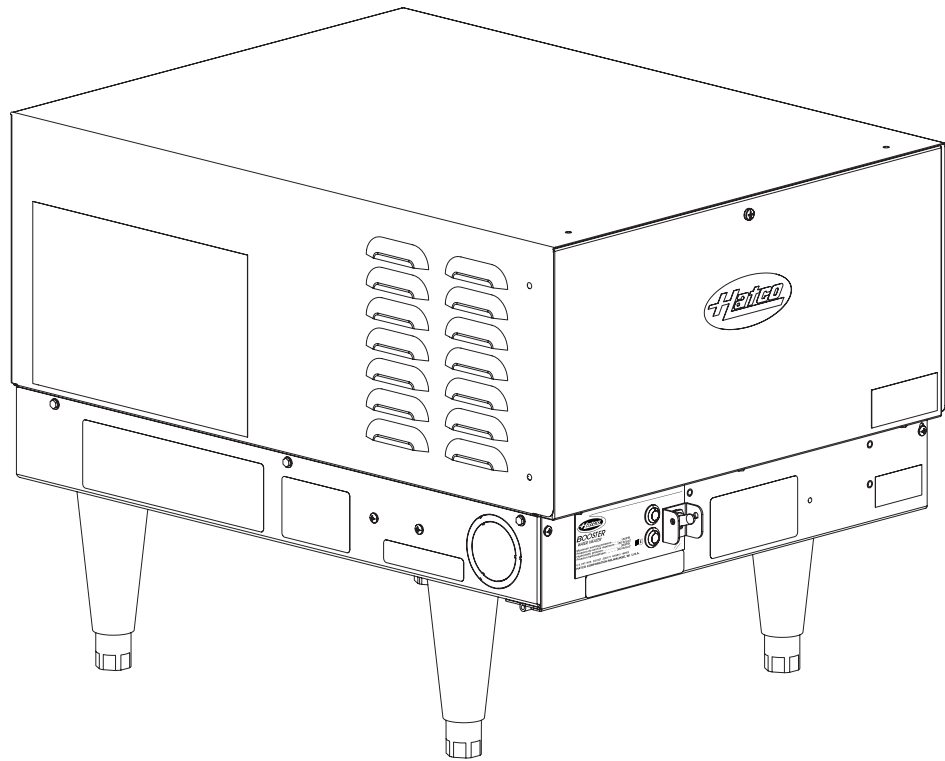
Locate the Specification Label on unit to determine exact Model Name and electrical specifications. This information is needed to identify the correct replacement parts. See exploded view illustration(s) for Specification Label location.



Use of replacement parts other than those supplied by Hatco Corporation may result in damage to unit or injury to personnel and will void all warranties.

# Compact Booster Electric Water Heaters

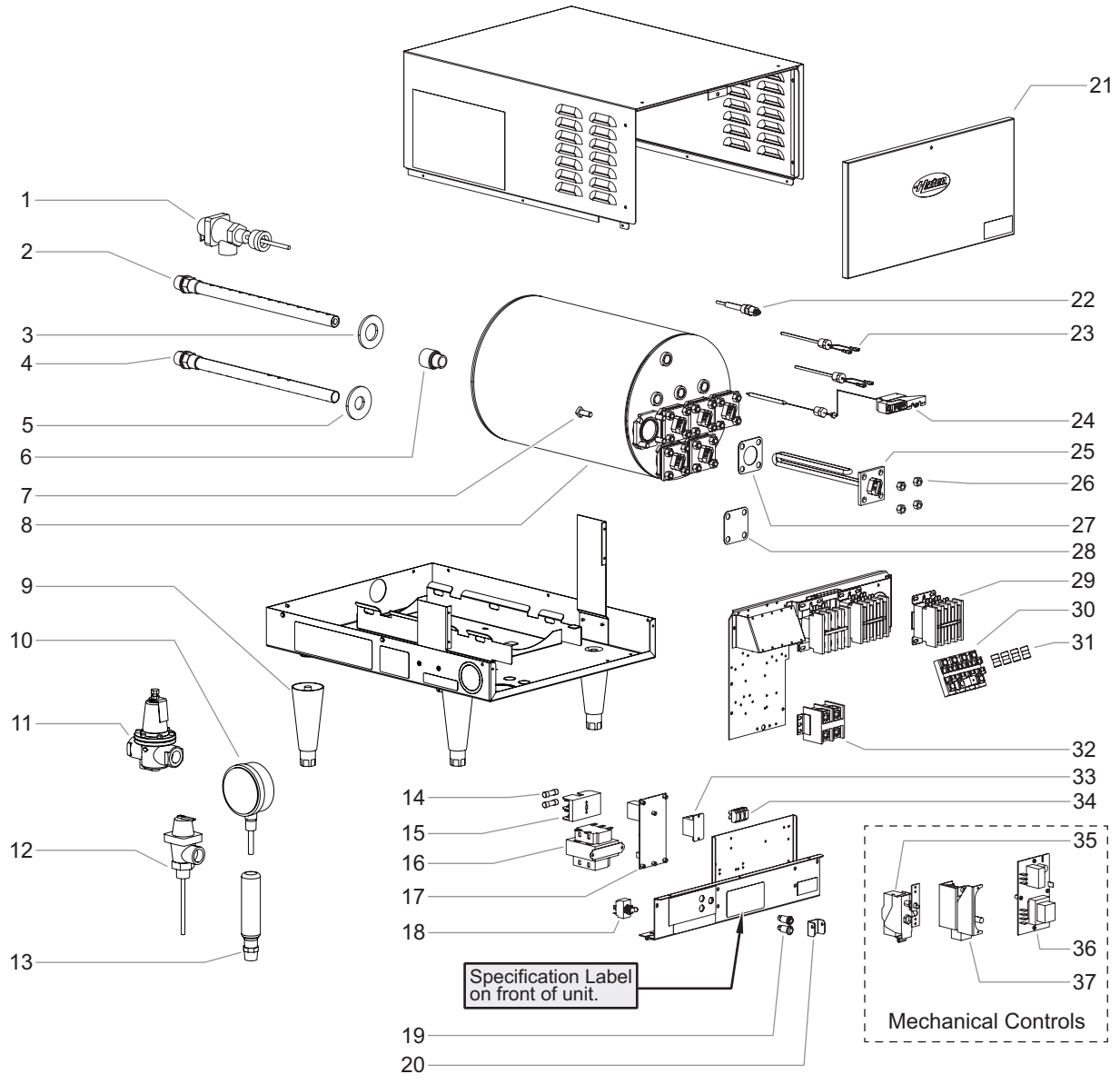
## C Series



# Replacement Parts List

# Hatco Compact Electric Booster Heater

## C Series



## Main Assembly

Item	Description	Part No.	Qty.
1	Pressure Relief Valve	03.02.022.00	1
2	Outlet Pipe		
	Small Compact (C-4 to C-18)	03.05.057.00	1
	Large Compact (C-24 to C-58)		
	Castone Tank	03.30.009.00	1
	Stainless Steel Tank	03.05.057.00	1
3	Ring Seal, Relief Valve	05.06.017.00	1
4	Inlet Tube		
	Small Compact (C-4 to C-18)		
	Castone Tank	03.30.014.00	1
	Stainless Steel Tank	03.05.057.00	1
	Large Compact (C-24 to C-58)		
	Castone Tank	03.30.015.00	1
	Stainless Steel Tank	03.05.057.00	1
5	Ring Seal, Inlet/Outlet Pipe	05.06.006.00	2
6	3/4" Extension	03.40.019.00	1
7	Bolt, Element Mounting	05.04.022.00	4-24
8	Tank		
	Small Compact (C-4 to C-18)		
	Castone Tank, 2 Element	R01.02.002.00	1
	Castone Tank, 2 Element (with interlock)	01.02.043.00	1
	Castone Tank, 3 Element	R01.02.003.00	1
	Castone Tank, 3 Element (with interlock)	01.02.045.00	1
	Stainless Steel Tank, 2 Element	R01.02.055.00	1
	Stainless Steel Tank, 2 Element (with interlock)	01.02.061.00	1
	Stainless Steel Tank, 3 Element	R01.02.056.00	1
	Stainless Steel Tank, 3 Element (with interlock)	01.02.062.00	1
	Large Compact (C-24 to C-58)		
	Castone Tank	R01.02.031.00	1
	Castone Tank (with interlock)	01.02.047.00	1
	Stainless Steel Tank	R01.02.063.00	1
	Stainless Steel Tank (with interlock)	01.02.064.00	1
9	Legs		
	Plastic	05.30.069.00	4
	Stainless Steel	05.30.070.00	4
	Deck Mount	05.30.073.00	4
10	Temperature/Pressure Gauge	03.01.003.00	1
11	Pressure Reducing Valve		
	Iron	03.02.004.00	1
	Brass	03.02.015.00	1
12	Temperature/Pressure Release Valve	03.02.022.00	1
13	Shock Absorber	03.40.057.00	1
14	Fuses *	02.03.014.00	2
15	Fuse Blocks *	02.03.022.00	1
16	Transformers	See Page 4	

Item	Description	Part No.	Qty.
17	Electronic Control	02.01.443.00	1
18	Power I/O (on/off) Toggle Switch	R02.19.008A.00	1
19	Indicator Lights		
	Red (Error Indicator)	02.19.256.00	1
	Green (Power Indicator), 120 V	02.19.155.00	1
	Green (Power Indicator), 240V	02.19.150.00	1
20	Guard, Toggle Switch	04.01.038.00	1
21	Front Cover		
	Small Compact (C-4 to C-18)	04.01.365.00	1
	Large Compact (C-24 to C-58)	04.01.366.00	1
22	Probe, Low Water Cut Off	02.40.001.00	1
23	Probe, Thermostat and Limit	02.16.162.00	2
24	Probe, Thermostat Interlock	02.16.074.00	1
25	Heating Elements	See Page 4-5	
26	Nut, Element Mounting	05.04.028.00	4-24
27	Gasket, Heating Element	02.11.012.00	1-6
28	Blank Element Flange Kit	R02.11.013.00	1
29	Contactors	See Page 6	
30	Fuse Block	See Page 6	
31	Fuses	See Page 6	
32	Terminal Block	02.15.007.00	1
33	Relay (Remote Signal Option)		
	120 V	02.01.088.00	1
	208 V	02.01.105.00	1
	24 V	02.01.466.00	1
34	Terminal Block (Interlock)	02.15.029.00	1
35	Thermostat Control * † (bulb and cap only)		
	Small Compact (C-4 to C-18)	02.16.024.00	1
	Large Compact (C-24 to C-58)	02.16.003.00	1
36	Low Water Cut Off Board †	02.01.210.00	1
37	High Limit Thermostat * †	02.16.116.00	1
38	Slide Bracket Kit (not shown)	R04.20.030.00	1
39	Electronic Control Retrofit Kit † (not shown)	R02.01.443.00	1
	Wiring Diagram	See Page 7	

NOTE: Quantities shown as a range (example = "1-6") are dependent upon the number of elements in a unit.

\* Refer to the "Legacy Parts List" (page 7) for replacement parts for units with a date code of 1905 or older.

† Items 35, 36, and 37 are for units with mechanical controls. The mechanical control can be replaced with Item 39.

The shaded areas contain information for **International models only**.

NOTE: The last four digits in a ten digit numerical serial number are the manufacturing date code: 962506**1704**

Year 2017 ————  
Week Four ————

## Transformers

Item Description	Part No.	Qty.
16 Transformers		
208 V and 240 V	02.17.004.00	1
480 V	02.17.005.00	1
380 V	02.17.003.00	1
415 V	02.17.061.00	1
480 V	R02.17.002.00	1
600 V	02.17.059.00	1
380-400 V	02.17.048.00	
400-415 V	02.17.062.00	1

## Heating Elements — Small Compacts

Item Description	Part No.	Qty.
25 Heating Elements		
C-4 Models		
208 V, 1Φ	R02.04.400.00	1
208 V, 3Φ	R02.04.400.00	3
240 V, 1Φ	R02.04.401.00	1
240 V, 3Φ	R02.04.401.00	3
480 V	R02.04.404.00	1
C-5 Models		
208 V, 1Φ	R02.04.500.00	1
208 V, 3Φ	R02.04.500.00	3
240 V, 1Φ	R02.04.501.00	1
240 V, 3Φ	R02.04.501.00	3
480 V	R02.04.502.00	1
C-6 Models		
208 V	R02.04.302.00	2
240 V	R02.04.303.00	2
480 V	R02.04.305.00	2
380 V	R02.04.510.00	3
415 V	R02.04.452.00	3
600 V	R02.04.404.00	3
380-400 V and 400-415 V	R02.04.202.00	3
C-7 Models		
208 V	R02.04.350.00	2
240 V	R02.04.351.00	2
480 V	R02.04.352.00	2
380 V	R02.04.303.00	3
415 V	R02.04.510.00	3
380-400 V and 400-415 V	R02.04.307.00	3
C-9 Models		
208 V	R02.04.450.00	2
240 V	R02.04.451.00	2
480 V	R02.04.453.00	2
380 V	R02.04.351.00	3
415 V	R02.04.303.00	3
600 V	R02.04.304.00	3
380-400 V and 400-415 V	R02.04.303.00	3

Φ = Phase

NOTE: Heating Elements include Item 27 (Gaskets).

## Heating Elements — Small Compacts

Item Description	Part No.	Qty.
25 Heating Elements		
C-12 Models		
208 V	R02.04.400.00	3
240 V	R02.04.401.00	3
480 V	R02.04.404.00	3
380 V	R02.04.501.00	3
415 V	R02.04.401.00	3
600 V	R02.04.402.00	3
380-400 V and 400-415 V	R02.04.401.00	3
C-13 Models		
208 V	R02.04.450.00	3
240 V	R02.04.451.00	3
480 V	R02.04.453.00	3
380 V	R02.04.451.00	3
415 V	R02.04.451.00	3
600 V	R02.04.353.00	3
380-400 V and 400-415 V	R02.04.451.00	3
C-15 Models		
208 V	R02.04.500.00	3
240 V	R02.04.501.00	3
480 V	R02.04.502.00	3
380 V	R02.04.603.00	3
415 V	R02.04.501.00	3
600 V	R02.04.510.00	3
380-400 V and 400-415 V	R02.04.501.00	3
C-17 Models		
208 V	R02.04.600.00	3
C-18 Models		
208 V	R02.04.600A.00	3
240 V	R02.04.603.00	3
480 V	R02.04.605.00	3
380 V	R02.04.601.00	3
415 V	R02.04.603.00	3
600 V	R02.04.604.00	3
380-400 V and 400-415 V	R02.04.603.00	3

The shaded areas contain information for **International models only**.

### Heating Elements — Large Compacts

Item Description	Part No.	Qty.
25 Heating Elements		
C-24 Models		
208 V	R02.04.400.00	6
240 V	R02.04.401.00	6
480 V	R02.04.404.00	6
380 V	R02.04.501.00	6
415 V	R02.04.401.00	6
600 V	R02.04.402.00	6
380-400 V and 400-415 V	R02.04.401.00	6
C-27 Models		
208 V	R02.04.450.00	6
240 V	R02.04.451.00	6
480 V	R02.04.453.00	6
380 V	R02.04.501.00	6
415 V	R02.04.451.00	6
600 V	R02.04.452.00	6
380-400 V and 400-415 V	R02.04.451.00	6
C-30 Models		
208 V	R02.04.500.00	6
240 V	R02.04.501.00	6
480 V	R02.04.502.00	6
380 V	R02.04.611.00	6
415 V	R02.04.501.00	6
600 V	R02.04.510.00	6
380-400 V and 400-415 V	R02.04.501.00	6
C-36 Models		
208 V	R02.04.610.00	6
240 V	R02.04.611.00	6
480 V	R02.04.613.00	6
380 V	R02.04.601.00	6
415 V	R02.04.611.00	6
600 V	R02.04.612.00	6

NOTE: Heating Elements include Item 27 (Gaskets).

NOTE: The last four digits in a ten digit numerical serial number are the manufacturing date code: 962506**1704**

Year 2017 ————  
 Week Four ————

### Heating Elements — Large Compacts

Item Description	Part No.	Qty.
25 Heating Elements		
C-39 Models		
208 V	R02.04.650.00	6
240 V	R02.04.653.00	6
480 V	R02.04.655.00	6
380 V	R02.04.651.00	6
415 V	R02.04.653.00	6
600 V	R02.04.654.00	6
C-45 Models		
208 V	R02.04.700.00	6
240 V	R02.04.701.00	6
480 V	R02.04.703.00	6
380 V	R02.04.711.00	6
415 V	R02.04.701.00	6
600 V	R02.04.704.00	6
C-54 Models		
208 V	R02.04.710.00	6
240 V	R02.04.711.00	6
480 V	R02.04.713.00	6
380 V	R02.04.721.00	6
415 V	R02.04.711.00	6
600 V	R02.04.714.00	6
C-58 Models		
208 V	R02.04.720.00	6
240 V	R02.04.721.00	6
480 V	R02.04.724.00	6
380 V	R02.04.723.00	6
415 V	R02.04.721.00	6
600 V	R02.04.725.00	6

## Contactors

Item Description	Part No.	Qty.
29 Contactors		
C-4 and C-5 Models		
208 V (1Φ), 240 V (1Φ)	02.01.010.00	1
208 and 240 V (3Φ), 480 V (1Φ)	02.01.015.00	1
208 V (1Φ), 240 V (1Φ)	02.01.016.00	1
C-6, C-7, C-9 Models		
208, 240, 480 V	02.01.015.00	1
All international voltages	02.01.016.00	1
C-12, C-13, C-15, C-17 Models		
208 (1Φ), 240 V (1Φ)	02.01.017.00	1
208 and 240 V (3Φ), 480 V (1Φ)	02.01.015.00	1
208 V (1Φ), 240 V (1Φ)	02.01.018.00	1
240, 380, 415, 480, 600 V	02.01.016.00	1
C-18 Models		
208, 240, 480 V	02.01.015.00	1
208 and 240 V	02.01.018.00	1
380, 415, 480, 600 V	02.01.016.00	1
C-24, C-27, C-30 Models		
208, 240, 480 V	02.01.015.00	1
All international voltages	02.01.016.00	1
C-36 Models		
208 V (1Φ and 3Φ), 240 V (1Φ)	02.01.017.00	3
240 V (3Φ), 480 V (3Φ)	02.01.015.00	2
208 V	02.01.018.00	3
240, 380, 415, 480, 600 V	02.01.016.00	2
C-39 Models		
208 V (1Φ and 3Φ), 240 V (1Φ)	02.01.017.00	3
240 V (3Φ), 480 V (3Φ)	02.01.015.00	2
208 and 240 V	02.01.018.00	3
380, 415, 480, 600 V	02.01.016.00	2
C-45 Models		
208 (3Φ), 240 V	02.01.017.00	3
480 V	02.01.015.00	2
208, 240 V	02.01.018.00	3
380, 415, 480, 600 V	02.01.016.00	2
C-54 Models		
208 V	02.01.017.00	2
240 V	02.01.017.00	3
480 V	02.01.015.00	2
208, 240 V	02.01.018.00	3
380, 415, 480 V	02.01.016.00	2
600 V	02.01.016.00	1
C-58 Models		
208 and 240 V	02.01.017.00	3
480 V	02.01.015.00	2
208, 240 V	02.01.018.00	3
380, 415, 480 V	02.01.016.00	2
600 V	02.01.016.00	1

Φ = Phase

## Fuse Blocks

Item Description	Part No.	Qty.
30 Fuse Block		
C-18 Models	02.41.010.00	2
C-24, C-27, C-30 Models		
208 and 240 V, 1Φ	02.41.010.00	2
208 and 240 V, 3Φ	02.41.001.00	1
	02.41.005.00	1
C-36, C-39 Models		
208 and 240 V, 1Φ	02.41.010.00	4
208 V, 3Φ	02.41.015.00	3
240 V, 3Φ	02.41.001.00	1
	02.41.005.00	1
C-45 Models		
240 V, 1Φ	02.41.010.00	4
208 and 240 V, 3Φ	02.41.015.00	3
480 V, 3Φ	02.41.030.00	2
C-54 Models		
208 and 240 V, 3Φ	02.41.022.00	2
480 V, 3Φ	02.41.030.00	2
C-58 Models		
208 and 240 V, 3Φ	02.41.022.00	2
480 V, 3Φ	02.41.030.00	2

## Fuses

Item Description	Part No.	Qty.
31 Fuses		
C-18 Models	R02.03.031.02	3
C-24, C-27 Models		
208 and 240 V, 1Φ	R02.03.033.02	3
208 and 240 V, 3Φ	R02.03.032.02	3
C-30 Models	R02.03.033.02	3
C-36, C-39 Models		
208 and 240 V, 1Φ	R02.03.031.02	6
208 V, 3Φ	R02.03.031.02	6
240 V, 3Φ	R02.03.033.02	3
C-45 Models		
208 V, 3Φ	R02.03.032.02	6
240 V, 1Φ	R02.03.031.02	6
240 V, 3Φ	R02.03.031.02	6
480 V, 3Φ	R02.03.011.02	3
C-54 Models		
208 and 240 V, 3Φ	R02.03.033.02	6
480 V, 3Φ	R02.03.012.02	3
C-58 Models		
208 V, 3Φ	R02.03.033.02	6
240 V, 3Φ	R02.03.032.02	6
480 V, 3Φ	R02.03.012.02	3

The shaded areas contain information for **International models only**.

### Wiring Diagrams — Small Compact

Item Description	Part No.
Wiring Diagram	
SC 1PH 18KW W/ETC	10-01-1491A
SC DELTA 9-18KW W/ETC	10-01-1492A
SC DELTA 9-18KW W/ETC 240CIR	10-01-1492B
SC WYE 4-18KW W/ETC	10-01-1493A
SC WYE 4-18KW W/ETC 240CIR	10-01-1493B
SC DUAL 10-18 W/ETC	10-01-1494A
SC DUAL 10-18 W/ETC 240CIR	10-01-1494B
SC 1PH 10-15KW W/ETC	10-01-1495A
SC DUAL 6-9KW W/ETC	10-01-1496A
SC DUAL 6-9KW W/ETC 240CIR	10-01-1496B
SC 1PH 4-5KW W/ETC	10-01-1497A
SC 1PH 4-5KW W/ETC 240CIR	10-01-1497B

### Wiring Diagrams — Large Compact

Item Description	Part No.
Wiring Diagram	
LC 1PH 24-30KW W/ETC	10-01-1479A
LC DELTA 24-39KW W/ETC	10-01-1480A
LC DELTA 45-57KW W/ETC	10-01-1481A
LC DELTA 24-57KW W/ETC	10-01-1482A
LC 1PH 36-57KW W/ETC	10-01-1483A
LC DELTA 36-57KW W/ETC	10-01-1484A
LC DELTA 36-57KW W/ETC 240CIR	10-01-1485B
LC WYE 24-57KW W/ETC	10-01-1486A
LC DUAL 24-36KW W/ETC 240CIR	10-01-1487B
LC DELTA 9-18KW W/ETC	10-01-1488A
LC 1PH 36-45KW W/ETC 240CIR	10-01-1489B
LC WYE 39-57KW W/ETC	10-01-1490A
BO WYE 36KW LWCO CE 3 WIRE	10-01-443A
BO WYE 36KW LWCO CE 4 WIRE	10-01-443B
BO WYE 36KW LWCO CE 4 WIRE	10-01-444C
BO WYE 24-30KW LWCO CE 3 WIRE	10-01-445A
BO WYE 24-30KW LWCO CE 4 WIRE	10-01-445B
BO WYE 54-57KW LWCO REM SIG	10-01-446C

### Legacy Parts List

Item Description	Part No.	Qty.
14 Fuse		
Class G	02.03.014.00	2
AGC, 1 Amp Glass Fuse	02.03.001.00	2
Class G	02.03.005.00	2
Class CC, 500 V	02.03.021.00	2
15 Fuse Block		
Class G	02.03.022.00	1
Fuse Holder for AGC Fuse	02.03.004.00	1
Class CC	02.03.016.00	1

NOTE: The last four digits in a ten digit numerical serial number are the manufacturing date code: 962506**1704**

Year 2017 ————  
 Week Four ————

# AUTHORIZED PARTS DISTRIBUTORS • AUTORISÉS DISTRIBUTEURS DE PIÈCES

## ALABAMA

Jones McLeod Appl. Svc.  
Birmingham 205-251-0159

## ARIZONA

Tech 24  
Phoenix 602-234-2443

Byassee Equipment Co.  
Phoenix 602-252-0402

## CALIFORNIA

Industrial Electric  
Commercial Parts & Service, Inc.  
Huntington Beach 714-379-7100

Chapman Appl. Service  
San Diego 619-298-7106

P & D Appliance  
Commercial Parts & Service, Inc.  
S. San Francisco 650-635-1900

## COLORADO

Hawkins Commercial Appliance  
Englewood 303-781-5548

## FLORIDA

Whaley Foodservice Repair  
Jacksonville 904-725-7800

Whaley Foodservice Repair  
Orlando 407-757-0851

B.G.S.I./Heritage  
Pompano Beach 954-971-0456

Comm. Appliance Service  
Tampa 813-663-0313

## GEORGIA

Heritage Service Group  
Norcross 866-388-9837

## HAWAII

Burney's Comm. Service, Inc.  
Honolulu 808-848-1466

Food Equip Parts & Service  
Honolulu 808-847-4871

## ILLINOIS

Parts Town  
Addison 708-865-7278

Eichenauer Elec. Service  
Decatur 217-429-4229

Midwest Elec. Appl. Service  
Elmhurst 630-279-8000

Cone's Repair Service  
Moline 309-797-5323

## IOWA

Goodwin Tucker Group  
Des Moines 515-262-9308

## KENTUCKY

Tech 24  
Lexington 859-254-8854

Tech 24  
Louisville 502-451-5411

## LOUISIANA

Chandlers Parts & Service  
Baton Rouge 225-272-6620

## MARYLAND

Electric Motor Service  
Baltimore 410-467-8080

## MASSACHUSETTS

Ace Service Co., Inc.  
Needham 781-449-4220

## MICHIGAN

Bildons Appliance Service  
Detroit 248-478-3320

Commercial Kitchen Service  
Bay City 989-893-4561

Midwest Food Equip. Service  
Grandville 616-261-2000

## MISSOURI

General Parts  
Kansas City 816-421-5400

Commercial Kitchen Services  
St. Louis 314-890-0700

Kaemmerlen Parts & Service  
St. Louis 314-535-2222

## NEBRASKA

Anderson Electric  
Omaha 402-341-1414

## NEVADA

Burney's Commercial  
Las Vegas 702-736-0006

Hi. Tech Commercial Service  
N. Las Vegas 702-649-4616

## NEW JERSEY

Jay Hill Repair  
Fairfield 973-575-9145

Service Plus  
Flanders 973-691-6300

## NEW YORK

Alpro Service Co.  
Maspeth 718-386-2515

Duffy's - AIS  
Buffalo 716-884-7425

3Wire  
Plattsburgh 800-634-5005

Duffy's - AIS  
Sauquoit 800-836-1014

J.B. Brady, Inc.  
Syracuse 315-422-9271

## NORTH CAROLINA

Authorized Appliance  
Charlotte 704-377-4501

## OHIO

Akron/Canton Comm. Svc. Inc.  
Akron 330-753-6634

Tech 24  
Cincinnati 513-772-6600

Commercial Parts and Service  
Columbus 614-221-0057

Electrical Appl. Repair Service  
Brooklyn Heights 216-459-8700

E. A. Wichman Co.  
Toledo 419-385-9121

## OKLAHOMA

Hagar Rest. Service, Inc.  
Oklahoma City 405-235-2184

## OREGON

General Parts Group  
Portland 503-624-0890

## PENNSYLVANIA

Elmer Schultz Services  
Philadelphia 215-627-5401

FAST Comm. Appl. Service  
Philadelphia 215-288-4800

AIS Commercial Parts and Service  
Pittsburgh 412-809-0244

K & D Service Co.  
Harrisburg 717-236-9039

Electric Repair Co.  
Reading 610-376-5444

## RHODE ISLAND

Marshall Electric Co.  
Providence 401-331-1163

## SOUTH CAROLINA

Whaley Foodservice Repair  
Lexington 803-996-9900

## TENNESSEE

Camp Electric  
Memphis 901-527-7543

## TEXAS

Armstrong Repair Service  
Houston 713-666-7100

Cooking Equipment Specialist  
Mesquite 972-686-6666

Commercial Kitchen Repair Co.  
San Antonio 210-735-2811

## UTAH

La Monica's Rest. Equip. Service  
Murray 801-263-3221

## VIRGINIA

Daubers  
Norfolk 757-855-4097

Daubers  
Springfield 703-866-3600

## WASHINGTON

3Wire  
Seattle 800-207-3146

## WISCONSIN

A.S.C., Inc.  
Madison 608-246-3160

A.S.C., Inc.  
Milwaukee 414-543-6460

## CANADA

### ALBERTA

Key Food Equipment Service  
Edmonton 780-438-1690

### BRITISH COLUMBIA

Key Food Equipment Service  
Vancouver 604-433-4484

Key Food Equipment Service  
Victoria 250-920-4888

### MANITOBA

Air Rite, Inc.  
Winnipeg 204-895-2300

### NEW BRUNSWICK

EMR Services, Ltd.  
Moncton 506-855-4228

### ONTARIO

R.G. Henderson Ltd.  
Toronto 416-422-5580

Choquette - CKS, Inc.  
Ottawa 613-739-8458

### QUÉBEC

Choquette - CKS, Inc.  
Montreal 514-722-2000

Choquette - CKS, Inc.  
Québec City 418-681-3944

## UNITED KINGDOM

Marren Group  
Northants +44(0)1933 665313

**HATCO CORPORATION**  
P.O. Box 340500  
Milwaukee, WI 53234-0500 U.S.A.  
800-558-0607 414-671-6350  
partsandservice@hatcocorp.com  
www.hatcocorp.com



24 Hour 7 Day Parts and Service  
Assistance available in the United States  
and Canada by calling 800-558-0607.