



IMPORTANT NOTE:

Locate the Specification Label on unit to determine exact Model Name and electrical specifications. This information is needed to identify the correct replacement parts. See exploded view illustration(s) for Specification Label location.

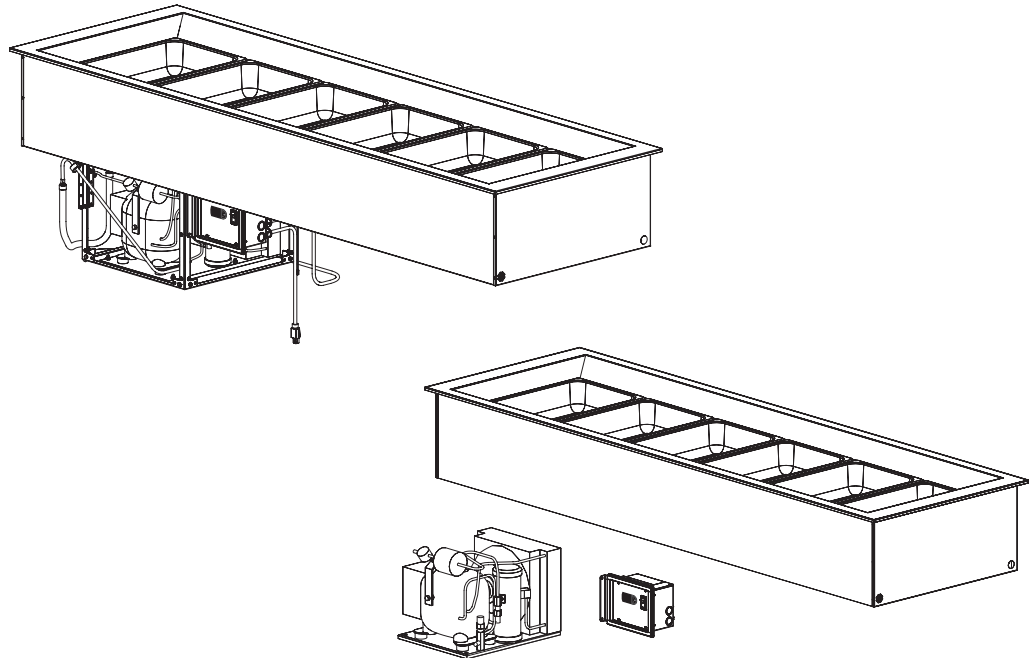


Use of replacement parts other than those supplied by Hatco Corporation may result in damage to unit or injury to personnel and will void all warranties.

Refrigerated Drop-In Wells

CWB, CWBS, CWBR, and CWBX Series

<u>Model Name</u>	<u>Page</u>	<u>Model Name</u>	<u>Page</u>	<u>Model Name</u>	<u>Page</u>
CWB-1.....	2-4	CWBR-1.....	2-4	CWBX-1.....	2
CWB-2.....	2-4	CWBR-2.....	2-4	CWBX-2.....	2
CWB-3.....	2-4	CWBR-3.....	2-4	CWBX-3.....	2
CWB-4.....	2-4	CWBR-4.....	2-4	CWBX-4.....	2
CWB-5.....	2-4	CWBR-5.....	2-4	CWBX-5.....	2
CWB-6.....	2-4	CWBR-6.....	2-4	CWBX-6.....	2
CWB-S1.....	2-4				
CWB-S2.....	2-4				
CWB-S3.....	2-4				
CWB-S4.....	2-4				



Replacement Parts List

Hatco Refrigerated Drop-In Wells

CWB, CWBS, CWBR, and CWBX Series

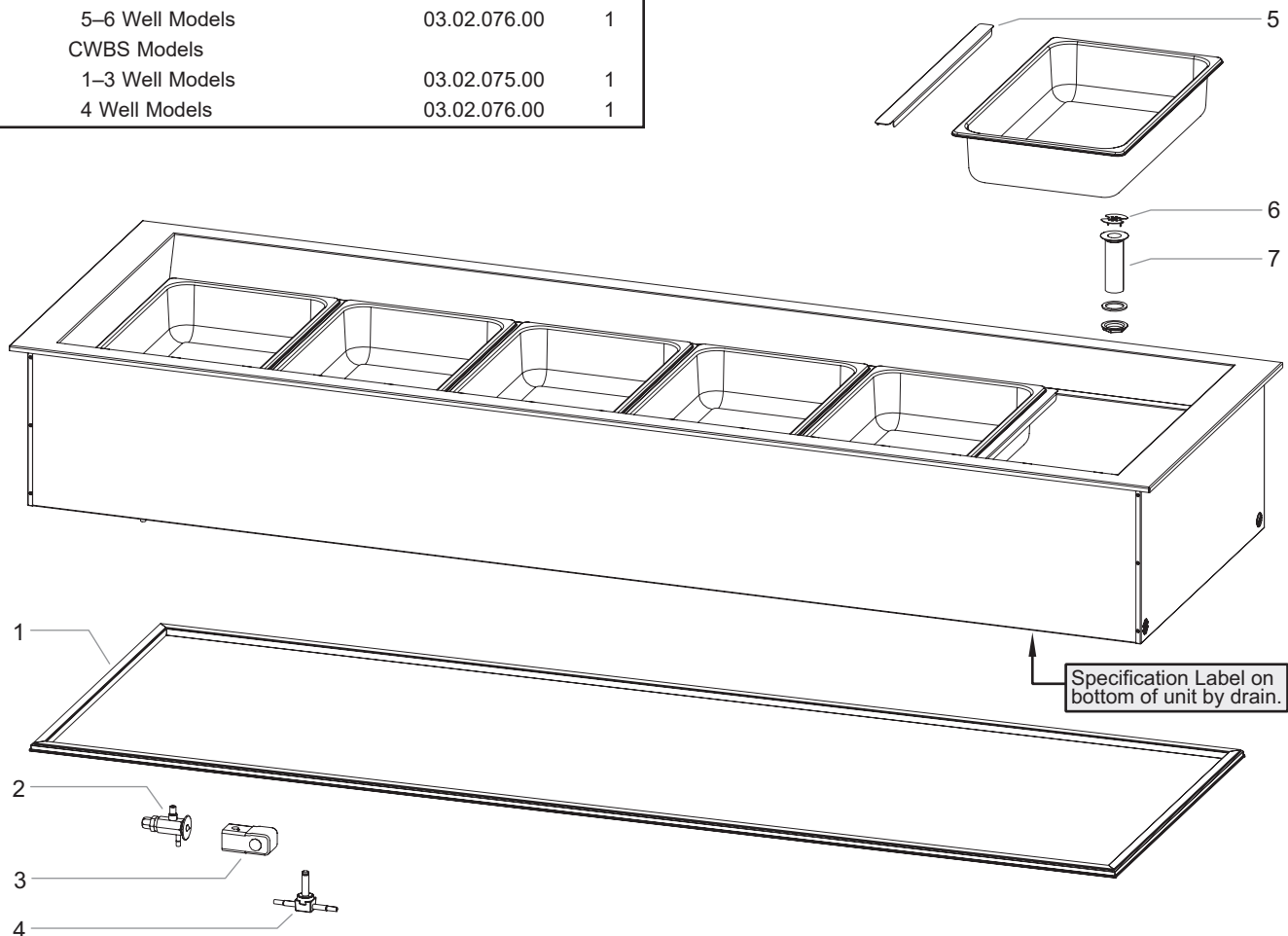
Main Assembly

Item	Description	Part No.	Qty.
1	Gasket (Option)		
	CWB-1, CWBR-1, CWBX-1	05.06.156.00	1
	CWB-2, CWBR-2, CWBX-3	05.06.220.00	1
	CWB-3, CWBR-3, CWBX-3	05.06.221.00	1
	CWB-4, CWBR-4, CWBX-4	05.06.222.00	1
	CWB-5, CWBR-5, CWBX-5	05.06.223.00	1
	CWB-6, CWBR-6, CWBX-6	05.06.224.00	1
	CWB-S1, CWBR-S1, CWBX-S1	05.06.225.00	1
	CWB-S2, CWBR-S2, CWBX-S2	05.06.226.00	1
	CWB-S3, CWBR-S3, CWBX-S3	05.06.227.00	1
	CWB-S4, CWBR-S4, CWBX-S4	05.06.228.00	1
2	TXV Valve		
	R-513A Refrigerant Models		
	CWB, CWBR, and CWBX Models		
	1-4 Well Models	03.02.101.00	1
	5-6 Well Models	03.02.102.00	1
	CWBS Models		
	1-3 Well Models	03.02.101.00	1
	4 Well Models	03.02.102.00	1
	R-404A Refrigerant Models		
	CWB, CWBR, and CWBX Models		
	1-4 Well Models	03.02.075.00	1
	5-6 Well Models	03.02.076.00	1
	CWBS Models		
	1-3 Well Models	03.02.075.00	1
	4 Well Models	03.02.076.00	1

Item	Description	Part No.	Qty.
3	Solenoid Coil (CWBX Models only)		
	120 V	03.02.082.00	1
	220/230/240 V	03.02.084.00	1
4	Solenoid Valve (CWBX Models only)	03.02.081.00	1
5	Pan Divider	04.47.090.00	1-5
6	Drain Strainer	04.47.159.00	1
7	Drain w/ Gasket and Nut	03.05.109.00	1
	Wiring Diagrams		
	CWB and CWBS Models		
	120 V	10-01-1099	
	220/230/240 V	10-01-1178	
	CWBR and CWBX Models	10-01-1101	

The shaded areas contain part information for **International models only**.

NOTE: Quantities shown as a range (example = "1-5") are dependent upon the number of wells in a unit.



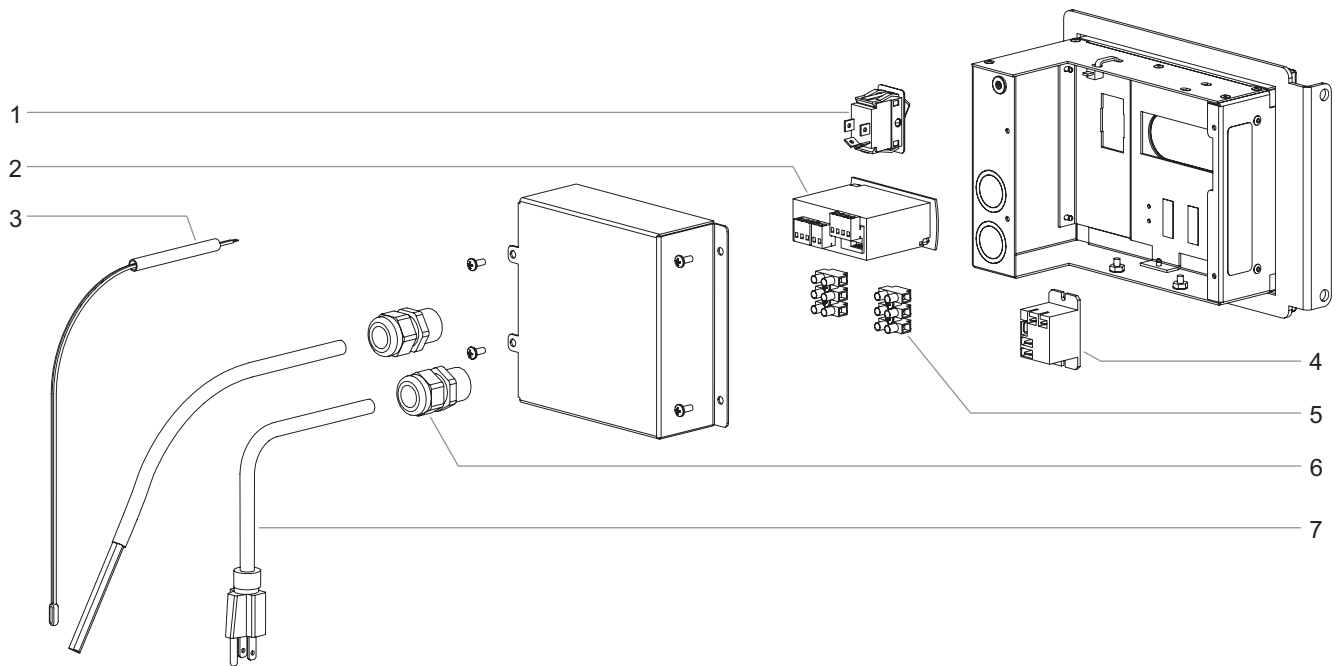
Control Enclosure

Item	Description	Part No.	Qty.
1	Switch, Rocker	02.19.015.00	1
2	Controller, Electronic w/ Probe		
	120 V	R02.01.375.10	1
	220/230/240 V	R02.01.406.04	1
3	Temperature Probe	02.01.387.00	1
4	Relay		
	120 V	R02.01.088.00	1
	220/230/240 V	02.01.105.00	1
5	Terminal Block	R02.15.030.00	2

Item	Description	Part No.	Qty.
6	Cord Grip (CWB and CWBS only)	R02.20.259.00	2
7	Power Cord (CWB and CWBS only) ‡		
	NEMA 5-15P, 120 V	02.18.284.00	1
	CEE 7/7 Schuko, 220/230 V	02.18.077.00	1
	BS-1363, 220/230/240 V	02.18.066.00	1
	AS 3112, 240 V	02.18.104.00	1
8	Conversion Kit (includes items 1–7, control box, and wiring diagram), 120 V†	R00.02.0094.00	1

† For units with a serial number of 3453661318 or earlier.

‡ Optional power cord lengths available.

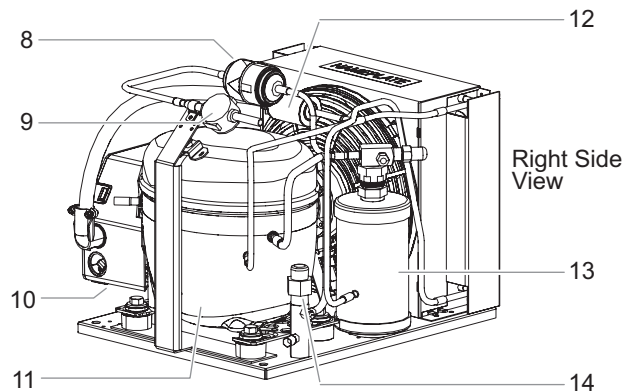
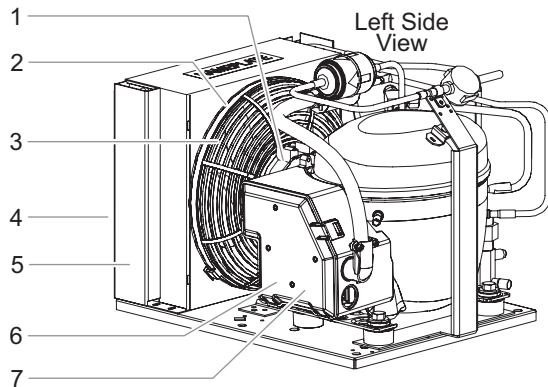


NOTE: The last four digits in a ten digit numerical serial number are the manufacturing date code.

Example: Serial number 9625061931 has a date code of "1931" which indicates the following: 1931

└─ Week Thirty-One
└─ Year 2019

Condensing Unit R513A – Date Code 2001 or NEWER (CWB, CWBS, and CWBR Models)



Item	Description	Part No.	Qty.
1	Fan Motor, Condensing Unit		
	120 V, 60 Hz CWB-1, -2, -3, -4, -S1, -S2, -S3	03.13.071.00	1
	120 V, 60 Hz CWB-5, -6, -S4	03.13.143.00	1
	220/230/240 V, 60 Hz CWB-1, -2, -3, -4, -S1, -S2, -S3	03.13.093.00	1
	220/230/240 V, 60 Hz CWB-5, -6, -S4	03.13.096.00	1
	220/230/240 V, 50 Hz CWB-1, -2, -3, -S1, -S2	03.13.093.00	1
	220/230/240 V, 50 Hz CWB-4, -S3	03.13.093.00	1
	220/230/240 V, 50 Hz CWB-5, -6, -S4	03.13.100.00	1
2	Fan Guard, Condensing Unit		
	120 V, 60 Hz CWB-1, -2, -3, -4, -S1, -S2, -S3	03.13.074.00	1
	120 V, 60 Hz CWB-5, -6, -S4	03.13.103.00	1
	220/230/240 V, 60 Hz CWB-1, -2, -3, -4, -S1, -S2, -S3	03.13.074.00	1
	220/230/240 V, 60 Hz CWB-5, -6, -S4	03.13.098.00	1
	220/230/240 V, 50 Hz CWB-1, -2, -3, -S1, -S2	03.13.074.00	1
	220/230/240 V, 50 Hz CWB-4, -S3	03.13.074.00	1
	220/230/240 V, 50 Hz CWB-5, -6, -S4	03.13.103.00	1
3	Fan Blade, Condensing Unit		
	120 V, 60 Hz CWB-1, -2, -3, -4, -S1, -S2, -S3	03.13.005.00	1
	120 V, 60 Hz CWB-5, -6, -S4	03.13.101.00	1
	220/230/240 V, 60 Hz CWB-1, -2, -3, -4, -S1, -S2, -S3	03.13.005.00	1
	220/230/240 V, 60 Hz CWB-5, -6, -S4	03.13.022.00	1
	220/230/240 V, 50 Hz CWB-1, -2, -3, -S1, -S2	03.13.005.00	1
	220/230/240 V, 50 Hz CWB-4, -S3	03.13.005.00	1
	220/230/240 V, 50 Hz CWB-5, -6, -S4	03.13.101.00	1

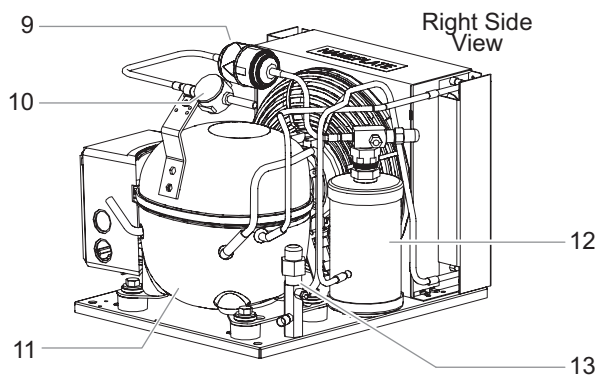
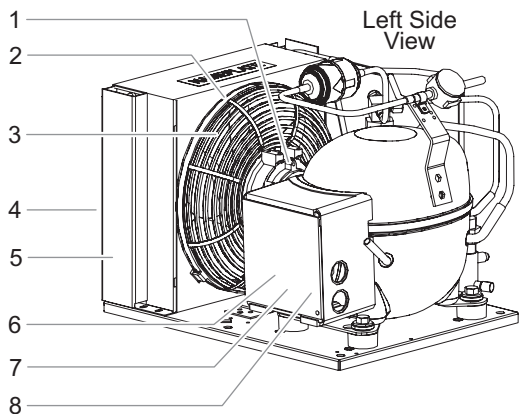
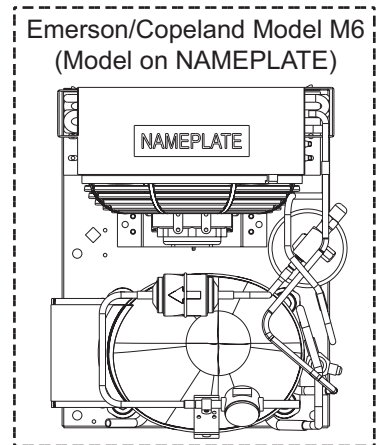
Item	Description	Part No.	Qty.
4	Air Condenser, Condensing Unit		
	120 V, 60 Hz CWB-1, -2, -3, -S1, -S2	03.13.078.00	1
	120 V, 60 Hz CWB-4, -S3	03.13.073.00	1
	120 V, 60 Hz CWB-5, -6, -S4	03.13.144.00	1
	220/230/240 V, 60 Hz CWB-1, -2, -3, -4, -S1, -S2, -S3	03.13.073.00	1
	220/230/240 V, 60 Hz CWB-5, -6, -S4	03.13.077.00	1
	220/230/240 V, 50 Hz CWB-1, -2, -3, -S1, -S2	03.13.073.00	1
	220/230/240 V, 50 Hz CWB-4, -S3	03.13.078.00	1
	220/230/240 V, 50 Hz CWB-5, -6, -S4	03.13.102.00	1
	5	Condenser Shroud, Condensing Unit	
120 V, 60 Hz CWB-1, -2, -3, -4, -S1, -S2, -S3		03.13.029.00	1
120 V, 60 Hz CWB-5, -6, -S4		03.13.026.00	1
220/230/240 V, 60 Hz CWB-1, -2, -3, -4, -S1, -S2, -S3		03.13.029.00	1
220/230/240 V, 60 Hz CWB-5, -6, -S4		03.13.026.00	1
220/230/240 V, 50 Hz CWB-1, -2, -3, -S1, -S2		03.13.029.00	1
220/230/240 V, 50 Hz CWB-4, -S3		03.13.029.00	1
220/230/240 V, 50 Hz CWB-5, -6, -S4		03.13.031.00	1

The shaded areas contain part information for International models only.

Item	Description	Part No.	Qty.
6	Relay, Compressor		
	120 V, 60 Hz CWB-1, -2, -3, -S1, -S2	03.13.134.00	1
	120 V, 60 Hz CWB-4, -S3	03.13.138.00	1
	120 V, 60 Hz CWB-5, -6, -S4	03.13.147.00	1
	220/230/240 V, 60 Hz CWB-1, -2, -3, -4, -S1, -S2, -S3	03.13.157.00	1
	220/230/240 V, 60 Hz CWB-5, -6, -S4	03.13.161.00	1
	220/230/240 V, 50 Hz CWB-1, -2, -3, -S1, -S2	03.13.157.00	1
	220/230/240 V, 50 Hz CWB-4, -S3	03.13.154.00	1
	220/230/240 V, 50 Hz CWB-5, -6, -S4	03.13.154.00	1
7	Starter, Compressor		
	120 V, 60 Hz CWB-1, -2, -3, -S1, -S2	03.13.135.00	1
	120 V, 60 Hz CWB-4, -S3	03.13.139.00	1
	120 V, 60 Hz CWB-5, -6, -S4	03.13.148.00	1
	220/230/240 V, 60 Hz CWB-1, -2, -3, -4, -S1, -S2, -S3	03.13.158.00	1
	220/230/240 V, 60 Hz CWB-5, -6, -S4	03.13.162.00	1
	220/230/240 V, 50 Hz CWB-1, -2, -3, -S1, -S2	03.13.158.00	1
	220/230/240 V, 50 Hz CWB-4, -S3	03.13.091.00	1
	220/230/240 V, 50 Hz CWB-5, -6, -S4	03.13.091.00	1
8	Filter Drier		
	120 V, 50/60 Hz CWB-1, -2, -3, -4, -5, -6, -S1, -S2, -S3, -S4 (1/4" I.D. SWT Connection)	03.13.003.00	1
	120 V, 60 Hz CWB-5, -6, -S4 (3/8" I.D. SWT Connection)	03.13.142.00	1
	220/230/240 V, 50/60 Hz CWB-1, -2, -3, -4, -5, -6, -S1, -S2, -S3, -S4 (1/4" I.D. SWT Connection)	03.13.003.00	1
9	Sight Glass		
	120 V, 60 Hz CWB-1, -2, -3, -4, -5, -6, -S1, -S2, -S3, -S4 (1/4" I.D. SWT Connection)	03.13.002.00	1
	120 V, 60 Hz CWB-5, -6, -S4 (3/8" I.D. SWT Connection)	03.13.141.00	1
	220/230/240 V, 50/60 Hz All Models	03.13.002.00	1

Item	Description	Part No.	Qty.
10	External Protector		
	120 V, 60 Hz CWB-1, -2, -3, -S1, -S2	03.13.136.00	1
	120 V, 60 Hz CWB-4, -S3	03.13.140.00	1
	220/230/240 V, 60 Hz CWB-1, -2, -3, -4, -S1, -S2, -S3	03.13.159.00	1
	220/230/240 V, 60 Hz CWB-5, -6, -S4	03.13.164.00	1
	220/230/240 V, 50 Hz CWB-1, -2, -3, -S1, -S2	03.13.159.00	1
	220/230/240 V, 50 Hz CWB-4, -S3	03.13.155.00	1
	220/230/240 V, 50 Hz CWB-5, -6, -S4	03.13.155.00	1
11	Compressor		
	120 V, 60 Hz CWB-1, -2, -3, -S1, -S2	03.13.133.00	1
	120 V, 60 Hz CWB-4, -S3	03.13.137.00	1
	120 V, 60 Hz CWB-5, -6, -S4	03.13.146.00	1
	220/230/240 V, 60 Hz CWB-1, -2, -3, -4, -S1, -S2, -S3	03.13.156.00	1
	220/230/240 V, 60 Hz CWB-5, -6, -S4	03.13.160.00	1
	220/230/240 V, 50 Hz CWB-1, -2, -3, -S1, -S2	03.13.156.00	1
	220/230/240 V, 50 Hz CWB-4, -S3	03.13.153.00	1
	220/230/240 V, 50 Hz CWB-5, -6, -S4	03.13.153.00	1
12	Pressure Control	03.13.108.00	1
13	Accumulator (Receiver—includes attached service valve) †	03.13.075.00	1
14	Valve, Service		
	120 V, 60 Hz CWB-1, -2, -3, -4, -S1, -S2, -S3	03.13.012.00	1
	120 V, 60 Hz (3/8" I.D. SWT Inlet) CWB-5, -6, -S4	03.13.012.00	1
	120 V, 60 Hz (1/2" I.D. SWT Inlet) CWB-5, -6, -S4	03.13.145.00	1
	220/230/240 V, 50/60 Hz All Models	03.13.012.00	1
15	Run Capacitor		
	120 V, 60 Hz CWB-5, -6, -S4	03.13.149.00	1
	220/230/240 V, 60 Hz CWB-5, -6, -S4	03.13.163.00	1
16	Cap and Relay Assembly		
	120 V, 60 Hz CWB-5, -6, -S4	03.13.150.00	1

Condensing Unit with R-404A Refrigerant Emerson/Copeland Model M6 (CWB, CWBS, and CWBR Models)



Item	Description	Part No.	Qty.
1	Fan Motor, Condensing Unit		
	120 V, 60 Hz	03.13.071.00	1
	220/230/240 V, 60 Hz CWB-1, -2, -3, -4, -S1, -S2, -S3	03.13.093.00	1
	220/230/240 V, 50 Hz CWB-1, -2, -3, -S1, -S2	03.13.093.00	1
	220/230/240 V, 50 Hz CWB-4, -S3	03.13.100.00	1
	220/230/240 V, 50 Hz CWB-5, -6, -S4	03.13.093.00	1
2	Fan Guard, Condensing Unit		
	120 V, 60 Hz	03.13.074.00	1
	220/230/240 V, 60 Hz CWB-1, -2, -3, -4, -S1, -S2, -S3	03.13.074.00	1
	220/230/240 V, 50 Hz CWB-1, -2, -3, -S1, -S2	03.13.074.00	1
	220/230/240 V, 50 Hz CWB-4, -S3	03.13.103.00	1
	220/230/240 V, 50 Hz CWB-5, -6, -S4	03.13.074.00	1
3	Fan Blade, Condensing Unit		
	120 V, 60 Hz	03.13.005.00	1
	220/230/240 V, 60 Hz CWB-1, -2, -3, -4, -S1, -S2, -S3	03.13.005.00	1
	220/230/240 V, 50 Hz CWB-1, -2, -3, -S1, -S2	03.13.005.00	1
	220/230/240 V, 50 Hz CWB-4, -S3	03.13.101.00	1
	220/230/240 V, 50 Hz CWB-5, -6, -S4	03.13.005.00	1

Item	Description	Part No.	Qty.
4	Air Condenser, Condensing Unit		
	120 V, 60 Hz CWB-4, -S3	03.13.078.00	1
	220/230/240 V, 60 Hz CWB-1, -2, -3, -4, -S1, -S2, -S3	03.13.078.00	1
	220/230/240 V, 50 Hz CWB-1, -2, -3, -S1, -S2	03.13.078.00	1
	220/230/240 V, 50 Hz CWB-4, -S3	03.13.102.00	1
	220/230/240 V, 50 Hz CWB-5, -6, -S4	03.13.078.00	1
5	Condenser Shroud, Condensing Unit		
	120 V, 60 Hz CWB-4, -S3	03.13.152.00	1
	220/230/240 V, 60 Hz CWB-1, -2, -3, -4, -S1, -S2, -S3	03.13.029.00	1
	220/230/240 V, 50 Hz CWB-1, -2, -3, -S1, -S2	03.13.029.00	1
	220/230/240 V, 50 Hz CWB-4, -S3	03.13.031.00	1
	220/230/240 V, 50 Hz CWB-5, -6, -S4	03.13.029.00	1

NOTE: The last four digits in a ten digit numerical serial number are the manufacturing date code: 962506**1704**

Year 2017
Week Four

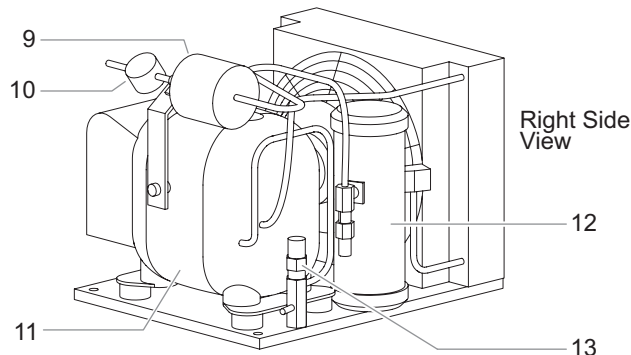
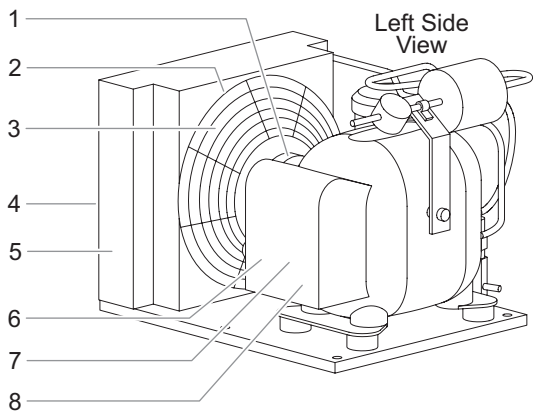
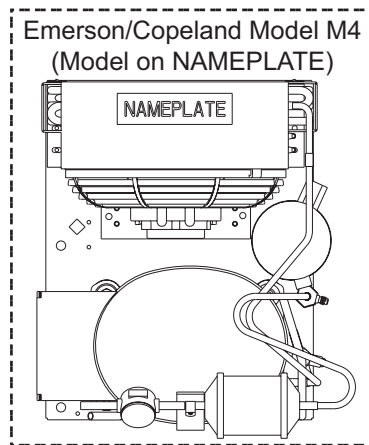
Item	Description	Part No.	Qty.
6	Relay, Compressor 120 V, 60 Hz CWB-4, -S3	03.13.076.00	1
	220/230/240 V, 60 Hz CWB-1, -2, -3, -4, -S1, -S2, -S3	03.13.107.00	1
	220/230/240 V, 50 Hz CWB-1, -2, -3, -S1, -S2	03.13.045.00	1
	220/230/240 V, 50 Hz CWB-4, -S3	03.13.104.00	1
	220/230/240 V, 50 Hz CWB-5, -6, -S4	03.13.090.00	1
	7	Starter, Compressor 120 V, 60 Hz CWB-4, -S3	03.13.020.00
220/230/240 V, 60 Hz CWB-1, -2, -3, -4, -S1, -S2, -S3		03.13.105.00	1
220/230/240 V, 50 Hz CWB-1, -2, -3, -S1, -S2		03.13.046.00	1
220/230/240 V, 50 Hz CWB-4, -S3		03.13.105.00	1
220/230/240 V, 50 Hz CWB-5, -6, -S4		03.13.091.00	1
8		External Protector 120 V, 60 Hz CWB-4, -S3	03.13.128.00
	220/230/240 V, 60 Hz CWB-1, -2, -3, -4, -S1, -S2, -S3	03.13.123.00	1
	220/230/240 V, 50 Hz CWB-1, -2, -3, -S1, -S2	03.13.130.00	1
	220/230/240 V, 50 Hz CWB-4, -S3	03.13.131.00	1
	220/230/240 V, 50 Hz CWB-5, -6, -S4	03.13.127.00	1
	9	Filter Drier	03.13.003.00
10	Sight Glass	03.13.002.00	1

Item	Description	Part No.	Qty.
11	Compressor 120 V, 60 Hz CWB-4, -S3	03.13.018.00	1
	220/230/240 V, 60 Hz CWB-1, -2, -3, -4, -S1, -S2, -S3	03.13.106.00	1
	220/230/240 V, 50 Hz CWB-1, -2, -3, -S1, -S2	03.13.099.00	1
	220/230/240 V, 50 Hz CWB-4, -S3	03.13.085.00	1
	220/230/240 V, 50 Hz CWB-5, -6, -S4	03.13.089.00	1
	12	Accumulator (Receiver—includes attached service valve) †	03.13.075.00
13	Valve, Service	03.13.012.00	1

The shaded areas contain part information for **International models only**.

† The attached service valve on the Accumulator is not replaceable. If the valve malfunctions, the entire Accumulator must be replaced.

Condensing Unit with R-404A Refrigerant Emerson/Copeland Model M4 (CWB, CWBS, and CWBR Models)



Item	Description	Part No.	Qty.
1	Fan Motor, Condensing Unit		
	120 V, 60 Hz CWB-1, -2, -3, -S1, -S2	03.13.071.00	1
	120 V, 60 Hz CWB-4, -S3	03.13.004.00	1
	120 V, 60 Hz CWB-5, -6, -S4	03.13.021.00	1
	220/230/240 V, 60 Hz CWB-1, -2, -3, -4, -S1, -S2, -S3	03.13.093.00	1
	220/230/240 V, 60 Hz CWB-5, -6, -S4	03.13.096.00	1
	220/230/240 V, 50 Hz CWB-1, -2, -3, -4, -S1, -S2, -S3	03.13.043.00	1
	220/230/240 V, 50 Hz CWB-5, -6, -S4	03.13.088.00	1
	2	Fan Guard, Condensing Unit	
120 V, 60 Hz CWB-1, -2, -3, -4, -S1, -S2, -S3		03.13.074.00	1
120 V, 60 Hz CWB-5, -6, -S4		03.13.098.00	1
220/230/240 V, 60 Hz CWB-1, -2, -3, -4, -S1, -S2, -S3		03.13.074.00	1
220/230/240 V, 60 Hz CWB-5, -6, -S4		03.13.098.00	1
220/230/240 V, 50 Hz CWB-1, -2, -3, -4, -S1, -S2, -S3		03.13.074.00	1
220/230/240 V, 50 Hz CWB-5, -6, -S4		03.13.098.00	1

Item	Description	Part No.	Qty.
3	Fan Blade, Condensing Unit		
	120 V, 60 Hz CWB-1, -2, -3, -4, -S1, -S2, -S3	03.13.005.00	1
	120 V, 60 Hz CWB-5, -6, -S4	03.13.022.00	1
	220/230/240 V, 60 Hz CWB-1, -2, -3, -4, -S1, -S2, -S3	03.13.005.00	1
	220/230/240 V, 60 Hz CWB-5, -6, -S4	03.13.022.00	1
	220/230/240 V, 50 Hz CWB-1, -2, -3, -S1, -S2	03.13.005.00	1
	220/230/240 V, 50 Hz CWB-4, -S3	03.13.082.00	1
	220/230/240 V, 50 Hz CWB-5, -6, -S4	03.13.022.00	1
	4	Air Condenser, Condensing Unit	
120 V, 60 Hz CWB-1, -2, -3, -S1, -S2		03.13.006.00	1
120 V, 60 Hz CWB-4, -S3		03.13.017.00	1
120 V, 60 Hz CWB-5, -6, -S4		03.13.023.00	1
220/230/240 V, 60 Hz CWB-1, -2, -3, -4, -S1, -S2, -S3		03.13.017.00	1
220/230/240 V, 60 Hz CWB-5, -6, -S4		03.13.023.00	1
220/230/240 V, 50 Hz CWB-1, -2, -3, -S1, -S2		03.13.017.00	1
220/230/240 V, 50 Hz CWB-4, -S3		03.13.083.00	1
220/230/240 V, 50 Hz CWB-5, -6, -S4		03.13.023.00	1

Item	Description	Part No.	Qty.
5	Condenser Shroud, Condensing Unit		
	120 V, 60 Hz		
	CWB-1, -2, -3, -4, -S1, -S2, -S3	03.13.029.00	1
	120 V, 60 Hz		
	CWB-5, -6, -S4	03.13.026.00	1
	220/230/240 V, 60 Hz		
	CWB-1, -2, -3, -4, -S1, -S2, -S3	03.13.152.00	1
	220/230/240 V, 60 Hz		
	CWB-5, -6, -S4	03.13.031.00	1
	220/230/240 V, 50 Hz		
	CWB-1, -2, -3, -S1, -S2	03.13.029.00	1
	220/230/240 V, 50 Hz		
	CWB-4, -S3	03.13.084.00	1
	220/230/240 V, 50 Hz		
	CWB-5, -6, -S4	03.13.026.00	1
6	Relay, Compressor		
	120 V, 60 Hz		
	CWB-1, -2, -3, -S1, -S2	03.13.072.00	1
	120 V, 60 Hz, CWB-4, -S3	03.13.019.00	1
	120 V, 60 Hz, CWB-5, -6, -S4	03.13.027.00	1
	220/230/240 V, 60 Hz		
	CWB-1, -2, -3, -4, -S1, -S2, -S3	03.13.095.00	1
	220/230/240 V, 60 Hz		
	CWB-5, -6, -S4	03.13.087.00	1
	220/230/240 V, 50 Hz		
	CWB-1, -2, -3, -S1, -S2	03.13.045.00	1
	220/230/240 V, 50 Hz		
	CWB-4, -S3	03.13.087.00	1
	220/230/240 V, 50 Hz		
	CWB-5, -6, -S4	03.13.090.00	1
7	Starter, Compressor		
	120 V, 60 Hz		
	CWB-1, -2, -3, -S1, -S2	03.13.020.00	1
	120 V, 60 Hz, CWB-4, -S3	03.13.020.00	1
	120 V, 60 Hz, CWB-5, -6, -S4	03.13.028.00	1
	220/230/240 V, 60 Hz		
	CWB-1, -2, -3, -4, -5, -6, CWB-S1, -S2, -S3, -S4	03.13.091.00	1
	220/230/240 V, 50 Hz		
	CWB-1, -2, -3, -S1, -S2	03.13.046.00	1
	220/230/240 V, 50 Hz		
	CWB-4, -S3	03.13.046.00	1
	220/230/240 V, 50 Hz		
	CWB-5, -6, -S4	03.13.091.00	1
8	External Protector		
	120 V, 60 Hz		
	CWB-1, -2, -3, -S1, -S2	03.13.120.00	1
	120 V, 60 Hz, CWB-4, -S3	03.13.121.00	1
	120 V, 60 Hz, CWB-5, -6, -S4	03.13.122.00	1
	220/230/240 V, 60 Hz		
	CWB-1, -2, -3, -4, -S1, -S2, -S3	03.13.124.00	1
	220/230/240 V, 60 Hz		
	CWB-5, -6, -S4	03.13.125.00	1
	220/230/240 V, 50 Hz		
	CWB-1, -2, -3, -S1, -S2	03.13.123.00	1
	220/230/240 V, 50 Hz		
	CWB-4, -S3	03.13.126.00	1
	220/230/240 V, 50 Hz		
	CWB-5, -6, -S4	03.13.127.00	1

Item	Description	Part No.	Qty.
9	Filter Drier		
	120 V, 60 Hz	03.13.003.00	1
	220/230/240 V, 50 Hz	03.13.003.00	1
	220/230/240 V, 60 Hz	03.13.092.00	1
10	Sight Glass	03.13.002.00	1
11	Compressor		
	120 V, 60 Hz		
	CWB-1, -2, -3, -S1, -S2	03.13.013.00	1
	120 V, 60 Hz		
	CWB-4, -S3	03.13.018.00	1
	120 V, 60 Hz		
	CWB-5, -6, -S4	03.13.025.00	1
	220/230/240 V, 60 Hz		
	CWB-1, -2, -3, -4, -S1, -S2, -S3	03.13.094.00	1
	220/230/240 V, 60 Hz		
	CWB-5, -6, -S4	03.13.097.00	1
	220/230/240 V, 50 Hz		
	CWB-1, -2, -3, -S1, -S2	03.13.044.00	1
	220/230/240 V, 50 Hz		
	CWB-4, -S3	03.13.085.00	1
	220/230/240 V, 50 Hz		
	CWB-5, -6, -S4	03.13.089.00	1
12	Accumulator (Receiver—includes attached service valve) †		
	120 V, 60 Hz		
	CWB-1, -2, -3, -4, -S1, -S2, -S3	03.13.010.00	1
	120 V, 60 Hz		
	CWB-5, -6, -S4	03.13.024.00	1
	220/230/240 V, 60 Hz		
	CWB-1, -2, -3, -4, -S1, -S2, -S3	03.13.010.00	1
	220/230/240 V, 60 Hz		
	CWB-5, -6, -S4	03.13.024.00	1
	220/230/240 V, 50 Hz		
	CWB-1, -2, -3, -S1, -S2	03.13.010.00	1
	220/230/240 V, 50 Hz		
	CWB-4, -S3	03.13.010.00	1
	220/230/240 V, 50 Hz		
	CWB-5, -6, -S4	03.13.024.00	1
13	Valve, Service	03.13.012.00	1

The shaded areas contain part information for **International models only**.

† The attached service valve on the Accumulator is not replaceable. If the valve malfunctions, the entire Accumulator must be replaced.

AUTHORIZED PARTS DISTRIBUTORS • AUTORISÉS DISTRIBUTEURS DE PIÈCES

ALABAMA

Jones McLeod Appl. Svc.
Birmingham 205-251-0159

ARIZONA

Tech 24
Phoenix 602-234-2443

Byassee Equipment Co.
Phoenix 602-252-0402

CALIFORNIA

Industrial Electric
Commercial Parts & Service, Inc.
Huntington Beach 714-379-7100

Chapman Appl. Service
San Diego 619-298-7106

P & D Appliance
Commercial Parts & Service, Inc.
S. San Francisco 650-635-1900

COLORADO

Hawkins Commercial Appliance
Englewood 303-781-5548

FLORIDA

Whaley Foodservice Repair
Jacksonville 904-725-7800

Whaley Foodservice Repair
Orlando 407-757-0851

B.G.S.I./Heritage
Pompano Beach 954-971-0456

Comm. Appliance Service
Tampa 813-663-0313

GEORGIA

Heritage Service Group
Norcross 866-388-9837

HAWAII

Burney's Comm. Service, Inc.
Honolulu 808-848-1466

Food Equip Parts & Service
Honolulu 808-847-4871

ILLINOIS

Parts Town
Addison 708-865-7278

Eichenauer Elec. Service
Decatur 217-429-4229

Midwest Elec. Appl. Service
Elmhurst 630-279-8000

Cone's Repair Service
Moline 309-797-5323

IOWA

Goodwin Tucker Group
Des Moines 515-262-9308

KENTUCKY

Tech 24
Lexington 859-254-8854

Tech 24
Louisville 502-451-5411

LOUISIANA

Chandlers Parts & Service
Baton Rouge 225-272-6620

MARYLAND

Electric Motor Service
Baltimore 410-467-8080

MASSACHUSETTS

Ace Service Co., Inc.
Needham 781-449-4220

MICHIGAN

Bildons Appliance Service
Detroit 248-478-3320

Commercial Kitchen Service
Bay City 989-893-4561

Midwest Food Equip. Service
Grandville 616-261-2000

MISSOURI

General Parts
Kansas City 816-421-5400

Commercial Kitchen Services
St. Louis 314-890-0700

Kaemmerlen Parts & Service
St. Louis 314-535-2222

NEBRASKA

Anderson Electric
Omaha 402-341-1414

NEVADA

Burney's Commercial
Las Vegas 702-736-0006

Hi. Tech Commercial Service
N. Las Vegas 702-649-4616

NEW JERSEY

Jay Hill Repair
Fairfield 973-575-9145

Service Plus
Flanders 973-691-6300

NEW YORK

Alpro Service Co.
Maspeth 718-386-2515

Duffy's - AIS
Buffalo 716-884-7425

3Wire
Plattsburgh 800-634-5005

Duffy's - AIS
Sauquoit 800-836-1014

J.B. Brady, Inc.
Syracuse 315-422-9271

NORTH CAROLINA

Authorized Appliance
Charlotte 704-377-4501

OHIO

Akron/Canton Comm. Svc. Inc.
Akron 330-753-6634

Tech 24
Cincinnati 513-772-6600

Commercial Parts and Service
Columbus 614-221-0057

Electrical Appl. Repair Service
Brooklyn Heights 216-459-8700

E. A. Wichman Co.
Toledo 419-385-9121

OKLAHOMA

Hagar Rest. Service, Inc.
Oklahoma City 405-235-2184

OREGON

General Parts Group
Portland 503-624-0890

PENNSYLVANIA

Elmer Schultz Services
Philadelphia 215-627-5401

FAST Comm. Appl. Service
Philadelphia 215-288-4800

AIS Commercial Parts and Service
Pittsburgh 412-809-0244

K & D Service Co.
Harrisburg 717-236-9039

Electric Repair Co.
Reading 610-376-5444

RHODE ISLAND

Marshall Electric Co.
Providence 401-331-1163

SOUTH CAROLINA

Whaley Foodservice Repair
Lexington 803-996-9900

TENNESSEE

Camp Electric
Memphis 901-527-7543

TEXAS

Armstrong Repair Service
Houston 713-666-7100

Cooking Equipment Specialist
Mesquite 972-686-6666

Commercial Kitchen Repair Co.
San Antonio 210-735-2811

UTAH

La Monica's Rest. Equip. Service
Murray 801-263-3221

VIRGINIA

Daubers
Norfolk 757-855-4097

Daubers
Springfield 703-866-3600

WASHINGTON

3Wire
Seattle 800-207-3146

WISCONSIN

A.S.C., Inc.
Madison 608-246-3160

A.S.C., Inc.
Milwaukee 414-543-6460

CANADA

ALBERTA

Key Food Equipment Service
Edmonton 780-438-1690

BRITISH COLUMBIA

Key Food Equipment Service
Vancouver 604-433-4484

Key Food Equipment Service
Victoria 250-920-4888

MANITOBA

Air Rite, Inc.
Winnipeg 204-895-2300

NEW BRUNSWICK

EMR Services, Ltd.
Moncton 506-855-4228

ONTARIO

R.G. Henderson Ltd.
Toronto 416-422-5580

Choquette - CKS, Inc.
Ottawa 613-739-8458

QUÉBEC

Choquette - CKS, Inc.
Montreal 514-722-2000

Choquette - CKS, Inc.
Québec City 418-681-3944

UNITED KINGDOM

Marren Group
Northants +44(0)1933 665313

HATCO CORPORATION
P.O. Box 340500
Milwaukee, WI 53234-0500 U.S.A.
800-558-0607 414-671-6350
partsandservice@hatcocorp.com
www.hatcocorp.com



24 Hour 7 Day Parts and Service
Assistance available in the United States
and Canada by calling 800-558-0607.