

hatcocorp.com

Register Online!
(see page 2)

S'inscrire en ligne!
(voir page 23)



Glo-Ray®

Designer Infrared Foodwarmers

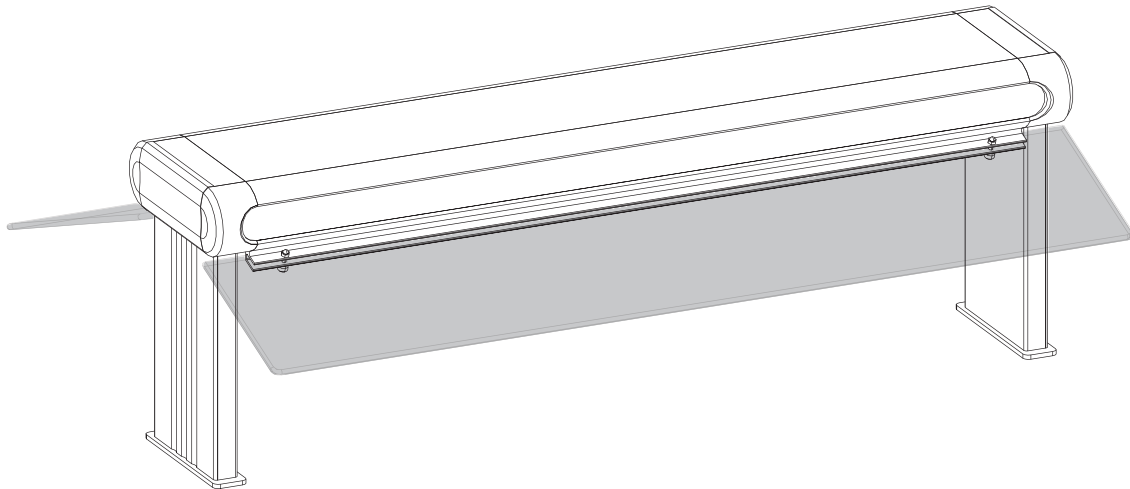
Rampes chauffantes infrarouge

Designer

GR2A and GR2AH Series/Série

Installation and Operating Manual

Manuel d'installation et d'utilisation



⚠ WARNING

Do not operate this equipment unless you have read and understood the contents of this manual! Failure to follow the instructions contained in this manual may result in serious injury or death. This manual contains important safety information concerning the maintenance, use, and operation of this product. If you're unable to understand the contents of this manual, please bring it to the attention of your supervisor. Keep this manual in a safe location for future reference.

English = p 2

⚠ ADVERTENCIA

No opere este equipo al menos que haya leído y comprendido el contenido de este manual! Cualquier falla en el seguimiento de las instrucciones contenidas en este manual puede resultar en un serio lesión o muerte. Este manual contiene importante información sobre seguridad concierne al mantenimiento, uso y operación de este producto. Si usted no puede entender el contenido de este manual por favor pregunte a su supervisor. Almacenar este manual en una localización segura para la referencia futura.

⚠ AVERTISSEMENT

Ne pas utiliser cet équipement sans avoir lu et compris le contenu de ce manuel ! Le non-respect des instructions contenues dans ce manuel peut entraîner de graves blessures ou la mort. Ce manuel contient des informations importantes concernant l'entretien, l'utilisation et le fonctionnement de ce produit. Si vous ne comprenez pas le contenu de ce manuel, veuillez le signaler à votre supérieur. Conservez ce manuel dans un endroit sûr pour pouvoir vous y référer plus tard.

Français = p 23

Important Owner Information	2	Operation	18
Introduction	2	General.....	18
Important Safety Information	3	Maintenance	19
Model Description	4	General.....	19
Model Designation	4	Daily Cleaning	19
Specifications	5	Replacing Display Lights	19
Electrical Rating Chart — GR2A Models.....	5	Troubleshooting Guide	20
Electrical Rating Chart — GR2A-XXD Models.....	9	Options and Accessories	21
Dimensions.....	13	Limited Warranty	22
Installation	14	Authorized Parts Distributors	Back Page
General.....	14		
Electrical Requirements.....	15		
Remote Control Enclosures— RMB Series	16		
Remote Control Enclosures— RMB2 Series	17		

IMPORTANT OWNER INFORMATION

Record the model number, serial number, voltage, and purchase date of the unit in the spaces below (located near the top of the inside of the leg). Please have this information available when calling Hatco for service assistance.

Model No. _____

Serial No. _____

Voltage _____

Date of Purchase _____

Register your unit!

• Completing online warranty registration will prevent delay in obtaining warranty coverage. Access the Hatco website at www.hatcocorp.com, select the *Support* pull-down menu, and click on "Warranty".

Business Hours: 7:00 AM to 5:00 PM Monday–Friday, Central Time (CT)
(Summer Hours: June to September—
7:00 AM to 5:00 PM Monday–Thursday
7:00 AM to 4:00 PM Friday)

Telephone: 800-558-0607; 414-671-6350

E-mail: support@hatcocorp.com



24 Hour 7 Day Parts and Service Assistance available in the United States and Canada by calling 800-558-0607.

Additional information can be found by visiting our web site at www.hatcocorp.com.

INTRODUCTION

Hatco Glo-Ray® *Designer* Infrared Foodwarmers ensure maximum holding and minimize the risk of food-borne illness. Optimum safety and quality is the result of food held at the proper serving temperatures, using Glo-Ray's pre-focused heat patterns. The pre-focused heat pattern prevents foods from being over-cooked in the middle and cooling off around the edges by concentrating higher temperatures to the outer edges of holding surfaces where heat loss is the greatest. Utilizing specially designed reflectors to direct the heat from the element, Glo-Ray safely maintains peak serving temperatures longer, without continuing to cook the food.

The Glo-Ray *Designer* Foodwarmers are available with or without shatter-resistant lights to illuminate the warming area. These bulbs have a special coating that guards against injury and food contamination in the event of breakage.

Hatco Glo-Ray *Designer* Foodwarmers are products of extensive research and field testing. The materials used were selected for maximum durability, attractive appearance, and optimum performance. Every unit is inspected and tested thoroughly prior to shipment.

This manual provides the installation, safety, and operating instructions for Glo-Ray *Designer* Foodwarmers. Hatco recommends all installation, operating, and safety instructions appearing in this manual be read prior to installation or operation of the unit.

Safety information that appears in this manual is identified by the following signal word panels:



WARNING indicates a hazardous situation which, if not avoided, could result in death or serious injury.



CAUTION indicates a hazardous situation which, if not avoided, could result in minor or moderate injury.



NOTICE is used to address practices not related to personal injury.



Read the following important safety information before using this equipment to avoid serious injury or death and to avoid damage to equipment or property.

WARNING

ELECTRIC SHOCK HAZARD:

- Units supplied without an electrical plug require a hardwired connection to on-site electrical system. Connection must be properly grounded and of correct voltage, size, and configuration for electrical specifications of unit. Contact a qualified electrician to determine and perform proper electrical connection.
- Turn OFF power switch, turn off power at circuit breaker, and allow unit to cool before performing any cleaning, adjustments, or maintenance.
- DO NOT submerge or saturate with water. Unit is not waterproof. Do not operate if unit has been submerged or saturated with water.
- This unit is not “jet-proof” construction. Do not use jet-clean spray to clean this unit.
- Do not steam clean or use excessive water on unit.
- Use only Genuine Hatco Replacement Parts when service is required. Failure to use Genuine Hatco Replacement Parts will void all warranties and may subject operators of the equipment to hazardous electrical voltage, resulting in electrical shock or burn. Genuine Hatco Replacement Parts are specified to operate safely in the environments in which they are used. Some aftermarket or generic replacement parts do not have the characteristics that will allow them to operate safely in Hatco equipment.

FIRE HAZARD:

- Locate unit the correct distance from combustible walls and materials. If safe distances are not maintained, discoloration or combustion could occur. Refer to specific installation and mounting information in this manual for proper clearances.
- Make sure to follow the installation information listed below for specific food warmers. If safe distances are not maintained, discoloration or combustion could occur.
 - a. Do not install standard wattage food warmers (GR2A, and GR2AL Series) less than 17” (432 mm) above combustible surfaces.
 - b. Do not install high wattage food warmers (GR2AH Series) less than 20” (508 mm) above combustible surfaces.
 - c. Do not install high wattage food warmers with lights (GR2AHL Series) less than 22” (559 mm) above combustible surfaces.
 - d. Do not install dual food warmers (GR2A-XXD Series) less than 27” (689 mm) above combustible surfaces.
 - e. Do not install high wattage, dual food warmers (GR2AH-XXD and GR2AHL-XXD Series) less than 32” (813 mm) above combustible surfaces.
 - f. Install all Designer food warmers with a minimum distance of 6” (152 mm) from a combustible wall or adjacent surface.

EXPLOSION HAZARD: Do not store or use gasoline or other flammable vapors or liquids in the vicinity of this or any other appliance.

WARNING

Use only light bulbs that meet or exceed (National Sanitation Foundation (NSF) standards and are specifically designed for food holding areas. Breakage of light bulbs not specially coated could result in personal injury and/or food contamination.

This unit is not intended for use by children or persons with reduced physical, sensory, or mental capabilities. Ensure proper supervision of children and keep them away from the unit.

Make sure all operators have been instructed on the safe and proper use of the unit.

Make sure food product has been heated to the proper food-safe temperature before placing in unit. Failure to heat food product properly may result in serious health risks. This unit is for holding pre-heated food product only.

This unit has no “user-serviceable” parts. If service is required on this unit, contact an Authorized Hatco Service Agent or contact the Hatco Service Department at 800-558-0607 or 414-671-6350.

CAUTION

BURN HAZARD: Some exterior surfaces on the unit will get hot. Use caution when touching these areas.

Standard and approved manufacturing oils may smoke up to 30 minutes during initial startup. This is a temporary condition. Operate unit without food product until smoke dissipates.

Strip heaters equipped with incandescent lights that require a circuit breaker larger than 20 amps for the heat element must have a separate circuit breaker for the incandescent lights that is 20 amps or less.

NOTICE

Units are voltage-specific. Refer to specification label for electrical requirements before beginning installation.

To prevent premature failure of components due to excessive heat, remote mounted control switches must be installed outside the heat zone and steam generating equipment.

Damage to any countertop material caused by heat generated from Hatco equipment is not covered under the Hatco warranty. Contact the manufacturer of the countertop material for application information.

Use non-abrasive cleaners and cloths only. Abrasive cleaners and cloths could scratch the finish of the unit, marring its appearance and making it susceptible to soil accumulation.

IMPORTANT—DO NOT use paper towel or glass cleaner to clean polycarbonate surfaces. Paper towel and glass cleaner may scratch the material. Wipe off polycarbonate surfaces using a soft, clean, water-dampened cloth.

Do not locate unit in area with excessive air movement around unit. Avoid areas that may be subject to active air movements or currents (i.e., near exhaust fans/hoods, air conditioning ducts, and exterior doors).

MODEL DESCRIPTION

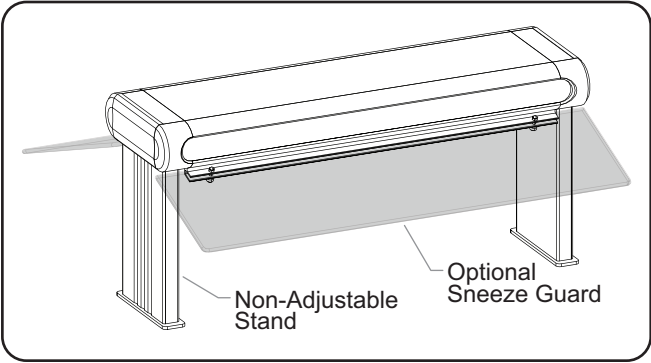
English

All Models

Glo-Ray® *Designer* Infrared Foodwarmers are ideal for holding hot food on pass-through holding areas and waitress pick-up stations. All Designer models are constructed of aluminum.

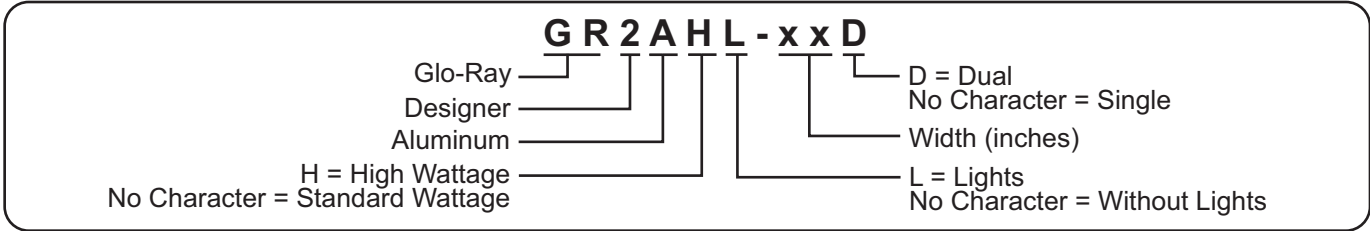
For self-serve applications, models may be equipped with optional easy-to-clean sneeze guards, single- or double-sided mounting.

Glo-Ray *Designer* Infrared Foodwarmers are available in sizes from 22" to 88" (559 to 2235 mm) in width with *Designer* color inset panels. They include prefocused infrared top heat and can be ordered with display lights.



Model GR2A with Optional Sneeze Guard

MODEL DESIGNATION



Electrical Rating Chart — GR2A Models

Model	Voltage	Watts	Amps	Shipping Weight
GR2A-18	120	250	2.1	28 lbs. (13 kg)
	208		1.2	
	240		1.0	
GR2A-24	120	350	2.9	32 lbs. (15 kg)
	208		1.7	
	240		1.5	
GR2A-30	120	450	3.8	35 lbs. (16 kg)
	208		2.2	
	240		1.9	
GR2A-36	120	575	4.8	37 lbs. (17 kg)
	208		2.8	
	240		2.4	
GR2A-42	120	675	5.6	53 lbs. (24 kg)
	208		3.3	
	240		2.8	
GR2A-48	120	800	6.7	64 lbs. (29 kg)
	208		3.9	
	240		3.3	
GR2A-54	120	925	7.7	74 lbs. (34 kg)
	208		4.5	
	240		3.9	
GR2A-60	120	1050	8.8	82 lbs. (37 kg)
	208		5.1	
	240		4.4	
GR2A-66	120	1160	9.7	91 lbs. (41 kg)
	208		5.6	
	240		4.8	
GR2A-72	120	1275	10.6	100 lbs. (45 kg)
	208		6.1	
	240		5.3	
GR2A-84 ‡	120	1500	12.5	120 lbs. (54 kg)
	208		7.2	
	240		6.3	

‡ Infinite control in 120 V requires tandem elements.

NOTE: Shipping weight includes packaging.

Electrical Rating Chart — GR2AH Models

Model	Voltage	Watts	Amps	Shipping Weight
GR2AH-18	120	350	2.9	28 lbs. (13 kg)
	208		1.7	
	240		1.5	
GR2AH-24	120	500	4.2	32 lbs. (15 kg)
	208		2.4	
	240		2.1	
GR2AH-30	120	660	5.5	35 lbs. (16 kg)
	208		3.2	
	240		2.8	
GR2AH-36	120	800	6.7	37 lbs. (17 kg)
	208		3.9	
	240		3.3	
GR2AH-42	120	950	7.9	53 lbs. (24 kg)
	208		4.6	
	240		4.0	
GR2AH-48	120	1100	9.2	64 lbs. (29 kg)
	208		5.3	
	240		4.6	
GR2AH-54	120	1250	10.4	74 lbs. (34 kg)
	208		6.0	
	240		5.2	
GR2AH-60	120	1400	11.7	82 lbs. (37 kg)
	208		6.7	
	240		5.8	
GR2AH-66 ‡	120	1560	13.0	91 lbs. (41 kg)
	208		7.5	
	240		6.5	
GR2AH-72 ‡	120	1725	14.4	100 lbs. (45 kg)
	208		8.3	
	240		7.2	
GR2AH-84 †	208	2050	9.9	120 lbs. (54 kg)
	240		8.5	

† GR2AH-84 units, 120 V, contain tandem heating elements individually controlled.

‡ Infinite control in 120 V requires tandem elements.

NOTE: Shipping weight includes packaging.

Electrical Rating Chart — GR2AL Models

Model	Voltage	Watts	Amps	Shipping Weight
GR2AL-18	120	370	3.1	28 lbs. (13 kg)
	120/208		2.2	
	120/240		2.0	
GR2AL-24	120	470	3.9	32 lbs. (15 kg)
	120/208		2.7	
	120/240		2.2	
GR2AL-30	120	570	4.8	35 lbs. (16 kg)
	120/208		3.2	
	120/240		2.9	
GR2AL-36	120	755	6.3	37 lbs. (17 kg)
	120/208		4.3	
	120/240		3.9	
GR2AL-42	120	855	7.1	53 lbs. (24 kg)
	120/208		4.7	
	120/240		4.3	
GR2AL-48	120	1040	8.7	64 lbs. (29 kg)
	120/208		5.8	
	120/240		5.3	
GR2AL-54	120	1165	9.7	74 lbs. (34 kg)
	120/208		6.4	
	120/240		5.9	
GR2AL-60	120	1350	11.3	83 lbs. (38 kg)
	120/208		7.5	
	120/240		6.9	
GR2AL-66	120	1460	12.2	93 lbs. (42 kg)
	120/208		8.1	
	120/240		7.3	
GR2AL-72	120	1635	13.6	101 lbs. (46 kg)
	120/208		9.1	
	120/240		8.3	
GR2AL-84 ‡	120	1920	16.0	123 lbs. (56 kg)
	120/208		10.7	
	120/240		9.8	

‡ Infinite control in 120 V requires tandem elements.

NOTE: Units rated for 120/208 or 120/240 volt are manufactured with a 120 volt circuit for the display lights and a 208 or 240 volt circuit for the heating element(s).

NOTE: Shipping weight includes packaging.

Electrical Rating Chart — GR2AHL Models

Model	Voltage	Watts	Amps	Shipping Weight
GR2AHL-18	120	470	3.9	28 lbs. (13 kg)
	120/208		2.7	
	120/240		2.2	
GR2AHL-24	120	620	5.2	32 lbs. (15 kg)
	120/208		3.4	
	120/240		3.1	
GR2AHL-30	120	780	6.5	35 lbs. (16 kg)
	120/208		4.2	
	120/240		3.8	
GR2AHL-36	120	980	8.2	37 lbs. (17 kg)
	120/208		5.3	
	120/240		4.8	
GR2AHL-42	120	1130	9.4	53 lbs. (24 kg)
	120/208		6.1	
	120/240		5.5	
GR2AHL-48	120	1340	11.2	64 lbs. (29 kg)
	120/208		7.3	
	120/240		6.6	
GR2AHL-54	120	1490	12.4	74 lbs. (34 kg)
	120/208		8.0	
	120/240		7.2	
GR2AHL-60	120	1700	14.2	83 lbs. (38 kg)
	120/208		9.2	
	120/240		8.3	
GR2AHL-66 ‡	120	1860	15.5	93 lbs. (42 kg)
	120/208		10.0	
	120/240		9.0	
GR2AHL-72 ‡	120	2085	17.4	101 lbs. (46 kg)
	120/208		11.3	
	120/240		10.2	
GR2AHL-84 †	120/208	2470	13.4	123 lbs. (56 kg)
	120/240		12.0	

† GR2AH-84 units, 120 V, contain tandem heating elements individually controlled.

‡ Infinite control in 120 V requires tandem elements.

NOTE: Units rated for 120/208 or 120/240 volt are manufactured with a 120 volt circuit for the display lights and a 208 or 240 volt circuit for the heating element(s).

NOTE: Shipping weight includes packaging.

Electrical Rating Chart — GR2A-XXD Models

Model	Voltage	Watts	Amps	Shipping Weight
GR2A-18D	120	500	4.2	44 lbs. (20 kg)
	208		2.4	
	240		2.1	
GR2A-24D	120	700	5.8	48 lbs. (22 kg)
	208		3.4	
	240		2.9	
GR2A-30D	120	900	7.5	52 lbs. (24 kg)
	208		4.3	
	240		3.8	
GR2A-36D	120	1150	9.6	57 lbs. (26 kg)
	208		5.6	
	240		4.8	
GR2A-42D	120	1350	11.3	66 lbs. (30 kg)
	208		6.5	
	240		5.6	
GR2A-48D	120	1600	13.3	77 lbs. (35 kg)
	208		7.7	
	240		6.7	
GR2A-54D	120	1850	15.4	88 lbs. (40 kg)
	208		8.9	
	240		7.7	
GR2A-60D	120	2100	17.5	97 lbs. (44 kg)
	208		10.1	
	240		8.8	
GR2A-66D	120	2320	19.3	107 lbs. (49 kg)
	208		11.2	
	240		9.7	
GR2A-72D	120	2550	21.3	117 lbs. (53 kg)
	208		12.3	
	240		10.6	
GR2A-84D [■]	120	3000	25.0	138 lbs. (63 kg)
	208		14.4	
	240		12.5	

■ 120 V model with infinite control not available.

NOTE: Shipping weight includes packaging.

Electrical Rating Chart — GR2AH-XXD Models

Model	Voltage	Watts	Amps	Shipping Weight
GR2AH-18D	120	700	5.8	44 lbs. (20 kg)
	208		3.4	
	240		2.9	
GR2AH-24D	120	1000	8.3	48 lbs. (22 kg)
	208		4.8	
	240		4.2	
GR2AH-30D	120	1320	11.0	52 lbs. (24 kg)
	208		6.4	
	240		5.5	
GR2AH-36D	120	1600	13.3	57 lbs. (26 kg)
	208		7.7	
	240		6.7	
GR2AH-42D	120	1900	15.8	66 lbs. (30 kg)
	208		9.1	
	240		7.9	
GR2AH-48D	120	2200	18.3	77 lbs. (35 kg)
	208		10.6	
	240		9.2	
GR2AH-54D	120	2500	20.1	88 lbs. (40 kg)
	208		12.0	
	240		10.4	
GR2AH-60D	120	2800	23.3	97 lbs. (44 kg)
	208		13.5	
	240		11.7	
GR2AH-66D ▣	120	3120	26.0	107 lbs. (49 kg)
	208		15.0	
	240		13.0	
GR2AH-72D ▣	120	3450	28.8	117 lbs. (53 kg)
	208		16.6	
	240		14.4	
GR2AH-84D †	120 *	3800	31.7	138 lbs. (63 kg)
	208		19.7	
	240		17.1	

* Not available in Canada.

▣ 120 V model with infinite control not available.

† GR2AH-84D units, 120 volt, contain tandem heating elements individually controlled.

NOTE: Shipping weight includes packaging.

Electrical Rating Chart — GR2AL-XXD Models

Model	Voltage	Watts	Amps	Shipping Weight
GR2AL-18D	120	370	3.1	44 lbs. (20 kg)
	120/208		2.2	
	120/240		2.2	
GR2AL-24D	120	470	3.9	48 lbs. (22 kg)
	120/208		2.7	
	120/240		2.7	
GR2AL-30D	120	570	4.8	53 lbs. (24 kg)
	120/208		3.2	
	120/240		3.2	
GR2AL-36D	120	755	6.3	58 lbs. (26 kg)
	120/208		4.3	
	120/240		4.3	
GR2AL-42D	120	855	7.1	67 lbs. (30 kg)
	120/208		4.7	
	120/240		4.7	
GR2AL-48D	120	1040	8.7	79 lbs. (36 kg)
	120/208		5.8	
	120/240		5.8	
GR2AL-54D	120 *	1165	9.7	91 lbs. (41 kg)
	120/208		6.4	
	120/240		6.4	
GR2AL-60D	120 *	1350	11.3	100 lbs. (45 kg)
	120/208		7.5	
	120/240		7.5	
GR2AL-66D	120 *	1460	12.2	110 lbs. (50 kg)
	120/208		8.1	
	120/240		8.1	
GR2AL-72D	120 *	1635	13.6	120 lbs. (54 kg)
	120/208		9.1	
	120/240		9.1	
GR2AL-84D ■	120 *	1920	16.0	141 lbs. (64 kg)
	120/208		10.7	
	120/240		10.7	

* Not available in Canada.

■ 120 V model with infinite control not available.

NOTE: Units rated for 120/208 or 120/240 volt are manufactured with a 120 volt circuit for the display lights and a 208 or 240 volt circuit for the heating element(s).

NOTE: Shipping weight includes packaging.

Electrical Rating Chart — GR2AHL-XXD Models

Model	Voltage	Watts	Amps	Shipping Weight
GR2AHL-18D	120	470	3.9	44 lbs. (20 kg)
	120/208		2.7	
	120/240		2.7	
GR2AHL-24D	120	620	5.2	48 lbs. (22 kg)
	120/208		3.4	
	120/240		3.4	
GR2AHL-30D	120	780	6.5	53 lbs. (24 kg)
	120/208		4.2	
	120/240		4.2	
GR2AHL-36D	120	980	8.2	58 lbs. (26 kg)
	120/208		5.3	
	120/240		5.3	
GR2AHL-42D	120 *	1130	9.4	67 lbs. (30 kg)
	120/208		6.1	
	120/240		6.1	
GR2AHL-48D	120 *	1340	11.2	79 lbs. (36 kg)
	120/208		7.3	
	120/240		7.3	
GR2AHL-54D	120 *	1490	12.4	91 lbs. (41 kg)
	120/208		8.0	
	120/240		8.0	
GR2AHL-60D	120 *	1700	14.2	100 lbs. (45 kg)
	120/208		9.2	
	120/240		9.2	
GR2AHL-66D ▣	120 *	1860	15.5	110 lbs. (50 kg)
	120/208		10.0	
	120/240		10.0	
GR2AHL-72D ▣	120 *	2085	17.4	120 lbs. (54 kg)
	120/208		11.3	
	120/240		11.3	
GR2AHL-84D	120/208	2470	13.4	141 lbs. (64 kg)
	120/240		13.4	

▣ 120 V model with infinite control not available.

* Not available in Canada.

NOTE: Units rated for 120/208 or 120/240 volt are manufactured with a 120 volt circuit for the display lights and a 208 or 240 volt circuit for the heating element(s).

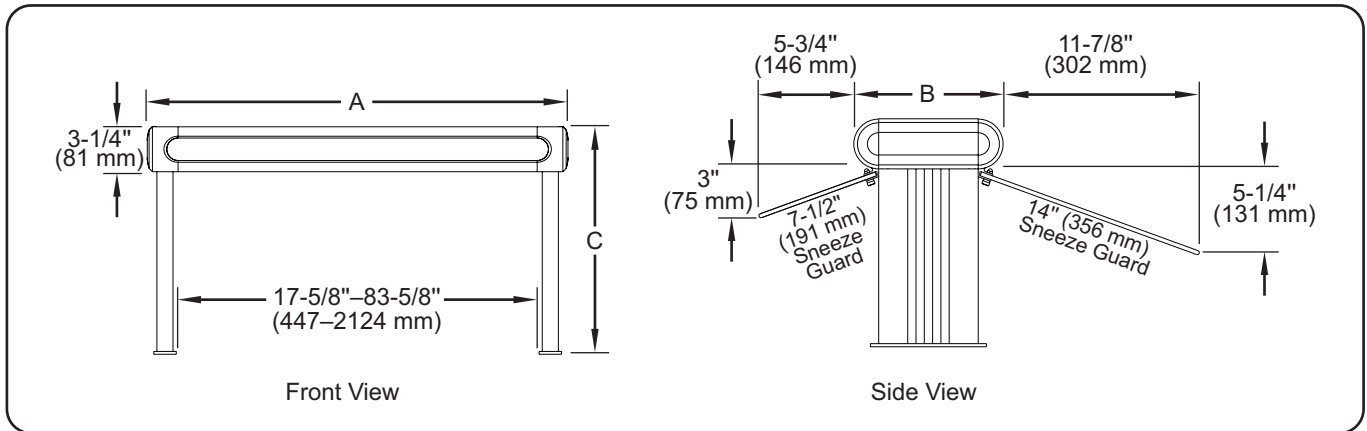
NOTE: Shipping weight includes packaging.

Dimensions

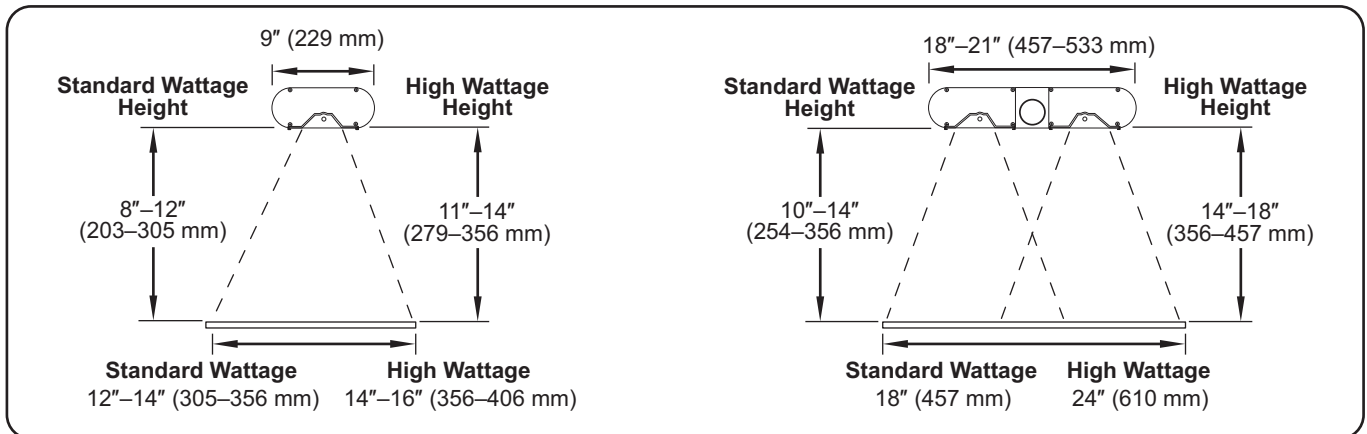
Model	Width (A)	Depth (B)	Height (C)
GR2A and GR2AH	21-1/2"–87-1/2" (546–2223 mm)	9" (229 mm)	17-1/2" (445 mm)
GR2AL and GR2AHL	21-1/2"–87-1/2" (546–2223 mm)	12" (305 mm)	17-1/2" (445 mm)
GR2A-XXD and GR2AH-XXD	21-1/2"–87-1/2" (546–2223 mm)	18"–21" (457–533 mm)	17-1/2" (445 mm)
GR2AL-XXD and GR2AHL-XXD	21-1/2"–87-1/2" (546–2223 mm)	18"–21" (457–533 mm)	17-1/2" (445 mm)

NOTE: Units with 7-1/2" Sneeze Guards, add 5-3/4" (146 mm) per side to Depth (B).
Units with 14" Sneeze Guards, add 11-7/8" (302 mm) per side to Depth (B).

NOTE: Height (C) is with standard 14" (356 mm) stands equipped.
Stands are also available in heights of 10" (254 mm), 12" (305 mm), or 16" (406 mm).



Element Height Requirements



General

Hatco Glo-Ray® Designer Infrared Foodwarmers are shipped with most components pre-assembled. Care should be taken when unpacking the shipping carton to avoid damage to the unit and components enclosed.



ELECTRIC SHOCK HAZARD: All electrical connections must be in accordance with local electrical codes and any other applicable codes. Connections should be made by a qualified, licensed electrician.

FIRE HAZARD:

- Locate unit the correct distance from combustible walls and materials. If safe distances are not maintained, discoloration or combustion could occur. Refer to specific installation and mounting information in this manual for proper clearances.
- Make sure to follow the installation information listed below for specific food warmers. If safe distances are not maintained, discoloration or combustion could occur.
 - a. Do not install standard wattage food warmers (GR2A, and GR2AL Series) less than 17" (432 mm) above combustible surfaces.
 - b. Do not install high wattage food warmers (GR2AH) less than 20" (508 mm) above combustible surfaces.
 - c. Do not install high wattage food warmers with lights (GR2AHL Series) less than 22" (559 mm) above combustible surfaces.
 - d. Do not install dual food warmers (GR2A-XXD Series) less than 27" (689 mm) above combustible surfaces.
 - e. Do not install high wattage, dual food warmers (GR2AH-XXD and GR2AHL-XXD Series) less than 32" (813 mm) above combustible surfaces.
 - f. Install all Designer food warmers with a minimum distance of 6" (152 mm) from a combustible wall or adjacent surface.



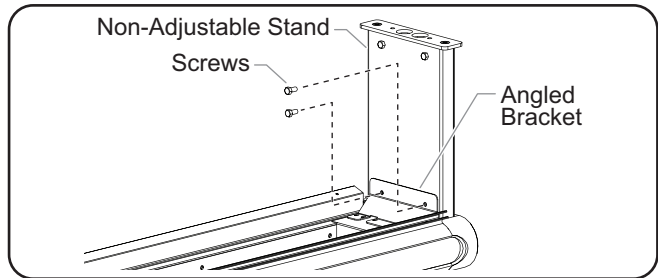
Do not lay unit on the front or back side. Damage to the unit could occur.

1. Remove the unit from the carton.

NOTE: To prevent delay in obtaining warranty coverage, complete online warranty registration. See the IMPORTANT OWNER INFORMATION section for details.

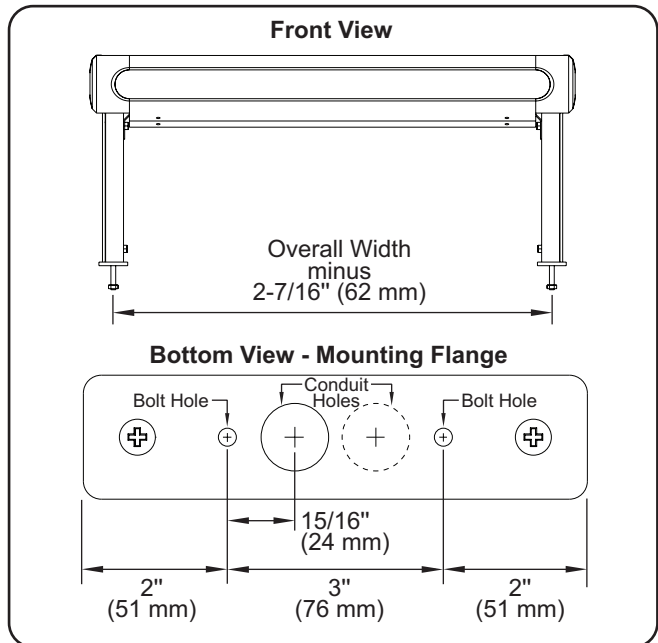
2. Remove tape and protective packaging from all surfaces of unit.

3. With non-adjustable stand cover removed, attach non-adjustable stands on each end of unit using supplied screws.
 - Loosen angled bracket screws to slide bracket tight to stand.



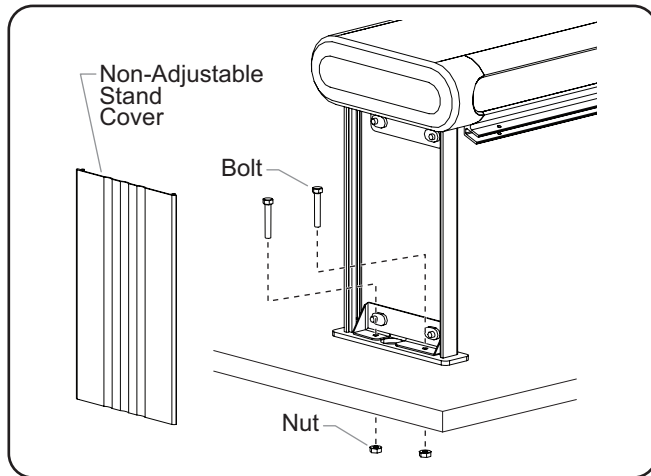
Installing Non-Adjustable Stand to Unit

4. Mark the holes on the mounting surface using the "Mounting Dimensions" illustration below. All models have one conduit hole except models listed below.
 - Two Conduit Holes: All Tandem units, GR2AH-XXD (60-84"), GR2AL-XXD (84"), and GR2AHL-XXD (60-84")



Mounting Dimensions

5. Drill the marked holes.
 - The bolt holes are 1/4" diameter.
 - The conduit hole(s) are 1" diameter.
6. Place the unit into position over the mounting holes with the electrical conduit(s) positioned through the channel and center mounting hole(s).
7. Secure the unit to the mounting surface with 1/4" x 1-1/2" (6 x 38 mm) hex bolts and nuts provided.
8. Install non-adjustable stand covers onto stands by snapping into place.



Installing Unit to Countertop

NOTE: GR2A series units mounted to a metal surface may require a backing plate installed to the underside of the surface in order to increase unit stability. (Backing plate not supplied by Hatco).

Dual Mounting

When mounting units side-by-side, a space not less than 3" (76 mm) must be maintained between units.

Pass-Through

If a pass-through area is 12"–16" (305–406 mm) deep, a standard wattage or high wattage single unit can be used. For a 18"–24" (457–610 mm) deep pass-through area, a dual unit in either standard or high wattage is recommended. Installation of multiple units must have a minimum spacing of 3" (76 mm) between units.

Electrical Requirements

CAUTION

Foodwarmers equipped with incandescent lights that require a circuit breaker larger than 20 amps for the heat element must have a separate circuit breaker for the incandescent lights that is 20 amps or less.

Refer to the SPECIFICATIONS section for specific model, watt, and amp ratings.

Install a supply wire rated for 194°F (90°C). The remote control box (RMB) provides a 1/2" and 3/4" knockout, 6" (152 mm) long pigtail leads and a separate grounding terminal or screw in the wiring compartment. Use wire nuts (not supplied) for connecting supply wires.

Power Supply

Install supply wire and connectors suitable for at least 194°F (90°C).

- Use a minimum of No. 14 AWG copper wire for individual circuits up to 15 amps.
- Use a minimum of No. 12 AWG copper wire for individual circuits 15 to 20 amps.
- Use a minimum of No. 10 AWG copper wire for individual circuits 20 to 25 amps.
- Use a minimum of No. 8 AWG copper wire for individual circuits 25 to 30 amps.

NOTE: Refer to the wiring diagram supplied with the unit and specifications label attached to the unit for specific electrical information.

Remote Control Enclosures — RMB Series

RMB Series remote control enclosures are available in various configurations for use with strip heaters. Remote control enclosures locate controls away from the heat of the unit, increasing the life span of the controls. All models are built in accordance with UL standards with switches, indicator lights, and wiring. Consult the factory for type and location of RMB Series controls for enclosure.

NOTE: RMB Series remote control enclosures require one remote control enclosure per strip heater.

1. Determine the area to mount the RMB box.

IMPORTANT NOTE:

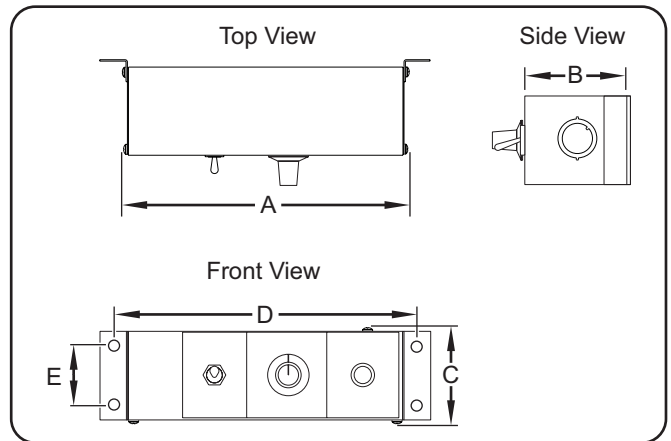
Remote mounted enclosures and control switches must be installed in a cool, dry location as far away from any heat zone as possible. Do not mount enclosures or switches directly on, under, or above unit. Do not mount enclosures or switches in direct contact with any heated surface or near any steam generating equipment.

2. Secure the RMB to the mounting surface using appropriate screws or fasteners.
 - Use the mounting flange on each end of the RMB.

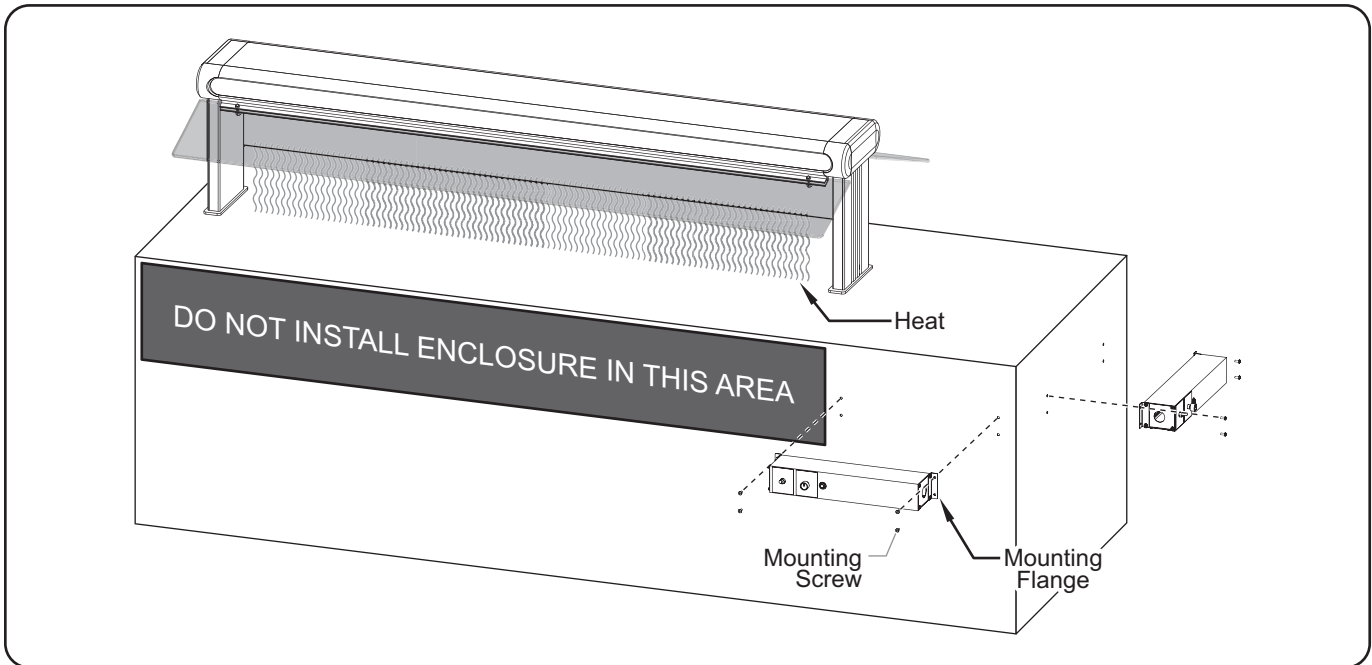
NOTE: Sizing of the power supply wire leads and upstream overcurrent protection must conform with National Electric Code (NEC) requirements as well as all local codes.

Dimensions

Models	Width (A)	Depth (B)	Height (C)	Screw Width (D)	Screw Height (E)
RMB-3 Series	5-15/16" (150 mm)	3" (76 mm)	2-5/8" (67 mm)	6-5/16" (161 mm)	1-5/8" (41 mm)
RMB-7 Series	9-3/8" (239 mm)	3" (76 mm)	2-5/8" (67 mm)	9-13/16" (249 mm)	1-5/8" (41 mm)
RMB-14 Series	14-3/8" (366 mm)	3" (76 mm)	2-5/8" (67 mm)	14-13/16" (376 mm)	1-5/8" (41 mm)
RMB-16 Series	16-3/8" (417 mm)	3" (76 mm)	2-5/8" (67 mm)	16-13/16" (427 mm)	1-5/8" (41 mm)
RMB-20 Series	20-3/8" (518 mm)	3" (76 mm)	2-5/8" (67 mm)	20-13/16" (529 mm)	1-5/8" (41 mm)

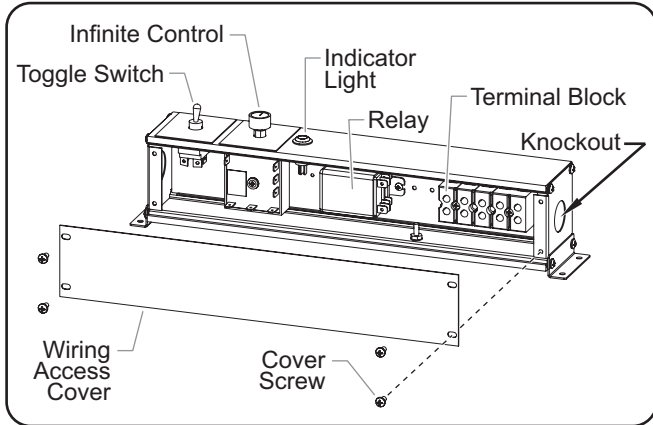


Control Enclosure Dimensions



Remote Mounted Enclosure Installation Locations

3. Remove the wiring access cover on bottom of the control enclosure by removing screws and sliding cover off.
4. Identify and remove the appropriate knockouts from the control enclosure for the electrical connections.
5. Attach conduit connectors to the knockouts in the control enclosure.



Removing Wiring Access Cover

6. Make the electrical connections between the unit and the output terminals on the terminal block or wire leads inside the control enclosure. Refer to the wiring diagrams included with the unit and the RMB control enclosure.

NOTE: To ground the RMB, use either a separate ground wire, metallic conduit, or other locally accepted method in accordance with the National Electric Code (NEC) or Canadian Electric Code (CEC).

7. Tie all ground leads (green and/or green/yellow leads) together and terminate with a UL Listed wire nut.
8. Make the electrical connections between the power supply and the input terminals on the terminal block or wire leads inside the control enclosure. Refer to the wiring diagram included with the RMB control enclosure.

NOTE: Verify which wire leads from the foodwarmer are for phase, neutral, and/or lighting connections, as applicable.

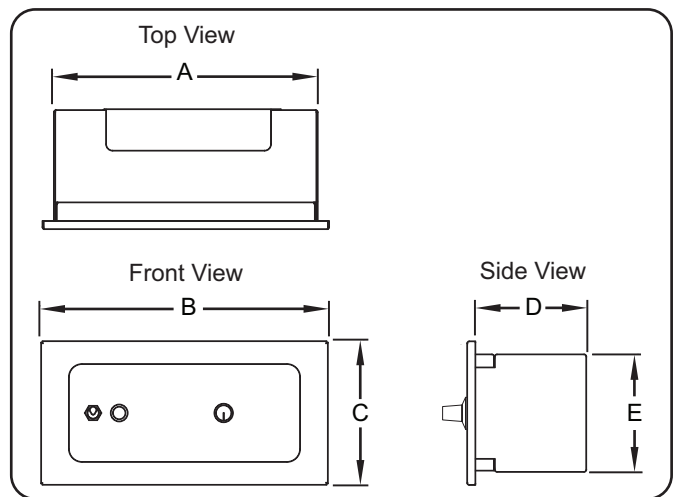
9. Make sure all wire connections are tight, and secure both conduit runs to the conduit connectors.
10. Reinstall the wiring access cover on bottom of the control enclosure.
11. Turn on power at the fused disconnect switch/circuit breaker, turn on the unit, and test operation.

Remote Control Enclosure — RMB2 Series

RMB2 Series remote control enclosures allow multiple strip heaters to be wired to and controlled by a single enclosure. The total amp draw of all connected strip heaters cannot exceed the rating of the remote control enclosure. Consult the factory for information regarding the proper RMB2 Series remote control enclosure for a specific application. Refer to the Instruction Sheet included with the enclosure for installation information.

RMB2 Series Dimensions

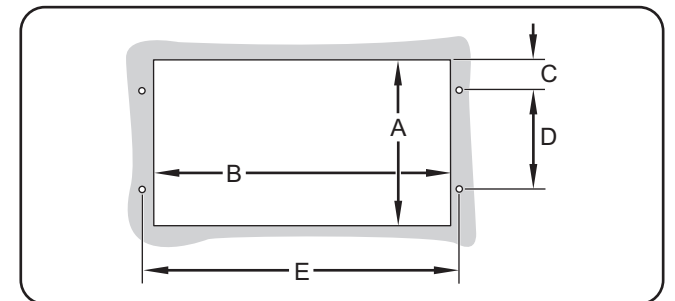
Models	Width (A)	Width (B)	Height (C)	Depth (D)	Height (E)
RMB2-1R	10-1/8" (257 mm)	11" (279 mm)	5-1/2" (140 mm)	4-1/4" (109 mm)	4-5/8" (116 mm)
RMB2-2R	13-1/8" (333 mm)	14" (356 mm)	5-1/2" (140 mm)	4-1/4" (109 mm)	4-5/8" (116 mm)



Dimensions — RMB2

RMB2 Series Cutout Dimensions

Models	Opening Cutout Dimensions		Screw Hole Dimensions		
	(A)	(B)	(C)	(D)	(E)
RMB2-1R	4-3/4" (121 mm)	10-1/8" (257 mm)	1-1/8" (29 mm)	2-1/2" (64 mm)	10-7/16" (265 mm)
RMB2-2R	4-3/4" (121 mm)	13-1/8" (333 mm)	1-1/8" (29 mm)	2-1/2" (64 mm)	13-7/16" (341 mm)



Cutout Dimensions — RMB2

NOTE: Make sure the width of the cutout does not exceed the dimension given for each size enclosure.

General

Hatco Glo-Ray *Designer* Infrared Foodwarmers are designed for ease of operation. Use the following information and procedures to operate the unit.



WARNING

Read all safety messages in the **IMPORTANT SAFETY INFORMATION** section before operating this equipment.



CAUTION

BURN HAZARD: Some exterior surfaces on unit will get hot. Use caution when touching these areas.

Remote Control Enclosure (RMB)

All models are available with a remote control enclosure (RMB). Each heating element is controlled by an I/O (ON/OFF) Toggle Switch or an optional adjustable infinite control. Models equipped with lights have an additional Lights I/O (ON/OFF) toggle switch for controlling the lights. The following is a list of the available controls.

I/O (ON/OFF) Toggle Switch—Turns power on and off to the heating elements and/or the lights (depending on control configuration).

Infinite Control—Turns on the power and controls the output of the heating elements.

Lights I/O (ON/OFF) Toggle Switch—Turns power on and off to the lights.

Indicator Light—Illuminates when power is on, shuts off when power is off.

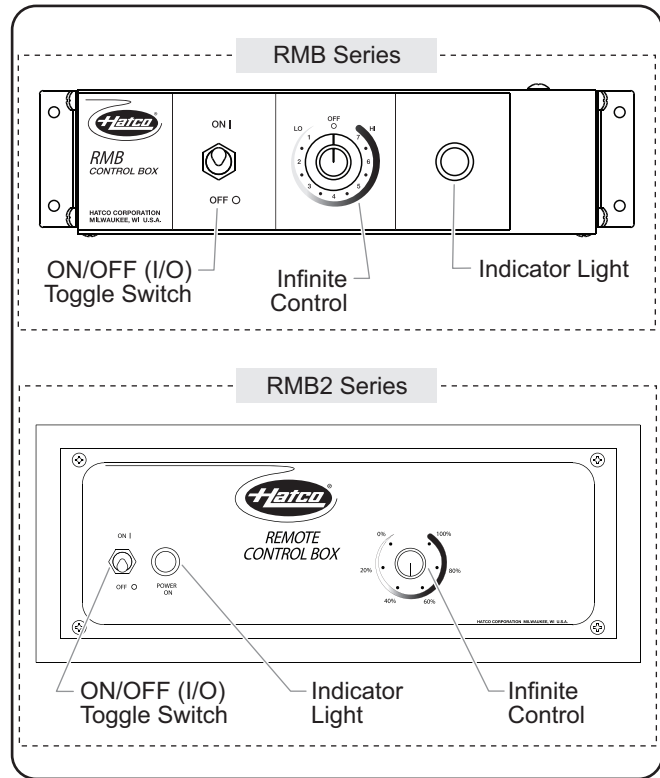
NOTE: Toggle switches cannot be used on circuits that exceed 15 amps. Infinite controls cannot be used on circuits that exceed 12.2 amps.

Startup

1. Turn on the heating element(s). The indicator light (if equipped) will illuminate and the heating elements will energize.
 - If unit is equipped with a I/O (ON/OFF) toggle switch, move the toggle switch to the **I** (ON) position.
 - If unit is equipped with an optional infinite control(s), turn the control to the desired setting.

NOTE: Allow 15–20 minutes to reach operating temperature.

2. On models equipped with display lights, move the light I/O (ON/OFF) toggle switch to the **I** (ON) position.



Remote Control Enclosures

Shutdown

1. Move the I/O (ON/OFF) toggle switch to the **O** (OFF) position or turn the optional infinite control(s) to the **O** (OFF) position.
 - The indicator light (if equipped) will shut off and the heating elements will shut down.
2. On models equipped with display lights, move the light I/O (ON/OFF) toggle switch to the **O** (OFF) position.

General

Hatco Glo-Ray *Designer* Infrared Foodwarmers are designed for maximum durability and performance, with minimum maintenance.

WARNING

ELECTRIC SHOCK HAZARD:

- Turn OFF power switch, turn off power at circuit breaker, and allow unit to cool before performing any cleaning, adjustments, or maintenance.
- DO NOT submerge or saturate with water. Unit is not waterproof. Do not operate if unit has been submerged or saturated with water.
- Do not steam clean or use excessive water on unit.
- Do not clean unit when it is energized or hot.
- Use only Genuine Hatco Replacement Parts when service is required. Failure to use Genuine Hatco Replacement Parts will void all warranties and may subject operators of the equipment to hazardous electrical voltage, resulting in electrical shock or burn. Genuine Hatco Replacement Parts are specified to operate safely in the environments in which they are used. Some aftermarket or generic replacement parts do not have the characteristics that will allow them to operate safely in Hatco equipment.

This unit has no “user-serviceable” parts. If service is required on this unit, contact an Authorized Hatco Service Agent or contact the Hatco Service Department at 800-558-0607 or 414-671-6350.

Daily Cleaning

To preserve the finish of the unit as well as maintain performance, it is recommended that the unit be cleaned daily.

NOTICE

Submerging or saturating unit with water will damage unit and void product warranty.

Use non-abrasive cleaners and cloths only. Abrasive cleaners and cloths could scratch the finish of the unit, marring its appearance and making it susceptible to soil accumulation.

IMPORTANT — DO NOT use paper towel or glass cleaner to clean polycarbonate surfaces. Paper towel and glass cleaner may scratch the material. Wipe off polycarbonate surfaces using a soft, clean, water-dampened cloth.

1. Turn off the unit and allow the unit to cool.
2. Wipe down all exterior and interior surfaces using a damp cloth. A non-abrasive cleaner may be used for difficult stains. Hard to reach areas should be cleaned using small brush and mild soap.
3. If equipped, clean the optional polycarbonate sneeze guards using soft cleaning cloths, mild soap, and water.
NOTICE: Do not use paper towel or glass cleaner on polycarbonate sneeze guards—scratching may occur.

Replacing Display Lights

WARNING

Use only light bulbs that meet or exceed National Sanitation Foundation (NSF) standards and are specifically designed for food holding areas. Breakage of light bulbs not specially coated could result in personal injury and/or food contamination.

The display lights illuminate the warming area. Each bulb has a special coating to guard against injury and food contamination in the event of breakage.

1. Turn off the unit, unplug the power cord, and allow the unit to cool.
2. Unscrew the light bulb from the unit and replace it with a new, specially-coated display light bulb.

NOTE: Hatco shatter-resistant incandescent light bulbs meet NSF standards for food holding and display areas. For 120 V applications, use Hatco P/N 02.30.265.00.

NOTE: Shatter-resistant halogen bulbs are available in place of the standard incandescent bulbs. Halogen bulbs have a special coating to guard against injury and food contamination in the event of breakage. For 120 V units, use Hatco P/N 02.30.081.00.

NOTE: Refer to the OPTIONS AND ACCESSORIES section for Chef LED information.



This unit must be serviced by qualified personnel only. Service by unqualified personnel may lead to electric shock or burn.



ELECTRIC SHOCK HAZARD: Turn OFF power switch, turn off power at circuit breaker, and allow unit to cool before performing any cleaning, adjustments, or maintenance.

Symptom	Probable Cause	Corrective Action
Light bulb not working.	Light bulb defective.	Replace light bulb.
	Power turned off.	Move I/O (on/off) switch to the I (on) position.
Heat is inadequate.	Infinite control set too low.	Adjust infinite control to a higher setting.
	Heating element not working.	Contact an Authorized Hatco Service Agent or Hatco for assistance.
	Infinite control not working properly.	
	Excessive air movement around unit.	Restrict or redirect air movement (i.e., air conditioning duct or exhaust fan) away from unit.
	Unit connected to incorrect power supply.	Contact an Authorized Hatco Service Agent or Hatco for assistance.
Heat is excessive.	Infinite control set too high.	Adjust infinite control to a lower setting.
	Infinite control not working properly.	Contact an Authorized Hatco Service Agent or Hatco for assistance.
	Unit connected to incorrect power supply.	
No heat and no light.	Power turned off.	Move I/O (on/off) switch to the I (on) position.
	Circuit breaker tripped.	Reset circuit breaker. If circuit breaker continues to trip, contact Authorized Service Agent or Hatco for assistance.
Control switches burn out.	Remote control enclosure is mounted too close to the heat zone.	Move remote control enclosure away from the heat zone.
	Switches used are not Hatco supplied.	Genuine Hatco Parts are specified to operate safely and properly in the environment in which they are used. Contact Authorized Service Agent or Hatco to replace switches with Genuine Hatco Replacement Parts.

Troubleshooting Questions?

If you continue to have problems resolving an issue, please contact the nearest Authorized Hatco Service Agency or Hatco for assistance. To locate the nearest Service Agency, log onto the Hatco website at www.hatcocorp.com, select the *Support* pull-down menu, and click on "Find A Service Agent"; or contact the **Hatco Parts and Service Team** at:

Telephone: 800-558-0607 or 414-671-6350

e-mail: support@hatcocorp.com

Infinite Switch

Use the following procedure to install an infinite switch. An infinite switch needs to be installed into an approved electrical box/enclosure (not supplied) by a qualified electrician.

WARNING

ELECTRIC SHOCK HAZARD: Turn OFF power switch, turn off power at circuit breaker, and allow unit to cool before performing any cleaning, adjustments, or maintenance.

NOTICE

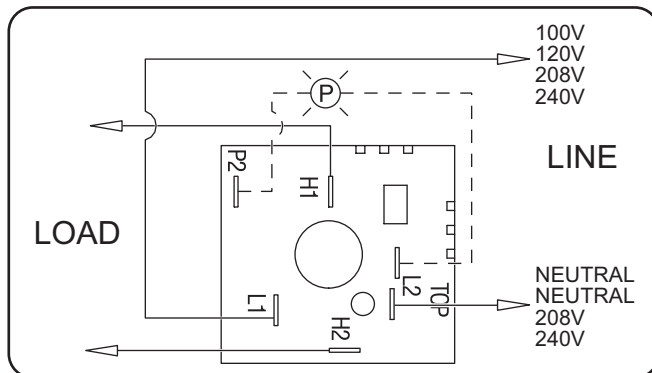
To prevent premature failure of components due to excessive heat, remote mounted control switches must be installed outside the strip heater heat zone.

1. Verify unit is off and disconnected from the power source.
2. Install the infinite switch. Refer to the wiring diagram for proper electrical connections. Make sure the switch is installed with the "H1" terminal oriented on top. This will ensure that the switch functions match the markings on the switch label.
 - Power In: L1 and L2 (for 100 V and 120 V units, L2 is neutral)
 - To Heating Element: H1 and H2

NOTE: The terminals on the infinite switch are specially designed, high-temperature rated terminals that do not require solder connections.

NOTICE

The infinite switch must be installed using the terminals and wires supplied with the switch. Failure to use the supplied Genuine Hatco Replacement Parts will void all warranties and may damage the equipment.



Infinite Switch Wiring Diagram (rear view)

NOTE: Make sure the switch is installed with the "H1" terminal oriented on top ("12 o'clock" position), as shown above. This will ensure that the switch functions match the markings on the switch label.

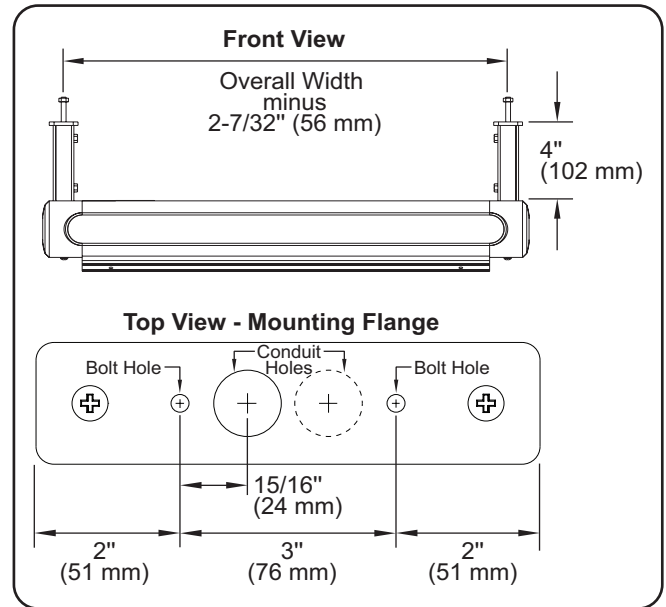
Infinite Switch Kit Part Numbers

Part Number	Voltage
R02.19.160.00	100 volt
R02.19.018.00	120 volt
R02.19.017.00	208 volt
R02.19.019.00	240 volt

Overhead Mounts

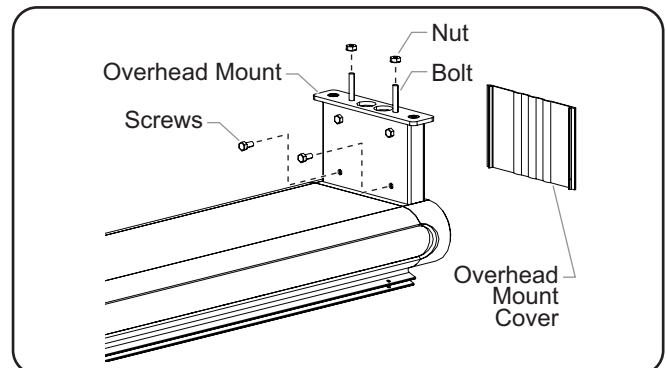
Overhead mounts are available in lieu of 14" (356 mm) standard legs. This is a factory installed option, not available for retrofit. Use the following procedure to install a unit to the ceiling.

1. With overhead mount covers removed, attach overhead mounts on each end of unit using supplied screws.
2. Mark the holes on the ceiling using the "Mounting Dimensions" illustration below. All models have one conduit hole except models listed below.
 - Two Conduit Holes: All Tandem units, GR2AH-xxD (60–84"), GR2AL-xxD (84"), and GR2AHL-xxD (60–84")



Mounting Dimensions

3. Drill the marked holes.
 - The bolt holes are 1/4" (6 mm) diameter.
 - The conduit hole(s) are 1" (25 mm) diameter.
4. Place the unit into position over the mounting holes with the electrical conduit(s) positioned through the channel and center mounting hole(s).
5. Secure the unit to the ceiling with supplied 1/4" x 1-1/2" (6 x 38 mm) hex bolts and nuts.
6. Install overhead mount covers onto overhead mounts by snapping into place.



Installing Overhead Mount

Sneeze Guards

Sneeze guards are available for all models. They are available in sizes of 7-1/2" (191 mm) and 14" (356 mm). Sneeze guards can be installed on either one side or both sides of the unit.

1. Remove protective paper from the sneeze guards.
2. Position the sneeze guard into the channel on the warmer with the mounting holes aligned.
3. Secure the sneeze guard using the thumbscrews and acorn nuts provided. Tighten thumbscrew until snug. Do not over-tighten.

Non-Adjustable Stands

Non-adjustable stands are available in heights of 10" (254 mm), 12" (305 mm), 16" (406 mm), in lieu of 14" (356 mm) standard legs.

Designer Color Inset Panels

Choose from several *Designer* colors to coordinate the inset panels on the foodwarmer to surrounding decór.

NOTE: This option is factory-installed only, not available for retrofit.

Halogen Display Lights

Optional halogen display light bulbs can be ordered in place of the standard incandescent display light bulbs.

Chef LED Bulbs

Chef LED bulbs are available for all units. Chef LED bulbs are LED light bulbs that offer energy savings over incandescent bulbs. Use the following for replacement bulbs:

120 Volts

2700K: R02.30.185.01

3000K: R02.30.195.01

4000K: R02.30.196.01

LIMITED WARRANTY

1. PRODUCT WARRANTY

Hatco warrants the products that it manufactures (the "Products") to be free from defects in materials and workmanship, under normal use and service, for a period of one (1) year from the date of purchase when installed and maintained in accordance with Hatco's written instructions or 18 months from the date of shipment from Hatco. Buyer must establish the Product's purchase date by registering the Product with Hatco or by other means satisfactory to Hatco in its sole discretion.

Hatco warrants the following Product components to be free from defects in materials and workmanship from the date of purchase (subject to the foregoing conditions) for the period(s) of time and on the conditions listed below:

a) **One (1) Year Parts and Labor PLUS One (1) Additional Year Parts-Only Warranty:**

- Conveyor Toaster Elements (metal sheathed)
- Drawer Warmer Elements (metal sheathed)
- Drawer Warmer Drawer Rollers and Slides
- Strip Heater Elements (metal sheathed)
- Display Warmer Elements (metal sheathed air heating)
- Holding Cabinet Elements (metal sheathed air heating)
- Heated Well Elements — HW and HWB Series (metal sheathed)

b) **Two (2) Year Parts and Labor Warranty:**

- Induction Ranges
- Induction Warmers

c) **One (1) Year Parts and Labor PLUS Four (4) Years Parts-Only Warranty:**

- 3CS and FR Tanks

d) **One (1) Year Parts and Labor PLUS Nine (9) Years Parts-Only Warranty on:**

- Electric Booster Heater Tanks
- Gas Booster Heater Tanks

e) **Ninety (90) Day Parts-Only Warranty:**

- Replacement Parts

THE FOREGOING WARRANTIES ARE EXCLUSIVE AND IN LIEU OF ANY OTHER WARRANTY, EXPRESSED OR IMPLIED, INCLUDING BUT NOT LIMITED TO ANY IMPLIED WARRANTY OF MERCHANTABILITY OR FITNESS FOR A PARTICULAR PURPOSE OR PATENT OR OTHER INTELLECTUAL PROPERTY RIGHT INFRINGEMENT. Without limiting the generality of the foregoing, SUCH WARRANTIES DO NOT COVER: Coated incandescent light bulbs, fluorescent lights, heat lamp bulbs, coated halogen light bulbs, halogen heat lamp bulbs, xenon light bulbs, LED light tubes, glass components, and fuses; Product failure in booster tank, fin tube heat exchanger, or other water heating equipment caused by liming, sediment buildup, chemical attack, or freezing; or Product misuse, tampering or misapplication, improper installation, or application of improper voltage.

2. LIMITATION OF REMEDIES AND DAMAGES

Hatco's liability and Buyer's exclusive remedy hereunder will be limited solely, at Hatco's option, to repair or replacement using new or refurbished parts or Product by Hatco or a Hatco-authorized service agency (other than where Buyer is located outside of the United States, Canada, United Kingdom, or Australia, in which case Hatco's liability and Buyer's exclusive remedy hereunder will be limited solely to replacement of part under warranty) with respect to any claim made within the applicable warranty period referred to above. Hatco reserves the right to accept or reject any such claim in whole or in part. In the context of this Limited Warranty, "refurbished" means a part or Product that has been returned to its original specifications by Hatco or a Hatco-authorized service agency. Hatco will not accept the return of any Product without prior written approval from Hatco, and all such approved returns shall be made at Buyer's sole expense. HATCO WILL NOT BE LIABLE, UNDER ANY CIRCUMSTANCES, FOR CONSEQUENTIAL OR INCIDENTAL DAMAGES, INCLUDING BUT NOT LIMITED TO LABOR COSTS OR LOST PROFITS RESULTING FROM THE USE OF OR INABILITY TO USE THE PRODUCTS OR FROM THE PRODUCTS BEING INCORPORATED IN OR BECOMING A COMPONENT OF ANY OTHER PRODUCT OR GOODS.

Informations Importantes pour le Propriétaire.....	23	Mode d'emploi	39
Introduction.....	23	Généralités	39
Consignes de Sécurité Importantes	24	Maintenance.....	40
Description du Modèle.....	25	Généralités	40
Désignation du Modèle	25	Nettoyage Quotidien.....	40
Caractéristiques Techniques	26	Remplacement des voyants	40
Tableau des Caractéristiques électriques — GR2A.....	26	Guide de Dépannage.....	41
Tableau des Caractéristiques électriques — GR2A-XXD ..	30	Options et Accessoires	42
Dimensions.....	34	Garantie Limitée	44
Installation.....	35	Autorisés Distributeurs de Pièces.....	Couverture Arrière
Généralités	35		
Caractéristiques des exigences électriques.....	36		
Compartiment de contrôle à distance—Série RMB	37		
Compartiment de contrôle à distance—Série RMB2	38		

INFORMATIONS IMPORTANTES POUR LE PROPRIÉTAIRE

Noter le numéro de modèle, le numéro de série, le voltage et la date d'achat de votre appareil ci-dessous (situées dans la partie supérieure de l'intérieur du pied). Veuillez avoir cette information à portée de la main si vous appelez Hatco pour assistance.

Modèle No. _____

Numéro de série _____

Voltage _____

Date d'achat _____

Enregistrez votre appareil!

Remplissez la garantie en ligne pour éviter les retards pour faire jouer la garantie. Accédez au site Web Hatco www.hatcocorp.com, sélectionnez le menu déroulant *Support (Assistance)*, puis cliquez sur « Warranty » (Garantie).

Horaires

ouvrables : 7h00 à 17h00 du lundi au vendredi
Heure du Centre (CT)
(Horaires d'été—juin à septembre:
7h00 à 17h00 du lundi au jeudi
7h00 à 16h00 le vendredi)

Téléphone: 800-558-0607; 414-671-6350

Courriel: support@hatcocorp.com



Service d'assistance et de pièces de rechange disponible 7j/7, 24h/24 aux États-Unis et au Canada en composant le 800-558-0607.

Des renseignements supplémentaires sont disponibles sur notre site Web à www.hatcocorp.com.

INTRODUCTION

Les rampes chauffantes infrarouge Glo-Ray® de Hatco garantissent une durée de conservation maximale des aliments et minimisent le risque de maladies d'origine alimentaire. Une sécurité et une qualité optimales sont le résultat du maintien de la nourriture à la bonne température de service grâce aux profils de chaleur prédéterminés de Glo-Ray. Les modèles de transferts thermiques préétablis empêchent les aliments d'être trop cuits au milieu et tièdes sur les bords en concentrant les températures plus élevées vers les bords extérieurs des surfaces de service, où la perte de chaleur est la plus importante. Grâce à des réflecteurs spécialement conçus pour diriger la chaleur depuis l'élément, les rampes chauffantes Glo-Ray permettent aux aliments de conserver des températures maximales de service plus longtemps sans poursuivre la cuisson des aliments.

Les rampes chauffantes Designer Glo-Ray sont livrées avec ou sans ampoules incandescentes antichocs pour éclairer la zone de chauffage. Ces ampoules possèdent un enduit spécial destiné à éviter toute blessure et toute contamination des éléments en cas de casse.

Les rampes chauffantes Designer Glo-Ray de Hatco sont le résultat de longues recherches et de nombreux essais sur le terrain. Les matériaux utilisés ont été sélectionnés pour un maximum de durabilité, une belle apparence et une performance optimale. Chaque appareil est minutieusement inspecté et testé avant expédition.

Ce manuel fournit les instructions d'installation, de sécurité et de fonctionnement des rampes chauffantes Designer Glo-Ray. Hatco vous recommande de lire l'ensemble des instructions d'installation et d'utilisation et toutes les consignes de sécurité dans ce manuel avant d'installer et d'utiliser l'appareil.

Les consignes de sécurité qui apparaissent dans ce manuel sont identifiées par les mots indicateurs suivants:

AVERTISSEMENT

AVERTISSEMENT indique une situation dangereuse qui, si elle n'est pas évitée, peut provoquer la mort ou des blessures graves.

ATTENTION

ATTENTION indique une situation dangereuse qui, si elle n'est pas évitée, peut provoquer des blessures légères ou moyennes.

AVIS

AVIS est utilisé pour des questions sans rapport avec des blessures corporelles.



Lisez l'information de sécurité importante suivante avant d'utiliser cet équipement pour éviter des dommages ou la mort sérieux et pour éviter d'endommager l'équipement ou la propriété.

AVERTISSEMENT

DANGER DE DÉCHARGE ÉLECTRIQUE :

- Les appareils fournis sans cordon ni prise électrique nécessitent un branchement câblé au système électrique sur place. Le câblage doit être mis à la terre de manière appropriée. Son voltage, ses dimensions et sa configuration doivent également correspondre aux spécifications électriques de l'appareil. Contactez un électricien qualifié pour procéder au choix et à l'installation des branchements électriques adaptés.
- Mettez l'interrupteur sur « OFF », coupez le courant au disjoncteur et laissez refroidir l'appareil avant d'effectuer toute opération de nettoyage, de réglage ou d'entretien.
- NE PAS immerger l'appareil ni le saturer d'eau. L'appareil n'est pas étanche à l'eau. Ne pas le faire fonctionner s'il a été immergé ou saturé d'eau.
- Ne pas nettoyer à la vapeur ni utiliser trop d'eau sur l'appareil.
- Pour les réparations, utiliser exclusivement des pièces de rechange Hatco d'origine. Utilisez des pièces détachées Hatco authentiques sous peine d'annuler toutes les garanties et d'exposer l'utilisateur à des tensions électriques dangereuses pouvant entraîner une électrocution ou des brûlures. Les pièces de rechange Hatco d'origine sont conçues pour fonctionner sans danger dans les environnements dans lesquels elles sont utilisées. Certaines pièces de rechange génériques ou de second marché ne présentent pas les caractéristiques leur permettant de fonctionner sans danger dans la matériel Hatco.

RISQUE D'EXPLOSION : Ne conservez pas ou n'utilisez pas d'essence ou d'autres vapeurs ou liquides inflammables à proximité de ce grille-pain ou de tout autre appareil.

N'utilisez que des ampoules électriques qui correspondent ou qui surpassent les normes de la Fondation Nationale des Affaires Sanitaires (NSF) et qui sont spécifiquement conçues pour les espaces de conservation des aliments. Les bris d'une ampoule électrique non-opalisée peuvent provoquer des dommages corporels et/ou une contamination des aliments.

Cet appareil ne doit pas être utilisé par des enfants ou des personnes avec des capacités physiques, sensorielles ou mentales diminuées. Assurez-vous que les enfants sont bien surveillés et tenez-les à l'écart de l'appareil.

Assurez-vous que tous les opérateurs ont été formés à l'utilisation sûre et correcte de l'appareil.

DANGER D'INCENDIE :

- Positionnez l'unité à bonne distance des murs et matériaux combustibles. Si ces distances de sécurité ne sont pas respectées, une décoloration ou une combustion peut se produire. Reportez-vous aux informations spécifiques d'installation et de montage de ce manuel pour connaître les déagements adéquats.

AVERTISSEMENT

DANGER D'INCENDIE :

- Assurez-vous de suivre les informations d'installation ci-dessous pour des rampes chauffantes spécifiques. Si ces distances de sécurité ne sont pas respectées, une décoloration ou une combustion peut se produire.
 - a. N'installez pas de rampes chauffantes de puissance standard (séries GR2A et GR2AL) à moins de 43,2 cm (17") au-dessus d'une surface combustible.
 - b. N'installez pas de rampes chauffantes haute puissance (série GR2AH) à moins de 50,8 cm (20") au-dessus d'une surface combustible.
 - c. N'installez pas de rampes chauffantes haute puissance avec lampes (série GR2AHL) à moins de 55,9 cm (22") au-dessus d'une surface combustible.
 - d. N'installez pas de rampes chauffantes double (série GR2A-XXD) à moins de 68,9 cm (27") au-dessus d'une surface combustible.
 - e. N'installez pas de rampes chauffantes haute puissance (séries GR2AH-XXD et GR2AHL-XXD) à moins de 81,3 cm (32") au-dessus d'une surface combustible.
 - f. Installez toutes les rampes chauffantes Designer à une distance minimale de 15,2 cm (6") par rapport aux murs ou surfaces adjacentes combustibles.

S'assurer que le produit alimentaire a été chauffé à une température adaptée au maintien de sa salubrité avant de le mettre sur l'appareil sous peine de risques graves pour la santé. Cet appareil est destiné au maintien de produits alimentaires préchauffés uniquement.

Cet appareil ne contient aucune pièce réparable par l'utilisateur. Si cet appareil doit être réparé, contacter un réparateur Hatco agréé ou le Service après-vente Hatco au 800-558-0607 ou 414-671-6350.

ATTENTION

DANGER DE BRÛLURE : Certaines surfaces extérieures de l'appareil deviennent chaudes. Toucher ces zones de l'appareil avec précaution.

Les graisses standard et approuvées utilisées lors de la fabrication peuvent provoquer des fumées au cours du démarrage initial pendant 30 minutes. Il s'agit d'un état temporaire. Utilisez l'appareil sans produit alimentaire jusqu'à ce que la fumée disparaisse.

Les rampes chauffantes équipées de lumières incandescentes qui nécessitent un disjoncteur de plus de 20 ampères pour l'élément chauffant doivent avoir un disjoncteur séparé pour les lumières incandescentes de 20 ampères ou moins.

Tableau des Caractéristiques électriques — Modèle GR2A

Modèle	Tension	Intensité	Amps	Poids d'embarquement
GR2A-18	120	250	2.1	28 lbs. (13 kg)
	208		1.2	
	240		1.0	
GR2A-24	120	350	2.9	32 lbs. (15 kg)
	208		1.7	
	240		1.5	
GR2A-30	120	450	3.8	35 lbs. (16 kg)
	208		2.2	
	240		1.9	
GR2A-36	120	575	4.8	37 lbs. (17 kg)
	208		2.8	
	240		2.4	
GR2A-42	120	675	5.6	53 lbs. (24 kg)
	208		3.3	
	240		2.8	
GR2A-48	120	800	6.7	64 lbs. (29 kg)
	208		3.9	
	240		3.3	
GR2A-54	120	925	7.7	74 lbs. (34 kg)
	208		4.5	
	240		3.9	
GR2A-60	120	1050	8.8	82 lbs. (37 kg)
	208		5.1	
	240		4.4	
GR2A-66	120	1160	9.7	91 lbs. (41 kg)
	208		5.6	
	240		4.8	
GR2A-72	120	1275	10.6	100 lbs. (45 kg)
	208		6.1	
	240		5.3	
GR2A-84 ‡	120	1500	12.5	120 lbs. (54 kg)
	208		7.2	
	240		6.3	

‡ Le contrôle infini en 120 V requiert des éléments en tandem.

NOTA: Le poids d'embarquement comprend le matériel d'emballage.

Tableau des Caractéristiques électriques — Modèle GR2AH

Modèle	Tension	Intensité	Amps	Poids d'embarquement
GR2AH-18	120	350	2.9	28 lbs. (13 kg)
	208		1.7	
	240		1.5	
GR2AH-24	120	500	4.2	32 lbs. (15 kg)
	208		2.4	
	240		2.1	
GR2AH-30	120	660	5.5	35 lbs. (16 kg)
	208		3.2	
	240		2.8	
GR2AH-36	120	800	6.7	37 lbs. (17 kg)
	208		3.9	
	240		3.3	
GR2AH-42	120	950	7.9	53 lbs. (24 kg)
	208		4.6	
	240		4.0	
GR2AH-48	120	1100	9.2	64 lbs. (29 kg)
	208		5.3	
	240		4.6	
GR2AH-54	120	1250	10.4	74 lbs. (34 kg)
	208		6.0	
	240		5.2	
GR2AH-60	120	1400	11.7	82 lbs. (37 kg)
	208		6.7	
	240		5.8	
GR2AH-66 ‡	120	1560	13.0	91 lbs. (41 kg)
	208		7.5	
	240		6.5	
GR2AH-72 ‡	120	1725	14.4	100 lbs. (45 kg)
	208		8.3	
	240		7.2	
GR2AH-84 †	208	2050	9.9	120 lbs. (54 kg)
	240		8.5	

† Les appareils GR2AH-84, 120 V, comprennent des éléments chauffants en tandem qui sont contrôlés individuellement.

‡ Le contrôle infini en 120 V requiert des éléments en tandem.

NOTA: Le poids d'embarquement comprend le matériel d'emballage.

Tableau des Caractéristiques électriques — Modèle GR2AL

Modèle	Tension	Intensité	Amps	Poids d'embarquement
GR2AL-18	120	370	3.1	28 lbs. (13 kg)
	120/208		2.2	
	120/240		2.0	
GR2AL-24	120	470	3.9	32 lbs. (15 kg)
	120/208		2.7	
	120/240		2.2	
GR2AL-30	120	570	4.8	35 lbs. (16 kg)
	120/208		3.2	
	120/240		2.9	
GR2AL-36	120	755	6.3	37 lbs. (17 kg)
	120/208		4.3	
	120/240		3.9	
GR2AL-42	120	855	7.1	53 lbs. (24 kg)
	120/208		4.7	
	120/240		4.3	
GR2AL-48	120	1040	8.7	64 lbs. (29 kg)
	120/208		5.8	
	120/240		5.3	
GR2AL-54	120	1165	9.7	74 lbs. (34 kg)
	120/208		6.4	
	120/240		5.9	
GR2AL-60	120	1350	11.3	83 lbs. (38 kg)
	120/208		7.5	
	120/240		6.9	
GR2AL-66	120	1460	12.2	93 lbs. (42 kg)
	120/208		8.1	
	120/240		7.3	
GR2AL-72	120	1635	13.6	101 lbs. (46 kg)
	120/208		9.1	
	120/240		8.3	
GR2AL-84 ‡	120	1920	16.0	123 lbs. (56 kg)
	120/208		10.7	
	120/240		9.8	

‡ Le contrôle infini en 120 V requiert des éléments en tandem.

NOTA: Les appareils prévus pour 120/208 ou 120/240 V sont constitués d'un circuit de 120 V pour les ampoules incandescentes et d'un circuit de 208 ou 240 V pour les éléments chauffants.

NOTA: Le poids d'embarquement comprend le matériel d'emballage.

Tableau des Caractéristiques électriques — Modèle GR2AHL

Modèle	Tension	Intensité	Amps	Poids d'embarquement
GR2AHL-18	120	470	3.9	28 lbs. (13 kg)
	120/208		2.7	
	120/240		2.2	
GR2AHL-24	120	620	5.2	32 lbs. (15 kg)
	120/208		3.4	
	120/240		3.1	
GR2AHL-30	120	780	6.5	35 lbs. (16 kg)
	120/208		4.2	
	120/240		3.8	
GR2AHL-36	120	980	8.2	37 lbs. (17 kg)
	120/208		5.3	
	120/240		4.8	
GR2AHL-42	120	1130	9.4	53 lbs. (24 kg)
	120/208		6.1	
	120/240		5.5	
GR2AHL-48	120	1340	11.2	64 lbs. (29 kg)
	120/208		7.3	
	120/240		6.6	
GR2AHL-54	120	1490	12.4	74 lbs. (34 kg)
	120/208		8.0	
	120/240		7.2	
GR2AHL-60	120	1700	14.2	83 lbs. (38 kg)
	120/208		9.2	
	120/240		8.3	
GR2AHL-66 ‡	120	1860	15.5	93 lbs. (42 kg)
	120/208		10.0	
	120/240		9.0	
GR2AHL-72 ‡	120	2085	17.4	101 lbs. (46 kg)
	120/208		11.3	
	120/240		10.2	
GR2AHL-84 †	120/208	2470	13.4	123 lbs. (56 kg)
	120/240		12.0	

† Les appareils GR2AH-84, 120 V, comprennent des éléments chauffants en tandem qui sont contrôlés individuellement.

‡ Le contrôle infini en 120 V requiert des éléments en tandem.

NOTA: Les appareils prévus pour 120/208 ou 120/240 V sont constitués d'un circuit de 120 V pour les ampoules incandescentes et d'un circuit de 208 ou 240 V pour les éléments chauffants.

NOTA: Le poids d'embarquement comprend le matériel d'emballage.

Tableau des Caractéristiques électriques — Modèle GR2A-XXD

Modèle	Tension	Intensité	Amps	Poids d'embarquement
GR2A-18D	120	500	4.2	44 lbs. (20 kg)
	208		2.4	
	240		2.1	
GR2A-24D	120	700	5.8	48 lbs. (22 kg)
	208		3.4	
	240		2.9	
GR2A-30D	120	900	7.5	52 lbs. (24 kg)
	208		4.3	
	240		3.8	
GR2A-36D	120	1150	9.6	57 lbs. (26 kg)
	208		5.6	
	240		4.8	
GR2A-42D	120	1350	11.3	66 lbs. (30 kg)
	208		6.5	
	240		5.6	
GR2A-48D	120	1600	13.3	77 lbs. (35 kg)
	208		7.7	
	240		6.7	
GR2A-54D	120	1850	15.4	88 lbs. (40 kg)
	208		8.9	
	240		7.7	
GR2A-60D	120	2100	17.5	97 lbs. (44 kg)
	208		10.1	
	240		8.8	
GR2A-66D	120	2320	19.3	107 lbs. (49 kg)
	208		11.2	
	240		9.7	
GR2A-72D	120	2550	21.3	117 lbs. (53 kg)
	208		12.3	
	240		10.6	
GR2A-84D [▣]	120	3000	25.0	138 lbs. (63 kg)
	208		14.4	
	240		12.5	

▣ Le modèle 120 V avec contrôle infini n'est pas disponible.

NOTA: Le poids d'embarquement comprend le matériel d'emballage.

Tableau des Caractéristiques électriques — Modèle GR2AH-XXD

Modèle	Tension	Intensité	Amps	Poids d'embarquement
GR2AH-18D	120	700	5.8	44 lbs. (20 kg)
	208		3.4	
	240		2.9	
GR2AH-24D	120	1000	8.3	48 lbs. (22 kg)
	208		4.8	
	240		4.2	
GR2AH-30D	120	1320	11.0	52 lbs. (24 kg)
	208		6.4	
	240		5.5	
GR2AH-36D	120	1600	13.3	57 lbs. (26 kg)
	208		7.7	
	240		6.7	
GR2AH-42D	120	1900	15.8	66 lbs. (30 kg)
	208		9.1	
	240		7.9	
GR2AH-48D	120	2200	18.3	77 lbs. (35 kg)
	208		10.6	
	240		9.2	
GR2AH-54D	120	2500	20.1	88 lbs. (40 kg)
	208		12.0	
	240		10.4	
GR2AH-60D	120	2800	23.3	97 lbs. (44 kg)
	208		13.5	
	240		11.7	
GR2AH-66D ▣	120	3120	26.0	107 lbs. (49 kg)
	208		15.0	
	240		13.0	
GR2AH-72D ▣	120	3450	28.8	117 lbs. (53 kg)
	208		16.6	
	240		14.4	
GR2AH-84D †	120 *	3800	31.7	138 lbs. (63 kg)
	208		19.7	
	240		17.1	

* Non disponible pour le Canada

▣ Le modèle 120 V avec contrôle infini n'est pas disponible.

† Les appareils GR2AH-84, 120 V, comprennent des éléments chauffants en tandem qui sont contrôlés individuellement.

NOTA: Le poids d'embarquement comprend le matériel d'emballage.

Tableau des Caractéristiques électriques — Modèle GR2AL-XXD

Modèle	Tension	Intensité	Amps	Poids d'embarquement
GR2AL-18D	120	370	3.1	44 lbs. (20 kg)
	120/208		2.2	
	120/240		2.2	
GR2AL-24D	120	470	3.9	48 lbs. (22 kg)
	120/208		2.7	
	120/240		2.7	
GR2AL-30D	120	570	4.8	53 lbs. (24 kg)
	120/208		3.2	
	120/240		3.2	
GR2AL-36D	120	755	6.3	58 lbs. (26 kg)
	120/208		4.3	
	120/240		4.3	
GR2AL-42D	120	855	7.1	67 lbs. (30 kg)
	120/208		4.7	
	120/240		4.7	
GR2AL-48D	120	1040	8.7	79 lbs. (36 kg)
	120/208		5.8	
	120/240		5.8	
GR2AL-54D	120 *	1165	9.7	91 lbs. (41 kg)
	120/208		6.4	
	120/240		6.4	
GR2AL-60D	120 *	1350	11.3	100 lbs. (45 kg)
	120/208		7.5	
	120/240		7.5	
GR2AL-66D	120 *	1460	12.2	110 lbs. (50 kg)
	120/208		8.1	
	120/240		8.1	
GR2AL-72D	120 *	1635	13.6	120 lbs. (54 kg)
	120/208		9.1	
	120/240		9.1	
GR2AL-84D ■	120 *	1920	16.0	141 lbs. (64 kg)
	120/208		10.7	
	120/240		10.7	

* Non disponible pour le Canada

■ Le modèle 120 V avec contrôle infini n'est pas disponible.

NOTA: Les appareils prévus pour 120/208 ou 120/240 V sont constitués d'un circuit de 120 V pour les ampoules incandescentes et d'un circuit de 208 ou 240 V pour les éléments chauffants.

NOTA: Le poids d'embarquement comprend le matériel d'emballage.

Tableau des Caractéristiques électriques — Modèle GR2AHL-XXD

Modèle	Tension	Intensité	Amps	Poids d'embarquement
GR2AHL-18D	120	470	3.9	44 lbs. (20 kg)
	120/208		2.7	
	120/240		2.7	
GR2AHL-24D	120	620	5.2	48 lbs. (22 kg)
	120/208		3.4	
	120/240		3.4	
GR2AHL-30D	120	780	6.5	53 lbs. (24 kg)
	120/208		4.2	
	120/240		4.2	
GR2AHL-36D	120	980	8.2	58 lbs. (26 kg)
	120/208		5.3	
	120/240		5.3	
GR2AHL-42D	120 *	1130	9.4	67 lbs. (30 kg)
	120/208		6.1	
	120/240		6.1	
GR2AHL-48D	120 *	1340	11.2	79 lbs. (36 kg)
	120/208		7.3	
	120/240		7.3	
GR2AHL-54D	120 *	1490	12.4	91 lbs. (41 kg)
	120/208		8.0	
	120/240		8.0	
GR2AHL-60D	120 *	1700	14.2	100 lbs. (45 kg)
	120/208		9.2	
	120/240		9.2	
GR2AHL-66D ▣	120 *	1860	15.5	110 lbs. (50 kg)
	120/208		10.0	
	120/240		10.0	
GR2AHL-72D ▣	120 *	2085	17.4	120 lbs. (54 kg)
	120/208		11.3	
	120/240		11.3	
GR2AHL-84D	120/208	2470	13.4	141 lbs. (64 kg)
	120/240		13.4	

* Non disponible pour le Canada

▣ Le modèle 120 V avec contrôle infini n'est pas disponible.

NOTA: Les appareils prévus pour 120/208 ou 120/240 V sont constitués d'un circuit de 120 V pour les ampoules incandescentes et d'un circuit de 208 ou 240 V pour les éléments chauffants.

NOTA: Le poids d'embarquement comprend le matériel d'emballage.

Dimensions

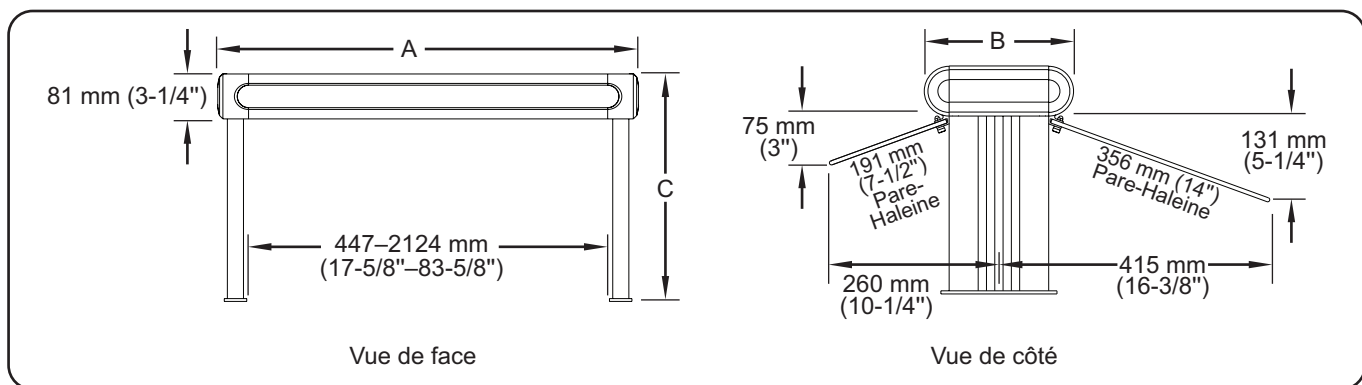
Modèle	Largeur (A)	Profondeur (B)	Hauteur (C)
GR2A et GR2AH	546–2223 mm (21-1/2"–87-1/2")	229 mm (9")	445 mm (17-1/2")
GR2AL et GR2AHL	546–2223 mm (21-1/2"–87-1/2")	305 mm (12")	445 mm (17-1/2")
GR2A-XXD et GR2AH-XXD	546–2223 mm (21-1/2"–87-1/2")	457–533 mm (18"–21")	445 mm (17-1/2")
GR2AL-XXD et GR2AHL-XXD	546–2223 mm (21-1/2"–87-1/2")	457–533 mm (18"–21")	445 mm (17-1/2")

NOTA: Si l'appareil est équipé de pare-haleine de 19,05 cm (7-1/2"), ajouter 14,6 cm (5-3/4") de chaque côté à la profondeur (B).

Si l'appareil est équipé de pare-haleine de 35,6 cm (14"), ajouter 30,2 cm (11-7/8") de chaque côté à la profondeur (B).

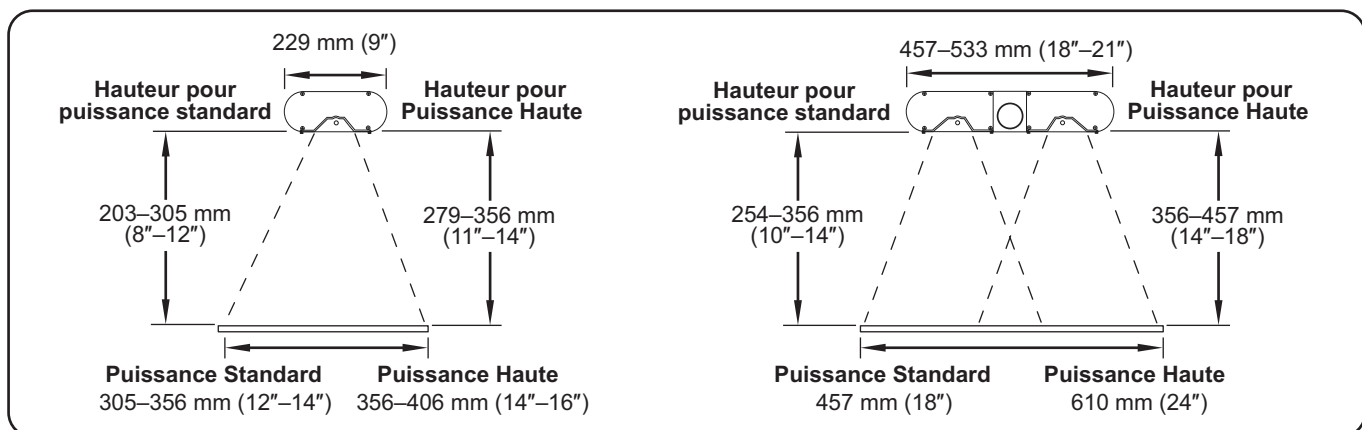
NOTA: La hauteur (C) inclut des pieds standard de 35,6 cm (14").

Les pieds sont également disponibles à des hauteurs de 25,4 cm (10"), 30,5 cm (12") ou 40,6 cm (16").



Dimensions

Caractéristiques de la hauteur de l'élément



Caractéristiques de la hauteur de l'élément

Généralités

La plupart des composants des rampes chauffantes infrarouge Designer Glo-Ray® de Hatco sont déjà assemblés lors de l'expédition. Faites attention lors du déballage pour éviter d'endommager l'appareil et ses composants.

⚠ AVERTISSEMENT

DANGER DE DÉCHARGE ÉLECTRIQUE: Toutes les connexions électriques doivent être conformes aux codes électriques locaux et à tous les autres codes applicables. Les connexions doivent être effectuées par un électricien qualifié et agréé.

DANGER D'INCENDIE :

- Positionnez l'unité à bonne distance des murs et matériaux combustibles. Si ces distances de sécurité ne sont pas respectées, une décoloration ou une combustion peut se produire. Reportez-vous aux informations spécifiques d'installation et de montage de ce manuel pour connaître les dégagements adéquats.
- Assurez-vous de suivre les informations d'installation ci-dessous pour des rampes chauffantes spécifiques. Si ces distances de sécurité ne sont pas respectées, une décoloration ou une combustion peut se produire.
 - a. N'installez pas de rampes chauffantes de puissance standard (séries GR2A et GR2AL) à moins de 43,2 cm (17") au-dessus d'une surface combustible.
 - b. N'installez pas de rampes chauffantes haute puissance (série GR2AH) à moins de 50,8 cm (20") au-dessus d'une surface combustible.
 - c. N'installez pas de rampes chauffantes haute puissance avec lampes (série GR2AHL) à moins de 55,9 cm (22") au-dessus d'une surface combustible.
 - d. N'installez pas de rampes chauffantes double (série GR2A-XXD) à moins de 68,9 cm (27") au-dessus d'une surface combustible.
 - e. N'installez pas de rampes chauffantes haute puissance (séries GR2AH-XXD et GR2AHL-XXD) à moins de 81,3 cm (32") au-dessus d'une surface combustible.
 - f. Installez toutes les rampes chauffantes Designer à une distance minimale de 15,2 cm (6") par rapport aux murs ou surfaces adjacentes combustibles.

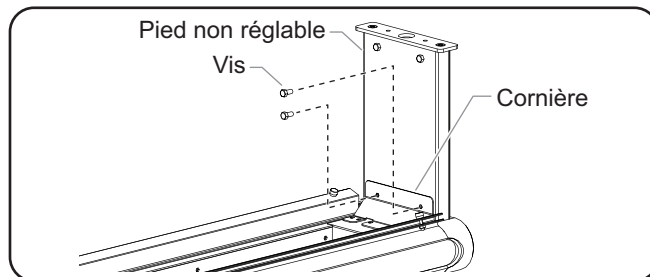
AVIS

Ne posez pas l'appareil sur l'avant ou sur l'arrière sous peine de l'endommager.

1. Retirer l'appareil de sa boîte.

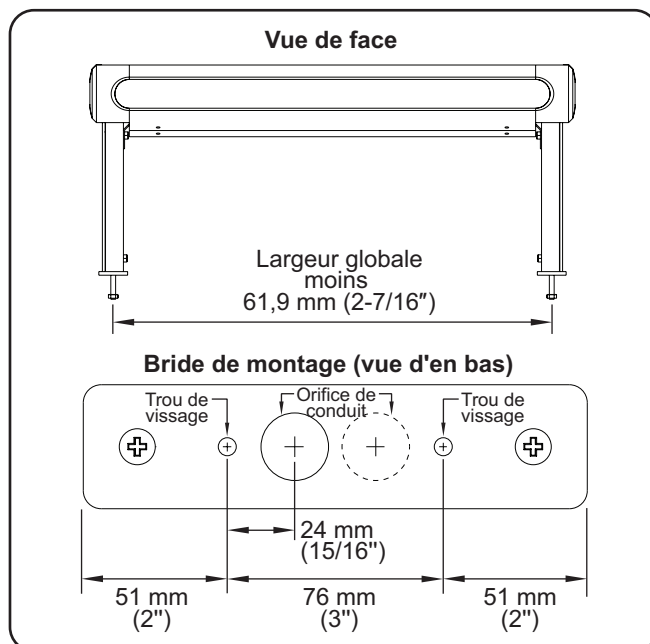
NOTA: Pour éviter un retard de service sous garantie, enregistrez la garantie en ligne. Pour des détails, voir la section INFORMATIONS IMPORTANTES POUR LE PROPRIÉTAIRE.

2. Retirer le ruban et le film de protection de toutes les surfaces de l'appareil.
3. Avec les protections enlevées, fixez les pieds non-réglables à chaque extrémité de l'appareil à l'aide des vis fournies.
 - Desserrez les vis de cornière pour faire glisser la cornière en position et la sécuriser fermement.



Installation des pieds non réglables sur l'appareil

4. Marquez les trous sur la surface de montage en vous référant aux Dimensions de montage illustrées ci-dessous. Tous les modèles ont un orifice de conduit, à l'exception des modèles repris ci-dessous.
 - Deux orifices de conduit : Tous les appareils en tandem, GR2AH-XXD (60-84"), GR2AL-XXD (84"), et GR2AHL-XXD (60-84")

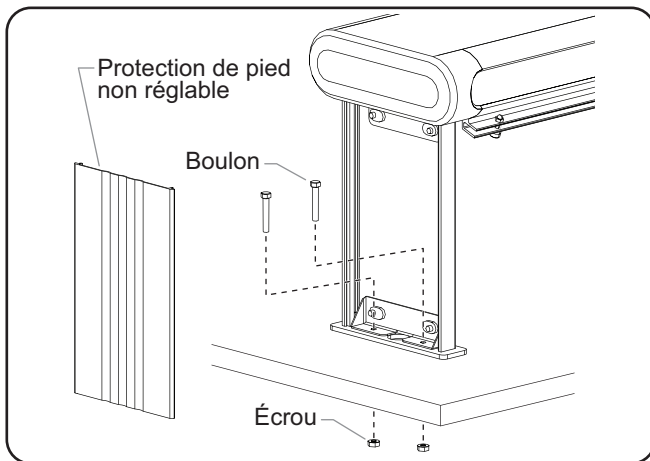


Dimensions de montage

5. Percez les trous marqués.
 - Les trous de vissage ont un diamètre de 6 mm (1/4").
 - Le ou les orifice(s) de conduit ont un diamètre de 25 mm (1").
6. Placez la rampe chauffante sur les trous de montage en introduisant le conduit électrique dans la gorge et le trou de montage central.
7. Fixez l'appareil sur la surface de montage à l'aide des boulons et des écrous de 6 x 38 mm (1/4" x 1-1/2") fournis.

a continué...

8. Remettez les protections sur les pieds non réglables en les accrochant.



Installation de l'appareil sur le comptoir

NOTA: Les appareils de la série GR2A installés sur une surface métallique peuvent nécessiter l'installation d'une plaque de fixation sur la partie inférieure de la surface pour accroître la stabilité de l'appareil. (La plaque de fixation n'est pas fournie par Hatco).

Montage double

Lorsque vous montez des appareils côte à côte, un espace de 7,6 cm (3") minimum doit être respecté entre les appareils.

Passage

Si la zone de passe-plat est profonde de 30,5 cm à 40,6 cm (12" à 16"), vous pouvez utiliser une unité simple de puissance standard ou de haute puissance. Pour une profondeur de zone de passe-plat de 45,7 cm à 61 cm (18" à 24"), nous vous recommandons d'utiliser une unité double de puissance standard ou de haute puissance. L'installation de plusieurs appareils requiert un espacement minimum de 7,6 cm (3") entre les appareils.

Caractéristiques des exigences électriques



Les rampes chauffantes équipées de lumières incandescentes qui nécessitent un disjoncteur de plus de 20 ampères pour l'élément chauffant doivent avoir un disjoncteur séparé pour les lumières incandescentes de 20 ampères ou moins.

Pour connaître la puissance nominale des modèles spécifiques, reportez-vous aux caractéristiques.

Installez un fil d'alimentation pas plus léger qu'un fil de cuivre de calibre 10, prévu pour une utilisation à une température de 90 °C (211 °F). Le boîtier de commande à distance (RMB) fournit une entrée défonçable de 12,7 mm (1/2") et 19,1 mm (3/4"), des fils de raccord flexibles de 152 mm (6") de long et une borne de terre séparée ou une vis dans le compartiment de câblage. Utilisez des capuchons de connexion (non fournis) pour connecter les fils d'alimentation.

Alimentation électrique

Installez un câble d'alimentation et des connecteurs adaptés pour une température d'au moins 194°F (90°C).

- Utilisez au minimum un câble en cuivre n°14 AWG pour les circuits individuels allant jusqu'à 15 ampères.
- Utilisez au minimum un câble en cuivre n°12 AWG pour les circuits individuels allant de 15 à 20 ampères.
- Utilisez au minimum un câble en cuivre n°10 AWG pour les circuits individuels allant de 20 à 25 ampères.
- Utilisez au minimum un câble en cuivre n°8 AWG pour les circuits individuels allant de 25 à 30 ampères.

Compartment de contrôle à distance—RMB

Les compartiments de contrôle à distance de la série RMB sont disponibles dans des tailles et des configurations différentes pour une utilisation avec des réchauffeurs de bande. Les compartiments de contrôle à distance déplacent les contrôles à distance de la chaleur constante de l'appareil, augmentant la longévité des contrôles. Tous les modèles sont construits conformément aux standards UL avec des interrupteurs, des indicateurs lumineux et des câblages. Consultez l'usine pour connaître le type et l'emplacement des contrôles de la série RMB pour le compartiment.

NOTA: Les boîtiers de contrôle à distance de la série RMB nécessitent un boîtier de contrôle à distance par rampe chauffante.

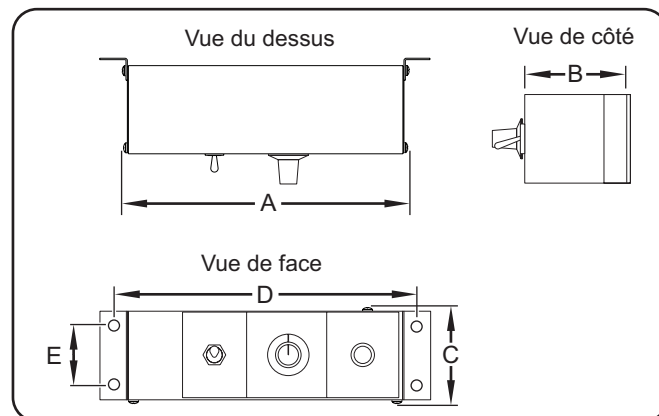
1. Déterminez la zone de montage du boîtier RMB.

REMARQUE IMPORTANTE :

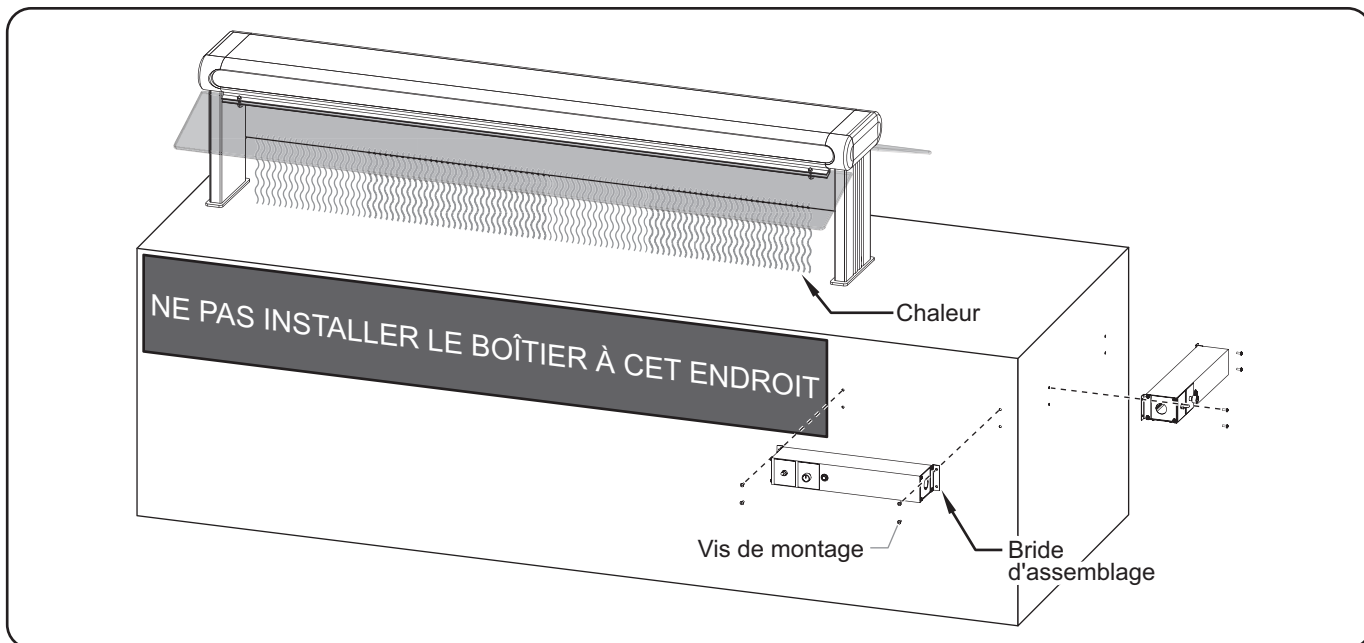
Les interrupteurs et les boîtiers de commande montés à distance doivent être installés dans un endroit frais et sec aussi loin que possible de toute zone de chaleur. Ne montez pas les interrupteurs ou les boîtiers de commande directement sur, en dessous ou au-dessus de l'appareil. Ne montez pas les interrupteurs ou les boîtiers de commande directement en contact avec une surface chauffée ou près d'un équipement générant de la vapeur.

Dimensions

Modèle	Largeur (A)	Profondeur (B)	Hauteur (C)	Largeur de la vis (D)	Hauteur de la vis (E)
RMB-3 Série	150 mm (5-15/16")	76 mm (3")	67 mm (2-5/8")	161 mm (6-5/16")	41 mm (1-5/8")
RMB-7 Série	239 mm (9-3/8")	76 mm (3")	67 mm (2-5/8")	249 mm (9-13/16")	41 mm (1-5/8")
RMB-14 Série	366 mm (14-3/8")	76 mm (3")	67 mm (2-5/8")	376 mm (14-13/16")	41 mm (1-5/8")
RMB-16 Série	417 mm (16-3/8")	76 mm (3")	67 mm (2-5/8")	427 mm (16-13/16")	41 mm (1-5/8")
RMB-20 Série	518 mm (20-3/8")	76 mm (3")	67 mm (2-5/8")	529 mm (20-13/16")	41 mm (1-5/8")



Dimensions de la série RMB

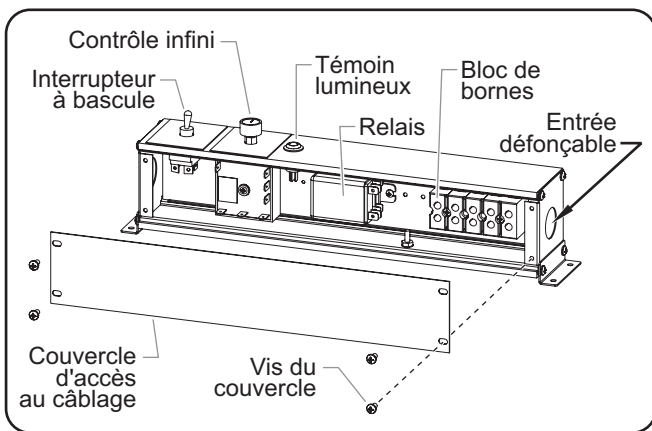


Emplacements pour l'installation du boîtier de commande à distance intégré

- Installez le boîtier RMB sur la surface de montage en utilisant les vis ou les fixations appropriées.
 - Utilisez la bride de montage à chaque extrémité du boîtier RMB.

NOTA: Le dimensionnement des câbles d'alimentation et la protection contre les surtensions en amont doivent être conformes aux exigences du Code national de l'électricité américain (NEC) et de tous les codes locaux.

- Enlevez le couvercle d'accès au câblage sur le dessous du boîtier de commande en retirant les vis et en faisant glisser le couvercle.
- Repérez et retirez les entrées défonçables appropriées du boîtier de commande pour le raccordement électrique.
- Fixez des raccords de conduit aux entrées défonçables du boîtier de commande.



Enlever le couvercle d'accès au câblage

- Procédez au raccordement électrique entre l'appareil et les bornes de sortie du bornier ou les câbles électriques à l'intérieur du boîtier de commande. Consultez les schémas de câblage inclus avec l'appareil et le boîtier de commande RMB.

NOTE: Pour mettre à la terre le boîtier RMB, utilisez un fil séparé de mise à la terre, un conduit métallique ou une autre méthode conforme au Code national de l'électricité américain (NEC) ou au Code canadien de l'électricité (CEC).

- Attachez tous les fils de mise à la terre (fils verts et/ou verts/jaunes) ensemble avec un serre-fils homologué UL.
- Procédez au raccordement électrique entre l'alimentation et les bornes d'entrée du bornier ou les câbles électriques à l'intérieur du boîtier de commande. Consultez les schémas de câblage inclus avec le boîtier de commande RMB.

NOTA: Vérifiez quels câbles électriques du présentoir sont des connecteurs de phase, neutre et/ou d'éclairage, selon le cas.

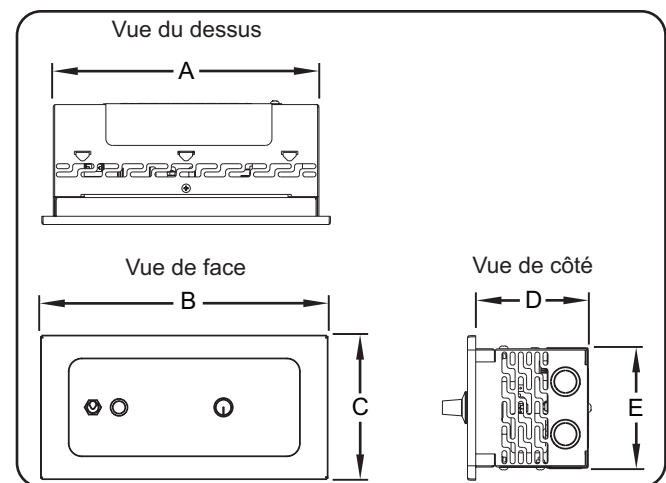
- Assurez-vous que tous les raccordements sont bien serrés et fixez les deux conduits aux raccords de conduit.
- Remettez le couvercle d'accès au câblage sur le dessous du boîtier de commande.
- Mettez l'interrupteur-sectionneur à fusibles/le disjoncteur sous tension, allumez l'appareil et vérifiez son fonctionnement.

Compartiment de contrôle à distance—RMB2

Les compartiments de contrôle à distance de la série RMB2 permettent à plusieurs réchauffeurs de bande d'être câblé et contrôlés par un compartiment unique. L'ampérage total de tous les réchauffeurs de bande connectés ne peut pas excéder la notation du compartiment de contrôle à distance. Consultez l'usine pour des informations concernant le compartiment de contrôle à distance de la série RMB2 adapté pour une application spécifique. Pour plus d'informations sur l'installation, consultez la fiche d'instructions incluse avec le boîtier de commande.

Dimensions de la série RMB2

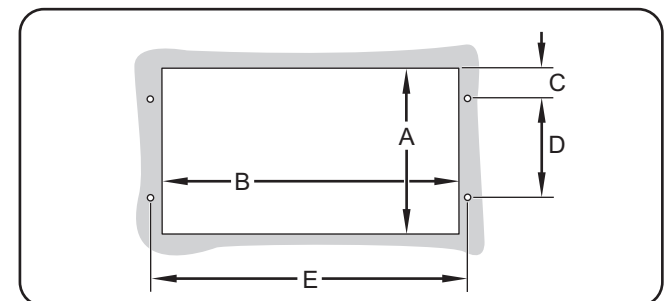
Modèle	Largeur (A)	Largeur (B)	Hauteur (C)	Profondeur (D)	Hauteur (E)
RMB2-1R	257 mm (10-1/8")	279 mm (11")	140 mm (5-1/2")	109 mm (4-1/4")	116 mm (4-5/8")
RMB2-2R	333 mm (13-1/8")	356 mm (14")	140 mm (5-1/2")	109 mm (4-1/4")	116 mm (4-5/8")



Dimensions de la série RMB2

Dimensions de la découpe de la série RMB2

Modèle	Dimensions de la découpe de l'ouverture		Dimensions de la cavité pour la vis		
	(A)	(B)	(C)	(D)	(E)
RMB2-1R	356 mm (4-3/4")	257 mm (10-1/8")	29 mm (1-1/8")	64 mm (2-1/2")	265 mm (10-7/16")
RMB2-2R	356 mm (4-3/4")	333 mm (13-1/8")	29 mm (1-1/8")	64 mm (2-1/2")	341 mm (13-7/16")



Dimensions de la découpe de la série RMB2

NOTA: Assurez-vous que la largeur de la découpe ne dépasse pas la dimension donnée pour chaque taille de boîtier.

Généralités

Les rampes chauffantes infrarouge Designer Glo-Ray de Hatco sont conçues pour être simples d'utilisation. Utilisez les informations et les procédures suivantes pour faire fonctionner l'appareil.

⚠ AVERTISSEMENT

Lire tous les messages de sécurité de la section Consignes de sécurité importantes avant d'utiliser ce matériel.

⚠ ATTENTION

DANGER DE BRÛLURE : Certaines surfaces extérieures de l'appareil deviennent chaudes. Toucher ces zones de l'appareil avec précaution.

Boîtier de contrôle à distance (RMB)

Tous les modèles sont disponibles d'un boîtier de contrôle à distance (RMB). Chaque élément chauffant est contrôlé par un interrupteur à bascule ON/OFF (marche/arrêt)(I/O) ou un contrôle infini réglable en option. Les modèles équipés de lampes disposent d'un interrupteur à bascule I/O (marche/arrêt) supplémentaire pour contrôler les lampes. Voici une liste des contrôles disponibles.

Interrupteur à bascule I/O (marche/arrêt)—Permet d'allumer et d'éteindre les éléments chauffants et/ou les lampes (selon la configuration du contrôle).

Contrôle infini—Allume l'alimentation et commande la production des éléments chauffants.

Interrupteur à bascule I/O (marche/arrêt) de l'éclairage—Allume ou éteint les lumières.

Témoin lumineux—S'allume lorsque le courant est allumé, s'éteint lorsque le courant est éteint.

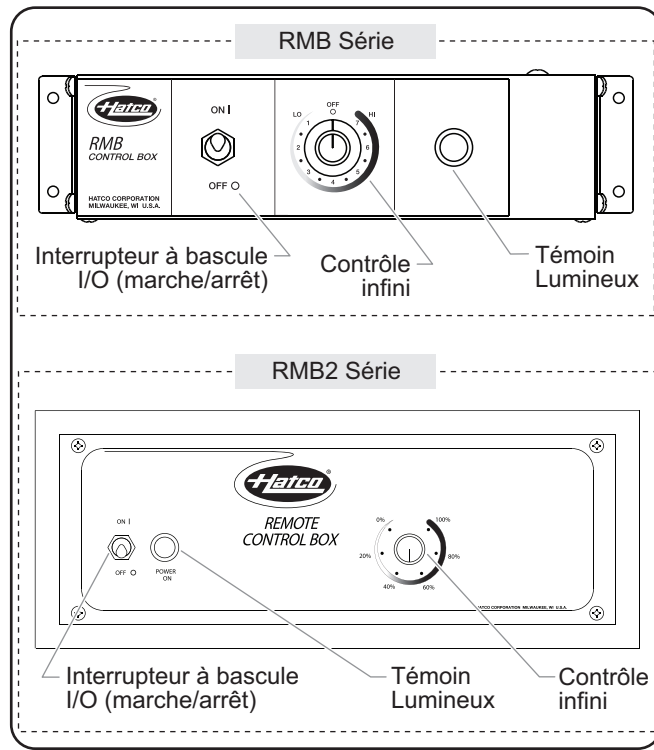
NOTA: Les interrupteurs à bascule ne peuvent pas être utilisés sur des circuits qui dépassent 15 ampères. Le contrôle infini ne peut pas être utilisé sur des circuits qui dépassent 12,2 ampères.

Mise en marche

- Allumez l'élément chauffant (ou les éléments chauffants). Le témoin lumineux (si l'unité est en équipée) s'allumera, et les éléments chauffants seront alimentés.
 - Si l'appareil est équipé d'un interrupteur à bascule I/O (marche/arrêt), placez-le en position I (marche).
 - Si l'appareil est équipé de contrôles infinis (en option), tournez le contrôle sur le réglage désiré.

NOTA: Atteindre la température de fonctionnement demande 15-20 minutes.

- Sur les modèles équipés de lampes, placez l'interrupteur à bascule I/O (marche/arrêt) de l'éclairage en position I (marche).



Arrêt

- Placez l'interrupteur à bascule I/O (marche/arrêt) sur la position O (arrêt) et/ou placez le(s) contrôle(s) infini(s) en option sur la position O (arrêt).
 - Le témoin lumineux (s'il est équipé) s'éteindra, et les éléments chauffants s'éteindront.
- Sur les modèles équipés de lampes, placez l'interrupteur à bascule I/O (marche/arrêt) de l'éclairage sur la position O (arrêt).

Généralités

Les rampes chauffantes infrarouge Designer Glo-Ray de Hatco sont conçues pour une durabilité et des performances maximum, avec un minimum d'entretien.

AVERTISSEMENT

DANGER DE DÉCHARGE ÉLECTRIQUE :

- Mettez l'interrupteur sur « OFF », coupez le courant au disjoncteur et laissez refroidir l'appareil avant d'effectuer toute opération de nettoyage, de réglage ou d'entretien.
- **NE PAS immerger l'appareil ni le saturer d'eau.** L'appareil n'est pas étanche à l'eau. Ne pas le faire fonctionner s'il a été immergé ou saturé d'eau.
- Ne pas nettoyer l'appareil lorsqu'il est sous tension ou chaud.
- Ne pas nettoyer à la vapeur ni utiliser trop d'eau sur l'appareil.
- Pour les réparations, utiliser exclusivement des pièces de rechange Hatco d'origine. Utilisez des pièces détachées Hatco authentiques sous peine d'annuler toutes les garanties et d'exposer l'utilisateur à des tensions électriques dangereuses pouvant entraîner une électrocution ou des brûlures. Les pièces de rechange Hatco d'origine sont conçues pour fonctionner sans danger dans les environnements dans lesquels elles sont utilisées. Certaines pièces de rechange génériques ou de second marché ne présentent pas les caractéristiques leur permettant de fonctionner sans danger dans la matériel Hatco.

Cet appareil ne contient aucune pièce réparable par l'utilisateur. Si cet appareil doit être réparé, contacter un réparateur Hatco agréé ou le Service après-vente Hatco au 800-558-0607 ou 414-671-6350.

Nettoyage Quotidien

Pour préserver la finition de l'appareil et maintenir la performance, il est recommandé de nettoyer tous les jours l'appareil.

AVIS

Plonger l'appareil dans l'eau, ou le saturer d'eau, endommage l'appareil et entraîne l'annulation de sa garantie.

Utilisez uniquement des nettoyants non abrasifs et des chiffons doux. Les chiffons et nettoyant abrasifs pourraient rayer la finition de l'unité, altérant son apparence et la rendant vulnérable à l'accumulation de saleté.

IMPORTANT : n'utilisez PAS de serviettes en papier ou de nettoyant pour vitres pour nettoyer les surfaces en polycarbonate. Les serviettes en papier et le nettoyant pour vitres peuvent rayer l'équipement. Essuyez les surfaces en polycarbonate à l'aide d'un chiffon doux, propre et humide.

1. Mettre l'appareil hors tension et laisser refroidir l'appareil.
2. Essuyez l'ensemble des surfaces intérieures et extérieures à l'aide d'un chiffon humide. Vous pourrez utiliser un nettoyant non-abrasif pour éliminer les tâches difficiles. Les recoins difficiles d'accès devront être nettoyés à l'aide d'une petite brosse et de savon doux.

3. Si votre appareil est équipé de pare-haleines en polycarbonate, nettoyez-les à l'aide d'un chiffon doux, de savon doux et d'eau. **AVIS : n'utilisez pas de serviette en papier ou de nettoyant pour vitres sur les pare-haleines en polycarbonate.** Leur contact pourrait rayer votre matériel.

Remplacement des voyants

AVERTISSEMENT

N'utilisez que des ampoules électriques qui correspondent ou qui sont supérieures aux normes de la National Sanitation Foundation (NSF) et qui sont spécifiquement conçues pour les espaces de conservation des aliments. Le bris d'une ampoule électrique non équipée d'un enduit adapté peut causer des dommages corporels ou une contamination des aliments.

Les voyants éclairent la zone de réchauffement. Chaque ampoule est recouverte d'un enduit spécial pour éviter toute blessure et toute contamination des éléments en cas de bris.

1. Éteignez l'appareil, débranchez le cordon d'alimentation et laissez l'appareil refroidir.
2. Dévissez l'ampoule de l'appareil et remplacez-la par une nouvelle ampoule d'affichage spécialement enduite.

NOTA: Les ampoules incandescentes antichocs Hatco répondent aux normes NSF en matière de zones de conservation et de présentation des aliments. Pour les applications à 120 V, utilisez la référence 02.30.265.00 de Hatco.

NOTA: Des ampoules halogènes antichocs peuvent être commandées pour remplacer les ampoules à incandescence classiques. Les ampoules halogènes sont dotées d'un enduit spécial qui protège contre les blessures et la contamination des aliments en cas de bris. Pour les appareils de 120 V, utilisez la référence 02.30.081.00 de Hatco.

NOTA: Consultez la section OPTIONS ET ACCESSOIRES pour obtenir des informations sur les DEL Chef.

⚠ AVERTISSEMENT

La réparation de cet appareil doit être confiée exclusivement à du personnel qualifié. Les réparations par des personnes non qualifiées peuvent provoquer des décharges électriques et des brûlures.

⚠ AVERTISSEMENT

DANGER DE DÉCHARGE ÉLECTRIQUE: Mettez l'interrupteur sur « OFF », coupez le courant au disjoncteur et laissez refroidir l'appareil avant d'effectuer toute opération de nettoyage, de réglage ou d'entretien.

Symptôme	Cause Probable	Solution
L'ampoule ne fonctionne pas.	L'ampoule est défectueuse.	Remplacez l'ampoule.
	Alimentation coupée.	Placez l'interrupteur à bascule I/O (marche/arrêt) sur I (marche).
La chaleur est inadaptée.	Le contrôle infini est réglé sur un niveau trop bas.	Réglez le contrôle infini sur un niveau plus élevé.
	L'élément chauffant ne fonctionne pas.	Contactez votre agent de maintenance agréé ou Hatco pour assistance.
	Le contrôle infini ne fonctionne pas correctement.	
	Il y a un mouvement d'air excessif autour de l'appareil.	Restreignez ou redirigez le déplacement d'air (ex : la gaine de climatisation ou le ventilateur d'extraction) à distance de l'appareil.
La chaleur est excessive.	L'appareil est branché à une alimentation électrique inappropriée.	Contactez votre agent de maintenance agréé ou Hatco pour assistance.
	Le contrôle infini est réglé sur un niveau trop élevé.	Réglez le contrôle infini sur un niveau plus bas.
	Le contrôle infini ne fonctionne pas correctement.	Contactez votre agent de maintenance agréé ou Hatco pour assistance.
L'appareil est branché à une alimentation électrique inappropriée.		
Pas de chaleur ni de lumière.	Alimentation coupée.	Placez l'interrupteur à bascule I/O (marche/arrêt) sur I (marche).
	Le disjoncteur s'est déclenché.	Redémarrez le disjoncteur. Si le disjoncteur continue de se déclencher, contactez un agent de service agréé ou Hatco pour obtenir de l'aide.
Les interrupteurs de commande ont grillé.	Le boîtier de contrôle à distance est installé trop près de la zone de chauffe.	Éloignez le boîtier de contrôle à distance de la zone de chauffe.
	Les interrupteurs utilisés ne sont pas fournis par Hatco.	Les pièces authentiques Hatco sont conçues pour fonctionner de manière sûre et adaptée dans l'environnement dans lequel elles sont utilisées. Contactez un agent agréé ou Hatco pour remplacer des interrupteurs par des pièces de remplacement authentiques Hatco.

Vous avez des questions en ce qui concerne les pannes?

Si le problème persiste, veuillez contacter l'agence d'entretien agréée Hatco la plus proche ou Hatco pour obtenir une assistance. Pour trouver l'agence d'entretien la plus proche, rendez-vous sur le site Internet de Hatco (www.hatcocorp.com) et sélectionnez le menu déroulant *Support (Assistance)*, puis cliquez sur « Find A Service Agent » (trouver un agent d'entretien); ou contactez l'équipe d'entretien et de pièces détachées de Hatco :

Numéro de téléphone: 800-558-0607 ou 414-671-6350

Courriel: support@hatcocorp.com

Pare-haleine

Des pare-haleine sont disponibles pour tous les modèles. Ils sont disponibles dans les tailles suivantes : 191 mm (7-1/2") et 356 mm (14"). Les pare-haleine peuvent être installés sur un seul côté ou des deux côtés de l'unité.

1. Retirez le papier protecteur du pare-haleine.
2. Placez le pare-haleine dans la gorge de la rampe chauffante avec les trous de montage alignés.
3. Fixez le pare-haleine à l'aide des vis à serrage à main et des écrous borgnes fournis. Serrez les vis à serrage à main jusqu'à ce qu'elles se bloquent. Ne les serrez pas trop fort.

Pieds non réglables

Des pieds non réglables sont disponibles à des hauteurs de 254 mm (10"), 305 mm (12"), 406 mm (16") à la place des pieds standard de 356 mm (14").

Panneaux insérés aux couleurs Designer

Faites votre choix parmi la large gamme de couleurs Designer pour coordonner les panneaux insérés des présentoirs chauffants avec le décor.

NOTA: cette option sera initialement installée à l'usine et ne pourra pas être ajoutée par la suite.

Commutateur à progression

Suivez la procédure suivante pour installer un commutateur à progression. Ce commutateur doit être installé par un électricien qualifié dans une boîte/un boîtier électrique homologué (non fourni).

⚠ AVERTISSEMENT

DANGER DE DÉCHARGE ÉLECTRIQUE : Tournez le interrupteur sur « ARRÊT » pour éteindre la rampe, débranchez le cordon d'alimentation/coupez le courant au disjoncteur et laissez refroidir l'unité avant d'effectuer toute opération de nettoyage, de réglage ou d'entretien.

AVIS

Pour éviter une défaillance prématurée des composants due à une chaleur excessive, les interrupteurs de commande à distance doivent être installés à l'extérieur de la zone de chaleur des rampes chauffantes.

1. Vérifiez que l'appareil est éteint et déconnecté de la source d'alimentation.
2. Installez le commutateur à progression. Consultez le schéma de câblage pour un raccordement électrique approprié. Assurez-vous que le commutateur est installé avec la borne H1 orientée vers le haut. Vous vous assurez ainsi que les fonctions du commutateur correspondent aux repères sur l'étiquette.
 - Courant entrant : L1 et L2 (pour des appareils de 100 et 120 V, L2 est neutre)
 - Vers l'élément de chauffe : H1 et H2

NOTA: Les bornes du commutateur à progression sont des bornes spécialement conçues pour des températures élevées qui ne nécessitent pas de raccordement à braser.

AVIS

Le commutateur à progression doit être installé à l'aide des bornes et des câbles fournis avec le commutateur. Si vous n'utilisez pas les pièces de rechange d'origine fournies par Hatco, cela annulera toutes les garanties et peut endommager votre équipement.

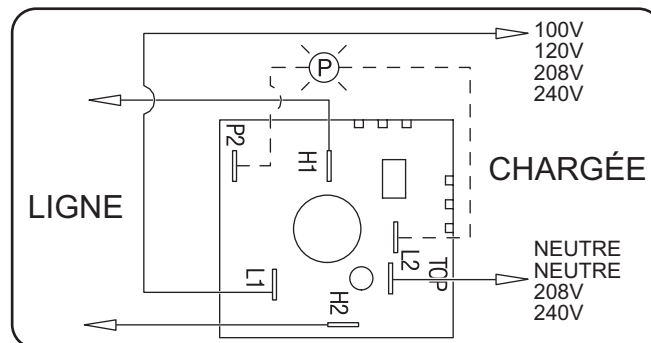


Schéma de câblage du commutateur à progression (vue arrière)

NOTA: Assurez-vous que le commutateur est installé avec la borne H1 orientée vers le haut (à la position 12 heures), comme indiqué ci-dessus. Vous vous assurez ainsi que les fonctions du commutateur correspondent aux repères sur l'étiquette.

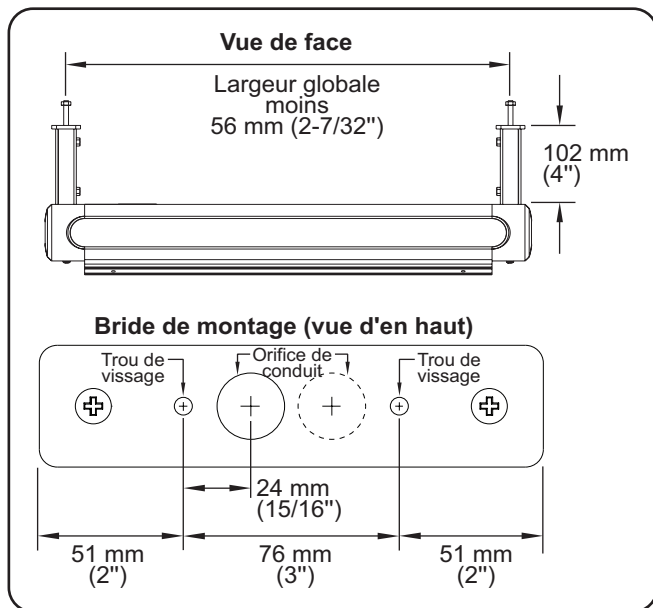
Références des commutateurs à progression

Référence	Tension
R02.19.160.00	100 V
R02.19.018.00	120 V
R02.19.017.00	208 V
R02.19.019.00	240 V

Fixations supérieures

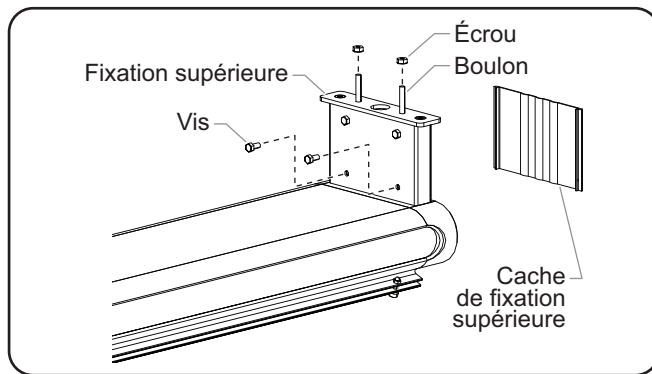
Des fixations supérieures sont disponibles à la place des pieds standard de 356 mm (14"). Cette option sera initialement installée à l'usine et ne pourra pas être ajoutée par la suite. Suivez la procédure suivante pour installer l'appareil au plafond.

1. Avec les caches des fixations supérieures enlevés, montez les fixations supérieures à chaque extrémité de l'appareil au moyen des vis fournies.
2. Marquez les trous sur la surface de montage en vous référant aux Dimensions de montage illustrées ci-dessous. Tous les modèles ont un orifice de conduit, à l'exception des modèles repris ci-dessous.
 - Deux orifices de conduit : Tous les appareils en tandem, GR2AH-xxD (60-84"), GR2AL-xxD (84"), et GR2AHL-xxD (60-84")



Dimensions de montage

3. Percez les trous marqués.
 - Les trous de vissage ont un diamètre de 6 mm (1/4").
 - Le ou les orifice(s) de conduit ont un diamètre de 25 mm (1").
4. Placez l'appareil en position sur les trous de montage avec le conduit électrique positionné dans le canal et trou de montage central.
5. Fixez l'appareil au plafond à l'aide des vis et écrous hexagonaux de 6 mm x 38 mm (1/4" x 1-1/2") fournis.
6. Installez les caches des fixations supérieures sur les fixations en les poussant en place jusqu'au déclic.



Installation des fixations supérieures

Ampoules halogènes

Des ampoules halogènes optionnelles peuvent être commandées pour remplacer les ampoules à incandescence classiques.

Ampoules DEL Chef

Les ampoules DEL Chef sont offertes pour tous les appareils. Les ampoules DEL Chef sont des ampoules électriques qui offrent des économies d'énergie par rapport aux ampoules à incandescence. Suivez les instructions ci-dessous pour le remplacement des ampoules :

120 Volts

- 2700K: R02.30.185.01
- 3000K: R02.30.195.01
- 4000K: R02.30.196.01

1. GARANTIE DU PRODUIT

Hatco garantit que les produits qu'il fabrique (les « Produits ») sont exempts de défauts de matériel et de fabrication, dans des conditions normales d'utilisation et de maintenance, pour une période d'un (1) an à partir de la date d'achat à condition que l'appareil soit installé et entretenu conformément aux instructions écrites de Hatco ou 18 mois après la date de l'expédition par Hatco. L'acheteur doit prouver la date d'achat du Produit par l'enregistrement de ce dernier auprès de Hatco ou par d'autres moyens satisfaisants pour Hatco, à sa seule discrétion.

Hatco garantit que les composants du Produit suivants sont exempts de défauts de matériel et de fabrication à partir de la date d'achat (sous réserve des conditions précédentes) pour la ou les périodes de temps et en fonction des conditions listées ci-dessous :

- a) **Garantie d'un (1) an pour les pièces et la main-d'œuvre PLUS un (1) an supplémentaire pour les pièces uniquement :**
 Éléments du grille-pain à convoyeur (enveloppe métallique)
 Éléments des tiroirs chauffants (enveloppe métallique)
 Tiroirs, roues et glissières des tiroirs chauffants
 Éléments des rampes chauffantes (enveloppe métallique)
 Éléments des vitrines chauffantes
 (enveloppe métallique, air chauffant)
 Éléments des armoires de stockage
 (enveloppe métallique, air chauffant)
 Éléments des compartiments chauffants —
 série HW et HWB (enveloppe métallique)
- b) **Garantie de deux (2) ans pour les pièces et la main-d'œuvre :**
 Gammes à induction
 Réchauds à induction
- c) **Garantie d'un (1) an pour les pièces et la main-d'œuvre PLUS quatre (4) ans pour les pièces uniquement :**
 Cuves 3CS et FR
- d) **Garantie d'un (1) an pour les pièces et la main-d'œuvre PLUS neuf (9) ans pour les pièces uniquement :**
 Cuves des appareils de chauffage d'appoint électriques
 Cuves des appareils de chauffage d'appoint à gaz
- e) **Garantie de quatre-vingt-dix (90) jours pour les pièces uniquement :**
 Pièces de rechange

LES GARANTIES PRÉCÉDENTES SONT EXCLUSIVES ET REMPLACENT TOUTES AUTRES GARANTIES, EXPRESSES OU IMPLICITES, COMPRENANT, MAIS NE SE LIMITANT PAS, À TOUTES GARANTIES IMPLICITES DE QUALITÉ MARCHANDE OU DE FINALITÉ PARTICULIÈRE OU TOUTS BREVETS OU TOUTES AUTRES ATTEINTES AUX DROITS DE LA PROPRIÉTÉ INTELLECTUELLE. Sans restreindre la portée générale des énoncés précédents, CES GARANTIES NE COUVRENT PAS LES ÉLÉMENTS SUIVANTS : ampoules d'éclairage à incandescence enduites, lumières fluorescentes, ampoules de lampes chauffantes, ampoules d'éclairage à halogène enduites, ampoules de lampes chauffantes au xénon, tubes d'éclairage DEL, composants en verre et fusibles ; défaut de produit dans la cuve d'un appareil de chauffage d'appoint, dans un échangeur de chaleur à tubes à ailettes ou tout autre équipement de chauffage d'eau causé par la calcification, l'accumulation de sédiments, la réaction d'un produit chimique ou le gel ; ou une mauvaise utilisation, une manipulation ou une mauvaise application, une installation inappropriée du Produit ou l'utilisation d'une tension inappropriée.

2. LIMITES DES RECOURS ET DES DOMMAGES

La responsabilité de Hatco et la seule voie de recours de l'Acheteur prévues par les présentes seront limitées exclusivement, au gré de Hatco, à la réparation ou au remplacement à l'aide de pièces ou de Produits nouveaux ou remis à neuf par Hatco ou un centre de réparation agréé par Hatco (sauf si l'Acheteur se situe hors des États-Unis, du Canada, du Royaume-Uni ou de l'Australie, auquel cas la responsabilité de Hatco et la seule voie de recours de l'Acheteur seront limitées exclusivement au remplacement des pièces concernées par la garantie) à l'égard de toute revendication effectuée dans les délais de garantie applicables mentionnés ci-dessus. Hatco se réserve le droit d'accepter ou de rejeter toute réclamation en partie ou dans son intégralité. Dans le cadre de cette Garantie limitée, « remis à neuf » signifie une pièce ou un Produit dont les caractéristiques techniques d'origine ont été restaurées par Hatco ou un centre de réparation agréé par Hatco. Hatco n'acceptera aucun retour de Produits sans qu'il n'ait auparavant donné son accord écrit, et tous ces retours approuvés doivent être effectués aux seuls frais de l'Acheteur. HATCO NE SERA PAS TENU RESPONSABLE, DANS AUCUNE CIRCONSTANCE, DES DOMMAGES CONSÉCUTIFS OU INDIRECTS, COMPRENANT, MAIS NE SE LIMITANT PAS, AUX COÛTS DE MAIN-D'ŒUVRE OU PERTES DE PROFITS DUS À UNE UTILISATION OU À UNE IMPOSSIBILITÉ D'UTILISER LES PRODUITS OU DUS AU FAIT QUE LES PRODUITS ONT ÉTÉ INTÉGRÉS DANS OU QU'ILS SONT DEVENUS UN COMPOSANT DE TOUT AUTRE PRODUIT OU BIEN.

AUTHORIZED PARTS DISTRIBUTORS • DISTRIBUTEURS DE PIÈCES AUTORISÉS

ALABAMA

Jones McLeod Appl. Svc.
Birmingham 205-251-0159

ARIZONA

Tech 24
Phoenix 602-234-2443

Byassee Equipment Co.
Phoenix 602-252-0402

CALIFORNIA

Industrial Electric
Commercial Parts & Service, Inc.
Huntington Beach 714-379-7100

Chapman Appl. Service
San Diego 619-298-7106

P & D Appliance
Commercial Parts & Service, Inc.
S. San Francisco 650-635-1900

COLORADO

Hawkins Commercial Appliance
Englewood 303-781-5548

FLORIDA

Whaley Foodservice Repair
Jacksonville 904-725-7800

Whaley Foodservice Repair
Orlando 407-757-0851

B.G.S.I./Heritage
Pompano Beach 954-971-0456

Comm. Appliance Service
Tampa 813-663-0313

GEORGIA

Heritage Service Group
Norcross 866-388-9837

HAWAII

Burney's Comm. Service, Inc.
Honolulu 808-848-1466

Food Equip Parts & Service
Honolulu 808-847-4871

ILLINOIS

Parts Town
Addison 708-865-7278

Eichenauer Elec. Service
Decatur 217-429-4229

Midwest Elec. Appl. Service
Elmhurst 630-279-8000

Cone's Repair Service
Moline 309-797-5323

IOWA

Goodwin Tucker Group
Des Moines 515-262-9308

KENTUCKY

Tech 24
Lexington 859-254-8854

Tech 24
Louisville 502-451-5411

LOUISIANA

Chandlers Parts & Service
Baton Rouge 225-272-6620

MARYLAND

Electric Motor Service
Baltimore 410-467-8080

MASSACHUSETTS

Ace Service Co., Inc.
Needham 781-449-4220

MICHIGAN

Bildons Appliance Service
Detroit 248-478-3320

Commercial Kitchen Service
Bay City 989-893-4561

Midwest Food Equip. Service
Grandville 616-261-2000

MISSOURI

General Parts
Kansas City 816-421-5400

Commercial Kitchen Services
St. Louis 314-890-0700

Kaemmerlen Parts & Service
St. Louis 314-535-2222

NEBRASKA

Anderson Electric
Omaha 402-341-1414

NEVADA

Burney's Commercial
Las Vegas 702-736-0006

Hi. Tech Commercial Service
N. Las Vegas 702-649-4616

NEW JERSEY

Jay Hill Repair
Fairfield 973-575-9145

Service Plus
Flanders 973-691-6300

NEW YORK

Alpro Service Co.
Maspeth 718-386-2515

Duffy's - AIS
Buffalo 716-884-7425

3Wire
Plattsburgh 800-634-5005

Duffy's - AIS
Sauquoit 800-836-1014

J.B. Brady, Inc.
Syracuse 315-422-9271

NORTH CAROLINA

Authorized Appliance
Charlotte 704-377-4501

OHIO

Akron/Canton Comm. Svc. Inc.
Akron 330-753-6634

Tech 24
Cincinnati 513-772-6600

Commercial Parts and Service
Columbus 614-221-0057

Electrical Appl. Repair Service
Brooklyn Heights 216-459-8700

E. A. Wichman Co.
Toledo 419-385-9121

OKLAHOMA

Hagar Rest. Service, Inc.
Oklahoma City 405-235-2184

OREGON

General Parts Group
Portland 503-624-0890

PENNSYLVANIA

Elmer Schultz Services
Philadelphia 215-627-5401

FAST Comm. Appl. Service
Philadelphia 215-288-4800

AIS Commercial Parts and Service
Pittsburgh 412-809-0244

K & D Service Co.
Harrisburg 717-236-9039

Electric Repair Co.
Reading 610-376-5444

RHODE ISLAND

Marshall Electric Co.
Providence 401-331-1163

SOUTH CAROLINA

Whaley Foodservice Repair
Lexington 803-996-9900

TENNESSEE

Camp Electric
Memphis 901-527-7543

TEXAS

Armstrong Repair Service
Houston 713-666-7100

Cooking Equipment Specialist
Mesquite 972-686-6666

Commercial Kitchen Repair Co.
San Antonio 210-735-2811

UTAH

La Monica's Rest. Equip. Service
Murray 801-263-3221

VIRGINIA

Daubers
Norfolk 757-855-4097

Daubers
Springfield 703-866-3600

WASHINGTON

3Wire
Seattle 800-207-3146

WISCONSIN

A.S.C., Inc.
Madison 608-246-3160

A.S.C., Inc.
Milwaukee 414-543-6460

CANADA

ALBERTA

Key Food Equipment Service
Edmonton 780-438-1690

BRITISH COLUMBIA

Key Food Equipment Service
Vancouver 604-433-4484

Key Food Equipment Service
Victoria 250-920-4888

MANITOBA

Air Rite, Inc.
Winnipeg 204-895-2300

NEW BRUNSWICK

EMR Services, Ltd.
Moncton 506-855-4228

ONTARIO

R.G. Henderson Ltd.
Toronto 416-422-5580

Choquette - CKS, Inc.
Ottawa 613-739-8458

QUÉBEC

Choquette - CKS, Inc.
Montreal 514-722-2000

Choquette - CKS, Inc.
Québec City 418-681-3944

UNITED KINGDOM

Marren Group
Northants +44(0)1933 665313

HATCO CORPORATION

P.O. Box 340500

Milwaukee, WI 53234-0500 U.S.A.

800-558-0607 414-671-6350

support@hatcocorp.com

www.hatcocorp.com

Register your unit online!

See IMPORTANT OWNER INFORMATION
section for details.

Enregistrez votre appareil en ligne !

Lisez la section INFORMATIONS IMPORTANTES POUR
LE PROPRIÉTAIRE pour plus d'informations.