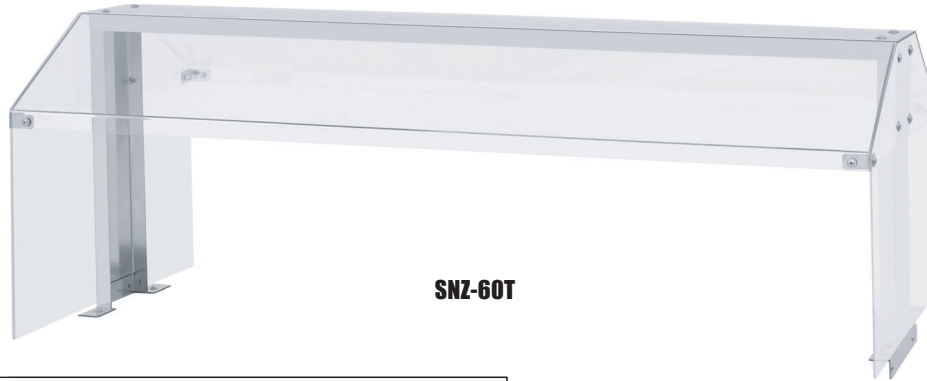


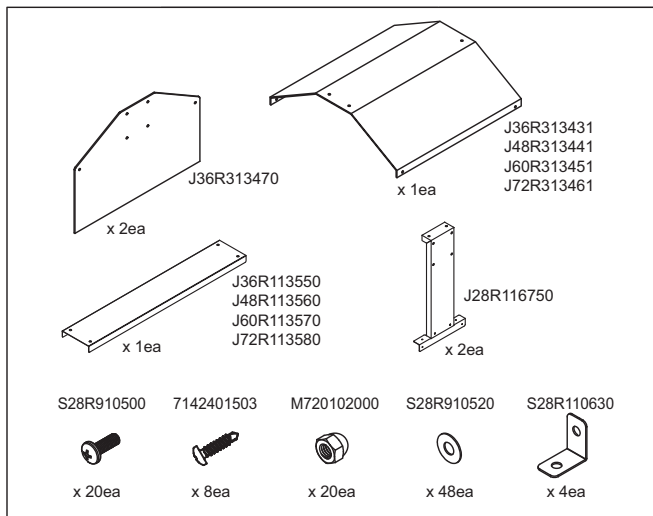
|                 |       |
|-----------------|-------|
| Project :       |       |
| Model # :       |       |
| Item # :        | Qty : |
| Available W/H : |       |
| Approval :      |       |

# Sneeze Guards for JBT Series

**Model : SNZ-**



**SNZ-60T**

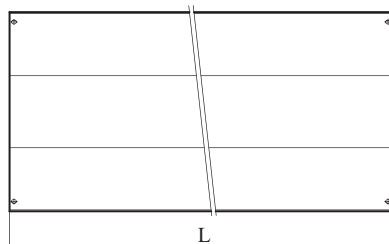


### FEATURES & BENEFITS

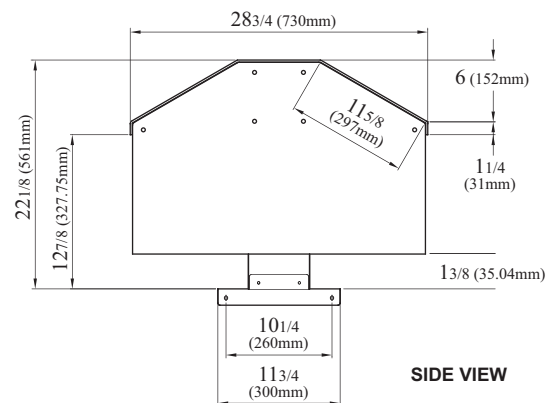
- Double sided sneeze guard keeps the food safe and protects the food area from germs and foreign objects
- A transparent polycarbonate cover is durable, less likely to get scratches, and break resistant. 304 stainless steel two side stands are easy to clean and anti-corrosive
- The package includes support brackets and mounting hardware (except tools)

### PLAN VIEW

(unit : inch)



**COVER PLAN VIEW**



**SIDE VIEW**

| Model   | L (in.)         | Net Weight (lbs.) |
|---------|-----------------|-------------------|
| SNZ-36T | 35 5/8 (906mm)  | 11                |
| SNZ-48T | 47 1/2 (1206mm) | 13.5              |
| SNZ-60T | 59 3/8 (1506mm) | 16                |
| SNZ-72T | 71 1/8 (1806mm) | 18.4              |