



Refrigerated Showcases

Models RS-CN-0072-R*, 0400-R, 0100-R*
Items 39552*, 40440, 41466*

Instruction Manual



STOP
DO NOT RETURN
THIS PRODUCT TO THE STORE

For questions or assistance with this product call OMCAN Toll Free: 1 800 465 0234
Customer Service
or
visit the Support section of www.omcan.com

Revised - 08/18/2022



Toll Free: 1-800-465-0234
Fax: 905-607-0234
Email: service@omcan.com
www.omcan.com

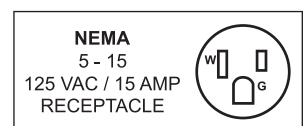


Table of Contents

Model RS-CN-0072-R / Model RS-CN-0400-R / Model RS-CN-0100-R

Section	Page
Disclaimer -----	3
General Information -----	4 - 5
Safety and Warranty -----	5 - 7
Technical Specifications -----	7
Operation -----	8 - 9
Maintenance -----	9
Troubleshooting -----	9 - 10
Parts Breakdown -----	11 - 16
Electrical Schematics -----	17 - 19
Notes -----	20 - 22
Warranty Registration -----	23

Disclaimer

OMCAN IS NOT RESPONSIBLE FOR ANY DAMAGES DUE TO WATER LEAKS. WARRANTY FOR WATER LEAKS IS VOID IF THE AMBIENT ROOM TEMPERATURE EXCEEDS 75°F AND 55% RELATIVE HUMIDITY, AND THE APPLIANCE DRAIN IS NOT CONNECTED DIRECTLY TO A FLOOR DRAIN.

General Information

Omcan Manufacturing and Distributing Company Inc., Food Machinery of America, Inc. dba Omcan and Omcan Inc. are not responsible for any harm or injury caused due to any person's improper or negligent use of this equipment. The product shall only be operated by someone over the age of 18, of sound mind, and not under the influence of any drugs or alcohol, who has been trained in the correct operation of this machine, and is wearing authorized, proper safety clothing. Any modification to the machine voids any warranty, and may cause harm to individuals using the machine or in the vicinity of the machine while in operation.

CHECK PACKAGE UPON ARRIVAL

Upon receipt of an Omcan shipment please inspect for external damage. If no damage is evident on the external packaging, open carton to ensure all ordered items are within the box, and there is no concealed damage to the machine. If the package has suffered rough handling, bumps or damage (visible or concealed), please note it on the bill of lading before accepting the delivery and contact Omcan within 24 hours, so we may initiate a claim with the carrier. A detailed report on the extent of the damage caused to the machine must be filled out within three days, from the delivery date shown in the shipping documents. Omcan has no recourse for damaged products that were shipped collect or third party.

Before operating any equipment, always read and familiarize yourself with all operation and safety instructions.

Omcan would like to thank you for purchasing this machine. It's of the utmost importance to save these instructions for future reference. Also save the original box and packaging for shipping the equipment if servicing or returning of the machine is required.

Omcan Fabrication et distribution Compagnie Limitée et Food Machinery d'Amérique, dba Omcan et Omcan Inc. ne sont pas responsables de tout dommage ou blessure causé du fait que toute personne ait utilisé cet équipement de façon irrégulière. Le produit ne doit être exploité que par quelqu'un de plus de 18 ans, sain d'esprit, et pas sous l'influence d'une drogue ou d'alcool, qui a été formé pour utiliser cette machine correctement, et est vêtu de vêtements de sécurité appropriés. Toute modification de la machine annule toute garantie, et peut causer un préjudice à des personnes utilisant la machine ou des personnes à proximité de la machine pendant son fonctionnement.

VÉRIFIEZ LE COLIS DÈS RÉCEPTION

Dès réception d'une expédition d'Omcan veuillez inspecter pour dommages externes. Si aucun dommage n'est visible sur l'emballage externe, ouvrez le carton afin de s'assurer que tous les éléments commandés sont dans la boîte, et il n'y a aucun dommage dissimulé à la machine. Si le colis n'a subi aucune mauvaises manipulations, de bosses ou de dommages (visible ou cachée), notez-le sur le bond de livraison avant d'accepter la livraison et contactez Omcan dans les 24 heures qui suivent, pour que nous puissions engager une réclamation auprès du transporteur. Un rapport détaillé sur l'étendue des dommages causés à la machine doit être rempli dans un délai de trois jours, à compter de la date de livraison indiquée dans les documents d'expédition. Omcan n'a aucun droit de recours pour les produits endommagés qui ont été expédiés ou cueilli par un tiers transporteur.



General Information

Avant d'utiliser n'importe quel équipement, toujours lire et vous familiariser avec toutes les opérations et les consignes de sécurité.

Omcan voudrais vous remercier d'avoir choisi cette machine. Il est primordial de conserver ces instructions pour une référence ultérieure. Également conservez la boîte originale et l'emballage pour l'expédition de l'équipement si l'entretien ou le retour de la machine est nécessaire.

Omcan Empresa De Fabricacion Y Distribucion Inc. Y Maquinaria De Alimentos De America, Inc. dba Omcan y Omcan Inc. no son responsables de ningun daño o perjuicio causado por cualquier persona inadecuada o el uso descuidado de este equipo. El producto solo podra ser operado por una persona mayor de 18 años, en su sano juicio y no bajo alguna influencia de droga o alcohol, y que este ha sido entrenado en el correcto funcionamiento de esta máquina, y ésta usando ropa apropiada y autorizada. Cualquier modificación a la máquina anula la garantía y puede causar daños a las personas usando la máquina mientras esta en el funcionamiento.

REVISE EL PAQUETE A SU LLEGADA

Tras la recepcion de un envio Omcan favor inspeccionar daños externos. Si no hay daños evidentes en el empaque exterior, Habra el carton para asegurarse que todos los articulos solicitados estén dentro de la caja y no encuentre daños ocultos en la máquina. Si el paquete ha sufrido un manejo de poco cuidado, golpes o daños (visible o oculto) por favor anote en la factura antes de aceptar la entrega y contacte Omcan dentro de las 24 horas, de modo que podamos iniciar una reclamación con la compañía. Un informe detallado sobre los daños causados a la máquina debe ser llenado en el plazo de tres días, desde la fecha de entrega que se muestra en los documentos de envío. Omcan no tiene ningun recurso por productos dañados que se enviaron a recoger por terceros.

Antes de utilizar cualquier equipo, siempre lea y familiarizarse con todas las instrucciones de funcionamiento y seguridad.

Omcan le gustaría darle las gracias por la compra de esta máquina. Es de la mayor importancia para salvar estas instrucciones para futuras consultas. Además, guarda la caja original y el embalaje para el envío del equipo si servicio técnico o devolución de la máquina que se requiere.

Safety and Warranty

HANDLING AND INSTALLATION

Handle with care	Storage
Unplug wall socket before moving. Never tilt the refrigerator over 45 degrees during handling.	Always store the refrigerator in a dry place.

Safety and Warranty

<p>Sufficient space To allow for proper air circulation and increased refrigeration capabilities, the refrigerator must have at least 4 inches of space between wall and unit.</p>	<p>Proper ventilation Always place the refrigerator in an area with good ventilation. For first time use, wait at least 2 hours before plugging into wall socket.</p>
<p>Away from heat source Never place the refrigerator near any type of heat source or in direct sunlight, as it reduces refrigeration capabilities.</p>	<p>No heavy load Never put heavy items on top of the refrigerator.</p>
<p>No altercations/tampering Never tamper with or make changes to the refrigerator. Changes and add-ons should not be installed to the inside or outside of the refrigerator.</p>	<p>Stable location Unpack and place the refrigerator on flat, solid ground.</p>

PREPARATION AND POWER SUPPLY

<p>Exclusive power outlet Power supply should be 115-120V, single phase AC with exclusive single phase three pin outlet (250V/10A) and fuse (6A). The power outlet must be in close proximity to the ground.</p>	<p>No shared power outlets Refrigerator cable should never share the power outlet with any other appliance, as cable will overheat and may result in a fire.</p>
<p>Protect cables Extra caution should be used when handling cables, as broken or damaged cables can cause sparking and may result in a fire.</p>	<p>No water flushing Never flush the refrigerator surface. This can cause leakage, which may result in electrical damage or fire.</p>
<p>Never store flammables and explosives No explosives or flammables should be stored in, or in proximity to, the refrigerator, such as gasoline, alcohol, and adhesives.</p>	<p>No spray Never spray flammables such as paint or coating near the refrigerator. This may cause fire or malfunction.</p>
<p>After power outage After a power outage or the unplugging of the refrigerator, wait at least 5 minutes before plugging it back in.</p>	<p>No medicine Medicine should not be stored inside of the refrigerator.</p>

RESIDENTIAL USERS: Vendor assumes no liability for parts or labor coverage for component failure or other damages resulting from installation in non-commercial or residential applications. The right is reserved to deny shipment for residential usage; if this occurs, you will be notified as soon as possible.

1 YEAR PARTS AND LABOUR WARRANTY

Within the warranty period, contact Omcan Inc. at 1-800-465-0234 to schedule an Omcan authorized service technician to repair the equipment locally.



Safety and Warranty

Unauthorized maintenance will void the warranty. Warranty covers electrical and part failures, not improper use.

Please see <https://omcan.com/disclaimer> for complete info.

WARNING:

The packaging components are classified as normal solid urban waste and can therefore be disposed of without difficulty.

In any case, for suitable recycling, we suggest disposing of the products separately (differentiated waste) according to the current norms.

DO NOT DISCARD ANY PACKAGING MATERIALS IN THE ENVIRONMENT!

Technical Specifications

Model	RS-CN-0072-R	RS-CN-0400-R	RS-CN-0100-R
Capacity	72 L / 2.54 cu.ft.	360 L / 12.7 cu.ft.	100 L / 3.53 cu.ft.
Total Power Input	170 W	720 W	230 W
Electrical	110V / 60Hz / 1		
Refrigerant	R134a	R404a	R134a
Lamp Power	1.5 W x 2 (LED)	5 W x 2 (LED)	6 W
Rated Current	1.34A / 1.2A	6A	2.6A
Storage Temperature	0 - 12°C / 32 - 50°F	2 - 8°C / 35.6 - 46.4°F	
Max Ambient Temp Rating	24°C / 75°F		
Maximum Load	22 lbs. / 10 kgs.	88.2 lbs. / 40 kgs.	44 lbs. / 20 kgs.
Weight	84.9 lbs. / 38.5 kgs.	275 lbs. / 125 kgs.	110 lbs. / 50 kgs.
Packaging Weight	90 lbs. / 41 kgs.	286 lbs. / 130 kgs.	121 lbs. / 55 kgs.
Dimensions	17.7" x 17.7" x 38.7" 450 x 450 x 983mm	26.8" x 26.8" x 68.9" 681 x 681 x 1750mm	18.9" x 18.9" x 40.6" 480 x 480 x 1030mm
Packaging Dimensions	20" x 20" x 41" 508 x 508 x 1041mm	29.5" x 30.5" x 72" 749 x 775 x 1829mm	22.2" x 22.2" x 43.3" 565 x 565 x 1100mm
Item Number	39552	40440	41466

Operation

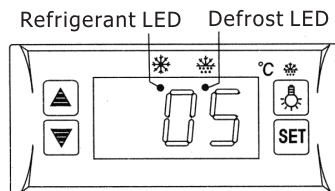
The device is installed with an enclosed compressor with refrigerant R134a which has been indicated as an environmentally friendly agent. The product is operated under an air cooling system, maintaining the body temperature evenly.

1. Double hollow transparent glasses are used on the door and body, it features an artistic and elegant appearance, perfect perspective and easy access.
2. The device is commonly for commercial use, such as restaurants, convenience stores, clubs, ect.

BEFORE USE

- Plug refrigerator into the 115-120V exclusive socket.
- After the refrigerator is running, confirm that air suction/filtration is in order and that it is sufficiently cold. After checking to make sure the refrigerator is working properly, it may be used.

DIGITAL TEMPERATURE CONTROLLER



FEATURES OF FUNCTION

- Small, integrated digital controller, which is applicable to the compressor of 1 Hp.
- Main functions are: Temperature Display/Temperature Control/Manual-Automatic /Light Control/Value Storing/Self-Testing/Parameter Locking.

FRONT PANEL OPERATION

3. Set temperature: Press **SET** button; set temperature will be displayed. Press **▲** or **▼** button to modify and store the displayed value. Press **SET** button to exit the adjustment and display the cold-room temperature.
4. If no button is pressed within 10 seconds, the cold-room temperature will be displayed.
5. Lighting: Press **☹** button to activate light in refrigerator; press again to turn off. Manual start/stop defrost: Press **☹** button and hold for 6 seconds to either defrost or to stop defrost.
6. Refrigeration LED: During refrigeration, the LED is on. When the cold room temperature is constant, the LED is off. During delay start, the LED flashes.
7. Defrost LED: During defrosting, the LED is on. When it stops defrosting, the LED is off. During the delay of defrost, the LED flashed.

CAUTION

- Minimizing time the time and frequency that the door is open will maintain temperature.
- Never block the air outlet and suction to keep the air circulation and refrigeration capability constant.

Operation

- Do not overfill refrigerator with food, as it will influence the cooling effect. If needed, adjust the rack height for proper food storage.
- Cool down hot food to room temperature before placing inside the refrigerator.
- When power supply has been cut off, reduce opening times and maintain cool temperature in refrigerator.
- To avoid scalding, never touch the compressor.
- If the supply cord is damaged, it must be replaced by the manufacturer, its service agent, or similarly qualified persons in order to avoid hazard.
- This appliance is not intended for use by persons (including children) with reduced physical, sensory or mental capabilities, or lack of experience and knowledge, unless they have been given supervision or instruction concerning use of the appliance by a person responsible for their safety.
- Children should be supervised to ensure that they do not play with the appliance.

Maintenance

1. Cabinet Cleaning:
 - a. The product should be maintained and cleaned periodically with power supply disconnected. In cleaning, please use mild-rinsing water or non-corrosive products. Do not wash directly with water faucet.
 - b. Clean outside of unit using a soft cloth with neutral detergent, and dry with a separate soft cloth.
 - c. Clean inside racks by removing them from the unit and clean with water.
2. When shutting down unit for a long period of time, take out all food and unplug wall socket. Clean inside and outside thoroughly, and keep door open to sufficiently dry.
3. As glass breaks easily, keep far away from children.
4. Frequently observe the operation of the product. In case of any abnormal noise or smell, cut off the power supply immediately and call professionals. Do not restart the product before source of trouble is found.
5. We will not be responsible for any accidents acquired through failure to follow previous notices.

Troubleshooting

Trouble	Cause and Remedy
No Refrigeration	Is the plug securely in the socket?
	Is the fuse broken?
	Is there no power?

Troubleshooting

Poor Refrigeration	Is it under sunlight? Is there any heat source nearby?
	Is the surrounding ventilation poor?
	Is the door seal strip deformed or damaged?
	Is the food congested or is there too much food?
	Does food block the air suction or outlet?
	Regulate the temperature controller.
Noisy	The refrigerator is not level.
	The refrigerator is making contact with the wall or other objects.
	There is a loose part in the refrigerator.
Contact Omcan for help if simple trouble shooting does not solve the problems.	

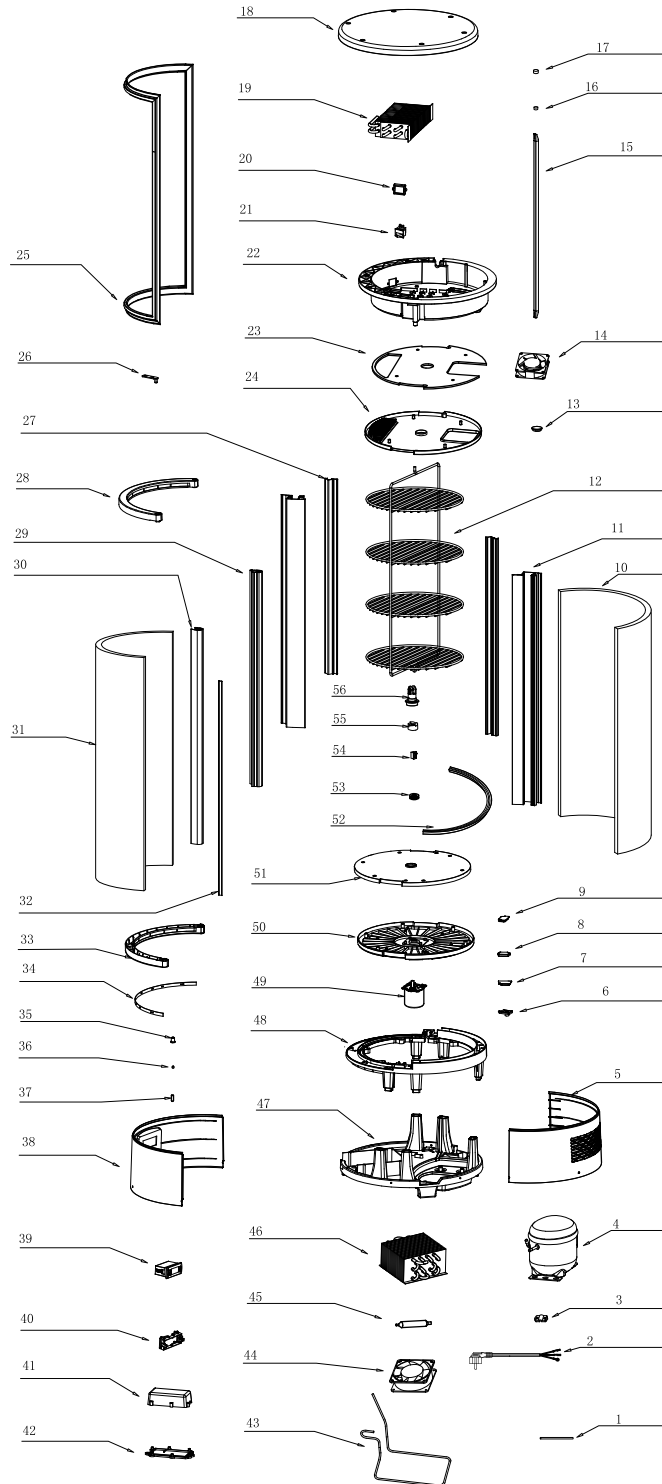
NOTE

Following occurrences are not problems:

- The murmur of water is heard when the refrigerator is working. It is a normal occurrence as the coolant is circulating in the system.
- When the weather is damp, condensation might be found on the outside of the refrigerator. It is caused by high humidity. Simply use cloth to wipe it off.

Parts Breakdown

Model RS-CN-0072-R 39552



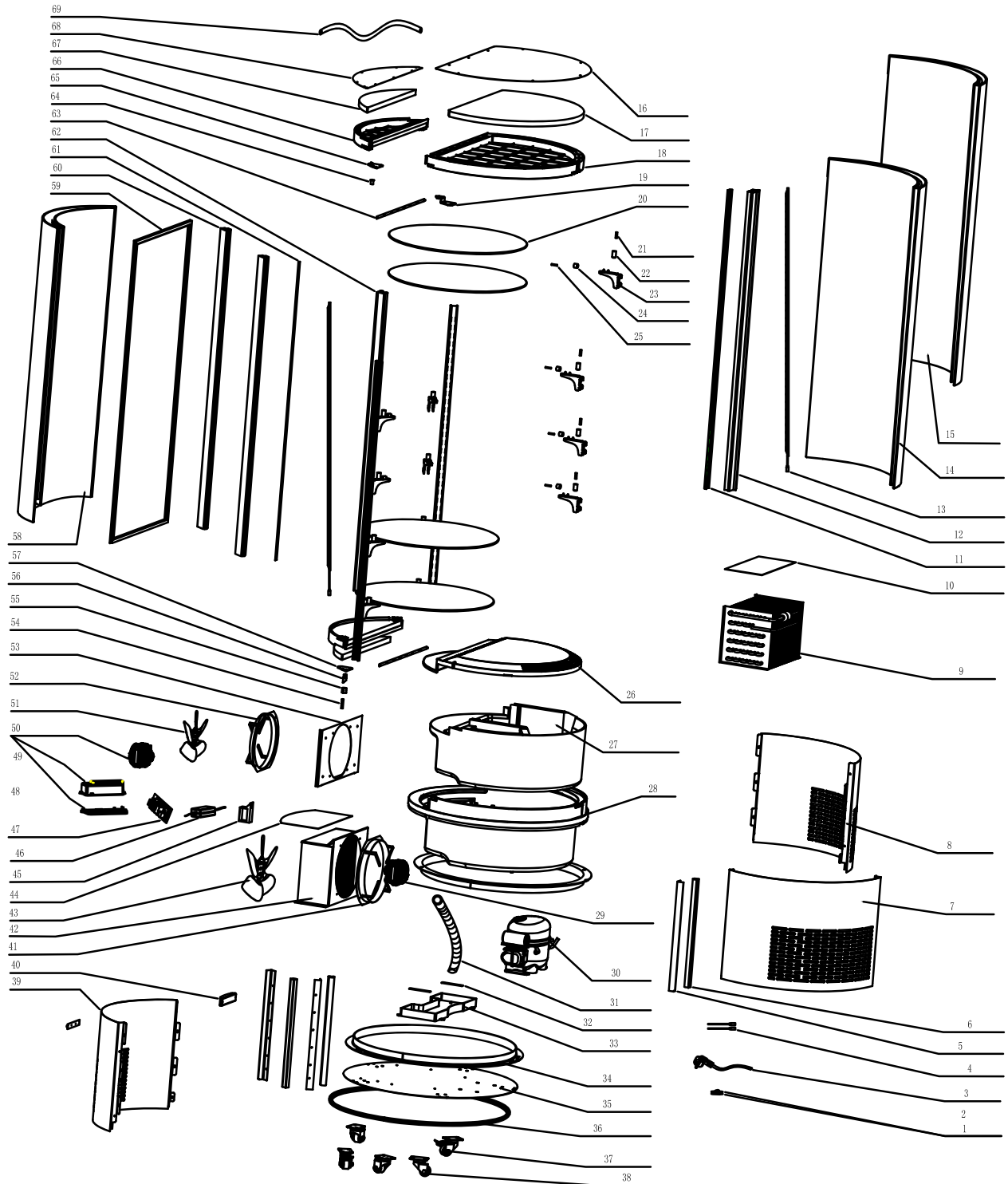
Parts Breakdown

Model RS-CN-0072-R 39552

Item No.	Description	Position	Item No.	Description	Position	Item No.	Description	Position
71320	Charging Tube for 39552	1	71339	Door Switch Unit for 39552	20	71358	Mainboard for 39552	39
30621	Power Cord for 39552	2	71340	Door Switch for 39552	21	71359	Clip for Controller for 39552	40
71322	Wire Clip Cover for 39552	3	71341	Evaporator Holder for 39552	22	71360	Circuit Board Box for 39552	41
71323	Compressor for 39552	4	71342	Insulation Sheet for 39552	23	71361	Box Cover for 39552	42
71324	Rear Base Panel for 39552	5	71343	Ventilated Tray for 39552	24	71362	Copper Pipe for 39552	43
71325	Door Washer for 39552	6	71344	Door Gasket for 39552	25	71363	Condenser Fan for 39552	44
71326	Washer 1 for 39552	7	71345	Upper Gemel for 39552	26	71364	Dry Filter for 39552	45
71327	Washer 2 for 39552	8	71346	Pillar Decoration for 39552	27	71365	Condenser for 39552	46
71328	Washer 3 for 39552	9	71347	Upper Door Frame for 39552	28	71366	Bottom Base of Compressor for 39552	47
71329	Rear Glass for 39552	10	71348	Door Handle for 39552	29	71367	Fixed Tray for 39552	48
71330	Pillar for 39552	11	71349	Bottom Door Frame for 39552	30	71368	Motor for the Rotational Rack for 39552	49
71331	Rotate Shelf for 39552	12	71350	Door Glass for 39552	31	71369	Bottom Cover of Fixed Tray for 39552	50
71332	Cap of Evaporator Holder for 39552	13	71351	Side Magnetic Strip for 39552	32	71370	Upper Cover of Fixed Tray for 39552	51
71333	Fan Motor for Evaporator for 39552	14	71352	Bottom Door Frame for 39552	33	71371	Seal for 39552	52
71334	LED Lamp for 39552	15	71353	Magnetic Strip for 39552	34	71372	Plane Bearing for 39552	53
71335	Small Cap for 39552	16	71354	Bush for 39552	35	71373	Switch for 39552	54
71336	Screw Cover for 39552	17	71355	Steel Ball for 39552	36	71374	Lower Clutch for 39552	55
71337	Top Cover for 39552	18	71356	Door Pin for 39552	37	71375	Upper Clutch for 39552	56
71338	Evaporator for 39552	19	71357	Front Panel for 39552	38			

Parts Breakdown

Model RS-CN-0400-R 40440



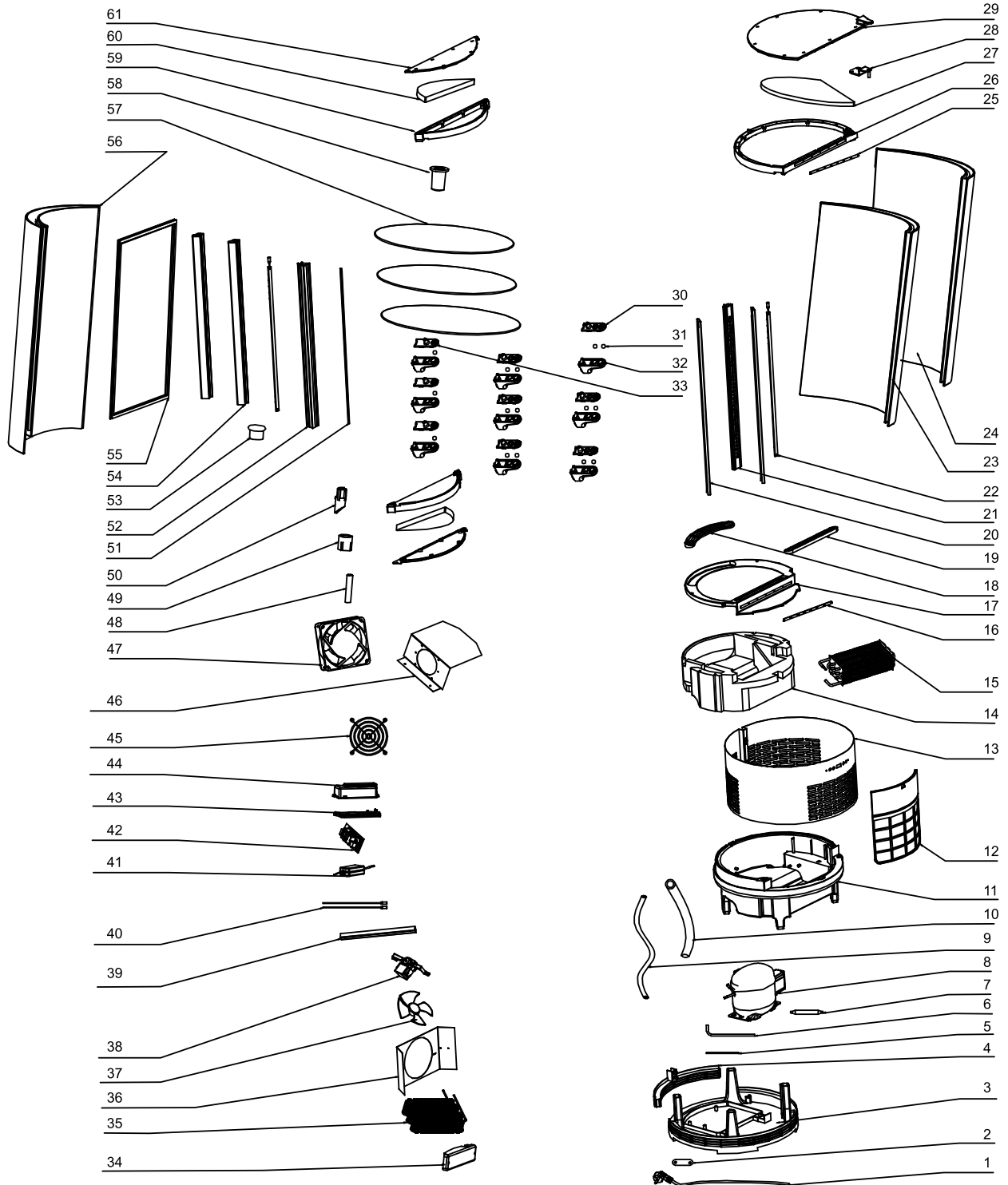
Parts Breakdown

Model RS-CN-0400-R 40440

Item No.	Description	Position	Item No.	Description	Position	Item No.	Description	Position
30621	Power Cord for 40440	1 - 3	71276	Ventilation Cover for 40440	26	71299	PCB Box for 40440	49
71254	LED Cord for 40440	4	71277	Insulation for 40440	27	71300	Evaporator Motor for 40440	50
71255	Angle Iron for 40440	5	71278	Plastic Base for 40440	28	71301	Evaporator Fan Blade for 40440	51
71256	Trim Strip for 40440	6	71279	Condenser Motor for 40440	29	71302	Evaporator Flange for 40440	52
71257	Left Panel for 40440	7	71280	Compressor for 40440	30	71303	Evaporator Fixer for 40440	53
71258	Right Panel for 40440	8	71281	Drain Tube for 40440	31	71304	Door Shaft for 40440	54
71259	Evaporator for 40440	9	71282	Fixer for 40440	32	71305	Bottom Door Closer for 40440	55
71260	Evaporator Cover for 40440	10	71283	Drip Tray for 40440	33	71306	Top Door Closer for 40440	56
71261	Shelf Holder for 40440	11	71284	Angle Iron Flange for 40440	34	71307	Hinge Fixer for 40440	57
71262	Middle Pole for 40440	12	71285	Bottom Plate for 40440	35	71308	Door Glass for 40440	58
71263	LED for 40440	13	71286	Strip for 40440	36	71309	Door Seal for 40440	59
71264	Left Glass for 40440	14	71287	Front Caster for 40440	37	71310	Door Pole for 40440	60
71265	Right Glass for 40440	15	71288	Rear Caster for 40440	38	71311	Door Stopper 1 for 40440	61
71266	Top Cover for 40440	16	71289	Front Panel for 40440	39	71312	Side Pole for 40440	62
71267	Top Insulation for 40440	17	71290	Displayer Cover for 40440	40	71313	Door Stopper 2 for 40440	63
71268	Top Plastic Cover for 40440	18	71291	Condenser Flange for 40440	41	71314	Hinge Sleeve for 40440	64
71269	Top Hinge Fixer for 40440	19	71292	Condenser for 40440	42	71315	Bottom Shaft Plate for 40440	65
71270	Class Shelf for 40440	20	71293	Fan Blade for 40440	43	71316	Door Frame for 40440	66
71271	Roller Shaft for 40440	21	71294	Condenser Cover for 40440	44	71317	Door Insulation for 40440	67
71272	Roller for 40440	22	71295	LED Power Holder for 40440	45	71318	Door Cover for 40440	68
71273	Bracket for 40440	23	71296	LED Power for 40440	46	71319	Water Tube for 40440	69
71274	Roller 2 for 40440	24	71297	Electron Control for 40440	47			
71275	Roller Shaft 2 for 40440	25	71298	PCB Cover for 40440	48			

Parts Breakdown

Model RS-CN-0100-R 41466



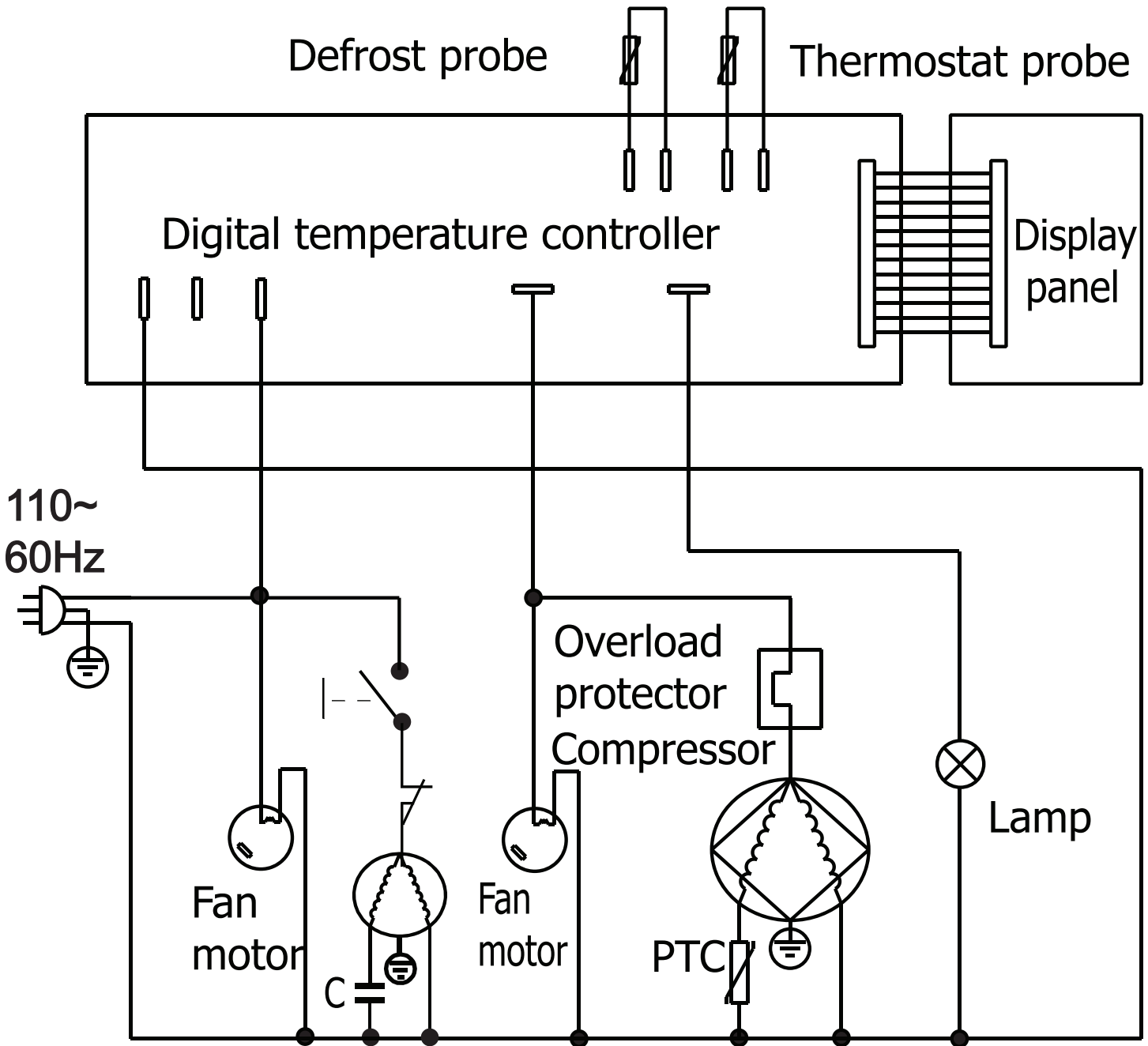
Parts Breakdown

Model RS-CN-0100-R 41466

Item No.	Description	Position	Item No.	Description	Position	Item No.	Description	Position
30621	Power Cord for 41466	1 - 2	71211	LED Light for 41466	22	71231	Digital Controller for 41466	42
71192	Plastic Base for 41466	3	71212	Left Glass for 41466	23	71232	Base Panel of Controller for 41466	43
71193	Bottom Frame for 41466	4	71213	Right Glass for 41466	24	71233	Controller Cover for 41466	44
71194	Accumulator for 41466	5	71214	Horizontal Door Stopper for 41466	25	71234	Fan Net for 41466	45
71195	Gas Return Pipe for 41466	6	71215	Top Plastic Cover for 41466	26	71235	Evaporator Fixer for 41466	46
71196	Dry Filter for 41466	7	71216	Top Insulation for 41466	27	71236	Evaporator Motor for 41466	47
71197	Compressor for 41466	8	71217	Top Hinge Fixer for 41466	28	71237	Lower Door Shaft for 41466	48
71198	Small Water Pipe for 41466	9	71218	Top Cover for 41466	29	71238	Bottom Door Closer for 41466	49
71199	Large Water Pipe for 41466	10	71219	Cover of a Double Hole for 41466	30	71239	Top Door Closer for 41466	50
71200	Plastic Base for 41466	11	71220	Roller for 41466	31	71240	Vertical Door Stopper for 41466	51
71201	Filter Screen for 41466	12	71221	Bracket for 41466	32	71241	Side Pole for 41466	52
71202	Round Frame for 41466	13	71222	Cover of a Single Span for 41466	33	71242	Door Cover Plug for 41466	53
71203	Middle Insulation for 41466	14	71223	Switch Cover for 41466	34	71243	Door Pole for 41466	54
71204	Evaporator for 41466	15	71224	Condenser for 41466	35	71244	Door Seal for 41466	55
71205	Horizontal Door Stopper for 41466	16	71225	Condenser Fixer for 41466	36	71245	Curved Door Glass for 41466	56
71206	Ventilation Cover for 41466	17	71226	Condenser Fan Blade for 41466	37	71246	Put Aside Frame Glass for 41466	57
71207	Cover of Air Outlet for 41466	18	71227	Condenser Motor for 41466	38	71247	Hinge Sleeve for 41466	58
71208	Cover of Air Suction for 41466	19	71228	Decorating Strip for 41466	39	71248	Door Frame for 41466	59
71209	Decorating Pole for 41466	20	71229	LED Cord for 41466	40	71249	Door Insulation for 41466	60
71210	Middle Pole for 41466	21	71230	LED Power for 41466	41	71250	Door Cover for 41466	61

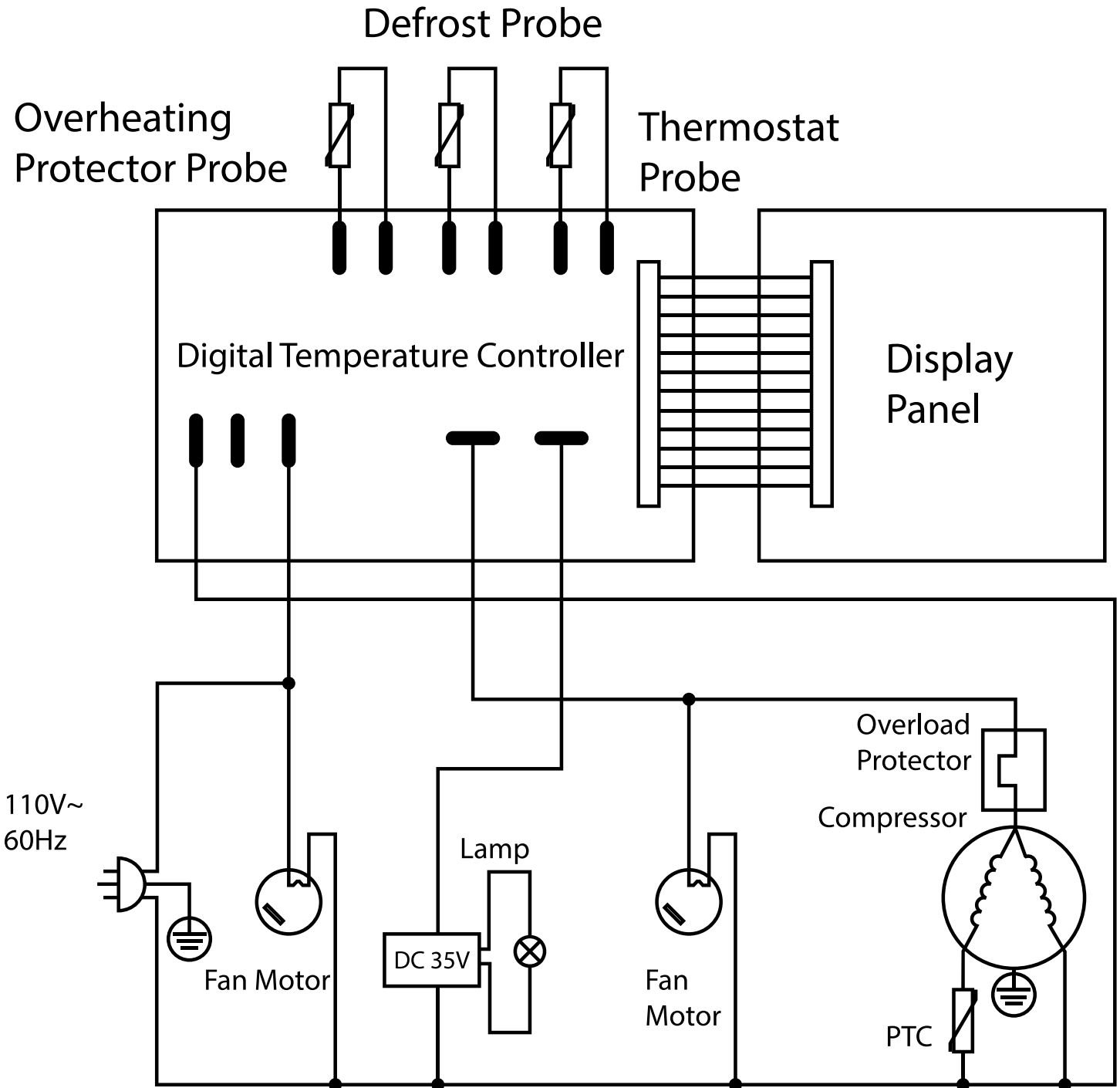
Electrical Schematics

Model RS-CN-0072-R 39552



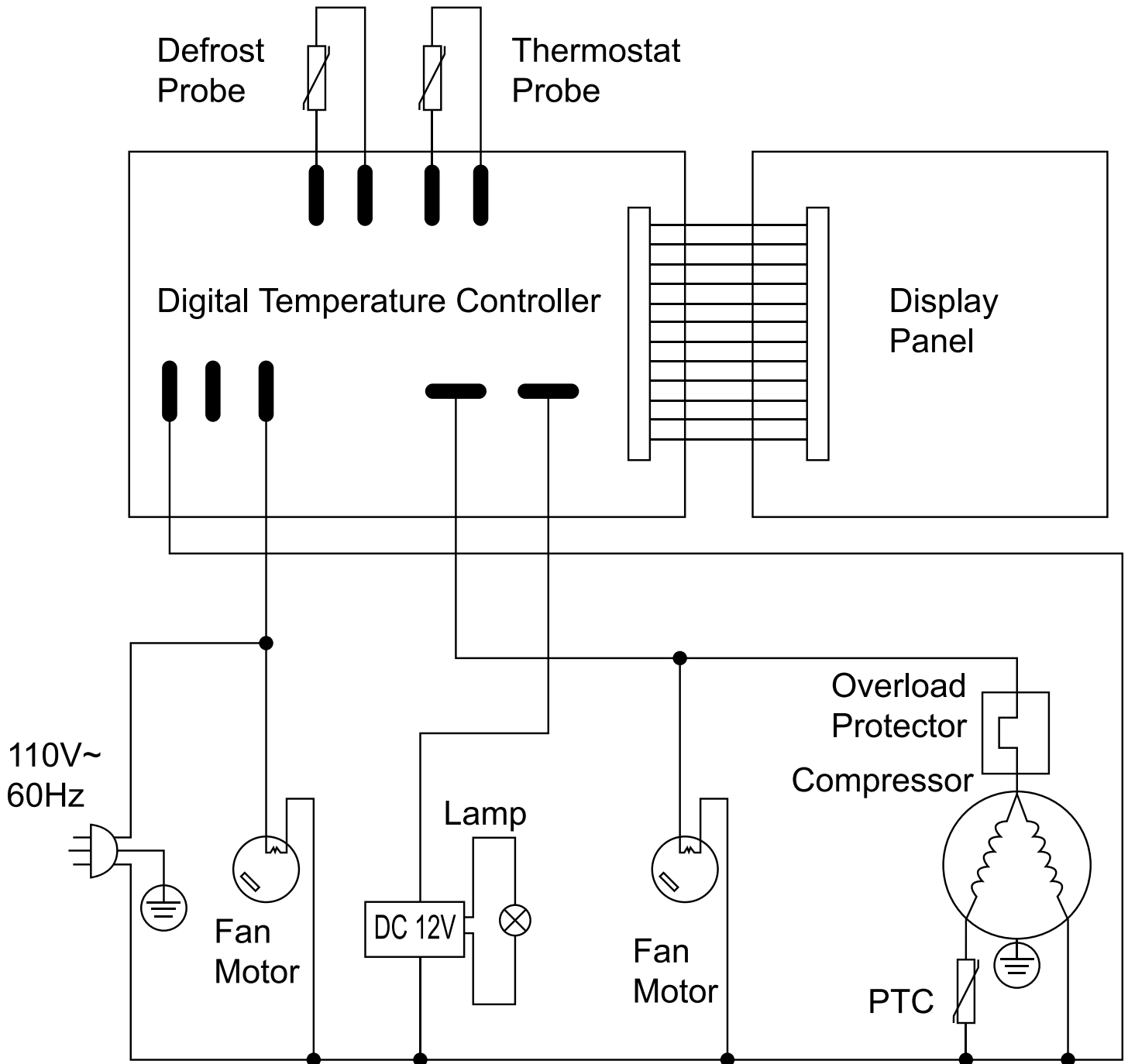
Electrical Schematics

Model RS-CN-0400-R 40440



Electrical Schematics

Model RS-CN-0100-R 41466



Notes



Warranty Registration

Thank you for purchasing an Omcan product. To register your warranty for this product, complete the information below, tear off the card at the perforation and then send to the address specified below. You can also register online by visiting:

Merci d'avoir acheté un produit Omcan. Pour enregistrer votre garantie pour ce produit, complétez les informations ci-dessous, détachez la carte au niveau de la perforation, puis l'envoyer à l'adresse spécifiée ci-dessous. Vous pouvez également vous inscrire en ligne en visitant:

Gracias por comprar un producto Omcan usted. Para registrar su garantía para este producto, complete la información a continuación, cortar la tarjeta en la perforación y luego enviarlo a la dirección indicada a continuación. También puede registrarse en línea en:

<https://omcan.com/warranty-registration/>

For mailing in Canada

Pour postale au Canada

Por correo en Canadá

OMCAN

PRODUCT WARRANTY REGISTRATION

3115 Pepper Mill Court,

Mississauga, Ontario

Canada, L5L 4X5

For mailing in the US

Pour diffusion aux États-Unis

Por correo en los EE.UU.

OMCAN

PRODUCT WARRANTY REGISTRATION

4450 Witmer Industrial Estates, Unit 4,

Niagara Falls, New York

USA, 14305

or email to: service@omcan.com



Purchaser's Information

Name: _____

Address: _____

City: _____ Province or State: _____ Postal or Zip: _____

Country: _____

Dealer from which Purchased: _____

Dealer City: _____ Dealer Province or State: _____

Invoice: _____

Model Name: _____ Model Number: _____

Machine Description: _____

Date of Purchase (MM/DD/YYYY): _____

Would you like to extend the warranty? Yes No

Company Name: _____

Telephone: _____

Email Address: _____

Type of Company:

Restaurant Bakery Deli

Butcher Supermarket Caterer

Institution (*specify*): _____

Other (*specify*): _____

Serial Number: _____

Date of Installation (MM/DD/YYYY): _____

Thank you for choosing Omcan | Merci d'avoir choisi Omcan | Gracias por elegir Omcan



Since 1951 Omcan has grown to become a leading distributor of equipment and supplies to the North American food service industry. Our success over these many years can be attributed to our commitment to strengthen and develop new and existing relationships with our valued customers and manufacturers. Today with partners in North America, Europe, Asia and South America, we continually work to improve and grow the company. We strive to offer customers exceptional value through our qualified local sales and service representatives who provide convenient access to over 6,500 globally sourced products.

Depuis 1951 Omcan a grandi pour devenir un des “leaders” de la distribution des équipements et matériel pour l’industrie des services alimentaires en Amérique du Nord. Notre succès au cours de ces nombreuses années peut être attribué à notre engagement à renforcer et à développer de nouvelles et existantes relations avec nos clients et les fabricants de valeur. Aujourd’hui avec des partenaires en Amérique du Nord, Europe, Asie et Amérique du Sud, nous travaillons continuellement à améliorer et développer l’entreprise. Nous nous efforçons d’offrir à nos clients une valeur exceptionnelle grâce à nos ventes locales qualifiées et des représentants de service qui offrent un accès facile à plus de 6500 produits provenant du monde entier.

Desde 1951 Omcan ha crecido hasta convertirse en un líder en la distribución de equipos y suministros de alimentos en América del Norte industria de servicios. Nuestro éxito en estos años se puede atribuir a nuestro compromiso de fortalecer y desarrollar nuevas relaciones existentes con nuestros valiosos clientes y fabricantes. Hoy con socios de América del Norte, Europa, Asia y América del Sur, que trabajan continuamente para mejorar y crecer la empresa. Nos esforzamos por ofrecer a nuestros clientes valor excepcional a través de nuestro local de ventas y representantes de los servicios que proporcionan un fácil acceso a más de 6,500 productos con origen a nivel mundial.

