



Register Online!
(see page 2)

S'inscrire en ligne!
(voir page 20)



Glo-Ray®

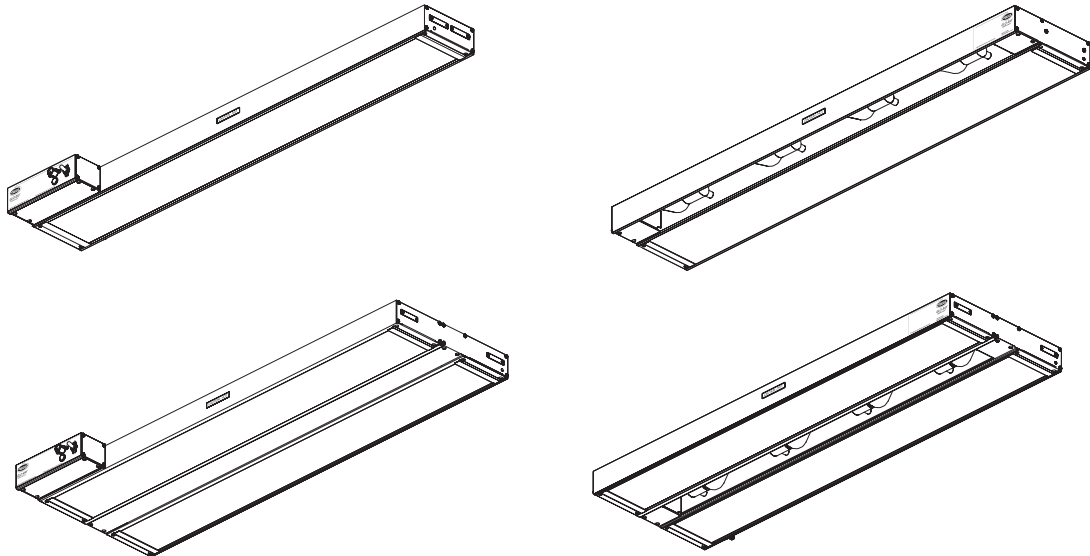
Infra-Black® Strip Heaters

Rampes Chauffantes Infra-Black

GRAIH and GRAIHL Series/Série

Installation and Operating Manual

Manuel d'installation et d'utilisation



⚠ WARNING

Do not operate this equipment unless you have read and understood the contents of this manual! Failure to follow the instructions contained in this manual may result in serious injury or death. This manual contains important safety information concerning the maintenance, use, and operation of this product. If you're unable to understand the contents of this manual, please bring it to the attention of your supervisor. Keep this manual in a safe location for future reference.

English = p 2

⚠ ADVERTENCIA

No opere este equipo al menos que haya leído y comprendido el contenido de este manual! Cualquier falla en el seguimiento de las instrucciones contenidas en este manual puede resultar en un serio lesión o muerte. Este manual contiene importante información sobre seguridad concerniente al mantenimiento, uso y operación de este producto. Si usted no puede entender el contenido de este manual por favor pregunte a su supervisor. Almacenar este manual en una localización segura para la referencia futura.

⚠ AVERTISSEMENT

Ne pas utiliser cet équipement sans avoir lu et compris le contenu de ce manuel ! Le non-respect des instructions contenues dans ce manuel peut entraîner de graves blessures ou la mort. Ce manuel contient des informations importantes concernant l'entretien, l'utilisation et le fonctionnement de ce produit. Si vous ne comprenez pas le contenu de ce manuel, veuillez le signaler à votre supérieur. Conservez ce manuel dans un endroit sûr pour pouvoir vous y référer plus tard.

Français = p 20

Important Owner Information..... 2
Introduction..... 2
Important Safety Information 3
Model Description 4
Model Designation 4
Specifications 5
 Electrical Rating Chart..... 5
 Dimensions 9
Installation..... 10
 General 10
 Tubular Stand Mounting 12
 Angle Bracket Mounting 12
 Chain Suspension Mounting 13
 Electrical Wiring Information..... 14

Operation..... 15
 General 15
Maintenance..... 16
 General 16
 Daily Cleaning 16
 Replacing Display Light Bulbs..... 16
Troubleshooting Guide 17
Options and Accessories 17
Limited Warranty 19
Authorized Parts Distributors Back Cover

IMPORTANT OWNER INFORMATION

Record the model number, serial number, voltage, and purchase date of the unit in the spaces below (specification label located on the side of the unit). Please have this information available when calling Hatco for service assistance.

Model No. _____
Serial No. _____
Voltage _____
Date of Purchase _____

Business Hours: 7:00 AM to 5:00 PM Monday–Friday, Central Time (CT)
(Summer Hours: June to September—7:00 AM to 5:00 PM Monday–Thursday 7:00 AM to 4:00 PM Friday)
Telephone: 800-558-0607; 414-671-6350
E-mail: support@hatcocorp.com



24 Hour 7 Day Parts and Service Assistance available in the United States and Canada by calling 800-558-0607.

Additional information can be found by visiting our web site at www.hatcocorp.com.

Register your unit!

Completing online warranty registration will prevent delay in obtaining warranty coverage. Access the Hatco website at www.hatcocorp.com, select the Support pull-down menu, and click on "Warranty".

INTRODUCTION

Glo-Ray® Infra-Black® Strip Heaters ensure maximum food holding time and minimize the risk of food-borne illness. Optimum safety and quality is the result of food held at the proper serving temperatures using Glo-Ray’s pre-focused heat patterns. Glo-Ray Infra-Black emitters provide a solid panel of uniform heat distribution that is ideal for limited space operations.

The metal sheathed heating elements housed in the Infra-Black emitters are guaranteed against burnout for two years.

Glo-Ray Infra-Black Strip Heaters are a product of extensive research and field testing. The materials used were selected for maximum durability, attractive appearance, and optimum performance. Every unit is inspected and tested thoroughly prior to shipment.

This manual provides the installation, safety, and operating instructions for Glo-Ray Infra-Black Strip Heaters. Hatco recommends all installation, operating, and safety instructions appearing in this manual be read prior to installation or operation of a unit.

Safety information that appears in this manual is identified by the following signal word panels:



WARNING indicates a hazardous situation which, if not avoided, could result in death or serious injury.



CAUTION indicates a hazardous situation which, if not avoided, could result in minor or moderate injury.



NOTICE is used to address practices not related to personal injury.



Read the following important safety information before using this equipment to avoid serious injury or death and to avoid damage to equipment or property.

WARNING

ELECTRIC SHOCK HAZARD:

- Units supplied without an electrical cord and plug require a hardwired connection to the on-site electrical system. Connection must be properly grounded and of the correct voltage, size, and configuration for the electrical specifications of the unit. Contact a qualified electrician to determine and install the proper electrical connection.
- Turn power OFF at fused disconnect switch/circuit breaker and allow unit to cool before performing any maintenance, adjustments, or cleaning.
- For hardwired units, all electrical connections must be in accordance with local electrical codes and any other applicable codes. Connections should be made by a qualified, licensed electrician.
- DO NOT submerge or saturate with water. Unit is not waterproof. Do not operate if unit has been submerged or saturated with water.
- Unit is not weatherproof. Locate unit indoors where the ambient air temperature is a minimum of 70°F (21°C).
- Do not steam clean or use excessive water on the unit.
- This unit is not “jet-proof” construction. Do not use jet-clean spray to clean this unit.
- Do not clean unit when it is energized or hot.
- This unit must be serviced by qualified personnel only. Service by unqualified personnel may lead to electric shock or burn.
- Use only Genuine Hatco Replacement Parts when service is required. Failure to use Genuine Hatco Replacement Parts will void all warranties and may subject operators of the equipment to hazardous electrical voltage, resulting in electrical shock or burn. Genuine Hatco Replacement Parts are specified to operate safely in the environments in which they are used. Some aftermarket or generic replacement parts do not have the characteristics that will allow them to operate safely in Hatco equipment.

FIRE HAZARD:

- Do not install unit above or around combustible surfaces. Discoloration or combustion could occur. Unit must be installed in non-combustible surroundings only.
- Do not store or use gasoline or other flammable vapors or liquids in the vicinity of this or any other appliance.

This unit has no “user-serviceable” parts. If service is required on this unit, contact an Authorized Hatco Service Agent or contact the Hatco Service Department at 800-558-0607 or 414-671-6350.

WARNING

Use only light bulbs that meet or exceed National Sanitation Foundation (NSF) standards and are specifically designed for food holding areas. Breakage of light bulbs not specially coated could result in personal injury and/or food contamination.

This unit is not intended for use by children or persons with reduced physical, sensory, or mental capabilities. Ensure proper supervision of children and keep them away from the unit.

Make sure all operators have been instructed on the safe and proper use of the unit.

For installation with chains, make sure the chains have sufficient strength and are securely fastened to both the strip heater and the mounting location. Poorly installed chains may cause the heater to loosen and fall. Do not place anything on top of heaters installed with chains.

CAUTION

BURN HAZARD: Some exterior surfaces on unit will get hot. Avoid unnecessary contact with unit.

Standard and approved manufacturing oils may smoke up to 30 minutes during initial startup. This is a temporary condition. Operate unit without food product until smoke dissipates.

Light-equipped strip heaters that require a circuit breaker 20 amps or larger must be installed with a remote control enclosure containing a fuse rated at 20 amps or less for the light circuit.

Ensure safe and proper operation. Refer to the “Minimum Clearance Requirements” listed in the INSTALLATION section of this manual.

NOTICE

Damage to countertop material such as Corian® and similar products caused by heat generated from Hatco equipment is not covered under the Hatco warranty. Contact the manufacturer of the countertop material for application information.

Remote mounted control boxes must be installed outside strip heater heat zone to prevent premature failure of components due to excessive heat.

Installation of two or more separate units with less than 3” (76 mm) between housings may result in premature failure of component parts. Failure to provide proper spacing may result in heat damage to electrical components and are not covered by warranty.

Use non-abrasive cleaners only. Abrasive cleaners could scratch the finish of the unit, marring its appearance and making it susceptible to soil accumulation.

MODEL DESCRIPTION

All Models

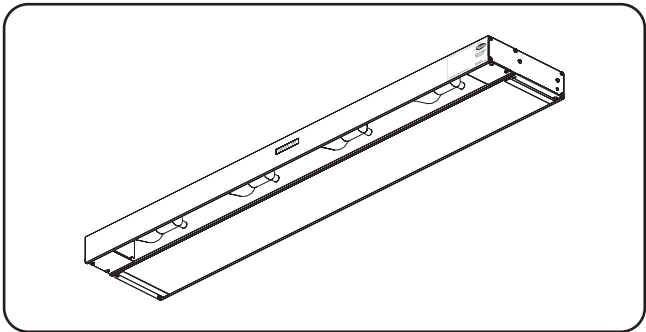
Glo-Ray® Infra-Black® Strip Heaters are perfect for foodwarming at a close range to food product. Heat from a metal sheathed heating element housed inside an Infra-Black emitter is distributed evenly throughout the entire surface area of the emitter. The emitter gives off a solid panel of heat downward onto the food product.

Glo-Ray Infra-Black Strip Heaters are constructed with aluminum housings in lengths of 18" (457 mm) to 72" (1829 mm).

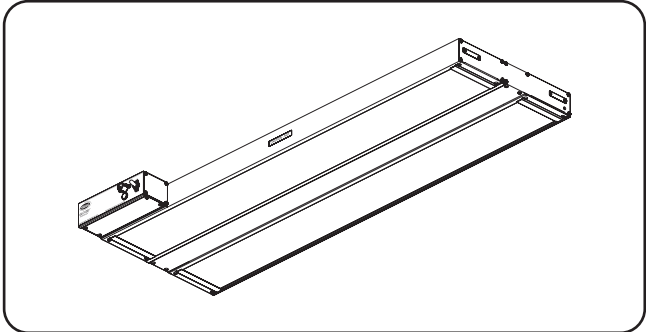
Dual models allow for side-by-side mounting of two heating elements to provide a wider holding area. Dual models are constructed with a standard 3" (76 mm) or optional 6" (152 mm) spacer between heating elements.

Glo-Ray Infra-Black Strip Heaters have several mounting options and switch locations. A thermostatic control box with indicator lights (TCBI) can be mounted on the unit with a thermostatic control, I/O (on/off) toggle switch, and an indicator light. Remote control enclosure(s) (RMBs) can be configured with infinite control(s), I/O (on/off) toggle switch(es), and/or indicator light(s). Units are available in several optional *Designer* colors and gloss finishes.

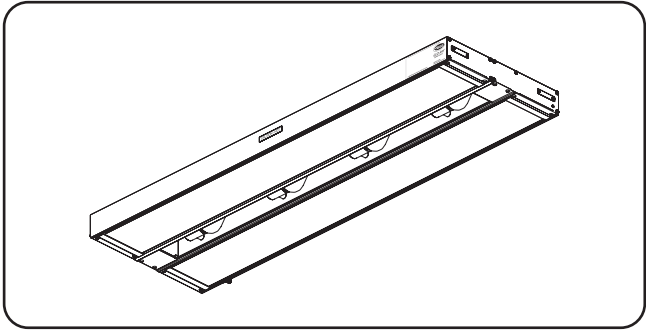
- GRAIH-xx:** Aluminum housing, single element
- GRAIHL-xx:** Aluminum housing, incandescent lights, single element
- GRAIH-xxD:** Aluminum housing, dual element
- GRAIHL-xxD:** Aluminum housing, incandescent lights, dual elements



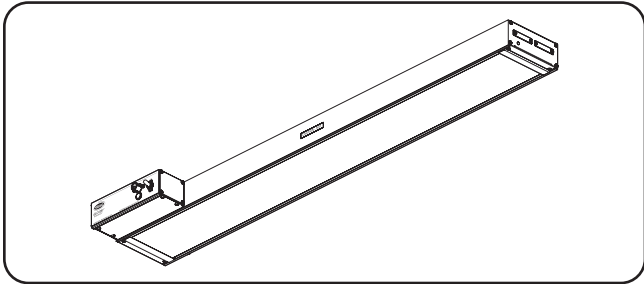
GRAIHL-xx Model



GRAIH-xxD Model with TCBI

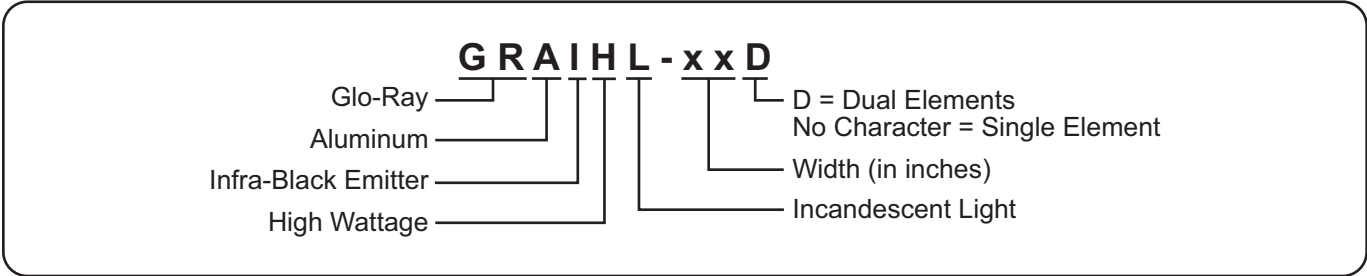


GRAIHL-xxD Model



GRAIH-xx Model with TCBI

MODEL DESIGNATION



Electrical Rating Chart — GRAIH-xx Models

Model	Voltage	Watts	Amps	Shipping Weight
GRAIH-18	120	350	2.9	6 lbs. (3 kg)
	208		1.7	
	240		1.5	
GRAIH-24	120	500	4.2	11 lbs. (5 kg)
	208		2.4	
	240		2.1	
GRAIH-30	120	660	5.5	13 lbs. (6 kg)
	208		3.2	
	240		2.8	
GRAIH-36	120	80	6.7	15 lbs. (7 kg)
	208		3.8	
	240		3.3	
GRAIH-42	120	950	7.9	17 lbs. (8 kg)
	208		4.6	
	240		4.0	
GRAIH-48	120	1100	9.2	21 lbs. (10 kg)
	208		5.3	
	240		4.6	
GRAIH-54	120	1250	10.4	24 lbs. (11 kg)
	208		6.0	
	240		5.2	
GRAIH-60	120	1400	11.7	27 lbs. (12 kg)
	208		6.7	
	240		5.8	
GRAIH-66	120 †	1560	13.0	30 lbs. (14 kg)
	208		7.5	
	240		6.5	
GRAIH-72	120 †	1725	14.4	33 lbs. (15 kg)
	208		8.3	
	240		7.2	

† Infinite control not available.

NOTE: Shipping weight does not include remote control enclosure. Add 2–8 lbs. (1–3 kg) to shipping weight depending on size of remote control enclosure.

Electrical Rating Chart — GRAIHL-xx Models

Model	Voltage	Watts	Amps	Shipping Weight
GRAIHL-18	120	470	3.9	12 lbs. (5 kg)
	120/208		2.7	
	120/240		2.5	
GRAIHL-24	120	620	5.2	15 lbs. (7 kg)
	120/208		3.4	
	120/240		3.1	
GRAIHL-30	120	780	6.5	17 lbs. (8 kg)
	120/208		4.2	
	120/240		3.8	
GRAIHL-36	120	980	8.2	20 lbs. (9 kg)
	120/208		5.3	
	120/240		4.8	
GRAIHL-42	120	1130	9.4	23 lbs. (10 kg)
	120/208		6.1	
	120/240		5.5	
GRAIHL-48	120	1340	11.2	26 lbs. (12 kg)
	120/208		7.3	
	120/240		6.6	
GRAIHL-54	120	1490	12.4	29 lbs. (13 kg)
	120/208		8.0	
	120/240		7.2	
GRAIHL-60	120	1700	14.2	33 lbs. (15 kg)
	120/208		9.2	
	120/240		8.3	
GRAIHL-66	120 †	1860	15.5	34 lbs. (15 kg)
	120/208		10.0	
	120/240		9.0	
GRAIHL-72	120 *	2085	17.4	36 lbs. (16 kg)
	120/208		11.3	
	120/240		10.2	

† Infinite control not available.

* Only available with remote control enclosure options.



Light-equipped strip heaters that require a circuit breaker 20 amps or larger must be installed with a remote control enclosure containing a fuse rated at 20 amps or less for the light circuit.

NOTE: GRAIHL-xx models that have multiple voltages listed, such as 120/208 or 120/240, have multiple internal circuits. For example a 120/208 volt unit utilizes 120 volts for light circuit and 208 volts for the heat circuit(s). Consult the Electrical Diagram supplied with the unit for specific information.

NOTE: Shipping weight does not include remote control enclosure. Add 2–8 lbs. (1–3 kg) to shipping weight depending on size of remote control enclosure.

Electrical Rating Chart — GRAIH-xxD Models

Model	Voltage	Watts	Amps	Shipping Weight
GRAIH-18D	120	700	5.8	13 lbs. (6 kg)
	208		3.4	
	240		2.9	
GRAIH-24D	120	1000	8.3	19 lbs. (9 kg)
	208		4.8	
	240		4.2	
GRAIH-30D	120	1320	11.0	21 lbs. (10 kg)
	208		6.3	
	240		5.5	
GRAIH-36D	120	1600	13.3	24 lbs. (11 kg)
	208		7.7	
	240		6.7	
GRAIH-42D	120	1900	15.8	27 lbs. (12 kg)
	208		9.1	
	240		7.9	
GRAIH-48D	120 *	2200	18.3	32 lbs. (15 kg)
	208		10.6	
	240		9.2	
GRAIH-54D	120 *	2500	20.8	35 lbs. (16 kg)
	208		12.0	
	240		10.4	
GRAIH-60D	120 *	2800	23.3	39 lbs. (18 kg)
	208		13.5	
	240		11.7	
GRAIH-66D	120 *	3120	26.0	42 lbs. (19 kg)
	208		15.0	
	240		13.0	
GRAIH-72D	120 *	3450	28.8	46 lbs. (21 kg)
	240		14.4	

* Only available with remote control enclosure options.

NOTE: Shipping weight does not include remote control enclosure. Add 2–8 lbs. (1–3 kg) to shipping weight depending on size of remote control enclosure.

Electrical Rating Chart — GRAIHL-xxD Models

Model	Voltage	Watts	Amps	Shipping Weight
GRAIHL-18D	120	820	6.8	18 lbs. (8 kg)
	120/208		4.4	
	120/240		3.9	
GRAIHL-24D	120	1120	9.3	21 lbs. (10 kg)
	120/208		5.8	
	120/240		5.2	
GRAIHL-30D	120	1440	12.0	23 lbs. (10 kg)
	120/208		7.3	
	120/240		6.5	
GRAIHL-36D	120	1780	14.8	27 lbs. (12 kg)
	120/208		9.2	
	120/240		8.2	
GRAIHL-42D	120	2080	17.3	30 lbs. (14 kg)
	120/208		10.6	
	120/240		9.4	
GRAIHL-48D	120 *	2440	20.3	35 lbs. (16 kg)
	120/208		12.6	
	120/240		11.2	
GRAIHL-54D	120 *	2740	22.8	38 lbs. (17 kg)
	120/208		14.0	
	120/240		12.2	
GRAIHL-60D	120 *	3100	25.8	42 lbs. (19 kg)
	120/208		16.0	
	120/240		14.2	
GRAIHL-66D	120 *	3420	28.5	44 lbs. (20 kg)
	120/240		15.5	

* Only available with remote control enclosure options.



NOTE: GRAIHL-xxD models that have multiple voltages listed, such as 120/208 or 120/240, have multiple internal circuits. For example a 120/208 volt unit utilizes 120 volts for light circuit and 208 volts for the heat circuit(s). Consult the Electrical Diagram supplied with the unit for specific information.

Light-equipped strip heaters that require a circuit breaker 20 amps or larger must be installed with a remote control enclosure containing a fuse rated at 20 amps or less for the light circuit.

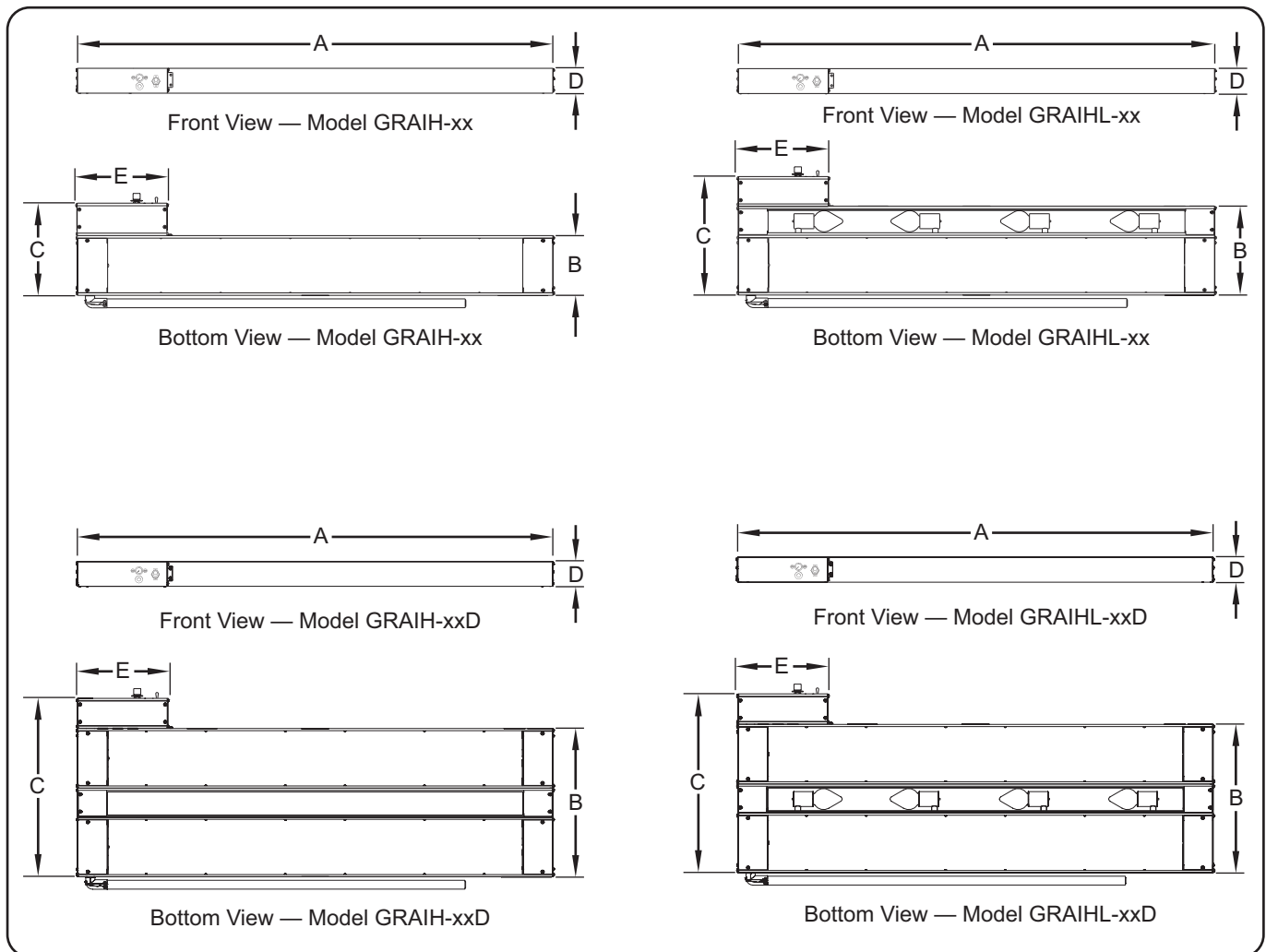
NOTE: Shipping weight does not include remote control enclosure. Add 2–8 lbs. (1–3 kg) to shipping weight depending on size of remote control enclosure.

Dimensions

Model	Width (A)	Depth (B)	Depth (C)	Height (D)	Width (E)
GRAIH-xx	18"-72" (457-1829 mm)	6" (152 mm)	9" (229 mm)	2-5/8" (66 mm)	8" (203 mm)
GRAIHL-xx	18"-72" (457-1829 mm)	9" (229 mm)	12" (305 mm)	2-5/8" (66 mm)	8" (203 mm)
GRAIH-xxD ‡	18"-72" (457-1829 mm)	15" (381 mm)	18" (457 mm)	2-5/8" (66 mm)	8" (203 mm)
GRAIHL-xxD ‡	18"-72" (457-1829 mm)	15" (381 mm)	18" (457 mm)	2-5/8" (66 mm)	8" (203 mm)

‡ Add 3" (76 mm) to Depth (B) and Depth (C) if unit is configured with an optional 6" (152 mm) spacer.

NOTE: Depth (C) dimension includes TCBI box.



General

Use the information in this section to prepare for and install an Infra-Black® Strip Heater. Make sure to locate the specific information for the type of installation. Infra-Black Strip Heaters are shipped with most components pre-assembled. Dual units are supplied with a required 3" (76 mm) or 6" (152 mm) spacer pre-assembled at the factory.

WARNING

ELECTRIC SHOCK HAZARD: Unit is not weatherproof. Locate the unit indoors where the ambient air temperature is a minimum of 70°F (21°C).

FIRE HAZARD: Do not install unit above or around combustible surfaces. Discoloration or combustion could occur. Unit must be installed in non-combustible surroundings only.

CAUTION

Ensure safe and proper operation. Refer to the "Minimum Clearance Requirements" listed in the INSTALLATION section of this manual.

NOTICE

Damage to countertop material such as Corian® and similar products caused by heat generated from Hatco equipment is not covered under the Hatco warranty. Contact the manufacturer of the countertop material for application information.

NOTE: Contact the countertop manufacturer of the base material for application information and surface temperature limits before installing the unit.

1. Remove the unit from the shipping carton and remove all packing materials.

NOTE: To prevent delay in obtaining warranty coverage, complete online warranty registration. See the IMPORTANT OWNER INFORMATION section for details.

2. Remove tape and protective packaging from all surfaces of the unit.

NOTE: If the unit is configured with optional equipment, see the OPTIONS AND ACCESSORIES section in this manual.

3. Refer to the appropriate mounting procedure in this section for the desired mounting style.

Dual Mounting

When mounting units side-by-side, a space not less than 3" (76 mm) must be maintained between units. Dual units ordered from the factory are shipped with a pre-assembled 3" (76 mm) or 6" (152 mm) spacer.

NOTICE

Installation of two or more separate units with less than 3" (76 mm) between housings may result in premature failure of component parts. Failure to provide proper spacing may result in heat damage to electrical components and are not covered by warranty.

Under Shelf Mounting

When mounting a unit under a shelf, use adjustable angle brackets to assure proper spacing. Remote control enclosures are recommended to keep switches out of the heat zone and prevent premature failure.

Pass-Through

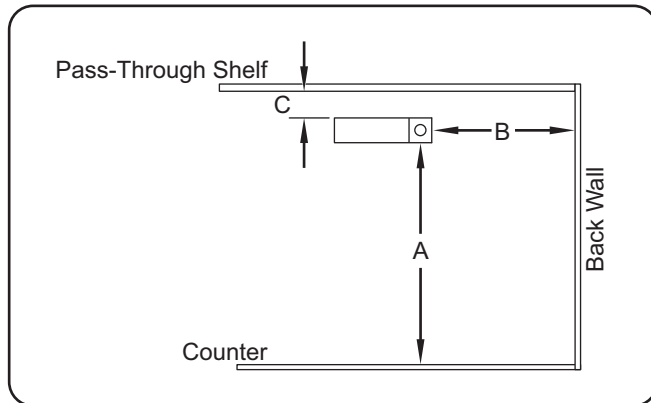
If pass-through area is under 9 1/2" (241 mm) deep, a single unit can be used. For a 10" to 19" (254 to 483 mm) deep pass-through area, a dual unit is recommended. Installation of multiple units must have a minimum spacing of 3" (76 mm) between strip heaters.

Over Steam Table

When mounting over a steam table, a remote control enclosure must be installed.

Minimum Clearance Requirements

Models	A	B	C
GRAIH and GRAIHL with TCBI	4" (102 mm)	■	1" (25 mm)
GRAIH and GRAIHL with RMB	4" (102 mm)	3" (76 mm)	0" (0 mm)
GRAIH-xxD and GRAIHL-xxD with TCBI	8" (203 mm)	■	1" (25 mm)
GRAIH-xxD and GRAIHL-xxD with RMB	8" (203 mm)	3" (76 mm)	0" (0 mm)

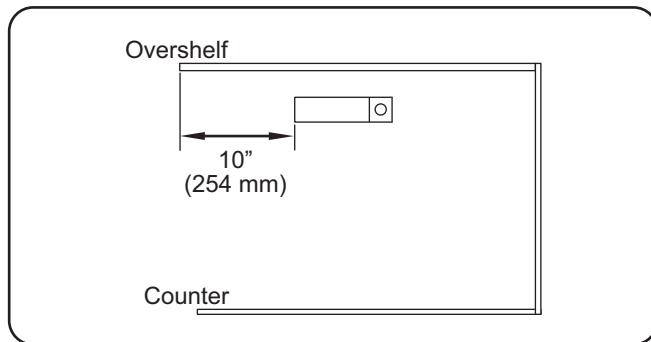


Minimum Clearance Requirements

- Must be a pass-through application, not allowed with back wall installation.

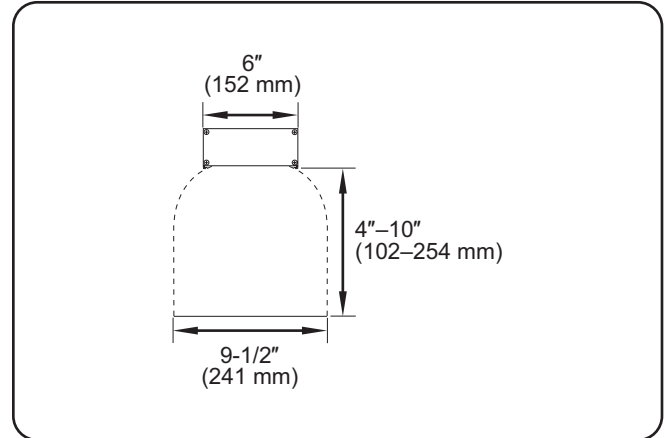
Maximum Overshelf Clearance Requirements

Units should be mounted at a maximum distance of 10" (254 mm) from the front of an overshelf.

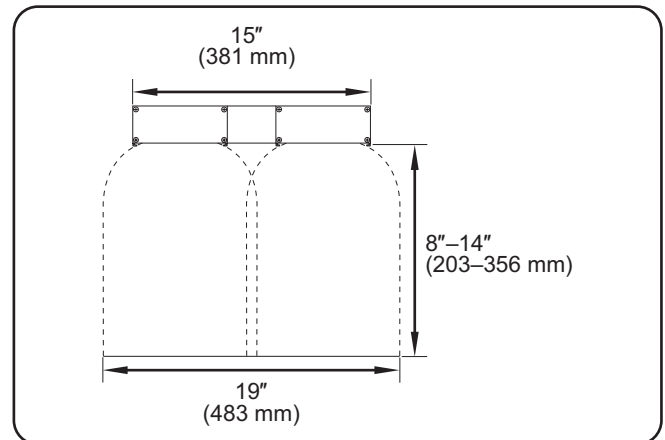


Maximum Overshelf Clearance Requirements

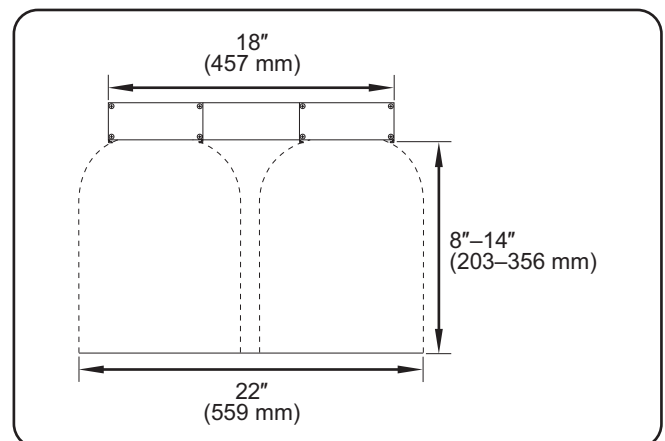
Recommended Mounting Heights



Recommended Element Height for GRAIH-xx and GRAIHL-xx models



Recommended Element Height for GRAIH-xxD and GRAIHL-xxD models with a 3" (76 mm) spacer



Recommended Element Height for GRAIH-xxD and GRAIHL-xxD models with a 6" (152 mm) spacer

Tubular Stand Mounting

Mounting a unit with non-adjustable tubular stands permanently attaches the unit to a countertop or serving table.



Ensure safe and proper operation. Refer to the “Minimum Clearance Requirements” listed in the INSTALLATION section of this manual.

Tubular stands are available in aluminum, *Designer* colors, or gloss finishes in heights of 4” to 14” (102 to 356 mm) in 2” (51 mm) increments.

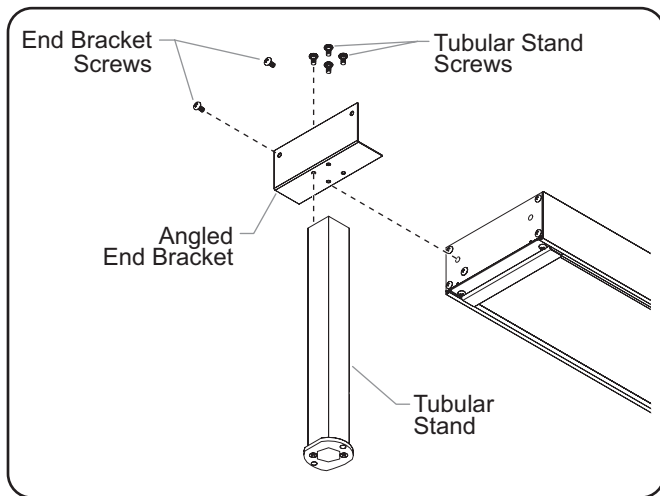
NOTE: Tubular stands cannot be retrofitted in the field.

1. Position the unit upside-down on a flat surface.

NOTE: Units for this application are supplied with the conduit attached to one side of the unit. Conduit should not be removed.

2. Secure the top of the tubular stand to the bottom of the angled end bracket using the screws supplied.
3. Secure the angled end bracket to the end plate of the unit with the previously removed hanger tab screws.
4. Repeat steps 2 and 3 on the opposite end of the unit.
5. Secure the stands to the mounting surface using appropriate fasteners.

NOTE: Two pairs of tubular stands will be needed for mounting dual units.



Tubular Stand Mounting

Angle Bracket Mounting

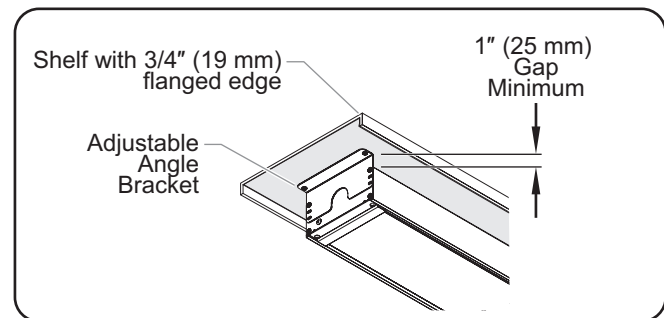
Mounting a unit with an angle bracket permanently attaches the unit to the underside of a shelf. It can be mounted to a flat shelf or a shelf with rolled/flanged edges. The adjustable angle brackets will provide the necessary gap between the unit and a combustible shelf.

If the shelf has a rolled or flanged edge, use the optional adjustable angle brackets to mount the unit below the lowest part of the rolled or flanged edge of the shelf (a minimum gap of 1” [25 mm] is required between the unit and the underside of a rolled or flanged edge of the shelf to prevent heat damage to the electrical system of the unit).



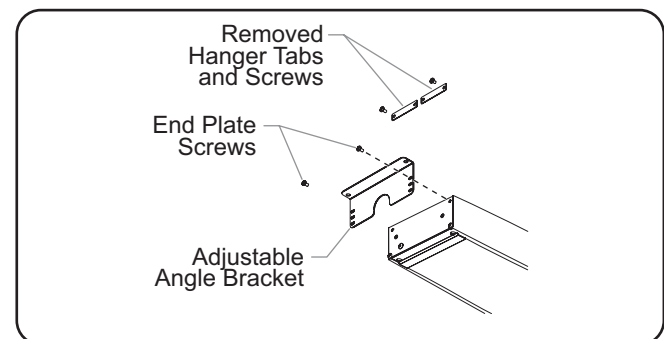
Ensure safe and proper operation. Refer to the “Minimum Clearance Requirements” listed in the INSTALLATION section of this manual.

NOTE: When mounting the unit under a shelf, it is recommended to use a remote control enclosure.



Flanged Edge Shelf Installation

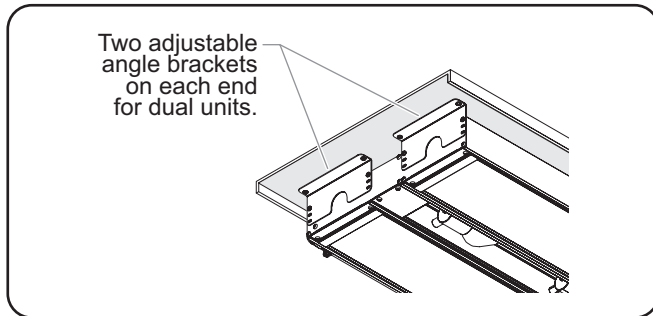
1. Position the unit on a flat surface with the heating element facing down.
2. Remove the two hanger tab screws and hanger tabs. These items will not be needed.
3. Remove the two upper end plate screws.
4. Align the adjustable angle bracket to the end plate mounting holes of the unit. Secure angle bracket with previously removed end plate screws.



Adjustable Angle Bracket Installation

5. Fasten the angle bracket to the underside of the shelf using appropriate fasteners (not supplied by Hatco).

NOTE: Two pairs of brackets will be needed for dual units.



Dual Unit Mounting

Chain Suspension Mounting

Mounting a unit with chain suspension attaches the unit to an overhead surface with the use of "S" hooks.

NOTE: Units ordered with the "S" hook option come with two "S" hooks and two 6" (152 mm) lengths of chain. Additional chain (P/N 05.03.020.00) can be ordered from Hatco for the overhead mounting system or another option can be determined by a qualified installer.

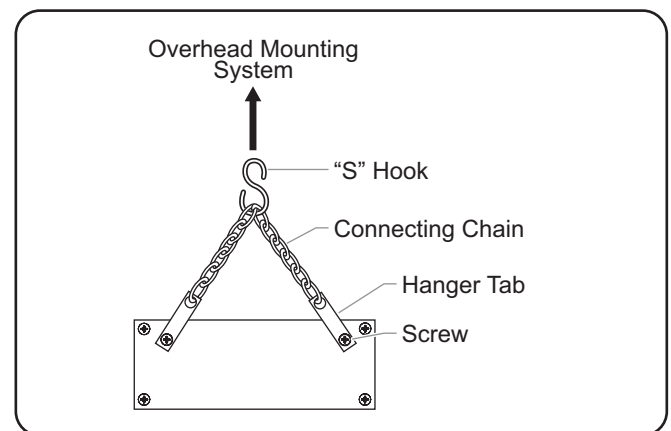
⚠ WARNING

For installation with chains, make sure the chains have sufficient strength and are securely fastened to both the unit and the mounting location. Poorly installed chains may cause the unit to loosen and fall. Do not place anything on top of units installed with chains.

Ensure safe and proper operation. Refer to the "Minimum Clearance Requirements" listed in the INSTALLATION section of this manual.

NOTE: The strength of the chain supplied by Hatco is sufficient to hold the weight of the unit securely only when mounted properly.

1. Prepare the overhead mounting system for the "S" hooks. Make sure the system is secure and is set up so the unit will be suspended at a level, safe, and proper distance from walls, counter, and food.
2. Loosen, but do not remove the screws securing the hanger tabs on each end of the unit. Rotate the tabs up, then tighten the screws securely.
3. Securely attach one of the 6" (152 mm) connecting chains between each pair of hanger tabs.
4. Attach an "S" hook to the center of each connecting chain.
5. Carefully lift the unit and attach the "S" hooks on each end of the unit to the overhead mounting system. Make sure the unit is level.



"S" Hook Mounting

Electrical Wiring Information

Refer to the Electrical Rating Charts in the SPECIFICATIONS section for unit specific information.



ELECTRIC SHOCK HAZARD: For hardwired units, all electrical connections must be in accordance with local electrical codes and any other applicable codes. Connections should be made by a qualified, licensed electrician.



Strip heaters equipped with incandescent lights that require a circuit breaker larger than 20 amps for the heat element must have a separate circuit breaker for the incandescent lights that is 20 amps or less.

NOTE: If the unit being installed is not shown or listed in this manual, refer to the wiring diagram supplied with the unit and the installation information on the unit for further instructions.

Power Supply

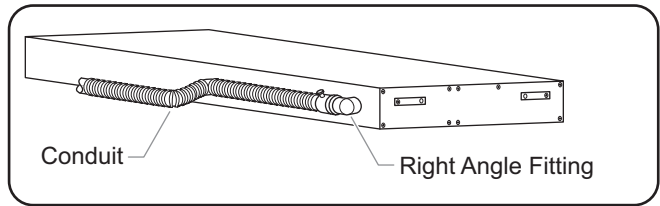
Install supply wire and connectors suitable for at least 194°F (90°C).

- Use a minimum of No. 14 AWG copper wire for individual circuits up to 15 amps.
- Use a minimum of No. 12 AWG copper wire for individual circuits 15 to 20 amps.
- Use a minimum of No. 10 AWG copper wire for individual circuits 20 to 25 amps.
- Use a minimum of No. 8 AWG copper wire for individual circuits 25 to 30 amps.

NOTE: Refer to the wiring diagram supplied with the unit and specifications label attached to the unit for specific electrical information.

Conduit Connection

Units supplied with a right angle fitting and flexible conduit attached have had all internal connections completed at the factory. Attach the proper power supply leads to the high temperature lead wires in the conduit.



Conduit Connections

NOTE: Refer to the wiring diagram supplied with the unit and specifications label attached to the unit for specific electrical information.

Remote Control Enclosures

Hatco remote control enclosures include switches, wire leads, and/or indicator lights and are ready for installation.

The RMB Series require one remote control enclosure per strip heater. The RMB2 Series allows multiple strip heaters to be connected to one remote control enclosure.

NOTE: Remote control enclosures are available in several configurations depending on the model. All enclosures are built in accordance with UL standards to accommodate switches, indicator lights, and wiring. See the OPTIONS AND ACCESSORIES section in this manual for more information.

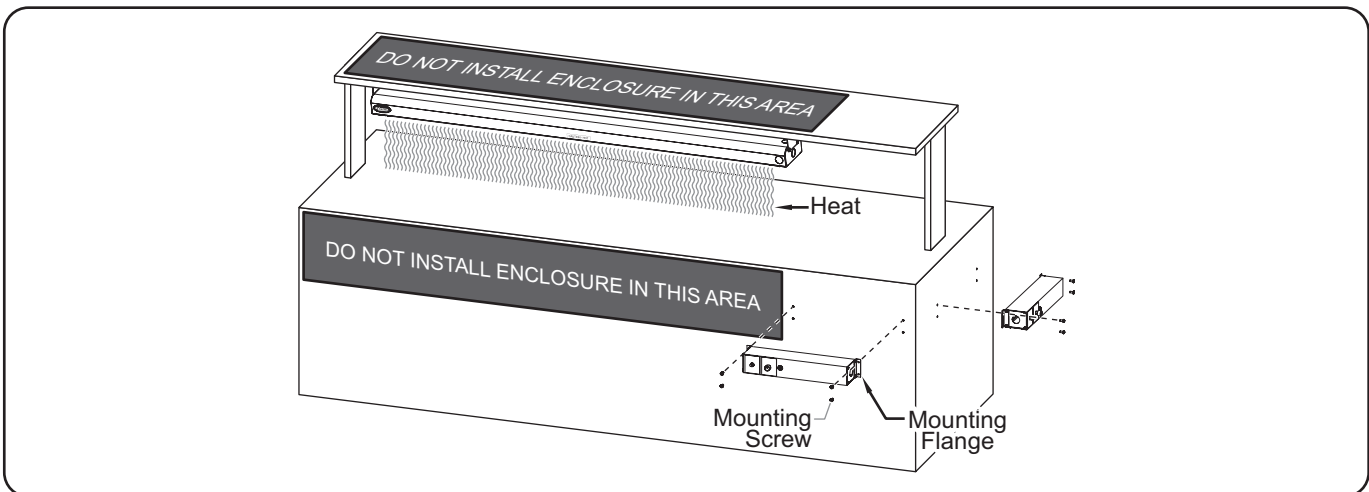
IMPORTANT NOTE:

Remote mounted enclosures and control switches must be installed in a cool, dry location as far away from any heat zone as possible. Do not mount enclosures or switches directly on, under, or above unit. Do not mount enclosures or switches in direct contact with any heated surface or near any steam generating equipment.

NOTE: When two or more units are mounted where the heat from one housing tends to raise the temperature of another, the control switches should be installed in a remote control enclosure. Units in a multiple installation should use remote mounted control switches.



To prevent premature failure of components due to excessive heat, remote mounted control switches must be installed outside the strip heater heat zone.



Remote Mounted Enclosure Installation Locations

General

Glo-Ray® Infra-Black® Strip Heaters are designed for ease of operation. Use the following information and procedures to operate the unit.



WARNING

Read all safety messages in the **IMPORTANT SAFETY INFORMATION** section before operating this equipment.



CAUTION

BURN HAZARD: Some exterior surfaces on the unit will get hot. Avoid unnecessary contact with unit.

Controls

Infra-Black Strip Heaters are equipped with either a Thermostatic Control Box with Indicator Lights (TCBI) mounted on the unit or an optional remote control enclosure (RMB) mounted remotely. The following is a list of the available controls for either control configuration.

I/O (on/off) Toggle Switch—Turns power on and off to the heating elements and/or the lights.

Thermostatic Control—Controls the temperature of the heating element(s). The thermostatic control is available only on a TCBI-equipped unit.

Infinite Control—Turns on the power and controls the output of the heating elements. The infinite control is available only on a remote control enclosure.

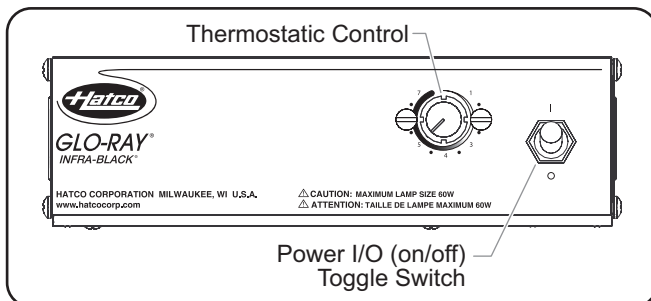
Indicator Light—Illuminates when power is on, shuts off when power is off.

Startup

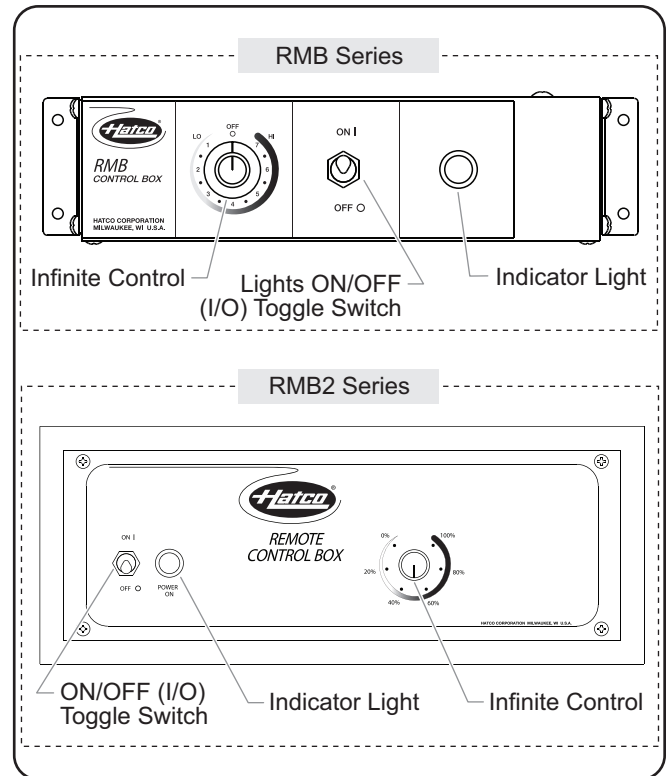
1. Move the I/O (on/off) toggle switch to the **I** (on) position and/or turn the infinite control(s) to the desired setting.
 - The indicator light (if equipped) will illuminate and the heating elements will energize.
2. For units with a thermostatic control, turn the control to the desired setting.

NOTE: Allow 15–20 minutes to reach operating temperature.

3. For units with display lights, move the lights I/O (on/off) toggle switch to the **I** (on) position to turn on the lights.



Thermostatic Control Box with Indicator Lights (TCBI)



Remote Control Enclosures

NOTE: Refer to the **OPTIONS AND ACCESSORIES** section for remote control enclosure information.

Shutdown

1. Move the I/O (on/off) toggle switch to the **O** (off) position and/or turn the infinite control(s) to the **O** (off) position.
 - The indicator light (if equipped) will shut off and the heating elements will shut down.
2. For units with display lights, move the lights I/O (on/off) toggle switch to the **O** (off) position.

General

Glo-Ray® Infra-Black® Strip Heaters are designed for maximum durability and performance with minimum maintenance.



ELECTRIC SHOCK HAZARD:

- Turn power OFF at fused disconnect switch/circuit breaker and allow unit to cool before performing any maintenance, adjustments, or cleaning.
- **DO NOT submerge or saturate with water. Unit is not waterproof. Do not operate if unit has been submerged or saturated with water.**
- Do not steam clean or use excessive water on unit.
- This unit is not “jet-proof” construction. Do not use jet-clean spray to clean this unit.

This unit has no “user-serviceable” parts. If service is required on this unit, contact an Authorized Hatco Service Agent or contact the Hatco Service Department at 800-558-0607 or 414-671-6350.

Use only Genuine Hatco Replacement Parts when service is required. Failure to use Genuine Hatco Replacement Parts will void all warranties and may subject operators of the equipment to hazardous electrical voltage, resulting in electrical shock or burn. Genuine Hatco Replacement Parts are specified to operate safely in the environments in which they are used. Some aftermarket or generic replacement parts do not have the characteristics that will allow them to operate safely in Hatco equipment.

Daily Cleaning

To preserve the finish of the Strip Heater, it is recommended that all surfaces be cleaned daily.

NOTICE

Use non-abrasive cleaners only. Abrasive cleaners could scratch the finish of the unit, marring its appearance and making it susceptible to soil accumulation.

1. Turn off the unit and allow the unit to cool.
2. Wipe down all metal surfaces with a clean, damp cloth. Stubborn stains may be removed with a good stainless steel or non-abrasive cleaner. Clean hard to reach areas using a small brush and mild soap.

Replacing Display Light Bulbs



Use only light bulbs that meet or exceed National Sanitation Foundation (NSF) standards and are specifically designed for food holding areas. Breakage of light bulbs not specially coated could result in personal injury and/or food contamination.

The display light is an incandescent bulb that illuminates the warming area. This bulb has a special coating to guard against injury and food contamination in the event of breakage.

To replace a light bulb:

1. Disconnect the power supply and wait until the unit has cooled.
2. Unscrew the light bulb from the unit and replace it with a new, specially-coated incandescent light bulb.

NOTE: Hatco shatter-resistant light bulbs meet NSF standards for food holding and display areas. For 120, 120/208, and 120/240 volt applications, use Hatco P/N 02.30.265.00.

NOTE: Halogen bulbs are available as an option. For 120, 120/208, and 120/240 volt applications, use Hatco P/N 02.30.081.00.



This unit must be serviced by qualified personnel only. Service by unqualified personnel may lead to electric shock or burn.



ELECTRIC SHOCK HAZARD: Turn power OFF at fused disconnect switch/circuit breaker and allow unit to cool before performing any maintenance, adjustments, or cleaning.

Symptom	Probable Cause	Corrective Action
Unit is turned ON but there is no heat.	No power to unit.	Check circuit breaker and reset as necessary.
	Switch is defective.	Contact Authorized Service Agent or Hatco for assistance.
	Wiring is open.	
	Heating element defective.	
Heat is inadequate.	Unit mounted too high above target area.	Lower unit, putting effective heat closer to target.
	Excessive air movement around strip heater target area.	Restrict or redirect air movement (air conditioning duct or exhaust fan) away from unit.
	Incorrect power supply (low).	Check power supply to unit, making sure it matches rating on the unit. If power supply is incorrect, change to match rating on unit.
	Temperature control set too low.	Move temperature control to higher setting.
Heat is excessive.	Unit mounted too close to target area.	Check to see that installation is within specifications for type/model. Increase mounting height if too close.
	Voltage supply too high.	Check power supply to unit, making sure it matches rating on unit. If power supply is incorrect, change to match rating.
	Temperature control set too high.	Move temperature control to lower setting.
Control switches burn out rapidly.	Switches are mounted in the heat zone.	Check switch location per Hatco guidelines in this manual. Relocate switches to a cooler zone if installation is incorrect.
	Switches used are not Hatco supplied.	Genuine Hatco Parts are specified to operate safely and properly in the environment in which they are used. Contact Authorized Service Agent or Hatco to replace switches with Genuine Hatco Replacement Parts.

Troubleshooting Questions?

If you continue to have problems resolving an issue, please contact the nearest Authorized Hatco Service Agency or Hatco for assistance. To locate the nearest Service Agency, log onto the Hatco website at www.hatcocorp.com, select the *Support* pull-down menu, and click on "Find A Service Agent"; or contact the **Hatco Parts and Service Team** at:

Telephone: 800-558-0607 or 414-671-6350

e-mail: support@hatcocorp.com

OPTIONS AND ACCESSORIES

Chef LED Bulbs

Chef LED bulbs are available for all lighted units. Chef LED bulbs are LED light bulbs that offer energy savings over incandescent bulbs. Use the following for replacement bulbs:

120 Volts

2700K: R02.30.185.01

3000K: R02.30.195.01

4000K: R02.30.196.01

230 Volts

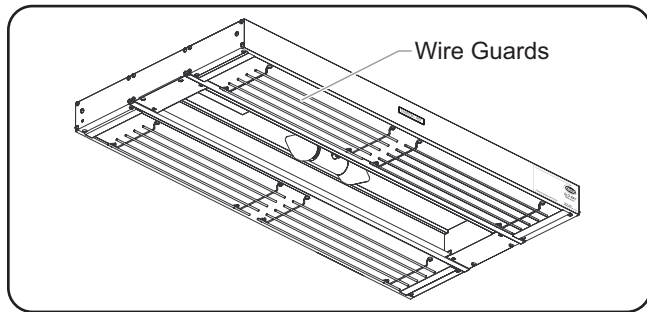
2700K: R02.30.197.01

3000K: R02.30.198.01

4000K: R02.30.199.01

Element Wire Guard

Element Wire Guards are available as a factory-installed option. Element Wire Guards protect users from incidental contact with the heated surface. GRAIH-xxD and GRAIHL-xxD require two sets of wire guards.



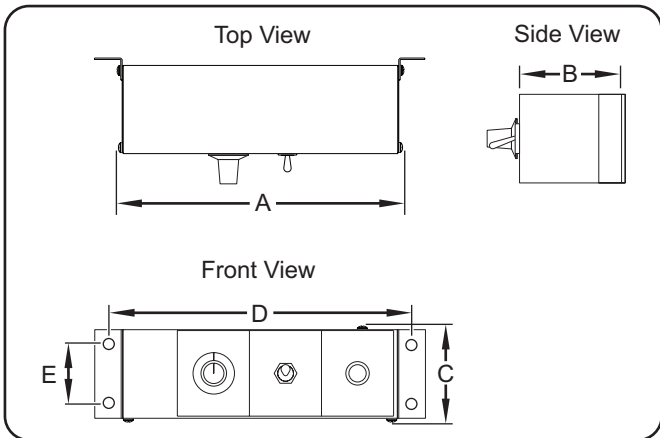
GRAIHL-xxD with Element Wire Guards

Remote Control Enclosure — RMB Series

RMB Series remote control enclosures are available in various sizes and configurations for use with strip heaters. Remote control enclosures locate controls away from the constant heat of the unit, increasing the life span of the controls. All models are built in accordance with UL standards with switches, indicator lights, and wiring. Consult the factory for type and location of RMB Series controls for enclosure.

NOTE: RMB Series remote control enclosures require one remote control enclosure per strip heater.

Models	Width (A)	Depth (B)	Height (C)	Screw Width (D)	Screw Height (E)
RMB-3 Series	5-15/16" (150 mm)	3" (76 mm)	2-5/8" (67 mm)	6-5/16" (161 mm)	1-5/8" (41 mm)
RMB-7 Series	9-3/8" (239 mm)	3" (76 mm)	2-5/8" (67 mm)	9-13/16" (249 mm)	1-5/8" (41 mm)
RMB-14 Series	14-3/8" (366 mm)	3" (76 mm)	2-5/8" (67 mm)	14-13/16" (376 mm)	1-5/8" (41 mm)
RMB-16 Series	16-3/8" (417 mm)	3" (76 mm)	2-5/8" (67 mm)	16-13/16" (427 mm)	1-5/8" (41 mm)
RMB-20 Series	20-3/8" (518 mm)	3" (76 mm)	2-5/8" (67 mm)	20-13/16" (529 mm)	1-5/8" (41 mm)



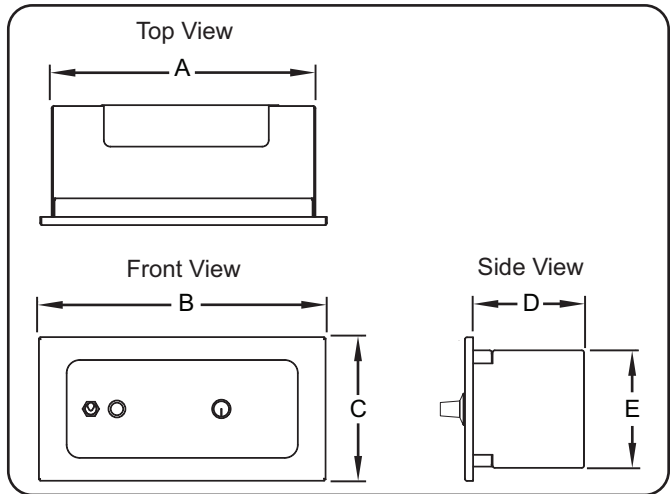
Dimensions — RMB Series

Remote Control Enclosure — RMB2 Series

RMB2 Series remote control enclosures allow multiple strip heaters to be wired to and controlled by a single enclosure. The total amp draw of all connected strip heaters cannot exceed the rating of the remote control enclosure. Consult the factory for information regarding the proper RMB2 Series remote control enclosure for a specific application.

RMB2 Series Dimensions

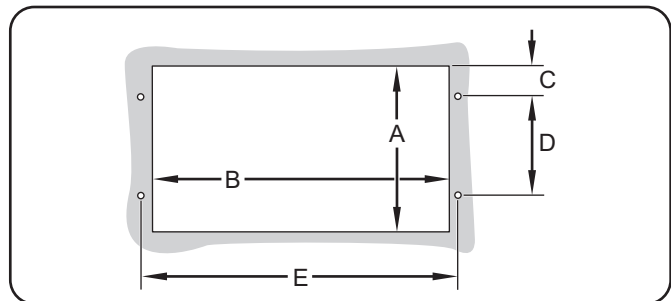
Models	Width (A)	Width (B)	Height (C)	Depth (D)	Height (E)
RMB2-1R	10-1/8" (257 mm)	11" (279 mm)	5-1/2" (140 mm)	4-1/4" (109 mm)	4-5/8" (116 mm)
RMB2-2R	13-1/8" (333 mm)	14" (356 mm)	5-1/2" (140 mm)	4-1/4" (109 mm)	4-5/8" (116 mm)



Dimensions — RMB2 Series

RMB2 Series Cutout Dimensions

Models	Opening Cutout Dimensions		Screw Hole Dimensions		
	(A)	(B)	(C)	(D)	(E)
RMB2-1R	4-3/4" (121 mm)	10-1/8" (257 mm)	1-1/8" (29 mm)	2-1/2" (64 mm)	10-7/16" (265 mm)
RMB2-2R	4-3/4" (121 mm)	13-1/8" (333 mm)	1-1/8" (29 mm)	2-1/2" (64 mm)	13-7/16" (341 mm)



Cutout Dimensions — RMB2 Series

1. PRODUCT WARRANTY

Hatco warrants the products that it manufactures (the "Products") to be free from defects in materials and workmanship, under normal use and service, for a period of one (1) year from the date of purchase when installed and maintained in accordance with Hatco's written instructions or 18 months from the date of shipment from Hatco. Buyer must establish the Product's purchase date by registering the Product with Hatco or by other means satisfactory to Hatco in its sole discretion.

Hatco warrants the following Product components to be free from defects in materials and workmanship from the date of purchase (subject to the foregoing conditions) for the period(s) of time and on the conditions listed below:

a) One (1) Year Parts and Labor PLUS One (1) Additional Year Parts-Only Warranty:

Conveyor Toaster Elements (metal sheathed)
 Drawer Warmer Elements (metal sheathed)
 Drawer Warmer Drawer Rollers and Slides
 Strip Heater Elements (metal sheathed)
 Display Warmer Elements (metal sheathed air heating)
 Holding Cabinet Elements (metal sheathed air heating)
 Heated Well Elements — HW and HWB Series
 (metal sheathed)

b) Two (2) Year Parts and Labor Warranty:

Induction Ranges
 Induction Warmers

c) One (1) Year Parts and Labor PLUS Four (4) Years Parts-Only Warranty:

3CS and FR Tanks

d) One (1) Year Parts and Labor PLUS Nine (9) Years Parts-Only Warranty on:

Electric Booster Heater Tanks
 Gas Booster Heater Tanks

e) Ninety (90) Day Parts-Only Warranty:

Replacement Parts

THE FOREGOING WARRANTIES ARE EXCLUSIVE AND IN LIEU OF ANY OTHER WARRANTY, EXPRESSED OR IMPLIED, INCLUDING BUT NOT LIMITED TO ANY IMPLIED WARRANTY OF MERCHANTABILITY OR FITNESS FOR A PARTICULAR PURPOSE OR PATENT OR OTHER INTELLECTUAL PROPERTY RIGHT INFRINGEMENT. Without limiting the generality of the foregoing, SUCH WARRANTIES DO NOT COVER: Coated incandescent light bulbs, fluorescent lights, heat lamp bulbs, coated halogen light bulbs, halogen heat lamp bulbs, xenon light bulbs, LED light tubes, glass components, and fuses; Product failure in booster tank, fin tube heat exchanger, or other water heating equipment caused by liming, sediment buildup, chemical attack, or freezing; or Product misuse, tampering or misapplication, improper installation, or application of improper voltage.

2. LIMITATION OF REMEDIES AND DAMAGES

Hatco's liability and Buyer's exclusive remedy hereunder will be limited solely, at Hatco's option, to repair or replacement using new or refurbished parts or Product by Hatco or a Hatco-authorized service agency (other than where Buyer is located outside of the United States, Canada, United Kingdom, or Australia, in which case Hatco's liability and Buyer's exclusive remedy hereunder will be limited solely to replacement of part under warranty) with respect to any claim made within the applicable warranty period referred to above. Hatco reserves the right to accept or reject any such claim in whole or in part. In the context of this Limited Warranty, "refurbished" means a part or Product that has been returned to its original specifications by Hatco or a Hatco-authorized service agency. Hatco will not accept the return of any Product without prior written approval from Hatco, and all such approved returns shall be made at Buyer's sole expense. HATCO WILL NOT BE LIABLE, UNDER ANY CIRCUMSTANCES, FOR CONSEQUENTIAL OR INCIDENTAL DAMAGES, INCLUDING BUT NOT LIMITED TO LABOR COSTS OR LOST PROFITS RESULTING FROM THE USE OF OR INABILITY TO USE THE PRODUCTS OR FROM THE PRODUCTS BEING INCORPORATED IN OR BECOMING A COMPONENT OF ANY OTHER PRODUCT OR GOODS.

Informations Importantes pour le Propriétaire	20	Mode d'emploi	33
Introduction.....	20	Généralités	33
Consignes de Sécurité Importantes.....	21	Maintenance.....	34
Description du Modèle.....	22	Généralités	34
Désignation du Modèle.....	23	Nettoyage quotidien.....	34
Caractéristiques Techniques	23	Remplacement du tube d'éclairage.....	34
Tableau des valeurs nominales électriques	23	Guide de Dépannage.....	35
Dimensions	27	Options et Accessoires	36
Installation.....	28	Garantie Limitée	37
Généralités	28	Autorisés Distributeurs de Pièces.....	Couverture Arrière
Montage du support tubulaire.....	30		
Montage avec des équerres de fixation	30		
Montage en suspension sur chaînes	31		
Informations sur le câblage électrique	32		

INFORMATIONS IMPORTANTES POUR LE PROPRIÉTAIRE

Notez le numéro de modèle, le numéro de série, la tension et la date d'achat de l'appareil dans les espaces ci-dessous (étiquette de caractéristiques techniques située sur le côté de l'appareil). Veuillez avoir cette information à portée de la main si vous appelez Hatco pour assistance.

Modèle No. _____

Numéro de série _____

Voltage _____

Date d'achat _____

Enregistrez votre appareil!

Remplissez la garantie en ligne pour éviter les retards pour faire jouer la garantie. Accédez au site Web Hatco : www.hatcocorp.com, sélectionnez le menu déroulant : Support (Assistance), puis cliquez sur « Warranty » (Garantie).

Horaires

ouvrables : 7h00 à 17h00 du lundi au vendredi
Heure du Centre (CT)
(Horaires d'été : juin à septembre—
7h00 à 17h00 du lundi au jeudi
7h00 à 16h00 le vendredi)

Téléphone: 800-558-0607; 414-671-6350

Courriel: support@hatcocorp.com



Service d'assistance et de pièces de rechange disponible 7j/7, 24h/24 aux États-Unis et au Canada en composant le 800-558-0607.

Des renseignements supplémentaires sont disponibles sur notre site Web à www.hatcocorp.com.

INTRODUCTION

Les rampes chauffantes Infra-Black® Glo-Ray® assurent un temps de maintien de la nourriture maximal et diminuent le risque de maladies alimentaires. Une sécurité et une qualité optimales sont le résultat du maintien de la nourriture à la bonne température de service grâce aux profils de chaleur prédéterminés de Glo-Ray. Les émetteurs Infra-Black de Glo-Ray assurent une couverture solide de distribution uniforme de la chaleur pour les utilisations en espace limité.

Les éléments chauffants à gaines métalliques contenus dans les émetteurs Infra-Black sont garantis contre les pannes pendant deux ans.

Les rampes chauffantes Infra-Black Glo-Ray sont des produits issus d'une recherche approfondie et d'essais sur le terrain. Les matériaux utilisés ont été sélectionnés pour un maximum de durabilité, d'aspect esthétique et de performance optimum. Chaque appareil est minutieusement inspecté et testé avant expédition.

Ce manuel fournit les consignes d'installation, de sécurité et de fonctionnement des rampes chauffantes Infra-Black Glo-Ray. Hatco vous recommande de lire l'ensemble des instructions d'installation, de sécurité et de fonctionnement contenues dans ce manuel avant d'installer et d'utiliser l'appareil.

Les consignes de sécurité qui apparaissent dans ce manuel sont identifiées par les mots indicateurs suivants :

⚠ AVERTISSEMENT

AVERTISSEMENT indique une situation dangereuse qui, si elle n'est pas évitée, peut provoquer la mort ou des blessures graves.

⚠ ATTENTION

ATTENTION indique une situation dangereuse qui, si elle n'est pas évitée, peut provoquer des blessures légères ou moyennes.

AVIS

AVIS est utilisé pour des questions sans rapport avec des blessures corporelles.



Lisez l'information de sécurité importante suivante avant d'utiliser cet équipement pour éviter des dommages ou la mort sérieux et pour éviter d'endommager l'équipement ou la propriété.

⚠ AVERTISSEMENT

DANGER DE DÉCHARGE ÉLECTRIQUE :

- Les appareils fournis sans cordon ni prise électrique nécessitent un branchement câblé au système électrique sur place. Le câblage doit être mis à la terre de manière appropriée. Son voltage, ses dimensions et sa configuration doivent également correspondre aux spécifications électriques de l'appareil. Contactez un électricien qualifié pour procéder au choix et à l'installation de branchements électriques adaptés.
- Mettez hors tension au niveau de l'interrupteur à fusible/disjoncteur et laissez l'appareil refroidir avant d'effectuer toute opération de maintenance, tout réglage ou tout nettoyage.
- Pour les appareils câblés sur place, tous les raccords électriques doivent être conformes aux normes électriques locales et à toutes les autres normes en vigueur. Les raccords doivent être effectués par un électricien qualifié et certifié.
- NE PAS immerger l'appareil ni le saturer d'eau. L'appareil n'est pas étanche à l'eau. Ne pas le faire fonctionner s'il a été immergé ou saturé d'eau.
- L'appareil n'est pas étanche. Placez l'appareil à l'intérieur dans une zone dont la température ambiante est au minimum de 21°C (70°F).
- Ne pas nettoyer à la vapeur ni utiliser trop d'eau sur l'appareil.
- Cet appareil n'est pas étanche aux jets. Ne pas utiliser de jet sous pression pour nettoyer l'appareil.
- Utilisez uniquement des pièces de rechange d'origine Hatco lorsque l'entretien est nécessaire. Utilisez des pièces détachées Hatco authentiques sous peine d'annuler toutes les garanties et d'exposer l'utilisateur à des tensions électriques dangereuses pouvant entraîner une électrocution ou des brûlures. Les pièces de rechange authentiques Hatco sont spécifiées pour fonctionner en toute sécurité dans les environnements dans lesquels elles sont utilisées. Certaines pièces de rechange génériques ou d'après-vente n'ont pas les caractéristiques qui leur permettent d'opérer en toute sécurité dans les équipements Hatco.

DANGER D'INCENDIE :

- N'installez pas l'appareil au-dessus ou à proximité de surfaces combustibles. Une décoloration ou une combustion pourraient survenir. L'appareil doit uniquement être installé dans un environnement non-combustible.
- Ne conservez pas ou n'utilisez pas d'essence ou d'autres vapeurs ou liquides inflammables à proximité de cet appareil ou de tout autre appareil.

Cet appareil ne contient aucune pièce réparable par l'utilisateur. Si cet appareil doit être réparé, contacter un réparateur Hatco agréé ou le Service après-vente Hatco au 800-558-0607 ou 414-671-6350.

⚠ AVERTISSEMENT

S'assurer que le produit alimentaire a été chauffé à une température adaptée au maintien de sa salubrité avant de le mettre dans l'appareil sous peine de risques graves pour la santé. Cet appareil est destiné au maintien au chaud de produits alimentaires préchauffés uniquement.

N'utiliser que des ampoules électriques qui correspondent ou qui surpassent les standards de la Fondation Nationale des Affaires Sanitaires (NSF) et qui sont spécifiquement conçus pour les espaces de conservation des aliments. La casse d'ampoules électriques non enduites de manière spécifique pourrait entraîner des lésions corporelles et/ou une contamination des aliments.

Cet appareil ne doit pas être utilisé par des enfants ou des personnes avec des capacités physiques, sensorielles ou mentales diminuées. Assurez-vous que les enfants sont bien surveillés et tenez-les à l'écart de l'appareil.

Assurez-vous que tous les opérateurs ont été formés à l'utilisation sûre et correcte de l'appareil.

Pour l'installation avec des chaînes, assurez-vous que les chaînes sont suffisamment résistantes et qu'elles sont solidement fixées à la fois sur le réchauffeur de bande et sur l'espace de montage. Des chaînes mal installées peuvent entraîner le relâchement et la chute du réchauffeur. Ne rien placer sur des réchauffeurs installés avec des chaînes.

⚠ ATTENTION

DANGER DE BRÛLURE : Certaines surfaces extérieures de l'appareil deviennent chaudes. Toucher ces zones de l'appareil avec précaution.

Les graisses standards et approuvées utilisées lors de la fabrication peuvent provoquer des fumées au cours du démarrage initial pendant 30 minutes. Il s'agit d'un état temporaire. Utilisez l'appareil sans produit alimentaire jusqu'à ce que la fumée disparaisse.

Les rampes chauffantes équipées de lumières incandescentes qui nécessitent un disjoncteur de plus de 20 ampères pour l'élément chauffant doivent avoir un disjoncteur séparé pour les lumières incandescentes de 20 ampères ou moins.

Assurez-vous que le fonctionnement est sûr et adapté. Veuillez vous référer aux « Exigences minimales de dégagement » décrites dans la section INSTALLATION de ce manuel.

AVIS

Les dommages pouvant être causés au dessus de comptoir par l'équipement de Hatco ne sont pas couverts par la garantie de Hatco. Contactez le fabricant du comptoir pour les informations concernant l'application.

Pour éviter une défaillance prématurée des composants due à une chaleur excessive, les interrupteurs de commande à distance doivent être installés à l'extérieur de la zone de chaleur des rampes chauffantes.

AVIS

L'installation de deux appareils ou plus avec moins de 76 mm (3") entre les boîtiers peut entraîner une défaillance prématurée des composants. Le non-respect des distances appropriées peut entraîner un dommage thermique sur les composants électriques et n'est pas couvert par la garantie.

AVIS

Utilisez seulement des nettoyants non abrasifs et des chiffons doux. Les chiffons et nettoyant abrasifs pourraient érafler la finition de l'unité, entachant son apparence et la rendant susceptible à l'accumulation de saleté.

DESCRIPTION DU MODÈLE

Tous les Modèles

Les rampes chauffantes Infra-Black® Glo-Ray® sont idéales pour le réchauffage de la nourriture à distance proche des produits. La chaleur provenant d'un élément chauffant à gaine métallique logé à l'intérieur de l'émetteur Infra-Black est répartie équitablement sur l'ensemble de la surface de l'émetteur. L'émetteur offre une solide couverture thermique descendante sur les produits.

Les rampes chauffantes Infra-Black Glo-Ray sont construites avec des boîtiers en aluminium d'une longueur de 457 mm (18") à 1 829 mm (72").

Les modèles doubles permettent de monter côte-à-côte deux éléments chauffants pour une zone de maintien élargie. Les modèles doubles sont construits avec une entretoise standard de 76 mm (3") ou de 152 mm (6") entre les éléments chauffants (en option).

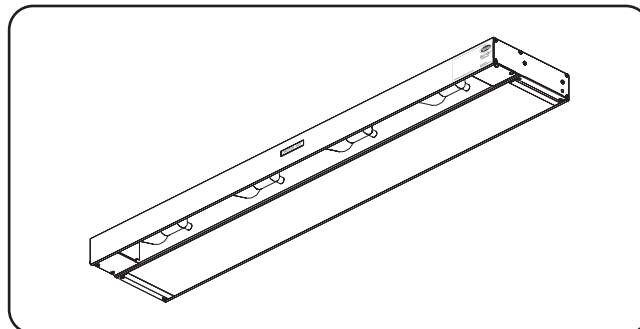
Les rampes chauffantes Infra-Black Glo-Ray disposent de plusieurs options de montage et d'emplacements d'interrupteurs. Un boîtier de contrôle thermostatique avec des témoins lumineux (TCBI) peut être monté sur l'appareil avec un contrôle thermostatique, un interrupteur à bascule de I/O (marche/arrêt), et un témoin lumineux. Un ou des boîtiers de contrôle à distance (RMBs) peuvent être configurés avec un nombre infini de contrôles, d'interrupteurs à bascule de I/O (marche/arrêt), et/ou de témoins lumineux. Les appareils sont disponibles en plusieurs couleurs de créateurs et finitions brillantes en options.

GRAIH-xx: Boîtier en aluminium, élément simple

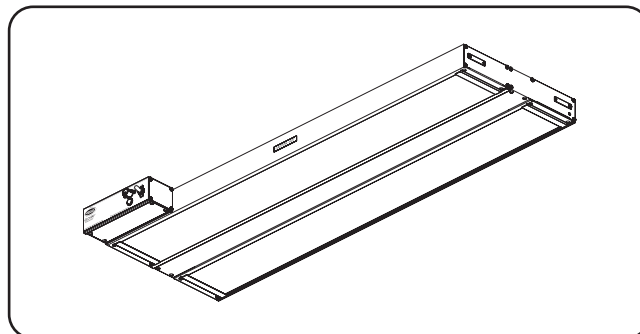
GRAIHL-xx: Boîtier en aluminium, lampes à incandescence, élément simple

GRAIH-xxD: Boîtier en aluminium, élément double

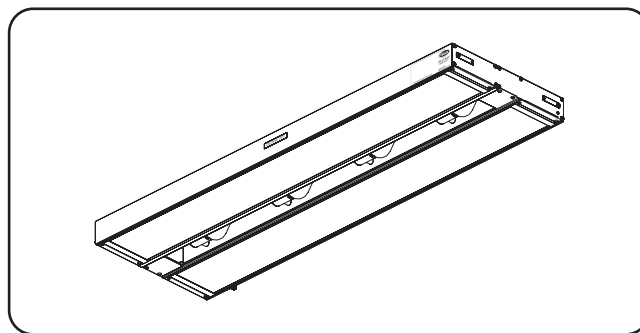
GRAIHL-xxD: Boîtier en aluminium, lampes à incandescence, élément double



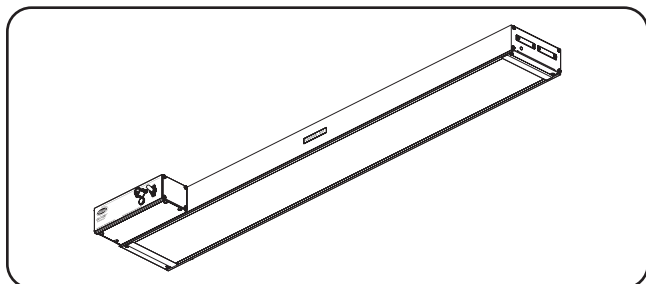
Modèle GRAIHL-xx



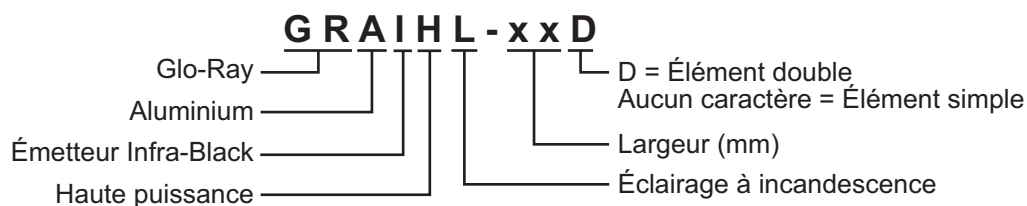
GRAIH-xxD Modèle avec TCBI



Modèle GRAIHL-xxD



GRAIH-xx Modèle avec TCBI



CARACTÉRISTIQUES TECHNIQUES

Tableau des valeurs nominales électriques — Modèles GRAIH-xx

Modèle	Tension	Intensité	Amps	Poids d'embarquement
GRAIH-18	120	350	2.9	3 kg (6 lbs.)
	208		1.7	
	240		1.5	
GRAIH-24	120	500	4.2	5 kg (11 lbs.)
	208		2.4	
	240		2.1	
GRAIH-30	120	660	5.5	6 kg (13 lbs.)
	208		3.2	
	240		2.8	
GRAIH-36	120	80	6.7	7 kg (15 lbs.)
	208		3.8	
	240		3.3	
GRAIH-42	120	950	7.9	8 kg (17 lbs.)
	208		4.6	
	240		4.0	
GRAIH-48	120	1100	9.2	10 kg (21 lbs.)
	208		5.3	
	240		4.6	
GRAIH-54	120	1250	10.4	11 kg (24 lbs.)
	208		6.0	
	240		5.2	
GRAIH-60	120	1400	11.7	12 kg (27 lbs.)
	208		6.7	
	240		5.8	
GRAIH-66	120 †	1560	13.0	14 kg (30 lbs.)
	208		7.5	
	240		6.5	
GRAIH-72	120 †	1725	14.4	15 kg (33 lbs.)
	208		8.3	
	240		7.2	

NOTA: Le poids de livraison n'inclut pas le boîtier de contrôle à distance. Ajoutez 1–3 kg (2-8 lb) au poids de livraison selon la taille du boîtier de contrôle à distance. † Contrôle infini non disponible.

Tableau des valeurs nominales électriques — Modèles GRAIHL-xx

Modèle	Tension	Intensité	Amps	Poids d'embarquement
GRAIHL-18	120	470	3.9	5 kg (12 lbs.)
	120/208		2.7	
	120/240		2.5	
GRAIHL-24	120	620	5.2	7 kg (15 lbs.)
	120/208		3.4	
	120/240		3.1	
GRAIHL-30	120	780	6.5	8 kg (17 lbs.)
	120/208		4.2	
	120/240		3.8	
GRAIHL-36	120	980	8.2	9 kg (20 lbs.)
	120/208		5.3	
	120/240		4.8	
GRAIHL-42	120	1130	9.4	10 kg (23 lbs.)
	120/208		6.1	
	120/240		5.5	
GRAIHL-48	120	1340	11.2	12 kg (26 lbs.)
	120/208		7.3	
	120/240		6.6	
GRAIHL-54	120	1490	12.4	13 kg (29 lbs.)
	120/208		8.0	
	120/240		7.2	
GRAIHL-60	120	1700	14.2	15 kg (33 lbs.)
	120/208		9.2	
	120/240		8.3	
GRAIHL-66	120 †	1860	15.5	15 kg (34 lbs.)
	120/208		10.0	
	120/240		9.0	
GRAIHL-72	120 *	2085	17.4	16 kg (36 lbs.)
	120/208		11.3	
	120/240		10.2	

† Contrôle infini non disponible.

* Disponible uniquement avec les options de boîtiers de contrôle à distance.

NOTA: Les modèles GRAIHL-xx ayant plusieurs tensions indiquées, comme 120/208 ou 120/240, ont plusieurs circuits internes. Par exemple, un modèle 120/208 volts utilise 120 volts pour le circuit d'éclairage et 208 volts pour le(s) circuit(s) de chauffage. Consultez le schéma électrique fourni avec l'appareil pour des informations plus spécifiques.

NOTA: Le poids de livraison n'inclut pas le boîtier de contrôle à distance. Ajoutez 1–3 kg (2-8 lb) au poids de livraison selon la taille du boîtier de contrôle à distance.



Les rampes chauffantes équipées de lumières incandescentes qui nécessitent un disjoncteur de plus de 20 ampères pour l'élément chauffant doivent avoir un disjoncteur séparé pour les lumières incandescentes de 20 ampères ou moins.

Tableau des valeurs nominales électriques — Modèles GRAIH-xxD

Modèle	Tension	Intensité	Amps	Poids d'embarquement
GRAIH-18D	120	700	5.8	6 kg (13 lbs.)
	208		3.4	
	240		2.9	
GRAIH-24D	120	1000	8.3	9 kg (19 lbs.)
	208		4.8	
	240		4.2	
GRAIH-30D	120	1320	11.0	10 kg (21 lbs.)
	208		6.3	
	240		5.5	
GRAIH-36D	120	1600	13.3	11 kg (24 lbs.)
	208		7.7	
	240		6.7	
GRAIH-42D	120	1900	15.8	12 kg (27 lbs.)
	208		9.1	
	240		7.9	
GRAIH-48D	120 *	2200	18.3	15 kg (32 lbs.)
	208		10.6	
	240		9.2	
GRAIH-54D	120 *	2500	20.8	16 kg (35 lbs.)
	208		12.0	
	240		10.4	
GRAIH-60D	120 *	2800	23.3	18 kg (39 lbs.)
	208		13.5	
	240		11.7	
GRAIH-66D	120 *	3120	26.0	19 kg (42 lbs.)
	208		15.0	
	240		13.0	
GRAIH-72D	120 *	3450	28.8	21 kg (46 lbs.)
	240		14.4	

* Disponible uniquement avec les options de boîtiers de contrôle à distance.

NOTA: Le poids de livraison n'inclut pas le boîtier de contrôle à distance. Ajoutez 1–3 kg (2-8 lb) au poids de livraison selon la taille du boîtier de contrôle à distance.

Tableau des valeurs nominales électriques — Modèles GRAIHL-xxD

Modèle	Tension	Intensité	Amps	Poids d'embarquement
GRAIHL-18D	120	820	6.8	8 kg (18 lbs.)
	120/208		4.4	
	120/240		3.9	
GRAIHL-24D	120	1120	9.3	10 kg (21 lbs.)
	120/208		5.8	
	120/240		5.2	
GRAIHL-30D	120	1440	12.0	10 kg (23 lbs.)
	120/208		7.3	
	120/240		6.5	
GRAIHL-36D	120	1780	14.8	12 kg (27 lbs.)
	120/208		9.2	
	120/240		8.2	
GRAIHL-42D	120	2080	17.3	14 kg (30 lbs.)
	120/208		10.6	
	120/240		9.4	
GRAIHL-48D	120 *	2440	20.3	16 kg (35 lbs.)
	120/208		12.6	
	120/240		11.2	
GRAIHL-54D	120 *	2740	22.8	17 kg (38 lbs.)
	120/208		14.0	
	120/240		12.2	
GRAIHL-60D	120 *	3100	25.8	19 kg (42 lbs.)
	120/208		16.0	
	120/240		14.2	
GRAIHL-66D	120 *	3420	28.5	20 kg (44 lbs.)
	120/240		15.5	

* Disponible uniquement avec les options de boîtiers de contrôle à distance.



NOTA: Les modèles GRAIHL-xxD ayant plusieurs tensions indiquées, comme 120/208 ou 120/240, ont plusieurs circuits internes. Par exemple, un modèle 120/208 volts utilise 120 volts pour le circuit d'éclairage et 208 volts pour le(s) circuit(s) de chauffage. Consultez le schéma électrique fourni avec l'appareil pour des informations plus spécifiques.

Les rampes chauffantes équipées de lumières incandescentes qui nécessitent un disjoncteur de plus de 20 ampères pour l'élément chauffant doivent avoir un disjoncteur séparé pour les lumières incandescentes de 20 ampères ou moins.

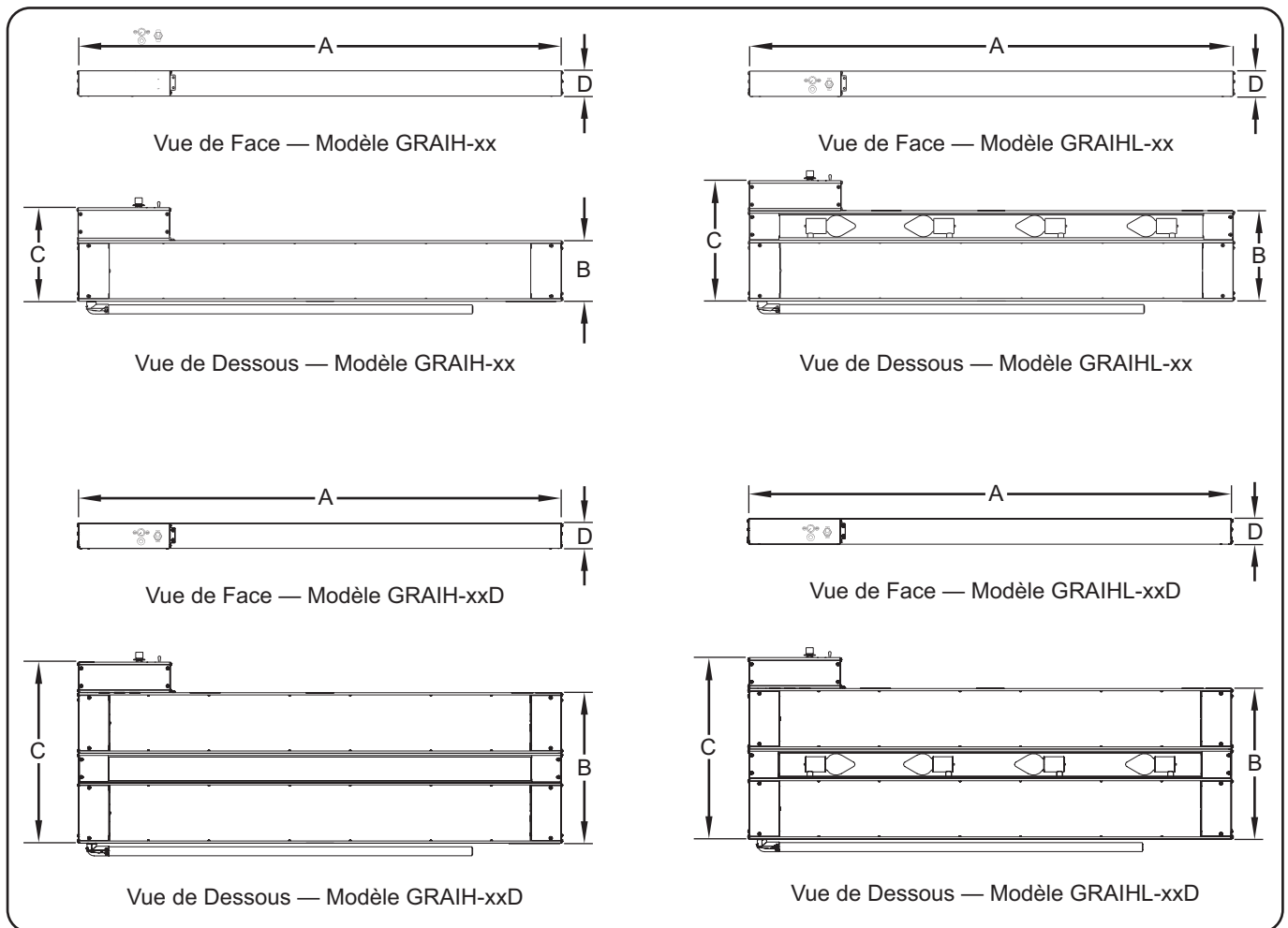
NOTA: Le poids de livraison n'inclut pas le boîtier de contrôle à distance. Ajoutez 1–3 kg (2-8 lb) au poids de livraison selon la taille du boîtier de contrôle à distance.

Dimensions

Modèle	Largeur (A)	Profondeur (B)	Profondeur (C)	Hauteur (D)	Largeur (E)
GRAIH-xx	457–1829 mm (18"–72")	152 mm (6")	229 mm (9")	66 mm (2-5/8")	203 mm (8")
GRAIHL-xx	457–1829 mm (18"–72")	229 mm (9")	305 mm (12")	66 mm (2-5/8")	203 mm (8")
GRAIH-xxD ‡	457–1829 mm (18"–72")	381 mm (15")	457 mm (18")	66 mm (2-5/8")	203 mm (8")
GRAIHL-xxD ‡	457–1829 mm (18"–72")	381 mm (15")	457 mm (18")	66 mm (2-5/8")	203 mm (8")

‡ Ajoutez 76 mm (3") à la profondeur (B) et à la profondeur (C) si l'appareil est configuré avec une entretoise de 152 mm (6") en option.

NOTA: La profondeur (C) inclut le boîtier TCBI.



Généralités

Utilisez les informations contenues dans cette section pour préparer et installer la rampe chauffante Infra-Black®. Veillez à appliquer les informations spécifiques au type d'installation. Les rampes chauffantes Infra-Black sont expédiées avec la majorité des composants déjà montés. Les appareils doubles sont fournis avec une entretoise requise de 76 mm (3") ou de 152 mm (6") déjà montée en usine.

⚠ AVERTISSEMENT

DANGER DE DÉCHARGE ÉLECTRIQUE: L'appareil n'est pas étanche. Placez l'appareil à l'intérieur dans une zone dont la température ambiante est au minimum de 21°C (70°F).

DANGER D'INCENDIE: N'installez pas l'appareil au-dessus ou à proximité de surfaces combustibles. Une décoloration ou une combustion pourraient survenir. L'appareil doit uniquement être installé dans un environnement non-combustible.

⚠ ATTENTION

Assurez-vous que le fonctionnement est sûr et adapté. Veuillez vous référer aux « Exigences minimales de dégagement » décrites dans la section INSTALLATION de ce manuel.

AVIS

Les dommages pouvant être causés au dessus de comptoir par l'équipement de Hatco ne sont pas couverts par la garantie de Hatco. Contactez le fabricant du comptoir pour les informations concernant l'application.

NOTA: Contactez le fabricant du matériel de base du comptoir pour des informations concernant l'application et les limites de température à la surface avant d'installer l'appareil.

1. Retirez l'appareil du carton de livraison et retirez tous les éléments d'emballage.

NOTA: Pour éviter des retards dans l'obtention de la couverture de la garantie, complétez l'enregistrement en ligne de votre garantie. Lisez la section INFORMATIONS IMPORTANTES POUR LE PROPRIÉTAIRE pour plus de détails.

2. Retirez le ruban et l'emballage de protection de toutes les surfaces de l'appareil.

NOTA: Si l'appareil dispose d'un équipement optionnel, lisez la section OPTIONS ET ACCESSOIRES de ce manuel.

3. Consultez la procédure de montage appropriée dans cette section pour le style de montage souhaité.

Montage Double

Lorsque vous montez des appareils côte à côte, un espace de plus de 76 mm (3") doit être maintenu entre les appareils. Les unités doubles commandés à l'usine sont expédiées avec un espaceur pré-assemblé de 76 mm (3") ou de 152 mm (6").

AVIS

L'installation de deux appareils ou plus avec moins de 76 mm (3") entre les boîtiers peut entraîner une défaillance prématurée des composants. Le non-respect des distances appropriées peut entraîner un dommage thermique sur les composants électriques et n'est pas couvert par la garantie.

Montage sous une étagère

Lorsque vous montez une unité sous une étagère, utilisez des cornières pour assurer un espacement approprié. Les compartiments de contrôle à distance sont recommandés pour maintenir les interrupteurs en dehors de la zone de chaleur et pour éviter toute défaillance prématurée.

Passage des Plats

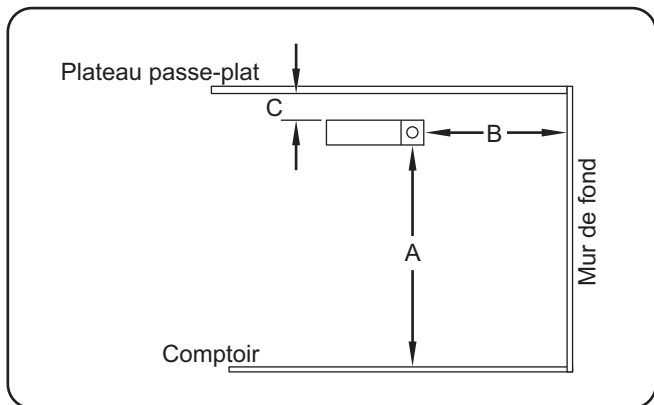
Si la zone de passe-plat fait moins de 241 mm (9 1/2") de profondeur, vous pouvez utiliser un appareil simple. Pour une zone de passe-plat de 254 à 483 mm (10" à 19") de profondeur, nous vous recommandons un appareil double. Pour l'installation de plusieurs appareils, un espacement de 76 mm (3") est nécessaire entre les rampes chauffantes.

Au-dessus d'un Tableau de Vapeur

Lors du montage au-dessus d'un tableau de vapeur, un compartiment de contrôle à distance doit être installé.

Exigences minimales de dégagement

Modèles	A	B	C
GRAIH et GRAIHL avec TCBI	102 mm (4")	■	25 mm (1")
GRAIH et GRAIHL avec RMB	102 mm (4")	76 mm (3")	0 mm (0")
GRAIH-xxD et GRAIHL-xxD avec TCBI	203 mm (8")	■	25 mm (1")
GRAIH-xxD et GRAIHL-xxD avec RMB	203 mm (8")	76 mm (3")	0 mm (0")

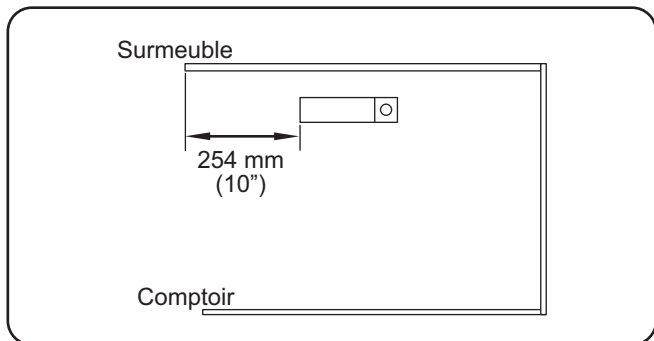


Exigences minimales de dégagement

- Pour une utilisation avec passe-plat, l'installation avec mur de fond n'est pas autorisée.

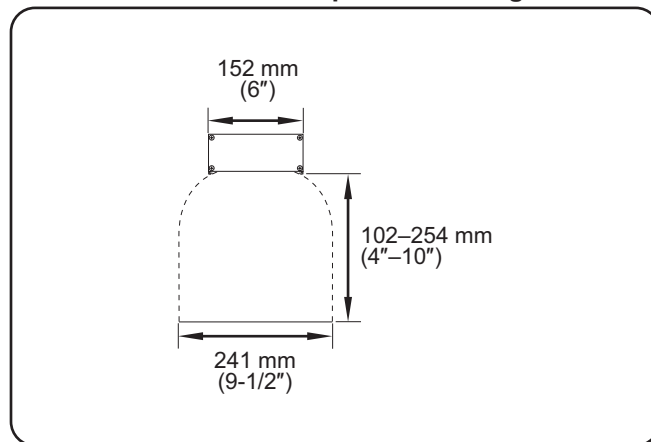
Exigences de dégagement maximal du surmeuble

Les appareils doivent être montés à une distance maximale de 254 mm (10") de l'avant d'un surmeuble.

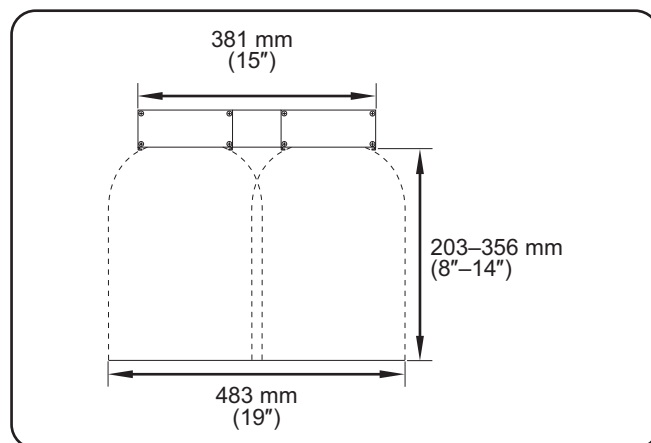


Exigences de dégagement maximal du surmeuble

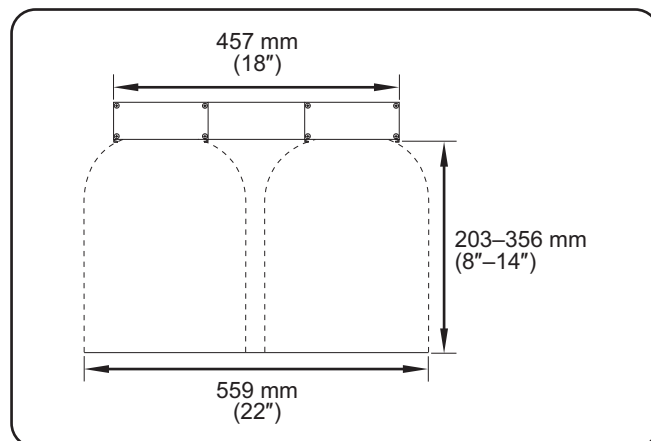
Hauteurs recommandées pour le montage



Hauteur d'élément recommandée pour les modèles GRAIH-xx et GRAIHL-xx



Hauteur d'élément recommandée pour les modèles GRAIH-xxD et GRAIHL-xxD avec une entretoise de 76 mm (3")



Hauteur d'élément recommandée pour les modèles GRAIH-xxD et GRAIHL-xxD avec une entretoise de 152 mm (6")

Montage du support tubulaire

Monter un appareil avec des supports tubulaires non réglables fixe de manière permanente l'appareil à un comptoir ou à une table de service.



Assurer un fonctionnement sûr et adapté. Référez-vous aux "Exigences d'approbation minimum" indiquées dans la section INSTALLATION de ce manuel.

Les supports tubulaires sont disponibles en aluminium, en couleurs de créateurs, ou en finitions brillantes dans des hauteurs de 102 à 356 mm (4" à 14") par incréments de 51 mm (2").

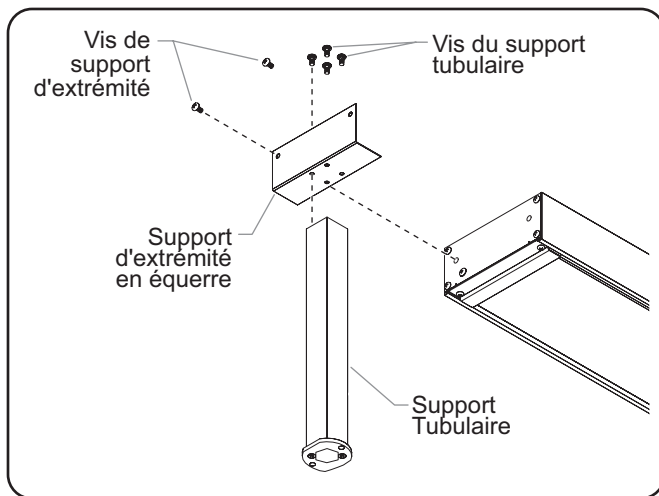
NOTA: Les supports tubulaires ne peuvent pas être mis à niveau dans la zone.

1. Positionnez l'appareil à l'envers sur une surface plate.

NOTA: Les unités pour cette application sont fournis avec la conduite attachée à un des côtés de l'appareil. La conduite ne doit pas être retirée.

2. Fixez le dessus du support tubulaire au bas du support d'extrémité en équerre à l'aide des vis fournies.
3. Fixez le support d'extrémité en équerre à la plaque d'extrémité de l'appareil avec les vis des languettes de fixation précédemment retirées.
4. Répétez les étapes 2 et 3 de l'autre côté de l'appareil.
5. Fixez les pieds sur la surface de montage à l'aide des fixations appropriées.

NOTA: Deux paires de supports tubulaires seront nécessaires pour monter les unités doubles.



Montage du support tubulaire

Montage avec des équerres de fixation

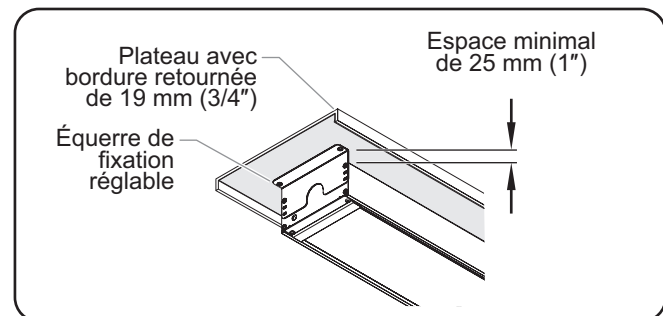
Le montage d'un appareil avec une équerre de fixation fixe de manière permanente l'appareil sur le côté inférieur d'un plateau. Il peut être monté sous un plateau plat ou un plateau avec des bordures enroulées ou retournées. Les cornières réglables fournissent l'espace nécessaire entre l'appareil et un plateau combustible.

Si le plateau a une bordure enroulée ou retournée, utilisez les équerres de fixation réglables en option pour monter l'appareil sous la partie la plus basse de la bordure enroulée ou retournée du plateau (un espace minimal de 25 mm [1"] est requis entre l'appareil et le dessous d'une bordure de plateau enroulée ou retournée pour empêcher tout dommage thermique au réseau électrique de l'appareil).



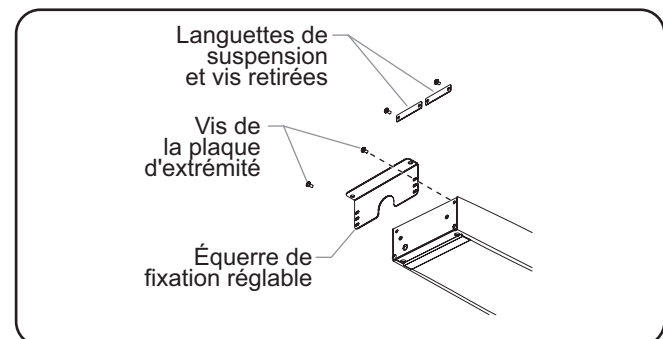
Assurer un fonctionnement sûr et adapté. Référez-vous aux "Exigences d'approbation minimum" indiquées dans la section INSTALLATION de ce manuel.

NOTA: Si vous montez l'appareil sous un plateau, nous vous recommandons d'utiliser un boîtier de contrôle à distance.



Installation d'un plateau à bordure retournée

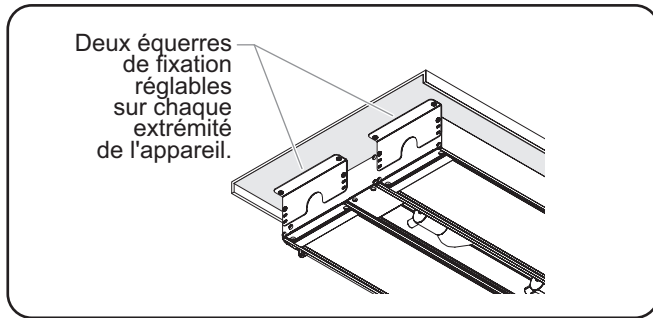
1. Positionnez l'unité sur une surface plate, les éléments chauffants face au sol.
2. Retirez les deux vis des languettes de suspension et les languettes de suspension. Ces éléments ne seront pas nécessaires.
3. Retirez les deux vis de la plaque de l'extrémité supérieure.
4. Alignez les cornières ajustables aux trous de montage de la plaque de l'extrémité de l'appareil. Sécurisez la cornière avec les vis retirées précédemment de la plaque de l'extrémité.



Installation de l'équerre de fixation réglable

5. Fixez la cornière sous l'étagère en utilisant les fixations adaptées (non fournies par Hatco).

NOTA: Deux paires de supports seront nécessaires pour les unités doubles.



Montage des unités doubles

Montage en suspension sur chaînes

Monter un appareil avec une suspension sur chaînes fixe l'appareil à une surface aérienne à l'aide de crochets en "S".

NOTA: Les appareils commandés avec l'option crochet en "S" sont livrés avec deux crochets en "S" et deux chaînes de 152 mm (6") de longueur. Une chaîne supplémentaire (P/N 05.03.020.00) peut être commandée auprès d'Hatco pour le système de montage du dessus, ou une autre option peut être déterminée par un installateur qualifié.

⚠ AVERTISSEMENT

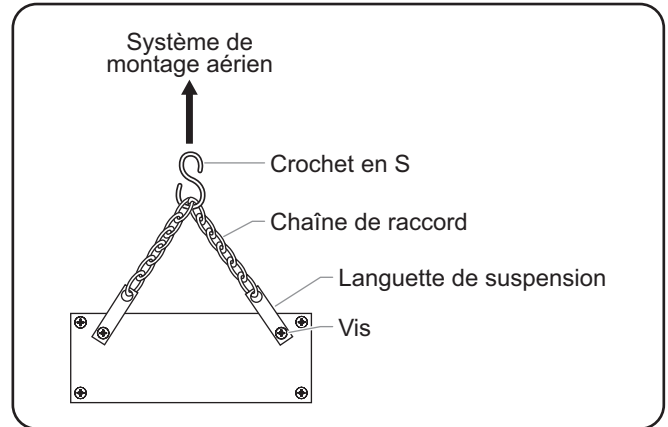
Pour l'installation avec des chaînes, assurez-vous que les chaînes sont suffisamment résistantes et qu'elles sont solidement fixées à la fois sur l'appareil et sur le support de montage. Des chaînes mal installées peuvent entraîner le relâchement et la chute du réchauffeur. Ne rien placer sur le dessus des réchauffeurs installés avec des chaînes.

Assurer un fonctionnement sûr et adapté. Référez-vous aux "Exigences d'approbation minimum" indiquées dans la section INSTALLATION de ce manuel.

NOTA: La résistance de la chaîne fournie par Hatco est suffisante pour retenir le poids de l'unité de manière sûre, uniquement pour un montage adapté.

1. Préparez le système de montage supérieur pour les crochets en "S". Assurez-vous que le système est sécurisé et est installé de manière à ce que l'appareil soit suspendu à un niveau et à une distance sécurisée et adaptée des murs, du comptoir et des aliments.
2. Desserrez, mais ne retirez pas les vis sécurisant les languettes de support à chaque extrémité de l'appareil. Faites pivoter les languettes vers le haut, puis resserrez solidement les vis.
3. Attachez solidement une des chaînes de connexion de 6" (152 mm) entre chaque paire de languettes de support.
4. Attachez un crochet en "S" au centre de chaque chaîne de connexion.

5. Levez l'appareil avec précaution et attachez les crochets en "S" à chaque extrémité de l'appareil au système de montage supérieur. Assurez-vous que l'appareil est à niveau.



Montage du crochet en "S"

Informations sur le câblage électrique

Veillez vous référer au "Tableau des valeurs nominales électriques" pour obtenir des informations spécifiques à l'appareil.

AVERTISSEMENT

DANGER DE DÉCHARGE ÉLECTRIQUE: Pour les appareils câblés, toutes les connexions électriques doivent être conformes aux codes électriques locaux et à tous les autres codes applicables. Les connexions doivent être effectuées par un électricien qualifié et agréé.

ATTENTION

Les rampes chauffantes équipées de lumières incandescentes qui nécessitent un disjoncteur de plus de 20 ampères pour l'élément chauffant doivent avoir un disjoncteur séparé pour les lumières incandescentes de 20 ampères ou moins.

NOTA: Si l'appareil à installer n'apparaît pas dans ce manuel, référez-vous au diagramme de câblage fourni avec l'appareil et les informations d'installation de l'appareil pour plus d'instructions.

Alimentation électrique

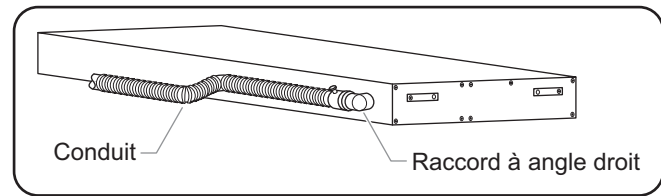
Installez un câble d'alimentation et des connecteurs adaptés pour une température d'au moins 194°F (90°C).

- Utilisez au minimum un câble en cuivre n°14 AWG pour les circuits individuels allant jusqu'à 15 ampères.
- Utilisez au minimum un câble en cuivre n°12 AWG pour les circuits individuels allant de 15 à 20 ampères.
- Utilisez au minimum un câble en cuivre n°10 AWG pour les circuits individuels allant de 20 à 25 ampères.
- Utilisez au minimum un câble en cuivre n°8 AWG pour les circuits individuels allant de 25 à 30 ampères.

Connexion de la conduite

Les connexions des appareils fournis avec une conduite correspondant au bon angle et flexible ont toutes été réalisées à l'usine. Raccorder à la bonne alimentation électrique mène à de hautes températures dans les câbles électriques dans la conduite.

NOTA: Référez-vous au diagramme de câblage fourni avec l'appareil et à l'étiquette de spécification attachée à l'appareil pour obtenir des informations spécifiques concernant l'électricité.



Connexion de la conduite

Boîtiers de commande à distance

Les boîtiers de commande à distance de Hatco comportent des interrupteurs, des câbles électriques et/ou des indicateurs lumineux et sont expédiés prêts pour l'installation.

La série RMB nécessite un boîtier de commande à distance par réchauffeur de bande. La série RMB2 permet à plusieurs réchauffeurs de bande d'être connectés à un boîtier de commande à distance.

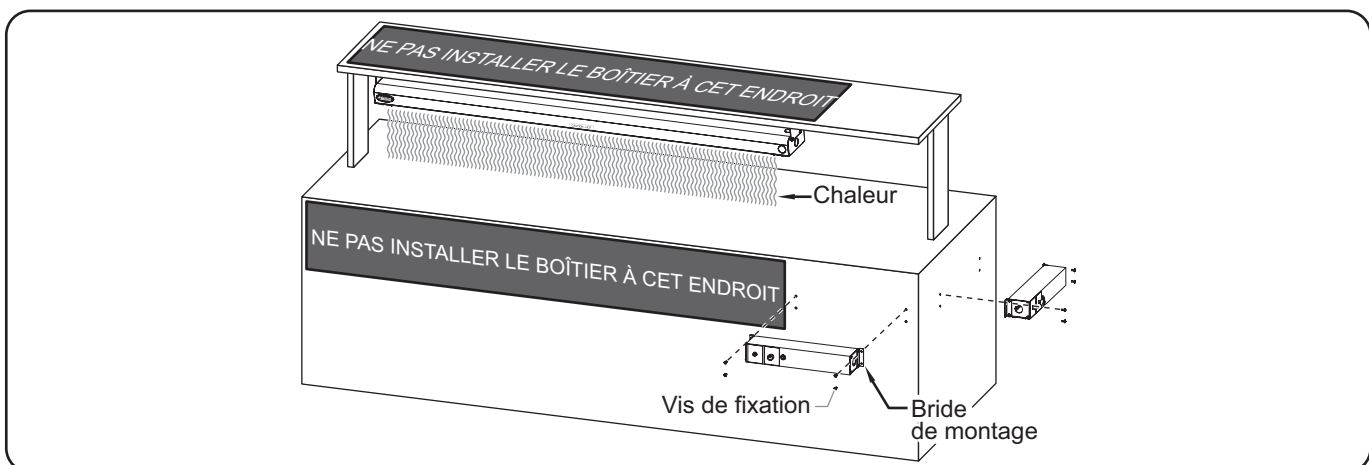
NOTA: Des boîtiers de commande à distance sont disponibles en plusieurs configurations selon le modèle. Tous les boîtiers sont construits conformément aux normes UL pour accueillir les interrupteurs, les voyants et le câblage. Pour plus de détails, consultez la section OPTIONS ET ACCESSOIRES.

REMARQUE IMPORTANTE : Les interrupteurs et les boîtiers de commande montés à distance doivent être installés dans un endroit frais et sec aussi loin que possible de toute zone de chaleur. Ne montez pas les interrupteurs ou les boîtiers de commande directement sur, en dessous ou au-dessus de l'appareil. Ne montez pas les interrupteurs ou les boîtiers de commande directement en contact avec une surface chauffée ou près d'un équipement générant de la vapeur.

NOTA: Lorsque deux appareils ou plus sont montés là où la chaleur d'un boîtier tend à augmenter la température d'un autre, les interrupteurs de contrôle doivent être installés dans un compartiment de contrôle à distance. Les appareils dans une installation multiple doivent utiliser des compartiments de contrôle à distance.

AVIS

Pour éviter une défaillance prématurée des composants due à une chaleur excessive, les interrupteurs de commande à distance doivent être installés à l'extérieur de la zone de chaleur des rampes chauffantes.



Emplacements pour l'installation du boîtier de contrôle à distance

Généralités

Les rampes chauffantes Infra-Black® Glo-Ray® sont conçues pour être faciles d'utilisation. Utilisez les informations et les procédures suivantes pour faire fonctionner l'appareil.

⚠ AVERTISSEMENT

Lire tous les messages de sécurité de la section CONSIGNES DE SÉCURITÉ IMPORTANTES avant d'utiliser ce matériel.

⚠ ATTENTION

DANGER DE BRÛLURE : Certaines surfaces extérieures de l'appareil deviennent chaudes. Toucher ces zones de l'appareil avec précaution.

Contrôles

Les rampes chauffantes Infra-Black sont équipées soit d'un boîtier de contrôle thermostatique avec des témoins lumineux (TCBI) monté sur l'appareil ou d'un boîtier de contrôle à distance en option (RMB) monté à distance. Vous trouverez ci-dessous la liste des commandes disponibles pour les rampes chauffantes.

Interrupteur à bascule I/O (marche/arrêt)—Allume ou éteint l'alimentation vers les éléments chauffants et/ou les lampes.

Contrôle thermostatique—Contrôle la température du ou des éléments chauffants. Le contrôle thermostatique n'est disponible que sur un appareil équipé d'un TCBI.

Contrôle infini—Allume l'alimentation et commande la production des éléments chauffants. Le contrôle infini est uniquement disponible sur un boîtier de contrôle à distance.

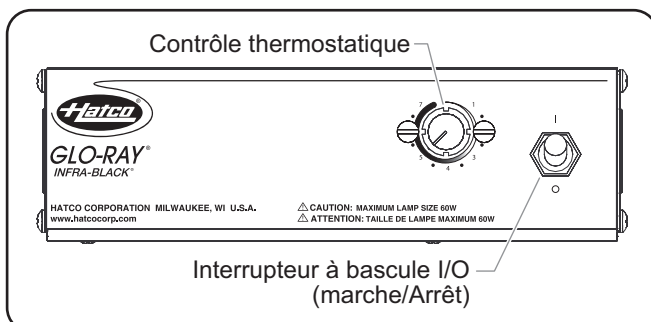
Indicateur lumineux—Éclaire lorsque le courant est allumé, éteint lorsque le courant est éteint.

Démarrage

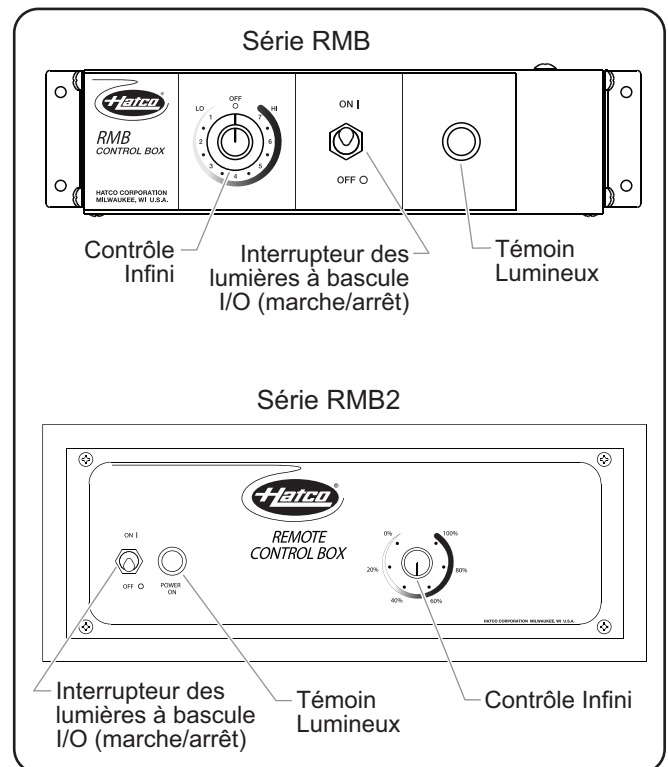
- Placez l'interrupteur à bascule de I/O (marche/arrêt) en position **I** (marche) et/ou tournez le(s) contrôle(s) infini(s) jusqu'au réglage souhaité.
 - Le témoin lumineux (si équipé) s'illumine et les éléments chauffants sont mis sous tension.
- Pour les appareils avec contrôle thermostatique, tournez le contrôle jusqu'au réglage souhaité.

NOTA: Atteindre la température de fonctionnement demande 15-20 minutes.

- Pour les appareils avec lampes d'affichage, mettez l'interrupteur I/O (marche/arrêt) des lumières sur la position **I** (marche) pour allumer les lampes.



Boîtier de contrôle thermostatique avec témoins lumineux (TCBI)



Compartiments de contrôle à distance

NOTA: Référez-vous à la section OPTIONS ET ACCESSOIRES pour des informations sur les compartiments de contrôle à distance.

Arrêt

- Placez l'interrupteur à bascule de I/O (marche/arrêt) sur la position **O** (arrêt) et/ou placez le(s) contrôle(s) infini(s) sur la position **O** (arrêt).
 - L'indicateur lumineux (s'il est équipé) s'éteindra, et les éléments chauffants s'éteindront.
- Pour des appareils avec des lumières d'affichage, placez l'Interrupteur des lumières bascule I/O (marche/arrêt) sur la position **O** (arrêt).

Généralités

Les rampes chauffantes Infra-Black® Glo-Ray® sont conçues pour une durabilité et des performances maximum, avec un entretien minimum.

AVERTISSEMENT

DANGER DE DÉCHARGE ÉLECTRIQUE :

- Mettez hors tension au niveau de l'interrupteur à fusible/disjoncteur et laissez l'appareil refroidir avant d'effectuer toute opération de maintenance, tout réglage ou tout nettoyage.
- **NE PAS immerger l'appareil ni le saturer d'eau.** L'appareil n'est pas étanche à l'eau. Ne pas le faire fonctionner s'il a été immergé ou saturé d'eau.
- Ne pas nettoyer à la vapeur ni utiliser trop d'eau sur l'appareil.
- Cet appareil n'est pas étanche aux jets. Ne pas utiliser de jet sous pression pour nettoyer l'appareil.
- Utilisez uniquement des pièces de rechange d'origine Hatco lorsque l'entretien est nécessaire. Utilisez des pièces détachées Hatco authentiques sous peine d'annuler toutes les garanties et d'exposer l'utilisateur à des tensions électriques dangereuses pouvant entraîner une électrocution ou des brûlures. Les pièces de rechange authentiques Hatco sont spécifiées pour fonctionner en toute sécurité dans les environnements dans lesquels elles sont utilisées. Certaines pièces de rechange génériques ou d'après-vente n'ont pas les caractéristiques qui leur permettent d'opérer en toute sécurité dans les équipements Hatco.

Cet appareil ne contient aucune pièce réparable par l'utilisateur. Si cet appareil doit être réparé, contacter un réparateur Hatco agréé ou le Service après-vente Hatco au 800-558-0607 ou 414-671-6350.

Nettoyage quotidien

Pour préserver la finition de la rampe chauffante à infrarouge Glo-Ray, effectuez la procédure de nettoyage suivante quotidiennement.

AVIS

Utilisez seulement des nettoyeurs non abrasifs et des chiffons doux. Les chiffons et nettoyeur abrasifs pourraient érafler la finition de l'unité, entachant son apparence et la rendant susceptible à l'accumulation de saleté.

1. Éteindre l'appareil et laisser refroidir l'appareil.
2. Essuyez toutes les surfaces métalliques avec un tissu doux humide. Les taches tenaces s'enlèvent avec un bon nettoyeur non abrasif. Nettoyer les zones difficiles d'accès avec une petite brosse et du savon doux.

Remplacement du tube d'éclairage

AVERTISSEMENT

N'utiliser que des ampoules électriques qui correspondent ou qui surpassent les standards de la Fondation Nationale des Affaires Sanitaires (NSF) et qui sont spécifiquement conçues pour les espaces de conservation des aliments. La casse d'ampoules électriques non enduites de manière spécifique pourrait entraîner des lésions corporelles et/ou une contamination des aliments.

La lumière de la vitrine est assurée par une ampoule à incandescence, en option, qui éclaire l'espace de chauffage. Cette ampoule a un enduit spécial pour éviter toute blessure et toute contamination des éléments en cas de casse.

Pour remplacer une ampoule lumineuse :

1. Déconnectez l'alimentation électrique et attendez que l'appareil soit refroidi.
2. Dévissez l'ampoule d'éclairage de l'appareil et remplacez-la par une nouvelle ampoule à incandescence ou à halogène, en option, spécialement enduite.

NOTA: Les ampoules lumineuses résistantes aux chocs d'Hatco répondent aux standards de la NSF pour la conservation de la nourriture et des zones d'étalage. Pour les applications 120, 120/208, et 120/240 volts, utilisez P/N 02.30.265.00 d'Hatco.

NOTA: Les ampoules halogènes sont disponibles en option. Pour les applications 120, 120/208, et 120/240 volts, utilisez les pièces numéro 02.30.081.00 d'Hatco.

⚠ AVERTISSEMENT

La réparation de cet appareil doit être confiée exclusivement à du personnel qualifié. Les réparations par des personnes non qualifiées peuvent provoquer des décharges électriques et des brûlures.

⚠ AVERTISSEMENT

Mettez hors tension au niveau de l'interrupteur à fusible/disjoncteur et laissez l'appareil refroidir avant d'effectuer toute opération de maintenance, tout réglage ou tout nettoyage.

Symptômes	Causes Probables	Action Correctrice
L'appareil est sur ON, mais il n'y a pas de chaleur.	Pas d'alimentation au niveau de l'appareil.	Vérifiez le disjoncteur et redémarrez si nécessaire.
	L'interrupteur est défectueux.	Contactez votre agent de maintenance agréé ou Hatco.
	Le câblage est ouvert.	
	Élément chauffant défectueux.	
La chaleur est inadaptée.	L'appareil est monté trop haut par rapport à la zone cible.	Baissez l'appareil, permettant de cibler plus efficacement la chaleur.
	Mouvement d'air excessif autour de la zone cible du réchauffeur de bande.	Restreignez ou redirigez le mouvement de l'air (conduit d'air conditionné ou ventilateur) à distance de l'appareil.
	Alimentation électrique incorrecte (basse).	Vérifiez l'alimentation électrique de l'appareil, assurez-vous qu'il corresponde aux valeurs sur l'appareil. Si l'alimentation électrique est incorrecte, changez pour correspondre aux valeurs sur l'appareil.
	La commande de la température est réglée à un niveau trop faible.	Réglez la commande de température à une température plus élevée.
La chaleur est excessive.	L'appareil est monté trop près de la zone cible.	Vérifiez pour vérifier que l'installation est conforme aux spécifications pour le type/modèle Augmentez la hauteur du montage s'il est trop proche.
	La tension est trop élevée.	Vérifiez l'alimentation électrique de l'appareil, assurez-vous qu'il corresponde aux valeurs sur l'appareil. Si l'alimentation électrique est incorrecte, changez pour correspondre aux valeurs.
	La commande de la température est réglée à un niveau trop élevé.	Réglez la commande de température à une température plus basse.
Les interrupteurs de commande ont grillé.	Le boîtier de commande à distance est installé trop près de la zone de chauffe.	Vérifiez l'emplacement des interrupteurs selon les instructions de Hatco contenues dans ce manuel. Déplacez les interrupteurs vers une zone plus froide si l'installation est incorrecte.
	Les interrupteurs utilisés ne sont pas fournis par Hatco.	Les pièces authentiques Hatco sont conçues pour fonctionner de manière sûre et adaptée dans l'environnement dans lequel elles sont utilisées. Contactez un agent agréé ou Hatco pour remplacer des interrupteurs par des pièces de remplacement authentiques Hatco.

Vous avez des questions en ce qui concerne les pannes?

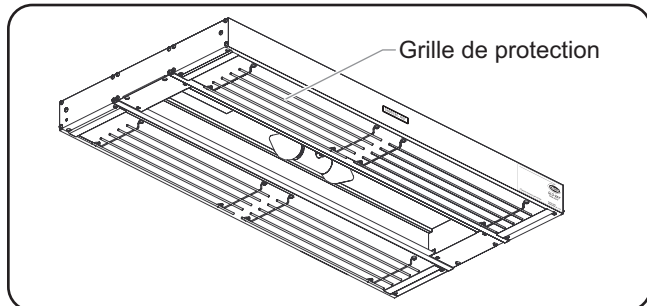
Si le problème persiste, veuillez contacter l'agence d'entretien agréée Hatco la plus proche ou Hatco pour obtenir une assistance. Pour trouver l'agence d'entretien la plus proche, rendez-vous sur le site Internet de Hatco (www.hatcocorp.com) et sélectionnez le menu déroulant *Support (Assistance)*, puis cliquez sur « Find A Service Agent » (trouver un agent d'entretien); ou contactez l'équipe d'entretien et de pièces détachées de Hatco :

Numéro de téléphone: 800-558-0607 or 414-671-6350

Courriel: support@hatcocorp.com

Grille de protection des éléments

Des grilles de protection des éléments sont disponibles en option et peuvent être installés en usine. Les grilles de protection des éléments permettent de protéger l'utilisateur de tout contact accidentel avec la surface chauffante GRAIH-xxD et GRAIHL-xxD nécessitent deux jeux de grilles de protection.



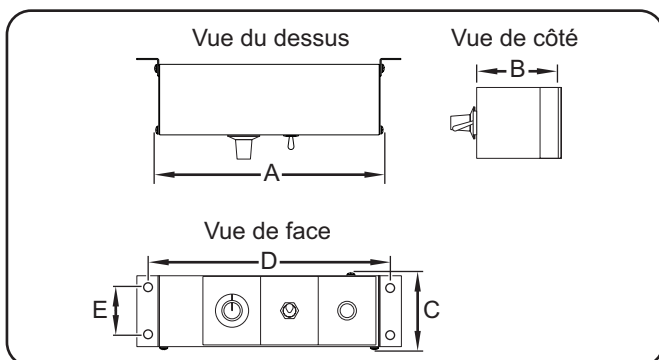
GRAIHL-xxD avec grilles de protection des éléments

Compartiment de contrôle à distance—RMB

Les compartiments de contrôle à distance de la série RMB sont disponibles dans des tailles et des configurations différentes pour une utilisation avec des réchauffeurs de bande. Les compartiments de contrôle à distance déplacent les contrôles à distance de la chaleur constante de l'appareil, augmentant la longévité des contrôles. Tous les modèles sont construits conformément aux standards UL avec des interrupteurs, des indicateurs lumineux et des câblages. Consultez l'usine pour connaître le type et l'emplacement des contrôles de la série RMB pour le compartiment.

NOTA: Les compartiments de contrôle à distance de la série RMB nécessitent un compartiment de contrôle à distance par réchauffeur de bande.

Modèle	Largueur (A)	Profondeur (B)	Hauteur (C)	Largueur de la vis (D)	Hauteur de la vis (E)
RMB-3 Série	150 mm (5-15/16")	76 mm (3")	67 mm (2-5/8")	161 mm (6-5/16")	41 mm (1-5/8")
RMB-7 Série	239 mm (9-3/8")	76 mm (3")	67 mm (2-5/8")	249 mm (9-13/16")	41 mm (1-5/8")
RMB-14 Série	366 mm (14-3/8")	76 mm (3")	67 mm (2-5/8")	376 mm (14-13/16")	41 mm (1-5/8")
RMB-16 Série	417 mm (16-3/8")	76 mm (3")	67 mm (2-5/8")	427 mm (16-13/16")	41 mm (1-5/8")
RMB-20 Série	518 mm (20-3/8")	76 mm (3")	67 mm (2-5/8")	529 mm (20-13/16")	41 mm (1-5/8")



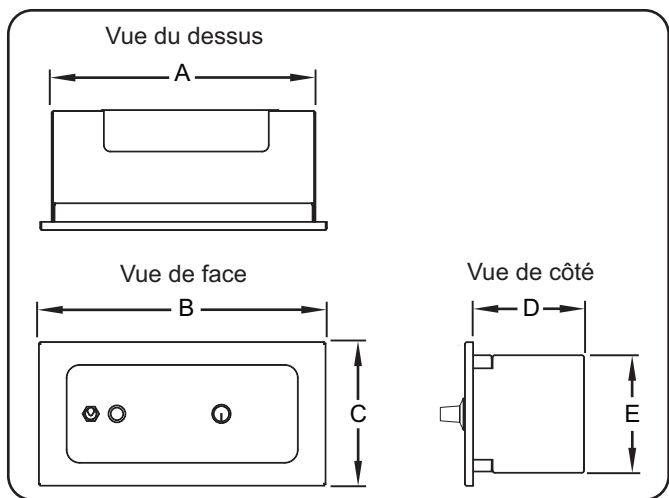
Dimensions de la série RMB

Compartiment de contrôle à distance—RMB2

Les compartiments de contrôle à distance de la série RMB2 permettent à plusieurs réchauffeurs de bande d'être câblés et contrôlés par un compartiment unique. L'ampérage total de tous les réchauffeurs de bande connectés ne peut pas excéder la notation du compartiment de contrôle à distance. Consultez l'usine pour des informations concernant le compartiment de contrôle à distance de la série RMB2 adapté pour une application spécifique.

Dimensions de la série RMB2

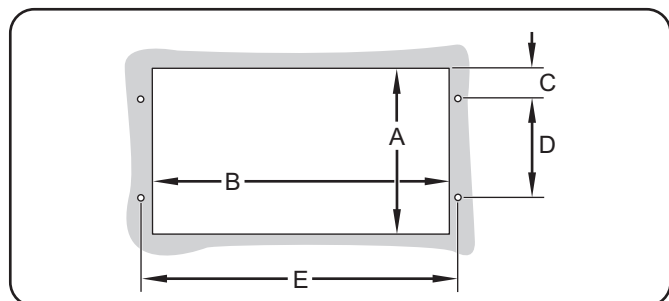
Modèle	Largueur (A)	Largueur (B)	Hauteur (C)	Profondeur (D)	Hauteur (E)
RMB2-1R	257 mm (10-1/8")	279 mm (11")	140 mm (5-1/2")	109 mm (4-1/4")	116 mm (4-5/8")
RMB2-2R	333 mm (13-1/8")	356 mm (14")	140 mm (5-1/2")	109 mm (4-1/4")	116 mm (4-5/8")



Dimensions de la série RMB2

Dimensions de la découpe de la série RMB2

Modèle	Dimensions de la découpe de l'ouverture		Dimensions de la cavité pour la vis		
	(A)	(B)	(C)	(D)	(E)
RMB2-1R	356 mm (4-3/4")	257 mm (10-1/8")	29 mm (1-1/8")	64 mm (2-1/2")	265 mm (10-7/16")
RMB2-2R	356 mm (4-3/4")	333 mm (13-1/8")	29 mm (1-1/8")	64 mm (2-1/2")	341 mm (13-7/16")



Dimensions de la découpe de la série RMB2

Ampoules DEL Chef

Les ampoules DEL Chef sont offertes pour tous les appareils. Les ampoules DEL Chef sont des ampoules électriques qui offrent des économies d'énergie par rapport aux ampoules à incandescence. Suivez les instructions ci-dessous pour le remplacement des ampoules :

120 Volts

2700K: R02.30.185.01
3000K: R02.30.195.01
4000K: R02.30.196.01

230 Volts

2700K: R02.30.197.01
3000K: R02.30.198.01
4000K: R02.30.199.01

GARANTIE LIMITÉE

1. GARANTIE DU PRODUIT

Hatco garantit que les produits qu'il fabrique (les « Produits ») sont exempts de défauts de matériel et de fabrication, dans des conditions normales d'utilisation et de maintenance, pour une période d'un (1) an à partir de la date d'achat à condition que l'appareil soit installé et entretenu conformément aux instructions écrites de Hatco ou 18 mois après la date de l'expédition par Hatco. L'acheteur doit prouver la date d'achat du Produit par l'enregistrement de ce dernier auprès de Hatco ou par d'autres moyens satisfaisants pour Hatco, à sa seule discrétion.

Hatco garantit que les composants du Produit suivants sont exempts de défauts de matériel et de fabrication à partir de la date d'achat (sous réserve des conditions précédentes) pour la ou les périodes de temps et en fonction des conditions listées ci-dessous :

- a) **Garantie d'un (1) an pour les pièces et la main-d'œuvre PLUS un (1) an supplémentaire pour les pièces uniquement :**
 - Éléments du grille-pain à convoyeur (enveloppe métallique)
 - Éléments des tiroirs chauffants (enveloppe métallique)
 - Tiroirs, roues et glissières des tiroirs chauffants
 - Éléments des rampes chauffantes (enveloppe métallique)
 - Éléments des vitrines chauffantes (enveloppe métallique, air chauffant)
 - Éléments des armoires de stockage (enveloppe métallique, air chauffant)
 - Éléments des compartiments chauffants — série HW et HWB (enveloppe métallique)
- b) **Garantie de deux (2) ans pour les pièces et la main-d'œuvre :**
 - Gammes à induction
 - Réchauds à induction
- c) **Garantie d'un (1) an pour les pièces et la main-d'œuvre PLUS quatre (4) ans pour les pièces uniquement :**
 - Cuves 3CS et FR
- d) **Garantie d'un (1) an pour les pièces et la main-d'œuvre PLUS neuf (9) ans pour les pièces uniquement :**
 - Cuves des appareils de chauffage d'appoint électriques
 - Cuves des appareils de chauffage d'appoint à gaz
- e) **Garantie de quatre-vingt-dix (90) jours pour les pièces uniquement :**
 - Pièces de rechange

LES GARANTIES PRÉCÉDENTES SONT EXCLUSIVES ET REMPLACENT TOUTES AUTRES GARANTIES, EXPRESSES OU IMPLICITES, COMPRENANT, MAIS NE SE LIMITANT PAS, À TOUTES GARANTIES IMPLICITES DE QUALITÉ MARCHANDE OU DE FINALITÉ PARTICULIÈRE OU TOUS BREVETS OU TOUTES AUTRES ATTEINTES AUX DROITS DE LA PROPRIÉTÉ INTELLECTUELLE. Sans restreindre la portée générale des énoncés précédents, CES GARANTIES NE COUVRENT PAS LES ÉLÉMENTS SUIVANTS : ampoules d'éclairage à incandescence enduites, lumières fluorescentes, ampoules de lampes chauffantes, ampoules d'éclairage à halogène enduites, ampoules de lampes chauffantes au xénon, tubes d'éclairage DEL, composants en verre et fusibles ; défaut de produit dans la cuve d'un appareil de chauffage d'appoint, dans un échangeur de chaleur à tubes à ailettes ou tout autre équipement de chauffage d'eau causé par la calcification, l'accumulation de sédiments, la réaction d'un produit chimique ou le gel ; ou une mauvaise utilisation, une manipulation ou une mauvaise application, une installation inappropriée du Produit ou l'utilisation d'une tension inappropriée.

2. LIMITES DES RECOURS ET DES DOMMAGES

La responsabilité de Hatco et la seule voie de recours de l'Acheteur prévues par les présentes seront limitées exclusivement, au gré de Hatco, à la réparation ou au remplacement à l'aide de pièces ou de Produits nouveaux ou remis à neuf par Hatco ou un centre de réparation agréé par Hatco (sauf si l'Acheteur se situe hors des États-Unis, du Canada, du Royaume-Uni ou de l'Australie, auquel cas la responsabilité de Hatco et la seule voie de recours de l'Acheteur seront limitées exclusivement au remplacement des pièces concernées par la garantie) à l'égard de toute revendication effectuée dans les délais de garantie applicables mentionnés ci-dessus. Hatco se réserve le droit d'accepter ou de rejeter toute réclamation en partie ou dans son intégralité. Dans le cadre de cette Garantie limitée, « remis à neuf » signifie une pièce ou un Produit dont les caractéristiques techniques d'origine ont été restaurées par Hatco ou un centre de réparation agréé par Hatco. Hatco n'acceptera aucun retour de Produits sans qu'il n'ait auparavant donné son accord écrit, et tous ces retours approuvés doivent être effectués aux seuls frais de l'Acheteur. HATCO NE SERA PAS TENU RESPONSABLE, DANS AUCUNE CIRCONSTANCE, DES DOMMAGES CONSÉCUTIFS OU INDIRECTS, COMPRENANT, MAIS NE SE LIMITANT PAS, AUX COÛTS DE MAIN-D'ŒUVRE OU PERTES DE PROFITS DUS À UNE UTILISATION OU À UNE IMPOSSIBILITÉ D'UTILISER LES PRODUITS OU DUS AU FAIT QUE LES PRODUITS ONT ÉTÉ INTÉGRÉS DANS OU QU'ILS SONT DEVENUS UN COMPOSANT DE TOUT AUTRE PRODUIT OU BIEN.

AUTHORIZED PARTS DISTRIBUTORS • AUTORISÉS DISTRIBUTEURS DE PIÈCES

ALABAMA

Jones McLeod Appl. Svc.
Birmingham 205-251-0159

ARIZONA

Tech 24
Phoenix 602-234-2443

Byassee Equipment Co.
Phoenix 602-252-0402

CALIFORNIA

Industrial Electric
Commercial Parts & Service, Inc.
Huntington Beach 714-379-7100

Chapman Appl. Service
San Diego 619-298-7106

P & D Appliance
Commercial Parts & Service, Inc.
S. San Francisco 650-635-1900

COLORADO

Hawkins Commercial Appliance
Englewood 303-781-5548

FLORIDA

Whaley Foodservice Repair
Jacksonville 904-725-7800

Whaley Foodservice Repair
Orlando 407-757-0851

B.G.S.I./Heritage
Pompano Beach 954-971-0456

Comm. Appliance Service
Tampa 813-663-0313

GEORGIA

Heritage Service Group
Norcross 866-388-9837

HAWAII

Burney's Comm. Service, Inc.
Honolulu 808-848-1466

Food Equip Parts & Service
Honolulu 808-847-4871

ILLINOIS

Parts Town
Addison 708-865-7278

Eichenauer Elec. Service
Decatur 217-429-4229

Midwest Elec. Appl. Service
Elmhurst 630-279-8000

Cone's Repair Service
Moline 309-797-5323

IOWA

Goodwin Tucker Group
Des Moines 515-262-9308

KENTUCKY

Tech 24
Lexington 859-254-8854

Tech 24
Louisville 502-451-5411

LOUISIANA

Chandlers Parts & Service
Baton Rouge 225-272-6620

MARYLAND

Electric Motor Service
Baltimore 410-467-8080

MASSACHUSETTS

Ace Service Co., Inc.
Needham 781-449-4220

MICHIGAN

Bildons Appliance Service
Detroit 248-478-3320

Commercial Kitchen Service
Bay City 989-893-4561

Midwest Food Equip. Service
Grandville 616-261-2000

MISSOURI

General Parts
Kansas City 816-421-5400

Commercial Kitchen Services
St. Louis 314-890-0700

Kaemmerlen Parts & Service
St. Louis 314-535-2222

NEBRASKA

Anderson Electric
Omaha 402-341-1414

NEVADA

Burney's Commercial
Las Vegas 702-736-0006

Hi. Tech Commercial Service
N. Las Vegas 702-649-4616

NEW JERSEY

Jay Hill Repair
Fairfield 973-575-9145

Service Plus
Flanders 973-691-6300

NEW YORK

Alpro Service Co.
Maspeth 718-386-2515

Duffy's - AIS
Buffalo 716-884-7425

3Wire
Plattsburgh 800-634-5005

Duffy's - AIS
Sauquoit 800-836-1014

J.B. Brady, Inc.
Syracuse 315-422-9271

NORTH CAROLINA

Authorized Appliance
Charlotte 704-377-4501

OHIO

Akron/Canton Comm. Svc. Inc.
Akron 330-753-6634

Tech 24
Cincinnati 513-772-6600

Commercial Parts and Service
Columbus 614-221-0057

Electrical Appl. Repair Service
Brooklyn Heights 216-459-8700

E. A. Wichman Co.
Toledo 419-385-9121

OKLAHOMA

Hagar Rest. Service, Inc.
Oklahoma City 405-235-2184

OREGON

General Parts Group
Portland 503-624-0890

PENNSYLVANIA

Elmer Schultz Services
Philadelphia 215-627-5401

FAST Comm. Appl. Service
Philadelphia 215-288-4800

AIS Commercial Parts and Service
Pittsburgh 412-809-0244

K & D Service Co.
Harrisburg 717-236-9039

Electric Repair Co.
Reading 610-376-5444

RHODE ISLAND

Marshall Electric Co.
Providence 401-331-1163

SOUTH CAROLINA

Whaley Foodservice Repair
Lexington 803-996-9900

TENNESSEE

Camp Electric
Memphis 901-527-7543

TEXAS

Armstrong Repair Service
Houston 713-666-7100

Cooking Equipment Specialist
Mesquite 972-686-6666

Commercial Kitchen Repair Co.
San Antonio 210-735-2811

UTAH

La Monica's Rest. Equip. Service
Murray 801-263-3221

VIRGINIA

Daubers
Norfolk 757-855-4097

Daubers
Springfield 703-866-3600

WASHINGTON

3Wire
Seattle 800-207-3146

WISCONSIN

A.S.C., Inc.
Madison 608-246-3160

A.S.C., Inc.
Milwaukee 414-543-6460

CANADA

ALBERTA

Key Food Equipment Service
Edmonton 780-438-1690

BRITISH COLUMBIA

Key Food Equipment Service
Vancouver 604-433-4484

Key Food Equipment Service
Victoria 250-920-4888

MANITOBA

Air Rite, Inc.
Winnipeg 204-895-2300

NEW BRUNSWICK

EMR Services, Ltd.
Moncton 506-855-4228

ONTARIO

R.G. Henderson Ltd.
Toronto 416-422-5580

Choquette - CKS, Inc.
Ottawa 613-739-8458

QUÉBEC

Choquette - CKS, Inc.
Montreal 514-722-2000

Choquette - CKS, Inc.
Québec City 418-681-3944

UNITED KINGDOM

Marren Group
Northants +44(0)1933 665313

HATCO CORPORATION
P.O. Box 340500
Milwaukee, WI 53234-0500 U.S.A.
800-558-0607 414-671-6350
support@hatcocorp.com
www.hatcocorp.com

Register your unit online!

See IMPORTANT OWNER INFORMATION
section for details.

S'inscrire en ligne!

Lisez la section **INFORMATIONS IMPORTANTES**
POUR LE PROPRIÉTAIRE pour plus de informations.