

hatcocorp.com

Register Online!
(see page 2)

S'inscrire en ligne!
(voir page 11)



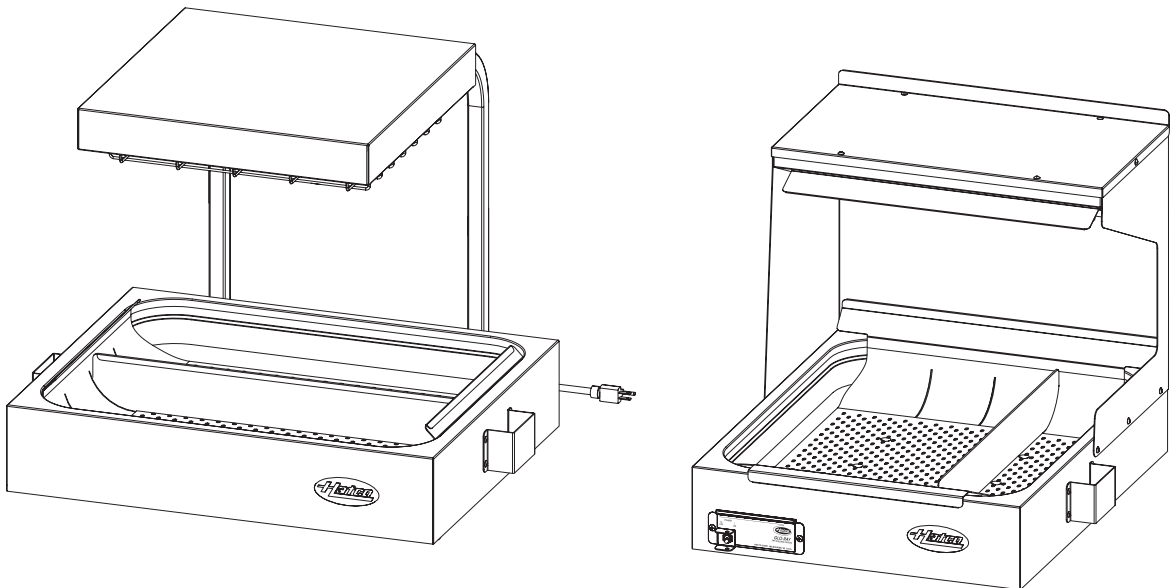
Glo-Ray®

Fry Holding Station • Chauffe-frites

GRFHS Series • Série GRFHS

Installation and Operating Manual

Manuel d'installation et d'utilisation



⚠ WARNING

Do not operate this equipment unless you have read and understood the contents of this manual! Failure to follow the instructions contained in this manual may result in serious injury or death. This manual contains important safety information concerning the maintenance, use, and operation of this product. If you're unable to understand the contents of this manual, please bring it to the attention of your supervisor. Keep this manual in a safe location for future reference.

English = p 2

⚠ ADVERTENCIA

No opere este equipo al menos que haya leído y comprendido el contenido de este manual! Cualquier falla en el seguimiento de las instrucciones contenidas en este manual puede resultar en un serio lesión o muerte. Este manual contiene importante información sobre seguridad concerniente al mantenimiento, uso y operación de este producto. Si usted no puede entender el contenido de este manual por favor pregunte a su supervisor. Almacenar este manual en una localización segura para la referencia futura.

⚠ AVERTISSEMENT

Ne pas utiliser cet équipement sans avoir lu et compris le contenu de ce manuel ! Le non-respect des instructions contenues dans ce manuel peut entraîner de graves blessures ou la mort. Ce manuel contient des informations importantes concernant l'entretien, l'utilisation et le fonctionnement de ce produit. Si vous ne comprenez pas le contenu de ce manuel, veuillez le signaler à votre supérieur. Conservez ce manuel dans un endroit sûr pour pouvoir vous y référer plus tard.

Français = p 11

Important Owner Information	2	Operation	7
Introduction	2	General.....	7
Important Safety Instructions	3	Maintenance	7
Model Description	4	General.....	7
All Models.....	4	Daily Cleaning	7
Model Designation	4	Replacing a Display Light Bulb	7
Specifications	4	Troubleshooting Guide	8
Plug Configurations	4	Options and Accessories	8
Electrical Rating Chart.....	5	Limited Warranty	10
Dimensions	5	Authorized Parts Distributors	Back Cover
Installation	6		
General.....	6		

IMPORTANT OWNER INFORMATION

Record the model number, serial number, voltage, and purchase date of the unit in the spaces below (specification label located on the lower, left-hand side of the unit). Please have this information available when calling Hatco for service assistance.

Model No. _____

Serial No. _____

Voltage _____

Date of Purchase _____

Business

Hours: 7:00 AM to 5:00 PM Monday–Friday,
Central Time (CT)
(Summer Hours: June to September—
7:00 AM to 5:00 PM Monday–Thursday
7:00 AM to 4:00 PM Friday)

Telephone: 800-558-0607; 414-671-6350

E-mail: support@hatcocorp.com



24 Hour 7 Day Parts and Service Assistance available in the United States and Canada by calling 800-558-0607.

Additional information can be found by visiting our web site at www.hatcocorp.com.

Register your unit!

Completing online warranty registration will prevent delay in obtaining warranty coverage. Access the Hatco website at www.hatcocorp.com, select the *Support* pull-down menu, and click on "Warranty".

INTRODUCTION

Hatco Glo-Ray® Fry Holding Stations are perfect for holding fried foods at kitchen work areas and serving areas. These warmers hold hot fried products and keep them at optimum serving temperatures without affecting quality.

The semi-enclosed chamber is equipped with pre-focused infrared heat from above and a thermostatically-controlled heated base to extend the holding times of the food product. The ceramic heating element(s) and the base blanket heating element are guaranteed against burnout and breakage for one year.

Each Hatco Glo-Ray Fry Holding Station is a product of extensive research and field testing. The materials used were selected for maximum durability, attractive appearance, and optimum performance. Every unit is inspected and tested thoroughly prior to shipment.

This manual provides the installation, safety, and operating instructions for Glo-Ray Fry Holding Stations. Hatco recommends all installation, operating, and safety instructions appearing in this manual be read prior to installation or operation of a unit.

Safety information that appears in this manual is identified by the following signal word panels:



WARNING indicates a hazardous situation which, if not avoided, could result in death or serious injury.



CAUTION indicates a hazardous situation which, if not avoided, could result in minor or moderate injury.



NOTICE is used to address practices not related to personal injury.



Read the following important safety information before using this equipment to avoid serious injury or death and to avoid damage to equipment or property.

WARNING

ELECTRIC SHOCK HAZARD:

- Plug unit into a properly grounded electrical receptacle of the correct voltage, size, and plug configuration. If plug and receptacle do not match, contact a qualified electrician to determine and install proper voltage and size electrical receptacle.
- Turn OFF power switch, unplug power cord, and allow unit to cool before performing any cleaning, adjustments, or maintenance.
- DO NOT submerge or saturate with water. Unit is not waterproof. Do not operate if unit has been submerged or saturated with water.
- Unit is not weatherproof. Locate unit indoors where ambient air temperature is a minimum of 70°F (21°C).
- This unit is not “jet-proof” construction. Do not use jet-clean spray to clean this unit.
- Do not steam clean or use excessive water on unit.
- Do not pull unit by power cord.
- Discontinue use if power cord is frayed or worn.
- Do not attempt to repair or replace a damaged power cord. Cord must be replaced by Hatco, an Authorized Hatco Service Agent, or a person with similar qualifications.
- This unit must be serviced by qualified personnel only. Service by unqualified personnel may lead to electric shock or burn.
- Use only Genuine Hatco Replacement Parts when service is required. Failure to use Genuine Hatco Replacement Parts will void all warranties and may subject operators of the equipment to hazardous electrical voltage, resulting in electrical shock or burn. Genuine Hatco Replacement Parts are specified to operate safely in the environments in which they are used. Some aftermarket or generic replacement parts do not have the characteristics that will allow them to operate safely in Hatco equipment.

FIRE HAZARD:

- Locate unit a minimum of 1" (25 mm) from combustible walls and materials. If safe distances are not maintained, combustion or discoloration could occur.
- Do not place anything on top of unit.

WARNING

Use only light bulbs that meet or exceed National Sanitation Foundation (NSF) standards and are specifically designed for food holding areas. Breakage of light bulbs not specially-coated could result in personal injury and/or food contamination.

Make sure all operators have been instructed on the safe and proper use of the unit.

This unit is not intended for use by children or persons with reduced physical, sensory, or mental capabilities. Ensure proper supervision of children and keep them away from the unit.

This unit has no “user-serviceable” parts. If service is required on this unit, contact an Authorized Hatco Service Agent or contact the Hatco Service Department at 800-558-0607 or 414-671-6350.

CAUTION

BURN HAZARD: Some exterior surfaces on unit will get hot. Use caution when touching these areas.

Locate unit at proper counter height in an area that is convenient for use. Location should be level to prevent unit or its contents from falling accidentally and strong enough to support the weight of the unit and contents.

Do not place anything on top of unit; doing so may subject personnel to injury or could damage unit.

Standard and approved manufacturing oils may smoke up to 30 minutes during initial startup. This is a temporary condition. Operate unit without food product until smoke dissipates.

NOTICE

Locate in an area that avoids air current around unit. Avoid areas that may be subject to active air movements or currents (i.e, near exhaust fans/hoods, exterior doors, and air conditioning ducts).

Pass-Through Tunnel models must have a 36" (914 mm) clearance in front and rear of unit.

Do not lay unit on the side with the control panel. Damage to unit could occur.

Use non-abrasive cleaners and cloths only. Abrasive cleaners and cloths could scratch finish of unit, marring its appearance and making it susceptible to soil accumulation.

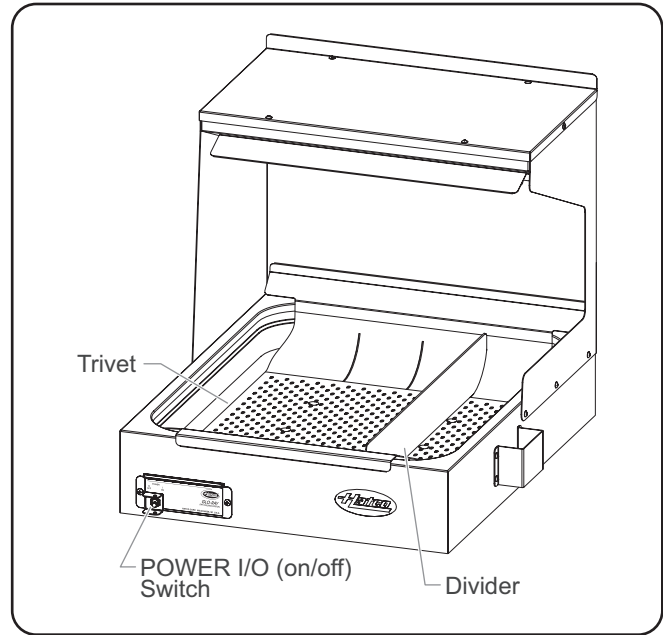
Clean unit daily to avoid malfunctions and maintain sanitary operation.

MODEL DESCRIPTION

All Models

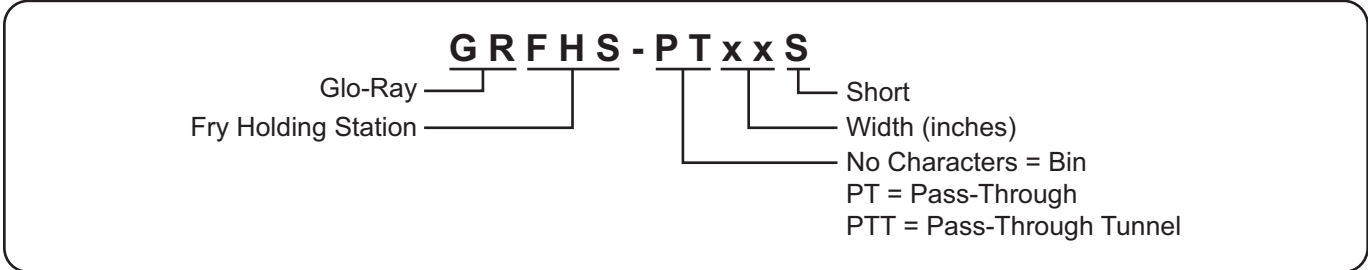
Glo-Ray® Fry Holding Stations ensure fried foods will remain at optimum temperatures without cooking or drying them out. Standard models are constructed of aluminum and stainless steel featuring a POWER I/O (on/off) switch, a preset thermostatically-controlled heated base, ceramic upper heating element(s), stainless steel trivet with sectional divider, and a 6' (1829 mm) cord and plug set.

Various options and accessories can be supplied to customize the Fry Holding Station. Refer to the OPTIONS AND ACCESSORIES section near the back of this manual for details.



Fry Holding Station (GRFHS-21 shown)

MODEL DESIGNATION



SPECIFICATIONS

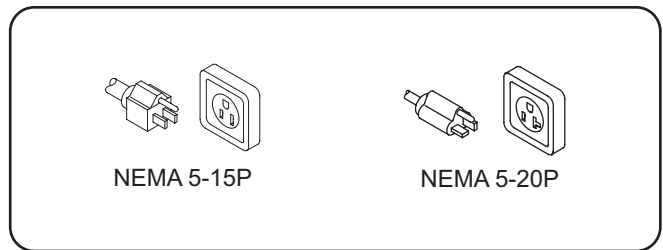
Plug Configurations

Units are supplied from the factory with an electrical cord and plug. Plugs are supplied according to the application.



ELECTRIC SHOCK HAZARD: Plug unit into a properly grounded electrical receptacle of the correct voltage, size, and plug configuration. If plug and receptacle do not match, contact a qualified electrician to determine and install proper voltage and size electrical receptacle.

NOTE: Specification label located on the lower, left-hand side of the unit. See label for serial number and verification of unit electrical information.



Plug Configurations

NOTE: Receptacle not supplied by Hatco.

Electrical Rating Chart

Model	Voltage	Watts	Amps	Plug Configuration	Shipping Weight
GRFHS-16	120	1090	9.1	NEMA 5-15P	51 lbs. (23 kg)
GRFHS-PT16	120	1090	9.1	NEMA 5-15P	60 lbs. (27 kg)
GRFHS-PTT16	120	1300	10.8	NEMA 5-15P	100 lbs. (45 kg)
GRFHS-21	120	1200	10.0	NEMA 5-15P	63 lbs. (29 kg)
GRFHS-21S	120	1200	10.0	NEMA 5-15P	63 lbs. (29 kg)
GRFHS-PTT21	120	1740	14.5	NEMA 5-15P †	100 lbs. (45 kg)
GRFHS-22	120	1030	8.6	NEMA 5-15P	44 lbs. (20 kg)
GRFHS-26	120	1200	10.0	NEMA 5-15P	66 lbs. (30 kg)
GRFHS-PT26	120	1440	12.0	NEMA 5-15P	64 lbs. (29 kg)

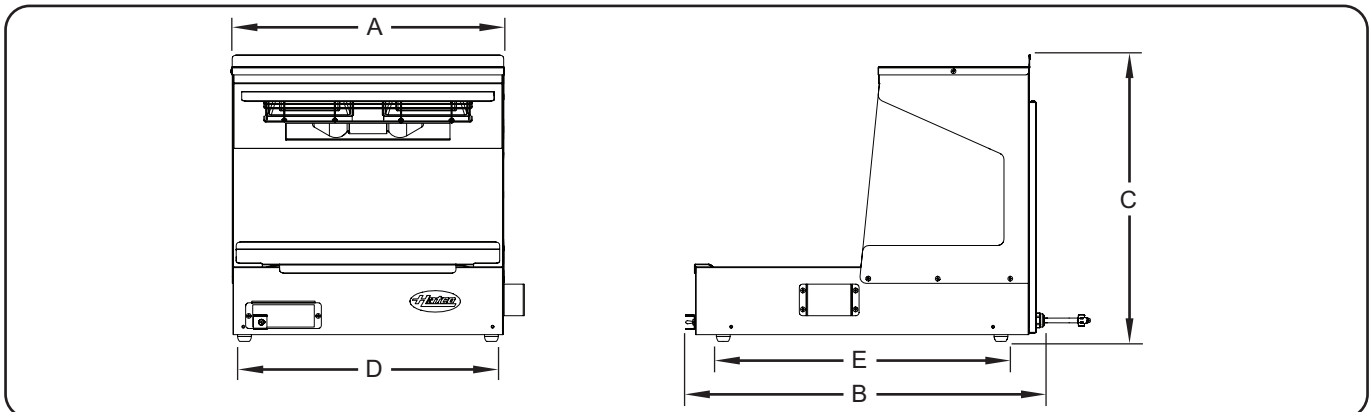
† The GRFHS-PTT21 for Canada uses a NEMA 5-20P plug configuration.

NOTE: Shipping weight includes packaging.

Dimensions

Model	Width (A)	Depth (B)	Height (C)	Footprint Width (D)	Footprint Depth (E)
GRFHS-16	16-3/8" (416 mm)	23" (583 mm)	22-3/4" (576 mm)	15-3/8" (390 mm)	17-3/4" (452 mm)
GRFHS-PT16	21-5/8" (548 mm)	23-3/16" (589 mm)	24-5/8" (625 mm)	15-11/16" (398 mm)	18-1/8" (460 mm)
GRFHS-PTT16	16-11/16" (423 mm)	23-7/16" (594 mm)	22-1/2" (572 mm)	15-11/16" (398 mm)	18-1/8" (460 mm)
GRFHS-21	21-5/8" (548 mm)	28-7/16" (721 mm)	22-3/4" (576 mm)	20-11/16" (525 mm)	20-1/2" (521 mm)
GRFHS-21S	21-5/8" (548 mm)	28-7/16" (721 mm)	16-1/2" (420 mm)	20-11/16" (525 mm)	20-1/2" (521 mm)
GRFHS-PTT21	22-5/8" (575 mm)	38" (965 mm)	22-5/8" (575 mm)	18-1/4" (464 mm)	25-1/4" (641 mm)
GRFHS-22	21-7/16" (543 mm)	18" (456 mm)	17-1/4" (439 mm)	20-11/16" (525 mm)	13-1/8" (333 mm)
GRFHS-26	26-3/8" (670 mm)	23-7/16" (594 mm)	22-3/4" (577 mm)	25-11/16" (652 mm)	17-5/8" (447 mm)
GRFHS-PT26 ‡	29-3/4" (757 mm)	22-3/8" (569 mm)	24-5/8" (625 mm)	25-11/16" (652 mm)	17-5/8" (447 mm)

‡ Add 2" (51 mm) to Height (C) when equipped with the optional 6" (152 mm) Base.



General

Glo-Ray® Fry Holding Stations are shipped from the factory with most components pre-assembled. Care should be taken when unpacking shipping carton to avoid damage to unit and the components enclosed.



ELECTRIC SHOCK HAZARD: Unit is not weatherproof. Locate unit indoors where ambient air temperature is a minimum of 70°F (21°C).

FIRE HAZARD:

- Locate unit a minimum of 1" (25 mm) from combustible walls and materials. If safe distances are not maintained, combustion or discoloration could occur.
- Do not place anything on top of unit.



Locate unit at proper counter height in an area that is convenient for use. Location should be level to prevent unit or its contents from falling accidentally and strong enough to support the weight of the unit and contents.

Do not place anything on top of unit; doing so may subject personnel to injury or could damage unit.

Standard and approved manufacturing oils may smoke up to 30 minutes during initial startup. This is a temporary condition. Operate unit without food product until smoke dissipates.

NOTE: Unit must be transported in the upright position.

1. Remove the unit from the carton.

NOTE: To prevent delay in obtaining warranty coverage, complete online warranty registration. See the IMPORTANT OWNER INFORMATION section for details.

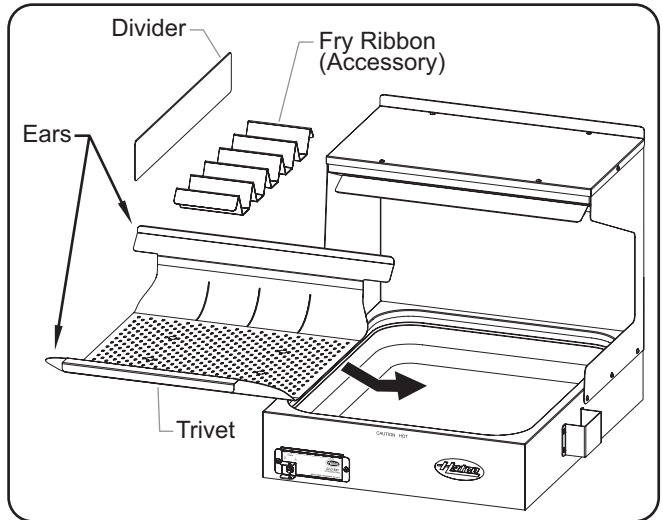
2. Remove tape and protective packaging from all surfaces of the unit and any accessories.



Do not lay unit on the side with the control panel. Damage to unit could occur.

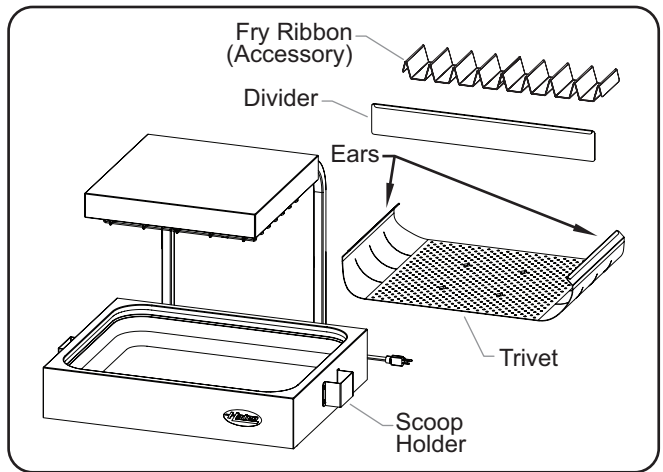
Locate in an area that avoids air current around unit. Avoid areas that may be subject to active air movements or currents (i.e., near exhaust fans/hoods, exterior doors, and air conditioning ducts).

3. Install the stainless steel trivet by placing it in the bottom of the Fry Holding Station with the perforated holes placed towards the base.
 - On GRFHS-16, -PT16, -PTT16, -21, -21S, -PTT21, -22, and -26 models, place the "ears" of the trivet against the front and back of the unit.



Installation (GRFHS-21 shown)

- On GRFHS-PT26 models, place the "ears" of the trivet against each side of the unit.



Installation (GRFHS-PT26 shown)

4. Install the stainless steel divider in any of the slots provided on the trivet. Make sure the folded edge is facing up.
5. Place the unit in the desired location.
 - Locate the unit in an area where the ambient air temperature is constant and a minimum of 70°F (21°C). Avoid areas that may be subject to active air movements or currents (i.e., near exhaust fans/hoods, exterior doors, air conditioning ducts, drive-through windows).
 - Make sure the unit is at the proper counter height in an area convenient for use.
 - Make sure the countertop is level and strong enough to support the weight of the unit and food product.
 - Make sure all the feet on the bottom of the unit are positioned securely on the countertop.
 - GRFHS-PTT16 and GRFHS-PTT21 models must have a 36" (914 mm) clearance in front and rear of the unit.
6. Install any accessories that came with the unit. Refer to the OPTIONS AND ACCESSORIES section for details.

General

Use the following procedure to operate a Glo-Ray® Fry Holding Station.

**WARNING**

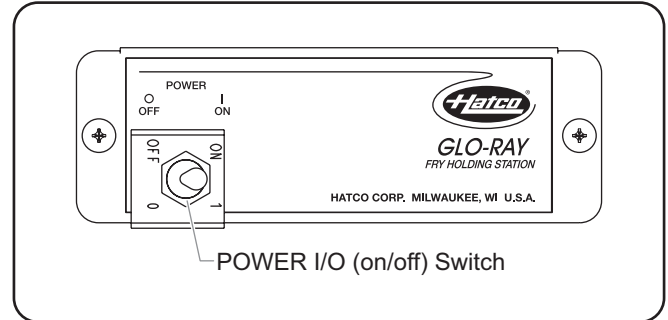
Read all safety messages in the **IMPORTANT SAFETY INFORMATION** section before operating this equipment.

1. Plug the unit into a properly grounded electrical receptacle of the correct voltage, size, and plug configuration. See the SPECIFICATIONS section for details.
2. Move the POWER I/O (on/off) switch to the I (on) position.
3. Allow 20–30 minutes for the unit to reach operating temperature.

**CAUTION**

BURN HAZARD: Some exterior surfaces on unit will get hot. Use caution when touching these areas.

NOTE: The unit comes equipped with an internal thermostat for the base heat that is preset at the factory. If an adjustment is necessary, please consult factory.



Control Panel

MAINTENANCE**General**

Glo-Ray Fry Holding Stations are designed for maximum durability and performance with minimum maintenance.

**WARNING****ELECTRIC SHOCK HAZARD:**

- Turn OFF power switch, unplug power cord, and allow unit to cool before performing any cleaning, adjustments, or maintenance.
- DO NOT submerge or saturate with water. Unit is not waterproof. Do not operate if unit has been submerged or saturated with water.
- This unit is not “jet-proof” construction. Do not use jet-clean spray to clean this unit.
- Do not steam clean or use excessive water on unit.
- Use only Genuine Hatco Replacement Parts when service is required. Failure to use Genuine Hatco Replacement Parts will void all warranties and may subject operators of the equipment to hazardous electrical voltage, resulting in electrical shock or burn. Genuine Hatco Replacement Parts are specified to operate safely in the environments in which they are used. Some aftermarket or generic replacement parts do not have the characteristics that will allow them to operate safely in Hatco equipment.

This unit has no “user-serviceable” parts. If service is required on this unit, contact an Authorized Hatco Service Agent or contact the Hatco Service Department at 800-558-0607 or 414-671-6350.

NOTICE

Use non-abrasive cleaners and cloths only. Abrasive cleaners and cloths could scratch finish of unit, marring its appearance and making it susceptible to soil accumulation.

Daily Cleaning

To preserve the finish of the Fry Holding Station, perform the following cleaning procedure daily.

1. Turn off unit, unplug the power cord, and allow unit to cool.
2. Remove any accessories for proper cleaning in a dishwasher or wash sink.
3. Wipe all metal surfaces with a damp, non-abrasive cloth. Stubborn stains may be removed with a good, non-abrasive cleaner. Clean hard to reach areas using a small brush and mild soap.
4. Wipe dry the entire unit using a dry, non-abrasive cloth.

Replacing a Display Light Bulb**WARNING**

Use only light bulbs that meet or exceed National Sanitation Foundation (NSF) standards and are specifically designed for food holding areas. Breakage of light bulbs not specially coated could result in personal injury and/or food contamination.

The display light is an incandescent bulb that illuminates the warming area. This bulb has a special coating to guard against injury and food contamination in the event of breakage.

1. Turn off unit, unplug the power cord, and allow unit to cool.
2. Unscrew the light bulb from the unit and replace it with a new, specially-coated incandescent light bulb.

NOTE: Hatco shatter-resistant light bulbs meet NSF standards for food holding and display areas. For 120 V units, use Hatco P/N 02.30.265.00.

NOTE: Shatter-resistant halogen bulbs are available in place of the standard incandescent bulbs. Halogen bulbs have a special coating to guard against injury and food contamination in the event of breakage. For 120 V units, use Hatco P/N 02.30.081.00.



This unit must be serviced by qualified personnel only. Service by unqualified personnel may lead to electric shock or burn.



ELECTRIC SHOCK HAZARD: Turn OFF power switch, unplug power cord, and allow unit to cool before performing any cleaning, adjustments, or maintenance.

Symptom	Probable Cause	Corrective Action
Unit is on, but there is no heat.	No power to the unit.	Check circuit breaker and reset as necessary. If power cord connected, check for damage to cord. If power cord connected, check electrical receptacle.
	Switch is defective.	Contact Authorized Service Agent or Hatco for assistance.
	Faulty wiring.	
	Heating element(s) are defective.	
Unit is on, but there is no lights.	Light bulbs are loose or defective.	Tighten light bulbs. If light bulb is tight and still not working, replace light bulb.
Heat is inadequate.	Excessive air movement around unit.	Restrict or redirect air movement (air conditioning duct or exhaust fan) away from unit.
	Incorrect power supply (low).	Check power supply to unit, making sure it matches rating on the unit. If power supply is incorrect, change to match rating on unit.
	Internal base thermostat is set too low or is faulty.	Contact Authorized Service Agent or Hatco for assistance.
	Heating element(s) are defective.	
Heat is excessive.	Incorrect power supply (high).	Check power supply to unit, making sure it matches rating on the unit. If power supply is incorrect, change to match rating on unit.
	Internal base thermostat is set too high or is faulty.	Contact Authorized Service Agent or Hatco for assistance.

Troubleshooting Questions?

If you continue to have problems resolving an issue, please contact the nearest Authorized Hatco Service Agency or Hatco for assistance. To locate the nearest Service Agency, log onto the Hatco website at www.hatcocorp.com, select the *Support* pull-down menu, and click on "Find A Service Agent"; or contact the **Hatco Parts and Service Team** at:

Telephone: 800-558-0607 or 414-671-6350

e-mail: support@hatcocorp.com

OPTIONS AND ACCESSORIES

GRFHS-PT26 w/ 6" (152 mm) Base

The GRFHS-PT26 is available with a 6" (152 mm) deep base instead of the standard 4" (102 mm) base.

Chef LED Bulbs

Chef LED bulbs are available for all Fry Holding Stations. CHEF LED bulbs are LED light bulbs that offer energy savings over incandescent bulbs.

Dividers

Additional dividers are available as accessories. Order using the following Hatco P/N that corresponds to the appropriate model.

Model	Order Number
GRFHS-16,	
GRFHS-26,	
GRFHS-PT16.....	FHSDIV1
GRFHS-21.....	FHSDIV2
GRFHS-PT26 (standard), GRFHS-PTT21.....	FHSDIV3
GRFHS-22.....	FHSDIV4
GRFHS-PT26 (optional 6" [152 mm] Base)....	FHSDIV5
GRFHS-PTT16.....	FHSDIV6

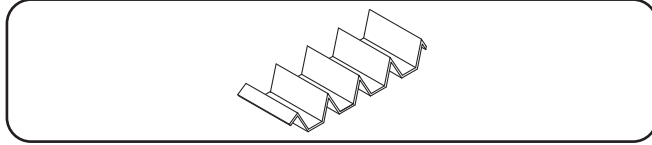
Box Ribbon

The following hardcoated box ribbons are available as accessories to hold french fry boxes. The four and five pleat ribbons can be installed on the right or left side of the fry pan.

Four Pleat Fry Box Ribbon

(GRFHS-16, -21, -21S, -PTT21, -22, -26, -PT26)

Five Pleat Fry Box Ribbon (GRFHS-21, -PTT21, -PT26)



Four Pleat Fry Box Ribbon

Bag Ribbon

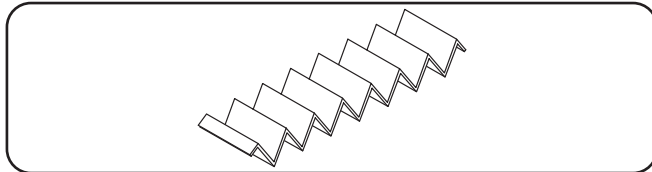
The following hardcoated bag ribbons are available as accessories to hold french fry bags. The five, six, and seven pleat ribbons can be installed on the right or left side of the fry pan.

Five Pleat Fry Bag Ribbon

(GRFHS-16, -21, -21S, -PTT21, -22, -26, -PT26)

Six Pleat Fry Bag Ribbon (GRFHS-21, -PTT21, -PT26)

Seven Pleat Fry Bag Ribbon (GRFHS-21, -PTT21, -PT26)



Seven Pleat Fry Bag Ribbon

Box/Bag Combo Ribbons

The following hardcoated box/bag combo ribbons are available as accessories. Each combo tray can hold up to three fry boxes and three fry bags.

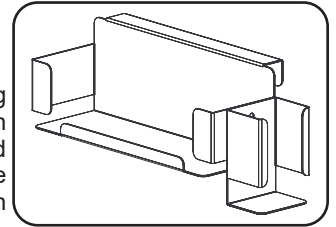
Six Pleat Fry Box/Bag Combo Ribbon

(GRFHS-21, -PTT21, -PT26)

A six pleat fry bag/box combo ribbon can be added to the fry bin on either the right or left side.

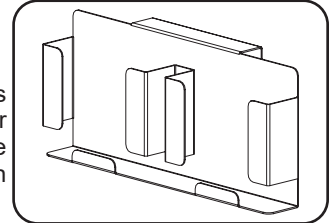
Side-by-Side Bag and Tong Holder

A side-by-side bag and tong holder is available as an accessory for GRFHS-21 and GRFHS-21S models only. The bag and tong holder hangs on the pan stop.



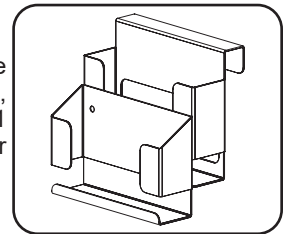
Side-by-Side Bag Holder

A side-by-side bag holder is available as an accessory for GRFHS-21 models only. The bag holder hangs on the pan stop.



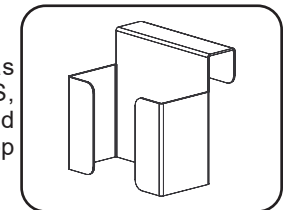
Piggy-Back Bag Holder

A piggy back bag holder is available as an accessory for GRFHS-21, GRFHS-21S, and GRFHS-PTT21 models. A piggy-back bag holder provides a second bag holder.



Scoop Holder

A scoop holder is available as an accessory for GRFHS-21S, GRFHS-PT26, GRFHS-PTT16, and GRFHS-PTT21 models. The scoop holder hangs on the pan stop.



Right- or Left-Hand Cutout for Fry Basket

An optional right- or left-hand cutout for easier access to a fry station with a fryer basket is available for GRFHS-16, GRFHS-21, and GRFHS-26 models.

1. PRODUCT WARRANTY

Hatco warrants the products that it manufactures (the "Products") to be free from defects in materials and workmanship, under normal use and service, for a period of one (1) year from the date of purchase when installed and maintained in accordance with Hatco's written instructions or 18 months from the date of shipment from Hatco. Buyer must establish the Product's purchase date by registering the Product with Hatco or by other means satisfactory to Hatco in its sole discretion.

Hatco warrants the following Product components to be free from defects in materials and workmanship from the date of purchase (subject to the foregoing conditions) for the period(s) of time and on the conditions listed below:

a) One (1) Year Parts and Labor PLUS One (1) Additional Year Parts-Only Warranty:

Conveyor Toaster Elements (metal sheathed)
Drawer Warmer Elements (metal sheathed)
Drawer Warmer Drawer Rollers and Slides
Strip Heater Elements (metal sheathed)
Display Warmer Elements (metal sheathed air heating)
Holding Cabinet Elements (metal sheathed air heating)
Heated Well Elements — HW and HWB Series
(metal sheathed)

b) Two (2) Year Parts and Labor Warranty:

Induction Ranges
Induction Warmers

c) One (1) Year Parts and Labor PLUS Four (4) Years Parts-Only Warranty:

3CS and FR Tanks

d) One (1) Year Parts and Labor PLUS Nine (9) Years Parts-Only Warranty on:

Electric Booster Heater Tanks
Gas Booster Heater Tanks

e) Ninety (90) Day Parts-Only Warranty:

Replacement Parts

THE FOREGOING WARRANTIES ARE EXCLUSIVE AND IN LIEU OF ANY OTHER WARRANTY, EXPRESSED OR IMPLIED, INCLUDING BUT NOT LIMITED TO ANY IMPLIED WARRANTY OF MERCHANTABILITY OR FITNESS FOR A PARTICULAR PURPOSE OR PATENT OR OTHER INTELLECTUAL PROPERTY RIGHT INFRINGEMENT. Without limiting the generality of the foregoing, SUCH WARRANTIES DO NOT COVER: Coated incandescent light bulbs, fluorescent lights, heat lamp bulbs, coated halogen light bulbs, halogen heat lamp bulbs, xenon light bulbs, LED light tubes, glass components, and fuses; Product failure in booster tank, fin tube heat exchanger, or other water heating equipment caused by liming, sediment buildup, chemical attack, or freezing; or Product misuse, tampering or misapplication, improper installation, or application of improper voltage.

2. LIMITATION OF REMEDIES AND DAMAGES

Hatco's liability and Buyer's exclusive remedy hereunder will be limited solely, at Hatco's option, to repair or replacement using new or refurbished parts or Product by Hatco or a Hatco-authorized service agency (other than where Buyer is located outside of the United States, Canada, United Kingdom, or Australia, in which case Hatco's liability and Buyer's exclusive remedy hereunder will be limited solely to replacement of part under warranty) with respect to any claim made within the applicable warranty period referred to above. Hatco reserves the right to accept or reject any such claim in whole or in part. In the context of this Limited Warranty, "refurbished" means a part or Product that has been returned to its original specifications by Hatco or a Hatco-authorized service agency. Hatco will not accept the return of any Product without prior written approval from Hatco, and all such approved returns shall be made at Buyer's sole expense. HATCO WILL NOT BE LIABLE, UNDER ANY CIRCUMSTANCES, FOR CONSEQUENTIAL OR INCIDENTAL DAMAGES, INCLUDING BUT NOT LIMITED TO LABOR COSTS OR LOST PROFITS RESULTING FROM THE USE OF OR INABILITY TO USE THE PRODUCTS OR FROM THE PRODUCTS BEING INCORPORATED IN OR BECOMING A COMPONENT OF ANY OTHER PRODUCT OR GOODS.

Informations Importantes pour le Propriétaire.....	11	Mode d'emploi	16
Introduction.....	11	Généralités	16
Consignes de Sécurité Importantes	12	Maintenance.....	16
Description du Modèle.....	13	Généralités	16
Tous les modèles.....	13	Nettoyage quotidien.....	16
Désignation du Modèle	13	Remplacement d'une Ampoule	16
Caractéristiques Techniques	13	Guide de Dépannage.....	17
Configuration des Fiches.....	13	Options et Accessoires	18
Tableau des valeurs nominales électriques	14	Garantie Limitée	19
Dimensions.....	14	Autorisés Distributeurs de Pièces.....	Couverture Arrière
Installation.....	15		
Généralités	15		

INFORMATIONS IMPORTANTES POUR LE PROPRIÉTAIRE

Noter le numéro de modèle, le numéro de série (L'étiquette de spécification du produit est située sur la partie inférieure gauche de l'appareil), le voltage et la date d'achat de votre appareil ci-dessous. Veuillez avoir cette information à portée de la main si vous appelez Hatco pour assistance.

Modèle No. _____

Numéro de série _____

Voltage _____

Date d'achat _____

Enregistrez votre appareil!

Remplissez la garantie en ligne pour éviter les retards pour faire jouer la garantie. Accédez au site Web Hatco www.hatcocorp.com, sélectionnez le menu déroulant *Support (Assistance)*, puis cliquez sur « Warranty » (Garantie).

Horaires

ouvrables : 7h00 à 17h00 du lundi au vendredi
Heure du Centre (CT)
(Horaires d'été : juin à septembre—
7h00 à 17h00 du lundi au jeudi
7h00 à 16h00 le vendredi)

Téléphone: 800-558-0607; 414-671-6350

Courriel: support@hatcocorp.com



Service d'assistance et de pièces de rechange disponible 7j/7, 24h/24 aux États-Unis et au Canada en composant le 800-558-0607.

Des renseignements supplémentaires sont disponibles sur notre site Web à www.hatcocorp.com.

INTRODUCTION

Les chauffe-frites Glo-Ray® de Hatco sont parfaits pour garder au chaud des produits frits, en cuisine comme en zone de service. Ces appareils chauffants maintiendront vos aliments frits à des températures optimales ; ils seront prêts à être servis à tout moment sans que la qualité ne soit altérée.

Chaque appareil semi-fermé est équipé d'un système chauffant à infrarouge focalisé, situé au-dessus de la cuve, et d'une base chauffante à contrôle thermostatique, vous permettant ainsi de conserver vos produits frits au chaud plus longtemps. Le(s) élément(s) chauffant(s) en céramique et la base chauffante sont garantis contre toute rupture et panne électrique pour une période d'un an.

Les chauffe-frites Glo-Ray de Hatco sont le fruit de recherches poussées et d'essais sur site complets. Les matériaux utilisés ont été sélectionnés pour une durabilité maximale, un aspect esthétique et une performance optimale. Chaque appareil est soigneusement inspecté et testé avant expédition.

Ce manuel fournit les instructions d'installation, les consignes de sécurité et le mode d'emploi du Chauffe-frites. Il est recommandé de lire toutes les instructions d'installation, de sécurité et de fonctionnement contenues dans ce manuel avant d'installer et d'utiliser le Chauffe-frites.

Les consignes de sécurité qui apparaissent dans ce manuel sont identifiées par les mots indicateurs suivants :

⚠ AVERTISSEMENT

AVERTISSEMENT indique une situation dangereuse qui, si elle n'est pas évitée, peut provoquer la mort ou des blessures graves.

⚠ ATTENTION

ATTENTION indique une situation dangereuse qui, si elle n'est pas évitée, peut provoquer des blessures légères ou moyennes.

AVIS

AVIS est utilisé pour des questions sans rapport avec des blessures corporelles.

⚠ Lisez l'information de sécurité importante suivante avant d'utiliser cet équipement pour éviter des dommages ou la mort sérieux et pour éviter d'endommager l'équipement ou la propriété.

⚠ AVERTISSEMENT

DANGER DE DÉCHARGE ÉLECTRIQUE :

- Brancher l'appareil sur une prise de courant avec terre de tension, de format et de configuration des broches corrects. Si la fiche et la prise ne se correspondent pas, s'adresser à un électricien qualifié pour déterminer et installer une prise de courant de format et de tension corrects.
- Mettez l'unité hors tension depuis l'interrupteur, débranchez le cordon d'alimentation et laissez l'unité refroidir avant d'effectuer tout nettoyage, tout réglage ou tout entretien.
- NE PAS immerger l'appareil ni le saturer d'eau. L'appareil n'est pas étanche à l'eau. Ne pas le faire fonctionner s'il a été immergé ou saturé d'eau.
- L'appareil n'est pas à l'épreuve des intempéries. Placer l'appareil à l'intérieur à une température ambiante de 21°C (70°F) minimum.
- Ne pas nettoyer à la vapeur ni utiliser trop d'eau sur l'appareil.
- Cet appareil n'est pas étanche aux jets. Ne pas utiliser de jet sous pression pour nettoyer l'appareil.
- Ne pas tirer l'appareil par son cordon électrique.
- Ne pas utiliser l'appareil si le cordon est endommagé ou usé.
- Ne pas tenter de réparer ni de changer un cordon électrique endommagé. Ce cordon doit être changé par Hatco, par un réparateur Hatco agréé ou par une personne de qualifications comparables.
- Ne pas nettoyer l'appareil lorsqu'il est sous tension ou chaud.
- Ne pas renverser de liquide dans l'appareil.
- Pour les réparations, utiliser exclusivement des pièces de rechange Hatco d'origine. Utilisez des pièces détachées Hatco authentiques sous peine d'annuler toutes les garanties et d'exposer l'utilisateur à des tensions électriques dangereuses pouvant entraîner une électrocution ou des brûlures. Les pièces de rechange Hatco d'origine sont conçues pour fonctionner sans danger dans les environnements dans lesquels elles sont utilisées. Certaines pièces de rechange génériques ou de second marché ne présentent pas les caractéristiques leur permettant de fonctionner sans danger dans la matériel Hatco.

DANGER D'INCENDIE :

- Placer l'appareil à un minimum de 25 mm (1") des parois et matières combustibles. Si une distance sûre n'est pas maintenue, la chaleur peut provoquer une combustion ou une altération de couleur.
- Ne déposez aucun objet combustible sur le dessus de l'appareil.

S'assurer que le produit alimentaire a été chauffé à une température adaptée au maintien de sa salubrité avant de le mettre sur l'appareil sous peine de risques graves pour la santé. Cet appareil est destiné au maintien de produits alimentaires préchauffés uniquement.

⚠ AVERTISSEMENT

La réparation de cet appareil doit être confiée exclusivement à du personnel qualifié. Les réparations par des personnes non qualifiées peuvent provoquer des décharges électriques et des brûlures.

Cet appareil ne doit pas être utilisé par des enfants ou des personnes avec des capacités physiques, sensorielles ou mentales diminuées. Assurez-vous que les enfants sont bien surveillés et tenez-les à l'écart de l'appareil.

Assurez-vous que tous les opérateurs ont été formés à l'utilisation sûre et correcte de l'appareil.

N'utilisez que des ampoules électriques qui correspondent ou qui surpassent les normes de la Fondation Nationale des Affaires Sanitaires (NSF) et qui sont spécifiquement conçues pour les espaces de conservation des aliments. Les bris d'une ampoule électrique non-opalisée peuvent provoquer des dommages corporels et/ou une contamination des aliments.

Cet appareil ne contient aucune pièce réparable par l'utilisateur. Si cet appareil doit être réparé, contacter un réparateur Hatco agréé ou le Service après-vente Hatco au 800-558-0607 ou 414-671-6350.

⚠ ATTENTION

DANGER DE BRÛLURE : Certaines surfaces extérieures de l'appareil deviennent chaudes. Toucher ces zones de l'appareil avec précaution.

Placer l'appareil sur un plan de travail de hauteur correcte à un endroit qui convient pour son utilisation. Le support doit être de niveau pour éviter toute chute accidentelle du grille-pain ou de son contenu et suffisamment solide pour résister au poids de l'appareil et de son contenu.

Ne déposez aucun objet sur le dessus de l'appareil ; le non-respect de cette consigne pourrait causer des blessures au personnel ou des dommages à l'équipement.

Les huiles de fabrication standard et approuvées pourront fumer pendant 30 minutes après l'allumage initial. C'est un problème temporaire. Utilisez l'appareil à vide jusqu'à dissipation de la fumée.

AVIS

Ne placez pas l'appareil dans un endroit où la circulation de l'air est trop forte. évitez les zones pouvant être soumises à des mouvements d'air ou à des courants d'air actifs (comme à proximité de ventilateurs d'échappement/de hottes d'aspiration, de conduites de climatisation et de portes extérieures).

Les modèles de tunnel passe-plats doivent avoir un dégagement de 914 mm (36") à l'avant et à l'arrière de l'appareil.

Ne pas poser l'appareil sur le côté du panneau de commande sous peine de l'endommager.

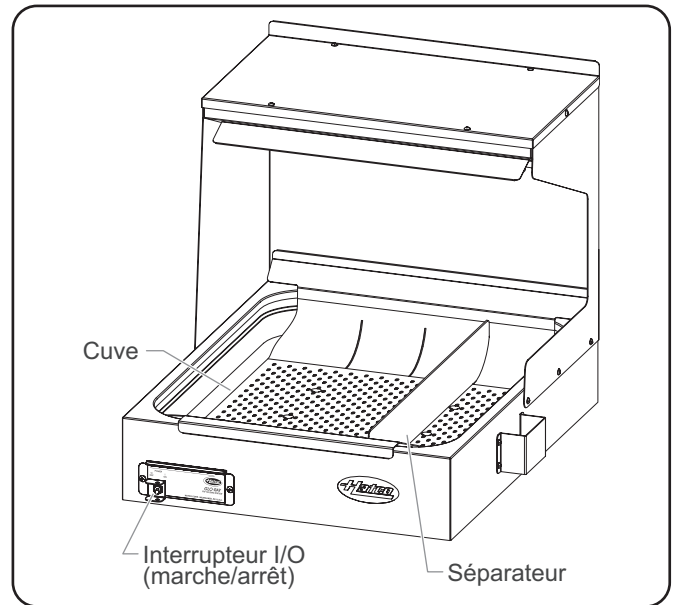
Utiliser seulement des nettoyeurs non abrasifs et des chiffons doux. Les chiffons et nettoyeur abrasifs pourraient érafler la finition de l'unité, entachant son apparence et la rendant susceptible à l'accumulation de saleté.

Nettoyez l'unité quotidiennement pour éviter les dysfonctionnements et assurer un fonctionnement sain.

Tous les modèles

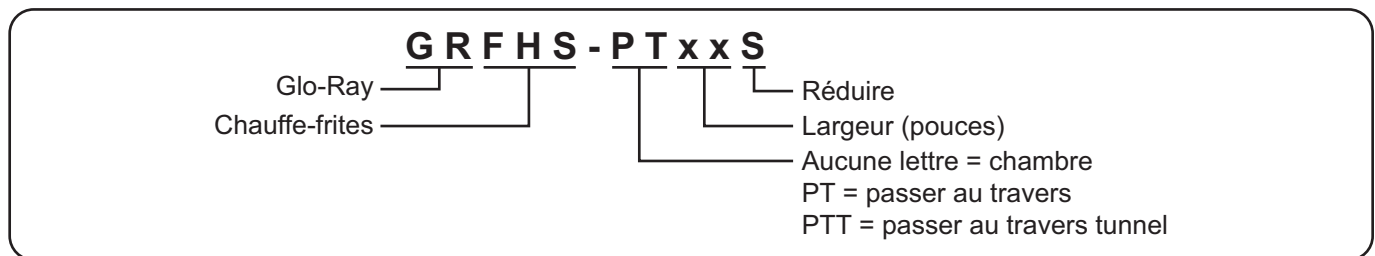
Les chauffe-frites Glo-Ray® maintiendront vos aliments frits à des températures optimales, sans qu'ils ne cuisent ou ne se dessèchent. Les modèles standard sont faits en aluminium et acier inoxydable et disposent d'un interrupteur I/O (marche/arrêt), d'une base chauffante munie d'un thermostat pré-réglé, d'éléments chauffants en céramique situés au-dessus d'une cuve en acier inoxydable pouvant être divisée en plusieurs sections, et d'un cordon d'alimentation d' 1829 mm (6').

Différents accessoires et options sont disponibles pour personnaliser votre chauffe-frites. Pour tout détail, reportez-vous à la section OPTIONS ET ACCESSOIRES, vers la fin de ce manuel.



Chauffe-frites (Modèle GRFHS-21)

DÉSIGNATION DU MODÈLE



CARACTÉRISTIQUES TECHNIQUES

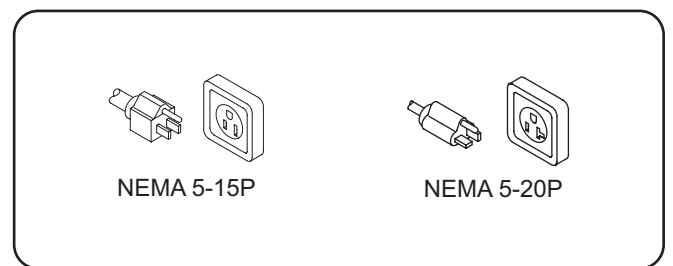
Configuration des fiches

Les appareils sont livrés avec un cordon électrique avec fiche. Différentes fiches sont fournies selon les applications.



DANGER DE DÉCHARGE ÉLECTRIQUE : Brancher l'appareil sur une prise de courant avec terre de tension, de format et de configuration des broches corrects. Si la fiche et la prise ne se correspondent pas, s'adresser à un électricien qualifié pour déterminer et installer une prise de courant de format et de tension corrects.

NOTA: Ne déposez aucun objet combustible sur le dessus de l'appareil. Reportez-vous à l'étiquette du numéro de série et les données électriques de l'appareil.



Configuration des fiches

NOTA: Prise non fournie par Hatco.

Tableau des valeurs nominales électriques

Modèle	Tension	Intensité	Amps	Configuration de Fiches	Poids d'embarquement
GRFHS-16	120	1090	9.1	NEMA 5-15P	51 lbs. (23 kg)
GRFHS-PT16	120	1090	9.1	NEMA 5-15P	60 lbs. (27 kg)
GRFHS-PTT16	120	1300	10.8	NEMA 5-15P	100 lbs. (45 kg)
GRFHS-21	120	1200	10.0	NEMA 5-15P	63 lbs. (29 kg)
GRFHS-21S	120	1200	10.0	NEMA 5-15P	63 lbs. (29 kg)
GRFHS-PTT21	120	1740	14.5	NEMA 5-15P †	100 lbs. (45 kg)
GRFHS-22	120	1030	8.6	NEMA 5-15P	44 lbs. (20 kg)
GRFHS-26	120	1200	10.0	NEMA 5-15P	66 lbs. (30 kg)
GRFHS-PT26	120	1440	12.0	NEMA 5-15P	64 lbs. (29 kg)

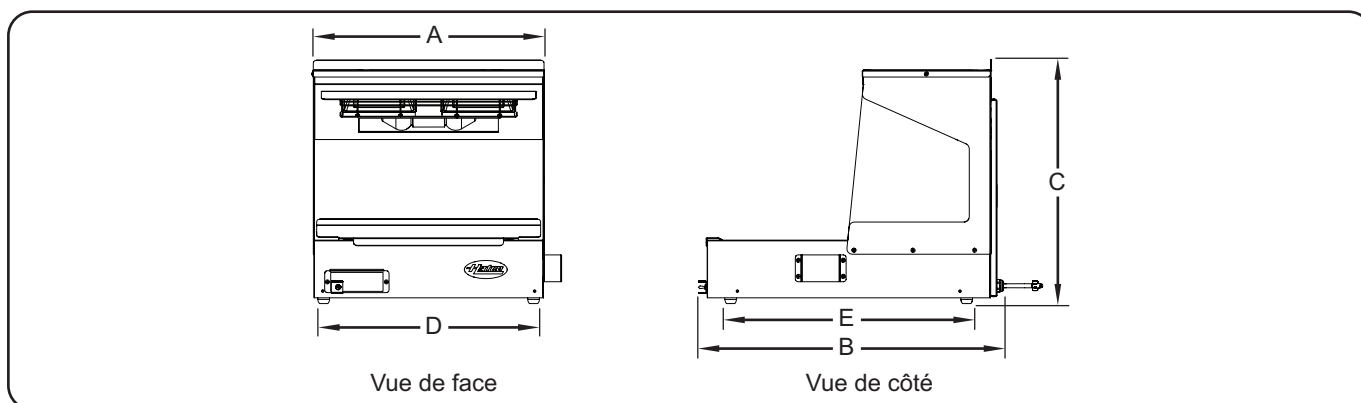
† Au Canada, la prise d'alimentation pour le modèle GRFHS-PTT21 est une prise NEMA 5-20P.

NOTA: Le poids d'embarquement comprend le matériel d'emballage.

Dimensions

Modèle	Largeur (A)	Profondeur (B)	Hauteur (C)	Empattement Largeur (D)	Empattement Profondeur (E)
GRFHS-16	459 mm (18-1/8")	583 mm (23")	576 mm (22-3/4")	390 mm (15-3/8")	452 mm (17-3/4")
GRFHS-PT16	548 mm (21-5/8")	589 mm (23-3/16")	625 mm (24-5/8")	398 mm (15-11/16")	460 mm (18-1/8")
GRFHS-PTT16	423 mm (16-11/16")	594 mm (23-7/16")	22-9/16" (573 mm)	15-11/16" (398 mm)	18-1/8" (460 mm)
GRFHS-21	548 mm (21-5/8")	721 mm (28-7/16")	576 mm (22-3/4")	525 mm (20-11/16")	521 mm (20-1/2")
GRFHS-21S	548 mm (21-5/8")	721 mm (28-7/16")	420 mm (16-1/2")	525 mm (20-11/16")	521 mm (20-1/2")
GRFHS-PTT21	575 mm (22-5/8")	965 mm (38")	575 mm (22-5/8")	464 mm (18-1/4")	641 mm (25-1/4")
GRFHS-22	543 mm (21-7/16")	456 mm (18")	439 mm (17-1/4")	525 mm (20-11/16")	333 mm (13-1/8")
GRFHS-26	670 mm (26-3/8")	594 mm (23-7/16")	577 mm (22-3/4")	652 mm (25-11/16")	447 mm (17-5/8")
GRFHS-PT26 ‡	757 mm (29-3/4")	569 mm (22-3/8")	625 mm (24-5/8")	652 mm (25-11/16")	447 mm (17-5/8")

‡ Ajout de 51 mm (2") à la Hauteur (C) lorsque l'appareil est équipé de la base optionnelle de 152 mm (6") de profondeur.



Généralités

Les chauffe-frites Glo-Ray® sont expédiés avec la plupart des composants préassemblés. Faire attention lors du déballage pour éviter d'endommager l'appareil et ses composants.

⚠ AVERTISSEMENT

DANGER DE DÉCHARGE ÉLECTRIQUE : L'appareil n'est pas à l'épreuve des intempéries. Placer l'appareil à l'intérieur à une température ambiante de 21°C (70°F) minimum.

DANGER D'INCENDIE :

- Placer l'appareil à un minimum de 25 mm (1") des parois et matières combustibles. Si une distance sûre n'est pas maintenue, la chaleur peut provoquer une combustion ou une altération de couleur.
- Ne déposez aucun objet combustible sur le dessus de l'appareil.

⚠ ATTENTION

Les huiles de fabrication standard et approuvées pourront fumer pendant 30 minutes après l'allumage initial. C'est un problème temporaire. Utilisez l'appareil à vide jusqu'à dissipation de la fumée.

NOTA: L'appareil doit rester droit pendant le transport.

1. Retirer l'appareil de sa boîte.

NOTA: Pour éviter des retards dans l'obtention de la couverture de la garantie, complétez l'enregistrement en ligne de votre garantie. Lisez la section INFORMATIONS IMPORTANTES POUR LE PROPRIÉTAIRE pour plus de détails.

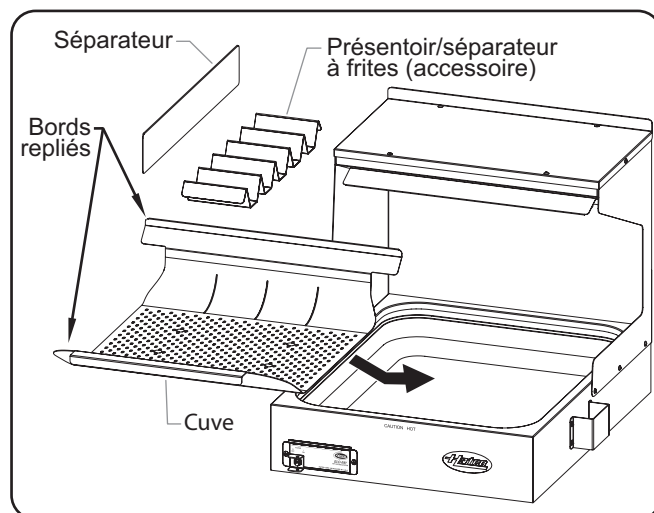
2. Retirer le ruban et le film de protection de toutes les surfaces de l'appareil.

AVIS

Ne placez pas l'appareil dans un endroit où la circulation de l'air est trop forte. évitez les zones pouvant être soumises à des mouvements d'air ou à des courants d'air actifs (comme à proximité de ventilateurs d'échappement/ de hottes d'aspiration, de conduites de climatisation et de portes extérieures).

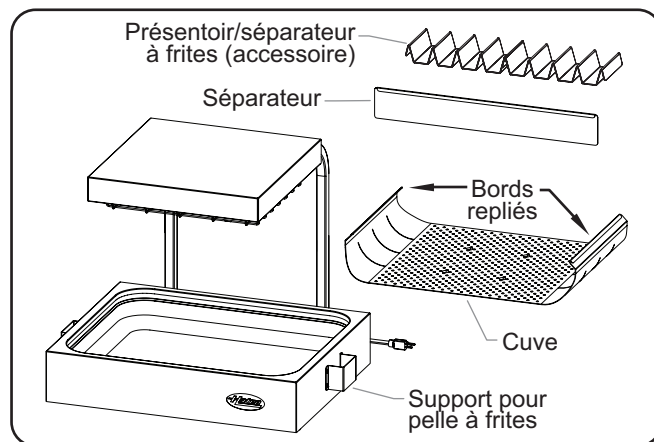
Ne pas poser l'appareil sur le côté du panneau de commande sous peine de l'endommager.

3. Installez la cuve en inox en la plaçant dans le fond du chauffe-frites, en veillant à ce que les trous perforés soient orientés vers la base.
 - Sur les modèles GRFHS-16, -PT16, -PTT16, -21, PTT21, -22, et -26, veillez à placer les bords repliés de la cuve sur les bords avant et arrière de l'appareil.



Installation (GRFHS-21 shown)

- Sur les modèles GRFHS-PT26, veillez à placer les bords repliés de la cuve sur les côtés de l'appareil.



Installation (GRFHS-PT26 shown)

4. Installez le séparateur en inox dans les fentes situées sur les parois de la cuve. Faites en sorte que le bord replié soit orienté vers le haut.
5. Placer l'appareil à l'endroit souhaité.
 - Placez l'appareil à un endroit où la température ambiante est constante et de 21°C (70°F) minimum. Évitez les endroits susceptibles d'activer les mouvements ou les courants d'air (comme à proximité de ventilateurs d'échappement/de hottes d'aspiration, de conduites de climatisation et de portes extérieures).
 - S'assurer que l'appareil est sur un plan de travail de hauteur correcte à un endroit qui convient pour son utilisation.
 - S'assurer que le plan de travail est de niveau et suffisamment solide pour résister au poids de l'appareil et des produits alimentaires.
 - Vérifier que tous les pieds sous l'appareil reposent solidement sur le plan de travail.
 - Les modèles GRFHS-PTT16 et GRFHS-PTT21 doivent disposer d'un dégagement de 914mm (36") à l'avant et à l'arrière de l'unité.
6. Installez tous les accessoires fournis avec l'appareil. Pour tout détail, reportez-vous à la section OPTIONS ET ACCESSOIRES.

Généralités

Procéder comme suit pour utiliser les chauffe-frites Glo-Ray®.

⚠ AVERTISSEMENT

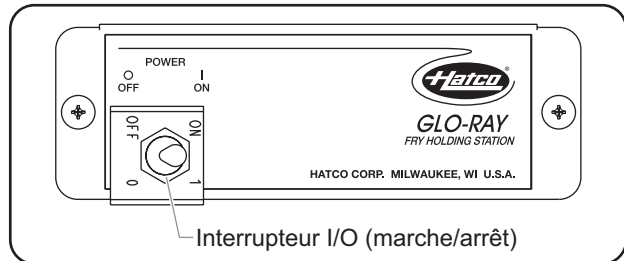
Lire tous les messages de sécurité de la section Consignes de sécurité importantes avant d'utiliser ce matériel.

1. Brancher l'appareil sur une prise électrique correctement mise à la terre du type, de la taille et de la tension corrects. Voir des détails à la section CARACTÉRISTIQUES TECHNIQUES.
2. Placer l'interrupteur I/O (marche/arrêt) sur I (marche).
3. Patientez 20 à 30 minutes afin d'atteindre une température de fonctionnement convenable.

⚠ ATTENTION

DANGER DE BRÛLURE : Certaines surfaces extérieures de l'appareil deviennent chaudes. Toucher ces zones de l'appareil avec précaution.

NOTA: L'appareil est fourni avec un thermostat interne pré réglé en usine qui permet de contrôler la température du support. Si des réglages sont nécessaires, veuillez nous contacter.



Interrupteur I/O Marche/Arrêt

MAINTENANCE

Généralités

Les chauffe-frites Glo-Ray ont été conçues pour une durabilité et une performance maximum et un minimum d'entretien.

⚠ AVERTISSEMENT

DANGER DE DÉCHARGE ÉLECTRIQUE :

- Mettre hors tension en utilisant l'interrupteur, débranchez le cordon d'alimentation et laissez l'unité refroidir avant d'effectuer tout nettoyage, tout réglage ou tout entretien.
- **NE PAS immerger l'appareil ni le saturer d'eau. L'appareil n'est pas étanche à l'eau. Ne pas le faire fonctionner s'il a été immergé ou saturé d'eau.**
- **Ne pas nettoyer à la vapeur ni utiliser trop d'eau sur l'appareil.**
- **Cet appareil n'est pas étanche aux jets. Ne pas utiliser de jet sous pression pour nettoyer l'appareil.**

Cet appareil ne contient aucune pièce réparable par l'utilisateur. Si cet appareil doit être réparé, contacter un réparateur Hatco agréé ou le Service après-vente Hatco au 800-558-0607 ou 414-671-6350.

Nettoyage quotidien

Pour préserver la finition de l'appareil et maintenir la performance, il est recommandé de nettoyer tous les jours l'appareil.

1. Mettre l'appareil hors tension, débrancher le cordon d'alimentation et laisser refroidir l'appareil.
2. Retirez tous les accessoires pour les laver en lave-vaisselle ou à la main.
3. Nettoyez toutes les surfaces métalliques à l'aide d'un chiffon humide non-abrasif. Les tâches persistantes pourront être retirées à l'aide d'un détergent efficace et non-abrasif. Nettoyez les zones difficiles d'accès à l'aide d'une petite brosse et de savon doux.
4. Essayez l'intégralité de l'appareil à l'aide d'un chiffon sec non-abrasif.

Remplacement d'une Ampoule

⚠ AVERTISSEMENT

N'utiliser que des ampoules électriques qui correspondent ou qui surpassent les standards de la Fondation Nationale des Affaires Sanitaires (NSF) et qui sont spécifiquement conçues pour les espaces de conservation des aliments. La casse d'ampoules électriques non enduites de manière spécifique pourrait entraîner des lésions corporelles et/ou une contamination des aliments.

La lumière d'affichage est une ampoule incandescente qui éclaire la zone chauffante. Cette ampoule a un enduit spécial pour éviter toute blessure et toute contamination des éléments en cas de casse.

Pour remplacer une ampoule lumineuse :

1. Mettre l'appareil hors tension, débrancher le cordon d'alimentation, et laisser refroidir l'appareil.
2. Dévissez l'ampoule lumineuse de l'appareil, et remplacez-la par une nouvelle ampoule lumineuse incandescente avec un enduit spécial.

NOTA : Les ampoules lumineuses résistantes aux chocs d'Hatco répondent aux standards de la NSF pour la conservation de la nourriture et des zones d'étalage. Pour les applications 120 volts, utilisez P/N 02.30.265.00 d'Hatco.

NOTA : Les ampoules halogènes sont disponibles en option. Pour les applications 120 volts, utilisez les pièces numéro 02.30.081.00 d'Hatco.

⚠ AVERTISSEMENT

La réparation de cet appareil doit être confiée exclusivement à du personnel qualifié. Les réparations par des personnes non qualifiées peuvent provoquer des décharges électriques et des brûlures.

⚠ AVERTISSEMENT

DANGER DE DÉCHARGE ÉLECTRIQUE: Mettez l'unité hors tension depuis l'interrupteur, débranchez le cordon d'alimentation et laissez l'unité refroidir avant d'effectuer tout nettoyage, tout réglage ou tout entretien.

Symptôme	Cause Probable	Solution
L'appareil est sur ON mais aucune chaleur n'est produite.	L'appareil n'est pas en marche.	Vérifiez le disjoncteur et redémarrez si nécessaire. Si le cordon d'alimentation est connecté, vérifiez qu'il ne soit pas endommagé. Si le cordon d'alimentation est connecté, vérifiez la prise électrique à laquelle il est relié.
	L'interrupteur est défectueux.	Contactez votre agent de maintenance agréé ou Hatco.
	L'appareil est mal connecté.	
	Le(s) élément(s) chauffant(s) est/sont défectueux.	
L'appareil est sous tension, mais rien ne s'allume.	Une ou plusieurs ampoules sont desserrées ou défectueuses.	Resserrez l'ampoule. Si l'ampoule DEL est serrée et qu'elle ne fonctionne toujours pas, remplacez-la.
Appareil pas assez chaud.	Il y a un mouvement d'air excessif autour de l'appareil.	Restreignez ou redirigez le mouvement de l'air (conduit d'air conditionné ou ventilateur) à distance de l'appareil.
	L'alimentation électrique est incorrecte (basse).	Vérifiez l'alimentation électrique de l'appareil, assurez-vous qu'il corresponde aux valeurs sur l'appareil. Si l'alimentation électrique est incorrecte, changez pour correspondre aux valeurs sur l'appareil.
	Le réglage du thermostat interne est trop faible ou défectueux.	Contactez votre agent de maintenance agréé ou Hatco.
	Le(s) élément(s) chauffant(s) est/sont défectueux.	
Appareil trop chaud.	L'alimentation électrique est incorrecte (élevée).	Vérifiez l'alimentation électrique de l'appareil, assurez-vous qu'il corresponde aux valeurs sur l'appareil. Si l'alimentation électrique est incorrecte, changez pour correspondre aux valeurs sur l'appareil.
	Le réglage du thermostat interne est trop élevé ou défectueux.	Contactez votre agent de maintenance agréé ou Hatco.

Vous avez des questions en ce qui concerne les pannes?

Si le problème persiste, veuillez contacter l'agence d'entretien agréée Hatco la plus proche ou Hatco pour obtenir une assistance. Pour trouver l'agence d'entretien la plus proche, rendez-vous sur le site Internet de Hatco (www.hatcocorp.com) et sélectionnez le menu déroulant *Support (Assistance)*, puis cliquez sur « Find A Service Agent » (trouver un agent d'entretien); ou contactez l'équipe d'entretien et de pièces détachées de Hatco :

Numéro de téléphone: 800-558-0607 or 414-671-6350

Courriel: support@hatcocorp.com

GRFHS-PT26 avec une base de 152 mm (6")

Le modèle GRFHS-PT26 est disponible avec une base de 152 mm (6") de profondeur, pour remplacer la base standard de 102 mm (4").

Ampoules DEL Chef

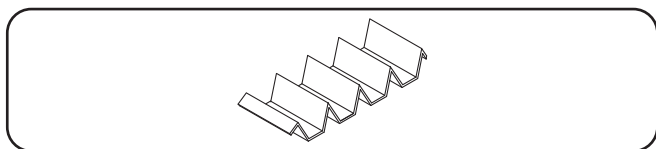
Les ampoules DEL Chef sont disponibles pour toutes les chauffe-frites. Les ampoules DEL CHEF sont des ampoules DEL qui procurent des économies d'énergie par rapport aux ampoules à incandescence.

Présentoir/séparateur pour boîtes de frites

Les présentoirs/séparateurs suivants servent de support aux boîtes de frites. Ils sont à revêtement dur et disponibles comme accessoire. Les présentoirs/séparateurs à 4 et 5 plis peuvent être installés sur le côté gauche ou droit de la cuve.

Présentoir/séparateur pour boîtes de frites à 4 plis
(GRFHS-16, -21, -21S, -PTT21, -22, -26, -PT26)

Présentoir/séparateur pour boîtes de frites à 5 plis
(GRFHS-21, -PTT21, -PT26)



Présentoir/séparateur pour boîtes de frites à 4 plis

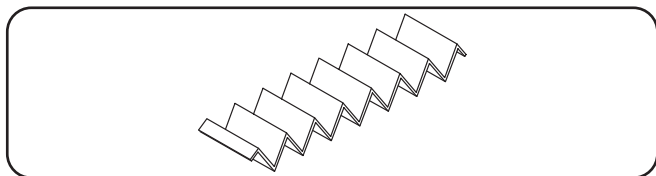
Présentoir/séparateur pour sachets de frites

Les présentoirs/séparateurs suivants servent de support aux sachets de frites. Ils sont à revêtement dur et disponibles comme accessoire. Les présentoirs/séparateurs à 5, 6 et 7 plis peuvent être installés sur le côté gauche ou droit de la cuve.

Présentoir/séparateur pour sachets de frites à 5 plis
(GRFHS-16, -21, -21S, -PTT21, -22, -26, -PT26)

Présentoir/séparateur pour sachets de frites à 6 plis
(GRFHS-21, -PTT21, -PT26)

Présentoir/séparateur pour sachets de frites à 7 plis
(GRFHS-21, -PTT21, -PT26)



Présentoir/séparateur pour sachets de frites à 7 plis

Présentoir/séparateur combo (pour sachets et boîtes de frites)

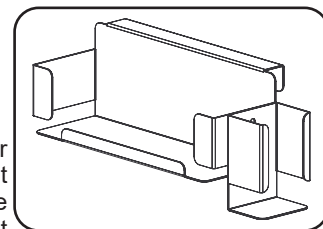
Les présentoirs/séparateurs combo suivants servent de support aux boîtes et sachets de frites. Ils sont à revêtement dur et disponibles comme accessoire. Chaque présentoir/séparateur combo sert de support à trois sachets de frites et trois boîtes de frites.

Présentoir/séparateur combo à 6 plis
(GRFHS-21, -PTT21, -PT26)

Le présentoir/séparateur combo à 6 plis peut être installé sur le côté gauche ou droit de la cuve.

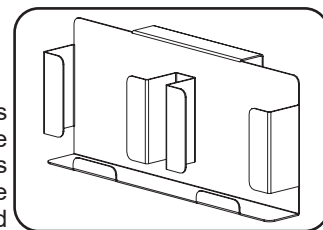
Combiné support pour pinces et emballages vides

Le combiné support pour pinces et emballages vides est disponible comme accessoire pour les modèles GRFHS-21 et GRFHS-21S uniquement. Le combiné support pour pinces et emballages vides se suspend sur un des côtés de la cuve.



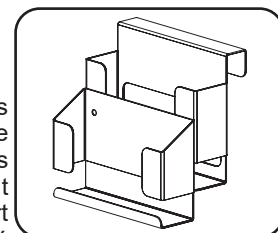
Support de sachets parallèles

Le support de sachets parallèles est disponible comme accessoire pour les modèles GRFHS-21 uniquement. Le support de sachets se suspend à l'extrémité de la cuve.



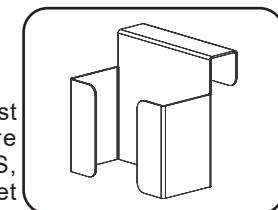
Double-support pour emballages vides

Le double-support pour emballages vides est disponible comme accessoire pour les modèles GRFHS-21, GRFHS-21S, et GRFHS-PTT21. Le double-support pour emballages vides est composé de deux supports pour emballages vides.



Support pour pelle à frites

Le support pour pelle à frites est disponible comme accessoire pour les modèles GRFHS-21S, GRFHS-PT26, GRFHS-PTT16, et GRFHS-PTT21. Le support pour pelle à frites se suspend sur un des côtés de la cuve.



Agencement de la cuve pour droitier ou gaucher

Des fentes optionnelles au niveau de la cuve permettent d'agencer cette dernière, selon que vous êtes droitier ou gaucher, afin d'avoir un meilleur accès à l'appareil avec le panier à frites. Cette option est disponible pour les modèles GRFHS-16, GRFHS-21, et GRFHS-26.

Séparateurs

Les séparateurs sont disponibles comme accessoire. Pour passer commande, veuillez utiliser le numéro de pièce Hatco correspondant au modèle que vous désirez.

Modèle	Order Number
GRFHS-16, GRFHS-26, GRFHS-PT16.....	FHSDIV1
GRFHS-21.....	FHSDIV2
GRFHS-PT26 (standard), GRFHS-PTT21.....	FHSDIV3
GRFHS-22.....	FHSDIV4
GRFHS-PT26 (optional 6" [152 mm] Base)....	FHSDIV5
GRFHS-PTT16.....	FHSDIV6

GARANTIE LIMITÉE

1. GARANTIE DU PRODUIT

Hatco garantit que les produits qu'il fabrique (les « Produits ») sont exempts de défauts de matériel et de fabrication, dans des conditions normales d'utilisation et de maintenance, pour une période d'un (1) an à partir de la date d'achat à condition que l'appareil soit installé et entretenu conformément aux instructions écrites de Hatco ou 18 mois après la date de l'expédition par Hatco. L'acheteur doit prouver la date d'achat du Produit par l'enregistrement de ce dernier auprès de Hatco ou par d'autres moyens satisfaisants pour Hatco, à sa seule discrétion.

Hatco garantit que les composants du Produit suivants sont exempts de défauts de matériel et de fabrication à partir de la date d'achat (sous réserve des conditions précédentes) pour la ou les périodes de temps et en fonction des conditions listées ci-dessous :

- a) **Garantie d'un (1) an pour les pièces et la main-d'œuvre PLUS un (1) an supplémentaire pour les pièces uniquement :**
 - Éléments du grille-pain à convoyeur (enveloppe métallique)
 - Éléments des tiroirs chauffants (enveloppe métallique)
 - Tiroirs, roues et glissières des tiroirs chauffants
 - Éléments des rampes chauffantes (enveloppe métallique)
 - Éléments des vitrines chauffantes (enveloppe métallique, air chauffant)
 - Éléments des armoires de stockage (enveloppe métallique, air chauffant)
 - Éléments des compartiments chauffants — série HW et HWB (enveloppe métallique)
- b) **Garantie de deux (2) ans pour les pièces et la main-d'œuvre :**
 - Gammes à induction
 - Réchauds à induction
- c) **Garantie d'un (1) an pour les pièces et la main-d'œuvre PLUS quatre (4) ans pour les pièces uniquement :**
 - Cuves 3CS et FR
- d) **Garantie d'un (1) an pour les pièces et la main-d'œuvre PLUS neuf (9) ans pour les pièces uniquement :**
 - Cuves des appareils de chauffage d'appoint électriques
 - Cuves des appareils de chauffage d'appoint à gaz
- e) **Garantie de quatre-vingt-dix (90) jours pour les pièces uniquement :**
 - Pièces de rechange

LES GARANTIES PRÉCÉDENTES SONT EXCLUSIVES ET REMPLACENT TOUTES AUTRES GARANTIES, EXPRESSES OU IMPLICITES, COMPRENANT, MAIS NE SE LIMITANT PAS, À TOUTES GARANTIES IMPLICITES DE QUALITÉ MARCHANDE OU DE FINALITÉ PARTICULIÈRE OU TOUTS BREVETS OU TOUTES AUTRES ATTEINTES AUX DROITS DE LA PROPRIÉTÉ INTELLECTUELLE. Sans restreindre la portée générale des énoncés précédents, CES GARANTIES NE COUVRENT PAS LES ÉLÉMENTS SUIVANTS : ampoules d'éclairage à incandescence enduites, lumières fluorescentes, ampoules de lampes chauffantes, ampoules d'éclairage à halogène enduites, ampoules de lampes chauffantes au xénon, tubes d'éclairage DEL, composants en verre et fusibles ; défaut de produit dans la cuve d'un appareil de chauffage d'appoint, dans un échangeur de chaleur à tubes à ailettes ou tout autre équipement de chauffage d'eau causé par la calcification, l'accumulation de sédiments, la réaction d'un produit chimique ou le gel ; ou une mauvaise utilisation, une manipulation ou une mauvaise application, une installation inappropriée du Produit ou l'utilisation d'une tension inappropriée.

2. LIMITES DES RECOURS ET DES DOMMAGES

La responsabilité de Hatco et la seule voie de recours de l'Acheteur prévues par les présentes seront limitées exclusivement, au gré de Hatco, à la réparation ou au remplacement à l'aide de pièces ou de Produits nouveaux ou remis à neuf par Hatco ou un centre de réparation agréé par Hatco (sauf si l'Acheteur se situe hors des États-Unis, du Canada, du Royaume-Uni ou de l'Australie, auquel cas la responsabilité de Hatco et la seule voie de recours de l'Acheteur seront limitées exclusivement au remplacement des pièces concernées par la garantie) à l'égard de toute revendication effectuée dans les délais de garantie applicables mentionnés ci-dessus. Hatco se réserve le droit d'accepter ou de rejeter toute réclamation en partie ou dans son intégralité. Dans le cadre de cette Garantie limitée, « remis à neuf » signifie une pièce ou un Produit dont les caractéristiques techniques d'origine ont été restaurées par Hatco ou un centre de réparation agréé par Hatco. Hatco n'acceptera aucun retour de Produits sans qu'il n'ait auparavant donné son accord écrit, et tous ces retours approuvés doivent être effectués aux seuls frais de l'Acheteur. HATCO NE SERA PAS TENU RESPONSABLE, DANS AUCUNE CIRCONSTANCE, DES DOMMAGES CONSÉCUTIFS OU INDIRECTS, COMPRENANT, MAIS NE SE LIMITANT PAS, AUX COÛTS DE MAIN-D'ŒUVRE OU PERTES DE PROFITS DUS À UNE UTILISATION OU À UNE IMPOSSIBILITÉ D'UTILISER LES PRODUITS OU DUS AU FAIT QUE LES PRODUITS ONT ÉTÉ INTÉGRÉS DANS OU QU'ILS SONT DEVENUS UN COMPOSANT DE TOUT AUTRE PRODUIT OU BIEN.

AUTHORIZED PARTS DISTRIBUTORS • DISTRIBUTEURS DE PIÈCES AUTORISÉS

ALABAMA

Jones McLeod Appl. Svc.
Birmingham 205-251-0159

ARIZONA

Tech 24
Phoenix 602-234-2443

Byassee Equipment Co.
Phoenix 602-252-0402

CALIFORNIA

Industrial Electric
Commercial Parts & Service, Inc.
Huntington Beach 714-379-7100

Chapman Appl. Service
San Diego 619-298-7106

P & D Appliance
Commercial Parts & Service, Inc.
S. San Francisco 650-635-1900

COLORADO

Hawkins Commercial Appliance
Englewood 303-781-5548

FLORIDA

Whaley Foodservice Repair
Jacksonville 904-725-7800

Whaley Foodservice Repair
Orlando 407-757-0851

B.G.S.I./Heritage
Pompano Beach 954-971-0456

Comm. Appliance Service
Tampa 813-663-0313

GEORGIA

Heritage Service Group
Norcross 866-388-9837

HAWAII

Burney's Comm. Service, Inc.
Honolulu 808-848-1466

Food Equip Parts & Service
Honolulu 808-847-4871

ILLINOIS

Parts Town
Addison 708-865-7278

Eichenauer Elec. Service
Decatur 217-429-4229

Midwest Elec. Appl. Service
Elmhurst 630-279-8000

Cone's Repair Service
Moline 309-797-5323

IOWA

Goodwin Tucker Group
Des Moines 515-262-9308

KENTUCKY

Tech 24
Lexington 859-254-8854

Tech 24
Louisville 502-451-5411

LOUISIANA

Chandlers Parts & Service
Baton Rouge 225-272-6620

MARYLAND

Electric Motor Service
Baltimore 410-467-8080

MASSACHUSETTS

Ace Service Co., Inc.
Needham 781-449-4220

MICHIGAN

Bildons Appliance Service
Detroit 248-478-3320

Commercial Kitchen Service
Bay City 989-893-4561

Midwest Food Equip. Service
Grandville 616-261-2000

MISSOURI

General Parts
Kansas City 816-421-5400

Commercial Kitchen Services
St. Louis 314-890-0700

Kaemmerlen Parts & Service
St. Louis 314-535-2222

NEBRASKA

Anderson Electric
Omaha 402-341-1414

NEVADA

Burney's Commercial
Las Vegas 702-736-0006

Hi. Tech Commercial Service
N. Las Vegas 702-649-4616

NEW JERSEY

Jay Hill Repair
Fairfield 973-575-9145

Service Plus
Flanders 973-691-6300

NEW YORK

Alpro Service Co.
Maspeth 718-386-2515

Duffy's - AIS
Buffalo 716-884-7425

3Wire
Plattsburgh 800-634-5005

Duffy's - AIS
Sauquoit 800-836-1014

J.B. Brady, Inc.
Syracuse 315-422-9271

NORTH CAROLINA

Authorized Appliance
Charlotte 704-377-4501

OHIO

Akron/Canton Comm. Svc. Inc.
Akron 330-753-6634

Tech 24
Cincinnati 513-772-6600

Commercial Parts and Service
Columbus 614-221-0057

Electrical Appl. Repair Service
Brooklyn Heights 216-459-8700

E. A. Wichman Co.
Toledo 419-385-9121

OKLAHOMA

Hagar Rest. Service, Inc.
Oklahoma City 405-235-2184

OREGON

General Parts Group
Portland 503-624-0890

PENNSYLVANIA

Elmer Schultz Services
Philadelphia 215-627-5401

FAST Comm. Appl. Service
Philadelphia 215-288-4800

AIS Commercial Parts and Service
Pittsburgh 412-809-0244

K & D Service Co.
Harrisburg 717-236-9039

Electric Repair Co.
Reading 610-376-5444

RHODE ISLAND

Marshall Electric Co.
Providence 401-331-1163

SOUTH CAROLINA

Whaley Foodservice Repair
Lexington 803-996-9900

TENNESSEE

Camp Electric
Memphis 901-527-7543

TEXAS

Armstrong Repair Service
Houston 713-666-7100

Cooking Equipment Specialist
Mesquite 972-686-6666

Commercial Kitchen Repair Co.
San Antonio 210-735-2811

UTAH

La Monica's Rest. Equip. Service
Murray 801-263-3221

VIRGINIA

Daubers
Norfolk 757-855-4097

Daubers
Springfield 703-866-3600

WASHINGTON

3Wire
Seattle 800-207-3146

WISCONSIN

A.S.C., Inc.
Madison 608-246-3160

A.S.C., Inc.
Milwaukee 414-543-6460

CANADA

ALBERTA

Key Food Equipment Service
Edmonton 780-438-1690

BRITISH COLUMBIA

Key Food Equipment Service
Vancouver 604-433-4484

Key Food Equipment Service
Victoria 250-920-4888

MANITOBA

Air Rite, Inc.
Winnipeg 204-895-2300

NEW BRUNSWICK

EMR Services, Ltd.
Moncton 506-855-4228

ONTARIO

R.G. Henderson Ltd.
Toronto 416-422-5580

Choquette - CKS, Inc.
Ottawa 613-739-8458

QUÉBEC

Choquette - CKS, Inc.
Montreal 514-722-2000

Choquette - CKS, Inc.
Québec City 418-681-3944

UNITED KINGDOM

Marren Group
Northants +44(0)1933 665313

HATCO CORPORATION

P.O. Box 340500

Milwaukee, WI 53234-0500 U.S.A.

800-558-0607 414-671-6350

support@hatcocorp.com

www.hatcocorp.com

Register your unit online!

See IMPORTANT OWNER INFORMATION
section for details.

S'inscrire en ligne!

Lisez la section **INFORMATIONS IMPORTANTES**
POUR LE PROPRIÉTAIRE pour plus de informations.