



Chest Freezers

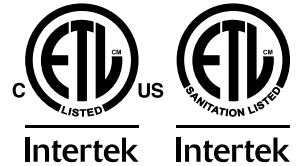
Models FR-CN-0142, 0192, 0282, 0445, 0600

Items 46501, 46502, 46503, 46504, 46505

Instruction Manual



Revised - 08/08/2022



Toll Free: 1-800-465-0234
Fax: 905-607-0234
Email: service@omcan.com
www.omcan.com

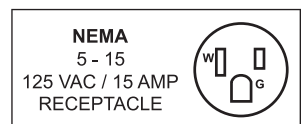


Table of Contents

Model FR-CN-0142 / Model FR-CN-0192 / Model FR-CN-0282
Model FR-CN-0445 / Model FR-CN-0600

Section	Page
Disclaimer -----	3
General Information -----	4 - 5
Safety and Warranty -----	5 - 7
Technical Specifications -----	8
Maintenance -----	8 - 9
Troubleshooting -----	9
Parts Breakdown -----	10 - 14
Electrical Schematics -----	15 - 17
Notes -----	18
Warranty Registration -----	19

OMCAN IS NOT RESPONSIBLE FOR ANY DAMAGES DUE TO WATER LEAKS. WARRANTY FOR WATER LEAKS IS VOID IF THE AMBIENT ROOM TEMPERATURE EXCEEDS 75°F AND 55% RELATIVE HUMIDITY, AND THE APPLIANCE DRAIN IS NOT CONNECTED DIRECTLY TO A FLOOR DRAIN.

General Information

Omcan Manufacturing and Distributing Company Inc., Food Machinery of America, Inc. dba Omcan and Omcan Inc. are not responsible for any harm or injury caused due to any person's improper or negligent use of this equipment. The product shall only be operated by someone over the age of 18, of sound mind, and not under the influence of any drugs or alcohol, who has been trained in the correct operation of this machine, and is wearing authorized, proper safety clothing. Any modification to the machine voids any warranty, and may cause harm to individuals using the machine or in the vicinity of the machine while in operation.

CHECK PACKAGE UPON ARRIVAL

Upon receipt of an Omcan shipment please inspect for external damage. If no damage is evident on the external packaging, open carton to ensure all ordered items are within the box, and there is no concealed damage to the machine. If the package has suffered rough handling, bumps or damage (visible or concealed), please note it on the bill of lading before accepting the delivery and contact Omcan within 24 hours, so we may initiate a claim with the carrier. A detailed report on the extent of the damage caused to the machine must be filled out within three days, from the delivery date shown in the shipping documents. Omcan has no recourse for damaged products that were shipped collect or third party.

Before operating any equipment, always read and familiarize yourself with all operation and safety instructions.

Omcan would like to thank you for purchasing this machine. It's of the utmost importance to save these instructions for future reference. Also save the original box and packaging for shipping the equipment if servicing or returning of the machine is required.

Omcan Fabrication et distribution Compagnie Limitée et Food Machinery d'Amérique, dba Omcan et Omcan Inc. ne sont pas responsables de tout dommage ou blessure causé du fait que toute personne ait utilisé cet équipement de façon irrégulière. Le produit ne doit être exploité que par quelqu'un de plus de 18 ans, sain d'esprit, et pas sous l'influence d'une drogue ou d'alcool, qui a été formé pour utiliser cette machine correctement, et est vêtu de vêtements de sécurité appropriés. Toute modification de la machine annule toute garantie, et peut causer un préjudice à des personnes utilisant la machine ou des personnes à proximité de la machine pendant son fonctionnement.

VÉRIFIEZ LE COLIS DÈS RÉCEPTION

Dès réception d'une expédition d'Omcan veuillez inspecter pour dommages externes. Si aucun dommage n'est visible sur l'emballage externe, ouvrez le carton afin de s'assurer que tous les éléments commandés sont dans la boîte, et il n'y a aucun dommage dissimulé à la machine. Si le colis n'a subi aucune mauvaises manipulations, de bosses ou de dommages (visible ou cachée), notez-le sur le bond de livraison avant d'accepter la livraison et contactez Omcan dans les 24 heures qui suivent, pour que nous puissions engager une réclamation auprès du transporteur. Un rapport détaillé sur l'étendue des dommages causés à la machine doit être rempli dans un délai de trois jours, à compter de la date de livraison indiquée dans les documents d'expédition. Omcan n'a aucun droit de recours pour les produits endommagés qui ont été expédiés ou cueilli par un tiers transporteur.

General Information

Avant d'utiliser n'importe quel équipement, toujours lire et vous familiariser avec toutes les opérations et les consignes de sécurité.

Omcan voudrais vous remercier d'avoir choisi cette machine. Il est primordial de conserver ces instructions pour une référence ultérieure. Également conservez la boîte originale et l'emballage pour l'expédition de l'équipement si l'entretien ou le retour de la machine est nécessaire.

Omcan Empresa De Fabricacion Y Distribucion Inc. Y Maquinaria De Alimentos De America, Inc. dba Omcan y Omcan Inc. no son responsables de ningun daño o perjuicio causado por cualquier persona inadecuada o el uso descuidado de este equipo. El producto solo podra ser operado por una persona mayor de 18 años, en su sano juicio y no bajo alguna influencia de droga o alcohol, y que este ha sido entrenado en el correcto funcionamiento de esta máquina, y ésta usando ropa apropiada y autorizada. Cualquier modificación a la máquina anula la garantía y puede causar daños a las personas usando la máquina mientras esta en el funcionamiento.

REVISE EL PAQUETE A SU LLEGADA

Tras la recepcion de un envio Omcan favor inspeccionar daños externos. Si no hay daños evidentes en el empaque exterior, Habra el carton para asegurarse que todos los articulos solicitados estén dentro de la caja y no encuentre daños ocultos en la máquina. Si el paquete ha sufrido un manejo de poco cuidado, golpes o daños (visible o oculto) por favor anote en la factura antes de aceptar la entrega y contacte Omcan dentro de las 24 horas, de modo que podamos iniciar una reclamación con la compañía. Un informe detallado sobre los daños causados a la máquina debe ser llenado en el plazo de tres días, desde la fecha de entrega que se muestra en los documentos de envío. Omcan no tiene ningun recurso por productos dañados que se enviaron a recoger por terceros.

Antes de utilizar cualquier equipo, siempre lea y familiarizarse con todas las instrucciones de funcionamiento y seguridad.

Omcan le gustaría darle las gracias por la compra de esta máquina. Es de la mayor importancia para salvar estas instrucciones para futuras consultas. Además, guarda la caja original y el embalaje para el envío del equipo si servicio técnico o devolución de la máquina que se requiere.

Safety and Warranty

CAUTION FOR USING

1. Unpack all packages before using the showcase. Don't bend it over more than 60° while moving it.
2. The showcase should be installed in the environment of good ventilation, Cool and dry and without corrosive gas. It should not be installed close to heat sources or directly under the sunlight. The space more than 10cm between the wall of the front and the back of the showcase should be allowed. When installing, the universal wheels should be padded well. So as to make the showcase be level and stable, or

Safety and Warranty

it will cause vibration and too much noise.

3. When initial operation, the refrigerator should run empty for about one hour before storing food in it.
4. Before placing food into the freezer, adjust the temperature control to the lowest point (highest number) and let it run until the temperature of inner cabinet decreases to 0°F. Put the food in, and after 12 hours adjust the temperature control to the normal point.
5. The thermostat could adjust the temperature inside the showcase. When you turn the knob in clockwise. The bigger the figure, the lower the temperature. Generally, the position of '4' is suitable. '0' position stand for stopping operation. 'Max' position will be operating not continually as compressor won't stop (no cycle). Turn the temperature control to the "4" or "5" when temperature inside is stable for ice cream and similar products.
6. Never store flammable, explosive or corrosive products in the freezer, and keep the freezer away from such materials.
7. If power is cut off, wait at least 5 minutes before turning on again to avoid damage to the compressor.
8. To save energy, the door should not be frequently opened for left open for a long time.
9. The surface and the inside of the showcase should be dry and clean. Long term moisture with cause the showcase rust slowly. (There will be some stains on the surface.)
10. Periodical cleaning is suggested for your reference. Generally, 30-45 days once is best. When cleaning, it is best to wipe the inside and the surface of the showcase with the soft cloth with neutral soap or detergent.

Attention: To ensure safety, the power plug must be pulled out before cleaning. All safety precautions must be followed. Dispose of properly in accordance with Federal or local regulations. Risk of fire or explosion due to puncture of refrigerant tubing. Follow handling instructions carefully.

DANGER: Risk of fire or explosion. Flammable refrigerant R290 used. To be repaired only by trained service personnel. Do not use mechanical devices to defrost refrigerator. Do not puncture refrigerant tubing.

FOOD STORAGE

- Do not fill the freezer full of products. You should leave space between items and the inner surface of the cabinet, so as to keep good ventilation of cold air and freeze evenly. Do not put in any bottled or canned beverage with freezing point above the temperature in the cabinet when it is below zero.
- For foods that should be moisture-free or lose water easily, wrap them up with hermetical food bags or fresh films before putting in the cabinet for the sake of avoiding smell-mixing and reducing frosting.
- Storage of volatile and combustible gases, liquids such as strong alkalies, strong acids, petrol, etc. is forbidden.
- Never put hot food directly in the freezer. Food should be cold or frozen before placing it inside.
- The cabinet is intended exclusively for the storage and/or display of packaged foods only.

RESIDENTIAL USERS: Vendor assumes no liability for parts or labor coverage for component failure or other damages resulting from installation in non-commercial or residential applications. The right is reserved to deny shipment for residential usage; if this occurs, you will be notified as soon as possible.

1 YEAR PARTS AND LABOUR WARRANTY



Safety and Warranty

Within the warranty period, contact Omcan Inc. at 1-800-465-0234 to schedule an Omcan authorized service technician to repair the equipment locally.

Unauthorized maintenance will void the warranty. Warranty covers electrical and part failures, not improper use.

Please see <https://omcan.com/disclaimer> for complete info.

WARNING:

The packaging components are classified as normal solid urban waste and can therefore be disposed of without difficulty.

In any case, for suitable recycling, we suggest disposing of the products separately (differentiated waste) according to the current norms.

DO NOT DISCARD ANY PACKAGING MATERIALS IN THE ENVIRONMENT!

Technical Specifications

Model	FR-CN-0142	FR-CN-0192	FR-CN-0282	FR-CN-0445	FR-CN-0600
Capacity	138.8 L / 4.9 cu. ft.	189.7 L / 6.7 cu. ft.	283.2 L / 10 cu. ft.	433.2 L / 15.3 cu. ft.	566.3 L / 20 cu. ft.
Power	1/6 HP		1/4 HP	1/3 HP	1/2 HP
Refrigerant	R600			R290	
Adjustable Thermostat	Mechanical				
Max Ambient Temp Rating	24°C / 75°F				
Temperature Range	-15°C to -22°C / 5°F to -8°F				
Electrical	115V / 60Hz / 1				
Current	1.4A		2.2A	2.8A	3.6A
Number of Doors	1			2	
Number of Baskets Included	1			2	
Maximum Basket Capacity	2	3	4	5	6
Defrost	Manual				
Foaming Component	Cyclopentane				
Dimensions	30" x 22.2" x 33.2" 754 x 564 x 845mm	37" x 22.2" x 33.2" 950 x 564 x 845mm	44" x 25 x 33.2" 1116 x 644 x 845mm	60" x 29" x 32.5" 1535 x 740 x 825mm	76" x 28" x 32.5" 1930 x 710 x 826mm
Packaging Dimensions	30.3" x 22.8" x 34.6" 770 x 580 x 880mm	38.6" x 22.8" x 34.6" 982 x 580 x 880mm	45" x 25.9" x 34.6" 1148 x 660 x 880mm	62" x 30" x 34" 1580 x 770 x 870mm	77.8" x 30.3" x 34.3" 1976 x 770 x 870mm
Weight	68 lbs. / 30.8 kgs.	77 lbs. / 35 kgs.	90 lbs. / 40.8 kgs.	139 lbs. / 63 kgs.	165 lbs. / 75 kgs.
Packaging Weight	75 lbs. / 34 kgs.	86 lbs. / 39 kgs.	101 lbs. / 45.8 kgs.	165 lbs. / 75 kgs.	209 lbs. / 94.8 kgs.
Item Number	46501	46502	46503	46504	46505

Maintenance

- The freezer should be cleaned regularly. When cleaning, turn off the power, take out the food in the cabinet, clean the inside using water or a little neutral detergent.
- Do not use boiling water, acid, chemical diluents, petrol and oil, or dirt-removing powder.
- Dry it after cleaning.
- Use light soap water when cleaning the door seal, apply a little of talcum powder on it after natural drying to extend its service life.
- Use soft cloth with water or a little detergent to clean the out surface. Note, keeping the power supply and lower part of connect wires away from water to avoid electricity leakage.
- Except common breakdowns, those who are not service technician should not take apart and repair the freezer on their own so as to avoid worsening the trouble. Unauthorized repair of electrical part such as compressor, temperature controller is forbidden.

Maintenance

DEFROSTING

- Defrost for better freezing efficiency when the frost film in the cabinet is 4-5mm thick.
- When defrosting, turn off the power, take out the frozen foods, open the door for warming and melting. Use a soft cloth to absorb water and clean it up.
- Do not use sharp metal tools such as steel brush to clean the frost film when defrosting so as to avoid evaporator damage.

Troubleshooting

Problem	Possible Cause	Solution
The indicator is not on. The compressor does not start.	The plug isn't fully connected to the socket.	Replug it.
	No power.	Connect the socket with power.
The indicator is on, but the compressor doesn't work and buzzes only.	The power voltage is <98V.	Put a power-regulator more than 1000W power together.
The compressor stops a minute after start, and restart after a few minutes, and so repeatedly.	The power voltage is >132V.	Put a power-regulator more than 1000W power together.
The compressor works normally, but the temperature in the cabinet lowers too slowly.	The door is opened too frequently.	Reduce open times.
	The food in the cabinet is too much, or placed improperly.	Place foods properly, keep space between them for ventilation of cold air.
	The frost film is too thick.	Take out foods and defrost.
	The surface of the condenser is too dirty.	Stop and clean the condenser.
	The door seals badly.	Adjust the door seal.
The noise is too loud.	The freezer is placed unstably.	Place it stably.
	The fixing of the freezer is loose.	Tighten the fixing.
	There's contact between pipes.	Separate them.

THE FOLLOWING ARE NOT FAULTS:

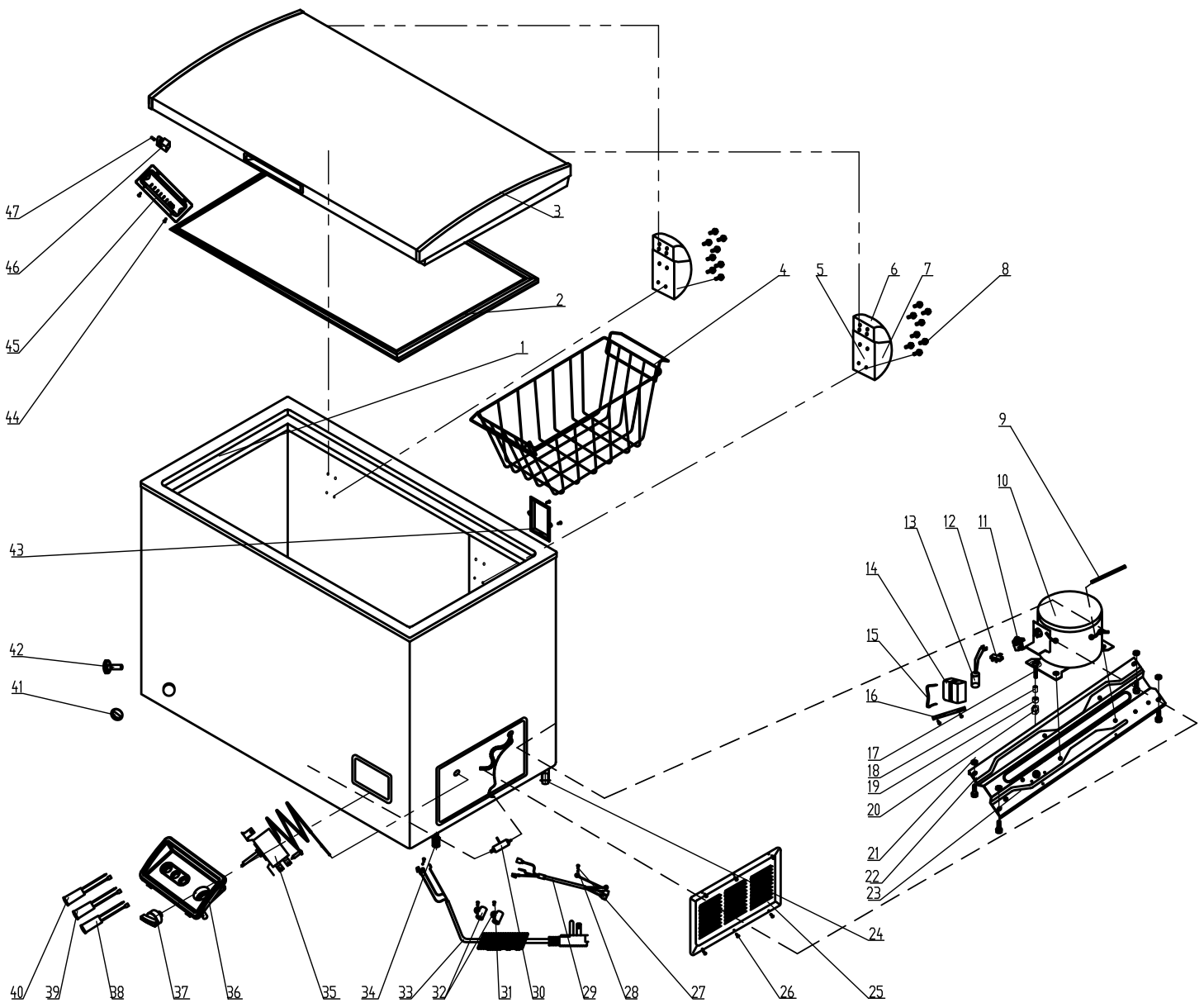
- When the freezer is working or after stopping for a while, the refrigerant in the pipes is cycling and gives out "running water" sounds.
- The surface temperature of the compressor may be up 70~80°C when it is working.
- The back side of step freezer gives out heat.
- In rainy season, the outer surface of the cabinet may have dew, which makes no defects on normal use. Just dry it with a piece of cloth.

Parts Breakdown

Model FR-CN-0142 46501

Model FR-CN-0192 46502

Model FR-CN-0282 46503



Parts Breakdown

Model FR-CN-0142 46501

Item No.	Description	Position	Item No.	Description	Position	Item No.	Description	Position
AE768	Cabinet for 46501	1	AE775	Compressor Pipe for 46501	9	AE783	Power Cable for 46501	33
AE769	Door Gasket for 46501	2	AE776	Compressor for 46501	10	AE784	Support Feet for 46501	34
AE770	Door for 46501	3	AE777	Capacitor Bracket for 46501	16	AE785	Thermostat for 46501	35
79826	Basket for 46501	4	AE778	Fixing Screw for 46501	17	AE786	Control Board for 46501	36
AE771	Door Hinge for 46501	5	AE779	Screw for 46501	20	AE787	Indicate Light Red for 46501	38
AE772	Hinge Upper Cover for 46501	6	AE780	Screw for 46501	21	AE788	Indicate Light Green for 46501	40
AE773	Hinge Bottom Cover for 46501	7	AE781	Rollers for 46501	24			
AE774	Screw for 46501	8	AE782	Filter for 46501	30			

Model FR-CN-0192 46502

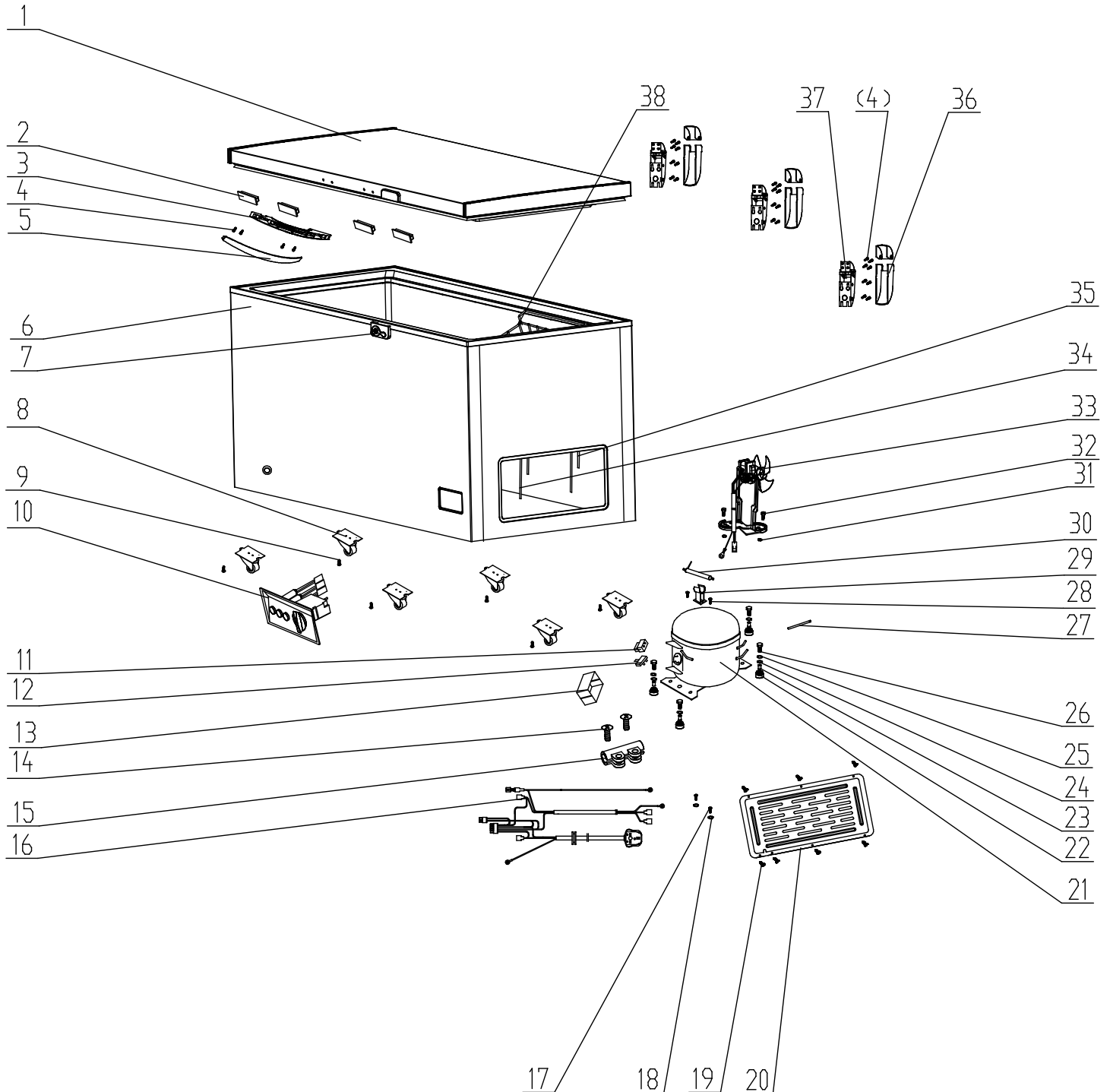
Item No.	Description	Position	Item No.	Description	Position	Item No.	Description	Position
AE789	Cabinet for 46502	1	AE796	Compressor Pipe for 46502	9	AE804	Power Cable for 46502	33
AE790	Door Gasket for 46502	2	AE797	Compressor for 46502	10	AE805	Support Feet for 46502	34
AE791	Door for 46502	3	AE798	Capacitor Bracket for 46502	16	AE806	Thermostat for 46502	35
79826	Basket for 46502	4	AE799	Fixing Screw for 46502	17	AE807	Control Board for 46502	36
AE792	Door Hinge for 46502	5	AE800	Screw for 46502	20	AE808	Indicate Light Red for 46502	38
AE793	Hinge Upper Cover for 46502	6	AE801	Screw for 46502	21	AE809	Indicate Light Green for 46502	40
AE794	Hinge Bottom Cover for 46502	7	AE802	Rollers for 46502	24			
AE795	Screw for 46502	8	AE803	Filter for 46502	30			

Model FR-CN-0282 46503

Item No.	Description	Position	Item No.	Description	Position	Item No.	Description	Position
AE810	Cabinet for 46503	1	AE818	Compressor Pipe for 46503	9	AE826	Power Cable for 46503	33
AE811	Door Gasket for 46503	2	AE819	Compressor for 46503	10	AE827	Support Feet for 46503	34
AE812	Door for 46503	3	AE820	Capacitor Bracket for 46503	16	AE828	Thermostat for 46503	35
AE813	Basket for 46503	4	AE821	Fixing Screw for 46503	17	AE829	Control Board for 46503	36
AE814	Door Hinge for 46503	5	AE822	Screw for 46503	20	AE830	Indicate Light Red for 46503	38
AE815	Hinge Upper Cover for 46503	6	AE823	Screw for 46503	21	AE831	Indicate Light Green for 46503	40
AE816	Hinge Bottom Cover for 46503	7	AE824	Rollers for 46503	24			
AE817	Screw for 46503	8	AE825	Filter for 46503	30			

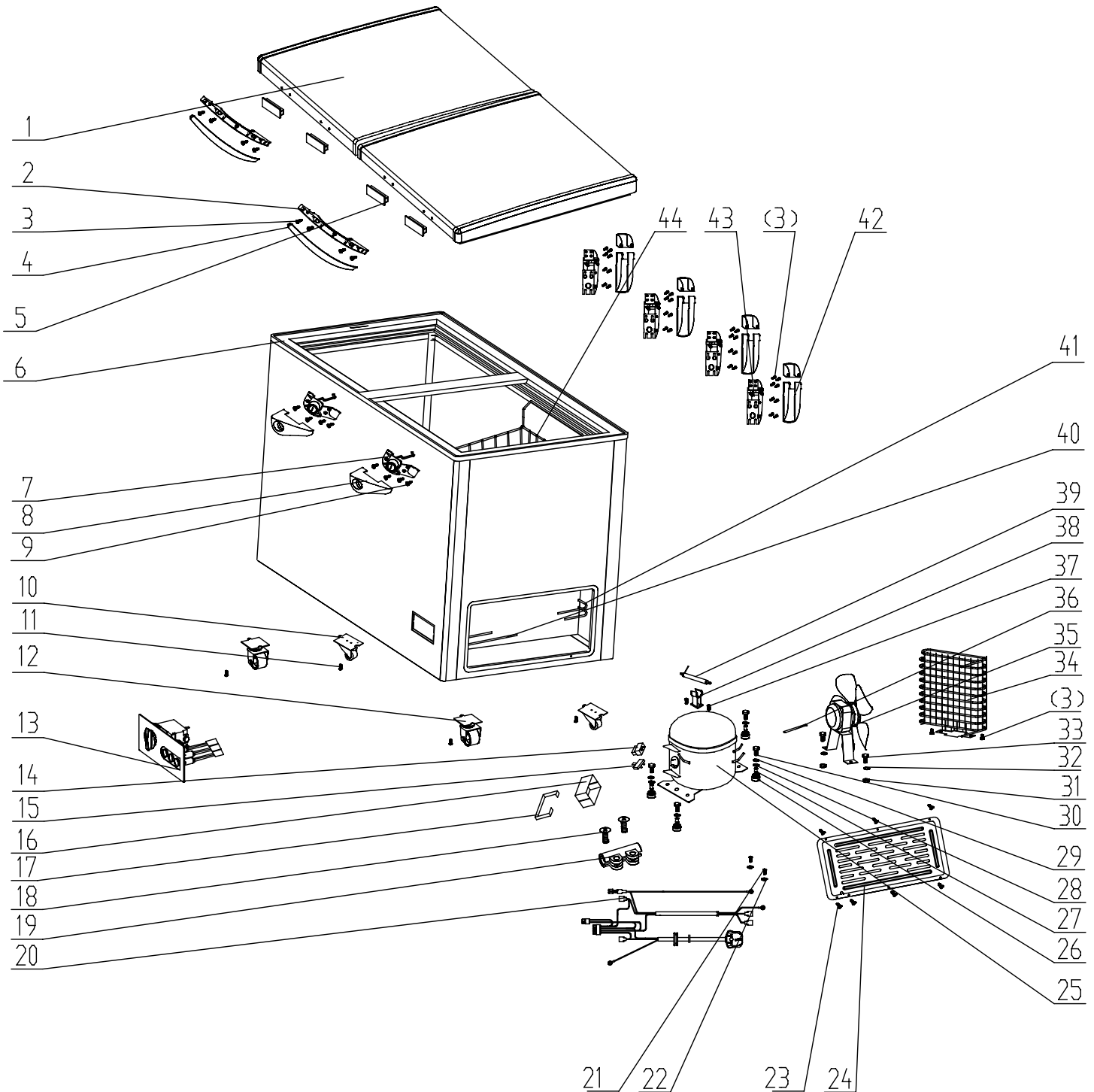
Parts Breakdown

Model FR-CN-0445 46504



Parts Breakdown

Model FR-CN-0600 46505



Parts Breakdown

Model FR-CN-0445 46504

Item No.	Description	Position	Item No.	Description	Position	Item No.	Description	Position
AE832	Door for 46504	1	AE838	Screw for 46504	9	AE845	Compressor for 46504	21
AE833	Door Gasket for 46504	1	AE839	Control Board for 46504	10	AE846	Filter for 46504	30
AE834	Outer Handle for 46504	3 - 5	AE840	Indicate Light Red for 46504	10	AE847	Hinge Cover for 46504	33
AE835	Cabinet for 46504	6	AE841	Indicate Light Green for 46504	10	AE848	Door Hinge for 46504	34
AE836	Lock for 46504	7	AE842	Thermostat for 46504	10	AE154	Basket for 46504	35
AE858	Casters without Brake for 46504	8	AE843	Power Cable for 46504	16	AE849	Fan for 46504	
AF811	Casters with Brake for 46504	8	AE844	Compressor Room Cover for 46504	20			

Model FR-CN-0600 46505

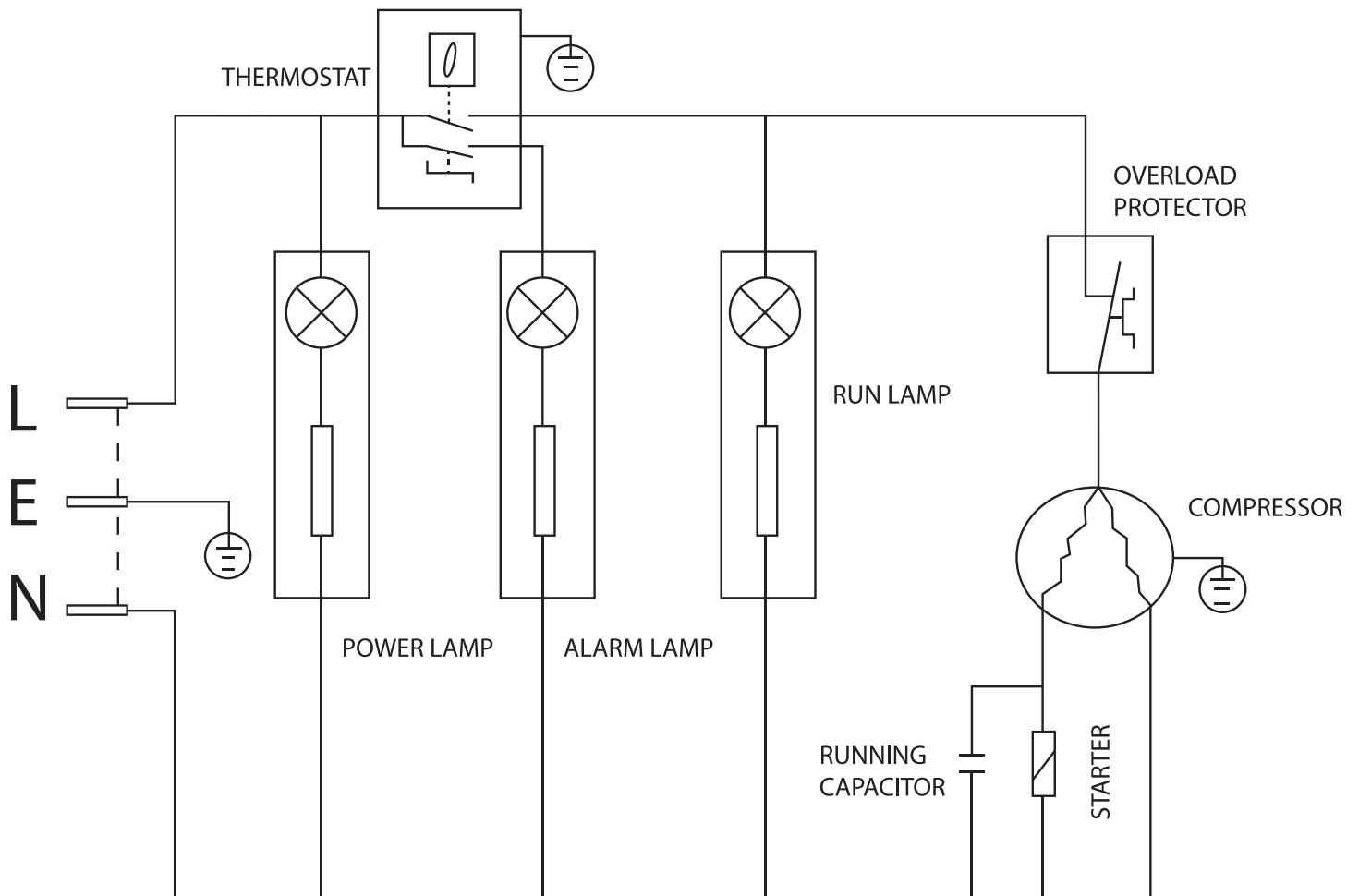
Item No.	Description	Position	Item No.	Description	Position	Item No.	Description	Position
AE850	Door for 46505	1	AF811	Casters with Brake for 46505	12	AE867	Fan for 46505	35
AE851	Handle for 46505	2	AE859	Control Board for 46505	13	AE868	Filter for 46505	39
AE852	Screws for 46505	3	AE860	Indicate Light Red for 46505	13	AE869	Front Inside Condenser for 46505	40
AE853	Handle Cover for 46505	4	AE861	Indicate Light Green for 46505	13	AE870	Back Inside Condenser for 46505	41
AE854	Cabinet for 46505	6	AE862	Thermostat for 46505	13	AE871	Door Hinge Cover for 46505	42
AE855	Lock for 46505	7	AE863	Power Cable for 46505	20	AE872	Door Hinge for 46505	43
AE856	Lock Cover for 46505	8	AE864	Compressor Room Cover for 46505	24	AE873	Basket for 46505	44
AE857	Bolt for 46505	9	AE865	Compressor for 46505	25			
AE858	Casters without Brake for 46505	10	AE866	Wire Condenser for 46505	34			

Electrical Schematics

Model FR-CN-0142 46501

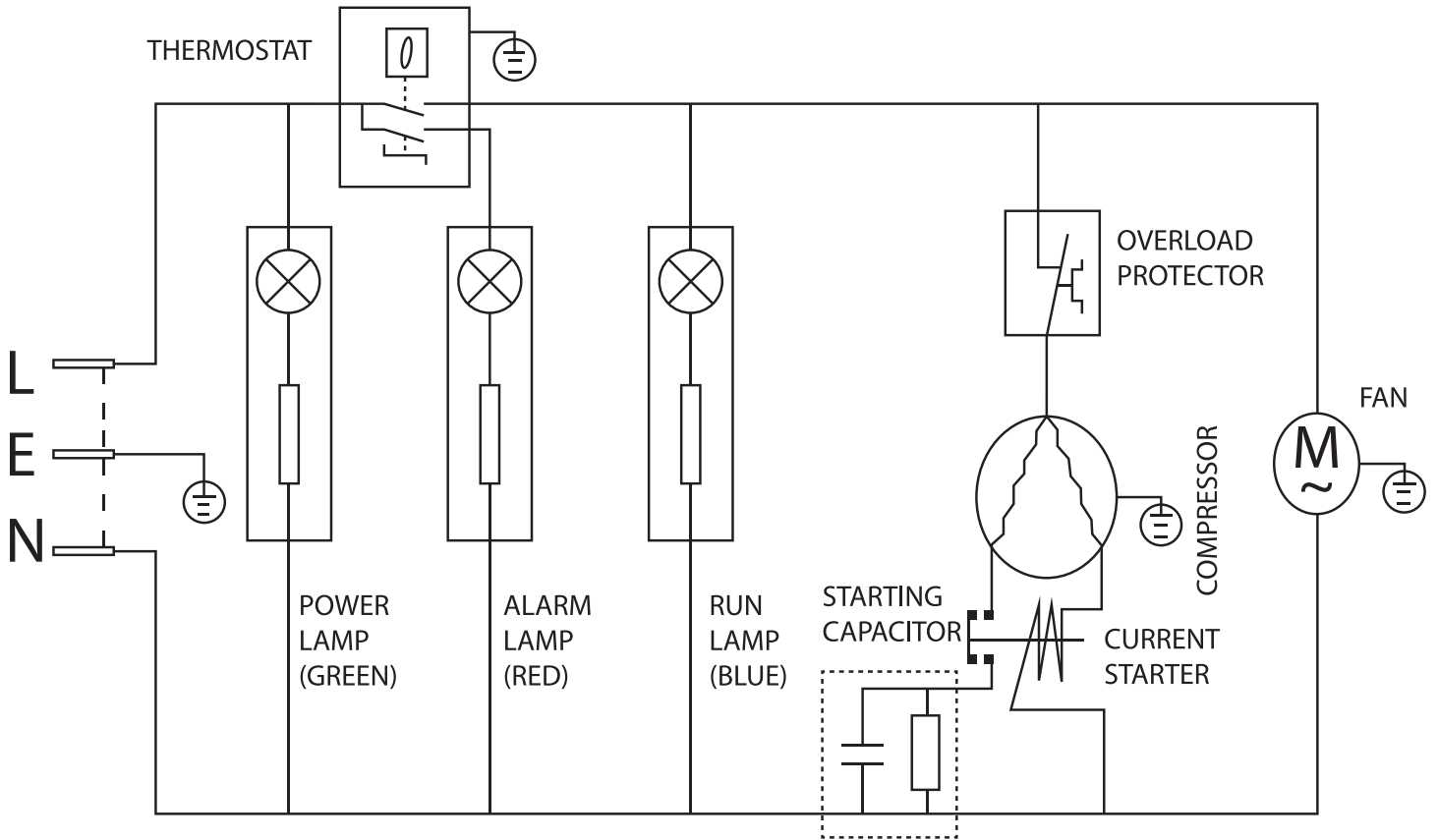
Model FR-CN-0192 46502

Model FR-CN-0282 46503



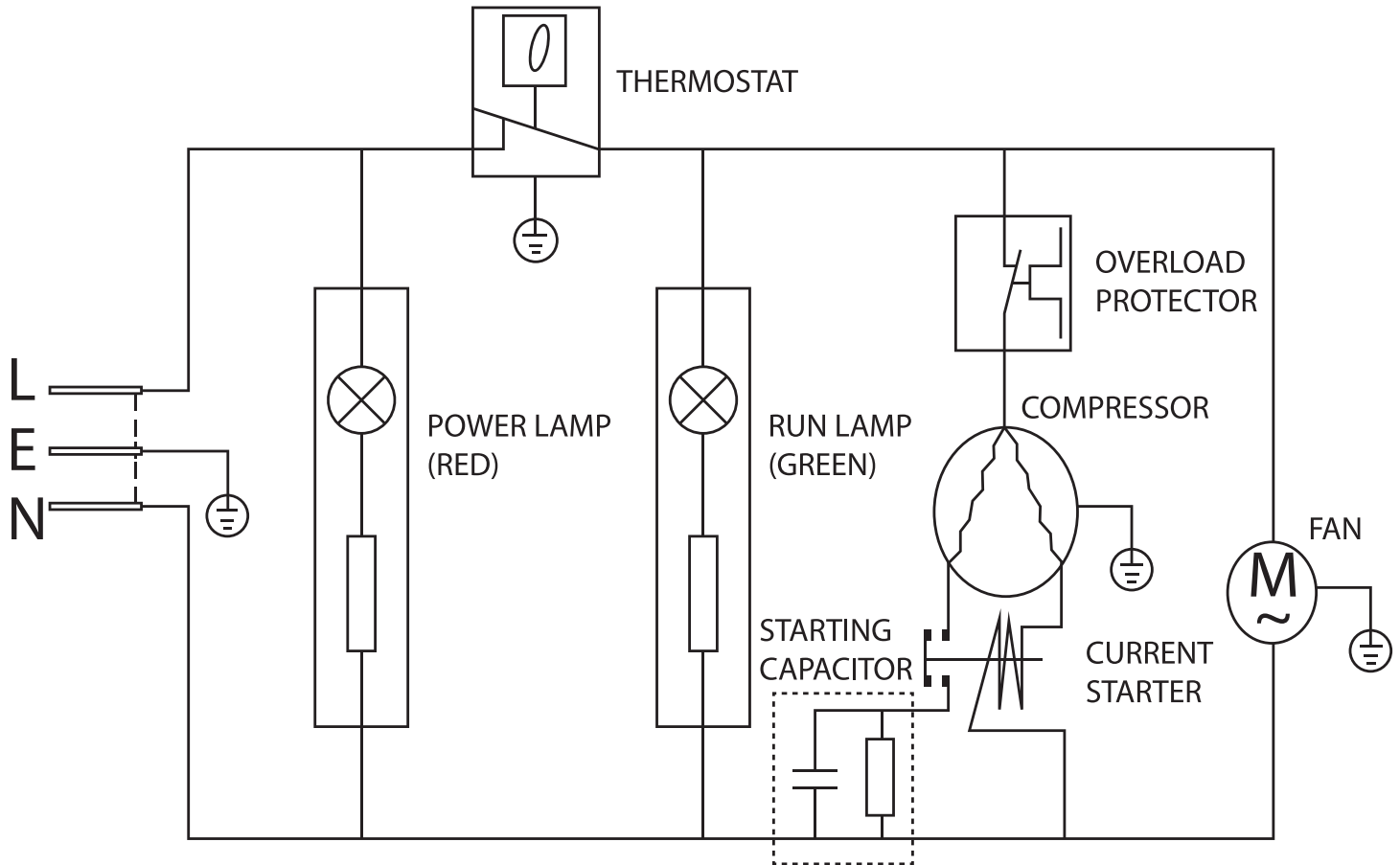
Electrical Schematics

Model **FR-CN-0445** 46504



Electrical Schematics

Model FR-CN-0600 46505



Notes



Warranty Registration

Thank you for purchasing an Omcan product. To register your warranty for this product, complete the information below, tear off the card at the perforation and then send to the address specified below. You can also register online by visiting:

Merci d'avoir acheté un produit Omcan. Pour enregistrer votre garantie pour ce produit, complétez les informations ci-dessous, détachez la carte au niveau de la perforation, puis l'envoyer à l'adresse spécifiée ci-dessous. Vous pouvez également vous inscrire en ligne en visitant:

Gracias por comprar un producto Omcan usted. Para registrar su garantía para este producto, complete la información a continuación, cortar la tarjeta en la perforación y luego enviarlo a la dirección indicada a continuación. También puede registrarse en línea en:

<https://omcan.com/warranty-registration/>

For mailing in Canada

Pour postale au Canada

Por correo en Canadá

OMCAN

PRODUCT WARRANTY REGISTRATION

3115 Pepper Mill Court,

Mississauga, Ontario

Canada, L5L 4X5

For mailing in the US

Pour diffusion aux États-Unis

Por correo en los EE.UU.

OMCAN

PRODUCT WARRANTY REGISTRATION

4450 Witmer Industrial Estates, Unit 4,

Niagara Falls, New York

USA, 14305

or email to: service@omcan.com



Purchaser's Information

Name: _____

Address: _____

City: _____ Province or State: _____ Postal or Zip: _____

Country: _____

Dealer from which Purchased: _____

Dealer City: _____ Dealer Province or State: _____

Invoice: _____

Model Name: _____ Model Number: _____

Machine Description: _____

Date of Purchase (MM/DD/YYYY): _____

Would you like to extend the warranty? Yes No

Company Name: _____

Telephone: _____

Email Address: _____

Type of Company:

Restaurant Bakery Deli

Butcher Supermarket Caterer

Institution (specify): _____

Other (specify): _____

Serial Number: _____

Date of Installation (MM/DD/YYYY): _____

Thank you for choosing Omcan | Merci d'avoir choisi Omcan | Gracias por elegir Omcan



Since 1951 Omcan has grown to become a leading distributor of equipment and supplies to the North American food service industry. Our success over these many years can be attributed to our commitment to strengthen and develop new and existing relationships with our valued customers and manufacturers. Today with partners in North America, Europe, Asia and South America, we continually work to improve and grow the company. We strive to offer customers exceptional value through our qualified local sales and service representatives who provide convenient access to over 6,500 globally sourced products.

Depuis 1951 Omcan a grandi pour devenir un des “leaders” de la distribution des équipements et matériel pour l’industrie des services alimentaires en Amérique du Nord. Notre succès au cours de ces nombreuses années peut être attribué à notre engagement à renforcer et à développer de nouvelles et existantes relations avec nos clients et les fabricants de valeur. Aujourd’hui avec des partenaires en Amérique du Nord, Europe, Asie et Amérique du Sud, nous travaillons continuellement à améliorer et développer l’entreprise. Nous nous efforçons d’offrir à nos clients une valeur exceptionnelle grâce à nos ventes locales qualifiées et des représentants de service qui offrent un accès facile à plus de 6500 produits provenant du monde entier.

Desde 1951 Omcan ha crecido hasta convertirse en un líder en la distribución de equipos y suministros de alimentos en América del Norte industria de servicios. Nuestro éxito en estos años se puede atribuir a nuestro compromiso de fortalecer y desarrollar nuevas relaciones existentes con nuestros valiosos clientes y fabricantes. Hoy con socios de América del Norte, Europa, Asia y América del Sur, que trabajan continuamente para mejorar y crecer la empresa. Nos esforzamos por ofrecer a nuestros clientes valor excepcional a través de nuestro local de ventas y representantes de los servicios que proporcionan un fácil acceso a más de 6,500 productos con origen a nivel mundial.

