



IMPORTANT NOTE:

Locate the Specification Label on unit to determine exact Model Name and electrical specifications. This information is needed to identify the correct replacement parts. See exploded view illustration(s) for Specification Label location.

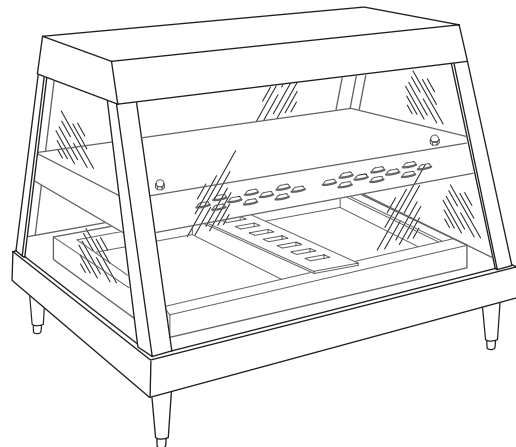
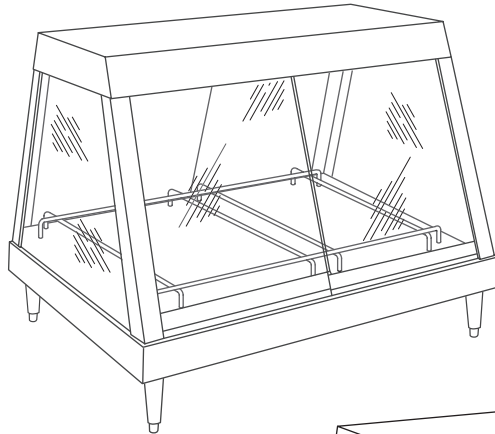


Use of replacement parts other than those supplied by Hatco Corporation will void all warranties and may result in damage to the unit or injury to personnel.

Glo-Ray® Heated Display Cases

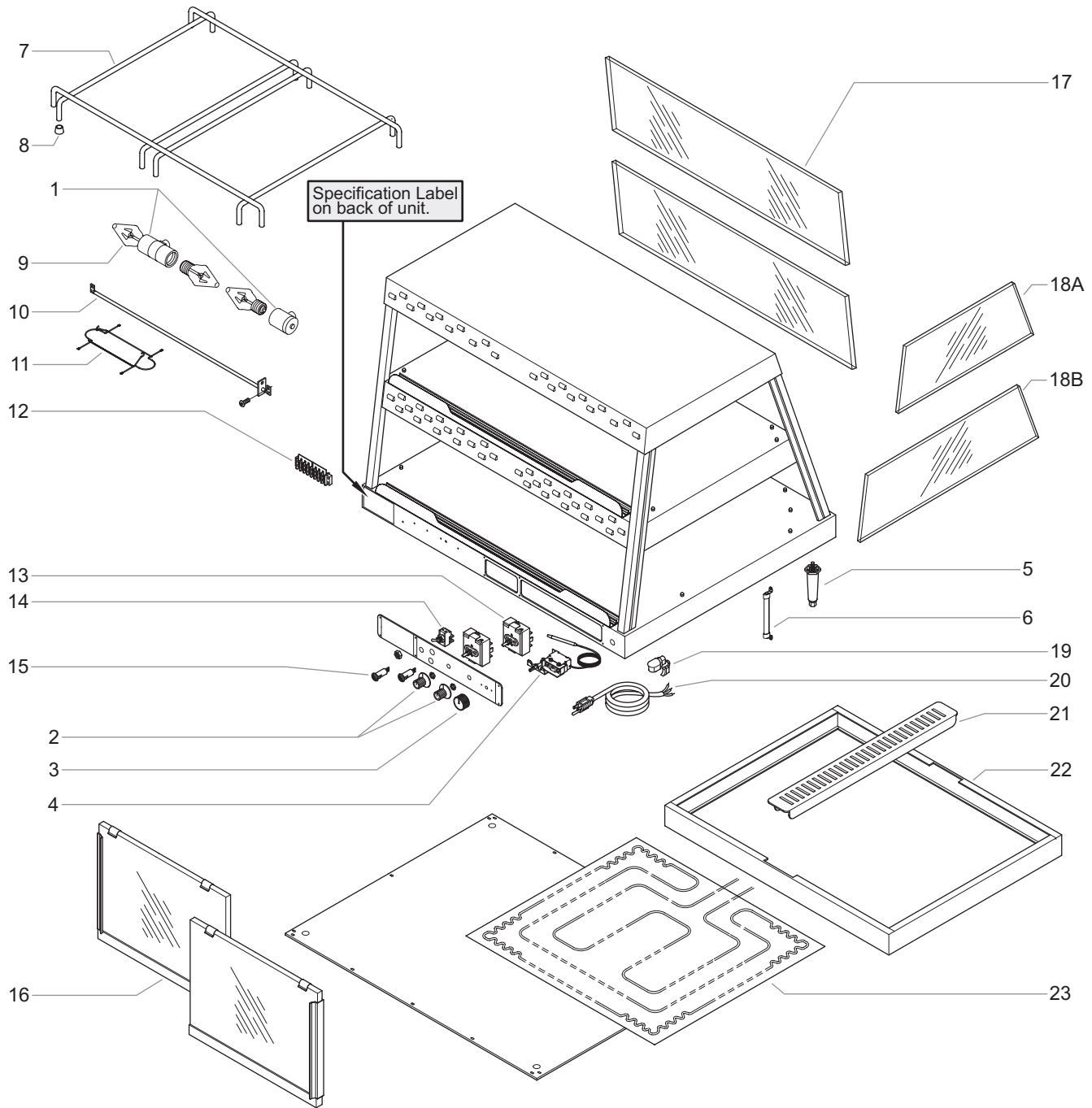
GRHD Series

<u>Model Name</u>	<u>Page</u>
GRHD Series.....	2-8
GRHDH Series.....	9-15



Replacement Parts List

Hatco Glo-Ray® Heated Display Cases GRHD Series



Parts Common to All GRHD Models

Item	Description	Part Number	Qty.
1	Light Socket		
	Single	02.30.044.00	0-8
	Dual	02.30.045.00	0-2
2	Knob, Infinite Switch	05.30.043.00	1-3
3	Knob, Thermostat	05.30.018.00	1

Item	Description	Part Number	Qty.
4	Thermostat, Base	02.16.030.00	1
5	Leg, 4" (102 mm)	05.30.007.00	4
6	Thermometer	02.16.143.00	1-2

NOTE: Quantities shown as a range (example = "1-3") are dependent upon the number of shelves, the length of the unit, and/or if the unit is humidified.

Parts Specific to Model GRHD-2P

Item	Description	Part Number	Qty.
7	Pan Rail	R04.22.030.00	1
8	Rubber Foot, Pan Rail	05.06.039.00	12
9	Light Bulb		
	120 V	02.30.265.00	4
	220, 240, 220-230, 230-240 V	02.30.266.00	4
10	Heating Element, Upper		
	120 V	R02.08.026D.00	1
	220, 220-230 V	R02.08.042E.00	1
	240, 230-240 V	R02.08.028E.00	1
11	Wire Guard	04.37.100.00	2
12	Terminal Block, 3-Pole	R02.15.030.00	1
13	Infinite Control Switch		
	120 V	R02.19.018.00	1
	220, 240, 220-230, 230-240 V	R02.19.019.00	1
14	On/Off Switch	R02.19.008A.00	1
15	Indicator Light		
	Red		
	120 V	02.19.154.00	1
	220, 240 V	02.19.151.00	1
	Green		
	220-230, 230-240 V	02.19.150.00	1

The shaded areas contain part information for **International models only**.

** Use one of the following suffixes for the appropriate painted part:

“.01” = Black	“.07” = Hunter Green
“.03” = Warm Red	“.12” = Glossy Gray
“.04” = White Granite	“.21” = Antique Copper
“.05” = Navy Blue	

Item	Description	Part Number	Qty.
16	Glass Door, Non-Mirrored		
	Inner, Left Hand	R00.01.0002.00	1
	Outer, Right Hand	R00.01.0001.00	1
	Glass Door, Inner, Mirrored		
	Inner, Left Hand	R00.01.0014.00	1
	Outer, Right Hand	R00.01.0013.00	1
	Flip-Up Door **	R00.02.0353.xx	1
17	Glass, Front	04.40.064.00	1
18A	End Glass	04.40.065.00	2
18B	End Glass	N/A	
19	Strain Relief		
	120 V	02.20.226.00	1
	220, 240, 220-230, 230-240 V	02.20.212.00	1
20	Power Cord w/ Plug		
	120 V, NEMA 5-15P	R02.18.030.00	1
	220 V, BS-1363	02.18.068.00	1
	220, 220-230 V, CEE 7/7 Schuko	02.18.077.00	1
	240, 220-230, 230-240 V, BS-1363	02.18.066.00	1
	240 V, AS 3112	02.18.207.00	1
21	Pan Divider (optional)	04.22.400.00	1
22	Pan Enclosure, 2 Pan (optional)	04.22.406.00	1
23	Heating Element, Base		
	120 V	02.05.293.00	2
	220, 220-230 V	02.05.144.00	1
	240, 230-240 V	02.05.294.00	2
	Wiring Diagram		
	120, 220, 240 V	10-01-274	
	220-230, 230-240 V	10-01-275	

Parts Specific to Model GRHD-2PD

Item	Description	Part Number	Qty.
7	Pan Rail	R04.22.030.00	1
8	Rubber Foot, Pan Rail	05.06.039.00	12
9	Light Bulb		
	120 V	02.30.265.00	6
	220, 240, 220-230, 230-240 V	02.30.266.00	6
10	Heating Element, Upper		
	120 V	R02.08.202D.00	1
	220, 220-230 V	R02.08.250E.00	1
	240, 230-240 V	R02.08.251E.00	1
11	Wire Guard	04.37.100.00	2
12	Terminal Block, 3-Pole	R02.15.030.00	1
13	Infinite Control Switch		
	120 V	R02.19.018.00	1
	220, 240, 220-230, 230-240 V	R02.19.019.00	1
14	On/Off Switch	R02.19.008A.00	1
15	Indicator Light		
	Red		
	120 V	02.19.154.00	2
	220, 240 V	02.19.151.00	2
	Green		
	220-230, 230-240 V	02.19.150.00	2

The shaded areas contain part information for **International models only**.

** Use one of the following suffixes for the appropriate painted part:

“.01” = Black	“.07” = Hunter Green
“.03” = Warm Red	“.12” = Glossy Gray
“.04” = White Granite	“.21” = Antique Copper
“.05” = Navy Blue	

Item	Description	Part Number	Qty.
16	Glass Door, Non-Mirrored		
	Inner, Left Hand	R00.01.0008.00	1
	Outer, Right Hand	R00.01.0007.00	1
	Glass Door, Inner, Mirrored		
	Inner, Left Hand	R00.01.0020.00	1
	Outer, Right Hand	R00.01.0019.00	1
	Flip-Up Door **	R00.02.0356.xx	1
17	Glass, Front	04.40.068.00	2
18A	End Glass	04.40.069.00	2
18B	End Glass	04.40.070.00	2
19	Strain Relief		
	120 V	02.20.226.00	1
	220, 240, 220-230, 230-240 V	02.20.212.00	1
20	Power Cord w/ Plug		
	120 V, NEMA 5-15P	R02.18.030.00	1
	220 V, BS-1363	02.18.068.00	1
	220, 220-230 V, CEE 7/7 Schuko	02.18.077.00	1
	240, 220-230, 230-240 V, BS-1363	02.18.066.00	1
	240 V, AS 3112	02.18.207.00	1
21	Pan Divider (optional)	04.22.400.00	1
22	Pan Enclosure, 2 Pan (optional)	04.22.406.00	1
23	Heating Element, Base		
	120 V	02.05.293.00	2
	220, 220-230 V	02.05.138.00	1
	240, 230-240 V	02.05.294.00	2
	Wiring Diagram		
	120, 220, 240 V	10-01-273	
	220-230, 230-240 V	10-01-276	

NOTE: The last four digits in a ten digit numerical serial number are the manufacturing date code.

Example: Serial number 9625061531 has a date code of “1531” which indicates the following: 1531

└─ Week Thirty-One
└─ Year 2015

Please note also, prior to January 2001 the serial number date code indicated the month of manufacture.

Example: XXXXXX0007

└─ Month Seven
└─ Year 2000

Parts Specific to Model GRHD-3P

Item	Description	Part Number	Qty.
7	Pan Rail	R04.22.031.00	1
8	Rubber Foot, Pan Rail	05.06.039.00	16
9	Light Bulb		
	120 V	02.30.265.00	5
	220, 240, 220-230, 230-240 V	02.30.266.00	5
10	Heating Element, Upper		
	120 V	R02.08.007D.00	1
	220, 220-230 V	R02.08.039E.00	1
	240, 230-240 V	R02.08.009E.00	1
11	Wire Guard	04.37.100.00	2
12	Terminal Block, 3-Pole	R02.15.030.00	1
13	Infinite Control Switch		
	120 V	R02.19.018.00	1
	220, 240, 220-230, 230-240 V	R02.19.019.00	1
14	On/Off Switch	R02.19.008A.00	1
15	Indicator Light		
	Red		
	120 V	02.19.154.00	1
	220, 240 V	02.19.151.00	1
	Green		
	220-230, 230-240 V	02.19.150.00	1

The shaded areas contain part information for **International models only**.

* Not Shown.

** Use one of the following suffixes for the appropriate painted part:

“.01” = Black	“.07” = Hunter Green
“.03” = Warm Red	“.12” = Glossy Gray
“.04” = White Granite	“.21” = Antique Copper
“.05” = Navy Blue	

Item	Description	Part Number	Qty.
16	Glass Door, Non-Mirrored		
	Inner, Left Hand	R00.01.0004.00	1
	Outer, Right Hand	R00.01.0003.00	1
	Glass Door, Inner, Mirrored		
	Inner, Left Hand	R00.01.0016.00	1
	Outer, Right Hand	R00.01.0015.00	1
	Flip-Up Door **	R00.02.0354.xx	1
17	Glass, Front	04.40.066.00	1
18A	End Glass	04.40.065.00	2
18B	End Glass	N/A	
19	Strain Relief		
	120 V	02.20.226.00	1
	220, 240, 220-230, 230-240 V	02.20.212.00	1
20	Power Cord w/ Plug		
	120 V, NEMA 5-15P	R02.18.030.00	1
	220 V, BS-1363	02.18.068.00	1
	220, 220-230 V, CEE 7/7 Schuko	02.18.077.00	1
	240, 220-230, 230-240 V, BS-1363	02.18.066.00	1
	240 V, AS 3112	02.18.207.00	1
21	Pan Divider (optional)	04.22.400.00	1
22	Pan Enclosure, 2 Pan (optional)	04.22.406.00	1
	Pan Enclosure, 1 Pan (optional) *	04.22.407.00	1
23	Heating Element, Base		
	120 V	02.05.293.00	3
	220, 220-230 V	02.05.138.00	1
		02.05.142.00	1
	240, 230-240 V	02.05.294.00	3
	Wiring Diagram		
	120, 220, 240 V	10-01-274	
	220-230, 230-240 V	10-01-275	

Parts Specific to Model GRHD-3PD

Item	Description	Part Number	Qty.
7	Pan Rail	R04.22.031.00	1
8	Rubber Foot, Pan Rail	05.06.039.00	16
9	Light Bulb		
	120 V	02.30.265.00	8
	220, 240, 220-230, 230-240 V	02.30.266.00	8
10	Heating Element, Upper		
	120 V	R02.08.216D.00	2
	220, 220-230 V	R02.08.253E.00	2
	240, 230-240 V	R02.08.254E.00	2
11	Wire Guard	04.37.100.00	6
12	Terminal Block, 3-Pole	R02.15.030.00	1
13	Infinite Control Switch		
	120 V	R02.19.018.00	1
	220, 240, 220-230, 230-240 V	R02.19.019.00	1
14	On/Off Switch	R02.19.008A.00	1
15	Indicator Light		
	Red		
	120 V	02.19.154.00	2
	220, 240 V	02.19.151.00	2
	Green		
	220-230, 230-240 V	02.19.150.00	2

Item	Description	Part Number	Qty.
16	Glass Door, Non-Mirrored		
	Inner, Left Hand	R00.01.0010.00	1
	Outer, Right Hand	R00.01.0009.00	1
	Glass Door, Inner, Mirrored		
	Inner, Left Hand	R00.01.0022.00	1
	Outer, Right Hand	R00.01.0021.00	1
	Flip-Up Door **	R00.02.0357.xx	1
17	Glass, Front	04.40.071.00	2
18A	End Glass	04.40.069.00	2
18B	End Glass	04.40.070.00	2
19	Strain Relief		
	120 V	02.20.226.00	1
	220, 240, 220-230, 230-240 V	02.20.212.00	1
20	Power Cord w/ Plug		
	120 V, NEMA 5-15P †	R02.18.154.00	1
	220, 240, 220-230, 230-240 V, BS-1363	02.18.068.00	1
	220, 220-230 V, CEE 7/7 Schuko	02.18.077.00	1
	240 V, AS 3112	02.18.207.00	1
21	Pan Divider (optional)	04.22.400.00	1
22	Pan Enclosure, 2 Pan (optional)	04.22.406.00	1
	Pan Enclosure, 1 Pan (optional) *	04.22.407.00	1
23	Heating Element, Base		
	120 V	02.05.293.00	3
	220, 220-230 V	02.05.137.00	2
	240, 230-240 V	02.05.294.00	3
	Wiring Diagram		
	120, 220, 240 V	10-01-273	
	220-230, 230-240 V	10-01-276	

The shaded areas contain part information for **International models only**.

† Canadian 120 V units use Power Cord w/Plug P/N 02.18.089.00 (NEMA 5-20P).

* Not Shown.

** Use one of the following suffixes for the appropriate painted part:

“.01” = Black	“.07” = Hunter Green
“.03” = Warm Red	“.12” = Glossy Gray
“.04” = White Granite	“.21” = Antique Copper
“.05” = Navy Blue	

NOTE: The last four digits in a ten digit numerical serial number are the manufacturing date code.

Example: Serial number 9625061531 has a date code of “1531” which indicates the following: 1531

└─ Week Thirty-One
└─ Year 2015

Please note also, prior to January 2001 the serial number date code indicated the month of manufacture.

Example: XXXXXX0007

└─ Month Seven
└─ Year 2000

Parts Specific to Model GRHD-4P

Item	Description	Part Number	Qty.
7	Pan Rail	R04.22.032.00	1
8	Rubber Foot, Pan Rail	05.06.039.00	20
9	Light Bulb		
	120, 120/208, 120/240 V	02.30.265.00	6
	220, 240, 220-230, 230-240 V	02.30.266.00	6
10	Heating Element, Upper		
	120, 120/208, 120/240 V	R02.08.025D.00	1
	220, 220-230 V	R02.08.046E.00	1
	240, 230-240 V	R02.08.030E.00	1
11	Wire Guard	04.37.100.00	4
12	Terminal Block, 3-Pole	R02.15.030.00	1
13	Infinite Control Switch		
	120, 120/208, 120/240 V	R02.19.018.00	1
	220, 240, 220-230, 230-240 V	R02.19.019.00	1
14	On/Off Switch	R02.19.008A.00	1
15	Indicator Light		
	Red		
	120, 120/208, 120/240 V	02.19.154.00	1
	220, 240 V	02.19.151.00	1
	Green		
	220-230, 230-240 V	02.19.150.00	1

The shaded areas contain part information for **International models only**.

** Use one of the following suffixes for the appropriate painted part:

“.01” = Black	“.07” = Hunter Green
“.03” = Warm Red	“.12” = Glossy Gray
“.04” = White Granite	“.21” = Antique Copper
“.05” = Navy Blue	

Item	Description	Part Number	Qty.
16	Glass Door, Non-Mirrored		
	Inner, Left Hand	R00.01.0006.00	1
	Outer, Right Hand	R00.01.0005.00	1
	Glass Door, Inner, Mirrored		
	Inner, Left Hand	R00.01.0018.00	1
	Outer, Right Hand	R00.01.0017.00	1
	Flip-Up Door **	R00.02.0355.xx	1
17	Glass, Front	04.40.067.00	2
18A	End Glass	04.40.065.00	2
18B	End Glass	N/A	
19	Strain Relief		
	120 V	02.20.226.00	1
	120/208, 120/240 V	R02.20.440.00	1
	220, 240, 220-230, 230-240 V	02.20.212.00	1
20	Power Cord w/ Plug		
	120 V, NEMA 5-15P	R02.18.154.00	1
	120/208, 120/240 V, NEMA L14-20P	02.18.128.00	1
	220, 220-230 V, CEE 7/7 Schuko	02.18.077.00	1
	220, 240, 220-230, 230-240 V, BS-1363	02.18.068.00	1
	240 V, AS 3112	02.18.207.00	1
21	Pan Divider (optional)	04.22.400.00	1
22	Pan Enclosure, 2 Pan (optional)	04.22.406.00	1
23	Heating Element, Base		
	120, 120/208, 120/240 V	02.05.293.00	4
	220, 220-230 V	02.05.138.00	1
		02.05.144.00	1
	240, 230-240 V	02.05.294.00	4
	Wiring Diagram		
	120, 220, 240 V	10-01-274	
	120/208, 120/240 V	HS2-641	
	220-230, 230-240 V	10-01-275	

Parts Specific to Model GRHD-4PD

Item	Description	Part Number	Qty.
7	Pan Rail	R04.22.032.00	1
8	Rubber Foot, Pan Rail	05.06.039.00	20
9	Light Bulb		
	120, 120/208, 120/240 V	02.30.265.00	8
	220, 240, 220-230, 230-240 V	02.30.266.00	8
10	Heating Element, Upper		
	120, 120/208, 120/240 V	R02.08.206D.00	2
	220, 220-230 V	R02.08.256E.00	2
	240, 230-240 V	R02.08.257E.00	2
11	Wire Guard	04.37.100.00	8
12	Terminal Block, 3-Pole	R02.15.030.00	1
13	Infinite Control Switch		
	120, 120/208, 120/240 V	R02.19.018.00	2
	220, 240, 220-230, 230-240 V	R02.19.019.00	2
14	On/Off Switch	R02.19.008A.00	1
15	Indicator Light		
	Red		
	120, 120/208, 120/240 V	02.19.154.00	2
	220, 240 V	02.19.151.00	2
	Green		
	220-230, 230-240 V	02.19.150.00	2

The shaded areas contain part information for **International models only**.

* Not Shown.

** Use one of the following suffixes for the appropriate painted part:

“.01” = Black	“.07” = Hunter Green
“.03” = Warm Red	“.12” = Glossy Gray
“.04” = White Granite	“.21” = Antique Copper
“.05” = Navy Blue	

Item	Description	Part Number	Qty.
16	Glass Door, Non-Mirrored		
	Inner, Left Hand	R00.01.0012.00	1
	Outer, Right Hand	R00.01.0011.00	1
	Glass Door, Inner, Mirrored		
	Inner, Left Hand	R00.01.0024.00	1
	Outer, Right Hand	R00.01.0023.00	1
	Flip-Up Door **	R00.02.0358.xx	1
17	Glass, Front	04.40.072.00	2
18A	End Glass	04.40.069.00	2
18B	End Glass	04.40.070.00	2
19	Strain Relief		
	120 V	02.20.356.00	1
	120/208, 120/240 V	R02.20.440.00	1
	220, 240, 220-230, 230-240 V	02.20.212.00	1
20	Power Cord w/ Plug		
	120 V, NEMA 5-30P	02.18.039.00	1
	120/208, 120/240 V, NEMA L14-20P	02.18.128.00	1
	220, 220-230 V, CEE 7/7 Schuko	02.18.038.00	1
	220, 240, 220-230, 230-240 V, BS-1363	02.18.068.00	1
	240 V, AS 3112	02.18.105.00	1
21	Pan Divider (optional)	04.22.400.00	1
22	Pan Enclosure, 2 Pan (optional)	04.22.406.00	1
	Pan Enclosure, 1 Pan (optional) *	04.22.407.00	1
23	Heating Element, Base		
	120, 120/208, 120/240 V	02.05.293.00	4
	220, 220-230 V	02.05.144.00	1
	240, 230-240 V	02.05.294.00	4
	Wiring Diagram		
	120 V	10-01-1060	
	120/208, 120/240 V	HS2-767	
	220, 240 V	10-01-273	
	220-230, 230-240 V	10-01-276	

NOTE: The last four digits in a ten digit numerical serial number are the manufacturing date code.

Example: Serial number 9625061531 has a date code of “1531” which indicates the following: 1531

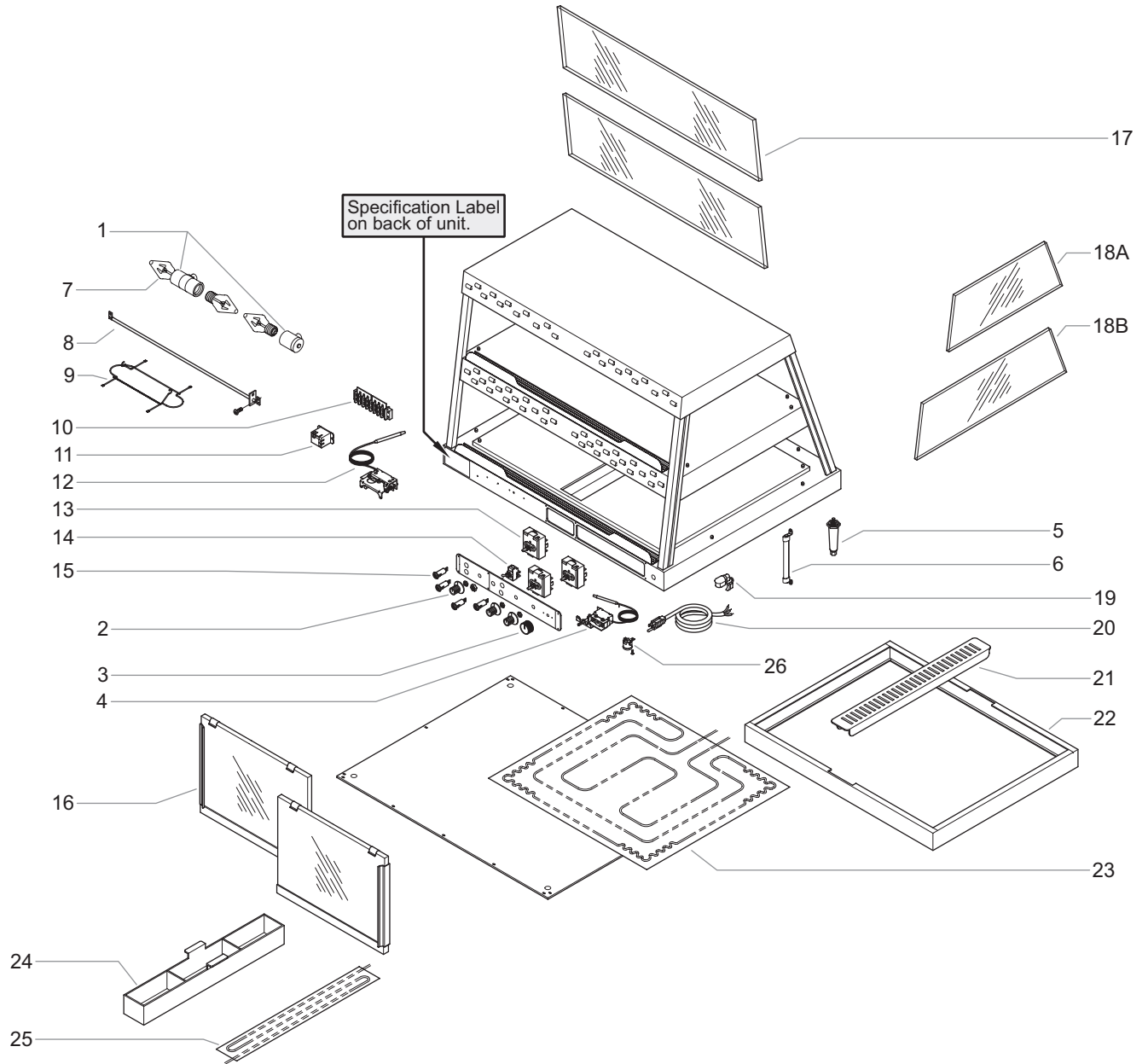
└─ Week Thirty-One
└─ Year 2015

Please note also, prior to January 2001 the serial number date code indicated the month of manufacture.

Example: XXXXXX0007

└─ Month Seven
└─ Year 2000

Hatco Glo-Ray® Heated Humidified Display Cases GRHDH Series



Parts Common to All GRHDH Models

Item	Description	Part Number	Qty.
1	Light Socket Single	02.30.044.00	0-8
	Dual	02.30.045.00	0-2
2	Knob, Infinite Switch	05.30.043.00	1-3
3	Knob, Thermostat	05.30.018.00	1

Item	Description	Part Number	Qty.
4	Thermostat, Base	02.16.030.00	1
5	Leg, 4" (102 mm)	05.30.007.00	4
6	Thermometer	02.16.143.00	1-2

NOTE: Quantities shown as a range (example = "1-3") are dependent upon the number of shelves, the length of the unit, and/or if the unit is humidified.

Parts Specific to Model GRHDH-2P

Item	Description	Part Number	Qty.
7	Light Bulb		
	120 V	02.30.265.00	4
	220, 240, 220-230, 230-240 V	02.30.266.00	4
8	Heating Element, Upper		
	120 V	R02.08.026D.00	1
	220, 220-230 V	R02.08.042E.00	1
	240, 230-240 V	R02.08.028E.00	1
9	Wire Guard	04.37.100.00	2
10	Terminal Block, 3-Pole	R02.15.030.00	1
11	Relay		
	120 V	R02.01.088.00	1
	220, 240, 230-240 V	02.01.105.00	1
	220-230 V	02.01.180.00	1
12	High Limit, Manual	02.16.071.00	1
13	Infinite Control Switch		
	120 V	R02.19.018.00	2
	220, 240, 220-230, 230-240 V	R02.19.019.00	2
14	On/Off Switch	R02.19.008A.00	1
15	Indicator Light		
	Red		
	120 V	02.19.154.00	2
	220, 240 V	02.19.151.00	2
	Green		
	120 V	02.19.155.00	1
	220, 240 V	02.19.150.00	1
220-230, 230-240 V	02.19.150.00	2	
	Yellow		
	220-230, 230-240 V	02.19.152.00	1

The shaded areas contain part information for **International models only**.

NOTE: Quantities shown as a range (example = "1-3") are dependent upon the number of shelves, the length of the unit, and/or if the unit is humidified.

** Use one of the following suffixes for the appropriate painted part:

“.01” = Black	“.07” = Hunter Green
“.03” = Warm Red	“.12” = Glossy Gray
“.04” = White Granite	“.21” = Antique Copper
“.05” = Navy Blue	

Item	Description	Part Number	Qty.
16	Glass Door, Non-Mirrored		
	Inner, Left Hand	R00.01.0002.00	1
	Outer, Right Hand	R00.01.0001.00	1
17	Glass Door, Inner, Mirrored		
	Inner, Left Hand	R00.01.0014.00	1
	Outer, Right Hand	R00.01.0013.00	1
	Flip-Up Door **	R00.02.0353.xx	1
17	Glass, Front	04.40.064.00	1
18A	End Glass	04.40.065.00	2
18B	End Glass	N/A	
19	Strain Relief		
	120 V	02.20.226.00	1
	220, 240, 220-230, 230-240 V	02.20.212.00	1
20	Power Cord w/ Plug		
	120 V, NEMA 5-15P	R02.18.030.00	1
	220, 220-230 V, CEE 7/7 Schuko	02.18.077.00	1
	240, 220-230, 230-240 V, BS-1363	02.18.066.00	1
	240 V, AS 3112	02.18.207.00	1
21	Pan Divider (optional)	04.22.400.00	1
22	Pan Enclosure, 2 Pan (optional)	04.22.406.00	1
23	Heating Element		
	120 V	02.05.293.00	2
	220, 220-230 V	02.05.137.00	2
	240, 230-240 V	02.05.294.00	2
24	Water Trough	04.22.403.00	1
25	Heating Element, Water		
	120 V	02.05.295.00	1
	220, 240, 220-230, 230-240 V	02.05.296.00	1
26	High Limit, Automatic	R02.16.036.00	1
	Wiring Diagram		
	120, 220, 240 V	10-01-274	
	220-230, 230-240 V	10-01-275	

Parts Specific to Model GRHDH-2PD

Item	Description	Part Number	Qty.
7	Light Bulb		
	120 V	02.30.265.00	6
	220, 240, 220-230, 230-240 V	02.30.266.00	6
8	Heating Element, Upper		
	120 V	R02.08.202D.00	1
	220, 220-230 V	R02.08.250E.00	1
	240, 230-240 V	R02.08.251E.00	1
9	Wire Guard	04.37.100.00	2
10	Terminal Block, 3-Pole	R02.15.030.00	1
11	Relay		
	120 V	R02.01.088.00	1
	220, 220-230 V	02.01.180.00	1
	240, 230-240 V	02.01.105.00	1
12	High Limit, Manual	02.16.071.00	1
13	Infinite Control Switch		
	120 V	R02.19.018.00	3
	220, 240, 220-230, 230-240 V	R02.19.019.00	3
14	On/Off Switch	R02.19.008A.00	1
15	Indicator Light		
	Red		
	120 V	02.19.154.00	3
	220, 240 V	02.19.151.00	3
	Green		
	120 V	02.19.155.00	1
	220, 240 V	02.19.150.00	1
	220-230, 230-240 V	02.19.150.00	3
	Yellow		
	220-230, 230-240 V	02.19.152.00	1

The shaded areas contain part information for **International models only**.

NOTE: Quantities shown as a range (example = "1-3") are dependent upon the number of shelves, the length of the unit, and/or if the unit is humidified.

† Canadian 120 V units use Power Cord w/Plug P/N 02.18.089.00 (NEMA 5-20P).

** Use one of the following suffixes for the appropriate painted part:

“.01” = Black	“.07” = Hunter Green
“.03” = Warm Red	“.12” = Glossy Gray
“.04” = White Granite	“.21” = Antique Copper
“.05” = Navy Blue	

Item	Description	Part Number	Qty.
16	Glass Door, Non-Mirrored		
	Inner, Left Hand	R00.01.0008.00	1
	Outer, Right Hand	R00.01.0007.00	1
	Glass Door, Inner, Mirrored		
	Inner, Left Hand	R00.01.0020.00	1
	Outer, Right Hand	R00.01.0019.00	1
	Flip-Up Door **	R00.02.0356.xx	1
17	Glass, Front	04.40.068.00	2
18A	End Glass	04.40.069.00	2
18B	End Glass	04.40.070.00	1
19	Strain Relief		
	120 V	02.20.226.00	1
	220, 240, 220-230, 230-240 V	02.20.212.00	1
20	Power Cord w/ Plug		
	120 V, NEMA 5-15P †	R02.18.030.00	1
	220, 220-230 V, CEE 7/7 Schuko	02.18.077.00	1
	240, 220-230, 230-240 V, BS-1363	02.18.068.00	1
	240 V, AS 3112	02.18.207.00	1
21	Pan Divider (optional)	04.22.400.00	1
22	Pan Enclosure, 2 Pan (optional)	04.22.406.00	1
23	Heating Element		
	120 V	02.05.293.00	2
	220, 220-230 V	02.05.137.00	2
	240, 230-240 V	02.05.294.00	2
24	Water Trough	04.22.403.00	1
25	Heating Element, Water		
	120 V	02.05.295.00	1
	220, 240, 220-230, 230-240 V	02.05.296.00	1
26	High Limit, Automatic	R02.16.036.00	1
	Wiring Diagram		
	120, 220, 240 V	10-01-273	
	220-230, 230-240 V	10-01-276	

Parts Specific to Model GRHDH-3P

Item	Description	Part Number	Qty.
7	Light Bulb		
	120 V	02.30.265.00	5
	220, 240, 220-230, 230-240 V	02.30.266.00	5
8	Heating Element, Upper		
	120 V	R02.08.007D.00	1
	220, 220-230 V	R02.08.039E.00	1
	240, 230-240 V	R02.08.009E.00	1
9	Wire Guard	04.37.100.00	3
10	Terminal Block, 3-Pole	R02.15.030.00	1
11	Relay		
	120 V	R02.01.088.00	1
	220, 220-230 V	02.01.180.00	1
	240, 230-240 V	02.01.105.00	1
12	High Limit, Manual	02.16.071.00	1
13	Infinite Control Switch		
	120 V	R02.19.018.00	2
	220, 240, 220-230, 230-240 V	R02.19.019.00	2
14	On/Off Switch	R02.19.008A.00	1
15	Indicator Light		
	Red		
	120 V	02.19.154.00	2
	220, 240 V	02.19.151.00	2
	Green		
	120 V	02.19.155.00	1
	220, 240 V	02.19.150.00	1
	220-230, 230-240 V	02.19.150.00	2
	Yellow		
	220-230, 230-240 V	02.19.152.00	1

The shaded areas contain part information for **International models only**.

NOTE: Quantities shown as a range (example = "1-3") are dependent upon the number of shelves, the length of the unit, and/or if the unit is humidified.

† Canadian 120 V units use Power Cord w/Plug P/N 02.18.089.00 (NEMA 5-20P).

* Not Shown.

** Use one of the following suffixes for the appropriate painted part:

“.01” = Black	“.07” = Hunter Green
“.03” = Warm Red	“.12” = Glossy Gray
“.04” = White Granite	“.21” = Antique Copper
“.05” = Navy Blue	

Item	Description	Part Number	Qty.
16	Glass Door, Non-Mirrored		
	Inner, Left Hand	R00.01.0004.00	1
	Outer, Right Hand	R00.01.0003.00	1
	Glass Door, Inner, Mirrored		
	Inner, Left Hand	R00.01.0016.00	1
	Outer, Right Hand	R00.01.0015.00	1
	Flip-Up Door **	R00.02.0354.xx	1
17	Glass, Front	04.40.066.00	1
18A	End Glass	04.40.065.00	2
18B	End Glass	N/A	
19	Strain Relief		
	120 V	02.20.226.00	1
	220, 240, 220-230, 230-240 V	02.20.212.00	1
20	Power Cord w/ Plug		
	120 V, NEMA 5-15P †	R02.18.030.00	1
	220, 220-230 V, CEE 7/7 Schuko	02.18.077.00	1
	240, 220-230, 230-240 V, BS-1363	02.18.068.00	1
	240 V, AS 3112	02.18.207.00	1
21	Pan Divider (optional)	04.22.400.00	1
22	Pan Enclosure, 2 Pan (optional)	04.22.406.00	1
	Pan Enclosure, 1 Pan (optional) *	04.22.407.00	1
23	Heating Element		
	120 V	02.05.293.00	3
	220, 220-230 V	02.05.137.00	1
		02.05.141.00	1
	240, 230-240 V	02.05.294.00	3
24	Water Trough	04.22.403.00	1
25	Heating Element, Water		
	120 V	02.05.295.00	1
	220, 240, 220-230, 230-240 V	02.05.296.00	1
26	High Limit, Automatic	R02.16.036.00	1
	Wiring Diagram		
	120, 220, 240 V	10-01-274	
	220-230, 230-240 V	10-01-275	

Parts Specific to Model GRHDH-3PD

Item	Description	Part Number	Qty.
7	Light Bulb		
	120 V	02.30.265.00	8
	220, 240, 220-230, 230-240 V	02.30.266.00	8
8	Heating Element, Upper		
	120 V	R02.08.216D.00	2
	220, 220-230 V	R02.08.253E.00	2
	240, 230-240 V	R02.08.254E.00	2
9	Wire Guard	04.37.100.00	6
10	Terminal Block, 3-Pole	R02.15.030.00	1
11	Relay		
	120 V	R02.01.088.00	1
	220, 220-230 V	02.01.180.00	1
	240, 230-240 V	02.01.105.00	1
12	High Limit, Manual	02.16.071.00	1
13	Infinite Control Switch		
	120 V	R02.19.018.00	3
	220, 240, 220-230, 230-240 V	R02.19.019.00	3
14	On/Off Switch	R02.19.008A.00	1
15	Indicator Light		
	Red		
	120 V	02.19.154.00	3
	220, 240 V	02.19.151.00	3
	Green		
	120 V	02.19.155.00	1
	220, 240 V	02.19.150.00	1
	220-230, 230-240 V	02.19.150.00	3
	Yellow		
	220-230, 230-240 V	02.19.152.00	1

The shaded areas contain part information for **International models only**.

NOTE: Quantities shown as a range (example = "1-3") are dependent upon the number of shelves, the length of the unit, and/or if the unit is humidified.

† Canadian 120 V units use Power Cord w/Plug P/N 02.18.039.00 (NEMA 5-30P) and Strain Relief P/N 02.20.356.00.

* Not Shown.

** Use one of the following suffixes for the appropriate painted part:

“.01” = Black	“.07” = Hunter Green
“.03” = Warm Red	“.12” = Glossy Gray
“.04” = White Granite	“.21” = Antique Copper
“.05” = Navy Blue	

Item	Description	Part Number	Qty.
16	Glass Door, Non-Mirrored		
	Inner, Left Hand	R00.01.0010.00	1
	Outer, Right Hand	R00.01.0009.00	1
	Glass Door, Inner, Mirrored		
	Inner, Left Hand	R00.01.0022.00	1
	Outer, Right Hand	R00.01.0021.00	1
	Flip-Up Door **	R00.02.0357.xx	1
17	Glass, Front	04.40.071.00	2
18A	End Glass	04.40.069.00	2
18B	End Glass	04.40.070.00	2
19	Strain Relief		
	120 V †	02.20.226.00	1
	220, 240, 220-230, 230-240 V	02.20.212.00	1
20	Power Cord w/ Plug		
	120 V, NEMA 5-20P †	02.18.089.00	1
	220, 220-230 V, CEE 7/7 Schuko	02.18.077.00	1
	240, 220-230, 230-240 V, BS-1363	02.18.068.00	1
	240 V, AS 3112	02.18.207.00	1
21	Pan Divider (optional)	04.22.400.00	1
22	Pan Enclosure, 2 Pan (optional)	04.22.406.00	1
	Pan Enclosure, 1 Pan (optional) *	04.22.407.00	1
23	Heating Element		
	120 V	02.05.293.00	3
	220, 220-230 V	02.05.137.00	1
		02.05.141.00	1
	240, 230-240 V	02.05.294.00	3
24	Water Trough	04.22.403.00	1
25	Heating Element, Water		
	120 V	02.05.295.00	1
	220, 240, 220-230, 230-240 V	02.05.296.00	1
26	High Limit, Automatic	R02.16.036.00	1
	Wiring Diagram		
	120 V	10-01-1060	
	220, 240 V	10-01-273	
	220-230, 230-240 V	10-01-276	

Parts Specific to Model GRHDH-4P

Item	Description	Part Number	Qty.
7	Light Bulb		
	120, 120/208, 120/240 V	02.30.265.00	6
	220, 240, 220-230, 230-240 V	02.30.266.00	6
8	Heating Element, Upper		
	120, 120/208, 120/240 V	R02.08.025D.00	1
	220, 220-230 V	R02.08.046E.00	1
	240, 230-240 V	R02.08.030E.00	1
9	Wire Guard	04.37.100.00	4
10	Terminal Block, 3-Pole	R02.15.030.00	1
11	Relay		
	120 V (SPST)	R02.01.088.00	1
	120 V (DPDT)	02.01.097.00	1
	220, 220-230 V	02.01.180.00	1
	240, 230-240 V	02.01.105.00	1
12	High Limit, Manual	02.16.071.00	1
13	Infinite Control Switch		
	120 V	R02.19.018.00	2
	220, 240, 220-230, 230-240 V	R02.19.019.00	2
14	On/Off Switch		
	120 V	R02.19.006.00	1
	120/208, 120/240 V	R02.19.008A.00	1
	220, 240, 220-230, 230-240 V	R02.19.008A.00	1
15	Indicator Light		
	Red		
	120, 120/208, 120/240 V	02.19.154.00	2
	220, 240 V	02.19.151.00	2
	Green		
	120, 120/208, 120/240 V	02.19.155.00	1
	220, 240 V	02.19.150.00	1
	220-230, 230-240 V	02.19.150.00	2
Yellow			
	220-230, 230-240 V	02.19.152.00	1

The shaded areas contain part information for **International models only**.

** Use one of the following suffixes for the appropriate painted part:

“.01” = Black	“.07” = Hunter Green
“.03” = Warm Red	“.12” = Glossy Gray
“.04” = White Granite	“.21” = Antique Copper
“.05” = Navy Blue	

Item	Description	Part Number	Qty.
16	Glass Door, Non-Mirrored		
	Inner, Left Hand		
	120, 120/208, 120/240, 220 V	R00.01.0006.00	1
	240, 220-230, 230-240 V	R00.01.0004.00	1
	Outer, Right Hand		
	120, 120/208, 120/240, 220 V	R00.01.0005.00	1
	240, 220-230, 230-240 V	R00.01.0003.00	1
17	Glass Door, Inner, Mirrored		
	Inner, Left Hand	R00.01.0018.00	1
	Outer, Right Hand	R00.01.0017.00	1
	Flip-Up Door **	R00.02.0355.xx	1
17	Glass, Front	04.40.067.00	2
18A	End Glass	04.40.065.00	2
18B	End Glass	N/A	
19	Strain Relief		
	120 V	02.20.226.00	1
	120/208, 120/240 V	02.20.440.00	1
	220, 240, 220-230, 230-240 V	02.20.212.00	1
20	Power Cord w/ Plug		
	120 V, NEMA 5-30P	02.18.039.00	1
	120/208, 120/240 V, L14-20P	02.18.128.00	1
	220, 220-230 V, CEE 7/7 Schuko	02.18.038.00	1
	240, 220-230, 230-240 V, BS-1363	02.18.068.00	1
	240 V, AS 3112	02.18.207.00	1
21	Pan Divider (optional)	04.22.400.00	1
22	Pan Enclosure, 2 Pan (optional)	04.22.406.00	1
23	Heating Element		
	120, 120/208, 120/240 V	02.05.293.00	4
	220, 220-230 V	02.05.137.00	2
		02.05.141.00	1
	240, 230-240 V	02.05.294.00	4
24	Water Trough	04.22.403.00	1
25	Heating Element, Water		
	120, 120/208, 120/240 V	02.05.295.00	1
	220, 240, 220-230, 230-240 V	02.05.296.00	1
26	High Limit, Automatic	R02.16.036.00	1
	Wiring Diagram		
	120 V	10-01-1062	
	120/208, 120/240 V	HS2-2938	
	220V	HS2-2931	
	240 V	HS2-2932	
	220-230 V	HS2-4209	
	230-240 V	HS2-4210	

Parts Specific to Model GRHDH-4PD

Item	Description	Part Number	Qty.
7	Light Bulb		
	120, 120/208, 120/240 V	02.30.265.00	8
	220, 240, 220-230, 230-240 V	02.30.266.00	8
8	Heating Element, Upper		
	120, 120/208, 120/240 V	R02.08.206D.00	1
	220, 220-230 V	R02.08.056E.00	1
	240, 230-240 V	R02.08.057E.00	1
9	Wire Guard	04.37.100.00	4
10	Terminal Block, 3-Pole	R02.15.030.00	1
11	Relay		
	120, 120/208, 120/240 V (SPST)	R02.01.088.00	1
	120, 120/208, 120/240 V (DPDT)	02.01.097.00	1
	220 V (DPST)	02.01.098.00	1
	220, 220-230 V (SPST)	02.01.180.00	1
	240, 230-240 V (SPST)	02.01.105.00	1
12	High Limit, Manual	02.16.071.00	1
13	Infinite Control Switch		
	120, 120/208, 120/240 V	R02.19.018.00	3
	220, 240, 220-230, 230-240 V	R02.19.019.00	3
14	On/Off Switch		
	120, 220, 240, 220-230, 230-240 V	R02.19.008A.00	1
	120/208, 120/240 V	R02.19.006.00	1
15	Indicator Light		
	Red		
	120, 120/208, 120/240 V	02.19.154.00	3
	220, 240 V	02.19.151.00	3
	Green		
	120, 120/208, 120/240 V	02.19.155.00	1
	220, 240 V	02.19.150.00	1
	220-230, 230-240 V	02.19.150.00	3
	Yellow		
	220-230, 230-240 V	02.19.152.00	1

The shaded areas contain part information for **International models only**.

* Not Shown.

** Use one of the following suffixes for the appropriate painted part:

“.01” = Black	“.07” = Hunter Green
“.03” = Warm Red	“.12” = Glossy Gray
“.04” = White Granite	“.21” = Antique Copper
“.05” = Navy Blue	

Item	Description	Part Number	Qty.
16	Glass Door, Non-Mirrored		
	Inner, Left Hand	R00.01.0012.00	1
	Outer, Right Hand	R00.01.0011.00	1
	Glass Door, Inner, Mirrored		
	Inner, Left Hand	R00.01.0024.00	1
	Outer, Right Hand	R00.01.0023.00	1
	Flip-Up Door **	R00.02.0358.xx	1
17	Glass, Front	04.40.072.00	2
18A	End Glass	04.40.069.00	2
18B	End Glass	04.40.070.00	2
19	Strain Relief		
	120 V	02.20.356.00	1
	120/208, 120/240 V	02.20.440.00	1
	220, 240, 220-230, 230-240 V	02.20.212.00	1
20	Power Cord w/ Plug		
	120 V, NEMA 5-30P	02.18.039.00	1
	120/208, 120/240 V, L14-20P	02.18.128.00	
	220, 220-230 V, CEE 7/7 Schuko	02.18.038.00	1
	240, 220-230, 230-240 V, BS-1363	02.18.068.00	1
	240 V, AS 3112	02.18.105.00	1
21	Pan Divider (optional)	04.22.400.00	1
22	Pan Enclosure, 2 Pan (optional)	04.22.406.00	1
	Pan Enclosure, 1 Pan (optional) *	04.22.407.00	1
23	Heating Element		
	120, 120/208, 120/240 V	02.05.293.00	4
	220, 220-230 V	02.05.137.00	2
		02.05.141.00	1
	240, 230-240 V	02.05.294.00	4
24	Water Trough	04.22.403.00	1
25	Heating Element, Water		
	120, 120/208, 120/240 V	02.05.295.00	1
	220, 240, 220-230, 230-240 V	02.05.296.00	1
26	High Limit, Automatic	R02.16.036.00	1
	Wiring Diagram		
	120 V	10-01-1063	
	120/208, 120/240 V	10-01-969	
	220, 240, 220-230, 230-240 V	10-01-969	

AUTHORIZED PARTS DISTRIBUTORS • AUTORISÉS DISTRIBUTEURS DE PIÈCES

ALABAMA

Jones McLeod Appl. Svc.
Birmingham 205-251-0159

ARIZONA

Tech 24
Phoenix 602-234-2443

Byassee Equipment Co.
Phoenix 602-252-0402

CALIFORNIA

Industrial Electric
Commercial Parts & Service, Inc.
Huntington Beach 714-379-7100

Chapman Appl. Service
San Diego 619-298-7106

P & D Appliance
Commercial Parts & Service, Inc.
S. San Francisco 650-635-1900

COLORADO

Hawkins Commercial Appliance
Englewood 303-781-5548

FLORIDA

Whaley Foodservice Repair
Jacksonville 904-725-7800

Whaley Foodservice Repair
Orlando 407-757-0851

B.G.S.I./Heritage
Pompano Beach 954-971-0456

Comm. Appliance Service
Tampa 813-663-0313

GEORGIA

Heritage Service Group
Norcross 866-388-9837

HAWAII

Burney's Comm. Service, Inc.
Honolulu 808-848-1466

Food Equip Parts & Service
Honolulu 808-847-4871

ILLINOIS

Parts Town
Addison 708-865-7278

Eichenauer Elec. Service
Decatur 217-429-4229

Midwest Elec. Appl. Service
Elmhurst 630-279-8000

Cone's Repair Service
Moline 309-797-5323

IOWA

Goodwin Tucker Group
Des Moines 515-262-9308

KENTUCKY

Tech 24
Lexington 859-254-8854

Tech 24
Louisville 502-451-5411

LOUISIANA

Chandlers Parts & Service
Baton Rouge 225-272-6620

MARYLAND

Electric Motor Service
Baltimore 410-467-8080

MASSACHUSETTS

Ace Service Co., Inc.
Needham 781-449-4220

MICHIGAN

Bildons Appliance Service
Detroit 248-478-3320

Commercial Kitchen Service
Bay City 989-893-4561

Midwest Food Equip. Service
Grandville 616-261-2000

MISSOURI

General Parts
Kansas City 816-421-5400

Commercial Kitchen Services
St. Louis 314-890-0700

Kaemmerlen Parts & Service
St. Louis 314-535-2222

NEBRASKA

Anderson Electric
Omaha 402-341-1414

NEVADA

Burney's Commercial
Las Vegas 702-736-0006

Hi. Tech Commercial Service
N. Las Vegas 702-649-4616

NEW JERSEY

Jay Hill Repair
Fairfield 973-575-9145

Service Plus
Flanders 973-691-6300

NEW YORK

Alpro Service Co.
Maspeth 718-386-2515

Duffy's - AIS
Buffalo 716-884-7425

3Wire
Plattsburgh 800-634-5005

Duffy's - AIS
Sauquoit 800-836-1014

J.B. Brady, Inc.
Syracuse 315-422-9271

NORTH CAROLINA

Authorized Appliance
Charlotte 704-377-4501

OHIO

Akron/Canton Comm. Svc. Inc.
Akron 330-753-6634

Tech 24
Cincinnati 513-772-6600

Commercial Parts and Service
Columbus 614-221-0057

Electrical Appl. Repair Service
Brooklyn Heights 216-459-8700

E. A. Wichman Co.
Toledo 419-385-9121

OKLAHOMA

Hagar Rest. Service, Inc.
Oklahoma City 405-235-2184

OREGON

General Parts Group
Portland 503-624-0890

PENNSYLVANIA

Elmer Schultz Services
Philadelphia 215-627-5401

FAST Comm. Appl. Service
Philadelphia 215-288-4800

AIS Commercial Parts and Service
Pittsburgh 412-809-0244

K & D Service Co.
Harrisburg 717-236-9039

Electric Repair Co.
Reading 610-376-5444

RHODE ISLAND

Marshall Electric Co.
Providence 401-331-1163

SOUTH CAROLINA

Whaley Foodservice Repair
Lexington 803-996-9900

TENNESSEE

Camp Electric
Memphis 901-527-7543

TEXAS

Armstrong Repair Service
Houston 713-666-7100

Cooking Equipment Specialist
Mesquite 972-686-6666

Commercial Kitchen Repair Co.
San Antonio 210-735-2811

UTAH

La Monica's Rest. Equip. Service
Murray 801-263-3221

VIRGINIA

Daubers
Norfolk 757-855-4097

Daubers
Springfield 703-866-3600

WASHINGTON

3Wire
Seattle 800-207-3146

WISCONSIN

A.S.C., Inc.
Madison 608-246-3160

A.S.C., Inc.
Milwaukee 414-543-6460

CANADA

ALBERTA

Key Food Equipment Service
Edmonton 780-438-1690

BRITISH COLUMBIA

Key Food Equipment Service
Vancouver 604-433-4484

Key Food Equipment Service
Victoria 250-920-4888

MANITOBA

Air Rite, Inc.
Winnipeg 204-895-2300

NEW BRUNSWICK

EMR Services, Ltd.
Moncton 506-855-4228

ONTARIO

R.G. Henderson Ltd.
Toronto 416-422-5580

Choquette - CKS, Inc.
Ottawa 613-739-8458

QUÉBEC

Choquette - CKS, Inc.
Montreal 514-722-2000

Choquette - CKS, Inc.
Québec City 418-681-3944

UNITED KINGDOM

Marren Group
Northants +44(0)1933 665313

HATCO CORPORATION
P.O. Box 340500
Milwaukee, WI 53234-0500 U.S.A.
800-558-0607 414-671-6350
partsandservice@hatcocorp.com
www.hatcocorp.com



24 Hour 7 Day Parts and Service
Assistance available in the United States
and Canada by calling 800-558-0607.