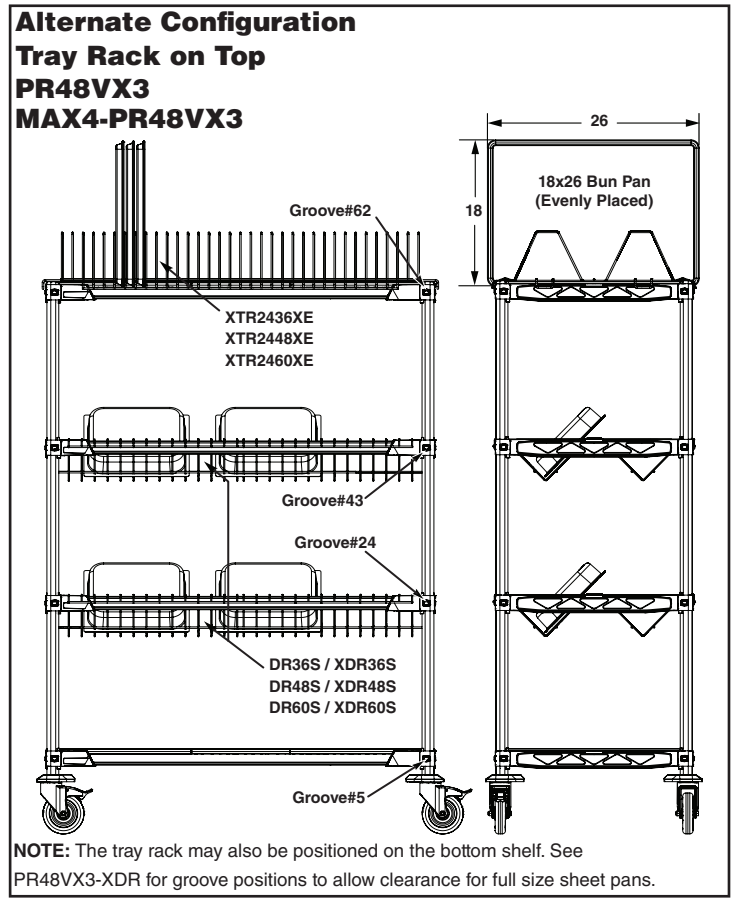
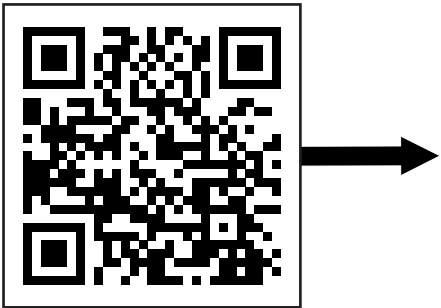
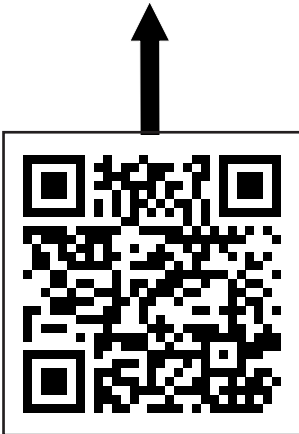
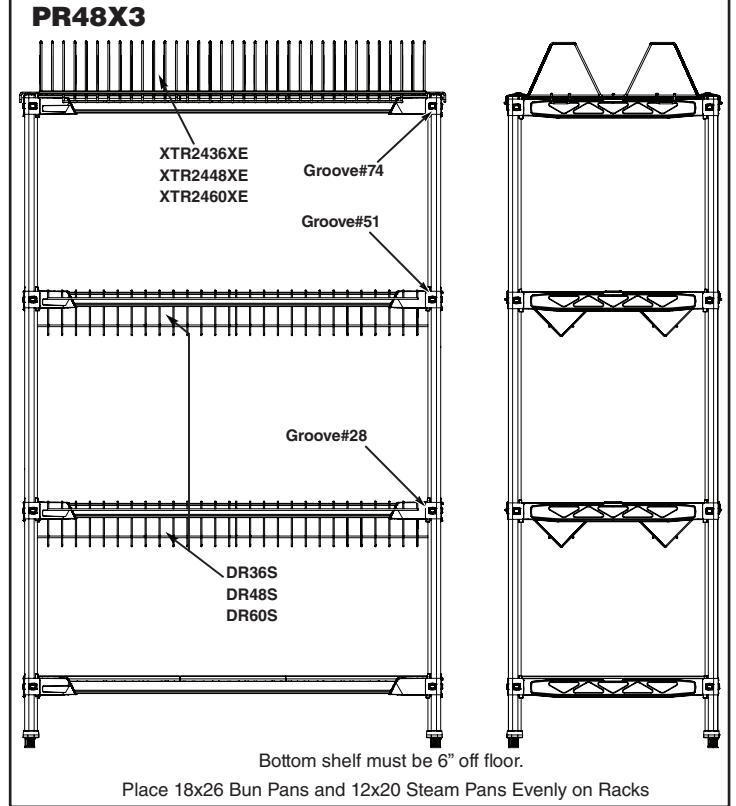
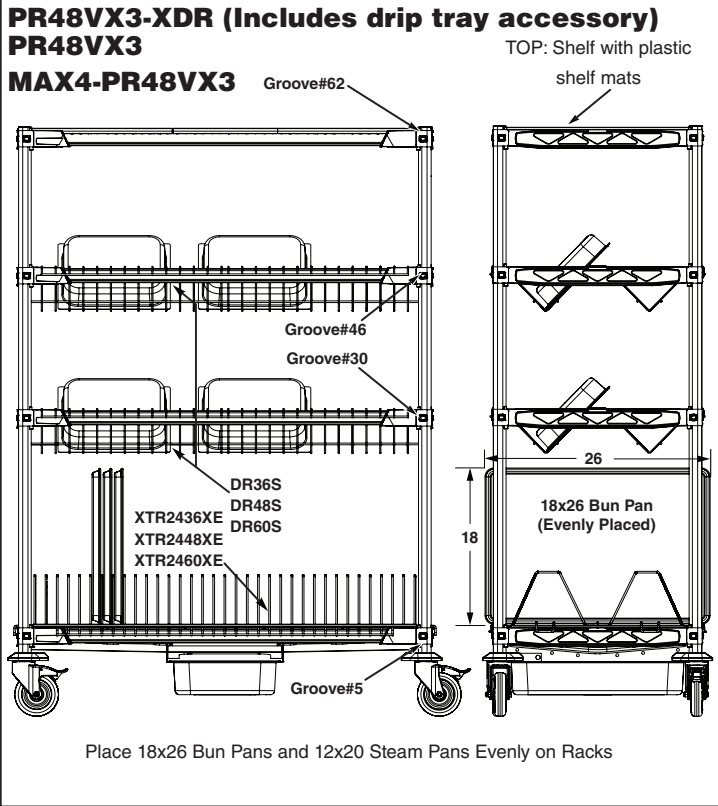
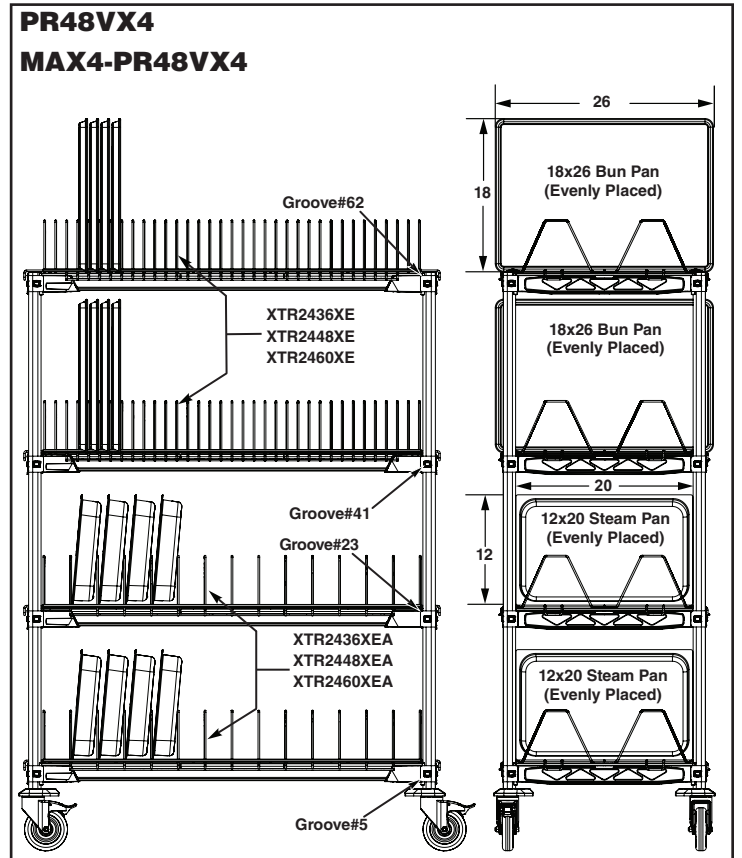
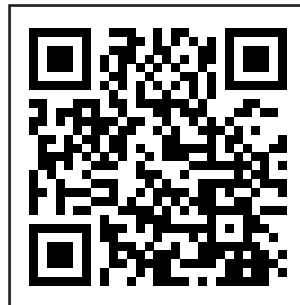
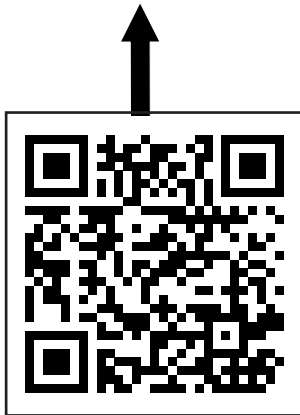
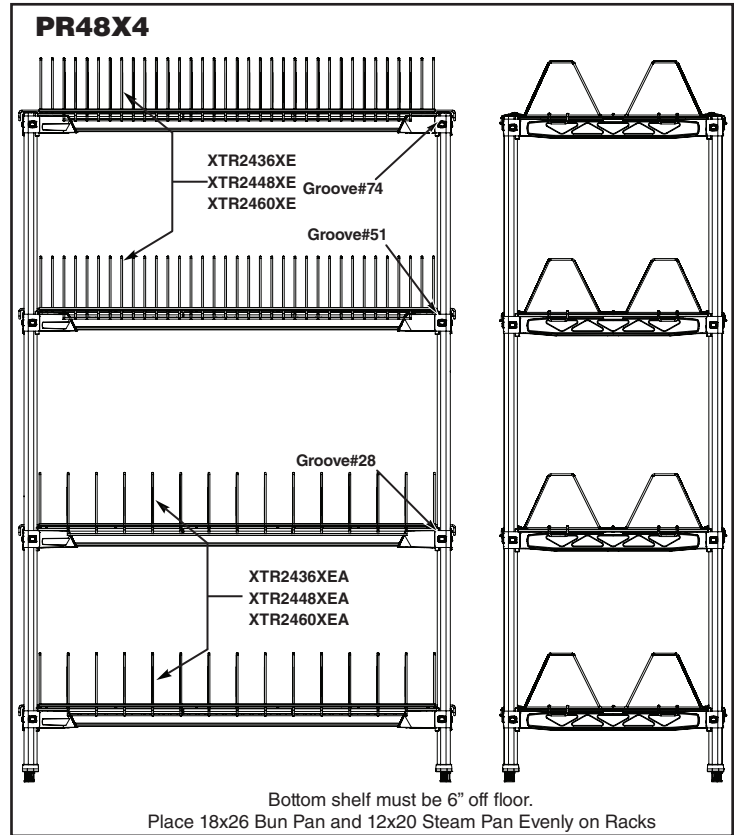
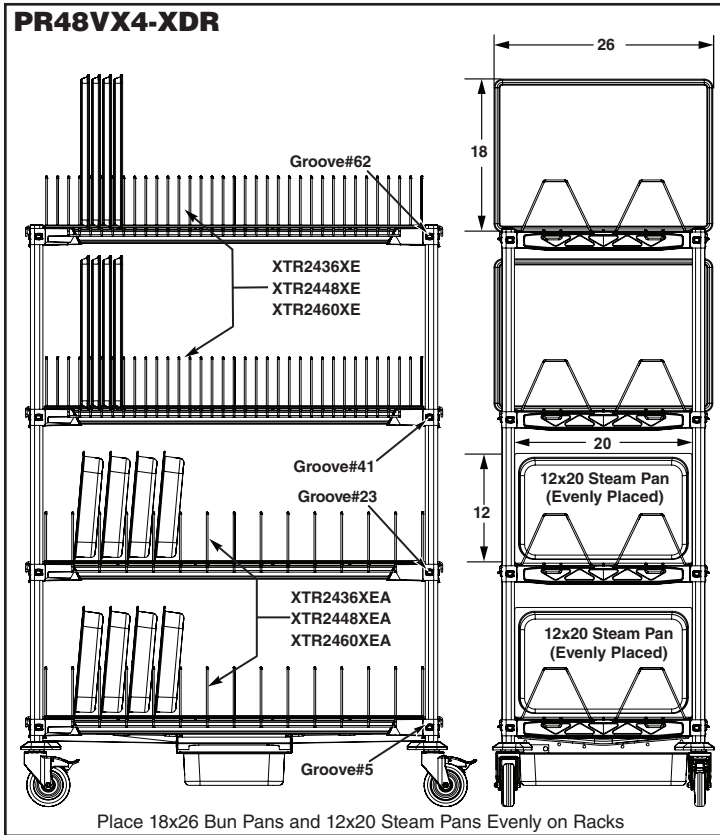


METROMAX DRYING RACK UNIT

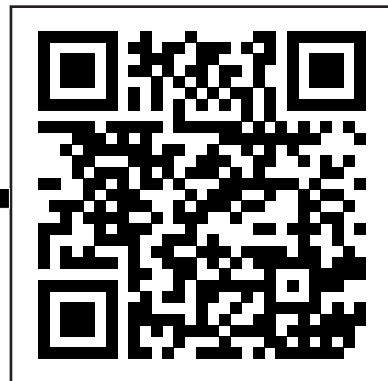
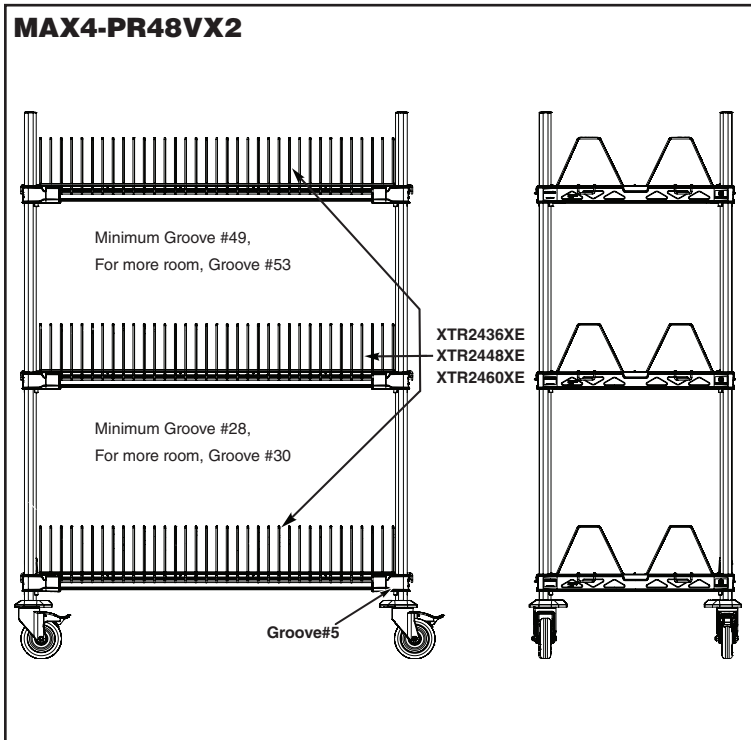
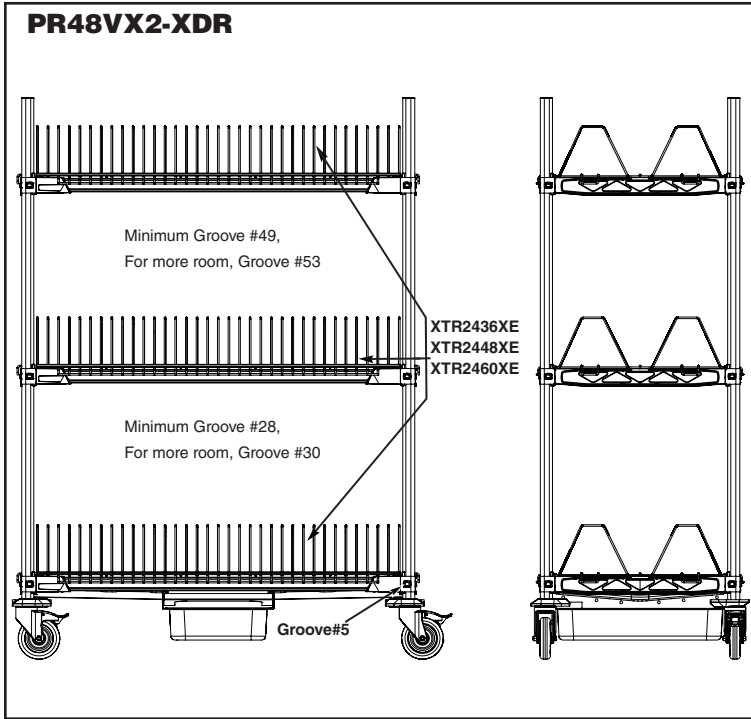
Pan & Tray Rack: (2) Stainless Drop-in Shelves, (1) Tray Rack



Tray and Pan Rack: (2) Tray Racks, (2) Pan Racks



Tray Rack: (3) Tray Racks



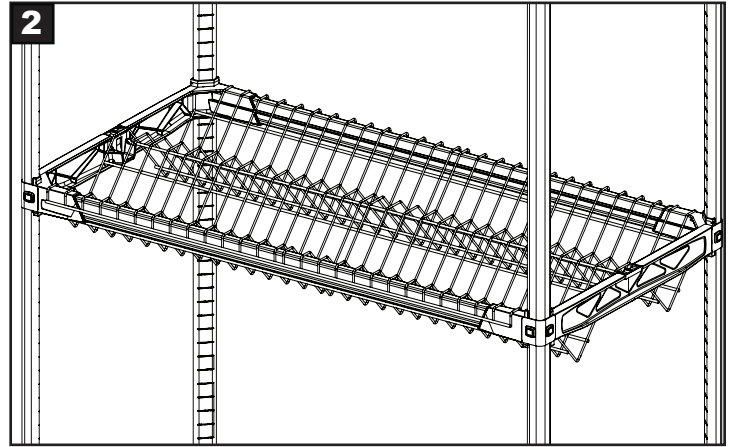
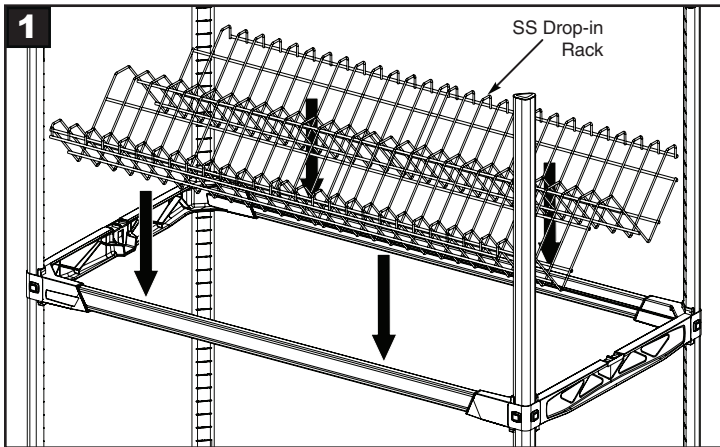
Note: Steam pan that mounts to the drip tray accessory is not provided.

THIS COMPLETES INSTALLATION OF THE METROMAX DRYING RACK UNIT

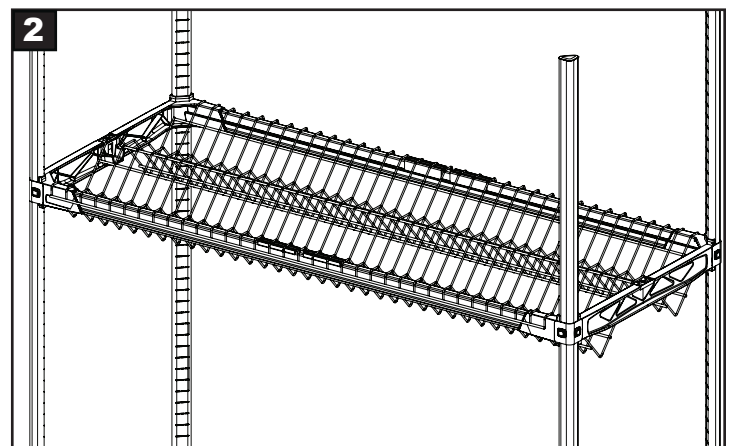
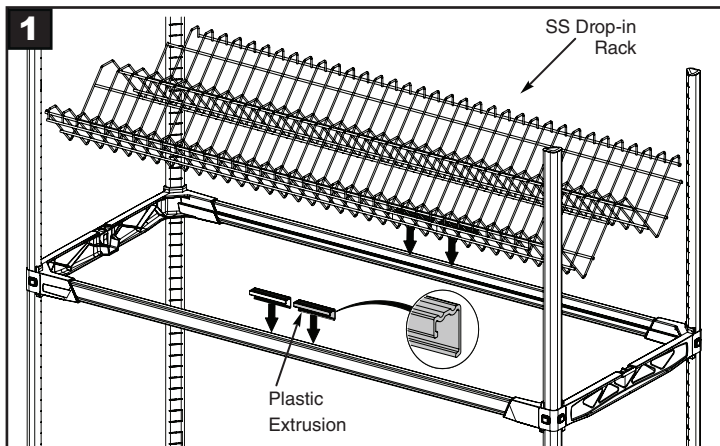
MetroMax i® - Installation of Stainless Steel Drop-in Rack

Model Numbers: DR36S, DR48S

Stainless steel drop-ins mount to an open shelf frame



Model Number: DR60S [60" (1524mm) length]

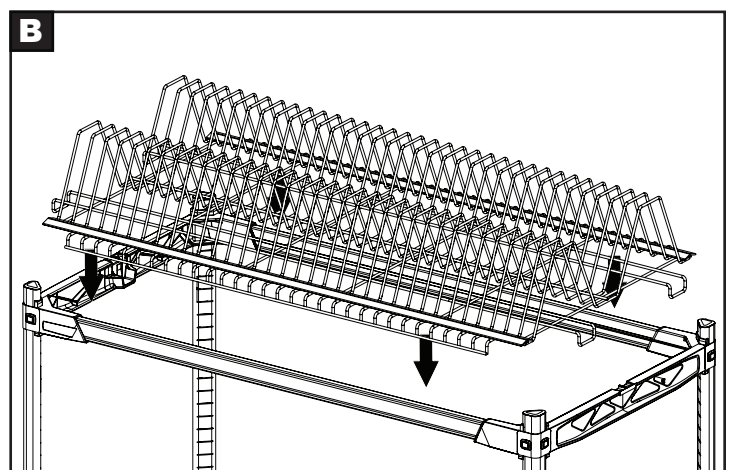
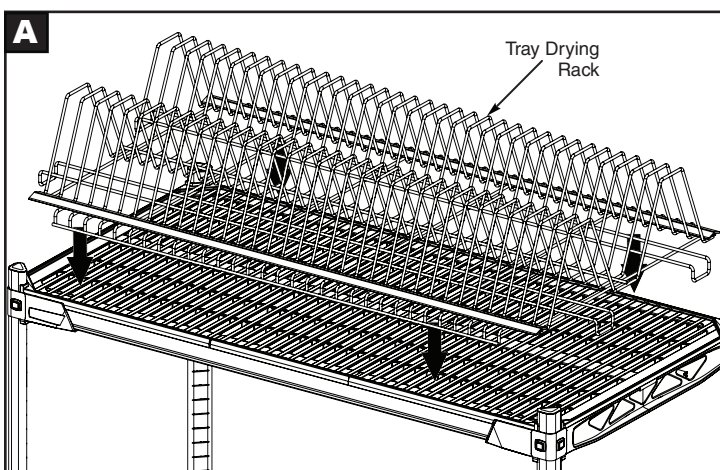


MetroMax i® - Installation of top-mount drying racks

Tray racks - XTR2436XE, XTR2448XE, XTR2460XE

Pan racks - XTR2436XEA, XTR2448XEA, XTR2460XEA

Mounts to full shelf (A) or open frame (B)

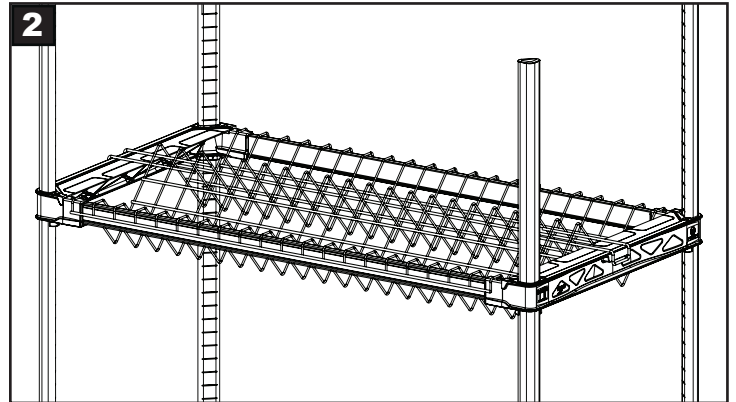
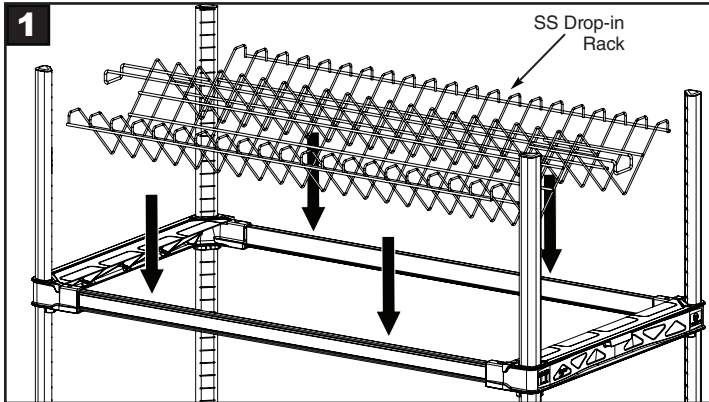


MetroMax 4

⚠ Attention-Drying Rack accessories for MetroMax 4 must mount on an open shelf frame.

MetroMax 4® - Installation of Stainless Steel Drop-in Rack

Model Numbers: MAX4-DR36S, MAX4-DR48S, MAX4-DR60S

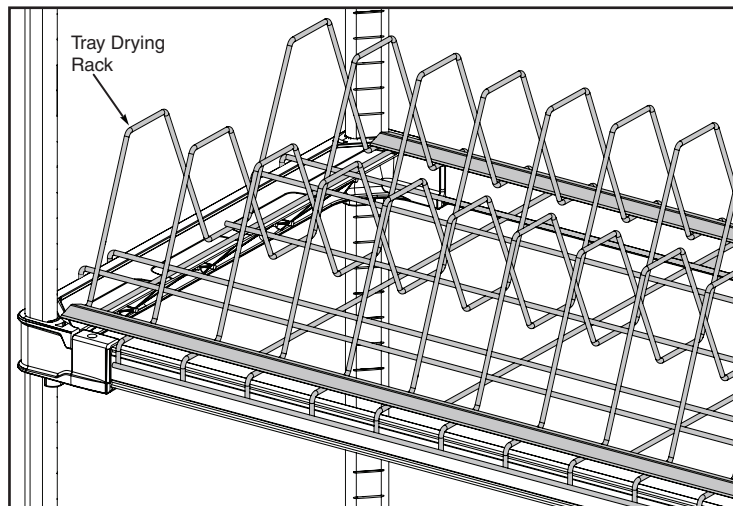


MetroMax 4® - Installation of Tray and Pan Racks

Model Numbers:

Tray racks- XTR2436XE, XTR2448XE, XTR2460XE

Pan racks- XTR2436XEA, XTR2448XEA, XTR2460XEA



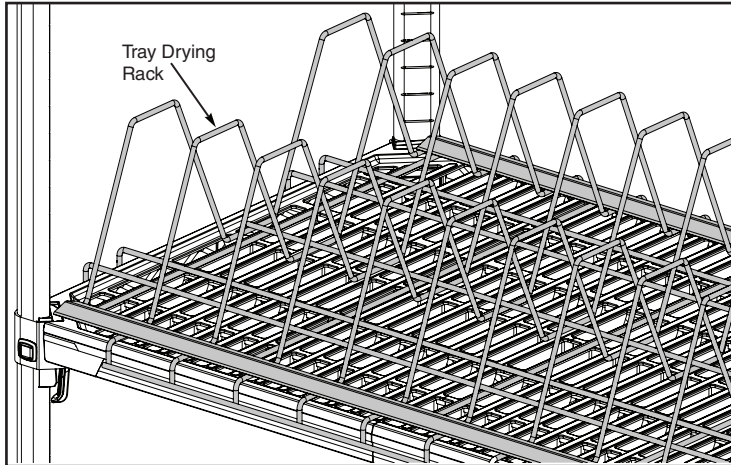
On MetroMax 4, the tray and pan racks must mount on an open shelf frame. A MetroMax 4 shelf can be converted to an open frame by removing the shelf mat sections.

Compatibility of the top-mount drying racks with Metro shelving.

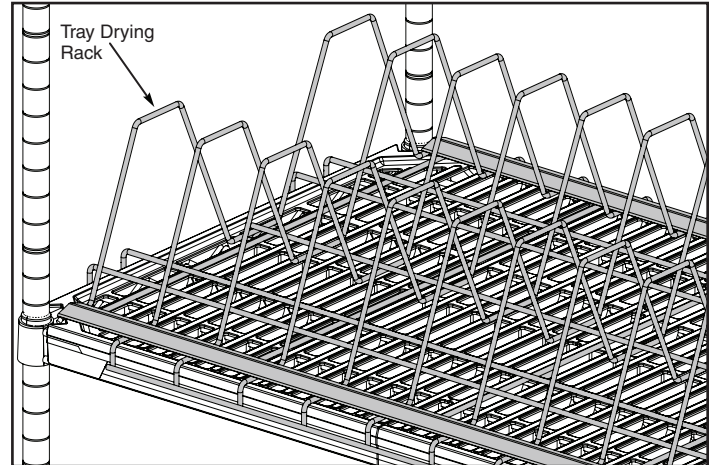
Tray racks – XTR2436XE, XTR2448XE, XTR2460XE

Pan racks – XTR2436XEA, XTR2448XEA, XTR2460XEA

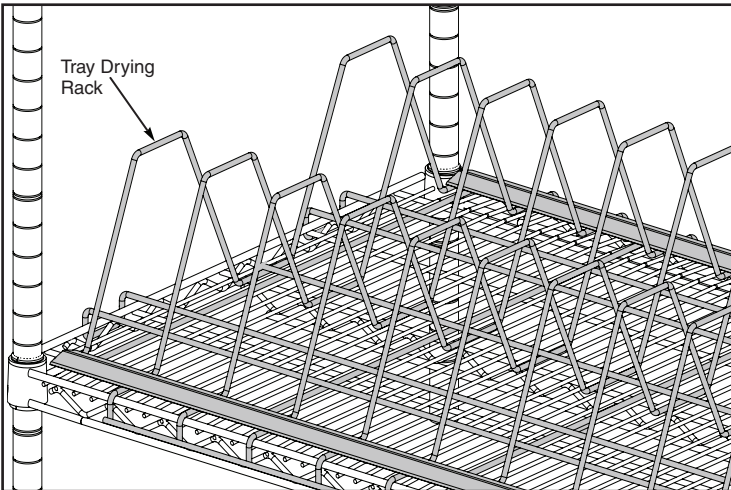
MetroMax Q Shelving



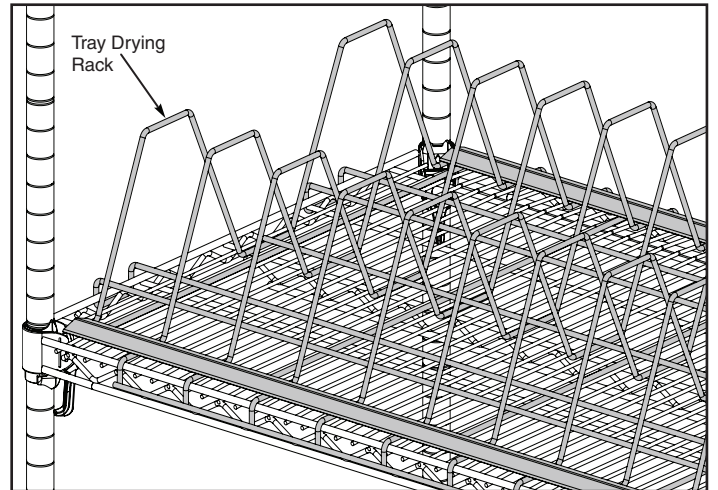
Super Erecta Pro Shelving



Super Erecta Shelving



Super Adjustable Super Erecta



Weight Capacity:

The weight of any tier using a ware drying accessory shall not exceed 200 lbs (90.71 Kg), and the total weight of any assembled drying unit must not exceed the weight capacity of the shelving system being used.

Usage Guidelines

A. Clean and Sanitize using a 4-Step Process:

1. Clean
2. Rinse
3. Sanitize
4. Air Dry

B. Always ensure cleaning and sanitizing products are recommended for use on plastics, epoxy coated, stainless, plated and galvanized steel. Avoid using abrasive cleaners, harsh chemicals, stiff brushes and scouring pads as these will void the warranty.

C. The entire unit may be rinsed with a hose or low pressure power washer. Intermittent exposure is limited to 200°F (93°C) Please note: This product is NOT to be used with an automated high temperature cart washing system or autoclave.

THIS SECTION INTENTIONALLY LEFT BLANK

Part List

MetroMax i			PR48VX3*			MetroMax 4		
PR48VX3-XDR			PR48VX3*			MAX4-PR48VX3		
Component	Description	Qty	Component	Description	Qty	Component	Description	Qty
MX2448G	Max i shelf	1	MX2448G	Max i shelf	2	MAX4-2448G	Max 4 shelf	1
M4F2448	open shelf frame	3	M4F2448	open shelf frame	2	MAX4-F2448	open shelf frame	3
MX63UP	polymer post	4	MX63UP	polymer post	4	MX63UP	polymer post	4
DR48S	SS drop-in rack (Max i)	2	DR48S	SS drop-in rack (Max i)	2	MAX4-DR48S	SS drop-in rack (Max 4)	2
XTR2448XE	tray rack	1	XTR2448XE	tray rack	1	XTR2448XE	tray rack	1
5PCBX	polymer brake caster	2	5PCBX	polymer brake caster	2	5PCBX	polymer brake caster	2
5PCX	polymer swivel caster	2	5PCX	polymer swivel caster	2	5PCX	polymer swivel caster	2
XDRIP	drip tray	1						
PR36VX3-XDR						MAX4-PR36VX3		
Component	Description	Qty				Component	Description	Qty
MX2436G	Max i shelf	1				MAX4-2436G	Max 4 shelf	1
M4F2436	open shelf frame	3				MAX4-F2436	open shelf frame	3
MX63UP	polymer post	4				MX63UP	polymer post	4
DR36S	SS drop-in rack (Max i)	2				MAX4-DR36S	SS drop-in rack (Max 4)	2
XTR2436XE	tray rack	1				XTR2436XE	tray rack	1
5PCBX	polymer brake caster	2				5PCBX	polymer brake caster	2
5PCX	polymer swivel caster	2				5PCX	polymer swivel caster	2
XDRIP	drip tray	1						
*NOTE PR48X3 and PR48X4 stationary models: use (4) MX74P pos ts in place of the MX63UP posts; stationary models do not include casters.								
PR48VX4-XDR			PR48VX4*			MAX4-PR48VX4		
Component	Description	Qty	Component	Description	Qty	Component	Description	Qty
M4F2448	open shelf frame	4	MX2448G	Max i shelf	4	MAX4-F2448	open shelf frame	4
MX63UP	polymer post	4	MX63UP	polymer post	4	MX63UP	polymer post	4
XTR2448XE	tray rack	2	XTR2448XE	tray rack	2	XTR2448XE	tray rack	2
XTR2448XEA	pan rack	2	XTR2448XEA	pan rack	2	XTR2448XEA	pan rack	2
5PCBX	polymer brake caster	2	5PCBX	polymer brake caster	2	5PCBX	polymer brake caster	2
5PCX	polymer swivel caster	2	5PCX	polymer swivel caster	2	5PCX	polymer swivel caster	2
XDRIP	drip tray	1						
PR36VX4-XDR						MAX4-PR36VX4		
Component	Description	Qty				Component	Description	Qty
M4F2436	open shelf frame	4				MAX4-F2436	open shelf frame	4
MX63UP	polymer post	4				MX63UP	polymer post	4
XTR2436XE	tray rack	2				XTR2436XE	tray rack	2
XTR2436XEA	pan rack	2				XTR2436XEA	pan rack	2
5PCBX	polymer brake caster	2				5PCBX	polymer brake caster	2
5PCX	polymer swivel caster	2				5PCX	polymer swivel caster	2
XDRIP	drip tray	1						
*NOTE PR48X3 and PR48X4 stationary models: use (4) MX74P pos ts in place of the MX63UP posts; stationary models do not include casters.								
PR48VX2-XDR						MAX4-PR48VX2		
Component	Description	Qty				Component	Description	Qty
M4F2448	open shelf frame	3				MAX4-F2448	open shelf frame	3
MX63UP	polymer post	4				MX63UP	polymer post	4
XTR2448XE	tray rack	3				XTR2448XE	tray rack	3
5PCX	polymer brake caster	2				5PCX	polymer brake caster	2
5PCBX	polymer swivel caster	2				5PCBX	polymer swivel caster	2
XDRIP	drip tray	1						
PR36VX2-XDR						MAX4-PR36VX2		
Component	Description	Qty				Component	Description	Qty
M4F2436	open shelf frame	3				MAX4-F2436	open shelf frame	3
MX63UP	polymer post	4				MX63UP	polymer post	4
5PCX	tray rack	2				5PCX	tray rack	2
5PCBX	polymer brake caster	2				5PCBX	polymer brake caster	2
XTR2436XE	polymer swivel caster	3				XTR2436XE	polymer swivel caster	3
XDRIP	drip tray	1						

* Save this document for future application, load rating and/or safety reference.



We put space to work.

