

hatcocorp.com

Register Online!
(see page 2)

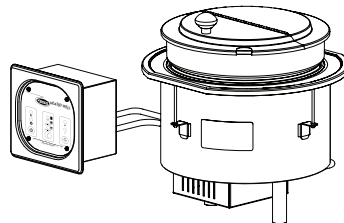
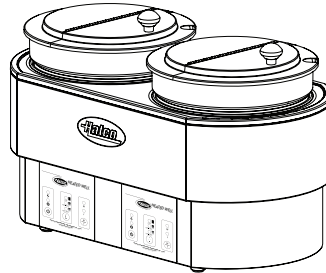
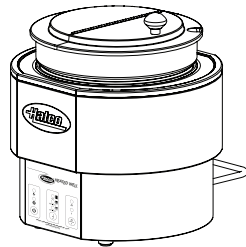
S'inscrire en ligne!
(voir page 12)



Round Heated Wells Puits Chauffants Ronds

RHW Series/Série

Installation and Operating Manual Manuel d'installation et d'utilisation



⚠ WARNING

Do not operate this equipment unless you have read and understood the contents of this manual! Failure to follow the instructions contained in this manual may result in serious injury or death. This manual contains important safety information concerning the maintenance, use, and operation of this product. If you're unable to understand the contents of this manual, please bring it to the attention of your supervisor. Keep this manual in a safe location for future reference.

English = p 2

⚠ ADVERTENCIA

No opere este equipo al menos que haya leído y comprendido el contenido de este manual! Cualquier falla en el seguimiento de las instrucciones contenidas en este manual puede resultar en un serio lesión o muerte. Este manual contiene importante información sobre seguridad concerniente al mantenimiento, uso y operación de este producto. Si usted no puede entender el contenido de este manual por favor pregunte a su supervisor. Almacenar este manual en una localización segura para la referencia futura.

⚠ AVERTISSEMENT

Ne pas utiliser cet équipement sans avoir lu et compris le contenu de ce manuel ! Le non-respect des instructions contenues dans ce manuel peut entraîner de graves blessures ou la mort. Ce manuel contient des informations importantes concernant l'entretien, l'utilisation et le fonctionnement de ce produit. Si vous ne comprenez pas le contenu de ce manuel, veuillez le signaler à votre supérieur. Conservez ce manuel dans un endroit sûr pour pouvoir vous y référer plus tard.

Français = p 12

Important Owner Information	2	Operation	8
Introduction	2	General	8
Important Safety Instructions	3	Maintenance	9
Model Description	4	General	9
Model Designation	4	Daily Cleaning	9
Specifications	5	Options and Accessories	9
Plug Configurations	5	Troubleshooting Guide	10
Electrical Rating Chart	5	Limited Warranty	11
Dimensions	5		
Installation	6		
General	6		
Installing a Built-In Model	6		

IMPORTANT OWNER INFORMATION

Record the model number, serial number, voltage, and purchase date of the unit in the spaces below (specification label located on the back of the unit). Please have this information available when calling Hatco for service assistance.

Model No. _____

Serial No. _____

Voltage _____

Date of Purchase _____

Register your unit!

Completing online warranty registration will prevent delay in obtaining warranty coverage. Access the Hatco website at www.hatcocorp.com, select the *Parts & Service* pull-down menu, and click on "Warranty Registration".

Business Hours: 7:00 AM to 5:00 PM Central Standard Time (CST)
(Summer Hours: June to September—
7:00 AM to 5:00 PM CST Monday–Thursday
7:00 AM to 4:00 PM CST Friday)

Telephone: 800-558-0607; 414-671-6350

e-mail: partsandservice@hatcocorp.com



24 Hour 7 Day Parts and Service Assistance available in the United States and Canada by calling 800-558-0607.

Additional information can be found by visiting our web site at www.hatcocorp.com.

INTRODUCTION

Hatco Round Heated Wells are specially designed to cook or hold a wide variety of foods including soups, curry, gravies and a variety of toppings. Products for cooking or holding are placed in a pot which is heated or warmed by a heating plate. The heating element temperature is monitored by an electronic controller for optimum results. Heat is evenly distributed throughout the unit to hold foods at desired temperatures and the insulated stainless steel design provides easy maintenance and durable performance.

All units are equipped with a control panel featuring three temperature setpoints from 120°F (49°C) to 212°F (100°C) and an energy saving low power mode that saves electricity during off-peak hours.

Hatco Round Heated Wells are quality built to meet the demands of foodservice operations and provide years of trouble-free performance. The heating elements are guaranteed against breakage and burnout for 1 year.

Round Heated Wells are products of extensive research and field testing. The materials used were selected for maximum durability, attractive appearance, and optimum performance. Every unit is inspected and tested thoroughly prior to shipment.

This manual provides the installation, safety, and operating instructions for Round Heated Wells. Hatco recommends all installation, operating, and safety instructions appearing in this manual be read prior to installation or operation of the heated wells.

Safety information that appears in this manual is identified by the following signal word panels:



WARNING indicates a hazardous situation which, if not avoided, could result in death or serious injury.



CAUTION indicates a hazardous situation which, if not avoided, could result in minor or moderate injury.



NOTICE is used to address practices not related to personal injury.



Read the following important safety information before using this equipment to avoid serious injury or death and to avoid damage to equipment or property.

WARNING

ELECTRIC SHOCK HAZARD:

- Plug unit into a properly grounded electrical receptacle of the correct voltage, size, and plug configuration. If plug and receptacle do not match, contact a qualified electrician to determine and install the proper voltage and size electrical receptacle.
- Turn OFF power switch, unplug power cord, and allow unit to cool before performing any cleaning, adjustments, or maintenance.
- DO NOT submerge or saturate with water. Unit is not waterproof. Do not operate if unit has been submerged or saturated with water.
- Unit is not weatherproof. Locate unit indoors where ambient air temperature is a minimum of 70°F (21°C).
- Do not steam clean or use excessive water on unit.
- This unit is not “jet-proof” construction. Do not use jet-clean spray to clean this unit.
- Do not pull unit by power cord.
- Discontinue use if power cord is frayed or worn.
- Do not attempt to repair or replace a damaged power cord. Cord must be replaced by Hatco, an Authorized Hatco Service Agent, or a person with similar qualifications.
- DO NOT use unit to melt or hold ice. Doing so may cause condensation, creating an electrical hazard and causing personal injury and/or damage to unit. Damage caused by condensation is not covered by warranty.
- Use only Genuine Hatco Replacement Parts when service is required. Failure to use Genuine Hatco Replacement Parts will void all warranties and may subject operators of the equipment to hazardous electrical voltage, resulting in electrical shock or burn. Genuine Hatco Replacement Parts are specified to operate safely in the environments in which they are used. Some aftermarket or generic replacement parts do not have the characteristics that will allow them to operate safely in Hatco equipment.

FIRE HAZARD:

- Locate unit a minimum of 1" (25 mm) from combustible walls and materials. If safe distances are not maintained, discoloration or combustion could occur.
- Do not use harsh chemicals such as bleach (or cleaners containing bleach), oven cleaners, or flammable cleaning solutions to clean this unit.

Make sure food product has been heated to the proper food-safe temperature before placing in the unit. Failure to heat food product properly may result in serious health risks. This unit is for holding pre-heated food product only.

Hatco Corporation is not responsible for actual food product serving temperature. It is the responsibility of the user to ensure that food product is held and served at a safe temperature.

Make sure all operators have been instructed on the safe and proper use of the unit.

This unit is not intended for use by children or persons with reduced physical, sensory, or mental capabilities. Ensure proper supervision of children and keep them away from the unit.

WARNING

Maintain proper cleanliness of the unit. Proper cleanliness and sanitation is critical for food-safe operation. Refer to the MAINTENANCE section for cleaning procedures.

This unit has no “user-serviceable” parts. If service is required on this unit, contact an Authorized Hatco Service Agent or contact the Hatco Service Department at 800-558-0607 or 414-671-6350.

CAUTION

BURN HAZARD:

- Some exterior surfaces on unit will get hot. Use caution when touching these areas.
- Hot water in unit may cause scalding injury. Allow unit to cool before draining or cleaning.

Locate unit at the proper counter height in an area that is convenient for use. The location should be level to prevent the unit or its contents from falling accidentally and strong enough to support the weight of the unit and contents.

Do not move or relocate unit when it contains food product. Turn off unit, remove food product, and allow to cool completely before moving or cleaning.

Standard and approved manufacturing oils may smoke up to 30 minutes during initial startup. This is a temporary condition. Operate unit without food product until smoke dissipates.

NOTICE

Use non-abrasive cleaners and cloths only. Abrasive cleaners and cloths could scratch finish of unit, marring its appearance and making it susceptible to soil accumulation.

Do not lay unit on the side with the control panel. Damage to the unit could occur.

Remote mounted control panels must have a minimum 6" (152 mm) clearance from unit (not to exceed 56" [1420 mm]). Mounting control panel closer may cause heat damage to electrical system in control panel.

Do not locate unit in an area subject to excessive temperatures or grease from grills, fryers, etc. Excessive temperatures could cause damage to the unit.

Unit is designed and recommended for use in or on metallic countertops. Damage to any countertop material is not covered under the Hatco warranty. For other surfaces, verify with manufacturer that material is suitable for prolonged temperatures up to 212°F (100°C).

Do not use excessive force when tightening mounting screws on built-in units. This may damage unit and/or countertop.

Do not locate unit in area with excessive air movement around unit. Avoid areas that may be subject to active air movements or currents (i.e., near exhaust fans/hoods, air conditioning ducts, and exterior doors).

Do not operate unit without food product/water in well. Damage to unit could occur.

All Models

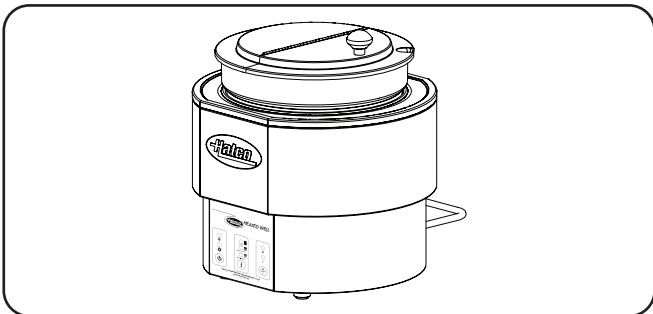
All Round Heated Wells are reliable and versatile. In addition for use as a Heated Well to keep food hot for serving, food also can be steamed when used with an optional adapter kit.

NOTE: Do not add cold food to the unit for re-thermalization while hot food is being held.

Model RHW-1

Model RHW-1 is equipped with a single heating element for holding food or cooking soups or sauces. It is supplied with a specially-designed, stainless steel 11 qt (10 liter) round pot and hinged lid.

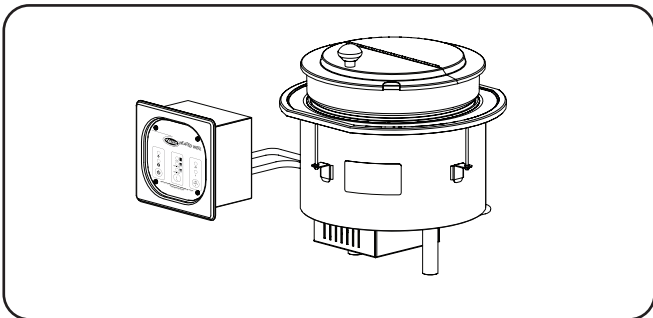
NOTE: Actual pan capacity—6-1/4 qt (6 liter) for boiling application or 8-1/2 quarts (8 liter) for warming application.



Model RHW-1

Model RHW-1B

Model RHW-1B is equipped the same as the RHW-1 but is a built-in model equipped with a remote mounted control panel.

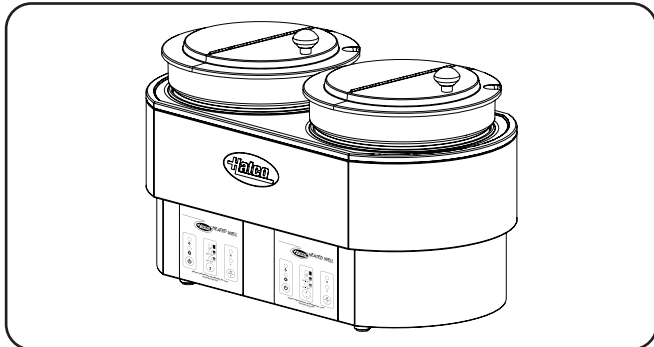


Model RHW-1B

Model RHW-2

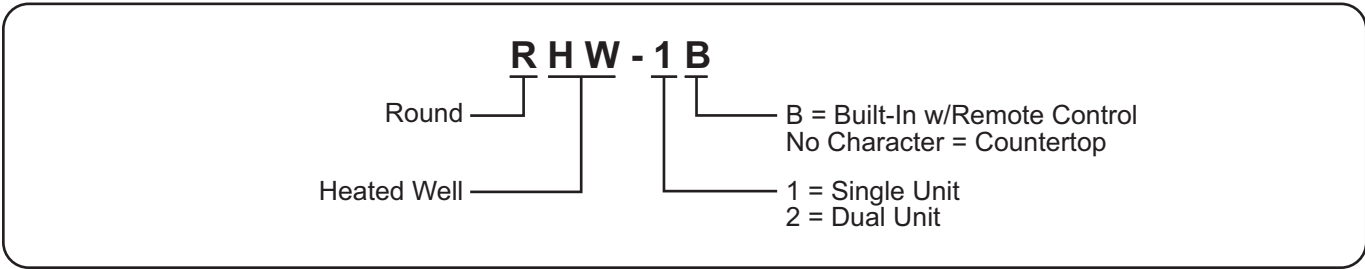
Model RHW-2 is equipped with two individually controlled heating elements for holding food or cooking soups or sauces. It is supplied with two specially-designed, stainless steel 11 qt (10 liter) round pots and hinged lids.

NOTE: Actual pan capacity—6-1/4 qt (6 liter) for boiling application or 8-1/2 quarts (8 liter) for warming application.



Model RHW-2

MODEL DESIGNATION

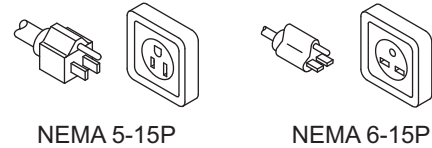


Plug Configurations

Units are supplied from the factory with an electrical cord and plug. Plugs are supplied according to the application.



ELECTRIC SHOCK HAZARD: Plug unit into a properly grounded electrical receptacle of the correct voltage, size, and plug configuration. If plug and receptacle do not match, contact a qualified electrician to determine and install the proper voltage and size electrical receptacle.



NEMA 5-15P

NEMA 6-15P

Plug Configurations

NOTE: The specification label is located on the back of the unit. See label for serial number and verification of unit electrical information.

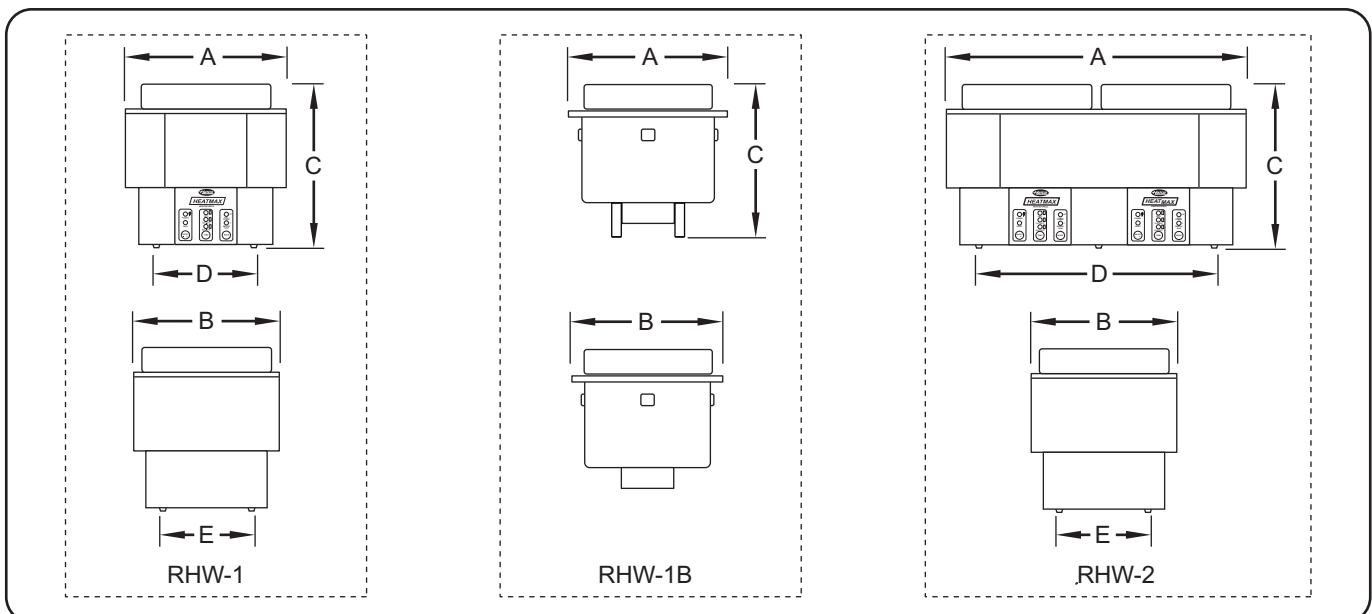
Electrical Rating Chart

Model	Voltage	Watts	Amps	Plug Configuration	Shipping Weight
RHW-1	120	1250	10.4	NEMA 5-15P	21 lbs. (10 kg)
RHW-1B	120	1250	10.4	NEMA 5-15P	21 lbs. (10 kg)
RHW-2	208–240	2045–2725	9.8–11.3	NEMA 6-15P	36 lbs. (17 kg)

NOTE: Shipping weight includes packaging.

Dimensions

Model	Width (A)	Depth (B)	Height (C)	Footprint Width (D)	Footprint Depth (E)
RHW-1	14-1/8" (359 mm)	13" (330 mm)	14" (355 mm)	7" (179 mm)	8-7/8" (224 mm)
RHW-1B	14-1/8" (359 mm)	13" (330 mm)	13-7/16" (341 mm)	N/A	N/A
RHW-2	24-3/4" (630 mm)	13" (330 mm)	14" (355 mm)	15-3/8" (389 mm)	9-7/8" (249 mm)



General

Round Heated Wells are shipped from the factory with most components assembled and ready for use. Care should be taken when unpacking shipping carton to avoid damage to unit and the components enclosed.

⚠ WARNING

ELECTRIC SHOCK HAZARD: Unit is not weatherproof. Locate unit indoors where ambient air temperature is a minimum of 70°F (21°C).

FIRE HAZARD: Locate unit a minimum of 1" (25 mm) from combustible walls and materials. If safe distances are not maintained, discoloration or combustion could occur.

⚠ CAUTION

Locate unit at the proper counter height in an area that is convenient for use. The location should be level to prevent the unit or its contents from falling accidentally and strong enough to support the weight of the unit and contents.

Do not move or relocate unit when it contains food product. Turn off unit, remove food product, and allow to cool completely before moving or cleaning.

NOTICE

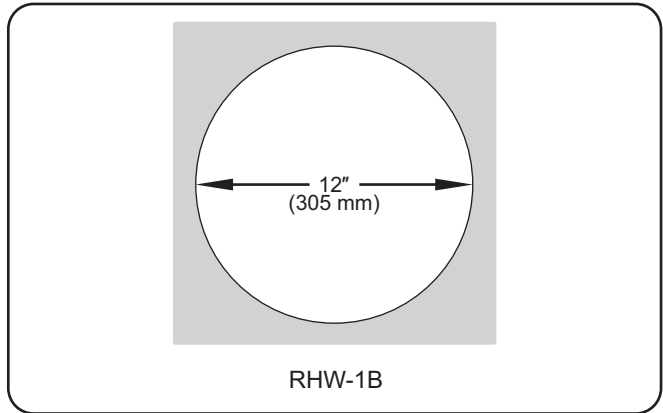
Do not lay unit on the side with the control panel. Damage to the unit could occur.

Do not locate unit in an area subject to excessive temperatures or grease from grills, fryers, etc. Excessive temperatures could cause damage to the unit.

1. Remove the unit from the carton.
2. Remove the information packet.
3. Remove tape and protective packaging from all surfaces of the unit and any accessories.
4. If the unit is a countertop model, place the unit in the desired location.
 - Locate the unit in an area where the ambient air temperature is constant and a minimum of 70° F (21° C). Avoid areas that may be subject to active air movements or currents (i.e., near exhaust fans/hoods, air conditioning ducts, exterior doors).
 - Make sure the unit is at the proper counter height in an area convenient for use.
 - Make sure the countertop is level and strong enough to support the weight of the unit and food product.
 - Make sure all the feet on the bottom of the unit are positioned securely on the countertop.
5. If the unit is a built-in model, perform the "Installing a Built-In Model" procedure in this section.

Installing a Built-In Model

1. Cut the appropriate opening in the countertop for the unit being installed (see below).



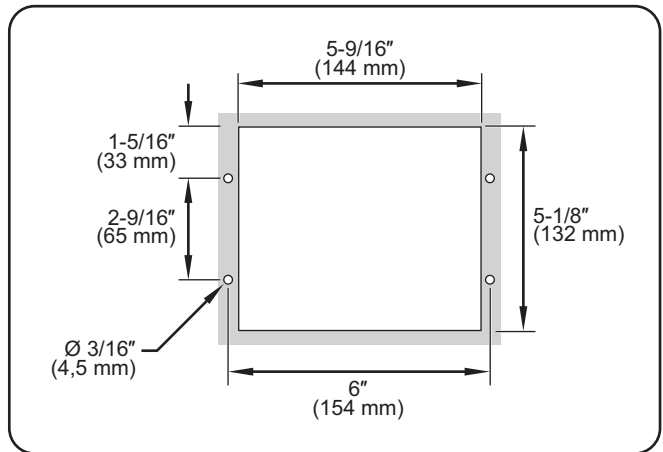
Countertop Cutout Dimensions

NOTICE

Remote mounted control panels must have a minimum 6" (152 mm) clearance from unit (not to exceed 56" [1420 mm]). Mounting control panel closer may cause heat damage to electrical system in control panel.

The remote mounted control box should be installed outside of heat zone. Locating the control box inside heat zone will cause the control(s) to overheat, malfunction, and fail.

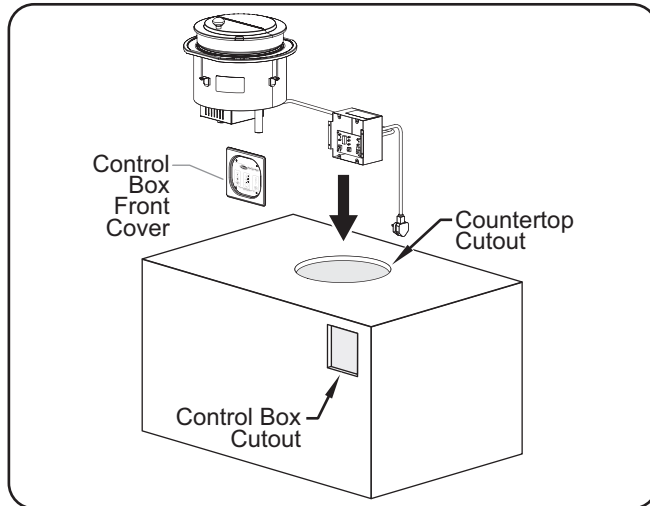
2. Cut the appropriate opening for the control box in a vertical surface at least 6" (152 mm) from the unit, but no more than 56" (1420 mm) (see below).



Control Box Cutout Dimensions

NOTE: The electrical cord between the unit and the control box is 56" (1420 mm) in length.

3. Guide the control box with the front cover removed and the electrical cords through the countertop cutout, and then lower the unit into the cutout.

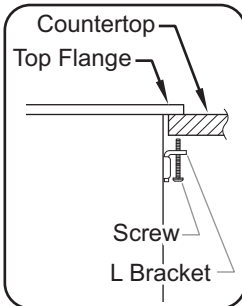


Installing the Unit

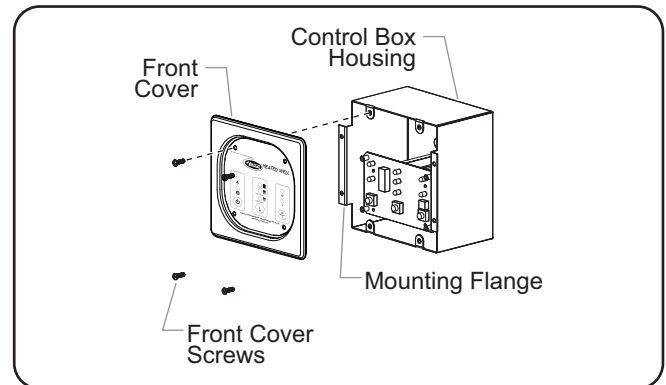
4. Assemble the L-brackets to the underside of the unit.
5. Tighten the L-bracket screws until the top flange lies flat on the countertop.

NOTICE

Do not use excessive force when tightening mounting screws on built-in units. This may damage unit and/or countertop.



6. Install the control box in the control box cutout:
- Pass one of the mounting flanges on the control box housing through the cutout. Tilt and slide the other flange through the cutout.
 - Align the holes on the mounting flanges with the screw holes in the installation surface, and secure the control box housing to the surface using four screws (not supplied).
 - Install the front cover on the control box using the four front cover screws.



Installing the Remote Mounted Control Box

7. Plug the power cord into a properly grounded electrical outlet of the correct voltage, size, and plug configuration. See the SPECIFICATIONS section for details.

General

Use the following procedure to operate the Round Heated Wells.

WARNING

Read all safety messages in the **IMPORTANT SAFETY INFORMATION** section before operating this equipment.

NOTICE

Do not operate unit without food product/water in well. Damage to unit could occur.

NOTE: For proper heat transfer, operate the RHW series, (Round Heated Wells), with the special pan supplied. This pan has a curved bottom to match the shape of the heating element.

1. Plug the unit into a properly grounded electrical outlet of the correct voltage, size, and plug configuration. See the SPECIFICATIONS section for details.

- The Power Indicator (⚡) will glow red when the unit has power.

2. Place a pan/pot filled with food product or water into the unit.

NOTE: Do not operate the unit without a food pan or with an empty/dry pan. The unit will overheat and go into FAULT mode.

3. Press the On/Off Button (⏻) to turn on the unit.

- The Power Indicator (⚡) will glow green when the unit is on and heating.

NOTE: The Fault Indicator (⊗) will illuminate and the unit will beep when the unit is overheated or if the temperature sensor short circuits. When this happens, power is cut off automatically until the temperature returns to normal range or the temperature sensor functions normally.

CAUTION

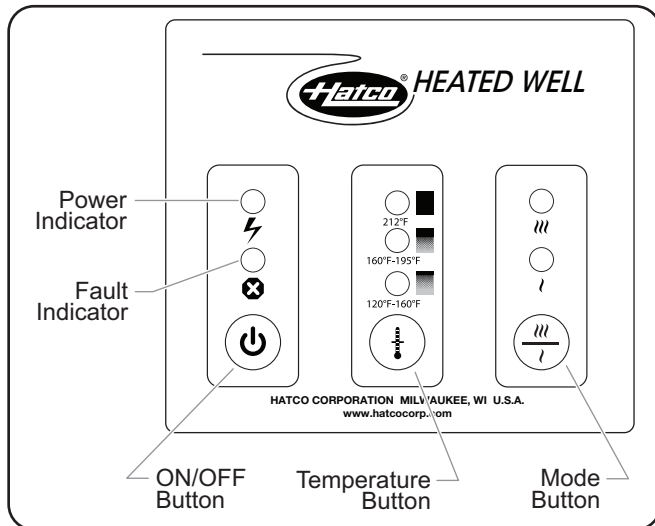
BURN HAZARD: Some exterior surfaces on unit will get hot. Use caution when touching these areas.

4. Press the Temperature Button (⊕/⊖) to scroll through and select the desired temperature setting. The indicator above each temperature setting will glow when that setting is selected. There are three temperature settings:

- 195–212°F (91–100°C)—Steaming and rethermalizing
- 160–195°F (71–91°C)—Food warming/holding
- 120–160°F (49–71°C)—Food warming/holding

5. Press the Mode Button (⏻) to scroll through and select the desired heating mode. The indicator above each mode will glow when that mode is selected. There are two heating modes:

- Full Power Mode (III) — Unit operates at 100% power.
- Low Power Mode (I) — Unit operates at 50% power for food warming and to avoid burning.



Control Panel

General

Round Heated Wells are designed for maximum durability and performance with minimum maintenance.

⚠ WARNING

ELECTRIC SHOCK HAZARD:

- Turn OFF power switch, unplug power cord, and allow unit to cool before performing any cleaning, adjustments, or maintenance.
- DO NOT submerge or saturate with water. Unit is not waterproof. Do not operate if unit has been submerged or saturated with water.
- Do not steam clean or use excessive water on unit.
- This unit is not “jet-proof” construction. Do not use jet-clean spray to clean this unit.
- Use only Genuine Hatco Replacement Parts when service is required. Failure to use Genuine Hatco Replacement Parts will void all warranties and may subject operators of the equipment to hazardous electrical voltage, resulting in electrical shock or burn. Genuine Hatco Replacement Parts are specified to operate safely in the environments in which they are used. Some aftermarket or generic replacement parts do not have the characteristics that will allow them to operate safely in Hatco equipment.

FIRE HAZARD: Do not use harsh chemicals such as bleach (or cleaners containing bleach), oven cleaners, or flammable cleaning solutions to clean this unit.

This unit has no “user-serviceable” parts. If service is required on this unit, contact an Authorized Hatco Service Agent or contact the Hatco Service Department at 800-558-0607 or 414-671-6350.

Daily Cleaning

To preserve the bright finish of the unit it is recommended that the exterior surfaces be cleaned daily.

NOTICE

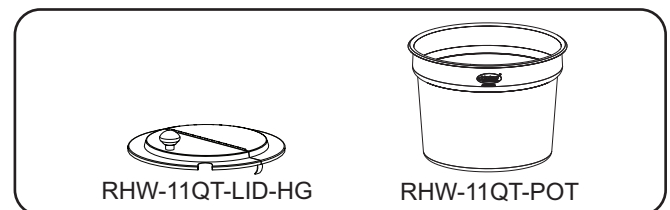
Use non-abrasive cleaners and cloths only. Abrasive cleaners and cloths could scratch finish of unit, marring its appearance and making it susceptible to soil accumulation.

1. Turn off the unit, unplug the power cord, and allow the unit to cool.
2. Remove food pans and any accessories for proper cleaning in a dishwasher or wash sink.
3. Wipe down all metal surfaces using a soft, damp cloth. Stubborn stains may be removed with a good non-abrasive cleaner. Hard to reach areas should be cleaned with a small brush and mild soap.
4. Wipe dry the entire unit using a dry, non-abrasive cloth.

OPTIONS AND ACCESSORIES

RHW-11QT-LID-HG ...11 qt (10 liter) round hinged lid with plastic knob

RHW-11QT-POT11 qt (10 liter) round pan —
8-11/16" dia x 8"H (221 x 203 mm)



RHW Accessories



WARNING

This unit must be serviced by trained and qualified personnel only. Service by unqualified personnel may lead to electric shock or burn.



WARNING

ELECTRIC SHOCK HAZARD: Turn OFF power switch, unplug power cord, and allow unit to cool before performing any cleaning, adjustments, or maintenance.

Symptom	Probable Cause	Corrective Action
Food well not hot enough.	Temperature setting too low.	Use Mode Button to change from Low Power to Full Power setting.
		Use Temperature Button to change to higher temperature setting.
	Wrong pot installed in unit.	Use specially-designed round pots for RHW models from Hatco only. Other pots may not provide the proper contact between the unit and the pot.
	Heating element not working.	Contact Authorized Service Agent or Hatco for assistance.
	Temperature Control not working properly.	Contact Authorized Service Agent or Hatco for assistance.
Food well too hot.	Temperature setting too high.	Use Mode Button to change from Full Power to Low Power setting.
		Use Temperature Button to change to lower temperature setting.
	Temperature Control not working properly.	Contact Authorized Service Agent or Hatco for assistance.
	Voltage supplied is incorrect.	Verify correct voltage is supplied to unit. High supply voltage will cause unit to overheat and may damage the unit.
No heat.	Unit turned off.	Use On/Off Button to turn on unit. Follow procedure in OPERATION section.
	Circuit breaker tripped.	Reset circuit breaker. If circuit breaker continues to trip, contact Authorized Service Agent or Hatco for assistance.
	Temperature Control not working properly.	Contact Authorized Service Agent or Hatco for assistance.
	Heating element not working.	Contact Authorized Service Agent or Hatco for assistance.
	High-limit switch tripped.	Make sure pot is properly placed in the well.

Troubleshooting Questions?

If you continue to have problems resolving an issue, please contact the nearest Authorized Hatco Service Agency or Hatco for assistance. To locate the nearest Service Agency, log onto the Hatco website at www.hatcocorp.com and click on *Find Service Agent*, or contact the **Hatco Parts and Service Team** at:

Telephone: 800-558-0607 or 414-671-6350
e-mail: partsandservice@hatcocorp.com

1. PRODUCT WARRANTY

Hatco warrants the products that it manufactures (the "Products") to be free from defects in materials and workmanship, under normal use and service, for a period of one (1) year from the date of purchase when installed and maintained in accordance with Hatco's written instructions or 18 months from the date of shipment from Hatco. Buyer must establish the Product's purchase date by registering the Product with Hatco or by other means satisfactory to Hatco in its sole discretion.

Hatco warrants the following Product components to be free from defects in materials and workmanship from the date of purchase (subject to the foregoing conditions) for the period(s) of time and on the conditions listed below:

- a) **One (1) Year Parts and Labor PLUS One (1) Additional Year Parts-Only Warranty:**
 - Conveyor Toaster Elements (metal sheathed)
 - Drawer Warmer Elements (metal sheathed)
 - Drawer Warmer Drawer Rollers and Slides
 - Strip Heater Elements (metal sheathed)
 - Display Warmer Elements (metal sheathed air heating)
 - Holding Cabinet Elements (metal sheathed air heating)
 - Heated Well Elements — HW and HWB Series (metal sheathed)
- b) **One (1) Year Parts and Labor PLUS Four (4) Years Parts-Only Warranty:**
 - 3CS and FR Tanks
- c) **One (1) Year Parts and Labor PLUS Nine (9) Years Parts-Only Warranty on:**
 - Electric Booster Heater Tanks
 - Gas Booster Heater Tanks
- d) **Ninety (90) Day Parts-Only Warranty:**
 - Replacement Parts

THE FOREGOING WARRANTIES ARE EXCLUSIVE AND IN LIEU OF ANY OTHER WARRANTY, EXPRESSED OR IMPLIED, INCLUDING BUT NOT LIMITED TO ANY IMPLIED WARRANTY OF MERCHANTABILITY OR FITNESS FOR A PARTICULAR PURPOSE OR PATENT OR OTHER INTELLECTUAL PROPERTY RIGHT INFRINGEMENT. Without limiting the generality of the foregoing, SUCH WARRANTIES DO NOT COVER: Coated incandescent light bulbs, fluorescent lights, heat lamp bulbs, coated halogen light bulbs, halogen heat lamp bulbs, xenon light bulbs, LED light tubes, glass components, and fuses; Product failure in booster tank, fin tube heat exchanger, or other water heating equipment caused by liming, sediment buildup, chemical attack, or freezing; or Product misuse, tampering or misapplication, improper installation, or application of improper voltage.

2. LIMITATION OF REMEDIES AND DAMAGES

Hatco's liability and Buyer's exclusive remedy hereunder will be limited solely, at Hatco's option, to repair or replacement using new or refurbished parts or Product by Hatco or a Hatco-authorized service agency (other than where Buyer is located outside of the United States, Canada, United Kingdom, or Australia, in which case Hatco's liability and Buyer's exclusive remedy hereunder will be limited solely to replacement of part under warranty) with respect to any claim made within the applicable warranty period referred to above. Hatco reserves the right to accept or reject any such claim in whole or in part. In the context of this Limited Warranty, "refurbished" means a part or Product that has been returned to its original specifications by Hatco or a Hatco-authorized service agency. Hatco will not accept the return of any Product without prior written approval from Hatco, and all such approved returns shall be made at Buyer's sole expense. HATCO WILL NOT BE LIABLE, UNDER ANY CIRCUMSTANCES, FOR CONSEQUENTIAL OR INCIDENTAL DAMAGES, INCLUDING BUT NOT LIMITED TO LABOR COSTS OR LOST PROFITS RESULTING FROM THE USE OF OR INABILITY TO USE THE PRODUCTS OR FROM THE PRODUCTS BEING INCORPORATED IN OR BECOMING A COMPONENT OF ANY OTHER PRODUCT OR GOODS.

Informations Importantes pour le Propriétaire	12	Mode d'emploi	18
Introduction	12	Généralités.....	18
Consignes de Sécurité Importantes	13	Maintenance	19
Description du Modèle	14	Généralités.....	19
Désignation du Modèle	14	Nettoyage quotidien.....	19
Caractéristiques Techniques	15	Options et accessoires	19
Configuration des Fiches.....	15	Guide de Dépannage	20
Tableau des valeurs nominales électriques.....	15	Garantie Limitée	21
Dimensions	15		
Installation	16		
Généralités.....	16		
Installation d'un modèle intégré	16		

INFORMATIONS IMPORTANTES POUR LE PROPRIÉTAIRE

Noter le numéro de modèle, le numéro de série (L'étiquette des caractéristiques techniques se situe au dos de l'appareil), le voltage et la date d'achat de votre appareil ci-dessous. Veuillez avoir cette information à portée de la main si vous appelez Hatco pour assistance.

Modèle No. _____

Numéro de série _____

Voltage _____

Date d'achat _____

Enregistrez Votre Appareil!

Remplissez la garantie en ligne pour éviter les retards pour faire jouer la garantie. Accédez au site Web Hatco www.hatcocorp.com, sélectionnez le menu déroulant Parts & Service, puis cliquez sur Warranty Registration.

Horaires

ouvrables: 7h00 à 17h00
Heure du Centre des États-Unis (CST)
(Horaires d'été : juin à septembre—
7h00 à 17h00 CST du lundi au jeudi
7h00 à 16h00 CST le vendredi)

Téléphone : 800-558-0607; 414-671-6350

Courriel : partsandservice@hatcocorp.com



Service d'assistance et de pièces de rechange disponible 7j/7, 24h/24 aux États-Unis et au Canada en composant le 800-558-0607.

Des renseignements supplémentaires sont disponibles sur notre site Web à www.hatcocorp.com.

INTRODUCTION

Les puits chauffants ronds d'Hatco sont spécialement conçus pour cuire ou contenir une grande variété d'aliments tels que les soupes, les plats au curry, les sauces et différentes garnitures. Les aliments devant être cuits ou maintenus au chaud sont placés dans un récipient qui est chauffé par une plaque chauffante. La température de l'élément chauffant est surveillée par un contrôleur électronique pour des résultats optimaux. La chaleur est répartie uniformément à travers l'appareil afin de garder les aliments aux températures désirées, et le design isolant en acier inoxydable permet un entretien facile ainsi qu'une performance durable.

Tous les appareils sont équipés d'un tableau de contrôle comprenant trois consignes de températures de 49°C (120°F) à 100°C (212°F), et d'un mode d'économie d'énergie qui économise l'électricité pendant les heures creuses.

Les puits chauffants ronds d'Hatco sont d'une qualité leur permettant de répondre aux exigences du secteur de la restauration et de fournir des années de fonctionnement sans incident. Les éléments de réchaud sont garantis un an contre la casse et le surmenage électrique.

Les puits chauffants ronds est un produit issu d'une recherche intensive et de tests sur terrain. Les matériaux utilisés ont été sélectionnés pour une longévité maximum, une présentation attrayante ainsi qu'une performance optimum. Chaque appareil est entièrement inspecté et testé avant livraison.

Ce manuel fournit les instructions d'installation, de sécurité et de fonctionnement du les puits chauffants ronds. Nous vous recommandons de lire toutes les instructions d'installation, de sécurité et de fonctionnement avant l'installation et la mise en marche de votre puits chauffants ronds.

Les consignes de sécurité qui apparaissent dans ce manuel sont identifiées par les mots indicateurs suivants :

AVERTISSEMENT

AVERTISSEMENT indique une situation dangereuse qui, si elle n'est pas évitée, peut provoquer la mort ou des blessures graves.

ATTENTION

ATTENTION indique une situation dangereuse qui, si elle n'est pas évitée, peut provoquer des blessures légères ou moyennes.

AVIS

AVIS est utilisé pour des questions sans rapport avec des blessures corporelles.



Lisez l'information de sécurité importante suivante avant d'utiliser cet équipement pour éviter des dommages ou la mort sérieux et pour éviter d'endommager l'équipement ou la propriété.

AVERTISSEMENT

DANGER DE DÉCHARGE ÉLECTRIQUE :

- Brancher l'appareil sur une prise de courant avec terre de tension, de format et de configuration des broches corrects. Si la fiche et la prise ne se correspondent pas, s'adresser à un électricien qualifié pour déterminer et installer une prise de courant de format et de tension corrects.
- Mettre hors tension en utilisant l'interrupteur, débrancher le cordon d'alimentation et laisser l'unité refroidir avant d'effectuer tout nettoyage, tout réglage ou tout entretien.
- NE PAS immerger l'appareil ni le saturer d'eau. L'appareil n'est pas étanche à l'eau. Ne pas le faire fonctionner s'il a été immergé ou saturé d'eau.
- L'appareil n'est pas à l'épreuve des intempéries. Placer l'appareil à l'intérieur à une température ambiante de 21°C minimum.
- Ne pas nettoyer à la vapeur ni utiliser trop d'eau sur l'appareil.
- Cet appareil n'est pas étanche aux jets. Ne pas utiliser de jet sous pression pour nettoyer l'appareil.
- Ne pas tirer l'appareil par son cordon électrique.
- Ne pas utiliser l'appareil si le cordon est endommagé ou usé.
- Ne pas tenter de réparer ni de changer un cordon électrique endommagé. Ce cordon doit être changé par Hatco, par un réparateur Hatco agréé ou par une personne de qualifications comparables.
- Ne pas utiliser l'appareil pour y faire fondre ou y mettre des glaçons. Risque de condensation qui posera un danger électrique et causera des blessures et/ou endommagera l'appareil. Les dégâts causés par la condensation ne sont pas couverts par la garantie.
- Pour les réparations, utiliser exclusivement des pièces de rechange Hatco d'origine. Utilisez des pièces détachées Hatco authentiques sous peine d'annuler toutes les garanties et d'exposer l'utilisateur à des tensions électriques dangereuses pouvant entraîner une électrocution ou des brûlures. Les pièces de rechange Hatco d'origine sont conçues pour fonctionner sans danger dans les environnements dans lesquels elles sont utilisées. Certaines pièces de rechange génériques ou de second marché ne présentent pas les caractéristiques leur permettant de fonctionner sans danger dans la matériel Hatco.

DANGER D'INCENDIE :

- Placer l'appareil à un minimum de 25 mm des parois et matières combustibles. Si une distance sûre n'est pas maintenue, la chaleur peut provoquer une combustion ou une altération de couleur.
- Ne pas utiliser de produits chimiques puissants tels que de l'eau de Javel (ou des nettoyeurs contenant de l'eau de Javel), des nettoyeurs pour four ou des solutions nettoyantes inflammables pour nettoyer cet appareil.

Cet appareil ne contient aucune pièce réparable par l'utilisateur. Si cet appareil doit être réparé, contacter un réparateur Hatco agréé ou le Service après-vente Hatco au 800-558-0607 ou 414-671-6350.

AVERTISSEMENT

Assurez-vous que tous les opérateurs ont été formés à l'utilisation sûre et correcte de l'appareil.

Cet appareil ne doit pas être utilisé par des enfants ou des personnes avec des capacités physiques, sensorielles ou mentales diminuées. Assurez-vous que les enfants sont bien surveillés et tenez-les à l'écart de l'appareil.

ATTENTION

DANGER DE BRÛLURE :

- Certaines surfaces extérieures de l'appareil deviennent chaudes. Toucher ces zones de l'appareil avec précaution.
- L'eau chaude dans l'appareil pourra causer des brûlures. Laisser refroidir l'appareil avant de le vider ou de le nettoyer.

Placer l'appareil sur un plan de travail de hauteur correcte à un endroit qui convient pour son utilisation. Le support doit être de niveau pour éviter toute chute accidentelle du grille-pain ou de son contenu et suffisamment solide pour résister au poids de l'appareil et de son contenu.

Ne pas déplacer l'appareil quand il contient des aliments. L'éteindre, enlever les aliments et laisser complètement refroidir avant de déplacer ou nettoyer.

Les huiles de fabrication standard et approuvées pourront fumer pendant 30 minutes après l'allumage initial. C'est un problème temporaire. Utiliser l'appareil à vide jusqu'à dissipation de la fumée.

AVIS

Utiliser seulement des nettoyeurs non abrasifs et des chiffons doux. Les chiffons et nettoyeur abrasifs pourraient érafler la finition de l'unité, entachant son apparence et la rendant susceptible à l'accumulation de saleté.

Ne pas poser l'appareil sur le côté du panneau de commande sous peine de l'endommager.

Les panneaux de commande montés à distance doivent être au minimum à 152 mm (6") de l'appareil (1 420 mm [56"] maximum). Toute installation plus proche risque d'abîmer le système électrique du panneau de commande sous l'effet de la chaleur.

Ne pas utiliser l'appareil à un endroit exposé à des températures excessives ou de la graisse de grils, friteuses, etc. Les températures excessives risquent d'abîmer l'appareil.

L'unité est conçue et recommandée pour fonctionner encadrée ou posée sur un comptoir en métal. La garantie Hatco ne couvre pas les dommages faits au comptoir. Pour les autres surfaces, vérifier auprès de leurs fabricants que le matériau peut supporter de façon durable des températures atteignant 100 °C (212 °F).

Ne pas utiliser de force excessive pour serrer les vis sur les modèles encadrés. Risque d'endommagement de l'appareil et/ou du comptoir.

Ne pas faire fonctionner l'unité à vide (sans nourriture ni eau dans le puits). L'unité pourrait être endommagée.

Tous les modèles

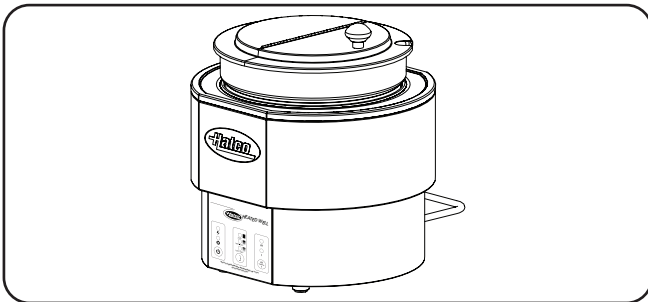
Tous les puits chauffants ronds sont fiables et polyvalents. En plus de garder les aliments au chaud avant service comme le fait le Heated Well, les aliments peuvent aussi être cuits à la vapeur grâce à un kit optionnel à adapter.

NOTE: Lorsque l'unité contient déjà des aliments chauds, ne pas ajouter d'aliments froids à l'unité pour les réchauffer.

Modèle RHW-1

Le modèle RHW-1 est équipé d'un seul élément de chauffage qui garde les aliments au chaud ou permet la cuisson de soupes ou de sauces. L'appareil est fourni avec un couvercle à charnière et un bac rond de 10 litres (11 qt) en acier inoxydable spécialement conçus pour celui-ci.

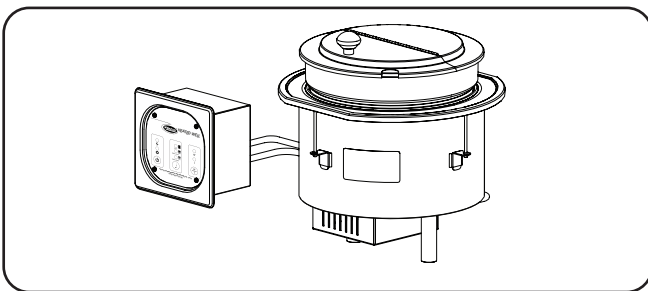
NOTA: Capacité réelle du bac—6 litres (6-1/4 qt) pour application à ébullition ou 8 litres (8-1/2 quarts) pour application de réchauffement.



Modèle RHW-1

Modèle RHW-1B

Le modèle RHW-1B est équipé comme le RHW-1, la différence étant que ce modèle est un appareil d'assemblage équipé d'un tableau de contrôle à distance.

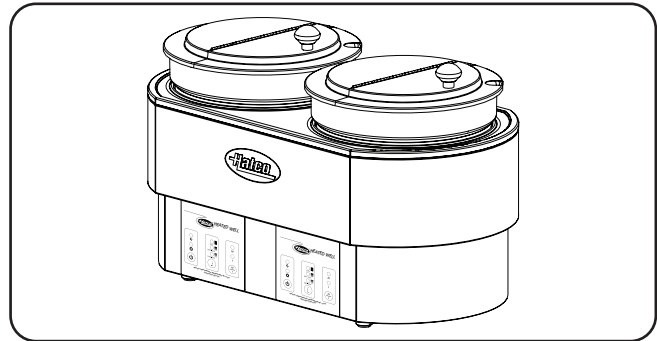


Modèle RHW-1B

Modèle RHW-2

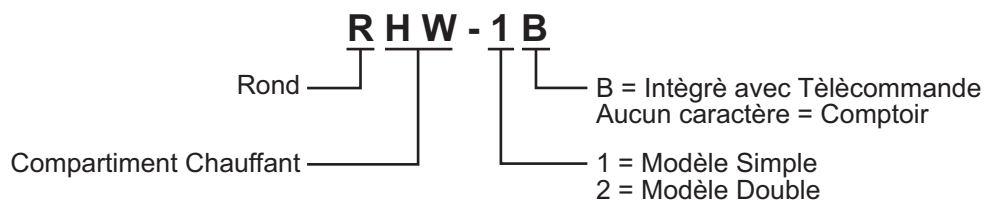
Le modèle RHW-2 est équipé de deux éléments chauffants à commande individuelle pour garder la nourriture au chaud ou cuisiner des soupes ou des sauces. L'appareil est fourni avec deux couvercles à charnière et bacs ronds de 10 litres (11 qt) en acier inoxydable spécialement conçus pour celui-ci.

NOTA: Capacité réelle du bac—6 litres (6-1/4 qt) pour application à ébullition ou 8 litres (8-1/2 quarts) pour application de réchauffement.



Modèle RHW-2

DÉSIGNATION DU MODÈLE



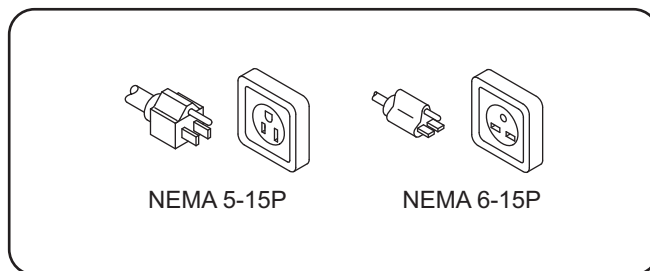
Configuration des fiches

Les appareils sont livrés avec un cordon électrique avec fiche. Différentes fiches sont fournies selon les applications.

AVERTISSEMENT

DANGER DE DÉCHARGE ÉLECTRIQUE : Brancher l'appareil sur une prise de courant avec terre de tension, de format et de configuration des broches corrects. Si la fiche et la prise ne se correspondent pas, s'adresser à un électricien qualifié pour déterminer et installer une prise de courant de format et de tension corrects.

NOTA : L'étiquette des caractéristiques techniques se situe au dos l'appareil. Se reporter à l'étiquette du numéro de série et des données électriques de l'appareil.



Configuration des fiches

NOTA: Prise non fournie par Hatco.

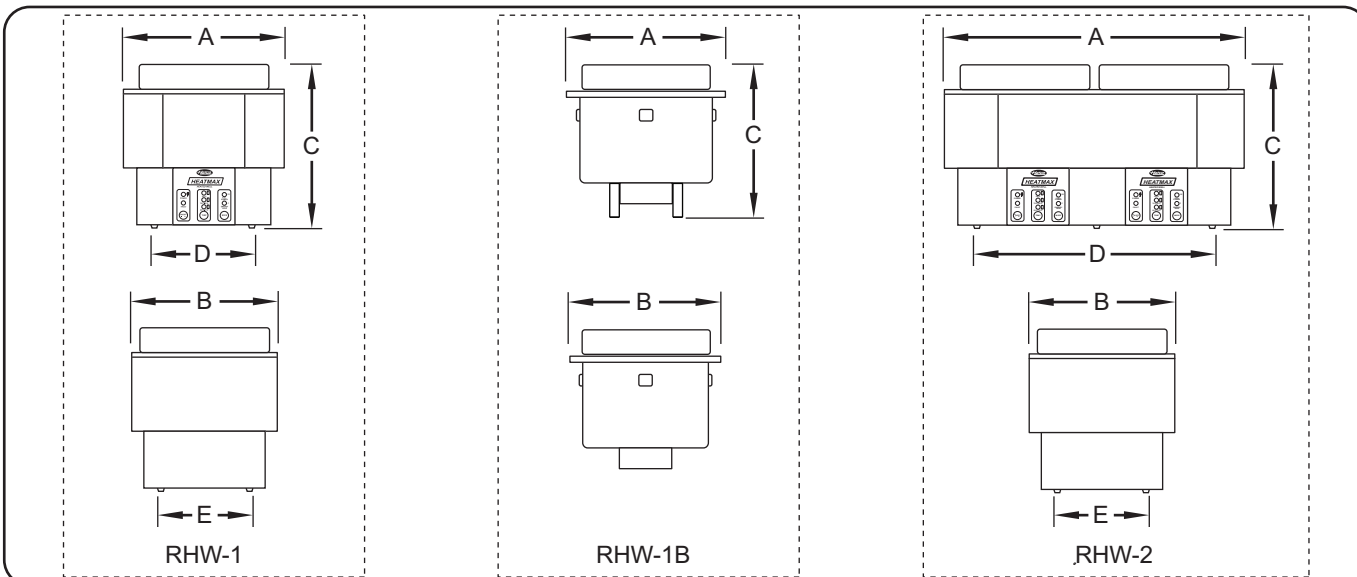
Tableau des valeurs nominales électriques

Modèle	Tension	Intensité	Amps	Configuration de Fiches	Poids d'embarquement
RHW-1	120	1250	10.4	NEMA 5-15P	10 kg (21 lbs.)
RHW-1B	120	1250	10.4	NEMA 5-15P	10 kg (21 lbs.)
RHW-2	208–240	2045–2725	9.8–11.3	NEMA 6-15P	17 kg (36 lbs.)

NOTA: Le poids d'embarquement comprend l'emballage.

Dimensions

Modèle	Largeur (A)	Profondeur (B)	Hauteur (C)	Empattement Largeur (D)	Empattement Profondeur (E)
RHW-1	359 mm (14-1/8")	330 mm (13")	355 mm (14")	187 mm (7-3/8")	232 mm (9-1/8")
RHW-1B	359 mm (14-1/8")	330 mm (13")	341 mm (13-7/16")	N/A	N/A
RHW-2	630 mm (24-3/4")	330 mm (13")	355 mm (14")	397 mm (15-5/8")	257 mm (10-1/8")



Généralités

Les puits chauffants ronds sont expédiés de l'usine avec la plupart des composants assemblés et prêts à l'emploi. Faire attention lors du déballage pour éviter d'endommager l'appareil et ses composants.

AVERTISSEMENT

DANGER DE DÉCHARGE ÉLECTRIQUE : L'appareil n'est pas à l'épreuve des intempéries. Placer l'appareil à l'intérieur à une température ambiante de 21°C minimum.

DANGER D'INCENDIE : Placer l'appareil à un minimum de 25 mm des parois et matières combustibles. Si une distance sûre n'est pas maintenue, la chaleur peut provoquer une combustion ou une altération de couleur.

ATTENTION

Placer l'appareil sur un plan de travail de hauteur correcte à un endroit qui convient pour son utilisation. Le support doit être de niveau pour éviter toute chute accidentelle du grille-pain ou de son contenu et suffisamment solide pour résister au poids de l'appareil et de son contenu.

Ne pas déplacer l'appareil quand il contient des aliments. L'éteindre, enlever les aliments et laisser complètement refroidir avant de déplacer ou nettoyer.

AVIS

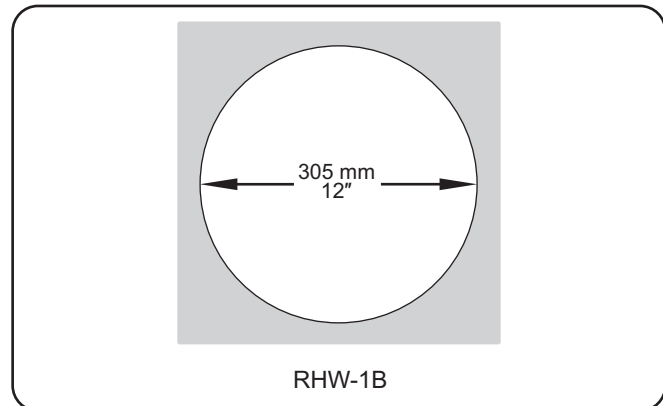
Utiliser uniquement des produits nettoyants non abrasifs. Les produits nettoyants abrasifs peuvent rayer la finition de l'appareil, ce qui altère son apparence et le rend plus susceptible d'accumuler la saleté.

Ne pas utiliser l'appareil à un endroit exposé à des températures excessives ou de la graisse de grills, friteuses, etc. Les températures excessives risquent d'abîmer l'appareil.

1. Retirer l'appareil de sa boîte.
2. Retirer la pochette d'informations.
3. Retirer le ruban et le film de protection de toutes les surfaces de l'appareil.
4. Si l'appareil est un modèle sur comptoir, le placer à l'endroit souhaité.
 - Placer l'appareil à un endroit où la température ambiante est constante et de 21 °C (70 °F) minimum. Éviter les endroits susceptibles d'activer les mouvements ou les courants d'air (proximité des ventilateurs ou hottes aspirantes et conduites de climatisation).
 - S'assurer que l'appareil est sur un plan de travail de hauteur correcte à un endroit qui convient pour son utilisation.
 - S'assurer que le plan de travail est de niveau et suffisamment solide pour résister au poids de l'appareil et des produits alimentaires.
 - Vérifier que tous les pieds sous l'appareil reposent solidement sur le plan de travail.
5. Lorsque l'appareil est un modèle intégré, suivez les procédures indiquées au chapitre « Installation d'un modèle intégré » de cette section.

Installation d'un modèle intégré

1. Découper dans le comptoir l'ouverture appropriée pour l'appareil installé (voir ci dessous).



Dimensions des Découpes de Comptoir

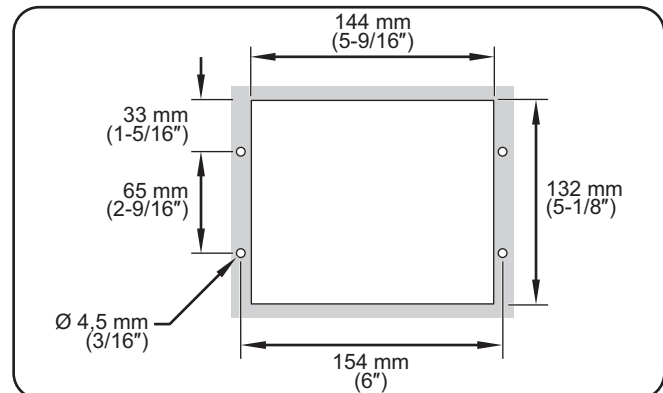
NOTA: Le comptoir doit être horizontal pour garantir la vidange correcte du compartiment rectangulaire.

AVIS

Les panneaux de commande montés à distance doivent être au minimum à 152 mm (6") de l'appareil (1 420 mm [56"] maximum). Toute installation plus proche risque d'abîmer le système électrique du panneau de commande sous l'effet de la chaleur.

Le boîtier de commande à distance doit être installé en dehors de la zone de chauffe. Le positionnement du boîtier de commande à l'intérieur de la zone chauffée entraînera la surchauffe, le dysfonctionnement et la panne des commandes.

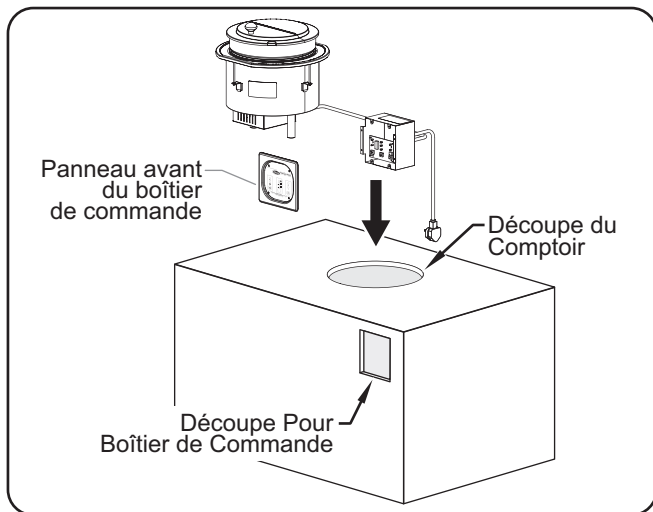
2. Découper l'ouverture appropriée pour le boîtier de commande dans une surface verticale à au moins 152 mm (6") de l'appareil, mais pas à plus de 1 420 mm (56").



Dimensions des Découpes du Boîtier de Commande

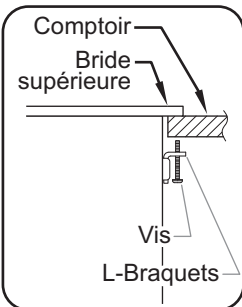
NOTA: Le cordon électrique entre l'appareil et le boîtier de commande mesure 1 420 mm (56") de longueur.

3. Guidez les cordons électriques et le boîtier de commande dépourvu de son panneau avant dans la découpe du comptoir, puis appuyez pour que le dispositif s'enclenche dans la découpe.



Installation de l'appareil

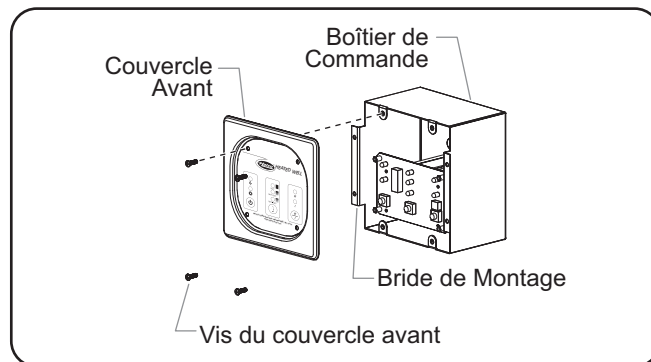
4. Assemblez les L-braquets sous l'appareil.
5. Serrez les vis des L-braquets jusqu'à ce que les collerettes du dessus s'aplatissent sur le comptoir.



AVIS

Ne pas utiliser de force excessive pour serrer les vis sur les modèles encastrés. Risque d'endommagement de l'appareil et/ou du comptoir.

6. Installer le boîtier de commande dans sa découpe :
 - a. Enfiler une des brides de montage sur le boîtier de commande par la découpe. Basculez l'autre rebord et faites-le glisser dans la découpe.
 - b. Aligner les trous de montage des brides de montage sur ceux des vis de la surface d'installation, et fixer le boîtier de commande à la surface par deux vis M4 (non fournies).
 - c. Installer le couvercle avant sur le boîtier de commande à l'aide des quatre vis du couvercle.



Installing the Remote Mounted Control Box

7. Brancher le cordon d'alimentation sur une prise électrique correctement mise à la terre du type, de la taille et de la tension corrects. Pour des détails, voir la section CARACTÉRISTIQUES TECHNIQUE.

Généralités

Procéder comme suit pour utiliser les puits chauffants ronds.

⚠ AVERTISSEMENT

Lire tous les messages de sécurité de la section Consignes de sécurité importantes avant d'utiliser ce matériel.

AVIS

Ne pas faire fonctionner l'unité à vide (sans nourriture ni eau dans le puits). L'unité pourrait être endommagée.

NOTA: Pour un transfert de chaleur adapté, faites fonctionner les séries RHW (puits chauffants ronds), avec la poêle spécialement fournie. Cette poêle est creuse afin de correspondre à la forme de l'élément chauffant.

1. Brancher l'appareil sur une prise électrique correctement mise à la terre du type, de la taille et de la tension corrects. Voir des détails à la section CARACTÉRISTIQUES TECHNIQUES.

- L'indicateur de Puissance (⚡) s'allume en rouge lorsque l'alimentation est disponible à l'appareil.

2. Placer un récipient/un faitout rempli d'aliments ou d'eau dans l'appareil.

NOTA: Ne pas utiliser l'appareil sans récipient à aliments ou récipient vide/sec. L'appareil surchauffera et passera en mode Faille.

3. Appuyer sur le Bouton marche/arrêt (⏻) pour allumer l'appareil.

- L'indicateur de Puissance (⚡) s'allume en vert lorsqu'il est sous tension et chauffe.

NOTA: l'indicateur de Faille (⊗) sera en marche et l'appareil sonnera lorsqu'il sera en surchauffe, ou si le détecteur de température court circuit. Lorsque cela se produit l'alimentation est automatiquement coupée jusqu'à ce que la température retourne à la normale ou jusqu'à ce que le détecteur de température fonctionne normalement.

⚠ ATTENTION

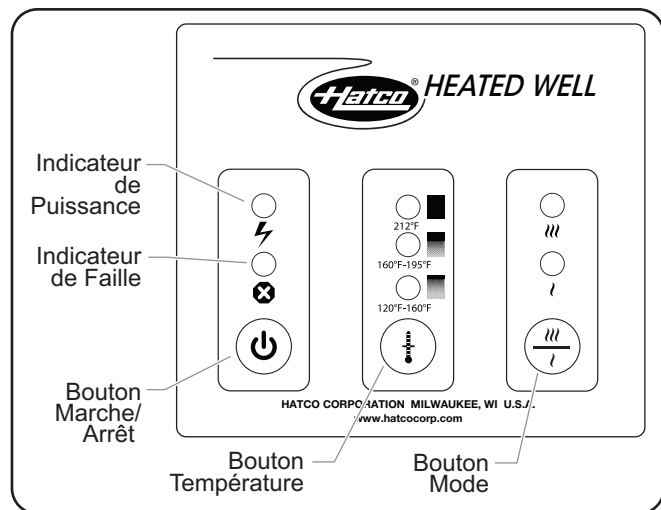
DANGER DE BRÛLURE : Certaines surfaces extérieures de l'appareil deviennent chaudes. Toucher ces zones de l'appareil avec précaution.

4. Appuyer sur le Bouton température (⦿) pour faire défiler les températures et en choisir une. Le voyant au-dessus du réglage de température choisi s'allume. Trois réglages de température sont proposés :

- 91–100°C (195–212°F) — Réchauffage à la vapeur et remise en température
- 71–91°C (160–195°F) — Chauffage/maintien de la nourriture
- 49–71°C (120–160°F) — Chauffage/maintien de la nourriture

5. Appuyer sur le Bouton mode (⦿) pour faire défiler les modes de chauffe et en choisir un. Le voyant au-dessus du mode choisi s'allume. Deux modes de chauffe sont proposés :

- Mode pleine puissance (⦿) — L'appareil fonctionne à puissance maximale.
- Mode de faible puissance (⦿) — L'appareil fonctionne à 50 % de sa puissance maximale pour réchauffer les aliments et éviter des les brûler.



Panneau de commande

Généralités

Les puits chauffants ronds sont conçus pour une durabilité et une performance maximum et un minimum d'entretien.

AVERTISSEMENT

DANGER DE DÉCHARGE ÉLECTRIQUE :

- Mettre hors tension en utilisant l'interrupteur, débrancher le cordon d'alimentation et laisser l'unité refroidir avant d'effectuer tout nettoyage, tout réglage ou tout entretien.
- **NE PAS immerger l'appareil ni le saturer d'eau. L'appareil n'est pas étanche à l'eau. Ne pas le faire fonctionner s'il a été immergé ou saturé d'eau.**
- **Ne pas nettoyer à la vapeur ni utiliser trop d'eau sur l'appareil.**
- **Cet appareil n'est pas étanche aux jets. Ne pas utiliser de jet sous pression pour nettoyer l'appareil.**
- **Pour les réparations, utiliser exclusivement des pièces de rechange Hatco d'origine. Utilisez des pièces détachées Hatco authentiques sous peine d'annuler toutes les garanties et d'exposer l'utilisateur à des tensions électriques dangereuses pouvant entraîner une électrocution ou des brûlures. Les pièces de rechange Hatco d'origine sont conçues pour fonctionner sans danger dans les environnements dans lesquels elles sont utilisées. Certaines pièces de rechange génériques ou de second marché ne présentent pas les caractéristiques leur permettant de fonctionner sans danger dans la matériel Hatco.**

DANGER D'INCENDIE: Ne pas utiliser de produits chimiques puissants tels que de l'eau de Javel (ou des nettoyeurs contenant de l'eau de Javel), des nettoyeurs pour four ou des solutions nettoyantes inflammables pour nettoyer cet appareil.

Cet appareil ne contient aucune pièce réparable par l'utilisateur. Si cet appareil doit être réparé, contacter un réparateur Hatco agréé ou le Service après-vente Hatco au 800-558-0607 ou 414-671-6350.

Nettoyage quotidien

Pour préserver la finition de l'appareil et maintenir la performance, il est recommandé de nettoyer tous les jours l'appareil.

AVIS

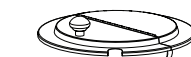
Utiliser seulement des nettoyeurs non abrasifs et des chiffons doux. Les chiffons et nettoyeur abrasifs pourraient érafler la finition de l'unité, entachant son apparence et la rendant susceptible à l'accumulation de saleté.

1. Pour éteindre l'appareil, débrancher le cordon d'alimentation et laisser refroidir.
2. Enlever les récipients et autres accessoires pour les nettoyer correctement au lave-vaisselle ou dans l'évier.
3. Essuyer toutes les surfaces métalliques à l'aide d'un chiffon doux humide. Les taches tenaces s'enlèvent avec un bon nettoyeur non abrasif. Les zones difficiles d'accès doivent être nettoyées avec une petite brosse et du savon doux.
4. Essuyer l'unité entière à l'aide d'un chiffon sec non abrasif.

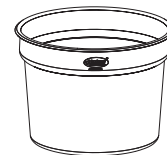
OPTIONS ET ACCESSOIRES

RHW-11QT-LID-HGCouvercle rond pour bac de 10 litres (11 qt) avec bouton en plastique

RHW-11QT-POTBac rond de 10 litres (11 qt.) — 221 x 203 mm (8-11/16" x 8")



RHW-11QT-LID-HG



RHW-11QT-POT

Accessoires RHW

⚠ AVERTISSEMENT

La réparation de cet appareil doit être confiée exclusivement à du personnel qualifié. Les réparations par des personnes non qualifiées peuvent provoquer des décharges électriques et des brûlures.

⚠ AVERTISSEMENT

DANGER DE DÉCHARGE ÉLECTRIQUE: Mettre hors tension en utilisant l'interrupteur, débrancher le cordon d'alimentation et laisser l'unité refroidir avant d'effectuer tout nettoyage, tout réglage ou tout entretien.

Symptôme	Cause Probable	Solution
Appareil pas assez chaud.	Point de consigne de température de la base trop bas.	Utiliser le Bouton température pour monter la température. Utilisez le Bouton mode pour passer du mode faible puissance au mode pleine puissance.
	Mauvais pot installé dans l'appareil.	Utiliser seulement les pots ronds Hatco spécialement conçus pour les modèles RHW. Les autres pots risquent de ne pas procurer le contact adéquat entre l'appareil et le pot.
	L'élément chauffant ne fonctionne pas.	Contactez votre agent de maintenance agréé ou Hatco pour assistance.
	Le thermostat ne marche pas correctement.	Contactez votre agent de maintenance agréé ou Hatco pour assistance.
	Tension fournie incorrecte.	Vérifier si la tension correcte est fournie à l'appareil. Une basse tension d'alimentation engendrera une chauffe insuffisante.
Appareil trop chaud.	Point de consigne de température de base trop élevé.	Utiliser le Bouton température pour baisser la température. Utilisez le Bouton mode pour passer du mode pleine puissance au mode faible puissance.
	Contrôle de température ne fonctionne pas correctement.	Contactez votre agent de maintenance agréé ou Hatco pour assistance.
	Tension fournie est incorrecte.	Vérifier si la tension correcte est fournie à l'appareil. Une haute tension d'alimentation engendrera la surchauffe et l'endommagement possible de l'appareil.
Pas de chaleur.	Appareil hors tension.	Appuyer sur le Bouton marche/arrêt pour allumer l'appareil. Suivre la procédure à la section MODE D'EMPLOI.
	Le coupe-circuit a disjoncté.	Réarmer le coupe-circuit. Si le coupe-circuit continue à se déclencher, contacter un agent technique agréé ou Hatco pour assistance.
	Régulateur de température numérique défectueux.	Contactez votre agent de maintenance agréé ou Hatco pour assistance.
	Élément chauffant de la base grillé.	Contactez votre agent de maintenance agréé ou Hatco pour assistance.
	Interrupteur de sécurité déclenché.	S'assurer que le compartiment est propre et rempli d'eau jusqu'au niveau adéquat. Un dépôt très important et/ou le fonctionnement de l'unité sans eau peut entraîner une surchauffe et déclencher l'interrupteur de sécurité.

Vous avez des questions en ce qui concerne les pannes?

Si le problème persiste, veuillez contacter l'agence d'entretien agréée Hatco la plus proche ou Hatco pour obtenir une assistance. Pour trouver l'agence d'entretien la plus proche, rendez-vous sur le site Internet de Hatco (www.hatcocorp.com) et cliquez sur Trouver un agent d'entretien, ou contactez l'équipe d'entretien et de pièces détachées de Hatco :

Numéro de

téléphone: 800-558-0607 ou 414-671-6350

Courriel: partsandservice@hatcocorp.com

1. GARANTIE DU PRODUIT

Hatco garantit que les produits qu'il fabrique (les « Produits ») sont exempts de défauts de matériel et de fabrication, dans des conditions normales d'utilisation et de maintenance, pour une période d'un (1) an à partir de la date d'achat à condition que l'appareil soit installé et entretenu conformément aux instructions écrites de Hatco ou 18 mois après la date de l'expédition par Hatco. L'acheteur doit prouver la date d'achat du Produit par l'enregistrement du produit auprès de Hatco ou par d'autres moyens satisfaisants pour Hatco, à sa seule discrétion.

Hatco garantit que les composants du Produit suivants sont exempts de défauts de matériel et de fabrication à partir de la date d'achat (sous réserve des conditions précédentes) pour la ou les périodes de temps et en fonction des conditions listées ci-dessous :

a) Garantie d'un (1) an pour les pièces et la main-d'œuvre PLUS un an (1) supplémentaire pour les pièces uniquement :

Éléments du grille-pain à convoyeur (enveloppe métallique)
 Éléments des tiroirs chauffants (enveloppe métallique)
 Tiroirs, roues et glissières des tiroirs chauffants
 Éléments des rampes chauffantes (enveloppe métallique)
 Éléments des vitrines chauffantes
 (enveloppe métallique, air chauffant)
 Éléments des armoires de stockage
 (enveloppe métallique, air chauffant)
 Éléments des compartiments chauffants —
 série HW et HWB (enveloppe métallique)

b) Garantie d'un (1) an pour les pièces et la main-d'œuvre PLUS quatre (4) ans pour les pièces uniquement :

Cuves 3CS et FR

c) Garantie d'un (1) an pour les pièces et la main-d'œuvre PLUS neuf (9) ans pour les pièces uniquement :

Cuves des appareils de chauffage d'appoint électriques
 Cuves des appareils de chauffage d'appoint à gaz

d) Garantie de quatre-vingt-dix (90) jours pour les pièces uniquement :

Pièces de rechange

LES GARANTIES PRÉCÉDENTES SONT EXCLUSIVES ET REMPLACENT TOUTES AUTRES GARANTIES, EXPRESSES OU IMPLICITES, COMPRENANT, MAIS NE SE LIMITANT PAS À, TOUTES GARANTIES IMPLICITES DE QUALITÉ MARCHANDE OU DE FINALITÉ PARTICULIÈRE OU TOUTS BREVETS OU TOUTES AUTRES ATTEINTES AUX DROITS DE LA PROPRIÉTÉ INTELLECTUELLE. Sans restreindre la portée générale des énoncés précédents, CES GARANTIES NE COUVRENT PAS : Ampoules d'éclairage à incandescence enduites, lumières fluorescentes, ampoules de lampes chauffantes, ampoules d'éclairage à halogène enduites, ampoules de lampes chauffantes au xénon, tubes d'éclairage DEL, composants en verre et fusibles ; défaut de produit dans la cuve d'un appareil de chauffage d'appoint, dans un échangeur de chaleur à tubes à ailettes ou tout autre équipement de chauffage d'eau causé par la calcification, l'accumulation de sédiments, la réaction d'un produit chimique ou le gel ; ou une mauvaise utilisation, une manipulation ou une mauvaise application, une installation inappropriée du Produit ou l'utilisation d'une tension inappropriée.

2. LIMITES DES RECOURS ET DES DOMMAGES

La responsabilité de Hatco et la seule voie de recours de l'Acheteur prévues par les présentes seront limitées exclusivement, au gré de Hatco, à la réparation ou au remplacement à l'aide de pièces ou de Produits nouveaux ou remis à neuf par Hatco ou un centre de réparation agréé par Hatco (sauf si l'Acheteur se situe hors des États-Unis, du Canada, du Royaume-Uni ou de l'Australie, auquel cas la responsabilité de Hatco et la seule voie de recours de l'Acheteur seront limitées exclusivement au remplacement des pièces concernées par la garantie) à l'égard de toute revendication effectuée dans les délais de garantie applicables mentionnés ci-dessus. Hatco se réserve le droit d'accepter ou de rejeter toute réclamation en partie ou dans son intégralité. Dans le cadre de cette Garantie limitée, « remis à neuf » signifie une pièce ou un Produit dont les caractéristiques techniques d'origine ont été restaurées par Hatco ou un centre de réparation agréé par Hatco. Hatco n'acceptera aucun retour de Produits sans qu'il n'ait auparavant donné son accord écrit, et tous ces retours approuvés doivent être effectués aux seuls frais de l'Acheteur. HATCO NE SERA PAS TENU RESPONSABLE, DANS AUCUNE CIRCONSTANCE, DES DOMMAGES CONSÉCUTIFS OU INDIRECTS, COMPRENANT, MAIS NE SE LIMITANT PAS À, LES COÛTS DE MAIN-D'ŒUVRE OU PERTES DE PROFITS DUS À UNE UTILISATION OU À UNE IMPOSSIBILITÉ D'UTILISER LES PRODUITS OU DUS AU FAIT QUE LES PRODUITS ONT ÉTÉ INTÉGRÉS DANS OU QU'ILS SONT DEVENUS UN COMPOSANT DE TOUT AUTRE PRODUIT OU BIEN.

AUTHORIZED PARTS DISTRIBUTORS • AUTORISÉS DISTRIBUTEURS DE PIÈCES

ALABAMA

Jones McLeod Appl. Svc.
Birmingham 205-251-0159

ARIZONA

Service Solutions Group
Phoenix 602-234-2443

Byassee Equipment Co.
Phoenix 602-252-0402

CALIFORNIA

Industrial Electric
Commercial Parts & Service, Inc.
Huntington Beach 714-379-7100

Chapman Appl. Service
San Diego 619-298-7106

P & D Appliance
Commercial Parts & Service, Inc.
S. San Francisco 650-635-1900

COLORADO

Hawkins Commercial Appliance
Englewood 303-781-5548

FLORIDA

Whaley Foodservice Repair
Jacksonville 904-725-7800

Whaley Foodservice Repair
Orlando 407-757-0851

B.G.S.I.
Pompano Beach 954-971-0456

Comm. Appliance Service
Tampa 813-663-0313

GEORGIA

TWC Services
Mableton 770-438-9797

Heritage Service Group
Norcross 866-388-9837

Southeastern Rest. Svc.
Norcross 770-446-6177

HAWAII

Burney's Comm. Service, Inc.
Honolulu 808-848-1466

Food Equip Parts & Service
Honolulu 808-847-4871

ILLINOIS

Parts Town
Lombard 708-865-7278

Eichenauer Elec. Service
Decatur 217-429-4229

Midwest Elec. Appl. Service
Elmhurst 630-279-8000

Cone's Repair Service
Moline 309-797-5323

INDIANA

GCS Service
Indianapolis 800-727-8710

IOWA

Goodwin Tucker Group
Des Moines 515-262-9308

KENTUCKY

Service Solutions Group
Lexington 859-254-8854

Service Solutions Group
Louisville 502-451-5411

LOUISIANA

Chandlers Parts & Service
Baton Rouge 225-272-6620

MARYLAND

Electric Motor Service
Baltimore 410-467-8080

GCS Service
Silver Spring 301-585-7550

MASSACHUSETTS

Ace Service Co., Inc.
Needham 781-449-4220

MICHIGAN

Bildons Appliance Service
Detroit 248-478-3320

Commercial Kitchen Service
Bay City 989-893-4561

Midwest Food Equip. Service
Grandville 616-261-2000

MINNESOTA

GCS Service
Minnetonka 800-822-2303
x20365

MISSOURI

General Parts
Kansas City 816-421-5400

Commercial Kitchen Services
St. Louis 314-890-0700

Kaemmerlen Parts & Service
St. Louis 314-535-2222

NEBRASKA

Anderson Electric
Omaha 402-341-1414

NEVADA

Burney's Commercial
Las Vegas 702-736-0006

Hi. Tech Commercial Service
N. Las Vegas 702-649-4616

NEW JERSEY

Jay Hill Repair
Fairfield 973-575-9145

Service Plus
Flanders 973-691-6300

NEW YORK

Acme American Repairs, Inc.
Jamaica 718-456-6544

Alpro Service Co.
Maspeth 718-386-2515

Appliance Installation
Buffalo 716-884-7425

Duffy's Equipment Services, Inc.
Buffalo 800-836-1014

3Wire Northern
Plattsburgh 800-634-5005

Duffy's Equipment Services, Inc.
Sauquoit 800-836-1014

J.B. Brady, Inc.
Syracuse 315-422-9271

NORTH CAROLINA

Authorized Appliance
Charlotte 704-377-4501

OHIO

Akron/Canton Comm. Svc. Inc.
Akron 330-753-6634

Service Solutions Group
Cincinnati 513-772-6600

Commercial Parts and Service
Columbus 614-221-0057

Electrical Appl. Repair Service
Brooklyn Heights 216-459-8700

E. A. Wichman Co.
Toledo 419-385-9121

OKLAHOMA

Hagar Rest. Service, Inc.
Oklahoma City 405-235-2184

Krueger, Inc.
Oklahoma City 405-528-8883

OREGON

Ron's Service, Inc.
Portland 503-624-0890

PENNSYLVANIA

Elmer Schultz Services
Philadelphia 215-627-5401

FAST Comm. Appl. Service
Philadelphia 215-288-4800

Appliance Installation & Service
Pittsburgh 412-809-0244

K & D Service Co.
Harrisburg 717-236-9039

Electric Repair Co.
Reading 610-376-5444

RHODE ISLAND

Marshall Electric Co.
Providence 401-331-1163

SOUTH CAROLINA

Whaley Foodservice Repair
Lexington 803-996-9900

TENNESSEE

Camp Electric
Memphis 901-527-7543

TEXAS

GCS Service
Fort Worth 800-433-1804

Armstrong Repair Service
Houston 713-666-7100

Cooking Equipment Specialist
Mesquite 972-686-6666

Commercial Kitchen Repair Co.
San Antonio 210-735-2811

UTAH

La Monica's Rest. Equip. Service
Murray 801-263-3221

VIRGINIA

Daubers
Norfolk 757-855-4097

Daubers
Springfield 703-866-3600

WASHINGTON

3Wire Restaurant Appliance
Seattle 800-207-3146

WISCONSIN

A.S.C., Inc.
Madison 608-246-3160

A.S.C., Inc.
Milwaukee 414-543-6460

CANADA

ALBERTA

Key Food Equipment Service
Edmonton 780-438-1690

BRITISH COLUMBIA

Key Food Equipment Service
Vancouver 604-433-4484

Key Food Equipment Service
Victoria 250-920-4888

MANITOBA

Air Rite, Inc.
Winnipeg 204-895-2300

NEW BRUNSWICK

EMR Services, Ltd.
Moncton 506-855-4228

ONTARIO

R.G. Henderson Ltd.
Toronto 416-422-5580

Choquette - CKS, Inc.
Ottawa 613-739-8458

QUÉBEC

Choquette - CKS, Inc.
Montreal 514-722-2000

Choquette - CKS, Inc.
Québec City 418-681-3944

UNITED KINGDOM

Marren Group
Northants +44(0)1933 665313

HATCO CORPORATION

P.O. Box 340500

Milwaukee, WI 53234-0500 U.S.A.

800-558-0607 414-671-6350

partsandservice@hatcocorp.com

www.hatcocorp.com

Register your unit online!

See IMPORTANT OWNER INFORMATION
section for details.

S'inscrire en ligne!

Lisez la section INFORMATIONS IMPORTANTES
POUR LE PROPRIÉTAIRE pour plus de informations.