



Project \_\_\_\_\_  
 AIA # \_\_\_\_\_ SIS # \_\_\_\_\_  
 Item # \_\_\_\_\_ Quantity \_\_\_\_\_ C.S.I. Section 114000



DEALERS CHOICE G-SERIES

## G-SERIES

### 2-Sections Hot Food Holding Cabinets Reach-In Self-Contained Solid Door(s)



#### STANDARD PRODUCT FEATURES

- High Performance, Heating System Operates At 140° to 180°F
- Reliable Microprocessor Control With LED Temperature Display
- Load-Sure Guard Prevents Problems From Improper Loading
- Durable All Metal Construction
- Stainless Steel Front & Doors, Anodized Aluminum Sides & Interior
- Full or Half Height Door Models with a Variety of Hinging Configurations
- Long Life EZ-Clean Door Gaskets
- Three (3) Plated Shelves Per Section (factory installed)
- 6" High Locking Casters
- Guaranteed for Life Door Handles & Hinges
- 3-Year Parts & Labor Warranty

#### ACCESSORIES & OPTIONS (\*field installed)

- Universal Tray Slides (only) for 18" x 26" Sheet Pans\*
- Universal Tray Slides (only) for 12" x 20" Food Pans\*
- Universal Tray Slides (only) for 14" x 18" Sheet Pans\*
- Additional Shelves\*
- 6" High Legs\*

\*Please refer to form number TR35872 for precise kit details. See back page for tray slide versatility chart.



This unit is listed to the applicable UL, CSA and NSF Standards by an approved NRTL. Consult the factory or unit's data plate for approval information.

#### AVAILABLE CONFIGURATIONS

##### Half-Height Door Models

G24300  
 G24302  
 G24303

##### Hinging

Left/Right  
 Right/Right  
 Left/Left

##### Full-Height Door Models

G24310  
 G24312  
 G24313

##### Hinging

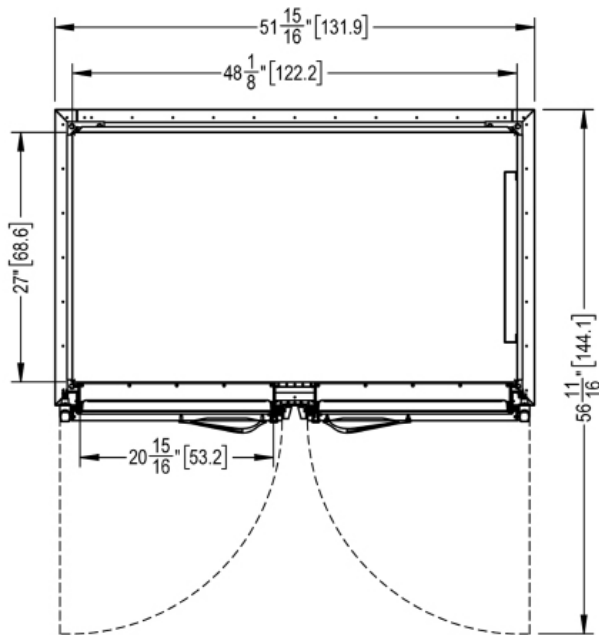
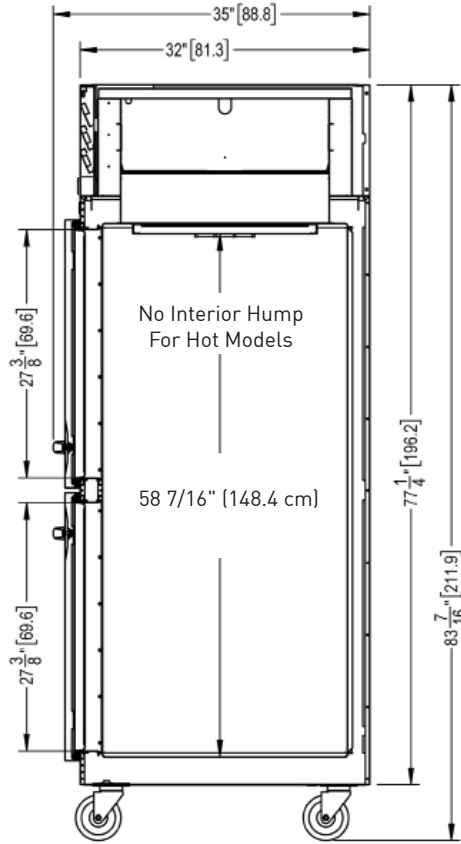
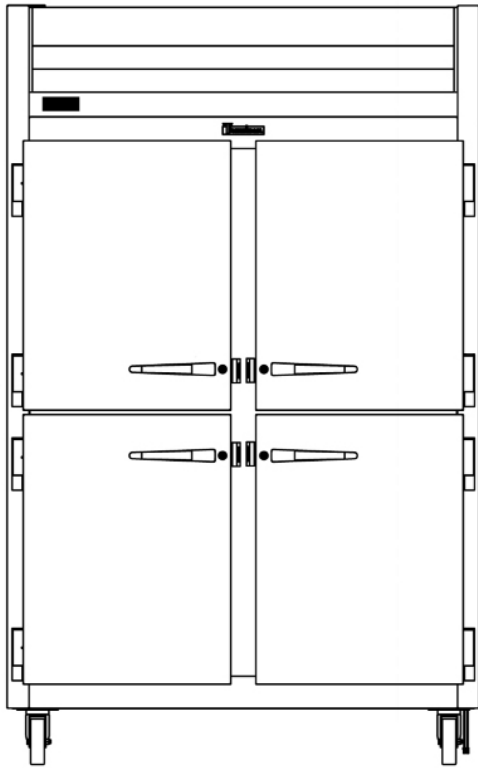
Left/Right  
 Right/Right  
 Left/Left

Approved by \_\_\_\_\_ Date \_\_\_\_\_ Approved by \_\_\_\_\_ Date \_\_\_\_\_



## MODELS

Half Height Door Models: G24300, G24302, G24303

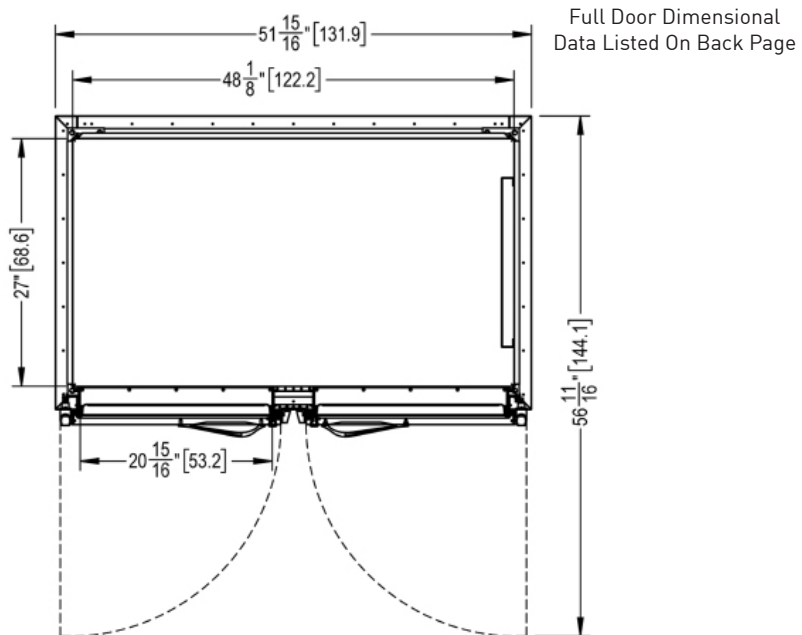
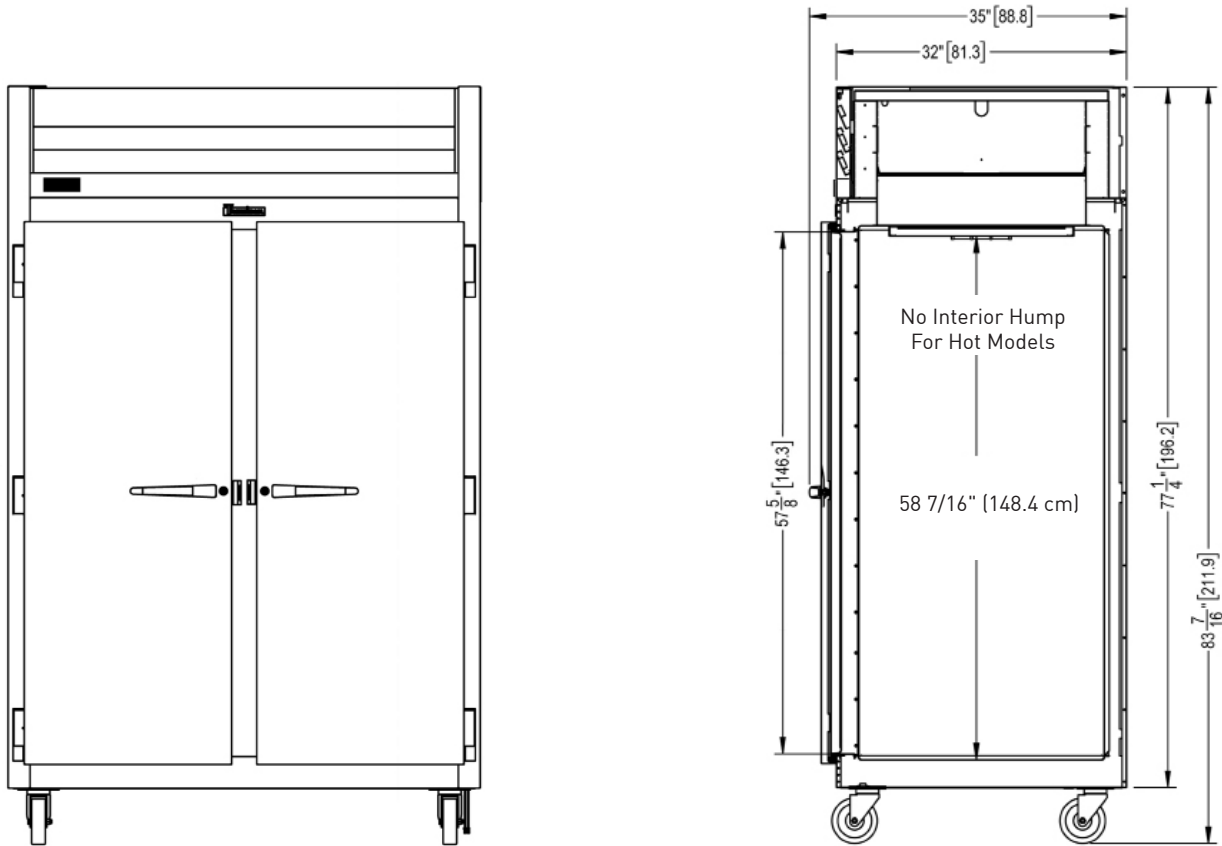


# G-SERIES

## 2-Sections Hot Food Holding Cabinets Reach-In Self-Contained Solid Door(s)

### MODELS

Full Height Door Models: G24310, G24312, G24313





# G-SERIES

## 2-Sections Hot Food Holding Cabinets Reach-In Self-Contained Solid Door(s)

### MODELS

Half Height Door Models: G24300, G24302, G24303

Full Height Door Models: G24310, G24312, G24313

MODELS	G243__
<b>DIMENSIONAL DATA</b>	
Net Capacity cu. ft.	44.0 (1246 l)
L x D x H - Overall in. <sup>1</sup>	52 $\frac{1}{8}$ (132.4 cm) x 35 (88.8 cm) x 83 $\frac{7}{16}$ (211.9 cm)
Depth - over body in.	32 (81.3 cm)
Depth - door open 90° in.	57 $\frac{7}{8}$ (146.3 cm)
Clear half-door W x H in.	21 $\frac{1}{8}$ (53.6 cm) x 27 $\frac{1}{2}$ (69.9 cm)
Clear full-door W x H in.	21 $\frac{1}{8}$ (53.6 cm) x 57 $\frac{1}{2}$ (146.3 cm)
No. Standard Shelves	6
Shelf Area sq. ft. <sup>2</sup>	34.6 (3.21 sq m)
<b>ELECTRICAL DATA</b>	
Voltage   Plug	208-230/115/60/1   Hard Wire
Feed wires with ground	4
Wattage @ 208V	3000
Minimum Circuit Breaker Amperes	20
Maximum Over Current Protection Amperes	20
<b>SHIPPING DATA</b>	
L x D x H Crated in.	62 (157 cm) x 42 (107 cm) x 85 (216 cm)
Volume Crated cu. ft.	128 (3625 l)
Uncrated   Crated Weight lbs.	320 (145 kg)   380 (172 kg)

**NOTES:**

1. Height shown when mounted on standard 6" high casters.
2. Figure shown reflects the area of standard shelf complement.

### EQUIPMENT SPECIFICATIONS

**CONSTRUCTION, HARDWARE, INSULATION**

Cabinet exterior front, louver assembly and doors are constructed of heavy gauge stainless steel. Cabinet sides (including returns), interior and door liners are constructed of anodized aluminum. The exterior cabinet top, back and bottom are constructed of heavy gauge galvanized steel. A set of four (4) 6" high casters are included. Doors are equipped with a gasket protecting metal door pan, removable plug cylinder locks and guaranteed for life cam-lift, gravity action, self-closing metal, glide hinges with stay open feature at 120 degrees. Hinges include a concealed switch to automatically activate the interior incandescent lighting. Guaranteed for life, work flow door handles are mounted horizontally over recess in door which limits protrusion from door face into aiseways. Gasket profile and durable long life material simplify cleaning and increase overall gasket life. Both the cabinet and door(s) are insulated with an average of 2" thick high density, non-CFC, foamed in place polyurethane.

**HEATING SYSTEM**

A low watt density, serpentine style, heater is employed for the generation of electric heat. Low velocity air is forced across its large surface area to efficiently move heat radiating away from these through a down-air distribution duct, where it is then evenly distributed throughout the cabinet, assuring the proper holding environment for hot food product, without drying. A vent, located at the top of the cabinet, is included for positive humidity control. Standard operating temperature range 140° to 180°F.

**CONTROL**

The easy to use water resistant microprocessor control is supplied standard. It includes a 3-Digit LED Display, and a Fahrenheit or Celsius Temperature Scale Display Capability.

**INTERIOR ARRANGEMENTS**

Standard interior arrangements include three (3) plated shelves, mounted on pilasters, installed at the factory. Recommended load limit per shelf should not exceed 225 lbs.

**DOMESTIC WARRANTY**

A three year parts and labor warranty is provided standard.

OPTIONAL ACCESSORY TRAY SLIDE VERSATILITY CHART	
TRAY SLIDE DRAWINGS	
TRAY SLIDE OFFERING	Universal (1) 18" x 26" or (2) 14" x 18" or (2) 12" x 20"
SPACING CAPACITY DOOR SIZE	4" 14 Pairs Full Door & 06 Half <sup>1</sup> 4" 14 Pairs Full Door & 07 Half <sup>2</sup> 5" 11 Pairs Full Door & 05 Half 6" 09 Pairs Full Door & 04 Half

- Upper Half Height Door<sup>1</sup>
- Lower Half Height Door<sup>2</sup>

CONTINUED PRODUCT DEVELOPMENT MAY NECESSITATE SPECIFICATION CHANGES WITHOUT NOTICE.