



Project _____
 AIA # _____ SIS # _____
 Item # _____ Quantity _____ C.S.I. Section 114000

G SERIES

3-Section Refrigerator Reach-In Self-Contained Hinged Glass Door(s)



STANDARD PRODUCT FEATURES

- High Performance, Energy Efficient Refrigeration System Using R-290
- Variable Speed Compressor Adapts to the Work Environment
- Reliable Microprocessor Control With LED Temperature Display
- Evaporator Coil Outside Food Zone Provides More Usable Space
- Load-Sure™ Guard Prevents Problems From Improper Loading
- Durable All-Metal Construction
- Stainless Steel Front & Louver Panel, Glass Doors, Anodized Aluminum Sides & Interior
- Full or Half Height Length Hinged Glass Doors With Locks
- Long Life EZ-Clean™ Door Gaskets
- Three (3) Epoxy Coated Shelves Per Section (factory installed)
- Easy to Maintain Front Facing Condenser Coil
- 6" High Locking Casters

FIELD INSTALLED ACCESSORIES & OPTIONS

- Trayslides for 18" x 26" Sheet Pans
- Trayslides for 12" x 20" Food Pans
- Trayslides for 14" x 18" Sheet Pans
- Additional Shelves
- Set of (4) 4 1/8" Casters in Lieu of Standard
- 6" High Legs



Models listed to the applicable UL, CSA and NSF standards by an approved NRTL. Consult the factory or unit data plate for additional information.

AVAILABLE CONFIGURATIONS

Half-Height Door Models

G32000
 G32001
 G32002
 G32003

Hinging

Left/Right/Right
 Left/Left/Right
 Right/Right/Right
 Left/Left/Left

Full-Height Door Models

G32010
 G32011
 G32012
 G32013

Hinging

Left/Right/Right
 Left/Left/Right
 Right/Right/Right
 Left/Left/Left

***Please refer to the G Series Accessory Kit Guide for precise details. (Form TR35872)**

-GUARANTEED FOR LIFE CAM-LIFT HINGES

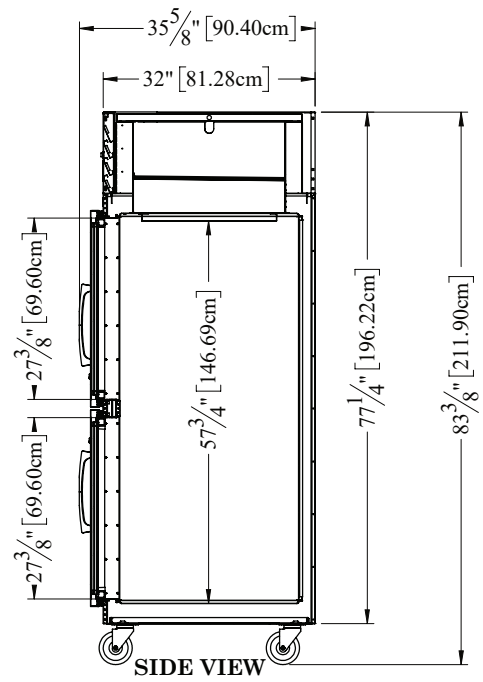
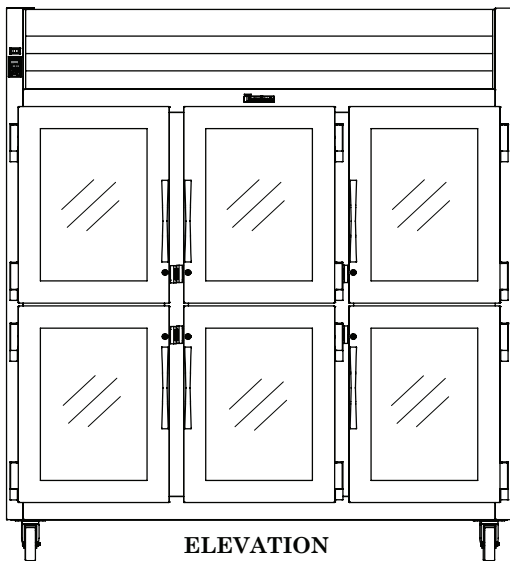
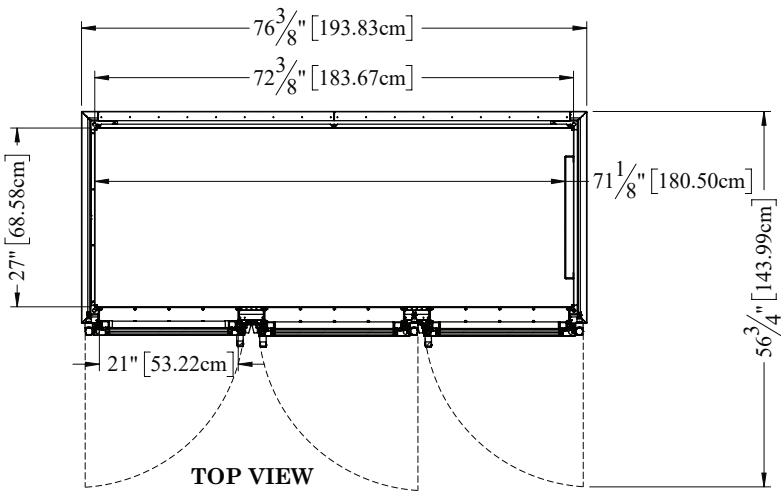


ENERGY STAR® Listed Commercial Refrigerator
 For full listing visit energystar.gov

Approved by _____ Date _____ Approved by _____ Date _____

MODELS:

G32000, G32001, G32002, G32003

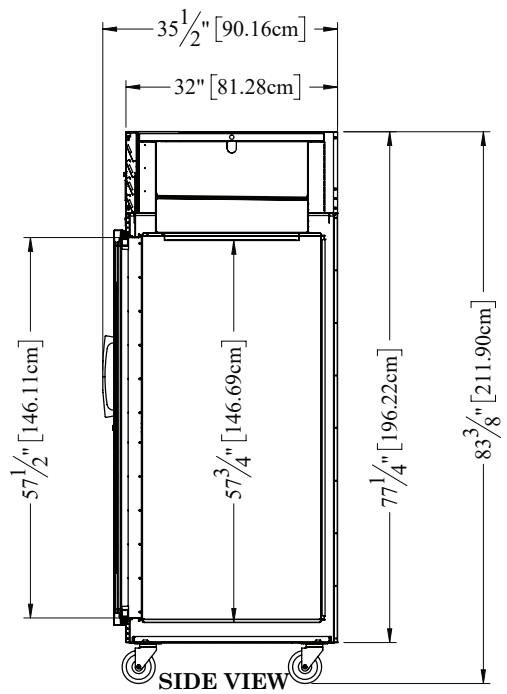
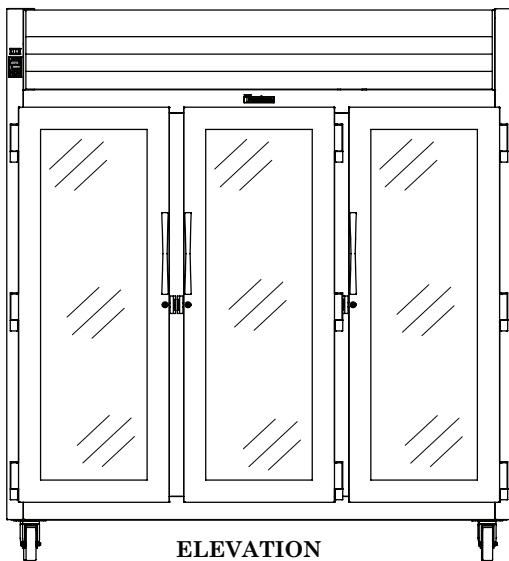
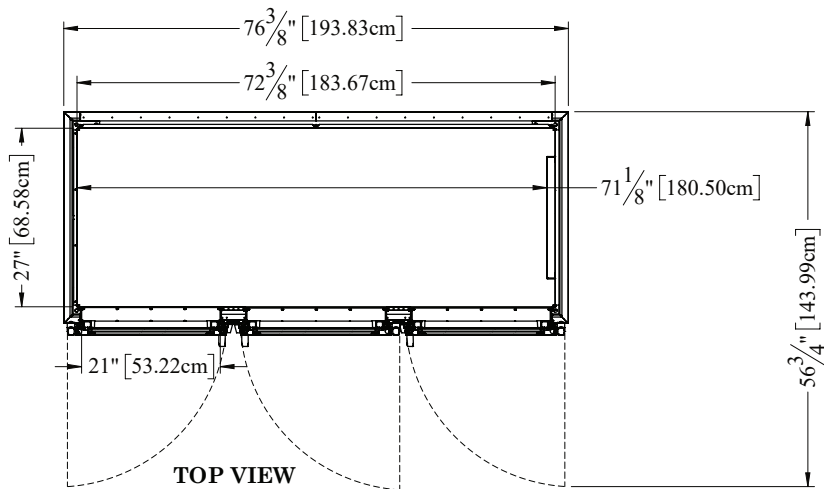


G SERIES

3-Section Refrigerator Reach-In Self-Contained Hinged Glass Door(s)

MODELS:

G32010, G32011, G32012, G32013





G SERIES

3-Section Refrigerator Reach-In Self-Contained Hinged Glass Door(s)

MODELS:

Half Height Door Models: G32000, G32001, G32002, G32003

Full Height Door Models: G32010, G32011, G32012, G32013

EQUIPMENT SPECIFICATIONS

MODELS	G320__
DIMENSIONAL DATA	
Net Capacity cu. ft. ¹	70.07 (1984 l) 70.67 (2001 l)
Length - overall in.	76 ³ / ₈ (193.8 cm)
Depth - overall in.	35 ¹ / ₂ (90.2 cm)
Depth - over body in.	32 (81.3 cm)
Depth - door open 90° in.	53 ³ / ₄ (144 cm)
Clear door width in.	21 (53.2 cm)
Clear half-door height in.	27 ⁷ / ₈ (69.6 cm)
Clear full-door height in.	57 ¹ / ₂ (146.1 cm)
Height - overall on 6" legs in. ²	83 ³ / ₈ (211.9 cm)
No. Standard Shelves	9
Shelf Area sq. ft. ³	51.9 (4.82 sq m)
ELECTRICAL DATA	
Voltage Plug	115/60/1 NEMA 5-15P (attached)
Feed wires with ground	3
Full Load Amperes KWH/24HR ⁴	13.5 6
REFRIGERATION DATA	
Refrigerant	R-290
Refrigerant Charge oz.	5.2 (147.4 g) per system
BTU/HR H.P. ⁵	3400 1/4 HP per system
SHIPPING DATA	
Length - Crated in.	91" (231 cm)
Width - Crated in.	42" (107 cm)
Height - Crated in.	85" (216 cm)
Volume - Crated cu. ft.	188 (5324 l)
Weight - Crated lbs.	666 (302 kg)

CONSTRUCTION, HARDWARE, INSULATION

Cabinet exterior front and louver assembly are constructed of heavy gauge stainless steel. Cabinet sides (including returns) and interior are constructed of anodized aluminum. The exterior cabinet top, back and bottom are constructed of heavy gauge galvanized steel. A set of four (4) 6" high casters are included.

Doors are equipped with removable plug cylinder locks and guaranteed for life cam-lift, gravity action, self-closing metal, glide hinges with stay open feature at 120 degrees. An exterior mounted switch is provided to operate the interior LED lighting. Each door includes a vertically mounted stainless steel handle.

Gasket profile and durable long life material simplify cleaning and increase overall gasket life. Anti-condensate heaters are located behind each door opening.

The cabinet is insulated with an average of 2" thick high density, non-CFC, foamed in place polyurethane.

SELF-CONTAINED REFRIGERATION SYSTEM

Two (2) top mounted, self-contained, balanced refrigeration systems using environmentally-friendly, low GWP R-290 refrigerant is conveniently located behind the one piece louver assembly. Each system features an easy to clean front facing condenser, thermostatic expansion valve, air-cooled hermetic variable speed compressor, large, high humidity evaporator coil located outside the food zone and a top mounted non-electric condensate evaporator. A 9' cord and plug is provided. Standard operating temperature is 34 to 38°F.

CONTROL

The easy to use water resistant microprocessor control system is supplied standard. It includes a 3-Digit LED Display, and a Fahrenheit or Celsius Temperature Scale Display Capability.

INTERIOR ARRANGEMENTS

Standard interior arrangements include three (3) epoxy coated steel wire shelves, mounted on shelf pins, installed at the factory. Recommended load limit per shelf should not exceed 225 lbs.

DOMESTIC WARRANTY

Both a six year parts and labor warranty and an additional one year compressor parts warranty (for a total of seven on self-contained models) are provided standard.

NOTES:

1. Net Capacity cu. ft. = Half Height Door | Full Height Door models.
2. 12" Top clearance preferred for optimum performance & service access.
3. Figure shown reflects the area of standard shelf complement.
4. KWH/24HR = Kilowatt usage per 24 hours
5. Based on a 90°F ambient and 20°F evaporator.

When ordering please specify: Voltage, Hinging, and Options.

Equipped with one NEMA 5-15P Plug



OPTIONAL ACCESSORY TRAYSLIDE VERSATILITY CHART						
TRAYSLIDE DRAWINGS						
TRAYSLIDE OFFERING	#1 (1) 18" x26" or (2) 14" x18"	#4 (Rod Type) (1) 18" x26"	Universal (1) 18" x26" or (2) 14" x18" or (2) 12" x20"	#1 EZ-Change (1) 18" x26" or (2) 14" x18"	Universal EZ-Change (1) 18" x26" or (2) 14" x18" or (2) 12" x20"	HD Universal EZ-Change (1) 18" x26" or (2) 14" x18" or (2) 12" x20"
SPACING CAPACITY DOOR SIZE	2" 28 Pairs Full Door & 13 Half 3" 19 Pairs Full Door & 09 Half 4" 14 Pairs Full Door & 07 Half 5" 11 Pairs Full Door & 05 Half	1 1/2" 38 Pairs Full Door 1 1/2" 18 Pairs Half Door	4" 14 Pairs Full Door & 06 Half 4" 14 Pairs Full Door & 07 Half 5" 11 Pairs Full Door & 05 Half 6" 09 Pairs Full Door & 04 Half	2" 26 Pairs Full Door & 12 Half 4" 13 Pairs Full Door & 06 Half	2 1/4" 22 Pairs Full Door & 11 Half 4 1/2" 11 Pairs Full Door & 05 Half	4 1/2" 11 Pairs Full Door & 05 Half 9" 05 Pairs Full Door & 02 Half

- Upper Half Height Door¹
- Lower Half Height Door²

CONTINUED PRODUCT DEVELOPMENT MAY NECESSITATE SPECIFICATION CHANGES WITHOUT NOTICE.