



Project _____
 AIA # _____ SIS # _____
 Item # _____ Quantity _____ C.S.I. Section 114000

ULT SERIES

Freezer Compact Undercounter
 Self-Contained/Solid Door



STANDARD PRODUCT FEATURES

- Stainless Steel Exterior Top, Sides & Doors
- Anodized Aluminum Interior
- Front Breathing Self-Contained Refrigeration System
- Environmentally Friendly, Low GWP R-290 Refrigerant
- Self-Closing Doors with Stay-Open Feature at 105 Degrees
- Anodized Aluminum Interior Door Liner
- Electronic Control
- Two (2) Powder Coated Shelves Per Door, Mounted on Pilasters
- Automatic Non-Electric Condensate Evaporator
- Magnetic Snap-In EZ-Clean™ Door Gasket(s)
- 8' (2.4 m) NEMA Cord & Plug Attached
- Set of Four (4) 4" Casters

ACCESSORIES & OPTIONS (*field installed)

- CK20 (four 6" (15.2 cm) high casters for 27" models)
- CK24 (four 3½" (8.9 cm) high casters for 27" models)
- CK26 (four 2¾" (6.9 cm) high casters for 27" models)
- CK28 (four 2½" (6.4 cm) high casters for 27" models)
- LK4 (four 6" (15.24 cm) high legs for 27" models)
- Shelf CPW1 (additional shelf for 27" models)
- CU27TOP-BSW0 (heavy gauge stainless steel top with 4" (10.2 cm) backsplash 27")
- Optional accessory kits shipped separately for field installation



Models listed to the applicable UL, CSA and NSF standards by an approved NRTL. Consult the factory or unit data plate for additional information.

AVAILABLE CONFIGURATIONS

27" Wide Models

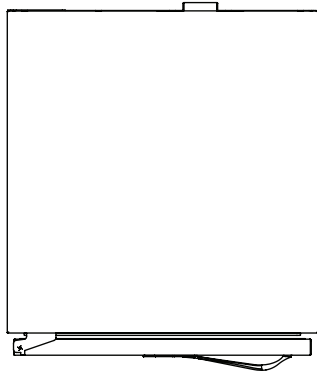
Model	Door Style	Hinging
ULT27-L	One Solid Door	Left
ULT27-R	One Solid Door	Right

FACTORY INSTALLED OPTIONS

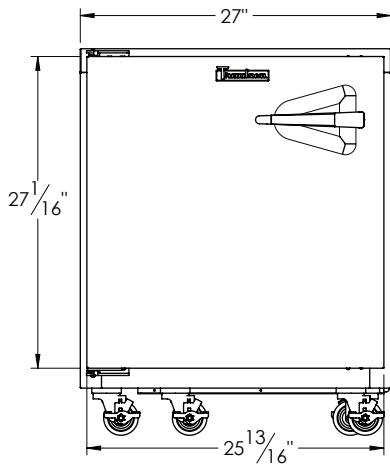
- Stainless Steel Finished Back (model numbers will have '-SB' suffix)

Approved by _____ Date _____ Approved by _____ Date _____

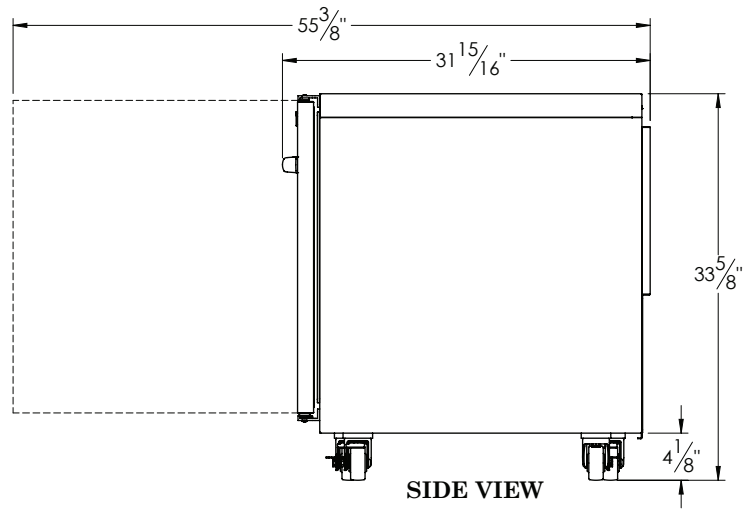
MODEL:
ULT27-L



TOP VIEW



ELEVATION



SIDE VIEW



MODELS:

ULT27-L, ULT27-R

EQUIPMENT SPECIFICATIONS

MODELS	ULT27
DIMENSIONAL DATA	
Net Capacity cu. ft.	7.35 (208 l)
Length - overall in.	27 (69 cm)
Depth - overall in.	31 ¹⁵ / ₁₆ (81.1 cm)
Depth - door open 90° in.	55 ³ / ₈ (140.7 cm)
Clear door width in.	25 ¹³ / ₁₆ (65.6 cm)
Clear door height in.	27 ¹ / ₁₆ (68.7 cm)
Height - overall on 4" casters	33 ⁵ / ₈ (85.4 cm)
# of doors	1
# of shelves	2
Shelf Area sq. ft. ³	4.88 (.45 m)
ELECTRICAL DATA (NEMA 5-15P attached)	
Voltage	115/60/1
Full Load Amps KWH/24HR ¹	7.2 2.09
REFRIGERATION DATA	
Refrigerant	R-290
Refrigerant Amount oz.	4.2 (119 g)
BTU/HR ² H.P.	1695 1/2 HP
SHIPPING DATA	
Length - crated in.	45 (114 cm)
Width - crated in.	42 (107 cm)
Height - crated in.	41 (104 cm)
Volume - crated cu. ft.	53 (1501 l)
Weight - crated lbs.	220 (100 kg)

NOTES:

1. KWH/24HR = Kilowatt usage per 24 hours
2. Compressor BTU based on a 90° F ambient and 20° F evaporator.
3. Figure shown reflects the area of standard shelf complement.

CONSTRUCTION, HARDWARE, INSULATION

Cabinet exterior front, one piece sides, and doors are constructed of heavy gauge stainless steel. Cabinet interior and door liners are constructed of anodized aluminum. The exterior cabinet back and bottom are constructed of galvanized steel.

Door self-closes at less than 90 degrees and also includes a stay open feature at 105 degrees. Gasket profile and material simplify cleaning and increase overall gasket life. Both the cabinet and door(s) are insulated with an average of 2" (5 cm) thick high density, non-CFC, foamed in place polyurethane.

REFRIGERATION SYSTEM

A balanced, rear mounted, front breathing, self-contained refrigeration system using environmentally-friendly, low GWP R-290 refrigerant is provided. It features a TXV valve, air cooled hermetic compressor, a forced air evaporator coil and a non-electric condensate evaporator. An 8' (2.4m) NEMA cord and plug is provided. Standard operating temperature for freezer models is 0° to -5° F (-17° to -16° C).

CONTROLLER

An electronic digital control is supplied standard. It includes a 3-Digit LED display, and a Fahrenheit or Celsius temperature scale display capability.

INTERIOR

Standard interior arrangements include two (2) powder coated wire shelves per door, mounted on pilasters. These are adjustable in 1/2" (1.27 cm) increments, allowing for a minimum of 1 1/2" (3.81 cm) spacing between shelves.

DOMESTIC WARRANTY

Both a six year parts and labor warranty and a seven year compressor parts warranty (self-contained models) are provided standard.

When ordering please specify: Voltage, Hinging, and Options.

Equipped with one NEMA 5-15P Plug 

CONTINUED PRODUCT DEVELOPMENT MAY NECESSITATE SPECIFICATION CHANGES WITHOUT NOTICE.