

Project: \_\_\_\_\_ Location: \_\_\_\_\_ Item #: \_\_\_\_\_ Quantity: \_\_\_\_\_

### Standard Features

- Fast cook times with patent-pending Steam Vector Technology, which utilizes no moving parts
- Cook mode and Variable Temperature Hold mode
- No hood required (in most states)
- Easy-to-use digital controls, with digital temperature display
- Independent digital electronic timer with programmable preset
- 3 Gallon water reservoir
- No water or drain line
- No water filtration or treatment required
- No warranty exclusions for water quality
- Front-mounted drain valve
- No scheduled de-liming or maintenance
- Heavy-duty, field-reversible door
- Door can be opened at any time during cooking cycle
- Cast aluminum heating element is not exposed to water
- Multiple kW heat inputs available for all cooking needs
- Steamer cavity constructed of reinforced 14 ga. 304 stainless steel
- Easy-to-clean control panel
- Automatic altitude compensation
- Dishwasher-safe one-piece wire pan racks
- Dishwasher-safe SVT steam collector and distributor panels
- English and Spanish operating instructions on door
- Simplified service access panel
- Low water, high water and overtemp indicator lights
- (2) 5' power cords and plugs included, separate receptacle needed for each unit
- One year parts and labor warranty
- Lifetime Service & Support Guarantee
- UL LISTED Safety Certification (UL 197)
- UL EPH Sanitation Certification (NSF 4)

### Optional Features

- Bullet Feet
- Stainless steel, ergo-low support stand available with casters, bullet feet or flanged feet
- Drain pan

### Safety, Sanitation & Environmental



- EPA 202 Evaluated / NFPA 96 4.1.1.2 Compliant



### Pan Capacities

Pan Size	Qty.
#200 full size (12x20x2.5")	12
#400 full size (12x20x4")	8

### Short Spec

Evolution<sup>™</sup> steamer is AccuTemp Products' connectionless, boilerless steam cooker that utilizes AccuTemp's Patent Pending Steam Vector Technology for faster cook times, improved energy efficiency, better pan to pan uniformity. Steam Vector Technology requires no moving parts inside the cooking chamber. Steam to be produced inside the cooking cavity with no heating element exposed to water. No water or drain line. Unit to include low water, high water, overtemp warning lights and auto shut off feature. Evolution<sup>™</sup> to include heavy duty, field reversible door. Standard digital controls with independent timer. No water quality exclusions to warranty and no water filtration or treatment required. Unit to be UL Safety and Sanitation Certified, and Energy Star qualified. Built in USA.

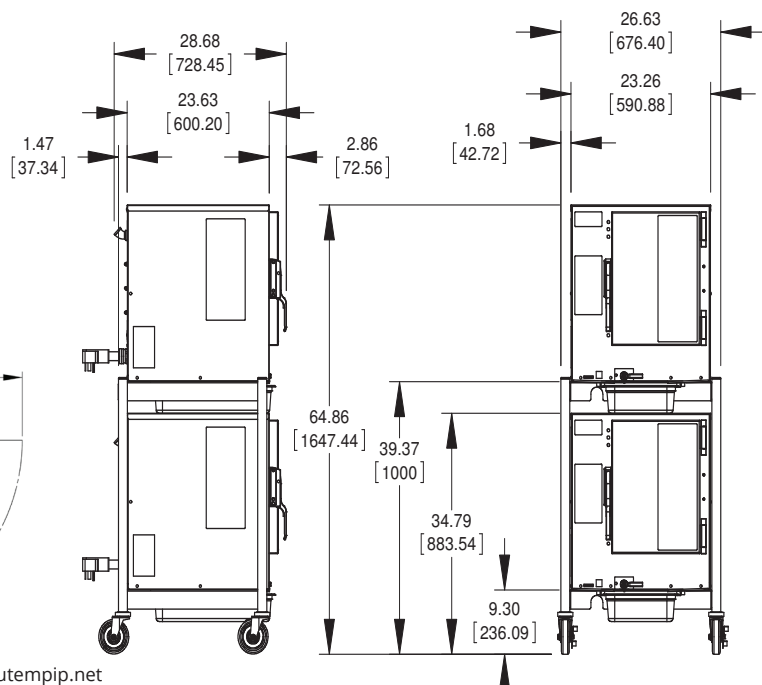
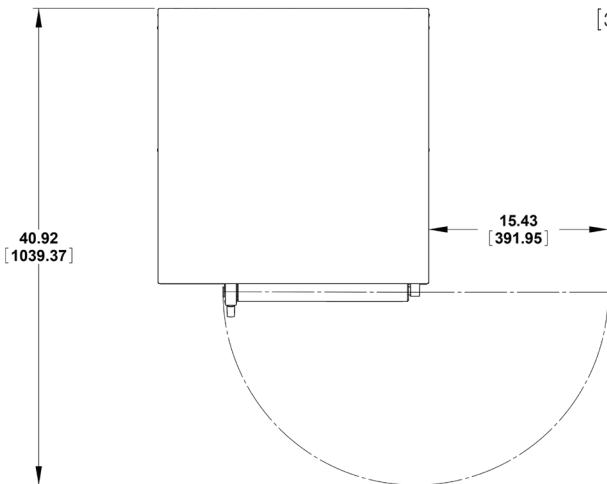
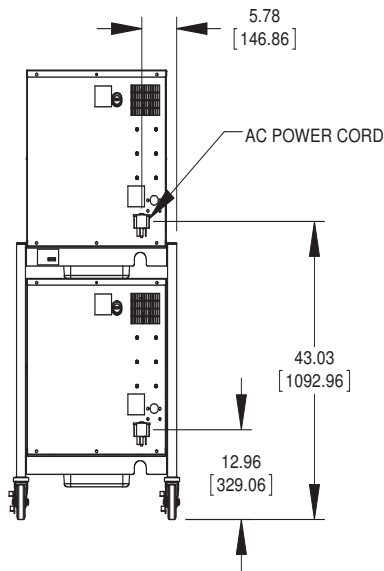
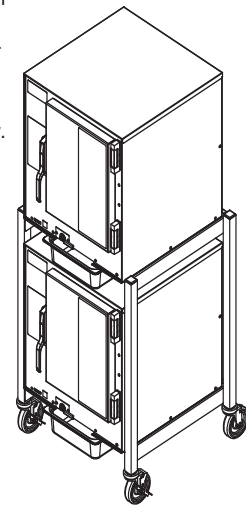


E6 Evolution<sup>™</sup> Models shown with optional drain pan and stand with casters

Steamer Model "D" Specifications per cavity • DBL = TWO CAVITIES													
Model #	E62081D060 DBL	E62083D100 DBL	E62083D150 DBL	E62401D060 DBL	E62403D110 DBL	E62403D130 DBL	E62301D070 DBL	E64005D110 DBL	E64803D140 DBL				
Volts AC	208	208	208	240	208	240	240	230	3 80	4 00	41 5	440	480
Phase	1	3	3	1	3	3	1	3	3	3	3	3	3
Amps	29	28	42	25	22	26	32	32	14	14	15	16	17
Breaker Size	30 amp	30 amp	50 amp	30 amp	30 amp	50 amp	50 amp	50 amp	20 amp	20 amp	20 amp	20 amp	20 amp
Watts (kW)	6	10	15	6	8	11	13	7	9	10	11	12	14
NEMA Plug	L6-30P	L15-30P	15-50P	L6-30P	L15-30P	15-50P	IEC60309-2 220/250V	IEC 60309-2 220/380- 240/415V	IEC 60309-2 220/380- 240/415V	L16-20P	L16-20P	L16-20P	L16-20P

**Notes:**

1. Allow 3" between fryer, ranges, and other hot surfaces.
2. (2) 5' power cords supplied with single or 3 phase, separate receptacle needed for each unit.
3. For use on individual branch circuits only.
4. Do not connect to a circuit operating at more than 150V to ground.
5. Dimensions outside brackets are inches, in brackets are millimeters.



AccuTemp product may be covered by one or more US Patents. See [www.accutempip.net](http://www.accutempip.net)