



ZEPHAIRE G, ZEPHAIRE G PLUS & ZEPHAIRE-200-G GAS CONVECTION OVENS REPLACEMENT PARTS LIST



EFFECTIVE MARCH 3, 2022

Superseding All Previous Parts Lists.

The Company reserves the right to make substitution in the event that items specified are not available.

ERRORS: Descriptive and/or typographic errors are subject to correction.

BLODGETT OVEN COMPANY

42 Allen Martin Drive, Essex Junction, Vermont 05452 USA Telephone: (802) 658-6600 Fax: (802) 860-3732
www.blodgett.com

P/N 54806 Rev V

IMPORTANT: When ordering parts, please provide the model, gas type and serial number of the oven. The identification plate is located on the left side of the combustion compartment and, also, above the control panel under the ledge.



ASAP Distributor Required Stocking Parts
Doors Are Not Returnable
Item Is Too Large For UPS

SERIAL NUMBER LOCATION / KEY:

IMPORTANT: When ordering parts, please provide the model, gas type and serial number of the oven. The identification plate is located on the left side of the combustion compartment and also above the control panel under the ledge.

SERIAL NUMBER IDENTIFICATION CODE:

**YA = ZEPHAIRE G & ZEPHAIRE E PLUS
CN = ZEPHAIRE-200-G**

SERIAL NUMBER EXAMPLES

010114CN001T

01/01/14 = DATE

CN = LETTER CODE FOR ZEPHAIRE-200-G

001 = FACTORY SEQUENCE

T = TOP OVEN

ELECTRICAL COMPONENTS

(MECHANICAL CONTROLS, PRIOR TO 07/12/93)

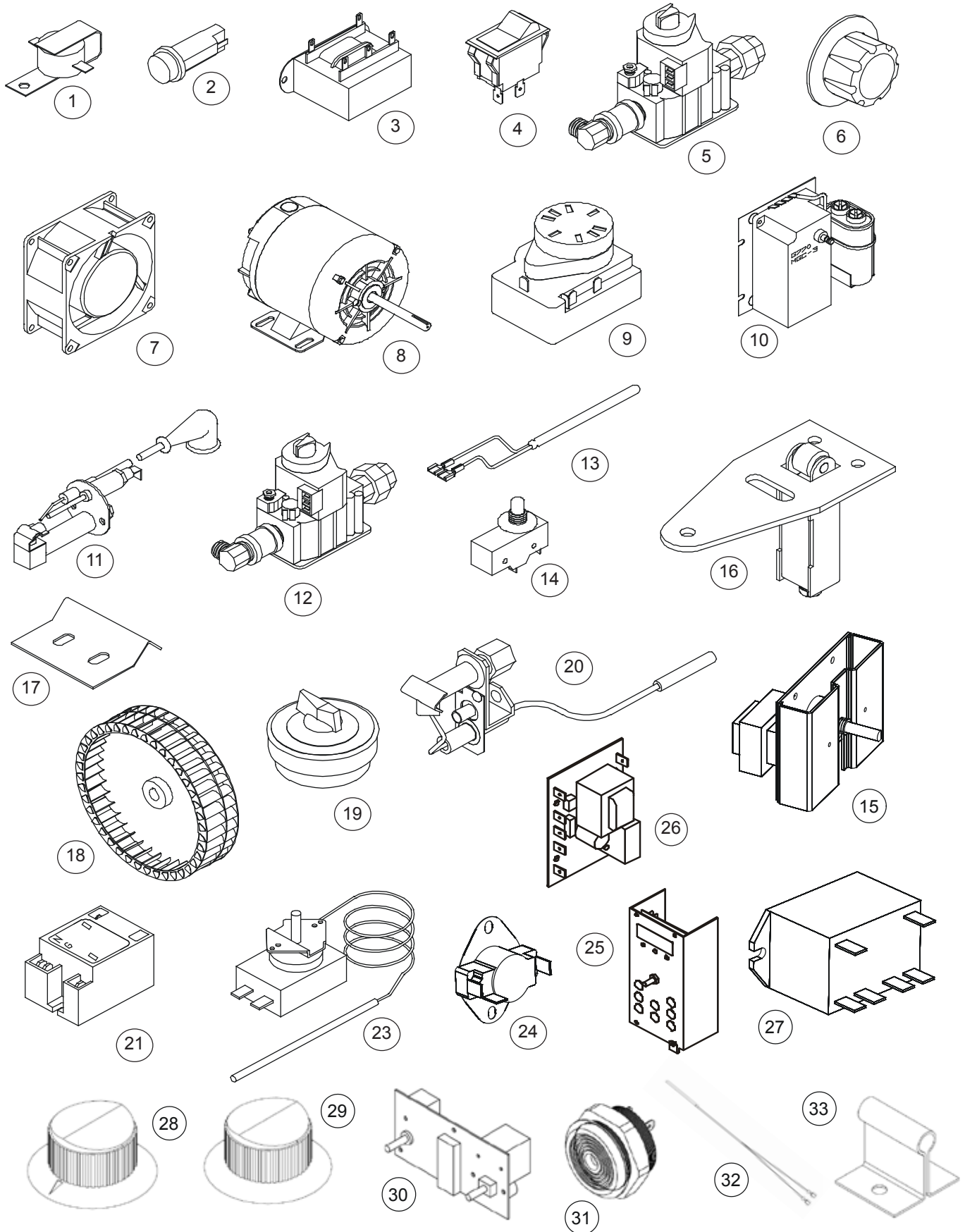
| <u>Ref. No.</u> | <u>Part No.</u> | <u>Description</u> |
|-----------------|-----------------|-------------------------------------|
| 8 | 32291 | Motor, 115V, 1 PH, 1/2 HP, 1 SP |
| 8 | 32291 | Motor, 115V, 1 PH, 1/2 HP, 2 SP |
| | 20349 | Buzzer, 120V |
| 19 | 5147 | Timer, 60 Minute Mechanical, w/bell |
| | 15956 | Timer, for Buzzer |
| | 16030 | Knob, Timer |
| 23 | 16536 | Thermostat, KX-234-36 |
| | 16393 | Dial, Thermostat |
| | 21082 | Bracket Assy., Thermostat |
| | 20195 | Gauge, Spark Gap |
| | 35702 | Microswitch Kit |
| | 35419 | Bracket Assy., Microswitch |
| | 5091 | Cord Set Assembly |
| | 6502 | Cool Down Switch, Rocker DPDT Red |
| | 6500 | Blower Switch, Rocker DPST Blue |
| | 6497 | Light Switch, Rocker SPST White |
| | 15673 | Indicator Light, 125V, Red, Round |
| | 4342 | Lamp |
| | 4922 | Socket, Lamp |
| | 15891 | Tube Assy, for lamp |

ELECTRICAL COMPONENTS

(SOLID STATE CONTROLS, AFTER 07/12/93)

| <u>Ref. No.</u> | <u>Part No.</u> | <u>Description</u> |
|-----------------|-----------------|--|
| 8 | 32291 | Motor, 115V, 1 PH, 1/2 HP, 1 SP |
| | 32291 | Motor, 115V, 1 PH, 1/2 HP, 2 SP |
| | 23077 | Capacitor, Motor 2 SP |
| 1 | 20349 | Buzzer, 120V |
| 9 | 18225 | Timer, 60 Minute, 120V, 60 HZ |
| 6 | 16686 | Knob, Timer |
| 15 | 33152 | Temperature Controller w/ Potentiometer Thermistor, before 12/02/2015 |
| | 57372 | Temperature Controller w/ Pot RTD, after 12/02/2015 |
| 26 | 18578 | Temperature Control Board w/8 STPT Thermostat |
| | 57604 | Switch,8 STPT Preferred Meals |
| 25 | 30658 | SSD Time/Temp Controller, before 7/1/16 |
| | 58718 | SSD Time/Temp Controller, after 7/1/16 |
| 13 | 18588 | Probe, Temperature, 1/4" dia, 100K ohm |
| | 16686 | Knob, Thermostat |
| 3 | 20355 | Transformer, 115V to 24V |
| 10 | 20348 | Spark Box Assy, LP & Nat (G770MGC- Blue) |
| 7 | 21134 | Axial Fan, Low Velocity, 115 V, 60HZ (Qty 2) |
| | 22301 | Axial Fan, 120V, 4" (qty 1) |
| 14 | 35702 | Microswitch Kit (Replaces 19978) |
| | 35419 | Bracket Assy., Microswitch |
| | 5091 | Cord Set Assy |
| 4 | 6502 | Cool Down Switch, Rocker DPDT Red |
| 4 | 57532 | Cool Down Switch, Rocker DPDT Red, after 7/22/21 |
| 4 | 6500 | Blower Switch, Rocker DPST Blue 1 SP |
| | 7636 | Blower Switch, Rocker 3PDT Black 2 SP |
| 4 | 16530 | Light Switch, White Momentary |
| 2 | 18265 | Indicator Light, 28V, Red, Round |
| | 4342 | Lamp |
| | 4922 | Socket, Lamp |
| | 15891 | Tube Assy, for lamp |
| 24 | 36755 | Switch, Thermal Cooking |
| | 36376 | Gas Switch |
| 27 | 37058 | Relay, 24V |
| 28 | 36616 | Knob, Thermostat (SSI-D) |
| 29 | 36617 | Knob, Timer (SSI-D) |
| 30 | 57561 | Control, Infinite w/Digital Timer, RTD (SSI-D) |
| 32 | 57562 | RTD Probe, Temperature, 1 K RTD |

MISC. COMPONENTS



BURNER & PIPING ASSEMBLY

(MECHANICAL CONTROLS)

| <u>Ref. No.</u> | <u>Part No.</u> | <u>Description</u> |
|-----------------|-----------------|---|
| | 18799 | Steel Tube Burner Assy. (Set of 2) |
| | 8717 | Orifice, Main Burner (Specify Model & Gas Type) (Set of 2) |
| | 90063 | Air Shutter Only |
| | 3001 | Locknut, Air Shutter |
| | 15871 | Manifold Assy. |
| | 21070 | Tubing, Manifold Assy. |
| | 4872 | Manifold Plug |
| | 15963 | Coupling, Reducer 3/4" to 1/2" |
| 21 | 21080 | Spark Module Assy (White) |
| 20 | 21071 | Pilot Burner Assy., Nat |
| 20 | 21072 | Pilot Burner Assy., LP |
| | 20589 | Orifice, Pilot Burner, Nat |
| | 20193 | Orifice, Pilot Burner, LP |
| | 18586 | Pilot Tubing Assy. |
| | 21075 | Bracket Assy., Pilot, Nat |
| 12 | 30218 | Dual Solenoid/Pressure Reg, Nat. 120V |
| 12 | 30219 | Dual Solenoid/Pressure Reg, LP 120V |
| | 21084 | Conv. Kit, LP to Nat (Before 7/12/93) (Robert Shaw Ignition & Johnson Gas Valve) |
| | 21083 | Conv. Kit, Nat to LP (Before 7/12/93) (Robert Shaw Ignition & Johnson Gas Valve) |
| | 30402 | Conv. Kit, LP to Nat (7/12/93 thru 9/29/93) (Robert Shaw Ignition & Honeywell Valve) |
| | 30398 | Conv. Kit, Nat to LP (7/12/93 thru 9/29/93) (Robert Shaw Ignition & Honeywell Valve) |
| | 20373 | Thru Pipe Assy. |
| | 21078 | Secondary Air Duct Assy. |
| | 21079 | Air Duct Assy. (Set of 2) |
| | 17861 | Deflector Assy. |

BURNER & PIPING ASSEMBLY

(SOLID STATE CONTROLS)

| <u>Ref. No.</u> | <u>Part No.</u> | <u>Description</u> |
|-----------------|-----------------|---|
| | 18799 | Steel Tube Burner Assy. (Set of 2) |
| | 8717 | Orifice, Main Burner (Specify Model & Gas Type) (Set of 2) |
| | 90063 | Air Shutter Only |
| | 3001 | Locknut, Air Shutter |
| | 15871 | Manifold Assy. |
| | 21070 | Tubing, Manifold Assy. |
| | 4872 | Manifold Plug |
| | 15963 | Coupling, Reducer 3/4" to 1/2" |
| 11 | 56463 | Pilot Burner Assy., Complete Nat |
| 11 | 56464 | Pilot Burner Assy., Complete LP |
| | 18263 | Orifice, Pilot Burner, Nat |
| | 18257 | Orifice, Pilot Burner, LP |
| | 18586 | Pilot Tubing Assy. |
| 5 | 30005 | Dual Solenoid/Pressure Reg, Nat 24V |
| 5 | 30006 | Dual Solenoid/Pressure Reg, LP 24V |
| | 30514 | Conv. Kit, LP to Nat (Johnson Control Ignition & Honeywell Valve) |
| | 30399 | Conv. Kit, Nat to LP (Johnson Control Ignition & Honeywell Valve) |
| | 21079 | Air Duct Assy. (Set of 2) |
| | 17364 | Deflector Assy. |
| | 18256 | Flame Sensor Probe |
| | 19677 | Wire, Flame Sensor |

INTERIOR COMPONENTS

| <u>Ref. No.</u> | <u>Part No.</u> | <u>Description</u> | <u>Ref. No.</u> | <u>Part No.</u> | <u>Description</u> |
|-----------------|-----------------|-------------------------------|-----------------|-----------------|-----------------------------------|
| | 20864 | Liner Baffle, Stainless Steel | | 20246 | Rack, Oven (27-7/8" x 28-3/16") |
| | 20758 | Liner Baffle, Porcelain | | 21422 | Rack Support (Set of 2) |
| | 21085 | Liner Bottom, Aluminized | | 8646 | Support Assy., Baffle (Set of 4) |
| | 21560 | Liner Bottom, Porcelain | | 90027 | Motor Mount & Panel Assy. |
| 18 | 15853 | Blower Wheel Assy. 10 3/4" | | 19640 | Baffle Screen Assy. |
| | 20376 | Collector Assy., Heat Lower | 33 | 33088 | Clip, Thermostat Bulb RTD (SSI-D) |
| | 20353 | Clip, Thermostat Bulb | | | |

EXTERIOR COMPONENTS

| <u>Ref. No.</u> | <u>Part No.</u> | <u>Description</u> | <u>Ref. No.</u> | <u>Part No.</u> | <u>Description</u> |
|-----------------|-----------------|---|-----------------|-----------------|--|
| | 23190 | Crown Assy. (After 12/02/93) | | 34761 | Back Panel, S/S (After 02/23/99, S.N. 022399YA005S) |
| | 31023 | Control Panel & Decal w/o Lights (S.S) (Before 8/16/2006) | | 34570 | Bodyside, RH S/S (Prior to 11-21-05) |
| | 31025 | Control Panel & Decal w/Lights (S.S) (Before 8/16/2006) | | 34571 | Bodyside, LH S/S (Prior to 11-21-05) |
| | 58222 | Panel & Decal w/o Lights, (After 8/14/2006) | | NOTE: | The bodysides 34570 & 34571 replace part #17363 & #15994. |
| | 58223 | Panel & Decal w/ Lights, (After 8/14/2006 and before 12/02/2015) | | 36407 | Bodyside, RH S/S (11-21-05 and after) |
| | 58683 | Panel & Decal (SSI-D) | | 37205 | Bodyside, LH S/S (11-21-05 and after) |
| | 58737 | Control Panel & Decal, Manual Control w/ Lights, after 12/02/2015 | | 20223 | Bodytop, S/S (Prior to 11-21-05) |
| | 58725 | Panel & Decal, SSD, after 7/1/16 | | 38981* | Bodytop, S/S (After 11-21-05) |
| | 100713 | Panel & Decal, SSD, before 7/1/16 | | 8600 | Legs, 6" w/ Bolts, S/S (Set of 4) |
| | 20757 | Access Panel Assy., 4"x4" (Gas Valve) | | 8598 | Legs, 25" w/ Bolts, S/S (Set of 4) |
| | 21102 | Combustion Cover Assy. (Before 12/02/93) | | 7847 | Leg Bolts (Set of 8) |
| | 17361 | Combustion Cover Assy. (After 12/02/93) (w/o security package) | | 92000 | Leg Studs (Set of 4) |
| | 21103 | Nameplate, Zephaire 4-5/8" (Before 12/89) | | 21053 | Open Stand 25" w/ Feet, S/S |
| | 23295 | Nameplate, Blodgett/Zephaire 7-15/16" (After 12/89) | | 20878 | Open Stand 25" w/ Casters, S/S |
| | 21104 | Flue Box (Sgl Oven) | | 16002 | Caster Kit, Sgl Oven (Set of 4) |
| | 21107 | Flue Assy., Stacking (3 Piece) | | 5779 | Caster Kit, Dbl Oven (Set of 4) |
| | 35048 | Backpipe Assy. (Dbl Oven) (Replaces number 17880) | | 19528 | Caster Kit, Low Profile (Set of 4) |
| | 7839 | Draft Hood, Direct Venting, S/S (Sgl Oven) | | 31013 | Caster Kit, Heavy Duty Low Profile (Set of 4) |
| | 21108 | Draft Hood, Direct Venting, S/S (Dbl Oven) | | 31803 | Clips, Dbl Stacking (Set of 2) |
| | 7840 | Draft Diverter, Canopy Vent, S/S (Sgl Oven) | | 54422 | Side Heat Shield, Right or Left |
| | 20447 | Draft Diverter, Canopy Vent, S/S (Dbl Oven) | | 58683 | Control Panel & Decal SSI-D |
| | | | | 21831 | Venting Kit, ZephG on G2L |
| | | | | 59657* | Front Trim Kit, Bodytop |
| | | | | NOTE:* | For ovens built between 11/21/05 & 03/10/17, parts 38981 & 59657 must be replace/purchased together |

INDEPENDENT DOOR COMPONENTS

(2 DOOR HANDLES)

| <u>Ref. No.</u> | <u>Part No.</u> | <u>Description</u> |
|-----------------|--|---|
| | ◆ 21090 | Door Assy, Solid LH |
| | ◆ 21091 | Door Assy, Solid RH |
| | ◆ 21557 | Door Assy, Glass LH |
| | ◆ 21558 | Door Assy, Glass RH |
| | ◆ 35580 | Door Conversion Kit, Independent to Dependent, Glass |
| | ◆ 35579 | Door Conversion Kit, Independent to Dependent, Solid |
| | NOTE: Lower door pins no longer come with the door assemblies. The pins must be ordered separately. | |
| | 9036 | Glass Assy (10-1/8" x 17-1/8") |
| | 21097 | Door Handle Assy |
| | 21099 | Handle Bracket, Bottom |
| 16 | 21098 | Catch Assy, Roller (On Top of Door) |
| 17 | 21100 | Striker Plate (On Oven) |
| | 17519 | Gasket, Perimeter Door |
| | 23120 | Gasket, Center Door (3 Piece) |
| | 21092 | Door Stop Bushing w/ Pin |
| | 16657 | Upper Bushing Sleeve |
| | 15932 | Bearing, Flanged |
| | 21094 | Door Pin, Upper Assy |
| | 21095 | Door Pin, Lower Assy (Before 12/02/93) |
| | 30654 | Door Pin, Lower Assy (After 12/02/93) |
| | 21096 | Door Pins, Upper & Lower (Set of 4) (Before 12/02/93) |
| | 30653 | Door Pins, Upper & Lower (Set of 4) (After 12/02/93) |
| | 30655 | Bearing, Door Hinge (Set of 2) (After 12/02/93) |
| | 90053 | Door Switch Cam Assy (Before 12/02/93) |
| | 30652 | Door Switch Cam Assy (After 12/02/93) |

DEPENDENT DOOR COMPONENTS

(1 DOOR HANDLE)

| <u>Ref. No.</u> | <u>Part No.</u> | <u>Description</u> |
|-----------------|-----------------|---|
| | ◆ 20806 | Door Assy, Solid LH |
| | ◆ 20805 | Door Assy, Solid RH |
| | ◆ 20804 | Door Assy, Glass LH |
| | ◆ 20803 | Door Assy, Glass RH |
| | 9036 | Window Assy, Drop In (10-1/8" x 17-1/8") |
| | 17558 | Handle, Porcelain Door |
| | 18081 | Top Plate, Door Handle |
| | 4887 | Chain & Turnbuckles, Door Operating |
| | 90004 | Bushings, Door Hinge (Set of 2) |
| | 16657 | Sleeve, Upper Door Bushing |
| | 17557 | Hinge Pin, Upper Door |
| 14 | 35702 | Microswitch Kit (Replaces 19978) |
| | 35419 | Bracket Assy, Microswitch (Replaces 21081) |
| | 17311 | Trim, Center Door |
| | 16448 | Pressure Lock (Attaches to front of door) |
| | 36606 | Pressure Lock (Attaches to side of door) |
| | 17519 | Gasket Assy., Perimeter (Before 12/01/2005) |
| | 36876 | Gasket Assy., Perimeter (After 12/01/2005) |
| | 36037 | Support Assy, Lower Door (After 1/1/2004) |

EXCLUSIVE TO SPRITZER

| Ref. No. | Part No. | Description |
|-----------------|-----------------|--|
| | 18308 | Thru Pipe & Nozzle |
| | 18314 | Thermal Switch SPNO |
| | 30283 | Water Filter, before 11/1/2012 |
| | 18580 | Pushbutton Switch |
| | 18266 | Indicator Light Blue, 115V, before 11/1/2012 |
| | 30277 | Water Valve, 240V, before 11/1/2012 |
| | 18267 | Indicator Light Blue, 250V, before 11/1/2012 |
| | 19014 | Indicator Light, Amber, 28V, after 11/1/2012 |
| | R10838 | Valve, Solenoid Coil, 24V, after 11/1/2012 |
| | 55276 | Valve, after 11/1/2012 |
| | 36854 | Spritzer Timer, after 11/1/2012 |
| | 58224 | Panel & Decal w/Spritzer, after 8/14/2006 |

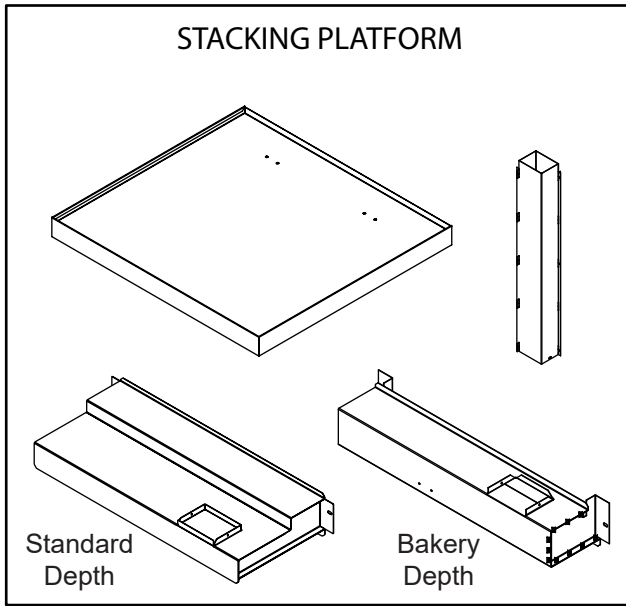
ROLL-IN UNITS

| Ref. No. | Part No. | Description |
|-----------------|-----------------|---------------------------------------|
| | 20517 | Docking Plate Assy. |
| | 8355 | Docking Pins, Transport Cart |
| | 8356 | 5" Casters, Transport Cart |
| | 9052 | Handle, Transport Cart (Sgl Oven) |
| | 8359 | Catch Mechanism, Transport Cart |
| | 8357 | Locking Bar, Transport Cart |
| | 8358 | Tracks & Shelf Assy., Transport Cart |
| | 9015 | Handle, Transport Cart (Dbl Oven) |
| | 7931 | Vertical Posts (Each) |
| | 51659 | Track, LH w/screws |
| | 51660 | Track, RH w/screws |
| | 21089 | Rack Stop, S/S |
| | 7689 | Transport Cart, CTRG |
| | 8626 | Transport Cart, CTRG-2 |
| | 24607 | Roll-In Basket Dolly, DBRI-L |
| | 11206 | Roll-In Pan Rack, RPR-L9 (w/ 5 Racks) |
| | 7590 | Racks for Pan Rack, L9 (26" x 26") |

EXCLUSIVE TO EXPORT

| Ref. No. | Part No. | Description |
|-----------------|-----------------|--|
| | 21430 | Axial Fan, 3", 230V Qty 2 per oven CE |
| | 23034 | Axial Fan, 4", 230V Qty 1 |
| | 33094 | Block, Terminal 4 Pole CE |
| | 32529 | Thru Pipe Assy. CE |
| | 34906 | Manifold Assy (w/pressure tap) CE |
| | 34974 | Conversion Kit, Air Pressure Differential Switch CE Before 03/26/99 or S.N. 032699YA019S |
| | M9422 | Air Pressure Differential Switch, switch only CE |
| | M9705 | Polyurethane Tubing (by the inch, total 36") used w/pressure switch CE |
| | 53010 | Noise Filter |
| | M3172 | Timer, Fixed, 2 Second |
| | 16539 | Indicator Light, 250V, Amber, Round |
| | 30517 | Switch, Rocker DPST, Black |
| | 36066 | Thermostat, High Limit Kit (Manual Reset) CE |
| | 16037 | Indicator Light, 250V, Red, Round |
| | M9182 | Dual Solenoid/Pres Reg, 240V |
| | 20084 | Timer, 60 Min. |
| | 31023 | Control Panel & Decal w/o Lights (Export) |
| | 56465 | Pilot Burner & Ignitor Assy, Nat CE |
| | 56466 | Pilot Burner & Ignitor Assy, LP/But CE |
| | 31025 | Control Panel & Decal w/lights export (Before 8/15/2006) |
| | 58223 | Control Panel & Decal w/lights export (After 8/14/2006) |
| | 33120 | Decal, control CE |
| | 53009 | Ignition Control, 240V, CE |

EXTERIOR COMPONENTS



| Ref. No. | Part No. | Description |
|-----------------|-----------------|--------------------|
| | 101136 | Stacking Platform |