



WE RAISE THE BAR. WE SET THE STANDARD.

Project _____

Item Number _____

Quantity _____

4612



4612 Economy Slicer

Model:

➤ 4612: 1/4hp Manual Slicer



CERTIFIED BY NSF INTERNATIONAL TO MEET
THE NSF/ANSI 2012 STANDARDS

12" Precision slicing German hollow ground blade
Unique smooth curve transitions to redirect
liquids away from controls and operator
Easily detachable carriage for easy cleaning

Features:

- Light duty, intermediate volume slicer
- Maximum duty 2 hours a day
- Capable of slicing small amounts of cheese
- Unique drip tray fence redirects liquids away from controls and operator towards distinctive concave base casting for easy cleaning
- Ergonomic comfort design operation
- Powerful 1/4 hp motor standard
- Adjustable slice thickness from 0 to 1/2"
- Easily removable sharpener for cleaning
- Quick and simple disassembly of carriage and feed grip for easy and thorough cleaning
- Sanitary polished and anodized aluminum construction
- Permanently mounted protective edge guard for operator safety

Optional Accessories:

- Heavy duty clear plastic cover
- Sturdy stainless steel stand

Warranty:

- One year, carry-in parts and labor

*Univex Slicers are not intended for semi-frozen or frozen product **except for Model 8713M with frozen blade package.**

Economy Series Slicer

Univex Corporation



Univex Corporation
www.Univexcorp.com

3 Old Rockingham Rd
Salem, NH 03079
United States of America

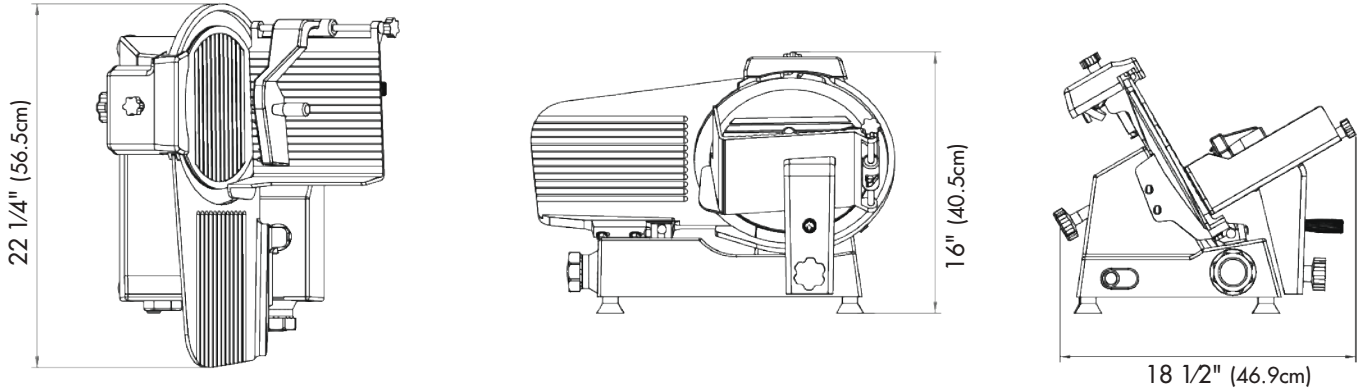
TEL: (800)258-6358
INTL TEL: (603)893-6191
FAX: (800)356-5614
INTL FAX: (603)893-1249



WE RAISE THE BAR. WE SET THE STANDARD.

Economy Series Slicer

4612



Controls: Manual slice thickness knob, push button on/off, attached blade sharpener
 Drive Assembly: Belt driven
 Blade diameter: 12" (38.48cm) razor sharp blade
 Blade RPM: 420 RPM

Maximum slice thickness: .5" (1.27cm)
 Maximum product size: Rectangular: 8" x 5" (20.3cm x 13.3cm)
 Square: 5" x 5" (13.3cm x 13.3cm)
 Round: 7" (20.3cm)
 Construction: Anodized, cast aluminum body for durability and stunning looks

Nema #: 5-15-P

Electrical Information (60Hz)					
	Voltage	Phase	Amps	RPM	hp(kW)
Standard Voltage	115	1	1.9	1680	1/4 (.19)
Optional Voltage	208-240	1	1.0	1680	1/4 (.19)

Carriage Stroke
9.25" (23.5cm)

Shipping Information		
Net Weight	Shipping Weight	Overall Shipping Dimensions
50.6lbs. (23Kg)	59lbs. (26.8Kg)	21" (53.3cm) H x 27" (68.6cm) W x 23" (58.4cm) D



Univex Corporation
www.Univexcorp.com

3 Old Rockingham Rd
 Salem, NH 03079
 United States of America

TEL: (800)258-6358
 INTL TEL: (603)893-6191
 FAX: (800)356-5614
 INTL FAX: (603)893-1249