



# 12" SILENZIO™ Drop-in Square Buffet Warmer



Project \_\_\_\_\_

Item No. \_\_\_\_\_

Quantity \_\_\_\_\_

### FEATURES

- Available in 650 watts (U.S. only)
- Drop-in design with aluminum housing
- Unobtrusive, easy-to-clean high temperature glass-ceramic top
- Four standard set temperatures with an option to add up to 11 temperature settings ranging from 80°F (27°C)–250°F (121°C)
- LED display for precise user feedback
- Automatic pan detection allows for instant energy transmission to pan; almost no energy consumption when pan is not present
- Lock feature prevents unwanted setting changes
- Microprocessor monitors vital components to check for overheating, power supply issues, and more
- Standard Cat 5e or Cat 6 patch cable from unit to control box included
- Available in 100–120 VAC, single phase
- Includes plug and cord (6 ft. nominal)
- One-year field-service warranty – U.S. and Canada

### ACCESSORIES (NOT INCLUDED)

- Large Round Chafer, 6.9 qt, Glass Lid with 1/1 SS Insert (Part # 301311)
- Large Round Stainless Insert, 1/1 (Part # CT-103128)
- Large Round Stainless Insert Split Pan, 2/2 (Part # CT-103771)
- Large Round Porcelain Insert, 1/1 (Part # CT-103095)
- Large Round Porcelain Insert Split Pan, 2/2 (Part # CT-103096)
- Medium Round Chafer, 4.8 qt, Glass Lid with 1/1 SS Insert (Part # 301309)
- Medium Round Stainless Insert, 1/1 (Part # CT-103129)
- Medium Round Porcelain Insert 1/1 (Part # CT-103094)
- Serving Spoon Holder, Large or Medium (Part # CT-103097)

### PERFORMANCE

The square CookTek® Silenzio™ buffet warmer features a low-wattage, whisper-quiet drop-in design with aluminum housing and a plain black glass-ceramic top. Each unit is programmed with an automatic pan detection feature to ensure maximum and efficient warming of any induction-compatible enamel cast ironware or traditional chafer.\*



301311 (Large)  
301309 (Medium)



CT-103128 (Large)  
CT-103129 (Medium)



CT-103771 (Large)



CT-103095 (Large)  
CT-103094 (Medium)



CT-103096 (Large)



CT-103097 (Large or Medium)

### CERTIFICATIONS

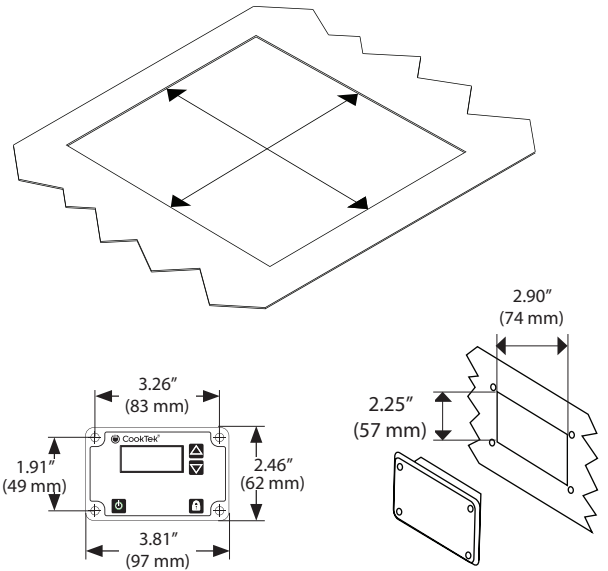
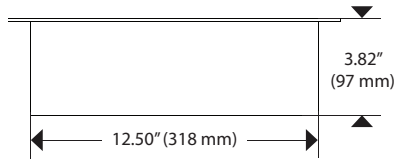
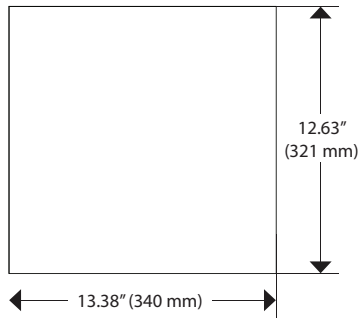


(CROSS-SECTION VIEW)

1. Chafing Dish
2. Silenzio™ Unit
3. Stone Countertop

\*Induction buffet units require the use of induction-compatible (i.e. magnetic) cookware.

It is the owner and installer's responsibility to comply with all local codes. CookTek reserves the right to make substitutions of components or change specifications without prior notice.



DIMENSIONS		
Full Unit Height	3.75"	95 mm
Housing Height	3.5"	89 mm
Full Unit Width	15"	381 mm
Housing Width	14.1"	358 mm
Full Unit Depth	15"	381 mm
Housing Depth	14.1"	358 mm
Cutout Width	14.3"	363 mm
Cutout Depth	14.3"	363 mm
Weight	13 lb.	5.9 kg
CLEARANCE		
Front	2"	51 mm
Sides	2"	51 mm
Rear	2"	51 mm
Below	6"	152 mm
Max Ambient Temperature*	122°F	50°C
SHIPPING INFORMATION		
Packaged Height	10"	254 mm
Packaged Width	20"	508 mm
Packaged Depth	20"	508 mm
Packaged Weight	17 lb.	7.7 kg
Item Class	250 NMFC #26710 HS code 8419.81	

ELECTRICAL SPECIFICATIONS (SINGLE PHASE)			
<b>MODEL B651-D</b>			
UNITED STATES/ CANADA	658501	100-120 V, 50/60 Hz, 5.4 A, 100-650 W	NEMA 5-15P



NEMA 5-15P

\* Adequate cabinet ventilation should be provided for all drop-in models to prevent overheating of unit.

**Global Operations**

2801 Trade Center Drive / Carrollton, Texas 75007 USA  
 US: 800.90TURBO (800.908.8726) / International: +1 214.379.6000  
 Fax: +1 214.379.6073 / www.cooktek.com