

Impinger Low Profile – Advantage Digital Series (Gas)

Domestic and International Models

Parts Manual

Models:

Please note that the model numbering system changed March 2007. The chart below shows the old model numbering system and its matching new model number.

Old Model Number	→	New Model Number
1600-000-A		1600-00z-U-Kxxxx
1601-000-A		1601-00z-U-Kxxxx
		1631-00z-E-Kxxxx
		1632-00z-E-Kxxxx
1633-000-EA	→	1633-00z-E-Kxxxx
1633-050-EA	→	1633-05z-E-Kxxxx
1634-000-EA	→	1634-00z-E-Kxxxx
1634-050-EA	→	1634-05z-E-Kxxxx
		1636-H01-E-Kxxx
		1636-H51-E-Kxxx



Original Document

Document #: LIN_GO_P_IMPLOPRO_S1600_DOMINTL_4605620 rev1 – 07/22

THIS PAGE INTENTIONALLY LEFT BLANK

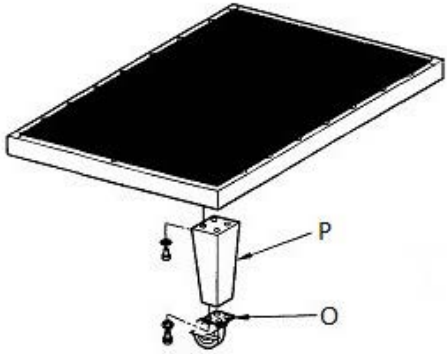
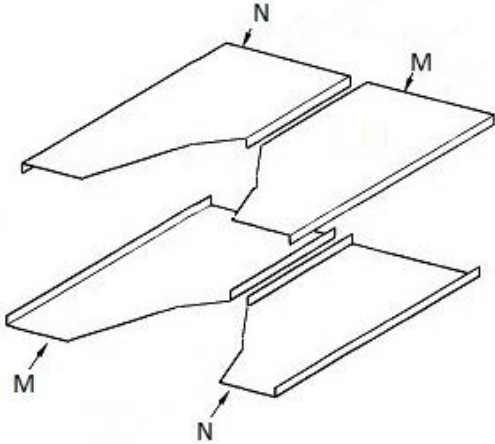
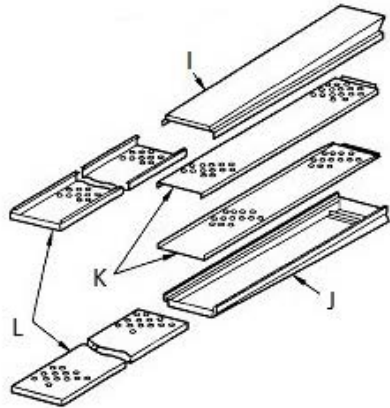
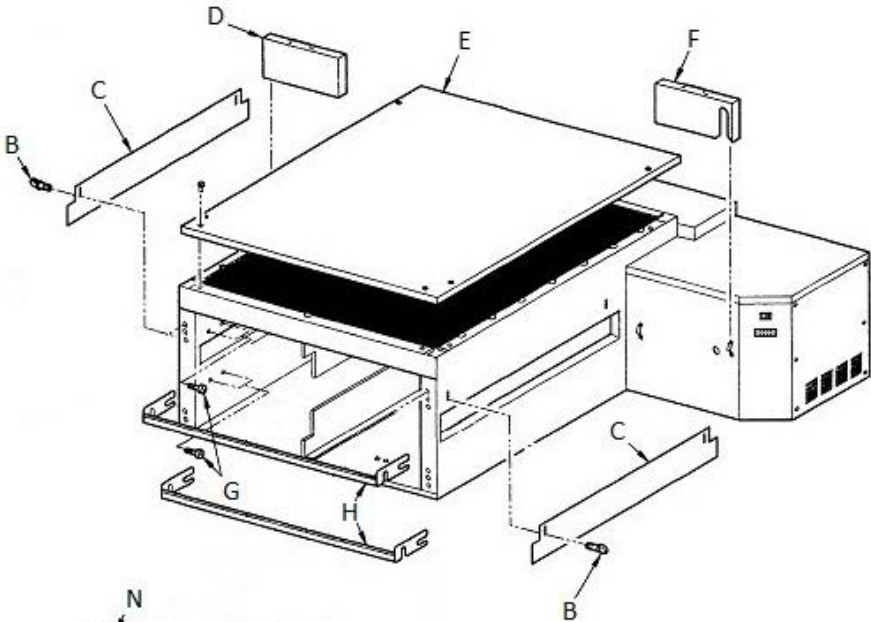
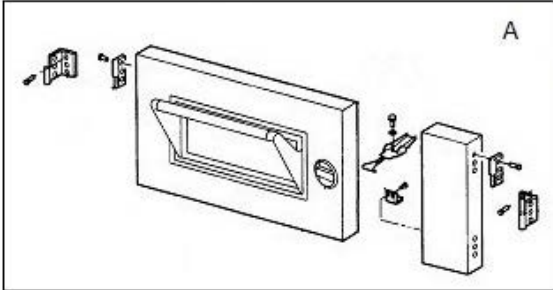
Contents

General	4
Oven Doors	6
Access Door, Stainless Steel	7
Control Box, Right, Domestic	8
Control Box, Right, International	12
Control Box, Left, Domestic	14
Control Box, Left, International	16
Covers, Control Boards, International	18
Component Assemblies, International	19
Gas Train, International	20
Gas Burner, International	21
Oven Back	22
Conveyor – Full Belt – Non-Adjustable	24
Conveyor – Full Belt – Adjustable	26
Conveyor – Split Belt – Adjustable	28
Folding Conveyor	30
Miscellaneous Items	32

General

(-000-) (-050-) (-H01-) (-H51-)

See "Oven Doors" Page #6



General

(-000-) (-050-) (-H01-) (-H51-)

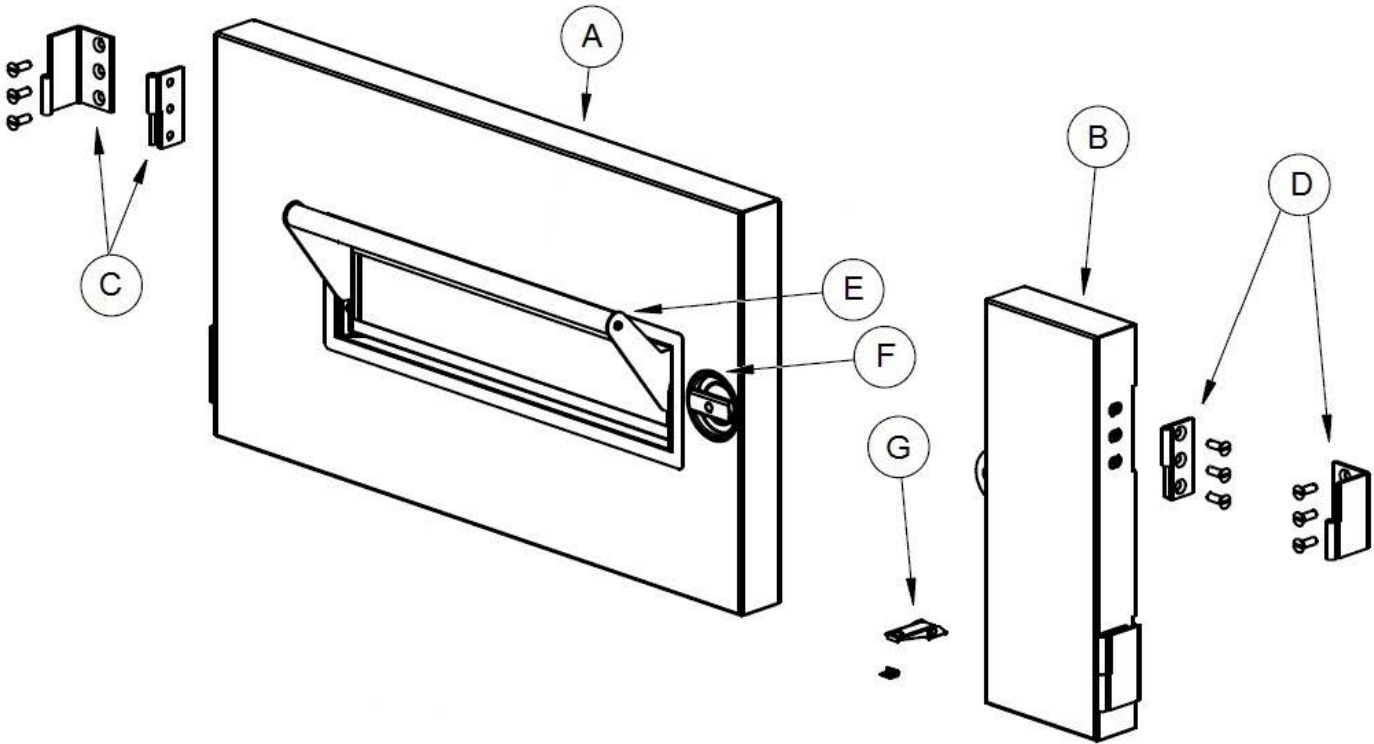
LETTER	PHOTO	PART NUMBER	DESCRIPTION	DOM	INTL
A			See "OVEN DOORS" in this manual – Page 6	√	√
B		369211	Thumb Screw	√	√
C		369058	Baffle	√	√
D		370253	Drive Cover, L.H.	√	√
E		1609	Oven Top	√	√
F		370252	Drive Cover, R.H.	√	√
G		369057	Screw & Spacers, Finger Retaining Bracket	√	√
H		369717	Finger Retaining Bracket	√	√
I		370665*** 371059	Finger Housing T1, T3, B2, B4 (S/N L35950 & below) Finger Housing T1, T3, B2, B4 (S/N L35951 & above)	√	√
J		370664*** 371058	Finger housing T2, T4, B1, B3 (S/N L35950 & below) Finger housing T2, T4, B1, B3 (S/N L35951 & above)	√	√
K			Columnating Plates (Contact Factory)	√	√
L		369707	Finger Cover, Standard	√	√
M		370166 370662**	Baffle, Air Return U.R. L.L. (S/N L35950 & below) Baffle, Air Return U.R. L.L. (S/N L35951 & above)	√	√
N		370167 370663**	Baffle, Air Return U.L. L.R. (S/N L35950 & below) Baffle, Air Return U.L. L.R.. (S/N L35951 & above)	√	√
O		369030 369390	Caster, High Stand Caster, Low Stand	√	√
P		369328	Leg	√	√
Not Shown		369081	Valve, Gas Shut-Off	√	√
Not Shown		370651	Control Box Baffle	√	√
Not Shown		371543	Heat Shield (Korean Model) (used in place of side Baffle)	√	√







** Units from S/N 35951 and above DO NOT contain lower Air Return Baffles. These units only contain a total of two (2) Air Return Baffles which are placed above the top finger assemblies.

*** These parts have minor design changes not shown in the exploded view drawing.

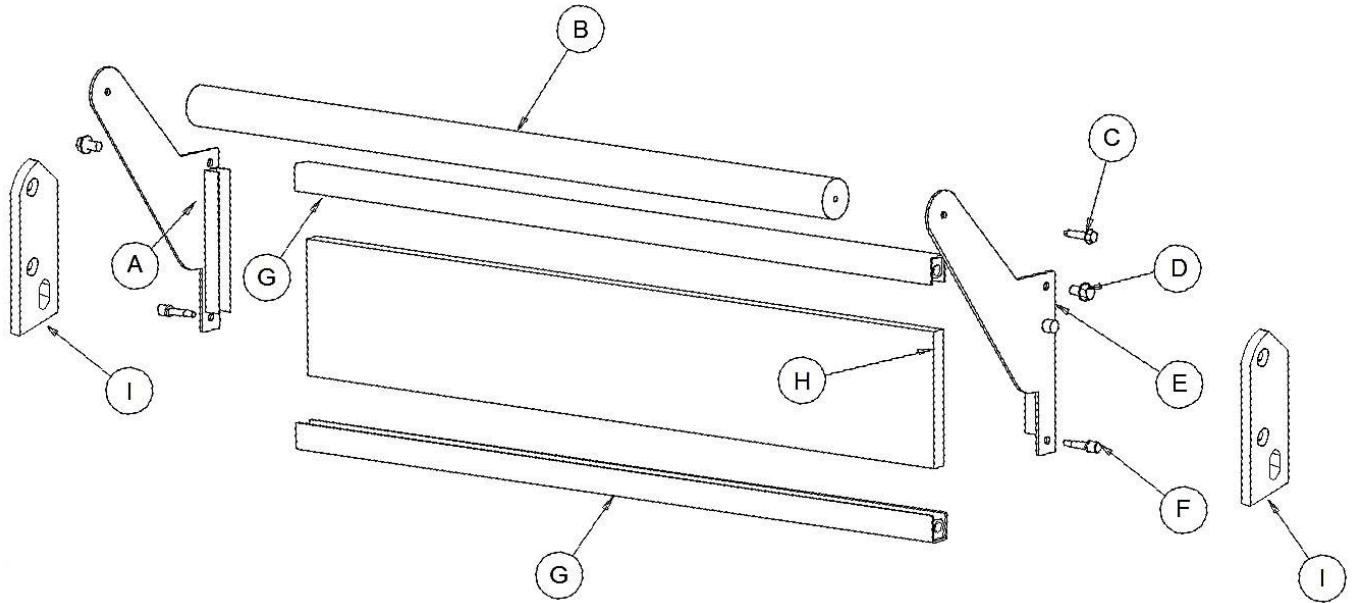
Oven Doors












(-000-) (-050-) (-H01-) (-H51-)



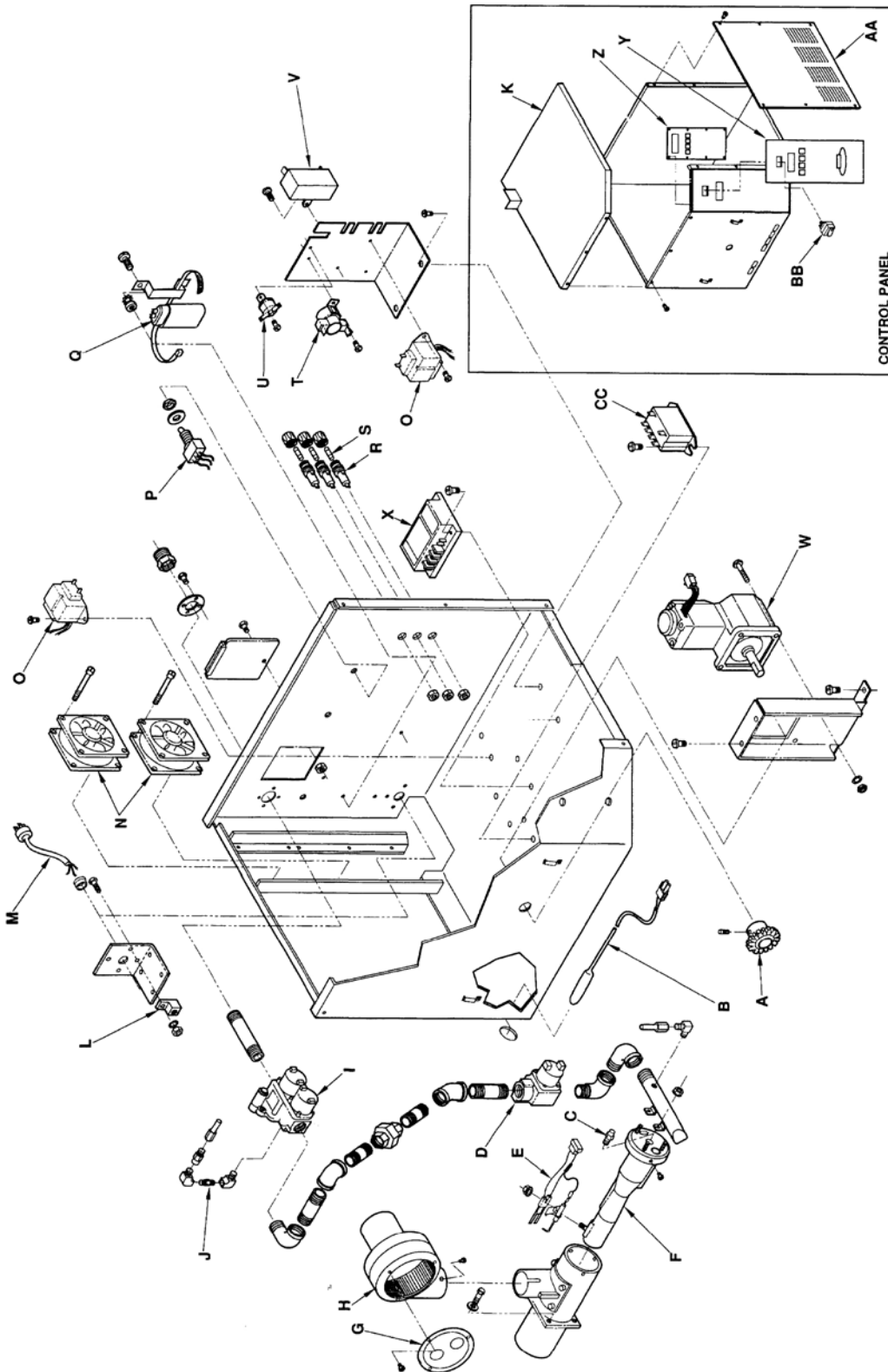
LETTER	PHOTO	PART NUMBER	DESCRIPTION	DOM	INTL
A		369718	Door Assembly W/Window, Large	√	√
B		369723	Door Assembly, Small	√	√
C		369746	Hinge Assembly, Left	√	√
D		369745	Hinge Assembly, Right	√	√
E		369110	Access Door Assembly See Page 7	√	√
F		369740	Handle Assembly	√	√
G		369501 369783	Door Latch Door Catch	√	√
Not Lettered		370723 369925	Glass 3.375"x19.80" (S/N 0908210000875 & above) Glass 3.8"x19.80" Old Style	√	√

Access Door, Stainless Steel All Models (SN 0908210000875 & ABOVE)



LETTER	PHOTO	PART NUMBER	DESCRIPTION	DOM	INTL
		369110	Access Door Assembly	√	√
A		371140	Bracket Assembly, Left	√	√
B		371142	Dowel, Access Door	√	√
C		370722	Screw	√	√
D		371143	8-32 x 3/8 Hx Serrated Flange	√	√
E		371141	Bracket Assembly, Right	√	√
F		370725	Dowel Thread	√	√
G		371144	Access Door Frame (top or bottom)	√	√
H		370723	Glass 3.375"x19.80"	√	√
I		369929	Window Retainer	√	√
Not Shown		369931	Retainer Screw	√	√

Control Box, Right, Domestic



Control Box, Right, Domestic

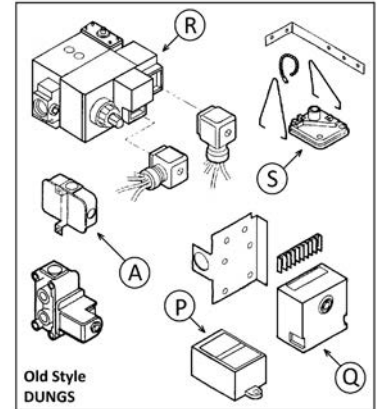
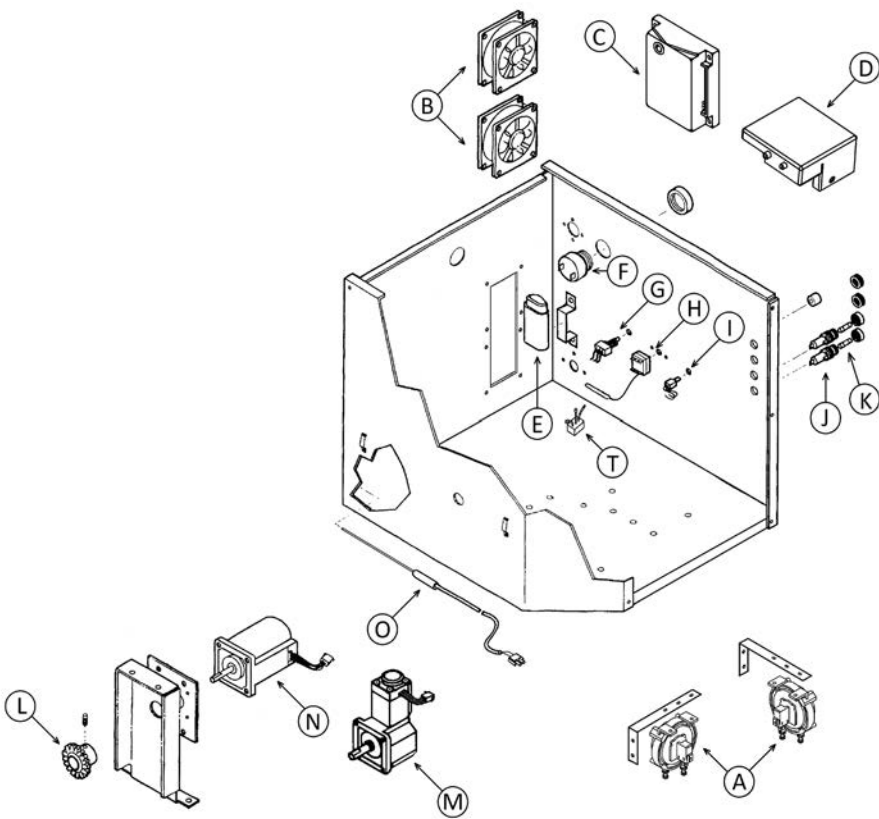
LETTER	PHOTO	PART NUMBER	DESCRIPTION	CRITICAL / RECOMM
A		369158	SPROCKET, DRIVE (S/N 1003210001096 AND BELOW)	
		370987	DRIVE SPROCKET (S/N 1003210001097 AND ABOVE)	
B		370357	THERMOCOUPLE TYPE K	
		4604570	THERMOCOUPLE MODEL 1602/1603 ONLY - RIGHT	
C		369757	MAIN ORIFICE, NAT .136	
		2605060	MAIN ORIFICE, LP .0846	
D		369398	SOLENOID VALVE	
E		369552	HOT SURFACE IGNITER	
		370304	CONNECTOR HOT SURFACE IGNITER	
F		369755	VENTURI, NAT	
		369642	VENTURI, LP	
G		369401	AIR SHUTTER ASSY	
H		4071242	BURNER BLOWER MOTOR	
I		369263	GAS VALVE	
J		370031	BY-PASS ORIFICE NAT .061	
		369557	BY-PASS ORIFICE LP .0374	
K		370251	CONTROL BOX TOP RH	
L		353082	GROUND LUG	
M		369537	POWER CORD	
N		369124	COOLING FAN	
O		9900250	TRANSFORMER 24VAC SECONDARY	
P		370359	REVERSING SWITCH	
Q		369192	CAPACITOR	
R		369012	FUSE HOLDER	
S		369013	FUSE 3A	
		369014	FUSE 10A	
T		369507	THERMOSTAT COOLING FAN	
U		369431	THERMOSTAT CONTROL BOX HI LIMIT	
V		370352	CAPACITOR, CONV. MTR (S/N 1003210001096 AND BELOW)	
		371206	CAPACITOR, CONV. MTR (S/N 1003210001097 AND ABOVE)	
W		370353	CONVEYOR MOTOR (S/N 1003210001096 AND BELOW)	
		371205	CONVEYOR MOTOR (S/N 1003210001097 AND ABOVE)	
X		369532	IGNITION CONTROL	
Y		370354	FASCIA LABEL	
Z		370355	CONTROL, OVEN	
		371195	CONVEYOR CONTROL (SPLIT BELT ONLY)	
		371544	TEMP CONTROL (SPLIT BELT ONLY)	
		371196	CONTROL (SPLIT BELT ONLY)	

Control Box, Right, Domestic

LETTER	PHOTO	PART NUMBER	DESCRIPTION	CRITICAL / RECOMM
AA		370256	SIDE PANEL RH	
BB		369805	SWITCH, POWER	
CC		369523	RELAY	
Not Shown		370495	BRACKET COOLING FAN RH	
Not Shown		70001436	THERMOCOUPLE COVER - USE SCREW 2023008	
Not Shown		371341	REVERSE SWITCH COVER	
Not Shown		371480	FUSE LABEL	
Not Shown		371524	WIRE HARNESS MAIN (RIGHT)	
Not Shown		370905	FUSE GUARD (BOSTON PIZZA)	
Not Shown		371539	BULK HEAD ASSEMBLY	
Not Shown		370257	BRKT GEAR MOTOR (S/N 1003210001097 AND ABOVE)	
Not Shown		371482	CLIP RC-1-183	
Not Shown		70002182	CHAIN GUARD BRACKET	
Not Shown		390131	SIGHT GLASS	
Not Shown		369775	BURNER TUBE	

THIS PAGE INTENTIONALLY LEFT BLANK

Control Box, Right, International (-000-) (-050-) (-H01-) (-H51-)

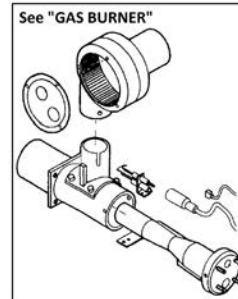
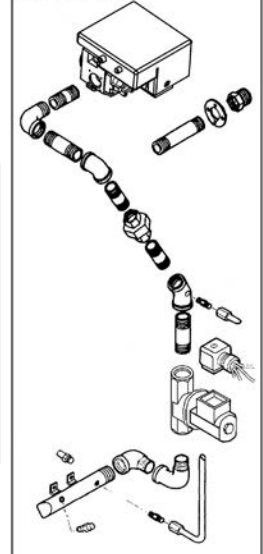


Old Style
DUNGS

S/N L31478 & Below

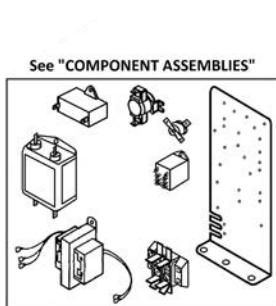
See Page #20

See "GAS TRAIN"



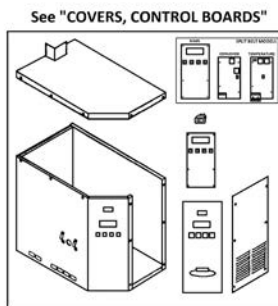
See "GAS BURNER"

See Page #21



See "COMPONENT ASSEMBLIES"

See Page #19



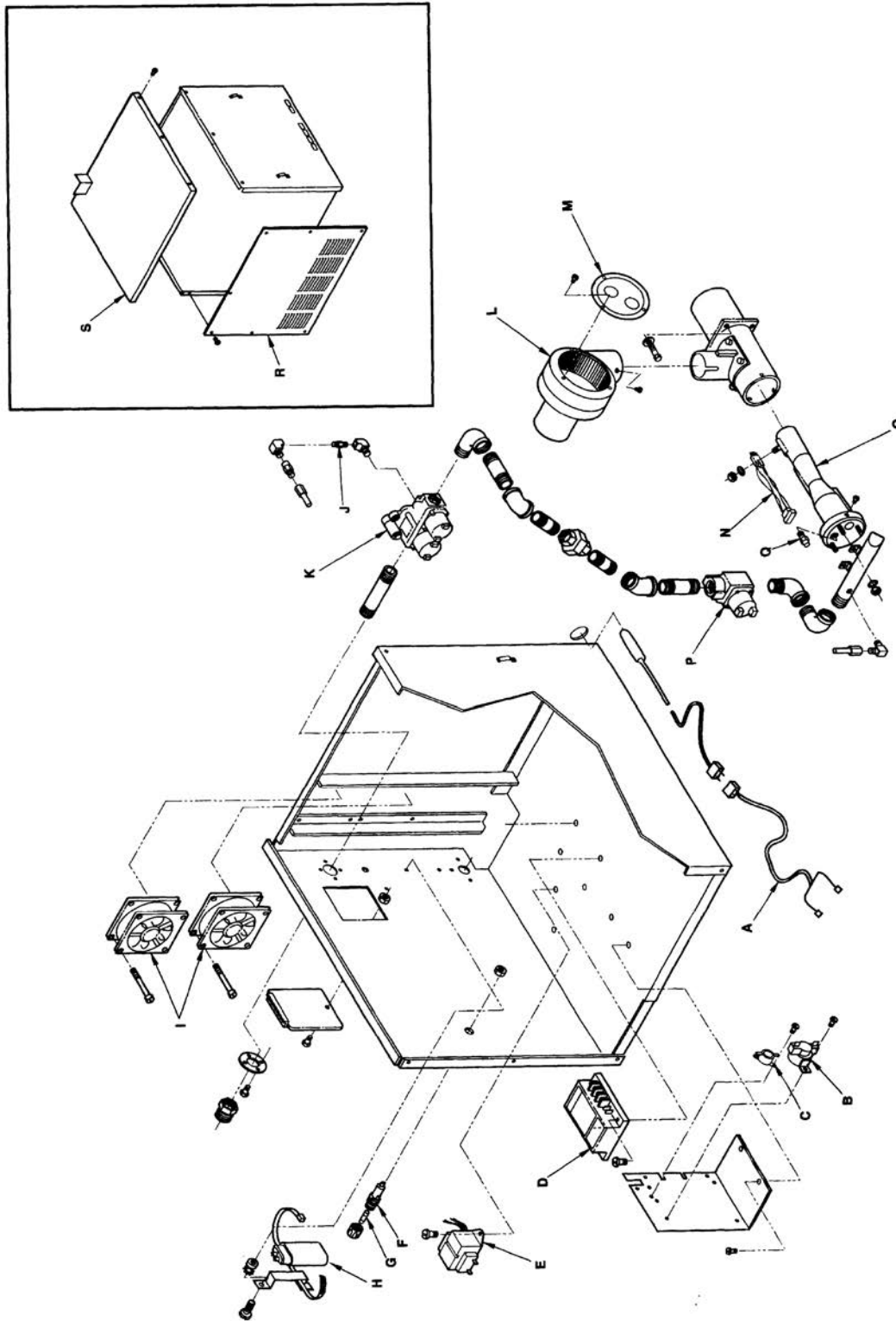
See "COVERS, CONTROL BOARDS"

See Page #18

Control Box, Right, International (-000-) (-050-) (-H01-) (-H51-)

LETTER	PHOTO	PART NUMBER	DESCRIPTION	CRITICAL / RECOMM.
A		370673	Air Pressure Switch, Blower (All Serial Numbers) Air Pressure Switch, Burner (S/N L31479 & Above)	
B		369378	Cooling Fan	
C		4604018	Ignition Module, Techrite (S/N 1803100100611 & Above)	
D		370401	Ignition Module, Honeywell (S/N L31479 to 1803100100610)	
E *E		369192 11010005779	Capacitor, 7.5µF 90C *Capacitor, 10.F 90C (1631, 1632 with S/N 1809100183245 & Below Only)	
F		369579	Burner Alarm	
G		370359	Reversing Switch, Conveyor	
H *H		369368 11010005813	High Limit Thermostat 660F, Oven Cavity High Limit Thermostat 698F, Oven Cavity (1631, 1632 Only)	
I		369771	Reset Switch, Burner	
J		357107	Fuse Holder	
K		369013 369014	Fuse, 3A Fuse, 10A	
L		369158 370987	Sprocket, 10T #35 (S/N 1007210001096 & Below) Sprocket, 15T, #25 (S/N 1007210001097 & Above)	
M		370361	Conveyor Motor (S/N 10072100010963 & Below)	
N		371209	Conveyor Motor (S/N 1007210001097 & Above)	
O		370357 4604570	Thermocouple, Type K (1633, 1634, 1636 Only) Thermocouple, Type K (1631, 1632 Only)	
P		369574	Spark Generator (S/N L31478 & Below) (Dungs)	
Q		369573	Ignition Control (S/N L31478 & Below) (Dungs)	
R		369580	Gas Valve (S/N L31478 & Below) (Dungs)	
S		370673	Pressure Switch, Burner (S/N L31478 & Below) (Dungs)	
T		370184	RFI Filter	
Not Shown		370117	Terminal Block 5 Pole	

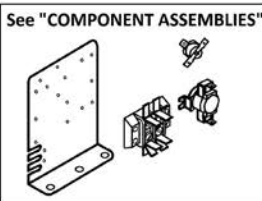
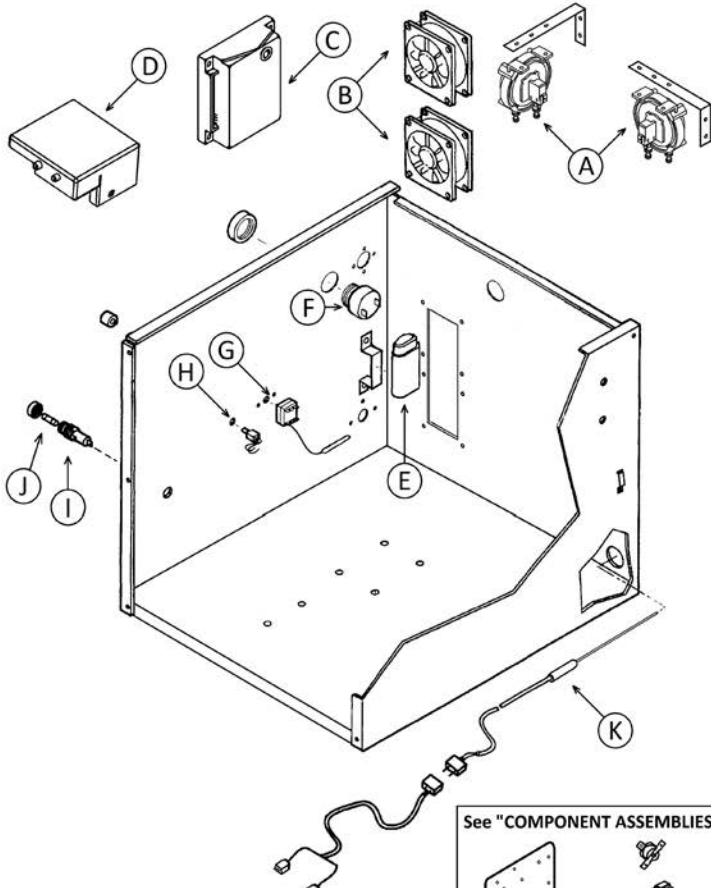
Control Box, Left, Domestic



Control Box, Left, Domestic

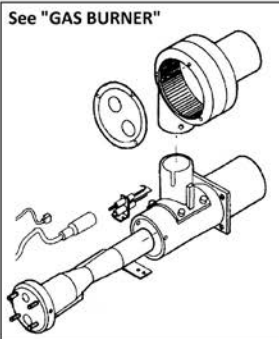
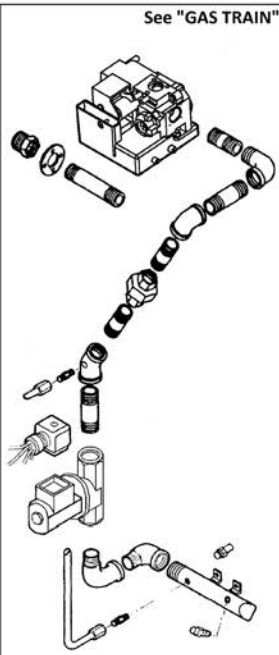
LETTER	PHOTO	PART NUMBER	DESCRIPTION	CRITICAL / RECOMM
A		370358	THERMOCOUPLE WITH EXTENSION, TYPE K	
		4604571	THERMOCOUPLE MODEL 1602/1603 ONLY - LEFT	
B		369507	THERMOSTAT, COOLING FAN	
C		369431	THERMOSTAT, CONTROL BOX HI LIMIT	
D		369532	IGNITION CONTROL	
E		9900250	TRANSFORMER 24 VAC	
F		369012	FUSE HOLDER	
G		369014	FUSE 10 A	
H		369192	CAPACITOR	
I		369124	COOLING FAN	
J		370031	BY-PASS ORIFICE, NAT .062	
		369557	BY-PASS ORIFICE, LP .0374	
K		369263	GAS VALVE	
L		4071242	BURNER BLOWER MOTOR	
M		369401	AIR SHUTTER ASSY	
N		369552	HOT SURFACE IGNITER	
		370304	CONNECTOR HOT SURFACE IGNITER	
O		369755	VENTURI, NAT	
		369642	VENTURI, LP	
P		369398	SOLENOID VALVE NAT/LP	
Q		369757	MAIN ORIFICE, NAT .136	
		2605060	MAIN ORIFICE, LP .0846	
R		370272	SIDE PANEL, LH	
S		370250	CONTROL BOX TOP, LH	
Not Shown		370496	BRACKET, COOLING FAN LH	
Not Shown		70001436	THERMOCOUPLE COVER - USE SCREW 2023008	
Not Shown		371481	FUSE LABEL	
Not Shown		371523	WIRE HARNESS (LEFT)	
Not Shown		390131	SIGHT GLASS	
Not Shown		369775	BURNER TUBE	
Not Shown		371539	BULKHEAD ASSY	

Control Box, Left, International (-000-) (-050-) (-H01-) (-H51-)

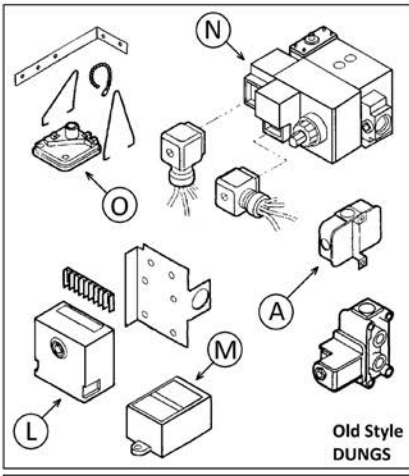


See Page #19

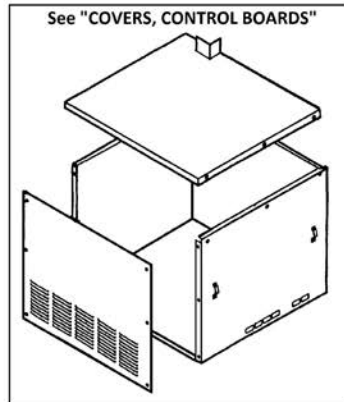
See Page #20



See Page #21



S/N L31478 & Below



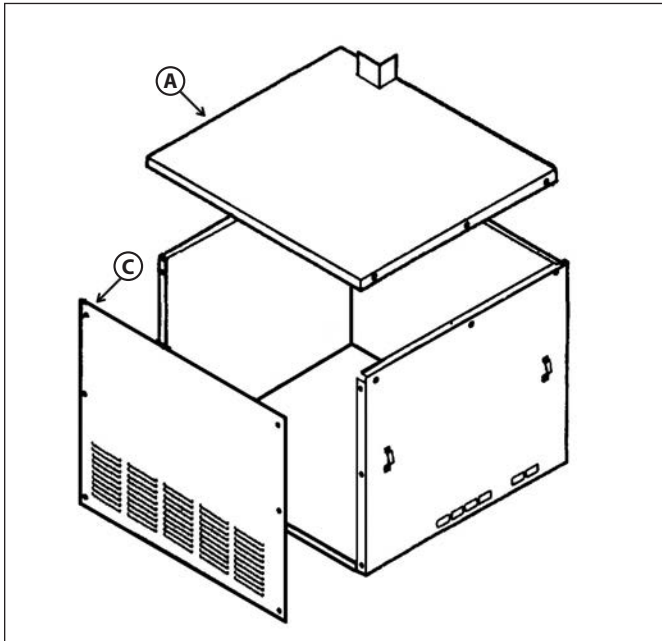
See Page #18

Control Box, Left, International (-000-) (-050-) (-H01-) (-H51-)

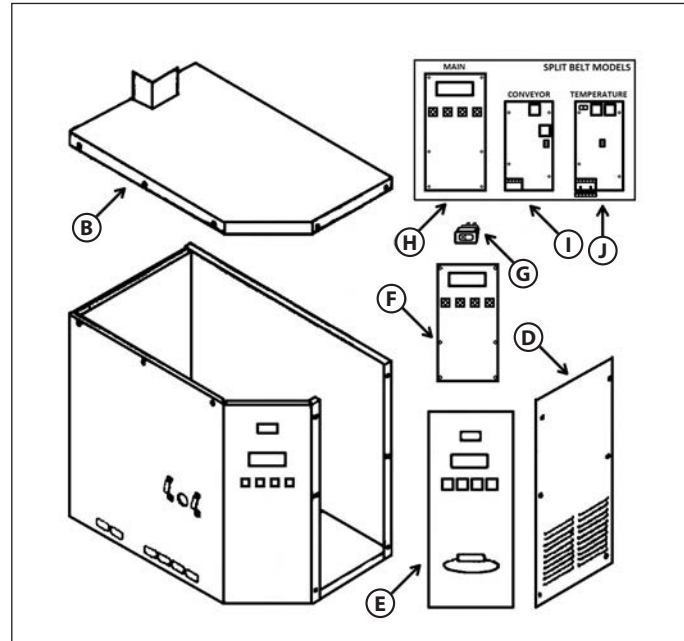
LETTER	PHOTO	PART NUMBER	DESCRIPTION	CRITICAL / RECOMM.
A		370673	Air Pressure Switch, Blower (All Serial Numbers) Air Pressure Switch, Burner (S/N L31479 & Above)	
B		369378	Cooling Fan	
C		4604018	Ignition Module, Techrite (S/N 1803100100611 & Above)	
D		370401	Ignition Module, Honeywell (S/N L31479 to 1803100100610)	
E *E		369192 11010005779	Capacitor, 7.5µF 90C *Capacitor, 10.F 90C (1631, 1632 with S/N 1809100183245 & Below Only)	
F		369579	Burner Alarm	
G *G		369368 11010005813	High Limit Thermostat 660F, Oven Cavity High Limit Thermostat 698F, Oven Cavity (1631, 1632 Only)	
H		369771	Reset Switch, Burner	
I		357107	Fuse Holder	
J		369014	Fuse, 10A	
K		370358 4604571	Thermocouple, (W/Extension) (1633, 1634, 1636 Only) Thermocouple, (W/Extension) (1631, 1632 Only)	
L		369574	Spark Generator (S/N L31478 & Below) (Dungs)	
M		369573	Ignition Control (S/N L31478 & Below) (Dungs)	
N		369580	Gas Valve (S/N L31478 & Below) (Dungs)	
O		370673	Pressure Switch, Burner (S/N L31478 & Below) (Dungs)	






Covers, Control Boards, International (-000-) (-050-) (-H01-) (-H51-)

Left Side Covers



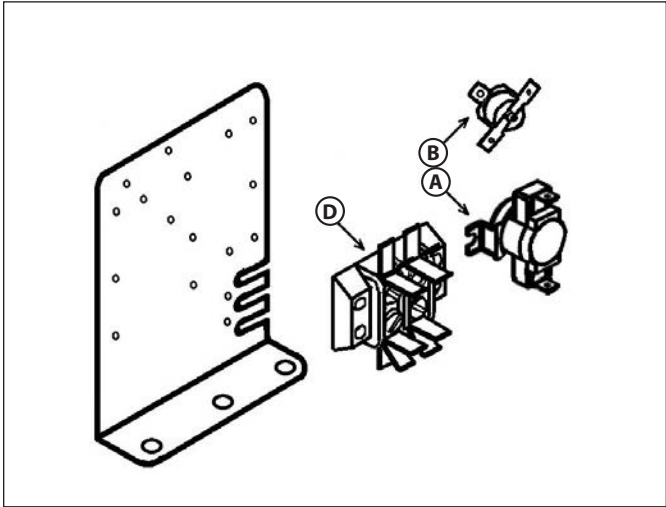
Right Side Covers & Controls



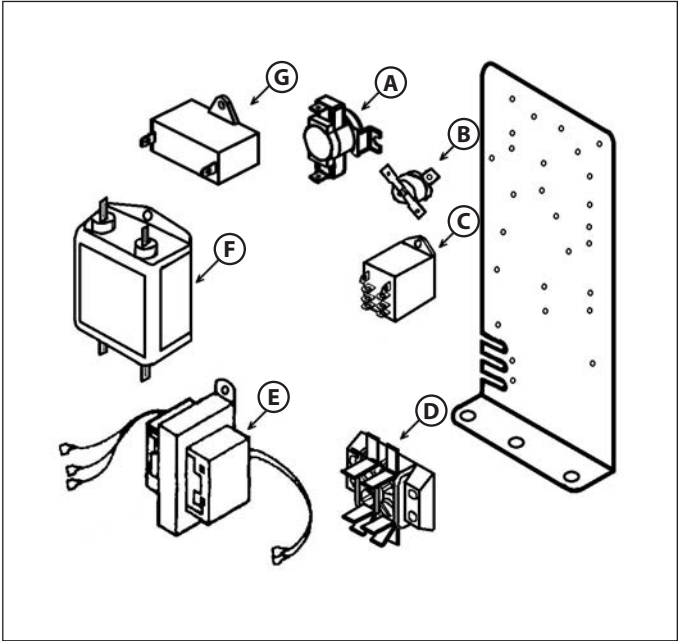
LETTER	PHOTO	PART NUMBER	DESCRIPTION	CRITICAL / RECOMM
A		370250	Control Box Top, L.H.	
B		370251	Control Box Top, R.H.	
C		370272	Side Panel, L.H.	
D		370256	Side Panel, R.H.	
E		370354	Push Button Facia, Label	
*E		11020000496	*Push Button Facia, Label (with Presets 1,2,3,4)	
F		11010005990	Oven Controller (Full Belt Only) (Delay & Presets)	
G		369432	On/Off Switch	
H		371196	Oven Controller, Main (Split Belt Only) (-050-) (-H51-)	
I		371195	Conveyor Controller (Split Belt Only) (-050-) (-H51-)	
J		371544	Temperature Controller (Split Belt Only) (-050-) (-H51-)	








Component Assemblies, International (-000-) (-050-) (-H01-) (-H51-)

Left Side Component Assembly

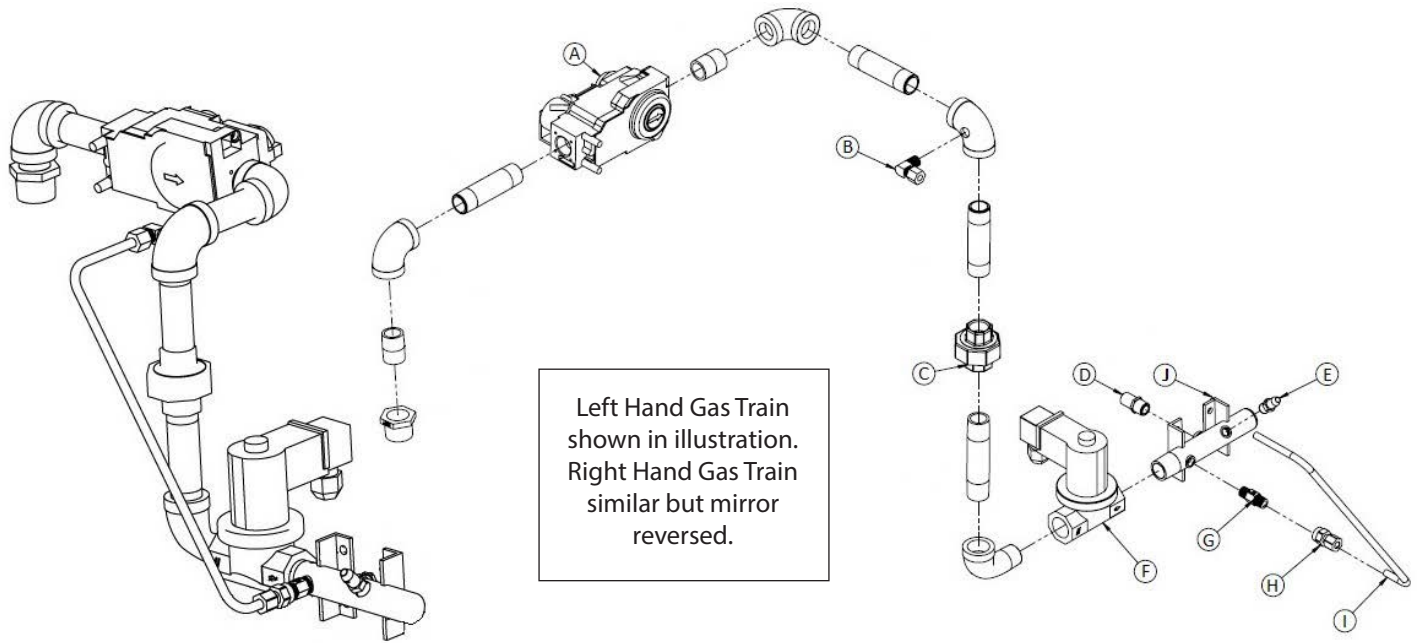


Right Side Component Assembly



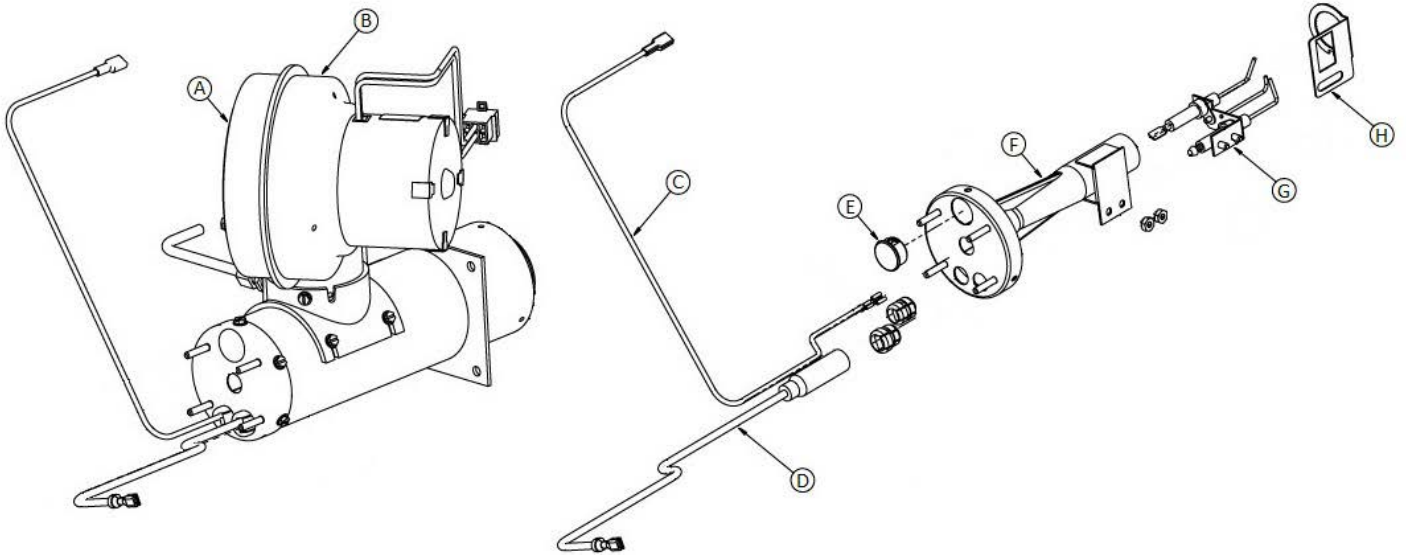
LETTER	PHOTO	PART NUMBER	DESCRIPTION	CRITICAL / RECOMM
A		369507	Thermostat, Cooling Fan	
B		369431	Thermostat, Control Box Hi-Limit	
C		369422	Relay	
D		369125	Terminal Block 2 Pole	
E		370241	Transformer, Control (24 VAC)	
F		370387	Filter, EMI	
G		370360 371207	Capacitor, Conv. Mtr. (S/N 10072100010963 & Below) Capacitor, Conv. Mtr. (S/N 10072100010964 & Above)	








Gas Train, International (-000-) (-050-) (-H01-) (-H51-)



LETTER	PHOTO	PART NUMBER	DESCRIPTION	CRITICAL / RECOMM
*A		369580	*Gas Valve, Dungs (S/N L31478 & below) (Dungs)	
A		370400	Gas Valve, (S/N L31479 & above) (Honeywell) (Techrite)	
B		369972	Elbow, Male 1/4" tube 1/8" NPT	
C		369564	Union, 1/2" x 1/2"	
D		369757	NAT Main Orifice, .136" / 3.45mm	
		369758	LP Main Orifice, .0860" / 2.18mm	
*D		11010005743	*NAT Main Orifice, .142" / 3.607mm (1631, 1632 Only)	
		11010005745	*LP Main Orifice, .0866" / 2.20mm (1631, 1632 Only)	
E		369689	Pressure Tap Fitting	
F		370186	Valve, Solenoid 220V	
G		370031	NAT Bypass Orifice, .061" / 1.55mm	
		369557	LP Bypass Orifice, .0374" / .95mm	
H		369577	Connector, Female 1/4" tube 1/8" NPT	
I		369973	Bypass Tube, 1/4" tube	
J		11010005722	Manifold, Orifice	

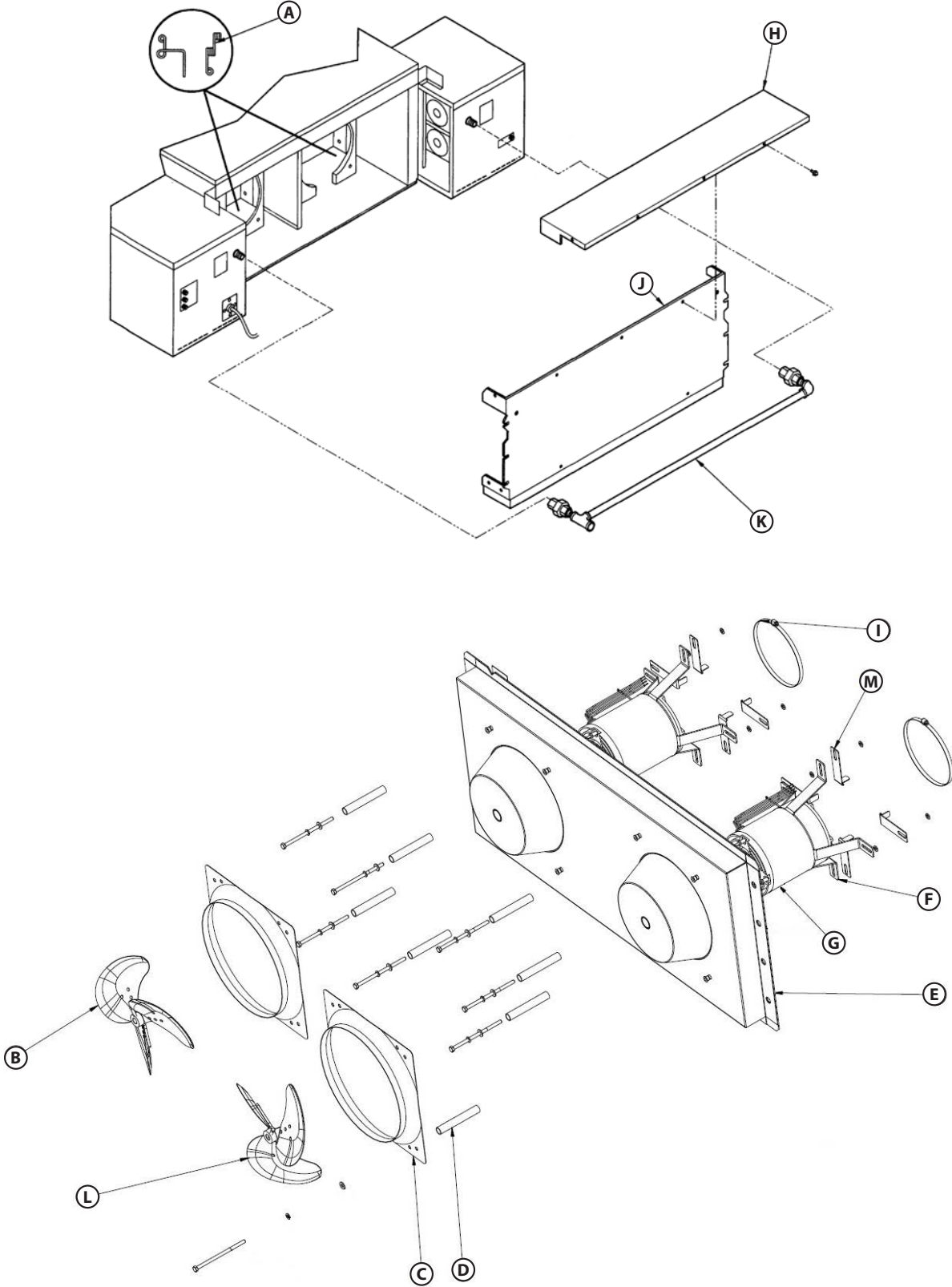
Gas Burner, International (-000-) (-050-) (-H01-) (-H51-)













LETTER	PHOTO	PART NUMBER	DESCRIPTION	CRITICAL / RECOMM
A *A		369401 11010005747	Air Shutter Assembly *Air Shutter Assembly (Pie Shaped) (1631, 1632 Only)	
B		369589	Burner Blower Motor	
C		370399	TWLA Flame Sensor Cable	
D		369656 370398	Ignitor Cable (S/N L31478 & Below) (Dungs) Ignitor Cable (S/N L31479 & Above) (Honeywell)	
*D		11010005771	5mm Ignitor Cable Assembly *(for Techrite Ignition)	
E		390131	Site Glass	
F		369654 369937 369773	Venturi, NAT (for Honeywell Ignition) (1631 Only) Venturi, NAT (for Honeywell Ignition) Venturi, LP (for Honeywell Ignition)	
*F		369654 369939	Venturi Spark, NAT *(for Techrite Ignition) Venturi Spark, LP *(for Techrite Ignition)	
G		369590	Ignitor Assembly (S/N L31478 & Below) (Dungs)	
G		370397	Ignitor Assembly (S/N L31479 & Above) (Honeywell) (Techrite) (1633, 1634, 1636 Only)	
*G		4603797	*Spark Ignitor Assembly (1631, 1632 Only)	
H		4603783	Ring Bracket	

Oven Back

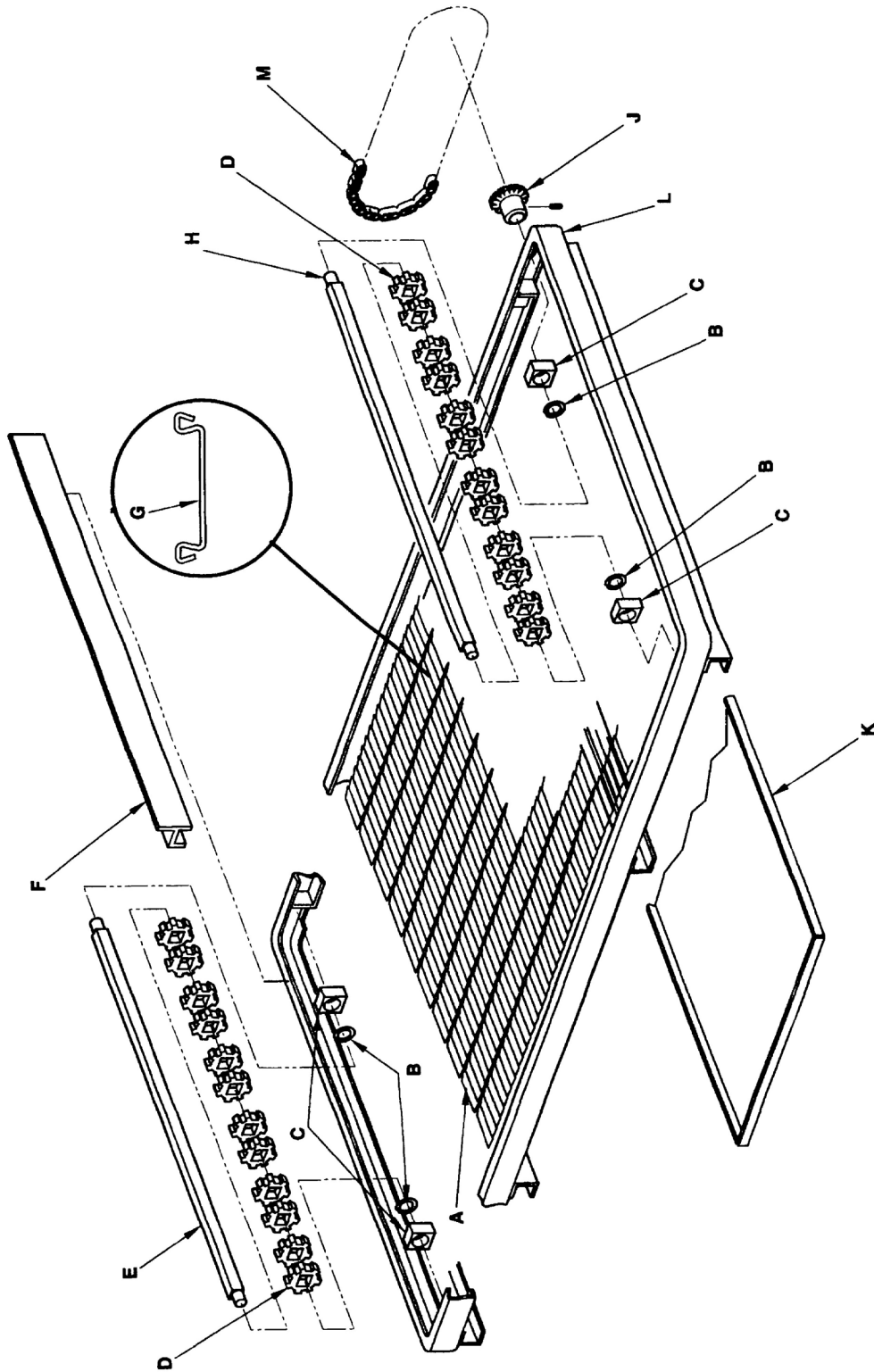
(-000-) (-050-) (-H01-) (-H51-)
















Oven Back (-000-) (-050-) (-H01-) (-H51-)

LETTER	PHOTO	PART NUMBER	DESCRIPTION	DOM	INTL
A		369547	Wire Form Thermostat Bulb	√	√
B		369725	Fan, Counterclockwise Rotation CCW	√	√
C		7004305	Fan Shroud	√	√
D		369655	Stand-off	√	√
E		369778	Rear Wall Assembly	√	√
F		369581	Motor Support Assembly	√	√
G		369759	Motor, Main Fan 220/240V 50 Hz.		√
G		369726	MOTOR, MAIN FAN 120V; 60Hz; 3,000 RPM	√	
*G		11010005778	"*Motor, Main Fan 115/230V 50/60 Hz. (1631, 1632 with S/N 1809100183245 & Below Only)"		√
*G		11010005842	MOTOR HIGH SPEED; 3,450 RPM (MODEL 1602/1603 ONLY)	√	
H		1627	Duct Cap	√	√
I		369033	Motor Clamp	√	√
J		370245	Rear Duct	√	√
K		370246	Manifold Assembly	√	√
L		369724	Fan, Clockwise Rotation CW	√	√
M		369695	Bracket, Motor Strap	√	√
not shown		370350	12 PIN CONNECTOR KIT	√	√
not shown		369697	SCREW #8-32x3/8" (for rear cover)	√	√

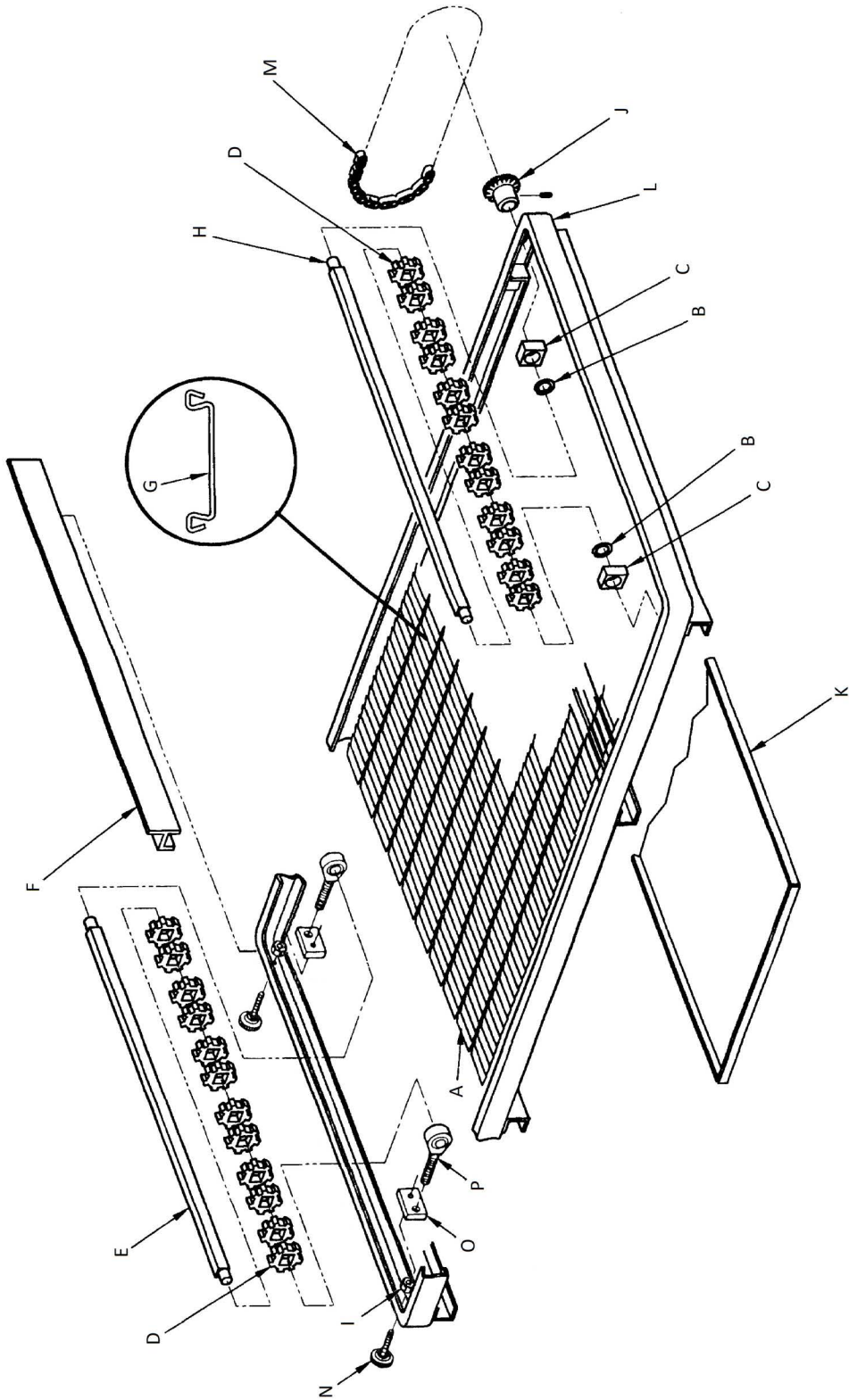
Conveyor - Full Belt - Non-Adjustable (-000-)



Conveyor - Full Belt - Non-Adjustable (-000-)

LETTER	PHOTO	PART NUMBER	DESCRIPTION	DOM	INTL
		369830	Complete conveyor	√	√
A		369816 369163	Conveyor belt, complete (30" wide belt) Conveyor belt, complete (32" wide belt)	√	√
*A		370092 369362	*Belt, 1ft. section (30" wide belt) *Belt, 1ft. section (32" wide belt)	√	√
B		369825	Retaining ring	√	√
C		369813	Conveyor bearing block	√	√
D		369314	Roll, conveyor, notched	√	√
E		369812	Conveyor idler shaft	√	√
F		369160	Conveyor pan stop	√	√
G		369814 369005	Connecting link (30" wide belt) Connecting link (32" wide belt)	√	√
H		369811	Conveyor drive shaft	√	√
J		369161 371204	Roller chain sprocket #35 S/N1007210001096 & Below Roller chain sprocket #25 S/N1007210001097 & Above	√	√
*J		369413	*Drive Key	√	√
K		369806	Crumb pan	√	√
L		370050	Conveyor frame	√	√
M		370247 371208	Drive chain #35 S/N1007210001096 & Below Drive chain #25 S/N1007210001097 & Above	√	√
Not shown		370115	Crumb Pan Bracket	√	√
Not shown		371525	Crumb Tray Vented	√	√

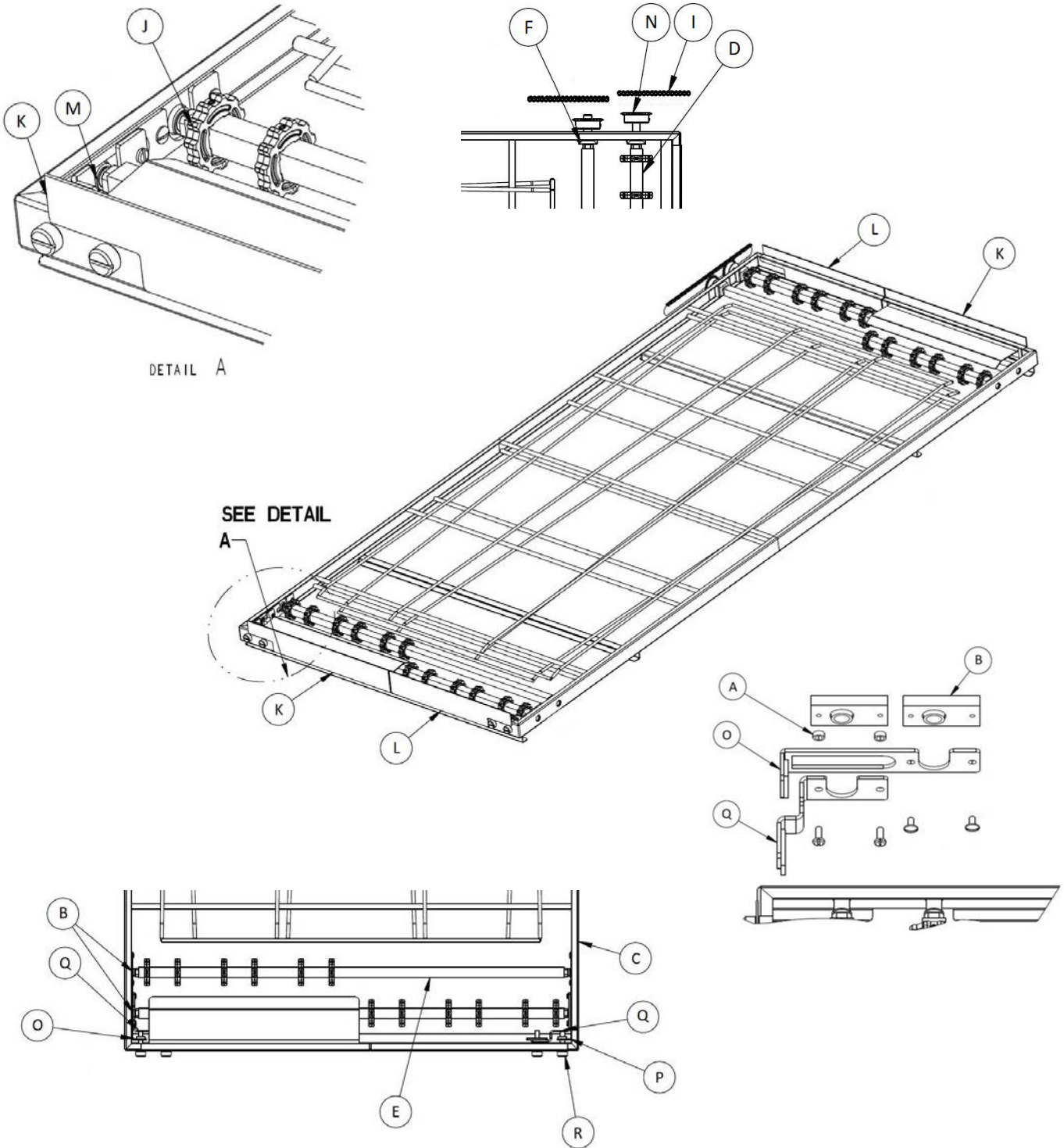
Conveyor - Full Belt - Adjustable (-H01-)



Conveyor - Full Belt - Adjustable (-H01-)

LETTER	PHOTO	PART NUMBER	DESCRIPTION	DOM	INTL
		369117	Complete Conveyor Assembly	√	√
A		369163	Conveyor belt, complete (32" wide belt)	√	√
*A		369362	*Belt, 1ft. section (32" wide belt)	√	√
B		369825	Retaining Ring Ext	√	√
C		369813	Conveyor Bearing Block	√	√
D		369314	Roller - Notched	√	√
E		369812	Shaft, Idler	√	√
F		369160	Conveyor Pan Stop	√	√
G		369005	Conveyor Belt Connecting Links	√	√
H		369811	Drive Shaft	√	√
I		371502	Jam Nut	√	√
J		369161 371204	Roller Chain Sprocket #35 (S/N 1007210001096 & Below) Roller Chain Sprocket #25 (S/N1007210001097 & Above)	√	√
*J		369413	*Drive Key	√	√
K		369806	Crumb Pan	√	√
L		9002011	Conveyor Frame Assembly	√	√
M		370247 371208	Drive Chain #35 (S/N 1007210001096 & Below) Drive Chain #25(S/N 10072100010964 & Above)	√	√
N		369002	Tension Knob, Conveyor	√	√
O		369641	Idle Bearing Bracket	√	√
P		369220	Rod End, Male	√	√

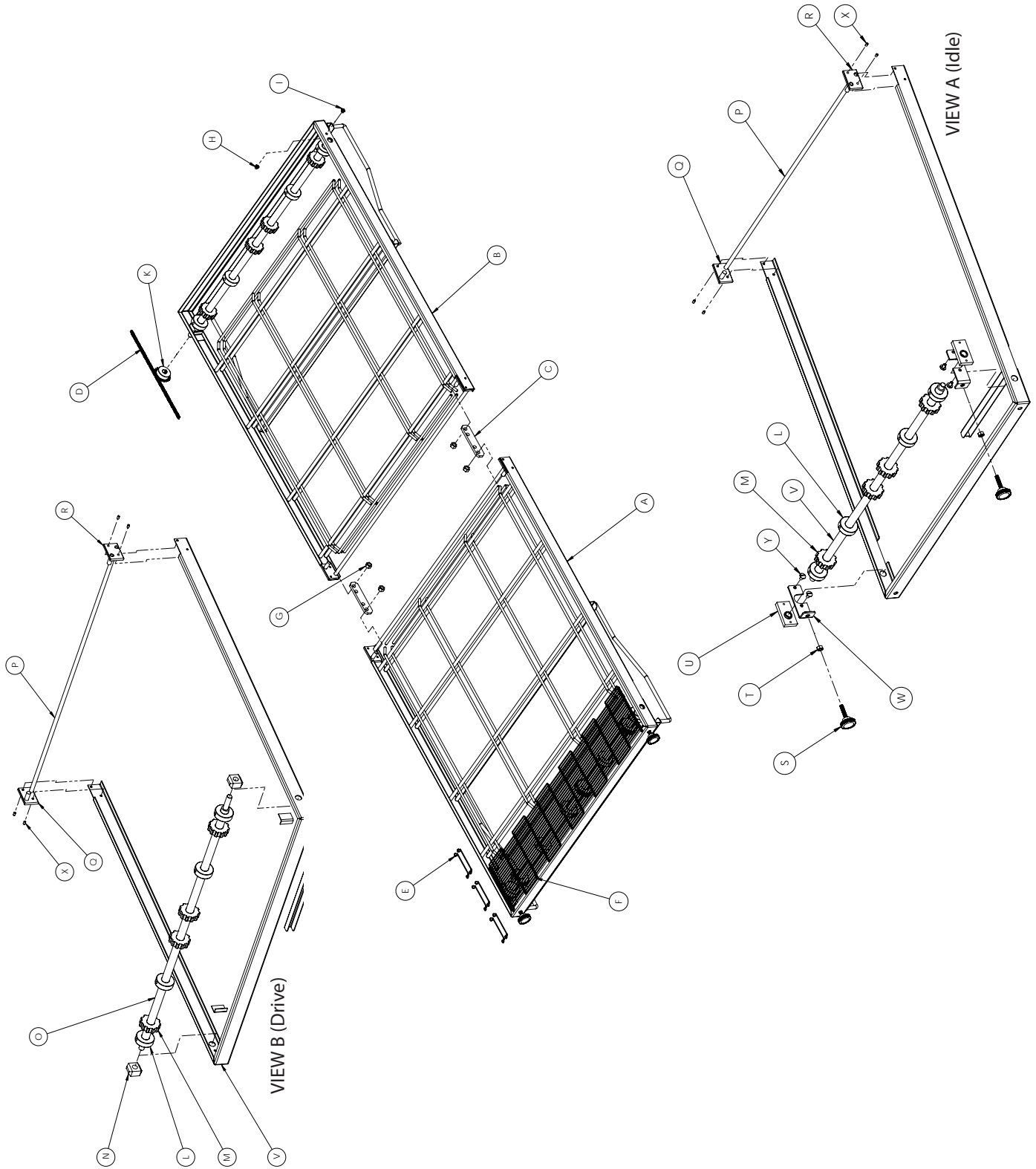
Conveyor - Split Belt - Adjustable (-050-) (-H51-)



Conveyor - Split Belt - Adjustable (-050-) (-H51-)

LETTER	PHOTO	PART NUMBER	DESCRIPTION	DOM	INTL
		371517	Complete Conveyor Assembly	√	√
A		70001344	Spacer, SB	√	√
B		390145	Assembly, Conveyor Bushing	√	√
C		371518	Assembly, Conveyor Frame	√	√
D		369811	Assembly, Drive Shaft	√	√
E		369812	Assembly, Idle Shaft	√	√
F		369813	Bearing Block	√	√
G		369273	Conveyor Belt with Clips	√	√
H		369005	Connecting Link	√	√
I		371208	Drive Chain #25	√	√
J		369314	Drive Sprocket with Screw	√	√
K		371521	Pan Stop	√	√
L		371496	Pan Stop, SB Entry	√	√
M		369825	Retaining Ring	√	√
N		371204	Roller Chain Sprocket #25	√	√
O		S90000633	Tensioner RH Assembly	√	√
P		S90000634	Tensioner LH Assembly	√	√
Q		371202	Tensioner Assembly	√	√
R		10004242	Screw, Thumb	√	√
Not shown		370115	Crumb Pan Bracket	√	√
Not shown		371525	Crumb Tray Vented	√	√
Not shown		369806	Crumb Pan	√	√

Folding Conveyor








Folding Conveyor

LETTER	PHOTO	PART NUMBER	DESCRIPTION	DOM	INTL
		90000270	COMPLETE, FOLDING CONVEYOR ASSY	√	√
A		371201	ASSY CONVEYOR FRAME LH, (Idle) includes Shelf & Sprockets	√	√
B		371200	ASSY CONVEYOR FRAME RH, (Drive) includes Shelf & Sprockets	√	√
C		371198	BAR, CONNECTOR PIVOT	√	√
D		371208	CHAIN, ROLLER #25	√	√
E		369005	CONNECTING LINK	√	√
F		369163	CONVEYOR BELT	√	√
G		371199	NUT 3/8-16 LOCKING	√	√
H		10004047	NUT ACORN 10-32 SS	√	√
I		11010005767	MACH. SCREW PAN HD, PH, #10-32X3/16	√	√
K		371204	SPROCKET	√	√
L		369039	BLANK DRIVE GEAR, (Idle Sprocket)	√	√
M		369038	ROLL, CONVEYOR, NOTCHED (Drive Sprocket)	√	√
N		369813	BEARING BLOCK	√	√
O		10004280	DRIVE SHAFT	√	√
P		7005567	BED SLAT ROD	√	√
Q		90000248	WLDMNT. PIVOT BAR, L.H.	√	√
R		90000247	WLDMNT. PIVOT BAR, R.H.	√	√
S		369002	TENSION KNOB	√	√
T		371502	NUT 5/16 - 18	√	√
U		390145	CONVEYOR BUSHING	√	√
V		10004281	IDLE SHAFT	√	√
W		371001	TENSIONER ASSY.	√	√
X		10004316	PIN, SS DOWEL	√	√
Y		2011063	THMSS 1/4-20 X 1/2	√	√

Miscellaneous Items

(-000-) (-050-) (-H01-) (-H51-)

LETTER	PHOTO	PART NUMBER	DESCRIPTION	DOM	INTL
		369668	Label, Caution Hot	√	√
		370016	Impinger Nameplate	√	√
		369865	Tube, Air Switch, SI 3/16X3/8X332		√
		371218	Beaded Ferrule		√
		370309	Conversion Kit, NAT to LP		√
		370310	Conversion Kit, LP to NAT		√
		FK11090003530	Conversion Kit, Honeywell Module to Techrite Module		√
		11010005861	Harness, Main LH (H01, H51)		√
		11010005862	Harness, Main RH (H01)		√
		4604219	Harness, Main RH (H51 1636)		√
		4604218	Harness, Conveyor RH (H51 1636)		√
		11010005839	Harness, Ignition Control LH (H01, H51)		√
		11010005838	Harness, Ignition Control RH (H01, H51)		√
		11010005852	Harness, Techrite Module to Honeywell Valve (H01, H51)		√
		369878	Conv. Kit NAT. to L.P.	√	
		369879	Conv. Kit L.P. to NAT.	√	

THIS PAGE INTENTIONALLY LEFT BLANK

**WELBILT**
Bringing innovation to the table

Welbilt offers fully-integrated kitchen systems and our products are backed by KitchenCare® aftermarket parts and service. Welbilt's portfolio of award-winning brands includes Cleveland™, Convothem®, Crem®, Delfield®, fitkitchen®, Frymaster®, Garland®, Kolpak®, Lincoln®, Manitowoc®, Merco®, Merrychef® and Multiplex®.

Bringing innovation to the table • welbilt.com