

Impinger® II Express Digital & easyTouch Series 1100 Series Conveyor Oven

Domestic / International Parts Manual

GAS AND ELECTRIC OVENS FOR USA AND NON-USA COUNTRIES



Original Document

Document #: LIN_EOGO_P_IMPII_S1100_4607620_a – 04/22

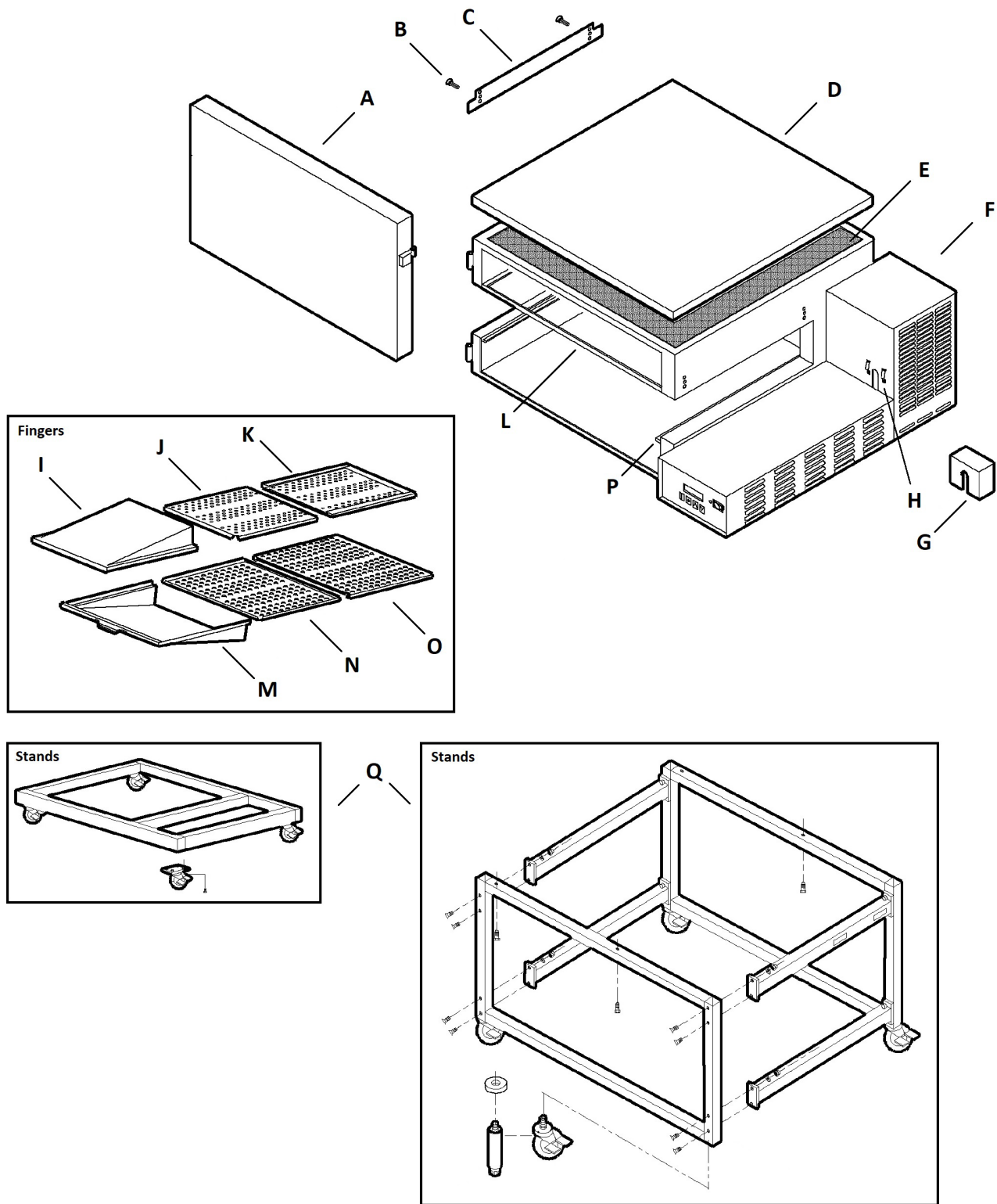


THIS PAGE INTENTIONALLY LEFT BLANK







Contents

General View – All Models	4
Oven Door – All Models	6
Access Door, Stainless Steel – All Models	7
Control Box Front – Gas Models 1116, 1117	8
Control Box Front – Electric Models 1130, 1131, 1132, 1133	10
Control Box Rear – Gas Models 1116, 1117	12
Control Box Rear – Electric Models 1130, 1131, 1132, 1133	14
Gas Train – Gas Models 1116, 1117	16
Gas Burner – Gas Models 1116, 1117	17
Control Box Front - Gas Models 1154, 1155, 1157, 1158	18
Burner Assembly - Nat & LP Models 1154, 1155, 1157, 1158	22
Control Box Electric - Model 1164	26
Conveyor Motor Assembly	30
Oven Back - Gas and Electric Models	32
Conveyor-Full Belt - Gas and Electric Models	34
Conveyor-Split Belt - Gas and Electric Models	36
Oven Stand – Gas and Electric Models	38
4.3" Touchscreen easyTouch Models 1116, 1117 S/N 2106100101445 to Current	40
4.3" Touchscreen easyTouch Models 1130, 1131, 1132, 1133 S/N 2104100102813 to Current	42
easyTouch Gas Export Models 1154, 1155, 1157, 1158 S/N 2111100101008 and Above	44
easyTouch Electric Export Model 1164 S/N 22011001000482 and Above	46
Wire Harnesses	48
Miscellaneous Items - Gas and Electric Models	50

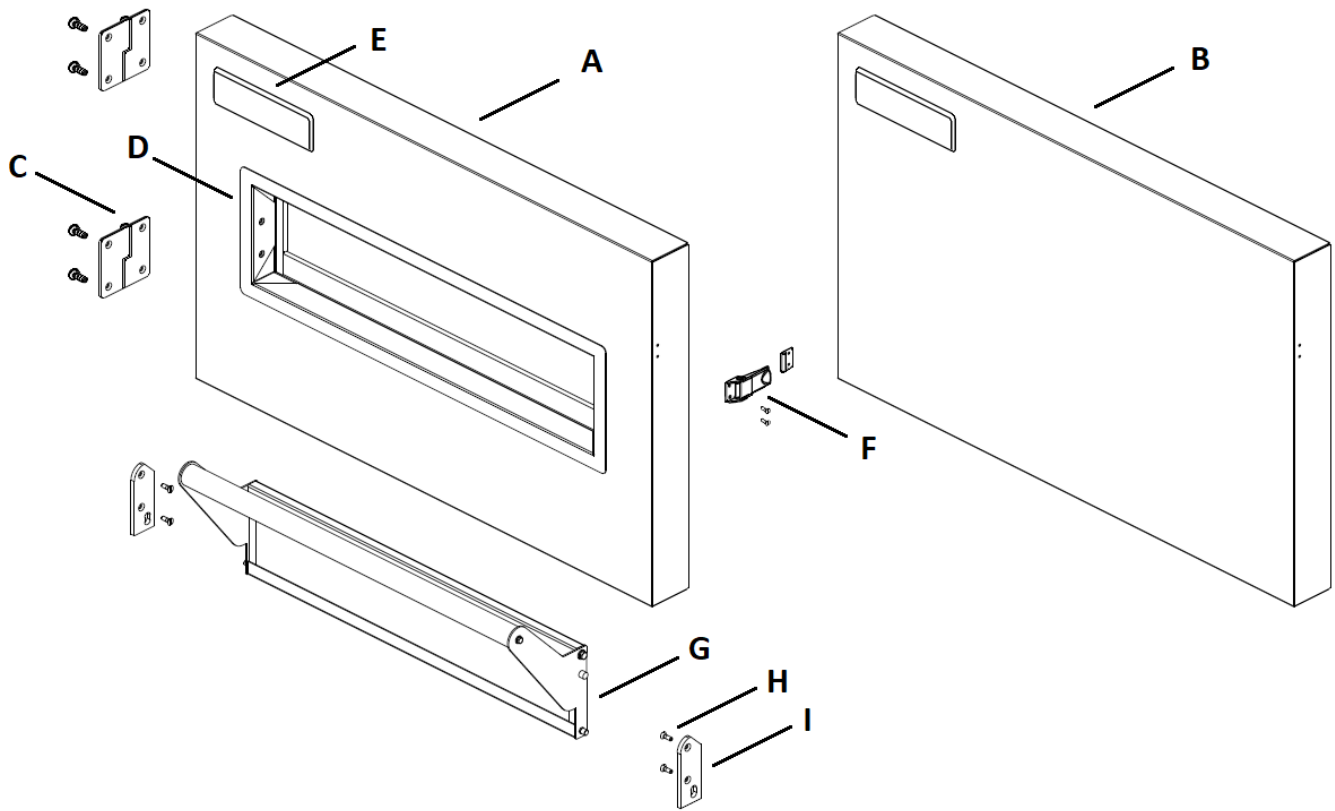
General View All Models



General View All Models

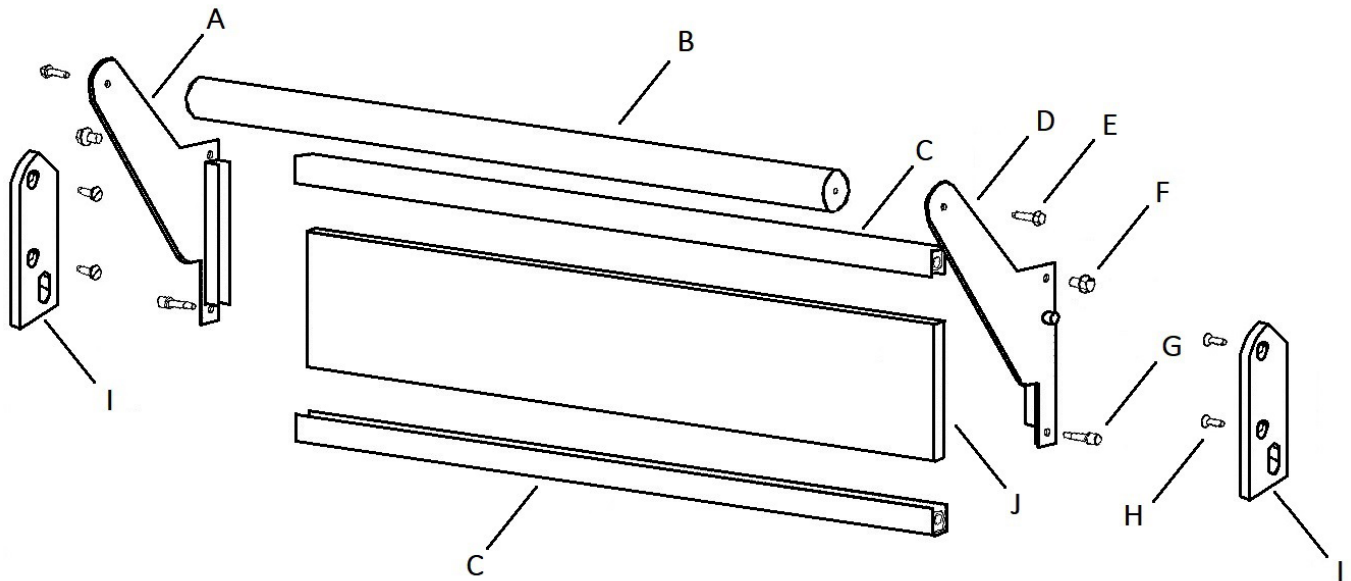
LETTER	PHOTO	PART NUMBER	DESCRIPTION	CRITICAL / RECOMM.
A			See "Oven Door" in this manual on Page 6 See "Access Door, Stainless Steel" in this manual on Page 7	
B		369211	SCR TMBS 1/4-20X 1/2	
C		371066	Baffle Inlet/Outlet	
D		370415 369371	Oven Top Screw (For mounting Oven Top)	
E		370506	Insulation Only	
F			See "Control Box Front – Gas Models" In this manual on Page 8 See "Control Box Front – Electric Models" In this manual Page 10	
F			See "Control Box Rear – Gas Models" In this manual on Page 12 See "Control Box Rear – Electric Models" In this manual on Page 14	
G		369659 370679	Conveyor Hole Cover (S/N 2052462 & below) Conveyor Hole Cover (S/N 2052463 to 0805210000806)	
H		371482	Clip (for Conveyor Hole Cover) (S/N 0805210000806 & Below) (No Cover or Clips for S/N 0805210000807 & Above)	
I		369504 370487	Top Finger Housing (Model with -080-A or -00z-U) Top Finger Housing (Model with -080-A1 or -037-U)	
J		Contact Factory	Top Finger Columnating Plate (Customer Specific)	
K		369503 370486	Top Finger Cover (Model with -080-A or -00z-U) Top Finger Cover (Model with -080-A1 or -037-U)	
L		371492 7008013	Top Finger Support (Model with -080-A or -00z-U) Top Finger Support (Model with -080-A1 or -037-U)	
M		370010	Bottom Finger Housing	
N		Contact Factory	Bottom Finger Columnating Plate (Customer Specific)	
O		369502	Finger Plate Bottom	
P		371440	Bottom Finger Support	
Q			See "Oven Stand" in this manual on Page 38	
Not Shown		371492	Support Top Finger AZ	
Not Shown		2154	RETURN AIR BAFFLE (RH)	
Not Shown		2155	RETURN AIR BAFFLE (LH)	
Not Shown		11070003906	ASM, IP COVER, CONTROL BOX	
Not Shown		11070003904	ASM, IP COVER, FRONT COVER	
Not Shown		371541	HEAT SHIELD ASSY, 2FT KOREA	












Oven Door All Models



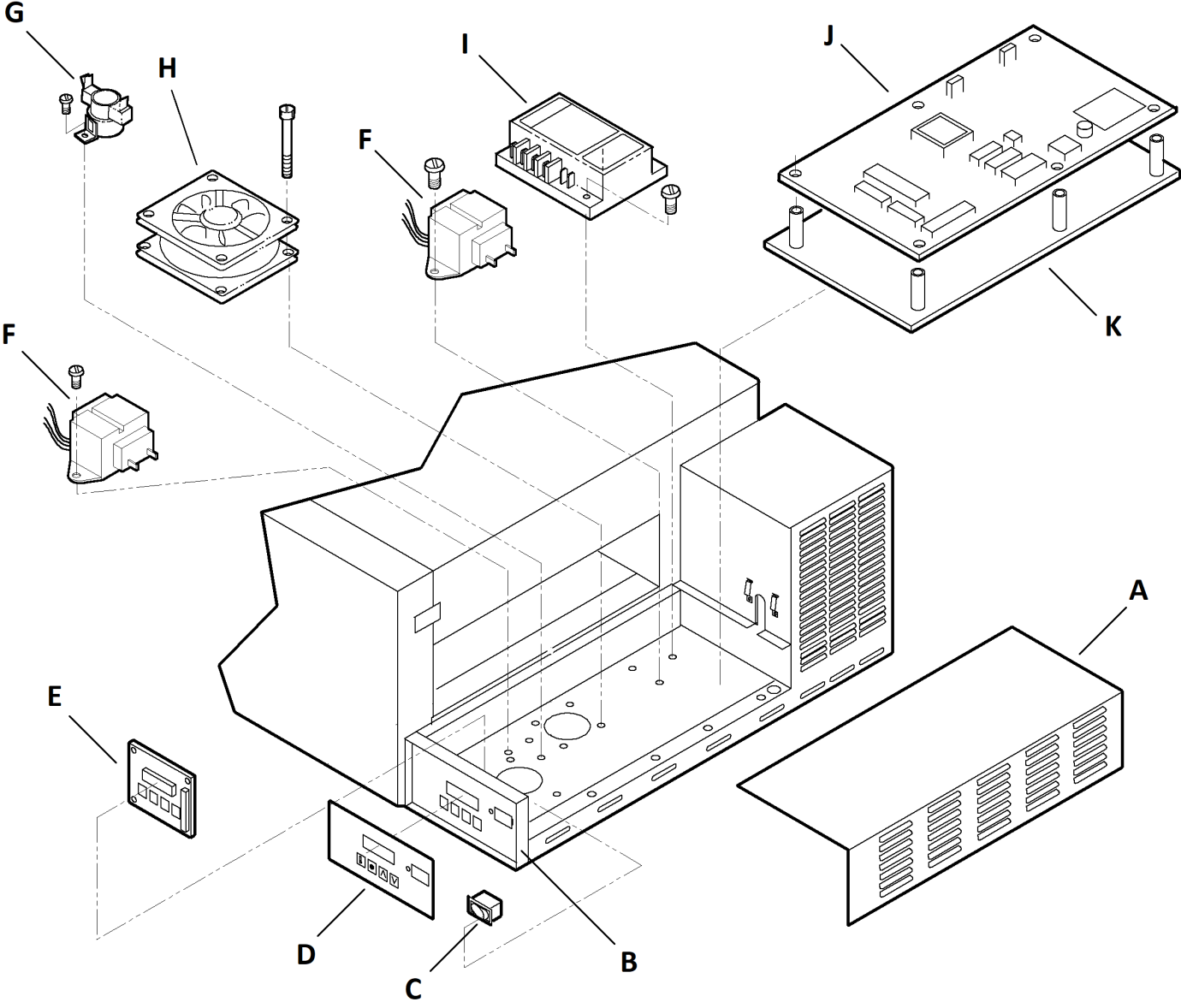
LETTER	PHOTO	PART NUMBER	DESCRIPTION	CRITICAL / RECOMM.
A		370414	Complete Door Assembly (With Window)	
B		370413	Complete Door Assembly (Solid)	
C		369513	Door Hinge	
D		370047	Access Door Frame	
E		370016	Name Plate, Impinger	
F		369501	Door Latch & Catch	
G		369110	Access Door Assembly (See Note on Page 7)	
H		369931	Retainer Screw	
I		369929 371171	Window Retainer (50% Stainless Steel/PTFE) Window Retainer (Stainless Steel)	
Not Shown		7002901	Door Shim	

Access Door, Stainless Steel All Models



LETTER	PHOTO	PART NUMBER	DESCRIPTION	CRITICAL / RECOMM.
Note: This list is for ovens SN 0908210000875 & above. Parts for ovens below SN 0908210000875, order entire Access Door Assembly 369110				
		369110	Access Door Assembly (Includes Items A thru J)	R
A		371140	Bracket Assembly, Left	
B		371142	Dowel, Access Door	R
C		371144	Access Door Frame (Top or Bottom)	
D		371141	Bracket Assembly, Right	
E		370722	Screw	
F		371143	8-32 x 3/8 Hx Serrated Flange	
G		370725	Dowel Thread	
H		369931	Retainer Screw	
I		369929 371171	Window Retainer (50% Stainless Steel/PTFE) (Standard) Window Retainer (Stainless Steel)	
J		370723 369925	Glass 3.375"x19.80" (S/N 0908210000875 & above) Glass 3.8"x19.80" Old Style	C

Control Box Front
Gas Models 1116, 1117
S/N: 2106100101444 and Below



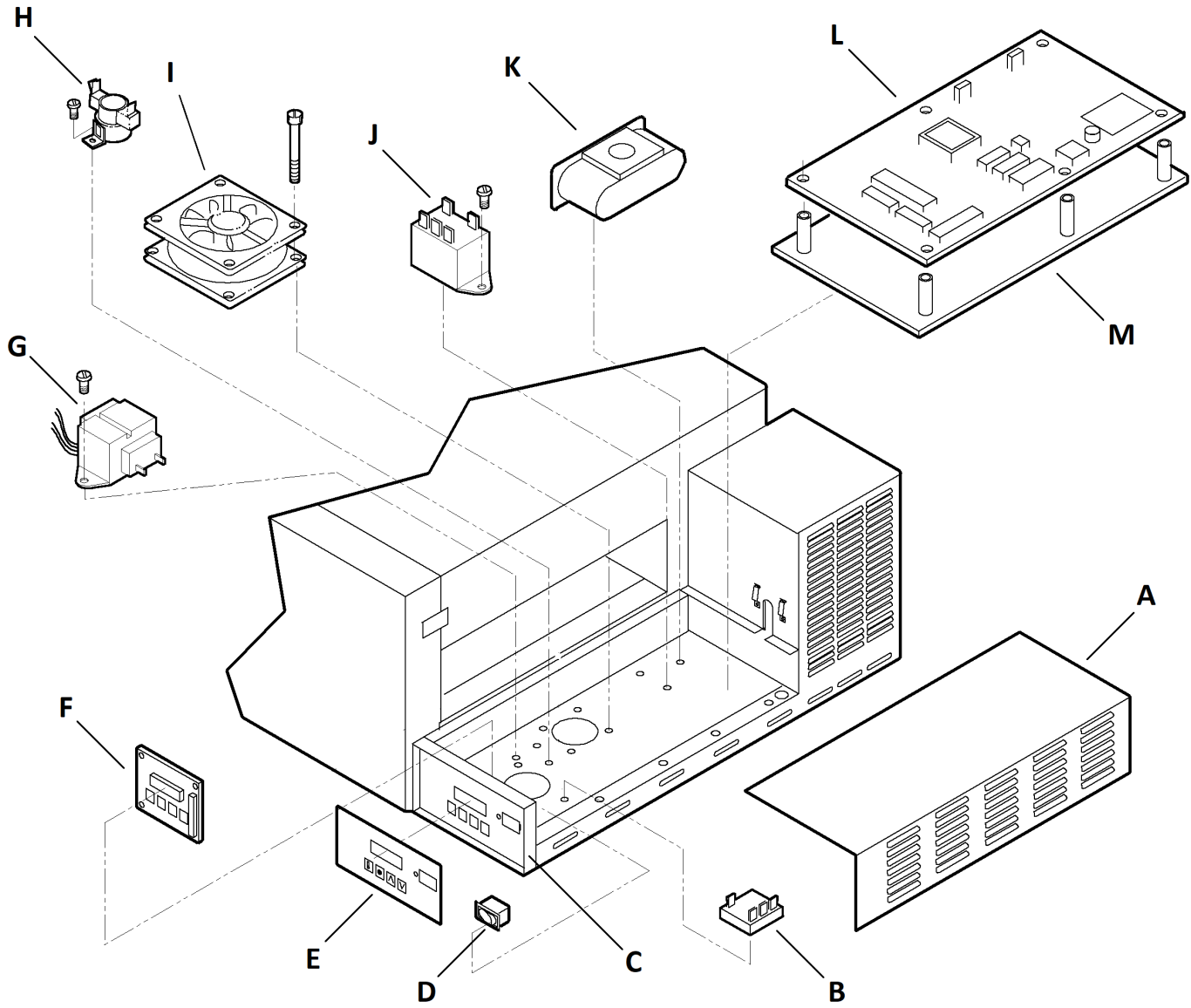
Control Box Front Gas Models 1116, 1117 S/N: 2106100101444 and Below

LETTER	PHOTO	PART NUMBER	DESCRIPTION	CRITICAL / RECOMM.
A		369680	Front Cover Assembly	
B		371220	Front Panel Assembly	
C		369805	Switch, On/Off	C
D		370408 371340	Facia, Pushbutton Facia, Pushbutton "Fast Bake"	R
E		370409	Display (Except Split Belt -050-U)	R
		371426	Display (Split Belt -050-U Only)	
F		9900250	Transformer, 24VAC	C
G		369507	Thermostat, Cooling Fan	C
H		369124	Cooling Fan	C
I		369532	Ignition Control Module	C
J		370417 371215	Control Board (Except -008-U & Split Belt -050-U) Control Board (-008-U Only)	C
		371425	Control Board Only (Split Belt -050-U Only)	
K		370410 369856	Stand Off Plate (SN 0903210000317 & Below) Stand Off Support (SN 0903210000318 & Above)	
Not Shown		370411	Control Board (370417) and Display (370409) Combined	
Not Shown		371195	Conveyor Control Board Only (Split Belt) (-050-U Only)	
Not Shown		9910544	Wire Harness	

Control Box Front

Electric Models 1130, 1131, 1132, 1133

S/N: 2104100102812 and Below



Control Box Front

Electric Models 1130, 1131, 1132, 1133

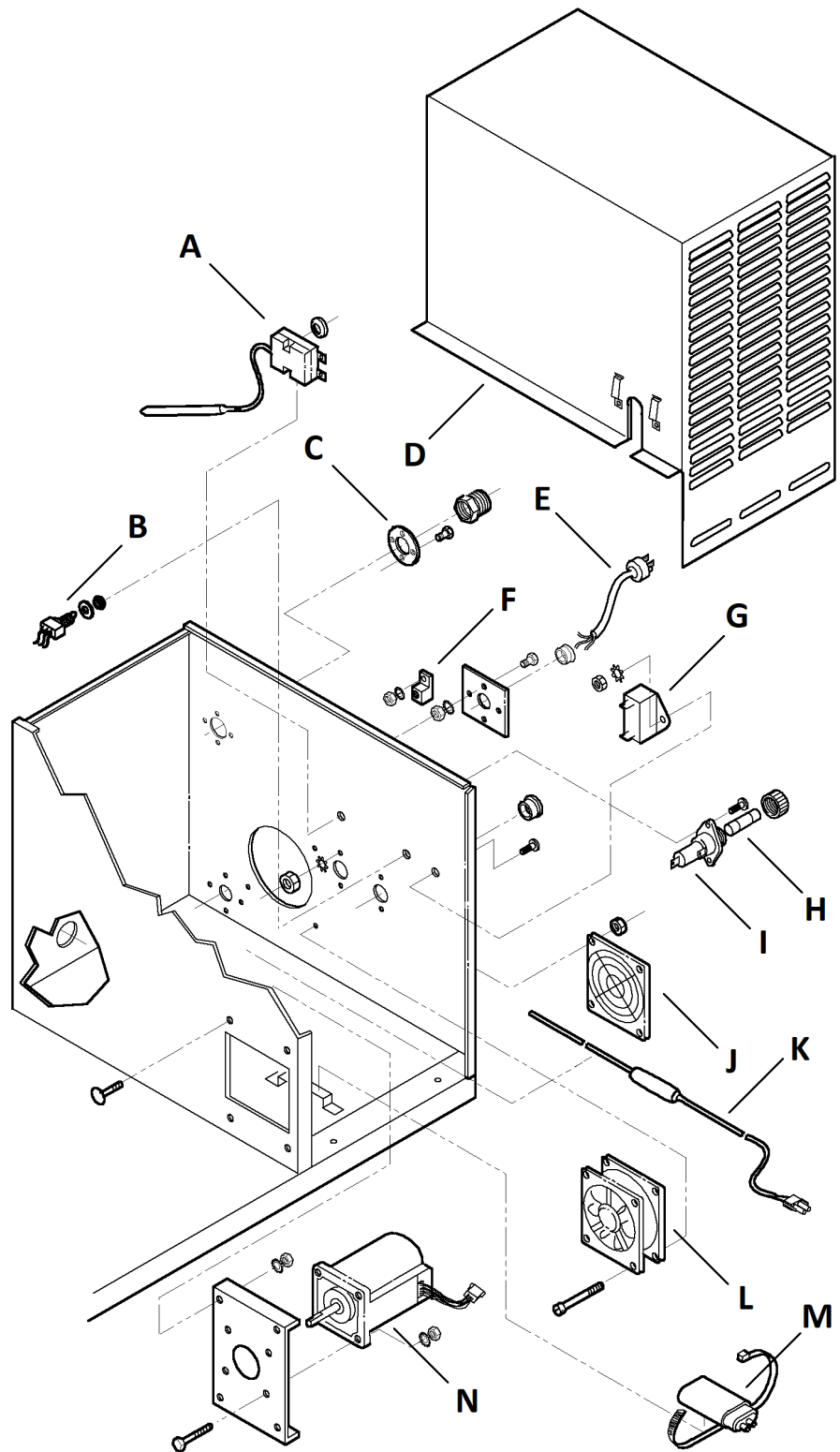
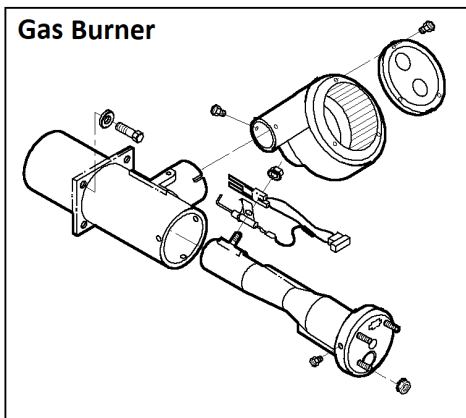
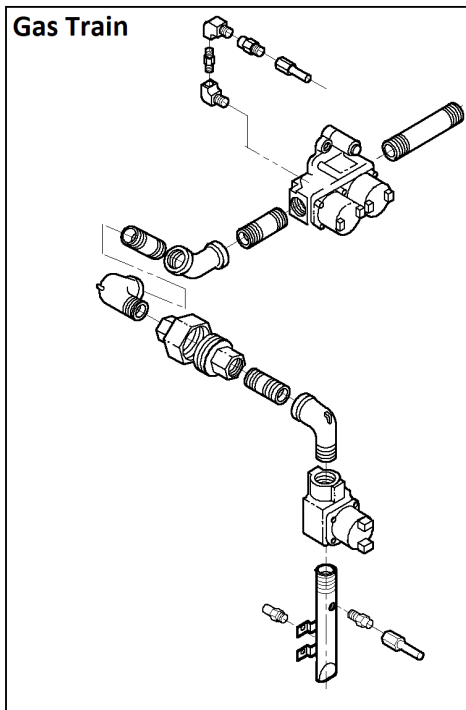
S/N: 2104100102812 and Below

LETTER	PHOTO	PART NUMBER	DESCRIPTION	CRITICAL / RECOMM.
A		369680	Front Cover Assembly	
B		369508 370466	Timer, 20-minute (S/N 0809210000016 & below) Timer, 20-minute (S/N 0809210000017 & above)	
C		371220	Front Panel Assembly	
D		369432	Switch, On/Off	C
E		370408 371340	Facia, Pushbutton Facia, Pushbutton "Fast Bake"	R
F		370409	Display (Except Split Belt -050-U)	R
		371426	Display (Split Belt -050-U Only)	
G		369427	Transformer, 24VAC	R
H		369507	Thermostat, Cooling Fan	C
I		369124	Cooling Fan (S/N 0809210000016 & Below)	C
		369378	Cooling Fan (S/N 0809210000017 & Above)	
J		369523	Relay, Oven Start (S/N 0809210000016 & Below)	
		369422	Relay, Oven Start (S/N 0809210000017 & Above)	
K		370673	Air Pressure Switch (Gold Tech)	C
L		370417 371215	Control Board (Except -008-U & Split Belt -050-U) Control Board (-008-U Only)	C
		371425	Control Board Only (Split Belt -050-U Only)	
M		370410	Stand Off Plate (SN 0903210000317 & Below)	
		369856	Stand Off Support (SN 0903210000318 & Above)	
Not Shown		370411	Control Board (370417) and Display (370409) Combined	
Not Shown		371195	Conveyor Control Board Only (Split Belt) (-050-U Only)	
Not Shown		9910546	Wire Harness	

Control Box Rear

Gas Models 1116, 1117

S/N: 2106101444 and Below



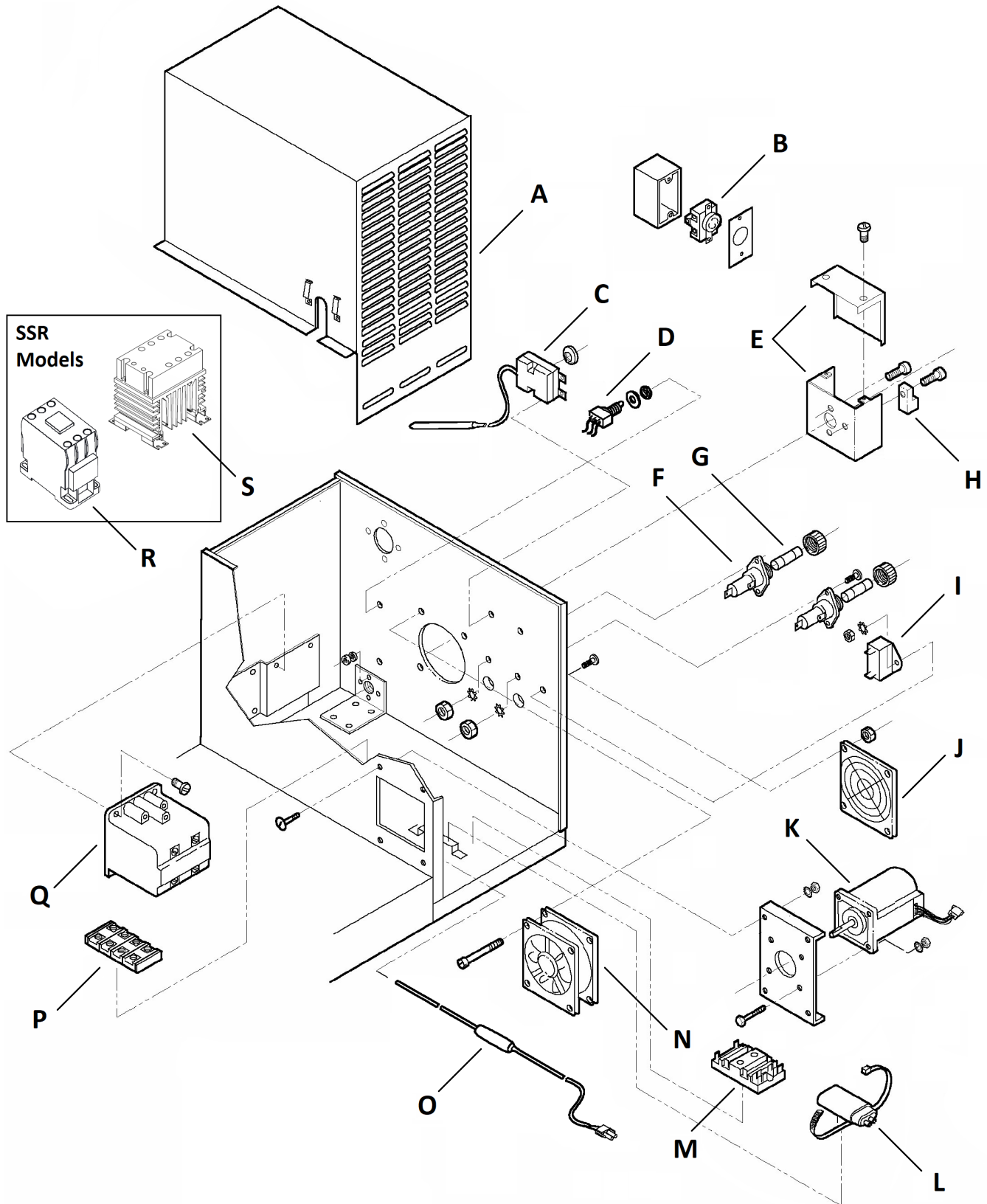
Control Box Rear Gas Models 1116, 1117 S/N: 2106101444 and Below

LETTER	PHOTO	PART NUMBER	DESCRIPTION	CRITICAL / RECOMM.
A		357067	Thermostat, Oven Cavity High-Limit	C
B		370359	Reversing Switch, Conveyor	C
C		371539	Bulkhead, Gas Pipe Assembly	
D		369682 371495	Control Box Cover, Rear (S/N 0805210000807 & Below) Control Box Cover, Rear (S/N 0805210000808 & Above)	
E		369537	Power Cord	
F		370364	Ground Lug	
G		370376 370681	Capacitor, Conv. Motor, 4.5µF Blue Dot (S/N 2052462 & Below) Capacitor, Conv. Motor, 3.5µF Green Dot (S/N 2052463 & Above)	C
H		369166	Fuse, 10A	C
I		369129	Fuse Holder	C
J		369331	Finger Guard	
K		370362	Thermocouple, Type "K"	C
L		369124	Cooling Fan	C
M		371197	Capacitor, Main Fan Motor, 15µF	C
N		FK370378 370675	Conveyor Motor Assembly, Blue Dot (S/N 2052462 & Below) Conveyor Motor Assembly, Green Dot (S/N 2052463 & Above)	C
O			See "Gas Train" in this manual on Page 16	
P			See "Gas Burner" in this manual on Page 17	
Not Shown		370304	HSI Connector Kit	

Control Box Rear

Electric Models 1130, 1131, 1132, 1133

S/N: 2104100102812 and Below



Control Box Rear

Electric Models 1130, 1131, 1132, 1133

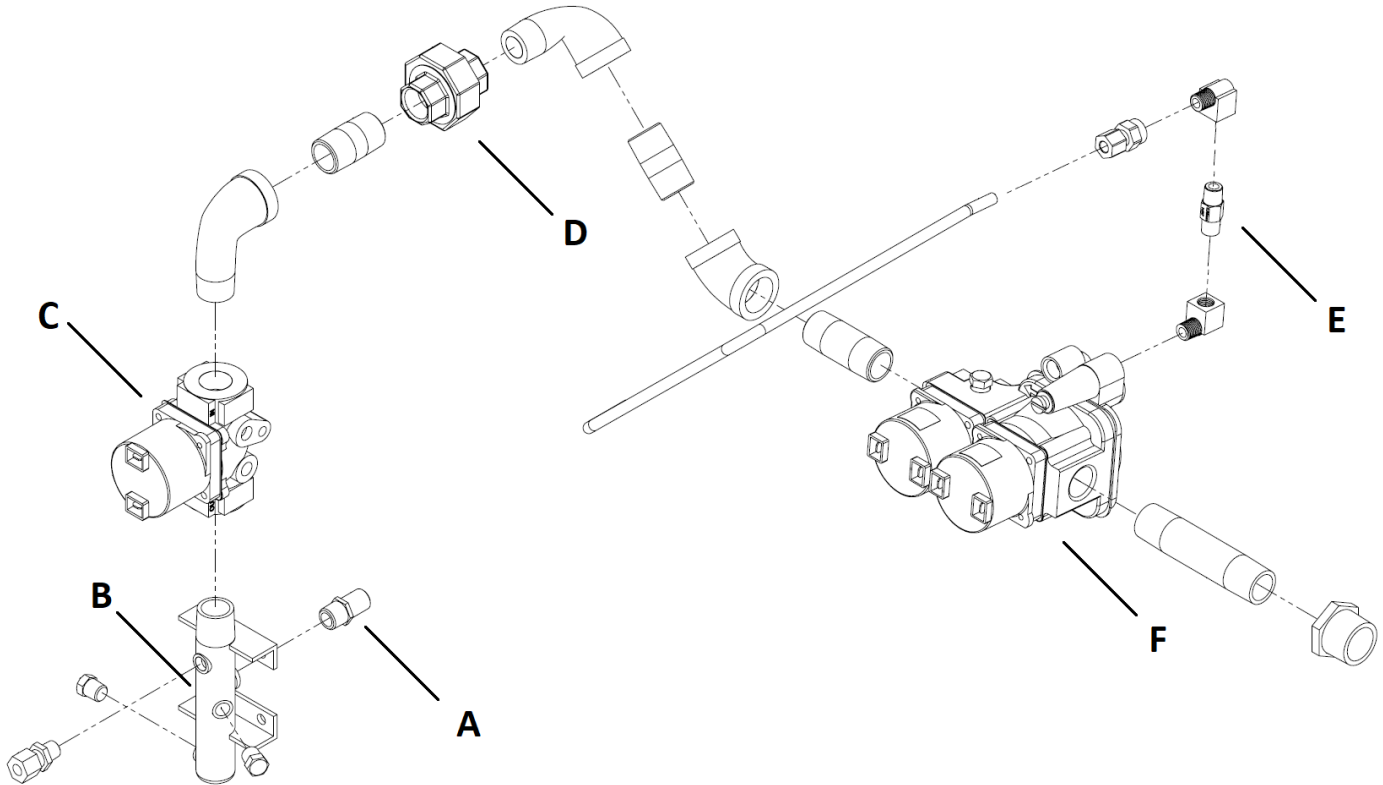
S/N: 2104100102812 and Below










LETTER	PHOTO	PART NUMBER	DESCRIPTION	CRITICAL / RECOMM.
A		369682 371495	Control Box Cover, Rear (S/N 0805210000807 & Below) Control Box Cover, Rear (S/N 0805210000808 & Above)	
B		370302	Receptacle	
C		357067	Thermostat, Oven Cavity High-Limit	C
D		370359	Reversing Switch, Conveyor	C
E		370134 370133	Electrical Box Cover Electrical Box	
F		369129	Fuse Holder	C
G		369166	Fuse, 10A	C
H		370364	Ground Lug	
I		370383 370682	Capacitor, Conv. Motor, Red Dot (S/N 2052462 & Below) Capacitor, Conv. Motor, Brown Dot (S/N 2052463 & Above)	C
J		369331	Finger Guard	
K		FK370384 370676	Conveyor Motor Assembly, Red Dot (S/N 2052462 & Below) Conveyor Motor Assembly, Brown Dot (S/N 2052463 & Above)	C
L		369192	Capacitor, Main Fan Motor, 7.5µF	C
M		369200 369422	Relay, Main Fan (S/N 0809210000016 & below) Relay, Main Fan (S/N 0809210000017 & above)	
N		369124 369378	Cooling Fan (S/N 0809210000016 & Below) Cooling Fan (S/N 0809210000017 & Above)	C
O		370362	Thermocouple, Type "K"	C
P		369185 369187	Terminal Block Section 1 Phase (2 Required) Terminal Block Section (3 Required)	
		369186 369188	Terminal Block End 1 Phase Terminal Block End 3 Phase	
Q		370067 369479-AS 370485-AS	Mercury Contactor 2 Pole (1 Phase) Mercury Contactor 3 Pole (3 Phase) Mercury Contactor 3 Pole (3 Phase) (-08H-A Model Only)	C
R		370739	Contactor, Safety (SSR Ovens Only)	
S		FK90002172	SSR, 75A (Includes Heat Sink) (SSR Ovens Only)	
Not Shown		369837	Noise Suppressor for Mercury Contactor (S/N 1205235000247 & Above) (1PH & 3PH)	

Gas Train

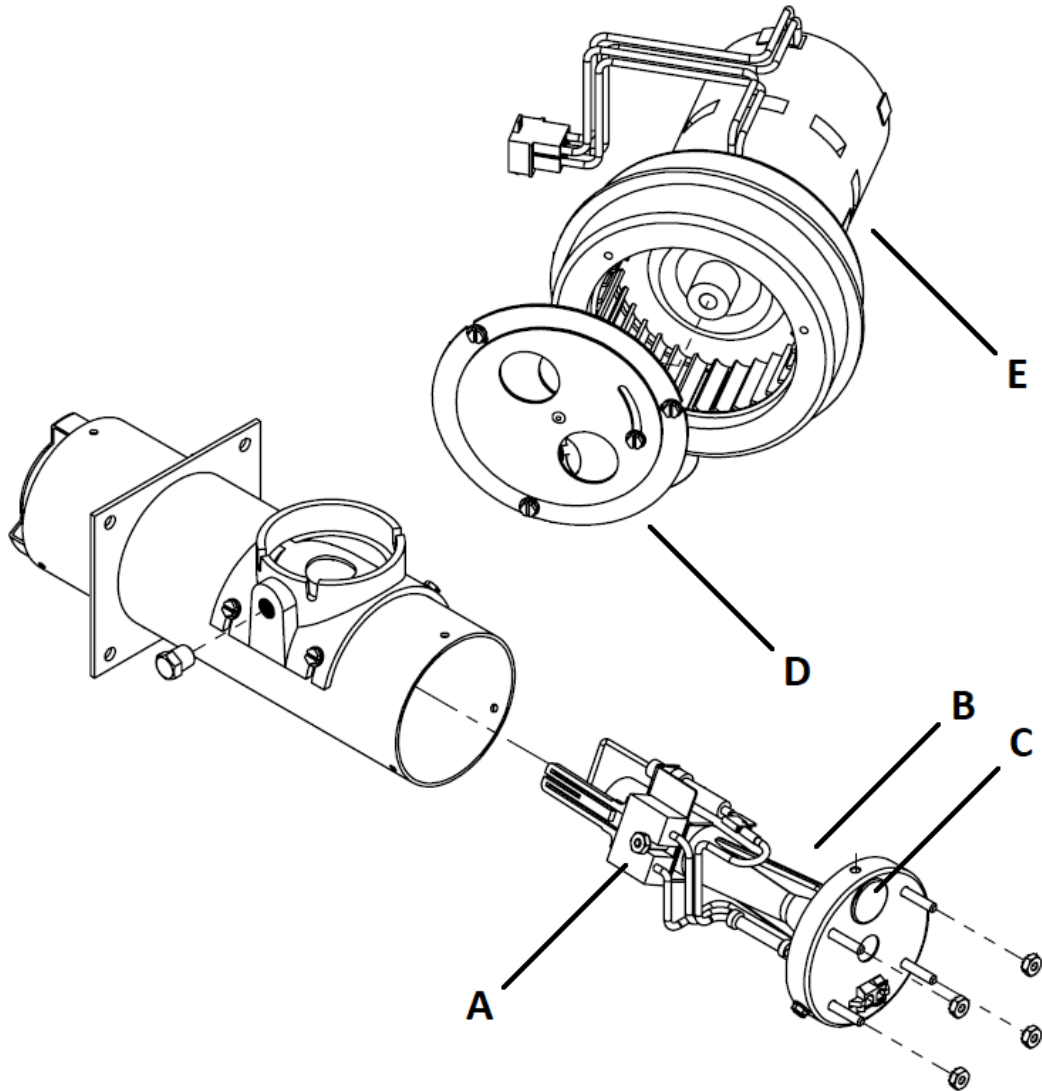
Gas Models 1116, 1117







S/N: 2106100102812 and Below



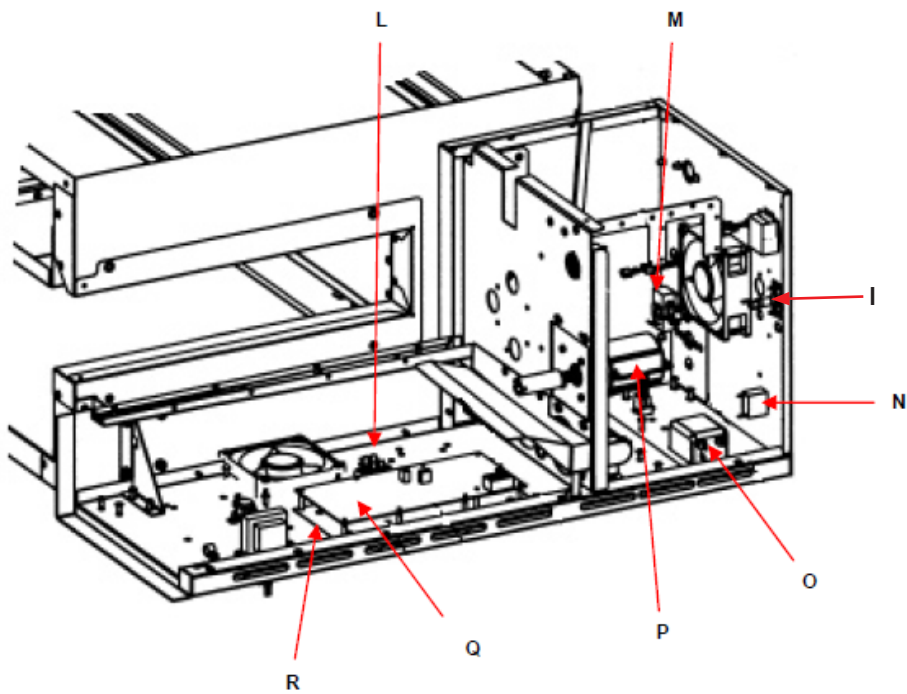
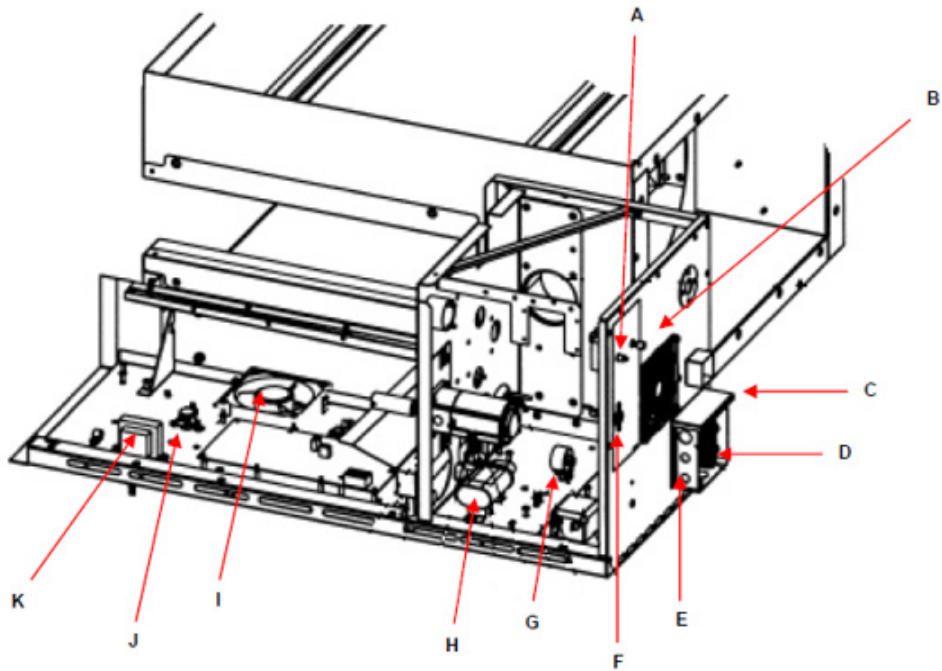
LETTER	PHOTO	PART NUMBER	DESCRIPTION	CRITICAL / RECOMM.
A		369566	Orifice, Main, NAT Gas	C
		369524	Orifice, Main, LP Gas	R
B		369901	Burner Manifold	
C		369398	Valve, Temperature Regulation	C
D		369564	Union, 1/2" X 1/2"	
E		370031	Orifice, Bypass, NAT Gas	R
		369557	Orifice, Bypass, LP Gas	R
F		369263	Gas Valve, Main/Pilot, NAT/LP	C
Not Shown		G02251-1	Pressure Test Fitting	

Gas Burner
Gas Models 1116, 1117
S/N: 2106100102812 and Below



LETTER	PHOTO	PART NUMBER	DESCRIPTION	CRITICAL / RECOMM.
A		369552 370304	Hot Surface Igniter Hot Surface Igniter Connector	C
B		369568	Burner Venturi, NAT Gas	
		369938	Burner Venturi, LP Gas	
C		390131	Sight Glass	
D		369401	Air Shutter Assembly	
E		369366	Burner Blower Motor	C

Control Box Front
Gas Models 1154,1155,1157,1158
S/N: 2111100101007 and Below



Control Box Front
Gas Models 1154,1155,1157,1158
S/N: 2111100101007 and Below

LETTER	PHOTO	PART NUMBER	DESCRIPTION	CRITICAL / RECOMM.
A		357067	HI-LIMIT	
B		369771	SWITCH PUSH BUTTON	
C		390129	COVER JUNCTION BOX	
D		370117	TERMINAL BLOCK 5POLE	
E		370178	JUNCTION BOX	
F		369014	FUUSE 10 AMP	
		357107	FUUSE HOLDER	
G		371218	BEADED FERRULE	
H		369192	CAPACITOR 7.5 MFD, 370 VAC	
I		369378	MOTOR FAN 230VAC	
		369331	FINGER GUARD	
J		369507	THERMOSTAT BI-METAL	
K		370241	TRANSFORMER ASSY	
L		369125	TERMINAL BLOCK	
M		370184	FILTER RFI	
N		370682	CAPACITOR BROWN DOT 450V 1uF S/N: 2052463 and above	
		FK370384	Motor Retro-fit with Cap S/N: 2052462 and below	
O		370387	FILTER EMI	
P			See 1154 Motor Assembly Section (Pg 30)	

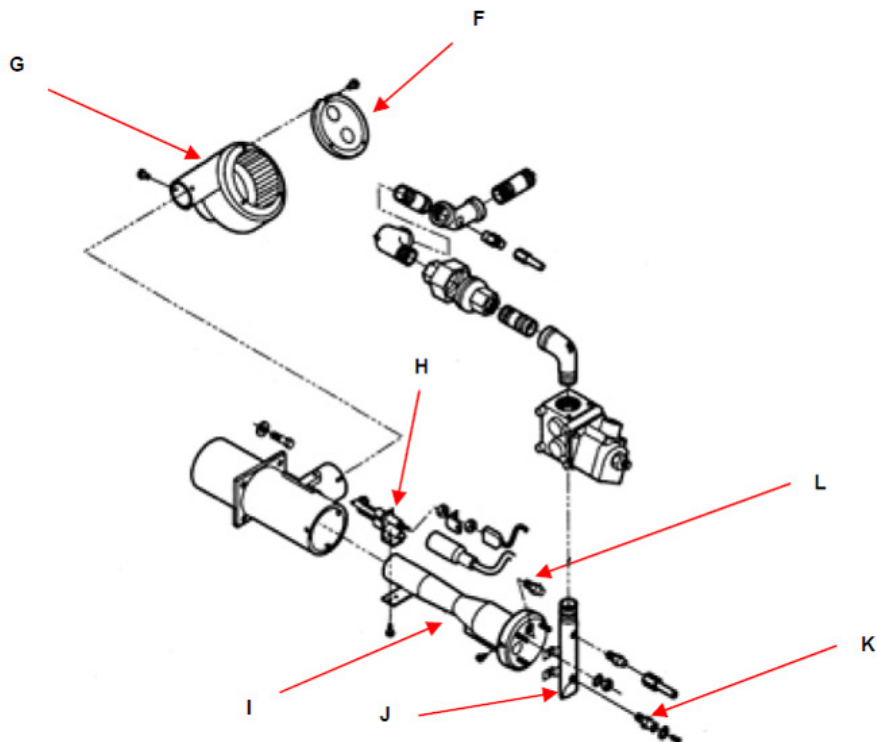
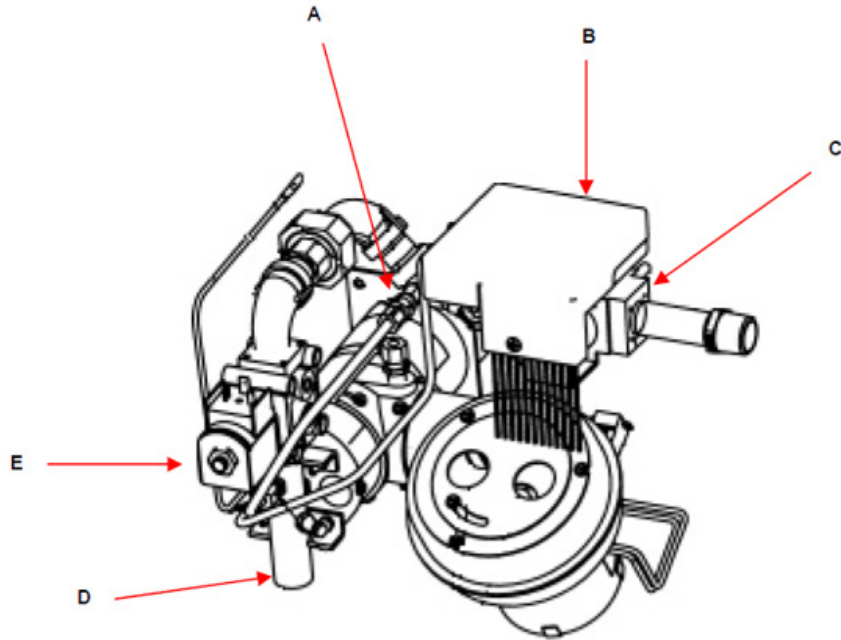
Control Box Front
Gas Models 1154,1155,1157,1158
S/N: 2111100101007 and Below

LETTER	PHOTO	PART NUMBER	DESCRIPTION	CRITICAL / RECOMM.
Q		370417	CONTROL BOARD	
		371425	CONTROL BOARD (SPLIT BELT)	
		371195	CONVEYOR CONTROL SPLIT BELT	
		370409	DISPLAY BOARD	
		371426	REMOTE DISPLAY BOARD (SPLIT BELT)	
		371340	BUTTON FASCIA FASTBAKE	
		370408	BUTTON FASCIA	
R		9004480	PLATE ASSY STAND-OFF	
Not Shown		369856	SUPPORT STAND-OFF	
Not Shown		369579	ALARM 250V SOLID STAT	
Not Shown		370364	LUG GROUND	
Not Shown		369432	SWITCH ON-OFF	
Not Shown		370673	AIRSWITCH PS100 GOLDTEC	
Not Shown		371220	PANEL FRONT ASSY	
Not Shown		370359	SWITCH CNVYR REVRS ASSY	
Not Shown		370362	THERMOCOUPLE (K TYPE)	
Not Shown		371539	BULK HEAD ASSEMBLY NEW STYLE - LNC	

THIS PAGE INTENTIONALLY LEFT BLANK

Burner Assembly



Nat & LP Models 1154, 1155, 1157, 1158
S/N: 2111100101007 and Below



Burner Assembly
Nat & LP Models 1154, 1155, 1157, 1158
S/N: 2111100101007 and Below

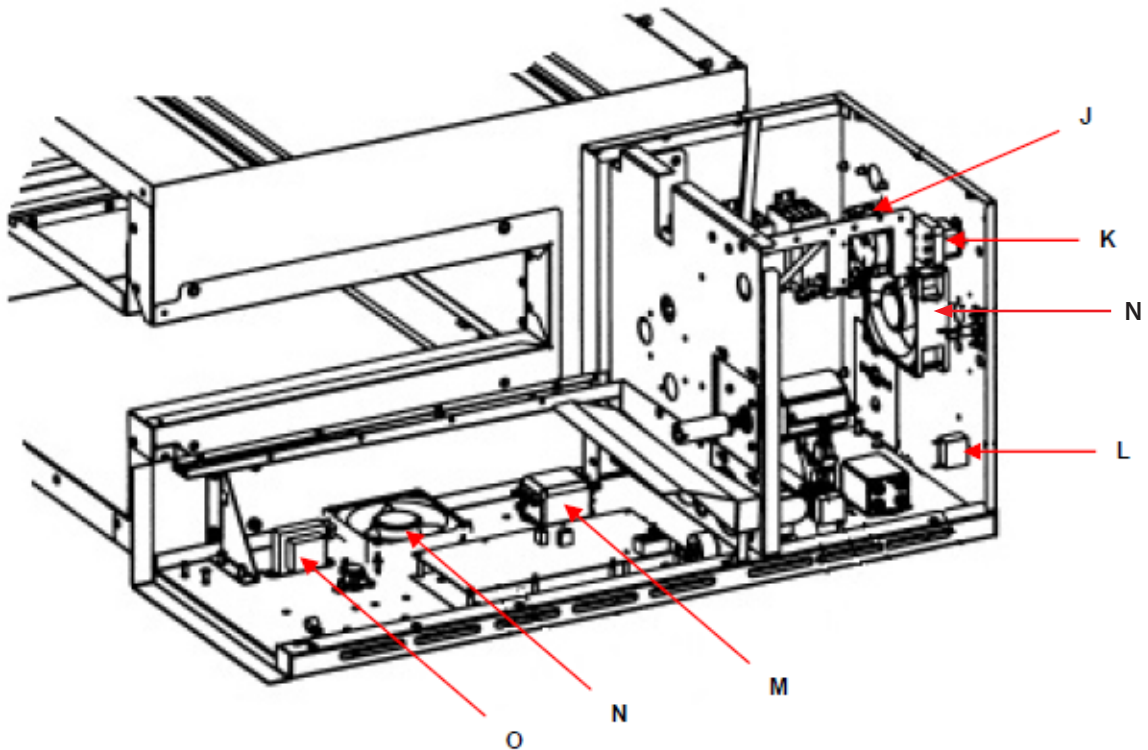
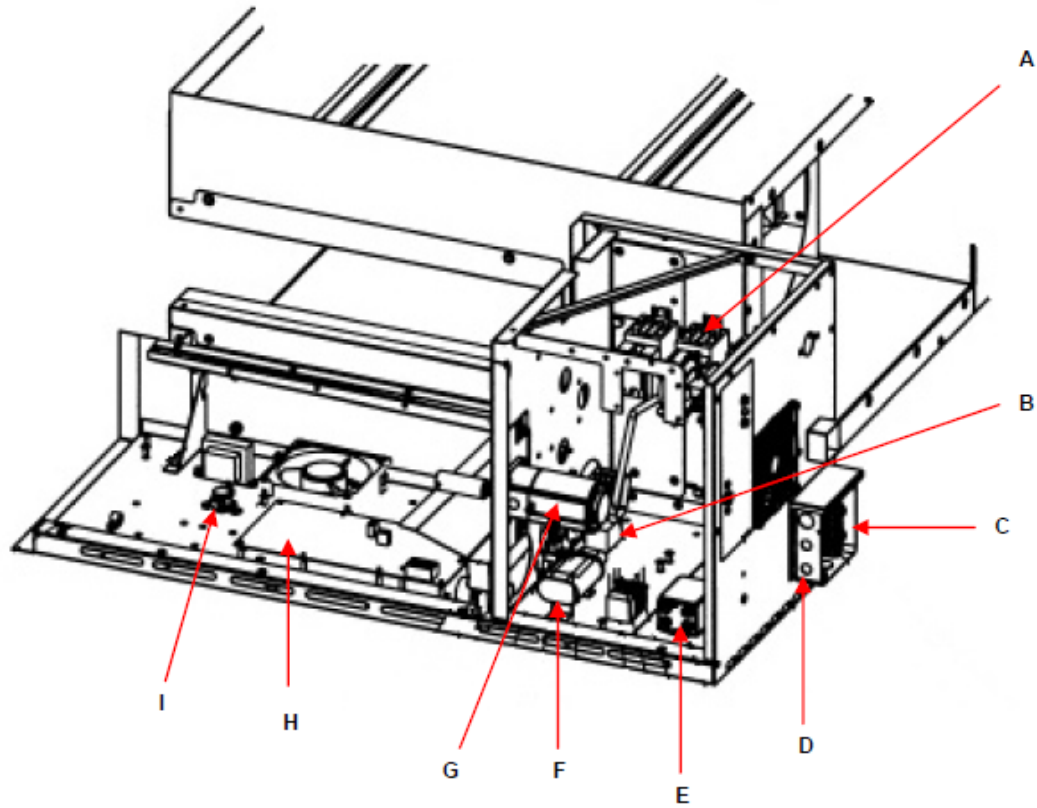
LETTER	PHOTO	PART NUMBER	DESCRIPTION	CRITICAL / RECOMM.
A		370031	BYPASS ORFICE .061 2" NAT	
		369557	FITTING .037 2' LP	
Not Shown		FK7005331	KIT TUBE BYPASS	
B		370401	IGNITOR PLUG-IN MODULE	
		4604018	IGNITION MODULE TECHRITE TAIS CP-R34.5-S-43430NV	
C		370400	VALVE VK4115 A 1000	
D		369582	COMPLETE BURNER ASSY NAT GAS	
E		370186	VALVE SOLENOID 220	
		4604195	SOLENOID BASO (COIL ONLY)240V 50-60HZ 15VA	
F		369401	AIR SHUTTER ASSY	
G		369589	MOTOR BLOWER BURNER	
H		370397	SPARK IGNITOR ASSY	
Not Shown		369656	IGNITOR CABLE ASSY S/N: 2045407 AND BELOW LANDIS	
Not Shown		370398	IGNITOR CABLE ASSY S/N: 2045408 AND ABOVE HONEYWELL	
Not Shown		11010005771	5MM IGNITOR CABLE ASSY NOISE SUPPRESSION TECHRITE	
I		369654	VENTURI NAT	
		369773	VENTURI LP	
J		369901	MANIFOLD BURNER ASSY	
K		369689/ G02251-1	PRESSURE TEST SPIGOT	

Burner Assembly
Nat & LP Models 1154, 1155, 1157, 1158
S/N: 2111100101007 and Below

LETTER	PHOTO	PART NUMBER	DESCRIPTION	CRITICAL / RECOMM.
L		370036	ORIFICE MAIN NAT	
		369524	ORIFICE MAIN LP	
		2605053	MAIN ORIFICE .075/1.90MM	
Not Shown		369662	BURNER TUBE ASSY	
Not Shown		370399	FLAME SENSOR WIRE	

THIS PAGE INTENTIONALLY LEFT BLANK

**Control Box Electric
Model 1164
S/N: 22011001000481 and Below**











Control Box Electric Model 1164 S/N: 22011001000481 and Below

LETTER	PHOTO	PART NUMBER	DESCRIPTION	CRITICAL / RECOMM.
A		370672	SOLID STATE RELAY 50AMP	
B		370674	SURGE PROTECTOR	
C		370117	TERMINAL BLOCK 5POLE	
D		390129	COVER JUNCTION BOX	
E		371154	LINE FILTER	
F		369192	CAPACITOR 370V 7.5 uF	
G			SEE 1164 CONVEYOR MOTOR ASSEMBLY (Page 30)	
H		370417	CONTROL BOARD	
Not Shown		371425	CONTROL BOARD (SPLITBELT)	
Not Shown		370409	DISPLAY BOARD WITH RIBBON CABLE	
Not Shown		371426	REMOTE DISPLAY BOARD (SPLITBELT)	
Not Shown		370408	BUTTON FASCIA	
Not Shown		371340	BUTTON FASCIA FASTBAKE	
Not Shown		371195	CONVEYOR CONTROL BOARD 1100 (SPLITBELT)	
I		369507	THERMOSTAT BI-METAL	
J		370673	AIRSWITCH PS100 GOLDTEC	
K		369368	THERMOSTAT, HIGH LIMIT	
L		370682	CAPACITOR 450V 1.0 uF (S/N 2045463 to 220110010000481)	
		FK370384	CAPACITOR 450V 1.0 uF/ MOTOR SERVICE KIT (S/N 2045462 and Below)	
M		370387	FILTER EMI	
N		369378	COOLING MOTOR/FAN 230VAC	
O		370241	TRANSFORMER ASSY	

More items next page

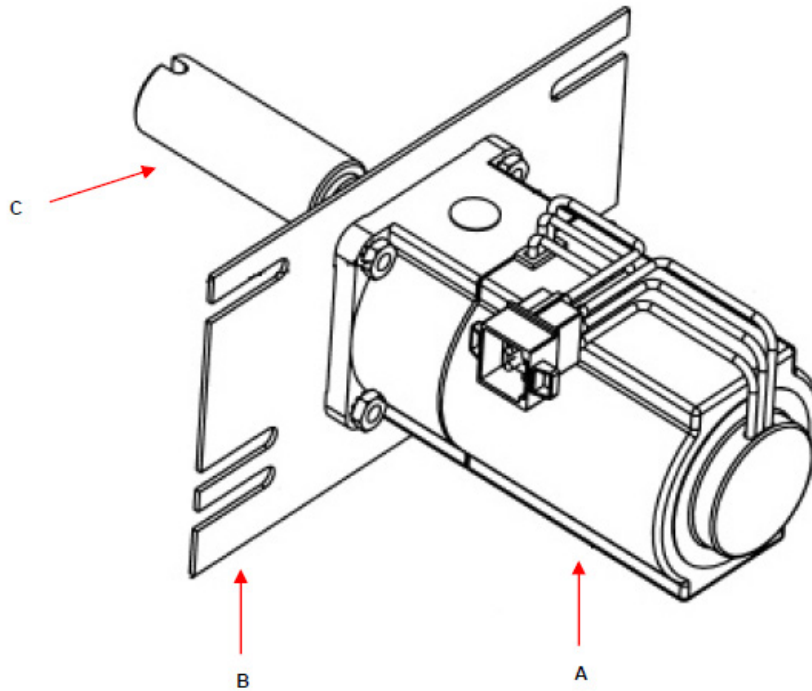
**Control Box Electric
Model 1164
S/N: 22011001000481 and Below**

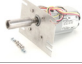



LETTER	PHOTO	PART NUMBER	DESCRIPTION	CRITICAL / RECOMM.
Not Shown		369331	FINGER GUARD COOLING FAN COVER	
Not Shown		370364	LUG GROUND	
Not Shown		369432	SWITCH ON-OFF	
Not Shown		371220	PANEL FRONT ASSY	
Not Shown		370359	REVERSING SWITCH ASSY	
Not Shown		369014	FUSE 10 AMP	
Not Shown		357107	FUSE HOLDER	
Not Shown		370362	THERMOCOUPLE TYPE K W/PLUG	
Not Shown		390129	COVER JUNCTION BOX	

THIS PAGE INTENTIONALLY LEFT BLANK

Conveyor Motor Assembly

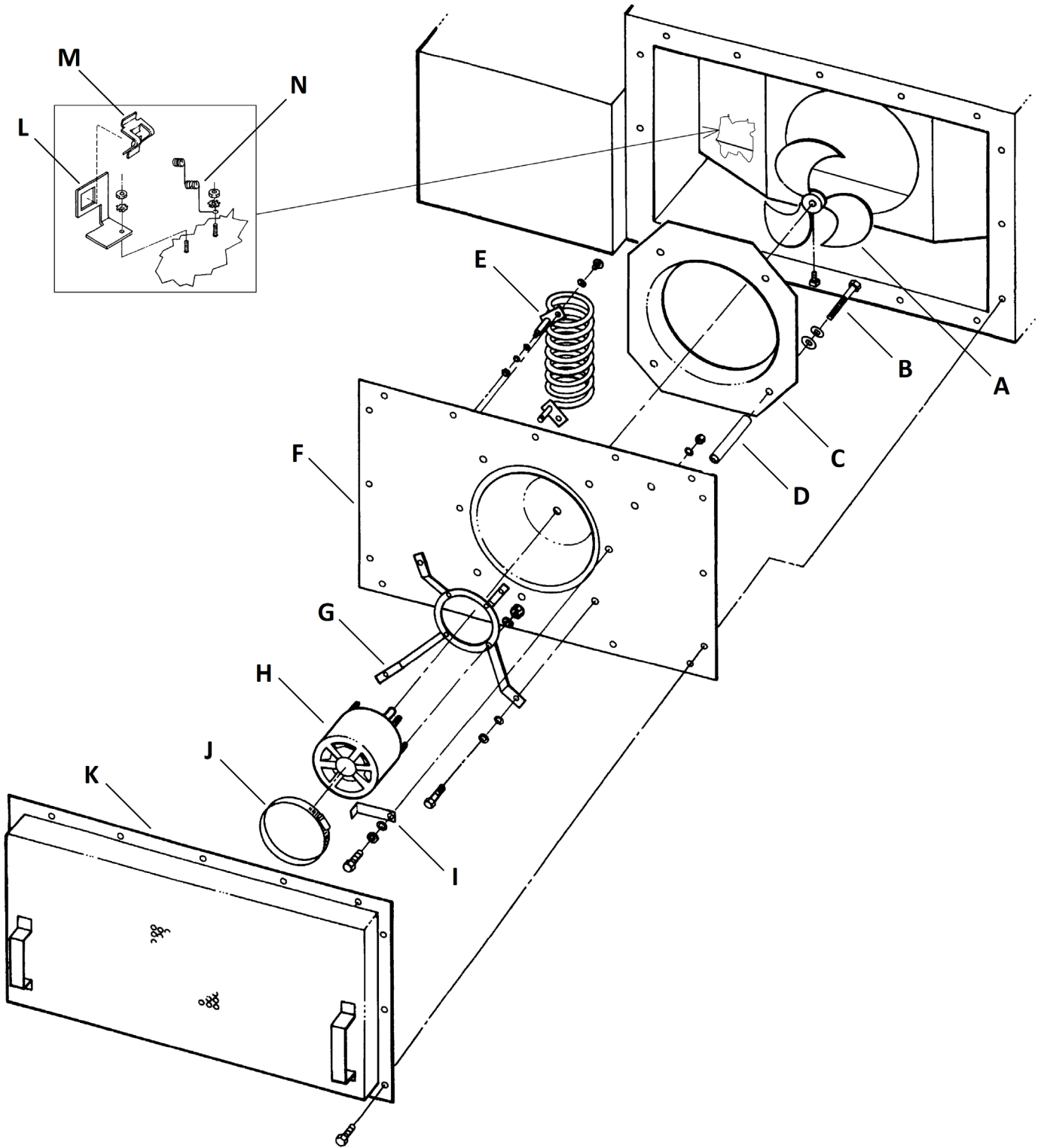
Digital Models 1154,1155,1157,1158,1164



LETTER	PHOTO	PART NUMBER	DESCRIPTION	CRITICAL / RECOMM.
A		370676	MOTOR 230/50-60/1 BROWN DOT S/N: 205463 AND ABOVE	
		FK370384	MOTOR 230V PINS & HOUSNG RETROFIT WITH CAPACITOR S/N: 2052462 AND BELOW	
B		370686	BRACKET MOTOR	
C		370671	COUPLING DRIVE S/N: 2052463 AND ABOVE	
Not Shown		369190	COUPLING DRIVE S/N: 2052462 AND BELOW	
Not Shown		369512	COUPLING CENTER S/N: 2052462 AND BELOW	
Not Shown		370682	CAPACITOR SEE CONTROL BOX FOR LOCATION (Page 26 & 27)	

THIS PAGE INTENTIONALLY LEFT BLANK

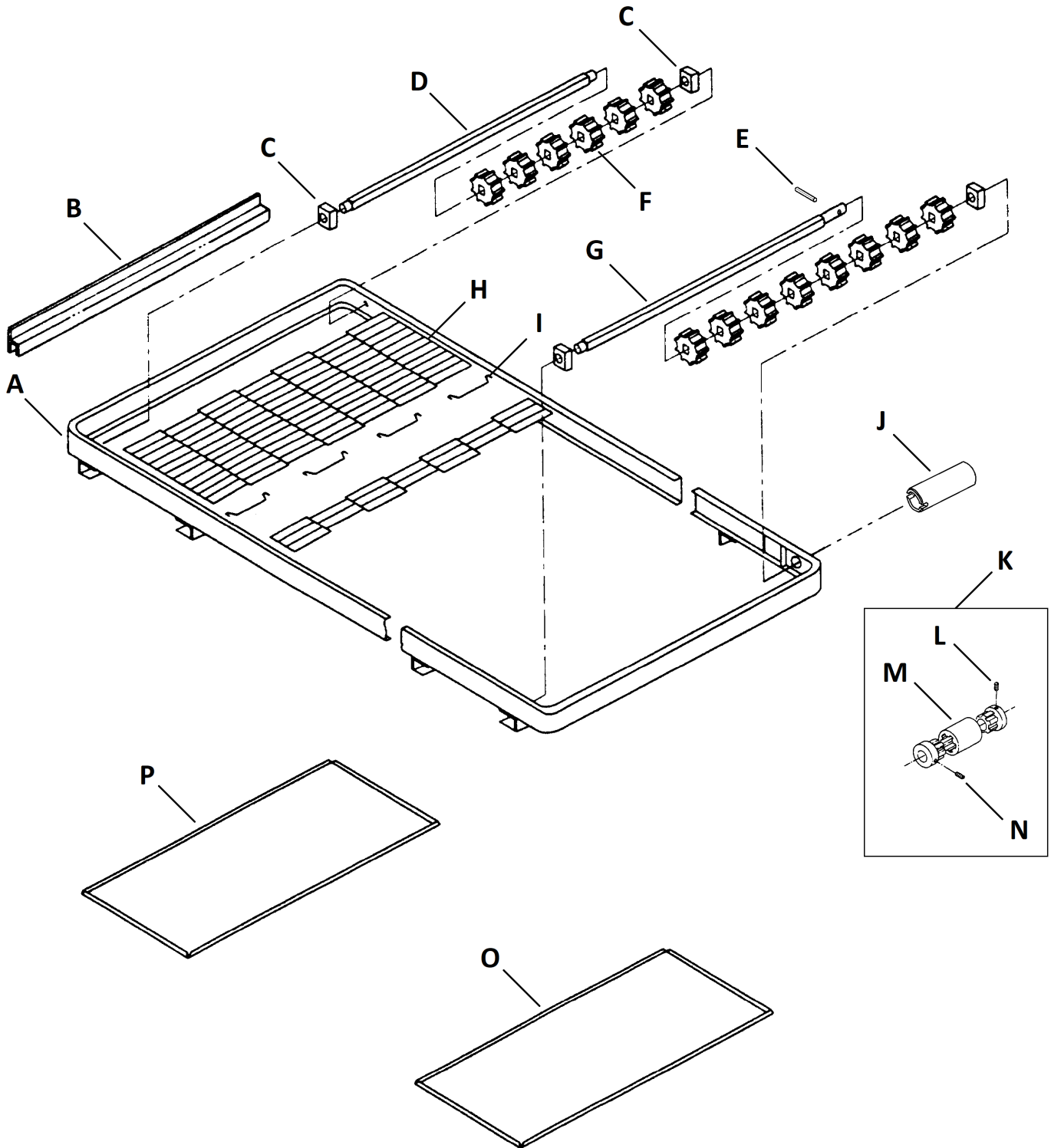
Oven Back Gas and Electric Models



Oven Back Gas and Electric Models

LETTER	PHOTO	PART NUMBER	DESCRIPTION	CRITICAL / RECOMM.
A		369182	Fan Assembly (Except 1178-000-U Models)	C
		369725	Fan Assembly (1178-000-U Ovens Only) (LH Control Box)	
B		2017006	Hexagon Bolt (1/4-20 X 3 1/2")	
C		7004305	Fan Shroud	
D		369655	Rod Stand-off	
E		369183	Heating Element, 208V (Except -08H-A Models)	C
		369184	Heating Element, 240V (Except -08H-A Models)	
	370164	Heating Element, 230V 1164		
F		9002266	Oven Back Assembly without motor (Gas Ovens Only) S/N 2204100101018 and Below	
		CK9003458	1116, 1117 Rear Wall complete Assy only	
		369549	Oven Back Assembly (Electric Ovens Only) (Except -08H-A)	
		CK9002266	Electric rear wall assy	
		CK4608230	Oven Back Assembly without motor (Gas Ovens Only) S/N 2204100101019 and Above	
		CK4608231	Oven Back Assembly without motor (Electric Ovens Only S/N 2204100101019 and Above)	
G		369581	Motor Mount Assembly	
H		369539	Motor, Main Fan (Gas Ovens 120V) (Except 1178-000-U)	C
		369726	Motor, Main Fan (1178-000-U Ovens Only) (LH Control Box)	
	369196	Motor, Main Fan 50Hz 1154, 1155, 1164		
		369181	Motor, Main Fan (Electric Ovens 208/240V) 1157, 1158	C
I		369695	Bracket Motor Strap	
		4608197/ 4608198	Motor Bracket	
J		369033	Motor Clamp	R
K		369681	Cover Rear Assy	
L		369979	Bracket, High Limit	
M		369227	Spring Catch 2'Oven	
N		369541	Bracket, Thermocouple Wire Form	
Not Shown		370749	Strain/Nut Lock	

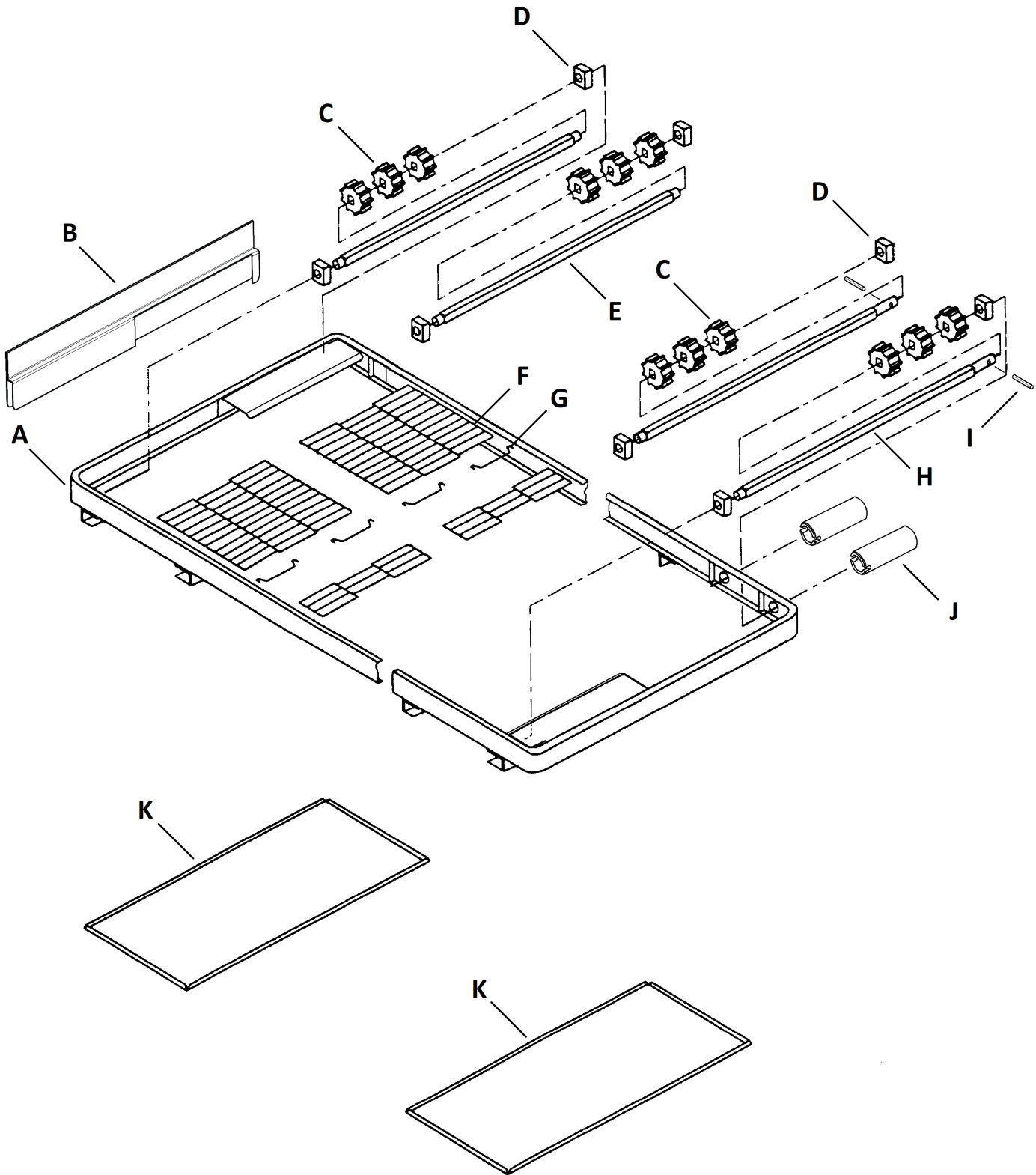
Conveyor – Full Belt Gas and Electric Models













Conveyor – Full Belt Gas and Electric Models

LETTER	PHOTO	PART NUMBER	DESCRIPTION	CRITICAL / RECOMM.
		369222 370677 371189	Complete Conveyor Assembly (S/N 2052462 & Below) Complete Conveyor Assembly (S/N 2052463 & Above) Complete Conveyor Assembly (-008-U Model Only)	
		371338 1174-CLE	Complete Conveyor Assembly (S/N 2052462 & Below) (K.K.) Complete Conveyor Assembly (S/N 2052463 & Above) (K.K.)	
A		369666	Conveyor Frame Assembly	
B		369226	Pan Stop	
C		369516	Conveyor Bearing	R
D		369514 371533	Idler Shaft, Regular Conveyor Idler Shaft, (-008-U Model Only)	
E		369471	Roll Pin	R
F		369515 370509 369978	Sprocket (W/Set Screw), Regular Conveyor Sprocket, Metal (W/Set Screw), Heavy-Duty Conveyor (.062) Set Screw Only	R
		370997 370993	Blank Roller (-008-U Model Only) Sprocket (-008-U Model Only)	
G		369238 370678 10004442	Drive Shaft (S/N 2052462 & Below) Drive Shaft (S/N 2052463 & Above) Drive Shaft (-008-U Model Only)	
H		369194 370155 371527	Conveyor Belt, Complete, Regular Conveyor (.050) Conveyor Belt, Complete, Heavy-Duty (.062) Conveyor Belt, Complete, (-008-U Model Only) (.072)	R
		369394 370157	Belt, 1ft. Section, Regular Conveyor (.050) Belt, 1ft. Section, Heavy-Duty (.062)	R
I		369165 370156 371528	Splice Clip, Regular Conveyor (.050) Splice Clip, Heavy-Duty (.062) Splice Clip, (-008-U Model Only) (.072)	R
J		370671	Coupler (S/N 2052463 & above) (Metal W/Spring) - Digital Models Only For easyTouch Models see page 40 - 46	C
K		369190	Coupler (S/N 2052462 & below) (Rubber Inner, Metal Outer) Digital Models Only For easyTouch Models see page 40-46	R
L		370116	Set Screw (S/N 2052462 & Below) Digital Models Only For easyTouch Models see page 40-46	
M		369512	Coupling Center (S/N 2052462 & Below) Digital Models Only For easyTouch Models see page 40-46	R
N		369269	Ball Plunger (S/N 2052462 & Below) Digital Models Only For easyTouch Models see page 40-46	R
O		369223 369223	Crumb Pan, Right (S/N 2045452 & Below) Crumb Pan, Right (S/N 2045453 & Above) (Same as Left)	
P		369224 369223	Crumb Pan, Left (S/N 2045452 & Below) Crumb Pan, Left (S/N 2045453 & Above) (Same as Right)	

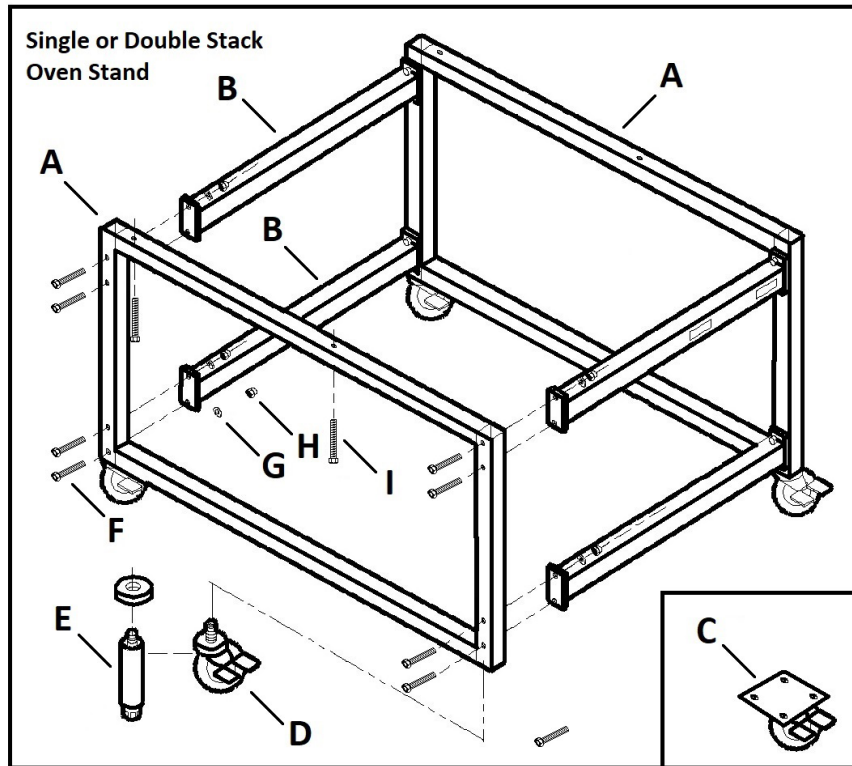
Conveyor – Split Belt Gas and Electric Models






Conveyor – Split Belt Gas and Electric Models

LETTER	PHOTO	PART NUMBER	DESCRIPTION	CRITICAL / RECOMM.
		371099	Complete Conveyor Assembly Split Belt	
A		90000646	Conveyor Frame Assembly	
B		70001451	Pan Stop	
C		369515	Sprocket (W/Set Screw)	R
		369978	Set Screw Only (For Above Sprocket)	
D		369516	Conveyor Bearing	R
E		369514	Idler Shaft	
F		10004535	Conveyor Belt, Complete	
			Belt, 1ft. Section	
G		369952	Splice Clip	
H		370678	Drive Shaft	
I		369471	Roll Pin Digital Models Only For easyTouch Models see page 40 - 46	R
J		370671	Coupler (Metal W/Spring) Digital Models Only For easyTouch Models see page 40 - 46	C
K		369223	Crumb Pan, Left and Right	

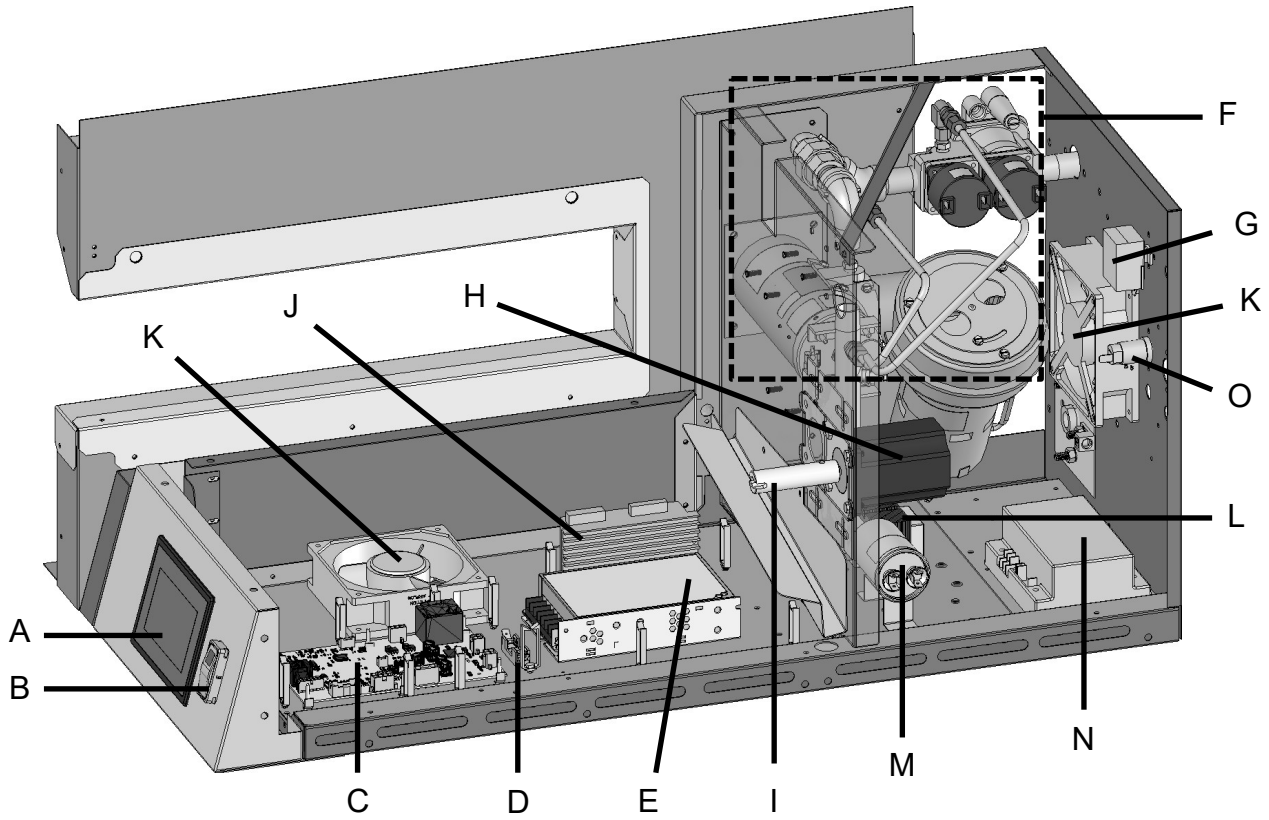
Oven Stand Gas and Electric Models



LETTER	PHOTO	PART NUMBER	DESCRIPTION	CRITICAL / RECOMM.
A		9002507	Stand Side	
B		370412	Cross Support (with Welded Plate)	
C		369390	Caster, 4" with Mounting Plate (Used on Triple Stack Oven Base Only)	
D		369231	Caster, 4" Stem Mount	
E		369232	Adjustable Leg, Stem Mount	
F		369234	Hexagon Bolt (1/4-20 X 2") (Fastens Cross Support to Side)	
G		369096	Washer (1/4 X 1/2 X 1/16)	
H		2133001	Acorn Nut (1/4-20)	
I		369233	Hexagon Bolt (1/4-20 X 2 1/2") (Fastens Oven to Stand)	

THIS PAGE INTENTIONALLY LEFT BLANK

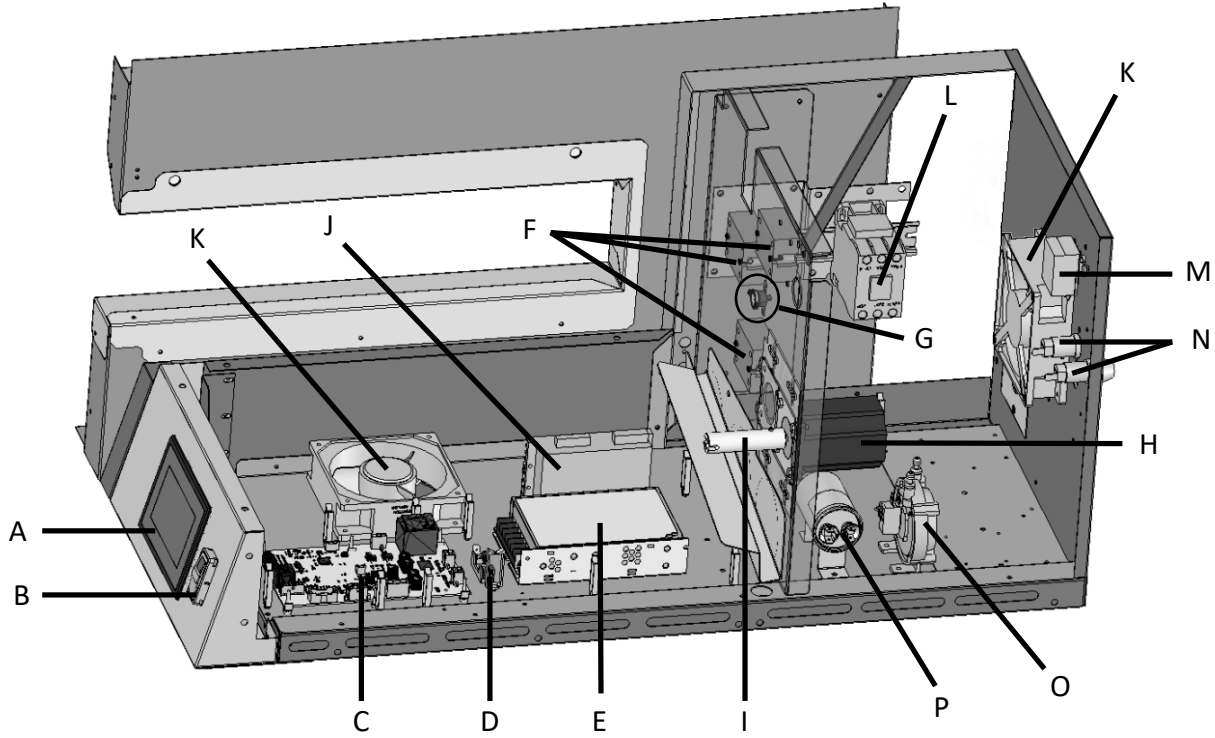
4.3" Touchscreen easyTouch Models 1116, 1117 S/N 2106100101445 to Current



4.3" Touchscreen easyTouch Models 1116, 1117 S/N 2106100101445 to Current

LETTER	PHOTO	PART NUMBER	DESCRIPTION	CRITICAL / RECOMM.
A		CK4607662	U/I Display, 4.3"	C
B		4600614	Switch, On/Off	C
C		CK4607663	I/O Controller	C
D		4606033 2320700	Fuse, 4A Fuse Holder, 20A 600V 1/4 X 1 1/4	C
E		4604751	24VDC Power Supply	R
F			See Gas Train and Burner on Page 16 - 17	C
G		357067	Thermostat, Oven Cavity High-Limit	C
H		CK4607043	Conveyor Motor, Stepper (Includes Drive Coupling)	C
I		4605555	Coupling, Conveyor Drive	
J		4606821	Drive Control, Conveyor Motor (Only if Previously Installed)	R
K		369124	Cooling Fan (S/N 0809210000017 & Above)	C
L		9900250	Transformer, 24VAC	C
M		371197	Capacitor, Main Fan Motor, 15µF	C
N		369532	Ignition Control Module	
Not Shown		369552	Hot Surface Ignitor	R
Not Shown		370304	Hot Surface Ignitor Connector Kit	R
O		369129	Fuse Holder	
O		369166	Fuse, 10A	
Not Shown		4606341	Thermocouple, Type K	C
Not Shown		4607498	UI to IO Cable	C
Not Shown		369331	FINGER GUARD COOLING FAN COVER	C

4.3" Touchscreen easyTouch Models 1130, 1131, 1132, 1133 S/N 2104100102813 to Current

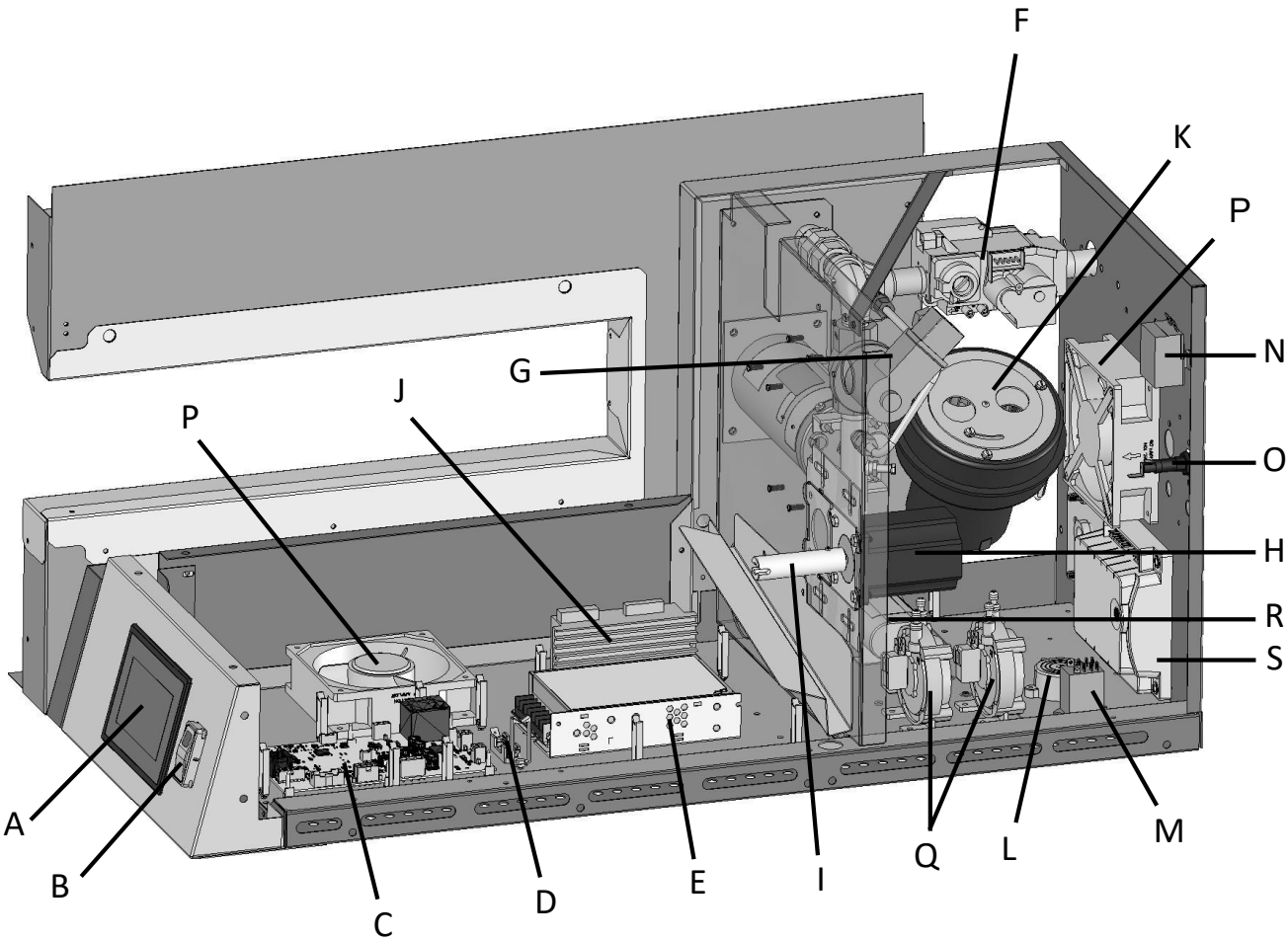


4.3" Touchscreen easyTouch Models 1130, 1131, 1132, 1133 S/N 2104100102813 to Current

LETTER	PHOTO	PART NUMBER	DESCRIPTION	CRITICAL / RECOMM.
A		CK4607662	U/I Display, 4.3"	C
B		4600614	Switch, On/Off	C
C		CK4607663	I/O Controller	C
D		4606033 2320700	Fuse, 4A Fuse Holder, 20A 600V 1/4 X 1 1/4	C
E		4604751	24VDC Power Supply	R
F		4605506	SSR, 50A	C
G		4606389	High Limit, Control Box	C
H		CK4607043	Conveyor Motor, Stepper (Includes Drive Coupling)	C
I		4605555	Coupling, Conveyor Drive	
J		4606821	Drive Control, Conveyor Motor (Only if Previously Installed)	R
K		369378	Cooling Fan (S/N 0809210000017 & Above)	C
L		370379	Contactora, Safety	C
M		357067	Thermostat, Oven Cavity High-Limit	C
N		369166	Fuse, 10A	
		369129	Fuse Holder	R
O		370673	Air Pressure Switch (Gold Tech)	
P		369192	Capacitor, Main Fan Motor, 7.5μF	R
Not Shown		4606341	Thermocouple, Type K	C
Not Shown		4607498	UI to IO Cable	C
Not Shown		369331	FINGER GUARD COOLING FAN COVER	C

easyTouch Gas Export Models 1154, 1155, 1157, 1158

S/N: 2111100101008 and Above

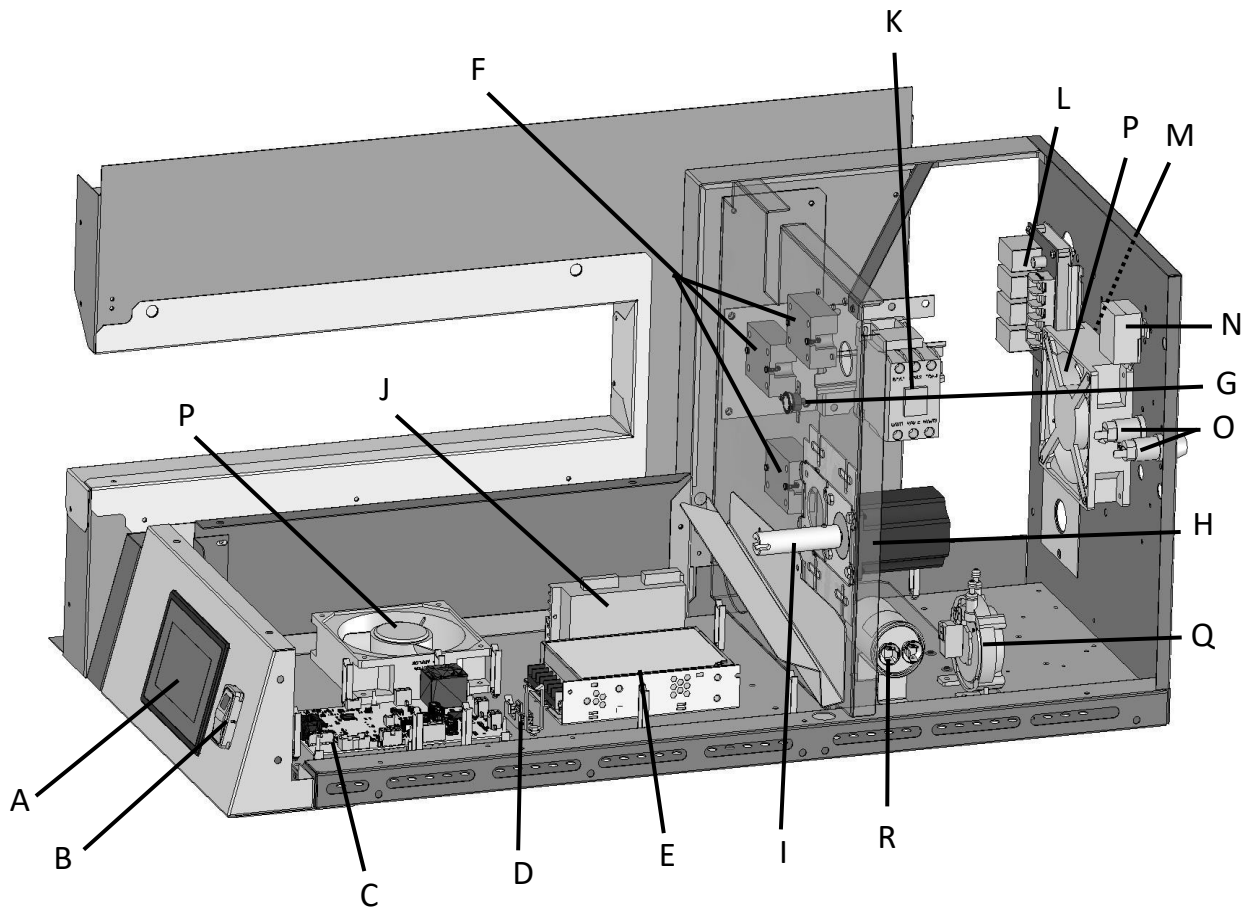


easyTouch Gas Export Models 1154, 1155, 1157, 1158 S/N: 2111100101008 and Above

LETTER	PHOTO	PART NUMBER	DESCRIPTION	CRITICAL / RECOMM.
A		4605882	U/I Display, 4.3"	
B		4600614	Switch, On/Off	
C		4604947	I/O Controller	
D		4606033	Fuse, 4A	
		2320700	Fuse Holder, 20A 600V 1/4 X 1 1/4	
E		4604751	24VDC Power Supply	
F		370400	VALVE VK4115 A 1000	
G		370186	VALVE SOLENOID 220	
H		4607043	Conveyor Motor, Stepper (Includes Drive Coupling)	
I		4605555	Coupling, Conveyor Drive	
J		4606821	Drive Control, Conveyor Motor (Only if Previously Installed)	
K		369589	MOTOR BLOWER BURNER	
		369399	Air Shutter Assembly, Blower Motor	
L		4095021	Alarm (250V Solid State)	
M		369422	Relay	
N		369368	THERMOSTAT, HIGH LIMIT	
O		369014	FUSE 10 AMP	
		357107	FUSE HOLDER	
P		369378	COOLING MOTOR/FAN 230VAC	
			369331	Fan Guard
Q		370673	AIRSWITCH PS100 GOLDTEC	
R		369192	CAPACITOR 7.5 MFD, 370 VAC	
S		4604018	IGNITION MODULE TECHRITE	
Not Shown		4606341	Thermocouple, Type K	
Not Shown		4607498	UI to IO Cable	C
Not Shown		369331	FINGER GUARD COOLING FAN COVER	C

easyTouch Electric Export Model 1164

S/N: 22011001000482 and Above



easyTouch Electric Export Model 1164 S/N: 22011001000482 and Above

LETTER	PHOTO	PART NUMBER	DESCRIPTION	CRITICAL / RECOMM.
A		4605882	U/I Display, 4.3"	
B		4600614	Switch, On/Off	
C		4604947	I/O Controller	
D		4606033	Fuse, 4A	
		2320700	Fuse Holder, 20A 600V 1/4 X 1 1/4	
E		4604751	24VDC Power Supply	
F		4605506	SSR, 50A	
G		4606389	High Limit, Control Box	
H		4607043	Conveyor Motor, Stepper (Includes Drive Coupling)	
I		4605555	Coupling, Conveyor Drive	
J		4606821	Drive Control, Conveyor Motor (Only if Previously Installed)	
K		370739	Safety Contactor	
L		4603140	3 Phase Filter Assembly	
M		369331	Fan Guard	
N		369368	THERMOSTAT, HIGH LIMIT	
O		369166	10A Fuse	
		369129	Fuse Holder	
P		369378	COOLING MOTOR/FAN 230VAC	
Q		370673	AIRSWITCH PS100 GOLDTEC	
R		371192	Capacitor, 7.5MFD, 370 Volt, 50/60HZ, 90C	
Not Shown		4606341	Thermocouple, Type K	

Wire Harnesses

easyTouch Harness for Ovens Pg 40 - 46







LETTER	PHOTO	PART NUMBER	DESCRIPTION	CRITICAL / RECOMM.
		4606892	DC Harness Type 2 All easyTouch (Gas)	
		4606895	High Voltage Gas Domestic 1116/17	
		4606782	High Voltage Gas Export 1154/55/57/58	
		11010005837	Techright Harness Gas Export 1154/55/57/58	
		4606897	Alarm Interlock 1157/58 ONLY	
		4605573	DC Harness Type 1 All easyTouch (Electric)	
		4606894	High Power Harness Single 1130/31	
		4605575	High Power Harness Delta 1132/33	
		4606893	High Power Harness 1164	
		4605574	High Voltage Domestic 1130/31/32/33	
		4605576	Aux Recepticle (1132) 1130/31/32/33	
		4606899	CORD SET 8.5" COOLING FAN ASSY	
		4606900	CORD SET 35" COOLING FAN ASSY	

Digital Harness for Ovens Pg 4 - 38

LETTER	PHOTO	PART NUMBER	DESCRIPTION	CRITICAL / RECOMM.
		11010005837	WIRE HARNESS, IGNITION CONTROL,1154	
		10001509	WIRE HARNESS 1154080EA	
		11010005863	WIRE HARNESS,1154,GAS,CE (TECHRITE)	
		11010005852	CABLE ASSY., TECHRITE/ HONEYWELL VALVE	
		369577	CONNECTOR BR 1/4TX1/8P	
		10001582	WIRE HARNESS 1164-080-E	
		9910544	WIRE HARNESS 1116-1117	
		9910546	WIRE HARNESS 1130, 1131, 1132, 1133	

THIS PAGE INTENTIONALLY LEFT BLANK

Miscellaneous Items Gas and Electric Models

LETTER	PHOTO	PART NUMBER	DESCRIPTION	CRITICAL / RECOMM.
		369668	Label, Caution Hot	
		371417	Conversion Kit, Mercury to SSR (Electric Ovens)	
		370129	Domestic 1130, 1132 Conversion Kit, 208V to 240V (Electric Ovens)	
		370130	Domestic 1131, 1133 Conversion Kit, 240V to 208V (Electric Ovens)	
		369874	Domestic 1116 Natural to Propane Gas Conversion Kit	
		369875	Domestic 1117 Propane to Natural Gas Conversion Kit	
		370307	Export 1154 Natural to Propane Gas Conversion Kit	
		370308	Export 1155 Propane to Natural Gas Conversion Kit	
		371537	Export (1100 Korea ONLY) Natural to Propane Gas Conversion Kit	

**WELBILT**[®]
Bringing innovation to the table

Welbilt offers fully-integrated kitchen systems and our products are backed by KitchenCare[®] aftermarket parts and service. Welbilt's portfolio of award-winning brands includes Cleveland[™], Convothem[®], Crem[®], Delfield[®], fitkitchen[®], Frymaster[®], Garland[®], Kolpak[®], Lincoln[®], Manitowoc[®], Merco[®], Merrychef[®] and Multiplex[®].

Bringing innovation to the table • welbilt.com