

Breakout Dining Station

Laminate

Models 6850, 6855**Bring style, flexibility and ease to any office-dining occasion.****Benefits**

- Ample interior storage is designed to hold all requirements for a small catering function
- Transport and serve from one sturdy, attractive cart

Features

- Top railing on three sides help hold items securely on top.
- Handy dish storage compartment on user side
- Laminate top and cabinet construction, available in a variety of standard and custom finishes
- Spacious 30" dropleaves fold down for easy transport and storage
- Optional drop-in induction stoves (up to 3) available for cook-to-order meals or reheating appetizers.

Casters

- 4" recessed heavy-duty casters; two swivel, two fixed for smooth easy glide support



Model 6850



Optional Hinged Doors

Specifications:

Lakeside Model #6850 or 6855 is of laminate construction. Unit features two or three interior storage compartments for storage of bulk food, supplies and equipment. Serving side includes a recessed open compartment for storage and dispensing of plates. Top is of MDF board with black waterproof laminate finish, and includes a stainless steel rail on three sides. Drop leaves on both ends feature swing-out supports for added rigidity. Cabinet features a recessed stainless steel base panel on three sides to conceal casters. Interior compartments include an adjustable laminate shelf (except for RH compartment on #6855). One compartment has five sets of stainless steel pan ledges with 3" spacing. Casters are 4" diameter all-swivel with non-marking cushion tread wheels.

Spec. # _____

A/A # _____

Lakeside Manufacturing, Inc.

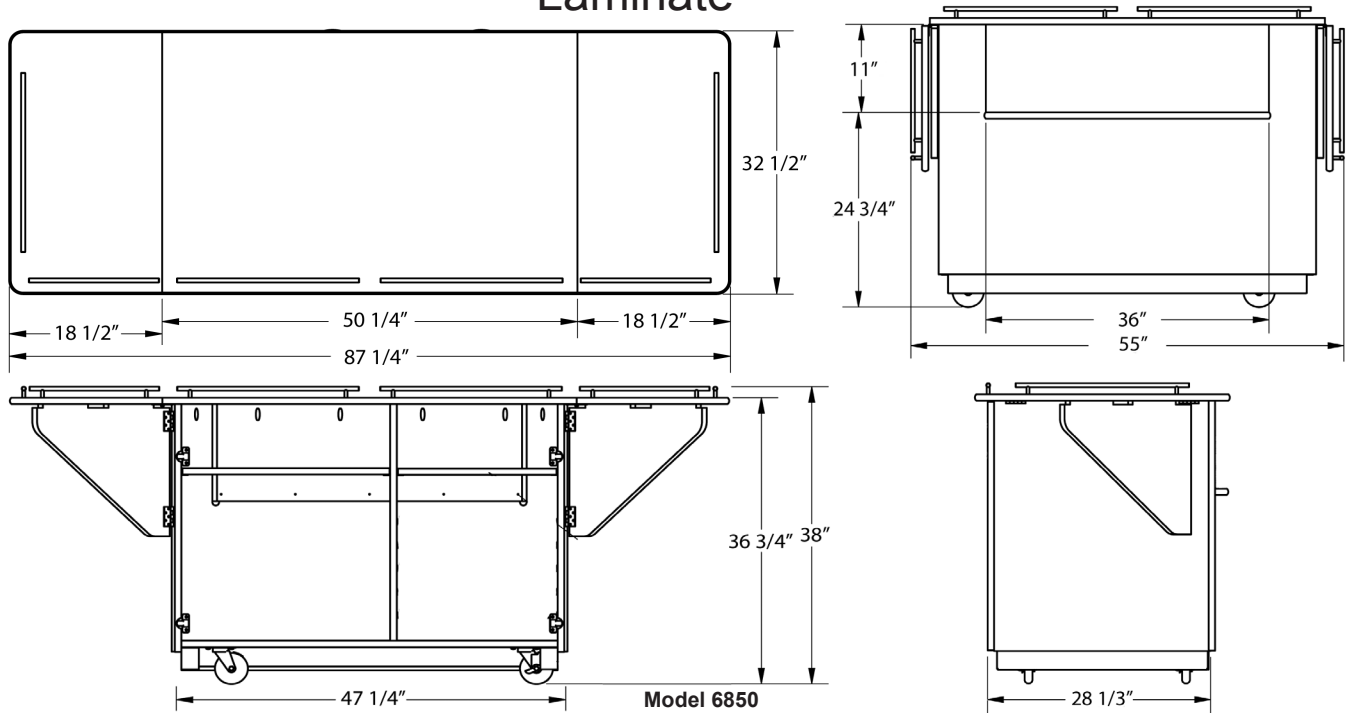
4900 West Electric Avenue • West Milwaukee, WI 53219 U.S.A.

800-558-8565 • 414-902-6400 • Fax 414-902-6446 • info@eLakeside.com • www.eLakesideFoodservice.com

Models
6850, 6855

Breakout Dining Station

Laminate



Available Finishes



Custom Finishes Available.

Model Information

Model	Interior Compartments			Leaves	Overall Size			Dish Compartment			Drop Leaves		Top (Leaves Up)		Case Wt. Lbs.	
	W	D	H		W	L	H	W	D	H	W	D	L	W		
6850	Left:	25 1/4" (641)	27 1/4" (692)	30 1/2" (775)	Up:	32 1/2" (825)	87 1/4" (2216)	38" (965)	36" (914)	12" (305)	11" (279)	16 3/8" (416)	30 1/2" (775)	83 1/2" (2121)	30 1/2" (775)	315 (142 kg)
	Right:	19 1/2" (495)	27 1/4" (692)	30 1/2" (775)	Down:	32 1/2" (825)	55" (1397)	38" (965)								
6855	Left:	25 1/4" (641)	27 1/4" (692)	30 1/2" (775)	Up:	32 1/2" (825)	99" (2515)	38" (965)	48" (1219)	12" (305)	11" (279)	16 3/8" (416)	30 1/2" (775)	95" (2413)	30 1/2" (775)	355 (160 kg)
	Center:	19 1/2" (495)	27 1/4" (692)	30 1/2" (775)	Down:	32 1/2" (825)	67" (1702)	38" (965)								
	Right:	11 1/2" (292)	27 1/4" (692)	30 1/2" (775)												

Measurements in () are in metric millimeters unless otherwise noted.

Options:

- Hinged Doors (with or without lock)
- Solid surface resin top
- Top display shelf (glass)
- Drop-in induction stoves
- Drop-in cold pans (eutectic)

Finishes:

- Walnut
- Black
- Light Maple
- Red Maple
- Beige Suede
- Victorian Cherry
- Gray Sand
- Hard Rock Maple
- Custom _____



Lakeside Manufacturing, Inc.
4900 West Electric Avenue • West Milwaukee, WI 53219 U.S.A.
800-558-8565 • 414-902-6400 • Fax 414-902-6446
info@eLakeside.com • www.eLakesideFoodservice.com