



The Signature of Quality®

FEDERAL INDUSTRIES

A Standex Company

215 Federal Avenue
Belleville, Wisconsin 53508-9201

Phone: 800-356-4206

Fax: 608-424-3234

Email: Geninfo@Federalind.com

Website: Federalind.com

Project Name: _____

Item #: _____

Model #: _____ Qty: _____

Approval: _____

AIA #

SIS #

Vision Series - Curved End Self-Serve Heated Merchandiser - 78"

Designed for customers looking to increase grab and go sales of hot packaged products or to complement refrigerated offering.



Model VHSS3678C
Shown With Options

MODEL	DIMENSIONS (Includes End Panels)
<input type="checkbox"/> VHSS2478C	24 x 33 x 78 (in) 610 x 838 x 1981 (mm)
<input type="checkbox"/> VHSS3678C	36 x 33 x 78 (in) 914 x 838 x 1981 (mm)
<input type="checkbox"/> VHSS4878C	47.25 x 33 x 78 (in) 1200 x 838 x 1981 (mm)

STANDARD FEATURES

Model Features

- Stainless steel interior including shelves
- Stainless steel heated display deck
- Choice of six standard colors on lower millwork panel
- Removable heated deck
- Black powder coated base frame
- Tempered glass ends
- Moisture resistant end panel construction
- Black trim
- Adjustable leg levelers
- Cord & plug

Heating System

- Independently controlled heated shelves and deck, that are easily adjusted or replaced.
- Holds product up to an average temperature of 160°F (71°C)
- Easy front access microprocessor digital temperature controls

Shelving

- 4 heated tiers of adjustable stainless-steel shelves with price tag molding on 1 1/8" centers. Shelves can be flat or slanted downwards at 10°

Lighting

- 3500K LED Top Light

Agency Approvals

- UL, C-UL, and NSF4

OPTIONAL ACCESSORIES

- 3500K LED lights below shelves
- Special exterior laminate finish
- Graphics package
- Stainless steel exterior finish
- Solid right/left end panels (mirrored)
- Reflective end glass
- Replacement shelves and deck
- Clear or reflective sliding rear doors (Solid hinged on 24" cases)
- Front cart bumper
- Recessed casters
- 4" (101.6mm) casters
- Legs, 6" (152mm)
- Seismic legs
- Skirt w/casters or legs
- Joining kit for continuous line-ups
- Front wire display basket

*Additional options available on the website and price list.



WARRANTY*
One year Parts and Labor
(U.S.A. and Canada)

Note: Information is subject to change at any time. Visit www.federalind.com for the most current specs.

AIA #
SIS #

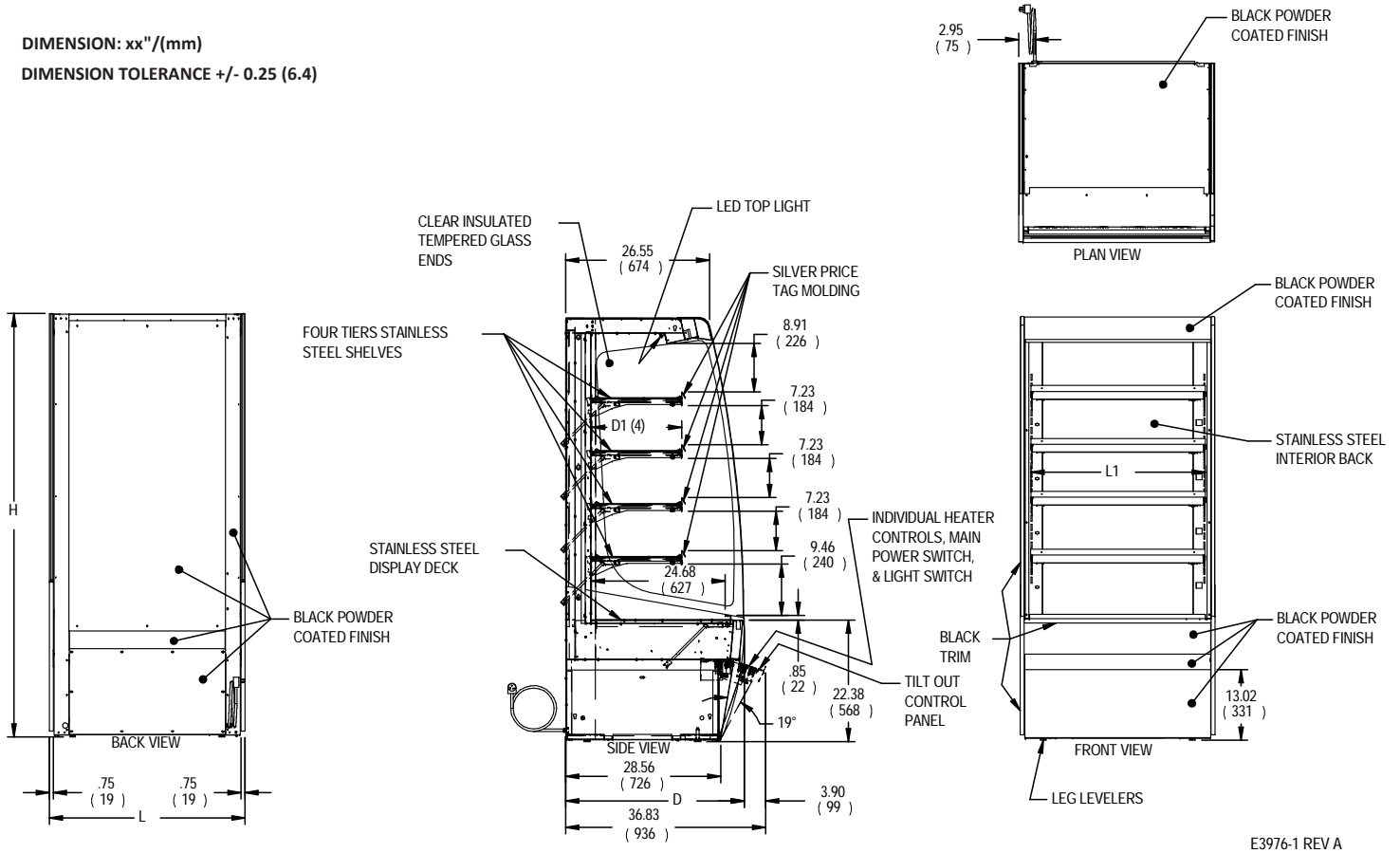
Vision Series - Curved End Self-Serve Heated Merchandiser - 78"

Product Specifications

Zone	Intended Product to Be Displayed	Warmest Avg Prod Temp °F/°C
All	Packaged Heated Merchandise	160°F/(71.1C)

DIMENSION: xx"/(mm)

DIMENSION TOLERANCE +/- 0.25 (6.4)



E3976-1 REV A

MODEL	DIMENSIONS			SHELVING		INTERIOR VOLUME CU FT	STANDARD CONNECTION CORD & PLUG			SHIP WEIGHT	
	L	D	H	# OF TIERS	L1		D1	2 WIRE + GROUND			NEMA CORD & PLUG
	in	in	in		in		in	208-240/60/1			
	mm	mm	mm		mm		mm	AMPS	MAX FUSE SIZE	KILO	
VHSS2478C	24	33	78	4	32.25	16.61	12.64	7.3 @ 208	15	NEMA 6-15P	510
	610	838	1981		819	422		8.6 @ 240			231
VHSS3678C	36	33	78	4	43.25	16.61	19.47	12.0 @ 208	20	NEMA 6-20P	555
	914	838	1981		1099	422		13.5 @ 240			252
VHSS4878C	47.25	33	78	4	55.25	16.61	25.74	16.2 @ 208	30	NEMA L6-30P	580
	1200	838	1981		1403	422		18.8 @ 240			263

- Packaged food products placed in case must be pre-heated before placing in case.
- Due to continuing engineering improvements, specifications are subject to change without notice.



FEDERAL INDUSTRIES

A Standex Company

215 Federal Avenue, Belleville, Wisconsin 53508-9201

Phone: 800-356-4206

Fax: 608-424-3234

Email: Geninfo@Federalind.com

Website: Federalind.com