



STAINLESS STEEL  
SQUARE CORNER SCULLERY

# BUDGET SINKS

"400" Series "600" Series

Item #: \_\_\_\_\_ Qty #: \_\_\_\_\_  
 Model #: \_\_\_\_\_  
 Project #: \_\_\_\_\_



ONE COMPARTMENT



THREE COMPARTMENT



TWO COMPARTMENT



FOUR COMPARTMENT

**MATERIAL:**

"400" Series is 16 gauge type 430 Series.  
 "600" Series is 16 gauge type 304 Series.  
 Galvanized tubular legs.  
 1" adjustable plastic bullet feet.

**CONSTRUCTION:**

All heli-arc welded.  
 Welded areas blended to match adjacent surfaces  
 and to a satin finish.

**MECHANICAL:**

Supply is 1/2" hot & cold.  
 Faucet holes on 8" O.C.  
 Waste drains are 1 1/2" IPS basket type and are included.  
 Faucets are not included (see accessories).  
 Four compartment units require two faucets.  
 Three compartment units with 24" sink bowls  
 require two faucets.



Click This Link  
To View  
Drainboard Specs



**DETACHABLE DRAINBOARDS**

Size	18 Ga. S/S "430"	Wt.
18" x 18"	<b>N-5-818</b>	10 lbs.
21" x 18"	<b>N-5-18</b>	11 lbs.
21" x 24"	<b>N-5-24</b>	12 lbs.
21" x 30"	<b>N-5-30</b>	22 lbs.
21" x 36"	<b>N-5-36*</b>	25 lbs.
21" x 48"	<b>N-5-48*</b>	28 lbs.
24" x 24"	<b>N-54-24</b>	18 lbs.
24" x 36"	<b>N-54-36*</b>	32 lbs.
24" x 48"	<b>N-54-48*</b>	36 lbs.

\*Drainboards 36" and 48" are supplied with legs for support



Stores Conveniently  
On Side Of Sink



Click This Link  
To View  
S/S Cover Specs

**STAINLESS STEEL SINK COVERS  
FOR ONE COMPARTMENT BUDGET SINKS**

Size	MODEL	Wt.
18" x 18"	<b>LSC-81</b>	20 lbs.
21" x 24"	<b>LSC-24</b>	21 lbs.
24" x 24"	<b>LSC-242</b>	22 lbs.
24" x 36"	<b>LSC-36</b>	23 lbs.



Customer Service Available To Assist You 1-800-645-3166 8:30 am - 7:00 pm E.S.T.

For Orders & Customer Service:

Email: customer@advancetabco.com or Fax: 631-242-6900

For Smart Fabrication™ Quotes:

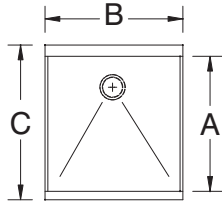
Email: smartfab@advancetabco.com or Fax: 631-586-2933

# DIMENSIONS and SPECIFICATIONS

TOL Overall: ± .500" Interior: ± .250"

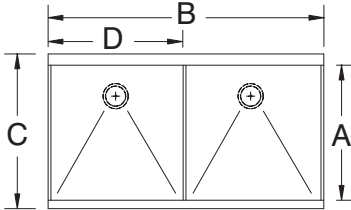
ALL DIMENSIONS ARE TYPICAL

## ONE COMPARTMENT



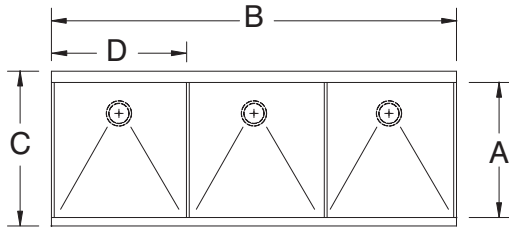
A	B	C	"400" Series	"600" Series	Ship Weight
			16 Ga. S/S "430"	16 Ga. S/S "300"	
18"	18"	21 1/2"	4-81-18	6-81-18	45 lbs.
21"	18"	24 1/2"	4-1-18	N/A	47 lbs.
21"	24"	24 1/2"	4-1-24	6-1-24	53 lbs.
21"	36"	24 1/2"	4-1-36	6-1-36	66 lbs.
24"	24"	27 1/2"	4-41-24	6-41-24	53 lbs.
24"	36"	27 1/2"	4-41-36	6-41-36	69 lbs.

## TWO COMPARTMENTS



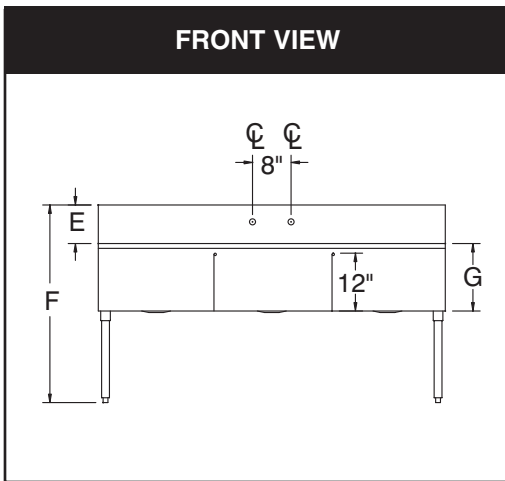
A	B	C	D	"400" Series	"600" Series	Ship Weight
				16 Ga. S/S "430"	16 Ga. S/S "300"	
21"	36"	24 1/2"	18"	4-2-36	6-2-36	73 lbs.
21"	48"	24 1/2"	24"	4-2-48	6-2-48	86 lbs.
21"	60"	24 1/2"	30"	4-2-60	N/A	100 lbs.
24"	48"	27 1/2"	24"	4-42-48	6-42-48	88 lbs.

## THREE COMPARTMENTS

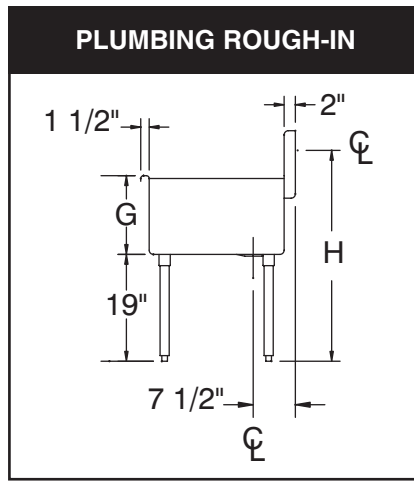


A	B	C	D	"400" Series	"600" Series	Ship Weight
				16 Ga. S/S "430"	16 Ga. S/S "300"	
21"	36"	24 1/2"	12"	4-3-36	6-3-36	78 lbs.
21"	48"	24 1/2"	16"	4-3-48	6-3-48	91 lbs.
21"	54"	24 1/2"	18"	4-3-54	6-3-54	98 lbs.

## FRONT VIEW



## PLUMBING ROUGH-IN



	18" & 21"	24"
	Front to Back Models	Front to Back Models
E	8"	6"
F	41"	39"
G	14"	13"
H	37 3/4"	35 3/4"

