



Walk-In Installation Manual

**Norlake[®] Kold Locker[™], Fast-Trak[®], Fineline[™],
Enviro-Line & Mini Rooms**

**Master-Bilt[®] QS Series, Quick Ship, Bilt2Spec[™]
& Ready-Bilt[™]**





Table of Contents

Introduction	3
Product Safety Policy	4
Tools Required	5
General Information	6-10
Unpacking / Inspection	6
Foam Panel Storage	8
Construction Diagram	9
Section Latches	10
Walk-in Installation	11-34
Floor Installation	12
Site Selection, Base Preparation	14
Wall and Ceiling Panel Construction	22
Panel Installation Order	25
Door / Door Section	26
Exterior Ramp	30
Interior Ramp	31
Membrane Roof	32
Electrical Connections	33
Wiring	33
Walk-in Maintenance	38-46
Door Parts	38
Electrical Connection	47
Final Checklist for Installation	48-49

Introduction

Your Refrigerated Solutions Group (RSG) Walk-In Cooler or Freezer was quality engineered and produced under rigid factory controls. It features the very latest in manufacturing technology plus innovative design techniques that will provide the ultimate in user convenience.

Please maintain this service-reference material in a handy file for an immediate answer to any questions you may have concerning your RSG Walk-In. This manual was designed not only to provide guidance during the installation phase, but to serve its owner as a reference source for years to come. It contains information pertaining to the operation of its various components, electrical wiring details, maintenance procedures and adjustment techniques or replacement methods for certain parts.

Please take time to read all sections of this manual. You will be rewarded with a better understanding of your equipment and will gain product knowledge that will assist you in obtaining the performance that you should expect from your RSG Walk-In.

Sincerely,

Refrigerated Solutions Group

ANY CORRESPONDENCE PERTAINING TO THIS EQUIPMENT MUST CONTAIN THE MODEL NUMBER AND THE SERIAL NUMBER AS THEY APPEAR ON THE DATA PLATE LOCATED ON THE INSIDE OF THE DOOR SECTION.

Refrigerated Solutions Group
891 County Road U
Hudson, WI 54016

800-955-5253 Norlake Foodservice Sales
800-477-5253 Norlake Scientific Sales
800-388-5253 Norlake Parts/Service

800-647-1284 Master-Bilt Sales
800-684-8988 Master-Bilt Parts/Service



PRODUCT SAFETY POLICY

We strive to provide those who buy product with equipment which is:

1. Developed by applying professional engineering principles in product research, development and user safety.
2. Designed to comply with or exceed industry performance and safety regulations.
3. Thoroughly reviewed and professionally tested for function, reliability and product safety.
4. Manufactured according to our professional purchasing, production and quality control standards designed to assure continued product reliability and safety.
5. Represented in our advertising and/or product literature in an informational and factual manner created to aid our customer in their product selection.
6. Accompanied by clear, complete installation, operation and maintenance instructions designed to assure many years of satisfactory product performance.
7. It is only through you, our satisfied customer, that we can continue our past successes in the design, development and manufacture of refrigeration equipment.
8. RSG reserves the right to improve upon our products without notice and without imposing on ourselves, any obligation to make such changes on products previously manufactured.

Warning: Walk-in floor must be kept free of any items that could cause a slip hazard. Spilled liquids, food particles or any moisture on the walk-in floor can cause the floor to become slippery. Keep the floor surface clean and dry at all times.

- Inspect non-skid floor strips on ramps and floor surfaces and replace if worn.
- Inspect refrigeration system, door gaskets and hardware for proper operation to prevent moisture on walk-in floor, ceiling or walls.
- Avoid leaving entry doors open for more than five minutes, which can cause a film of ice or moisture to form on floor, ceiling and wall surfaces due to the excessive condensation of warm moist air entering the walk-in. Vinyl strip curtains can be used to reduce the amount of warm moist air entering the walk-in.

TOOLS REQUIRED FOR UNCRATING AND INSTALLATION OF YOUR RSG WALK-IN



- LEVEL
- CAULK GUN
- TAPE MEASURE
- SAFETY GLASSES
- HAMMER
- METAL SNIPS
- PRY BAR
- PHILLIPS SCREWDRIVER
- ALLEN WRENCH
- UTILITY KNIFE
- SQUARE
- DRILL DRIVER

GENERAL INFORMATION

WALK-IN INSTALLATION GENERAL INFORMATION

This walk-in cooler or freezer was produced utilizing the latest in manufacturing technology, the highest quality materials available, along with innovations that make it a distinctive product in its field. Despite rigid controls in the production of the product, there is no substitute for thoroughly reading and UNDERSTANDING the instructions that follow. The result will be an orderly and efficient installation. Take the time to follow the steps explicitly! **NOTE: The most important step is to start with a level surface.**

NOTE: Indoor walk-in(s) must be in an environmentally controlled space. Relative humidity should be kept between 30% - 60%, maintaining a dew point of 50°F or less.



Delivery Receipt

UNPACKING / INSPECTION

Check the Delivery Receipt for the number of pieces that made up the shipment and make sure that the number of pallets, boxes or crates agrees with that number. Each piece should be clearly marked with the same order number that appears on the Delivery Receipt as the shipper's number. Each individual walk-in is color coded.

Examine the general condition of the shipment and, as soon as unpacking is completed, carefully inspect all parts for possible shipping damage. If damaged parts are discovered, contact RSG immediately.



Standard Walk-in panels



Refrigeration System with Control Panel

GENERAL INFORMATION

Remove protective packaging and locate the hardware bag.



The hardware bag contains accessory parts for this walk-in together with a construction diagram, a layout of the walk-in chamber including a screed assembly for floorless walk-ins, and a detailed packing list of all parts furnished for this individual walk-in. All parts should be compared to the packing list.

If discrepancies are found, contact RSG immediately. Some walk-ins come with an additional orange hardware box.



Locate packing list and use as a reference during uncrating.

Q'ty	Part Number	Description	Eq. #
1	101711-1	100-25 X 24 1/2 CORNER	
2	101711-2	100-25 X 24 WALL	
20	101711-3	100-25 X 48 WALL	
1	101711-4	100-25 X 48 WALL W/ GFI OUTLET	
1	101711-5	100-25 X 48 WALL W/ GFI OUTLET	
1	101711-6	100-25 X 72 WALL W/ GFI	
1	101711-7	100-25 X 72 WALL W/ GFI	
1	101711-8	100-25 X 36 WALL W/ GFI	
1	101711-9	100-25 X 36 WALL W/ GFI	
1	101711-10	120 X 48 CEILING-MA OR FE	
1	101711-11	120 X 48 CEILING-NT OR FE	
1	101711-12	120 X 48 CEILING-NT OR MA	
1	101711-13	120 X 48 CEILING-NT OR MA	
1	101711-14	120 X 48 CEILING-NT OR MA	
1	101711-15	120 X 48 CEILING-NT OR MA	
1	101711-16	120 X 48 CEILING-NT OR MA	
1	101711-17	120 X 48 CEILING-NT OR MA	
1	101711-18	120 X 48 CEILING-NT OR MA	
1	101711-19	120 X 48 CEILING-NT OR MA	
1	101711-20	120 X 48 CEILING-NT OR MA	
1	101711-21	120 X 48 CEILING-NT OR MA	
1	101711-22	120 X 48 CEILING-NT OR MA	
1	101711-23	120 X 48 CEILING-NT OR MA	
1	101711-24	120 X 48 CEILING-NT OR MA	
1	101711-25	120 X 48 CEILING-NT OR MA	
1	101711-26	120 X 48 CEILING-NT OR MA	
1	101711-27	120 X 48 CEILING-NT OR MA	
1	101711-28	120 X 48 CEILING-NT OR MA	
1	101711-29	120 X 48 CEILING-NT OR MA	
1	101711-30	120 X 48 CEILING-NT OR MA	
1	101711-31	120 X 48 CEILING-NT OR MA	
1	101711-32	120 X 48 CEILING-NT OR MA	
1	101711-33	120 X 48 CEILING-NT OR MA	
1	101711-34	120 X 48 CEILING-NT OR MA	
1	101711-35	120 X 48 CEILING-NT OR MA	
1	101711-36	120 X 48 CEILING-NT OR MA	
1	101711-37	120 X 48 CEILING-NT OR MA	
1	101711-38	120 X 48 CEILING-NT OR MA	
1	101711-39	120 X 48 CEILING-NT OR MA	
1	101711-40	120 X 48 CEILING-NT OR MA	
1	101711-41	120 X 48 CEILING-NT OR MA	
1	101711-42	120 X 48 CEILING-NT OR MA	
1	101711-43	120 X 48 CEILING-NT OR MA	
1	101711-44	120 X 48 CEILING-NT OR MA	
1	101711-45	120 X 48 CEILING-NT OR MA	
1	101711-46	120 X 48 CEILING-NT OR MA	
1	101711-47	120 X 48 CEILING-NT OR MA	
1	101711-48	120 X 48 CEILING-NT OR MA	
1	101711-49	120 X 48 CEILING-NT OR MA	
1	101711-50	120 X 48 CEILING-NT OR MA	
1	101711-51	120 X 48 CEILING-NT OR MA	
1	101711-52	120 X 48 CEILING-NT OR MA	
1	101711-53	120 X 48 CEILING-NT OR MA	
1	101711-54	120 X 48 CEILING-NT OR MA	
1	101711-55	120 X 48 CEILING-NT OR MA	
1	101711-56	120 X 48 CEILING-NT OR MA	
1	101711-57	120 X 48 CEILING-NT OR MA	
1	101711-58	120 X 48 CEILING-NT OR MA	
1	101711-59	120 X 48 CEILING-NT OR MA	
1	101711-60	120 X 48 CEILING-NT OR MA	
1	101711-61	120 X 48 CEILING-NT OR MA	
1	101711-62	120 X 48 CEILING-NT OR MA	
1	101711-63	120 X 48 CEILING-NT OR MA	
1	101711-64	120 X 48 CEILING-NT OR MA	
1	101711-65	120 X 48 CEILING-NT OR MA	
1	101711-66	120 X 48 CEILING-NT OR MA	
1	101711-67	120 X 48 CEILING-NT OR MA	
1	101711-68	120 X 48 CEILING-NT OR MA	
1	101711-69	120 X 48 CEILING-NT OR MA	
1	101711-70	120 X 48 CEILING-NT OR MA	
1	101711-71	120 X 48 CEILING-NT OR MA	
1	101711-72	120 X 48 CEILING-NT OR MA	
1	101711-73	120 X 48 CEILING-NT OR MA	
1	101711-74	120 X 48 CEILING-NT OR MA	
1	101711-75	120 X 48 CEILING-NT OR MA	
1	101711-76	120 X 48 CEILING-NT OR MA	
1	101711-77	120 X 48 CEILING-NT OR MA	
1	101711-78	120 X 48 CEILING-NT OR MA	
1	101711-79	120 X 48 CEILING-NT OR MA	
1	101711-80	120 X 48 CEILING-NT OR MA	
1	101711-81	120 X 48 CEILING-NT OR MA	
1	101711-82	120 X 48 CEILING-NT OR MA	
1	101711-83	120 X 48 CEILING-NT OR MA	
1	101711-84	120 X 48 CEILING-NT OR MA	
1	101711-85	120 X 48 CEILING-NT OR MA	
1	101711-86	120 X 48 CEILING-NT OR MA	
1	101711-87	120 X 48 CEILING-NT OR MA	
1	101711-88	120 X 48 CEILING-NT OR MA	
1	101711-89	120 X 48 CEILING-NT OR MA	
1	101711-90	120 X 48 CEILING-NT OR MA	
1	101711-91	120 X 48 CEILING-NT OR MA	
1	101711-92	120 X 48 CEILING-NT OR MA	
1	101711-93	120 X 48 CEILING-NT OR MA	
1	101711-94	120 X 48 CEILING-NT OR MA	
1	101711-95	120 X 48 CEILING-NT OR MA	
1	101711-96	120 X 48 CEILING-NT OR MA	
1	101711-97	120 X 48 CEILING-NT OR MA	
1	101711-98	120 X 48 CEILING-NT OR MA	
1	101711-99	120 X 48 CEILING-NT OR MA	
1	101711-100	120 X 48 CEILING-NT OR MA	

GENERAL INFORMATION

FOAM PANEL STORAGE

If foam walk-in panels require storage at the job site prior to installation, the following steps must be taken to protect the panels against both staining from moisture and sunlight and denting by workers and traffic.

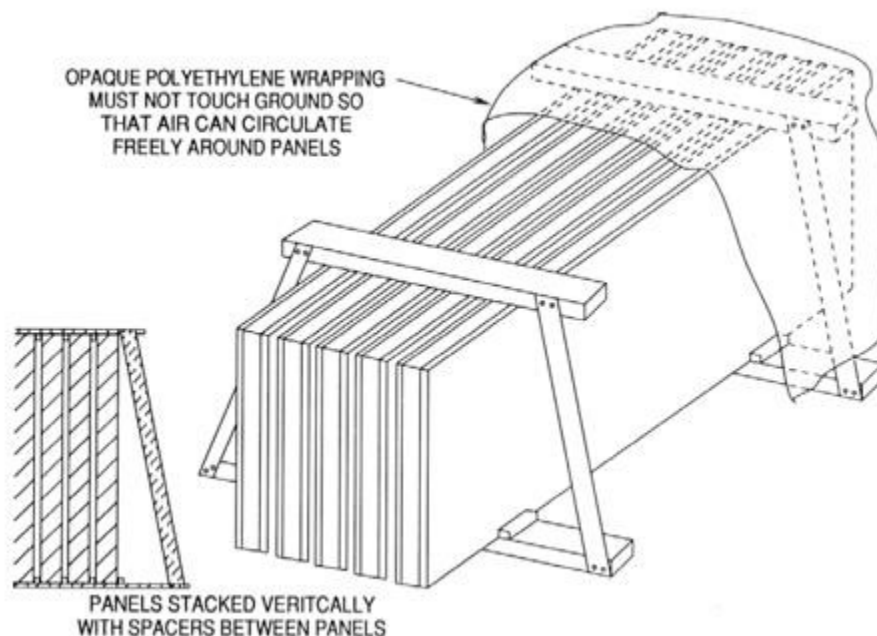
Whenever possible, the panels should be stored indoors, and should remain in the crating pallet they were originally shipped in. If the panels were uncrated as they were unloaded from the delivery truck, and they are being stored indoors, they should be stored vertically on skids with spacers between the panels.

When storing panels in a vertical position, always place the female rail (grooved) edge down (see illustration below.) This method of storing panels will provide proper ventilation, permit drain-off of condensation moisture and protect panels against the formation of white rust stains.

If the panels must be stored outdoors, follow the same procedure as indicated for indoor storage **WITH THIS ADDITION:** Cover the panels completely with an opaque polyethylene water-proof material to protect against rain, snow, heat and sunlight.

The illustration below shows the method for storage outdoors when panels are not left in palletized crates.

Note: RSG always recommends equipment to be installed once received but understands storage may be required. RSG does not guarantee issues related to storage, such as handling damage, storage damage, panel aging, etc. We would recommend the locks be oiled and the panels be wiped down with a white oil.

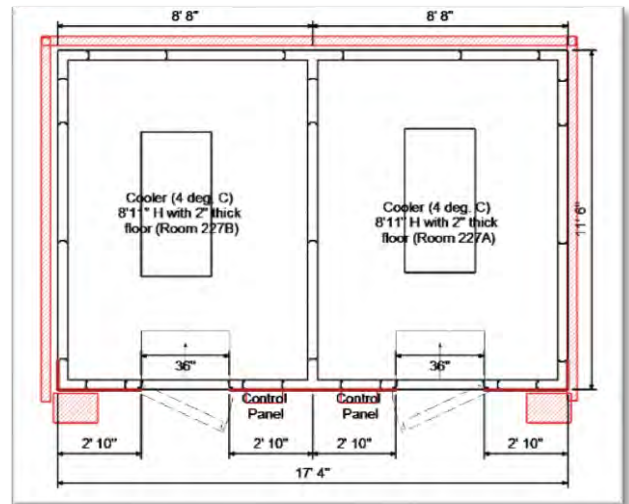


GENERAL INFORMATION

CONSTRUCTION DIAGRAM

The construction diagram, as furnished with each walk-in, is a detailed plan that illustrates the placement of every wall, corner, ceiling and floor panel that comprises a complete, individual walk-in.

The construction diagram for all installations clearly shows the direction of the male and female formed profile of every wall panel and every corner panel.



Construction Diagram

All sections used to construct your walk-in are marked with a specific part number on the section, corresponding with its location on the construction diagram.

If the walk-in is floorless, then a diagram showing the vinyl screed (floor sealer) arrangement is provided.

The vinyl screed combines the capability of retaining the wall panels in place while providing the inner and outer cove at the junction of the walls and the building floor (a requirement of Standard No. 7 of the National Sanitation Foundation (NSF).

IMPORTANT! Do not attempt to erect a floorless walk-in FREEZER on an existing building floor that has not been specially prepared and adequately insulated for below freezing storage temperatures!



RSG Inspection Label and Panel Specific Part Number

GENERAL INFORMATION

SECTION LATCHES

All wall, corner, ceiling and floor panels are joined and locked together by the mechanical action of section latches which are integrally foamed into the panels near the perimeter edges. A section latch consists of two halves – a lock housing which contains a cam actuated locking arm, or hook, and a strike housing which contains the engagement pin. Both housing halves are securely anchored in the foam core of the panel. The lock housing is always located in the male-formed edge and the strike housing will be found in the female-formed edge of the panel.



Fully Extended Cam Lock

TO OPERATE LATCHES



Hex wrench provided in hardware bag



1. Insert the hex wrench (packed in the hardware bag) through the access hole in the interior panel metal into the hex opening of the section latch. Turn wrench in a counterclockwise direction to ensure that the lock is fully unlatched



2. Push the sections tightly together and turn the wrench 1/4 turn in a clockwise direction. This will engage the locking arm (hook) over the pin in the strike housing.



3. Continue turning the wrench to a full stop (approximately 3/4 of a complete turn from the unlatched position) to complete the locking operation.



Latches on some panels will have to be turned counterclockwise to activate the locking cam. These latches will be designated by a "TURN" sticker.

WALK-IN INSTALLATION

SITE SELECTION, BASE PREPARATION AND LEVELING THE FLOOR WALK-IN COOLER OR FREEZER WITH A FLOOR

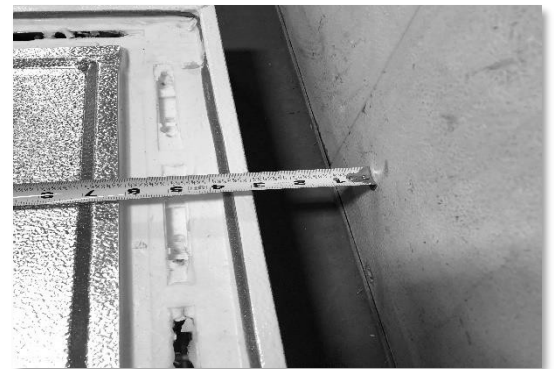
One of the most important considerations in the construction of a walk-in cooler or freezer is the building floor or the surface upon which the walk-in will rest. As with any structure, a firm and level foundation is essential to achieve a perfect result. If the surface is not perfectly level and smooth, appropriate steps must be taken to provide the proper base. The positive action of self-closing doors, proper door gasket seal and condensate removal all depend directly upon the level and plumb installation of all panels.

If the walk-in is to be installed next to an existing building wall(s), make sure that a MINIMUM OF 2" REMAINS BETWEEN THE WALK-IN AND THE BUILDING WALL(S) to allow for irregularities of the building wall(s) and to permit a free flow of air between the two surfaces.



NOTE: Indoor walk-in(s) must be in an environmentally controlled space. Relative humidity should be kept between 30% - 60%, maintaining a dew point of 50°F or less.

In some cases, the surface upon which the walk-in is to be installed was especially prepared for installation and it is perfectly level and smooth. The walk-in floor, in this case, may be installed without further preparation. Before beginning, however, an appropriate vapor barrier must be placed over the surface that the walk-in will occupy. Asphalt felt paper (50#) or a 6-mil polyethylene film, are suggested materials. **These are provided by the installing contractor. A vapor barrier is required on both indoor and outdoor applications.**



WALK-IN INSTALLATION

FLOOR INSTALLATION (Shim Leveling Method) FOR WALK-INS SUBJECT TO LIGHT TO MODERATE LOADS

Locate the highest point within the perimeter lines. A transit or surveyor's level or rotary laser level is an ideal instrument to use for locating this point. When the highest point is located, mark it directly on the floor and refer to the construction diagram to determine where the high point is located with respect to the walk-in floor plan.

One of the most important procedures that will be encountered in the construction of a walk-in with a floor is **LEVELING THE FLOOR**. It must be **PERFECTLY LEVEL!** If it is not, the wall panel will follow the irregularities of the walk-in floor which will directly affect subsequent procedures such as latching, panel gasket seal, ceiling panel assembly among others.

Using the construction diagram as a guide, select the floor panel that will be located directly over the highest point and place it in that position while observing the drawn outline on the building floor.

After the first floor panel is positioned, it must be properly leveled. To achieve this, shimming material of varying thicknesses must be used. Cedar building shingles are ideally suited for this procedure.

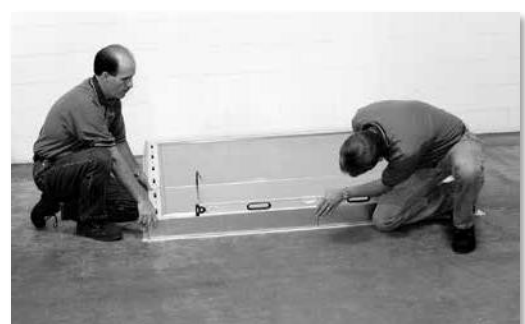
HOWEVER, OTHER MATERIALS THAT ARE RESISTANT TO ROTTING OR COMPRESSION ARE ALSO ACCEPTABLE.

IMPORTANT! EVERY FLOOR PANEL MUST BE SUPPORTED ON ALL FOUR SIDES AND THE ENTIRE

UNDERSIDE, AT LEAST EVERY 12" BY EITHER THE BUILDING FLOOR OR BY SHIMMING.

After the first floor panel has been leveled perfectly, trim away the excess shim material so that none projects from the panel at any of the four edges.

From the construction diagram, determine which floor panel will be installed next and where it will be situated on the floor plan. Prepare shimming material for the second panel at each point where shimming material was used beneath the first floor panel. The shimming material thickness must be such that it will support the second floor panel at the same height as the first panel along the entire length of the joint. **NOTE:** In many cases, the shimming material will be the same thickness as the adjacent shimming under the first panel.



WALK-IN INSTALLATION

Place the second panel in position next to the first floor panel but **DO NOT LOCK!**



Shim the second panel, where necessary, using the same procedure as was used on the first panel. When all four edges of the second floor panel are properly shimmed, lock the two panels securely together. Using the same technique for leveling, check the levelness of the two sections in all directions by placing the level across the joint at several points and, again, check the levelness of the floor panels in the direction of the panel joint.



Refer to the construction diagram and install the remainder of the floor panels using the same procedure as was used for the first and second floor panels. When all the floor panels are installed and leveled perfectly, check the section latches for full and complete locking.



Trim excess vapor barrier.



WALK-IN INSTALLATION

SITE SELECTION, BASE PREPARATION

WALK-IN COOLER WITHOUT A FLOOR INSTALLED ON 1" VINYL SCREED

IMPORTANT! Do not attempt to construct a floorless walk-in FREEZER on an existing building floor that has not been specially prepared and adequately insulated for below freezing storage temperatures. **Note: All thermal breaks in floor slab must be exposed, including the partition wall.**

To install a vinyl screed assembly on an existing floor, proceed as follows:

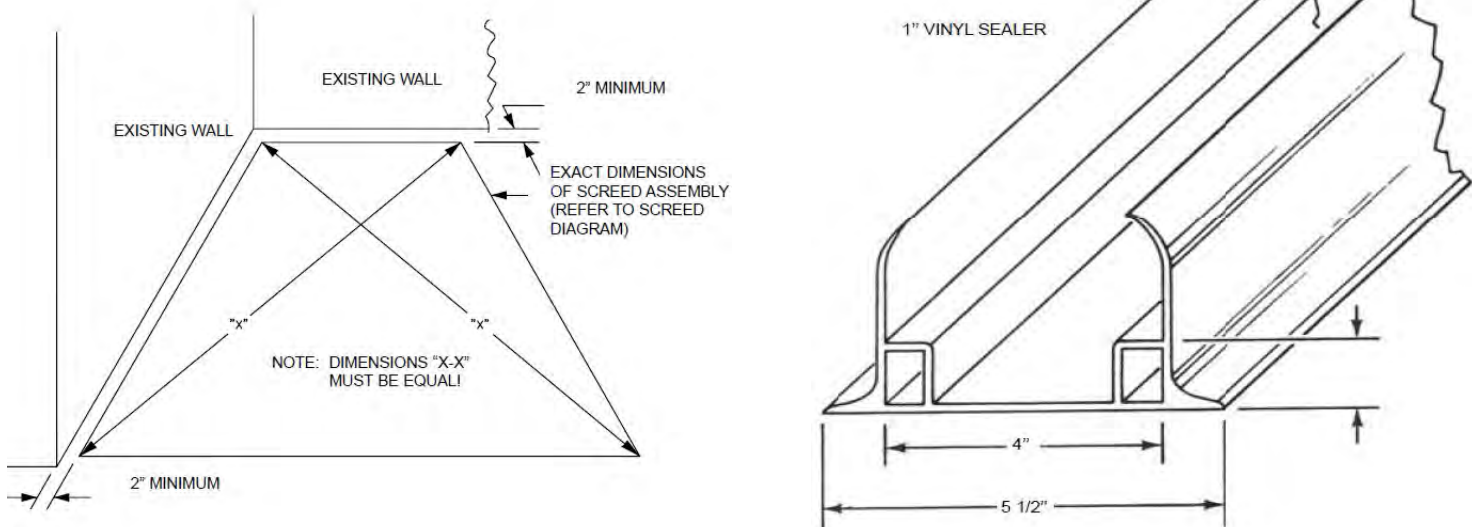
Locate the screed (floor sealer) diagram, which was packed in the hardware box and, using it as a guide, draw an outline of the outside dimensions of the installed screed directly onto the building floor where the walk-in will be situated. These dimensions will be 1 1/2" larger than the overall dimensions of the walk-in in both directions.

If the walk-in is to be installed next to an existing building wall(s), make sure that a MINIMUM OF 2" REMAINS BETWEEN THE DRAWN OUTLINE AND THE BUILDING WALL(S) to allow for irregularities of the building wall (s) and to permit a free flow of air between the two surfaces. CAREFULLY CHECK FOR SQUARENESS by confirming that the two dimensions between opposite corners are equal (Figure 1).

One of the most important procedures that will be encountered in the base preparation is LEVELING THE SCREED. It must be PERFECTLY LEVEL! If it is not, the wall panels will follow the irregularities of the building floor which will directly affect subsequent procedures such as panel latching, panel gasket seal, ceiling panel assembly and others.

After the outline of the screed assembly is completed, locate the highest point within the outline on the floor where the screed will be installed. Screed sections are 5 1/2" wide. A transit or surveyor's level is an ideal instrument for this purpose. Mark the highest point on the floor (Figure 2) and, referring to the screed diagram, identify and locate the appropriate screed section and position it directly over the highest point.

Figure 1



WALK-IN INSTALLATION

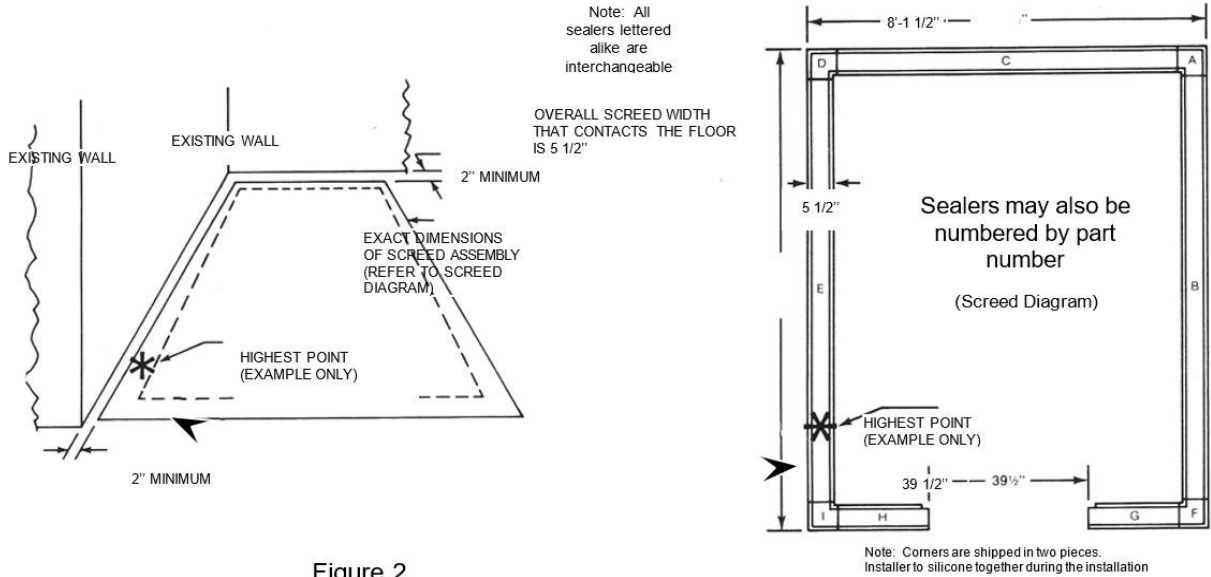


Figure 2

After the first screed section is positioned, it must be **LEVELED PERFECTLY** not only over its length but, across its width, as well. To achieve this, shimming material will most likely be required. Vinyl floor tile is ideally suited for this purpose. However, other materials that are resistant to rotting or compression are acceptable. **IMPORTANT!** EVERY SECTION OF SCREED MUST BE SUPPORTED AT LEAST EVERY 12" BY EITHER THE BUILDING FLOOR OR BY SHIMMING (Figure 3).

Assuming that the first screed section has been perfectly leveled, refer to the screed diagram and select an adjoining screed section and level it perfectly in both directions, shimming wherever necessary. Continue leveling the remainder of the screed sections until the entire assembly is in position. Check the assembly to make sure that the outer edges are located exactly on the drawn outline on the building floor.

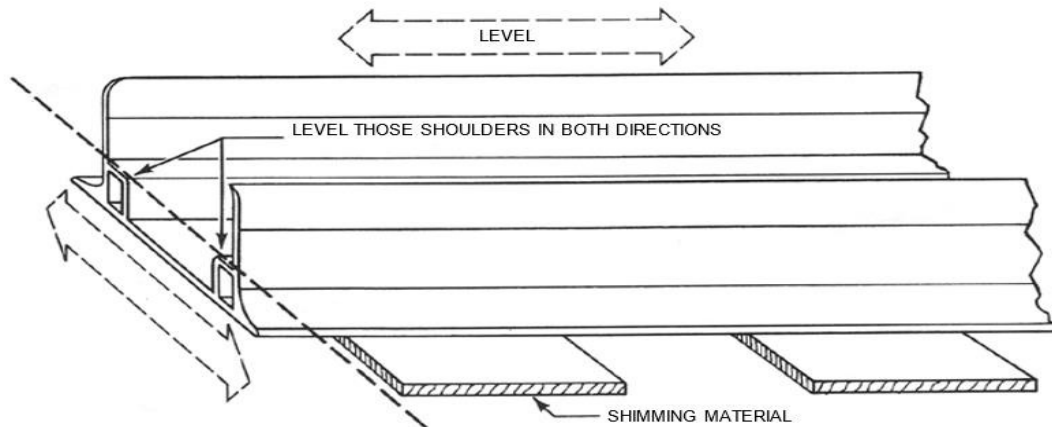


Figure 3

WALK-IN INSTALLATION

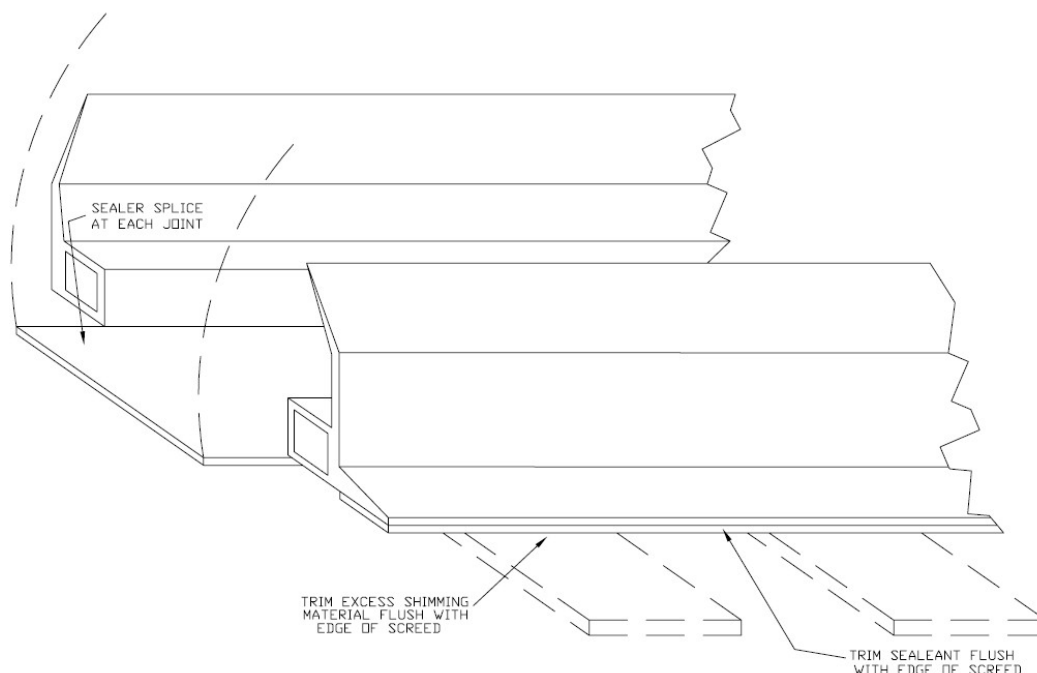
When the entire screed assembly is leveled and supported by shimming, as required, CAREFULLY AND WITHOUT DISTURBING THE SHIMMING MATERIAL, lift the screed sections, tip them upside-down and apply a heavy bead of construction sealant to the bottom of the screed section along both of the edges that contact the building floor surface. The diameter of the sealant bead should be larger than the thickest shimming material to ensure a complete, air-tight seal along the entire length of the screed (Figure 4). NSF approved sealant is provided and will be found in the hardware box.

Immediately after applying the construction sealant to a screed section, replace the screed section to its original location on the building floor WITHOUT DISTURBING THE SHIMMING MATERIAL and place a sealer splice every joint in the screed assembly (Figure 4). Since the sealer splice is intended to keep adjacent screed sections in alignment, approximately one-half of the sealer splice should lap each section. It need not be fastened in place (Figure 4). **NOTE: Seal all screed joints with sealant.** Make a final check for squareness, levelness and whether the screed assembly is located properly with respect to the drawn outline on the building floor.

Follow by securing the screed assembly to the building floor with fasteners that are appropriate for the building floor. These fasteners are not provided and must be obtained by others.

Fasteners should be applied down the center line of the inside of the screed at intervals of approximately 36"; however, where shimming is used, apply the fasteners through the shimming material, NOT BETWEEN the shimming. When the entire assembly is secured in position, trim away all excess construction sealant and shimming on both edges of the screed. Trim sealant flush with the edge of the screed and touch up any areas where the construction sealant is not making a perfect seal (Figure 4).

NOTE: If the building floor was specially prepared for the installation and no low or high points are detectable, it is possible that no shimming will be necessary. It will then only be necessary to apply construction sealant to the bottom of the screed and secure the screed directly to the building floor. The entire procedure, as described, must be followed explicitly, however, except for the details that pertain to the shimming.



WALK-IN INSTALLATION

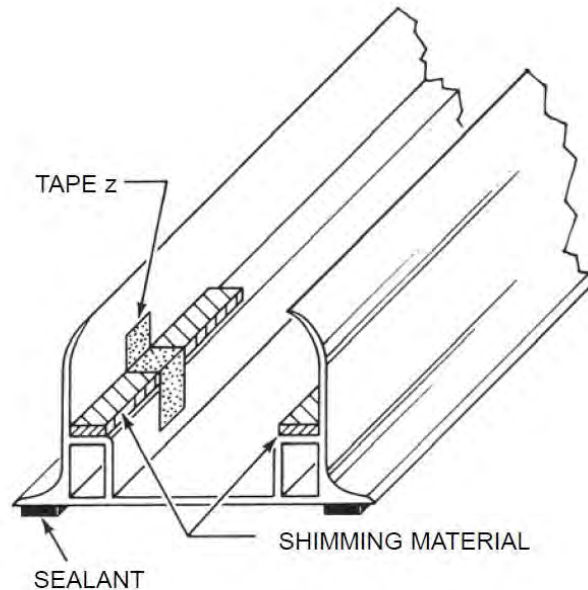


Figure 5

ALTERNATE SHIMMING METHOD FOR 1" VINYL SCREED

If the surface that the vinyl screed will occupy is level, except for an occasional low point, the screed may be secured directly to the building floor and compensation for the low points may be achieved by shimming the support shoulders on the inside of the screed.

When employing this method, the low points should be marked on the building floor in the vicinity of the drawn outline for reference. After the screed has been sealed and secured, leveling may proceed with special attention being focused in the areas marked as being low points.

Vinyl floor tile is often chosen as shimming material and strips (5/8" wide maximum) are cut and placed on top the supporting shoulders of the screed to provide a level surface for the wall sections to rest upon. Strips of tape should be applied to hold the shimming material in place (Figure 5).

IMPORTANT! Shimming the support shoulders on the inside of the screed is ideally suited for minor irregularities on the building floor and has the advantage of complete screed-to-floor contact over the entire perimeter of the assembly. **IT IS NOT RECOMMENDED, HOWEVER, FOR EXTREMELY IRREGULAR BUILDING FLOORS.** Excessively thick shimming material on the support shoulders may elevate the wall panels to a point where the effectiveness of the uppermost screed sealing flanges would be compromised. Shimming thickness of more than 3/4" should be avoided! If shimming the support shoulders of the screed is selected, the entire procedure, as described, must be followed explicitly to ensure squareness and levelness over the entire screed assembly.

WALK-IN INSTALLATION

SITE SELECTION, BASE PREPARATION

WALK-IN COOLER OR FREEZER WITHOUT A FLOOR INSTALLED ON FOAMED SEALERS

IMPORTANT! Do not attempt to erect a floorless walk-in FREEZER on an existing building floor that has not been specially prepared and adequately insulated for below freezing storage temperatures. **Note: All thermal breaks in floor slab must be exposed, including the partition wall.** To install a foamed sealer (screed) assembly on an existing floor, or on a properly prepared floor for freezers, proceed as follows:

Locate the floor sealer (screed) diagram that was packed in the hardware box and, using it as a guide, draw a properly dimensioned outline of the sealer (screed) assembly directly onto the building floor precisely where the walk-in will be situated. These lines will be the same dimensions as the dimensions of the walk-in in both directions. If the walk-in is to be installed next to an existing building wall(s), make sure that a **MINIMUM OF 2" REMAINS BETWEEN THE DRAWN OUTLINE AND THE BUILDING WALL(S)**. This space will allow for irregularities in the building wall(s) and will permit a free flow of air between the two surfaces. **CAREFULLY CHECK FOR SQUARENESS** by confirming that the dimensions between opposite corners are equal (Figure 1).

Since the foamed sealer (screed) is retained in position by a 3/8" thick plywood sealer guide, which will be secured to the building floor, it is imperative that the sealer guide be accurately located, as well, on the building floor. Refer to the sealer guide diagram which was also packed in the hardware box. On the diagram, you will notice that the sealer guide is located 7/8" **INSIDE** the drawn outline which represents the outside dimensions of the sealer (screed) assembly. Further, Fig. 1 illustrates that the sealer guide is 2 1/4" wide centered beneath a 4" wide sealer leaving a border of 7/8" along each edge. Draw another outline of the outside dimensions of the sealer guide directly onto the floor. There should be exactly 7/8" between the new sealer guide outline and the previously drawn sealer (screed) outline (Figure 2, on next page).

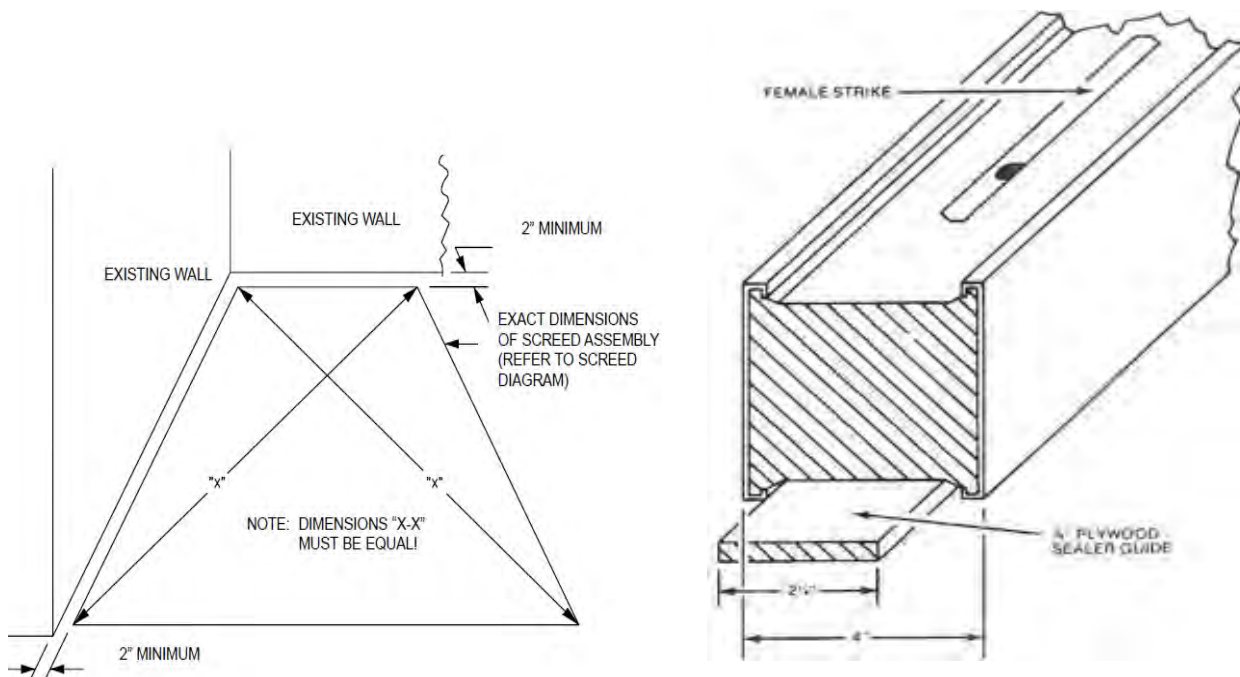


Figure 1

WALK-IN INSTALLATION

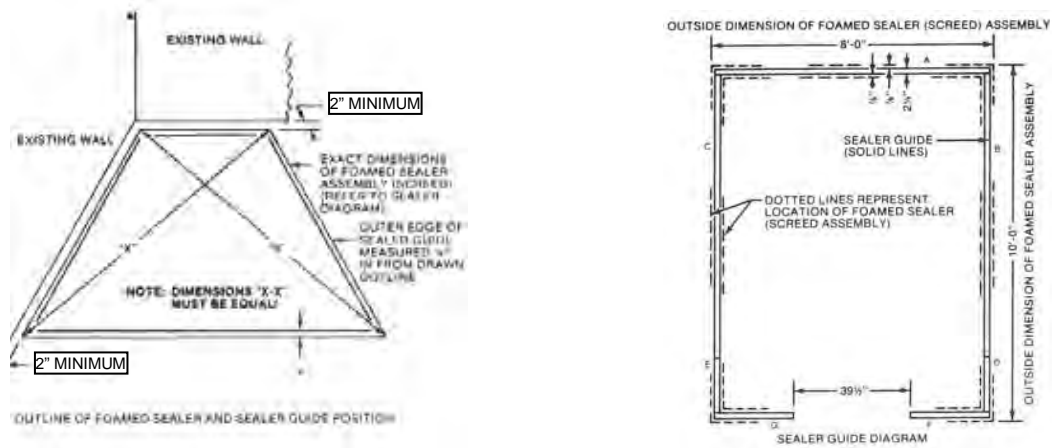


Figure 2

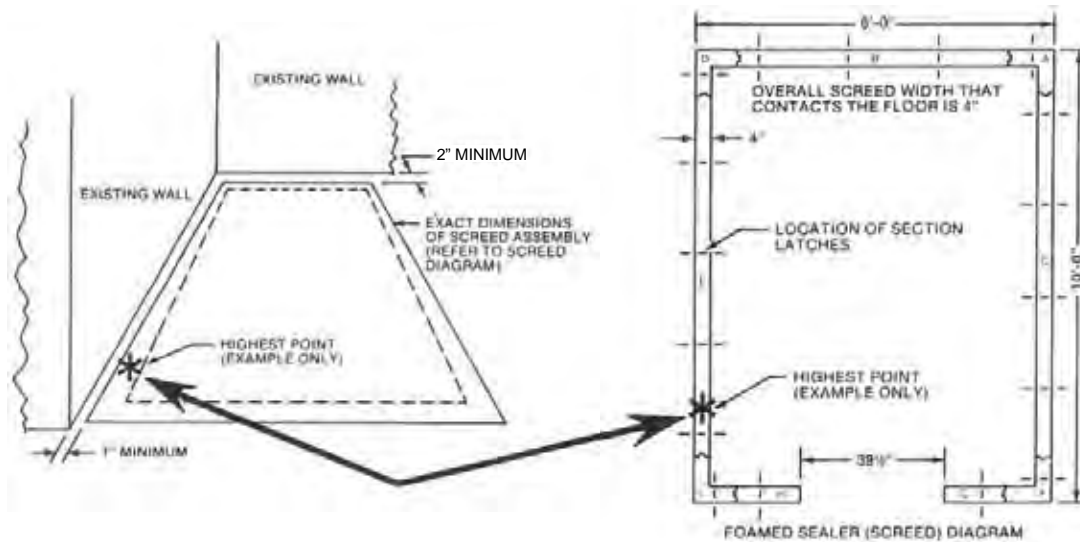


Figure 3

One of the most important procedures that will be encountered in the base preparation is **LEVELING THE SEALER (SCREED)**. It must be **PERFECTLY LEVEL!** If it is not, the wall panels will follow the irregularities of the building floor which will directly affect subsequent procedures such as panel latching, panel gasket seal, ceiling panel assembly and other.

After the outline of the sealer (screed) and the sealer guide is completed, as shown in Figure 2, locate the highest point within the outline on the floor where the screed (sealer) will be installed. (Sealer sections are 4" wide). A transit or surveyor's level is an ideal instrument for this purpose. Mark the highest point on the floor as illustrated on Figure 3.

WALK-IN INSTALLATION

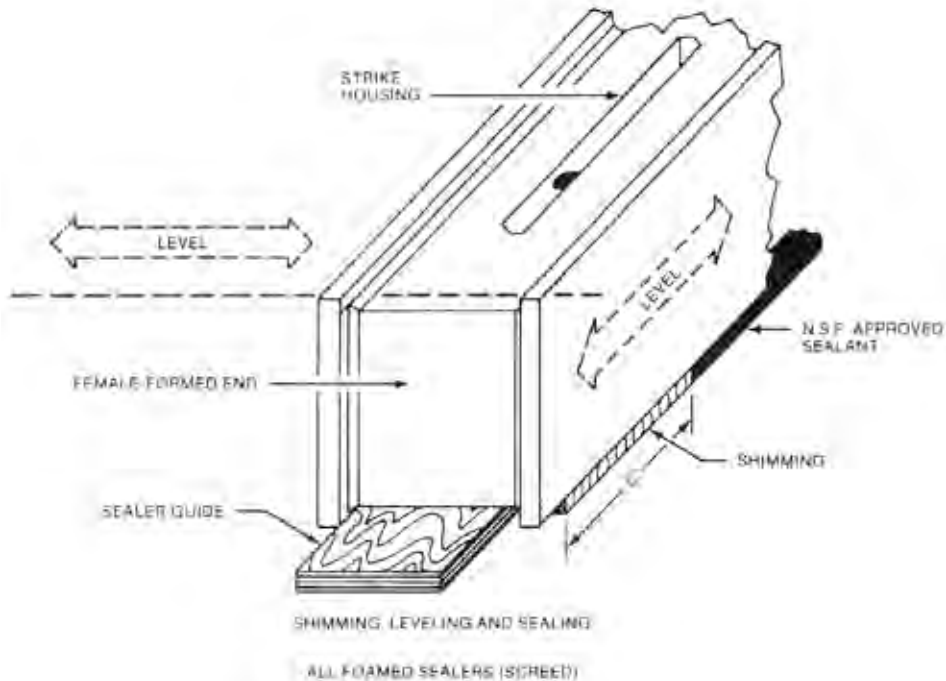


Figure 4

SEALER GUIDE INSTALLATION

Locate the SEALER GUIDES. They are bundled together and packed along with the walk-in corner or wall panels and are labeled accordingly. Sealer guides are strips of 3/8" plywood 2-1/4" wide and 8' long as shown in Fig. 1.

Refer to the SEALER GUIDE DIAGRAM. Position them according to the diagram and cut the guides to fit.

Each sealer guide, when positioned properly, will have its outer edge precisely over the INSIDE OUTLINE drawn on the building floor, Figure 2, and its outer edge will be exactly 7/8" from the outline which represents the foamed sealer outer edge. The quality of workmanship performed in locating and securing the sealer guides will be transmitted directly to the location of the foamed sealers (screeds) and, subsequently, to the overall construction of the complete walk-in. BE EXACT! Refer to Figure 1 and Figure 2.

When all sealer guides are in position, make a final CHECK FOR SQUARENESS and secure them to the building floor with fasteners that are appropriate for the surface. **NOTE:** This can either be a mechanical fastener or construction grade adhesive. If the sealer guide is positioned over a polystyrene or polyurethane thermal breaker, a compatible construction adhesive may be used.

FOAMED SEALER (Screed) INSTALLATION

Refer to the FOAMED SEALER DIAGRAM. Identify and locate the sealer section that will be positioned directly over the highest point which was determined earlier and marked on the building floor (Figure 3).

NOTE: All foamed sealers are male formed on one end and female formed on the opposite end. The configuration of the ends is clearly indicated on the diagram. Also, make certain that the strike housing portion of the section latches is visible on the upper edge of the sealer when it is in position (see Figure 1 and Figure 2).

WALK-IN INSTALLATION

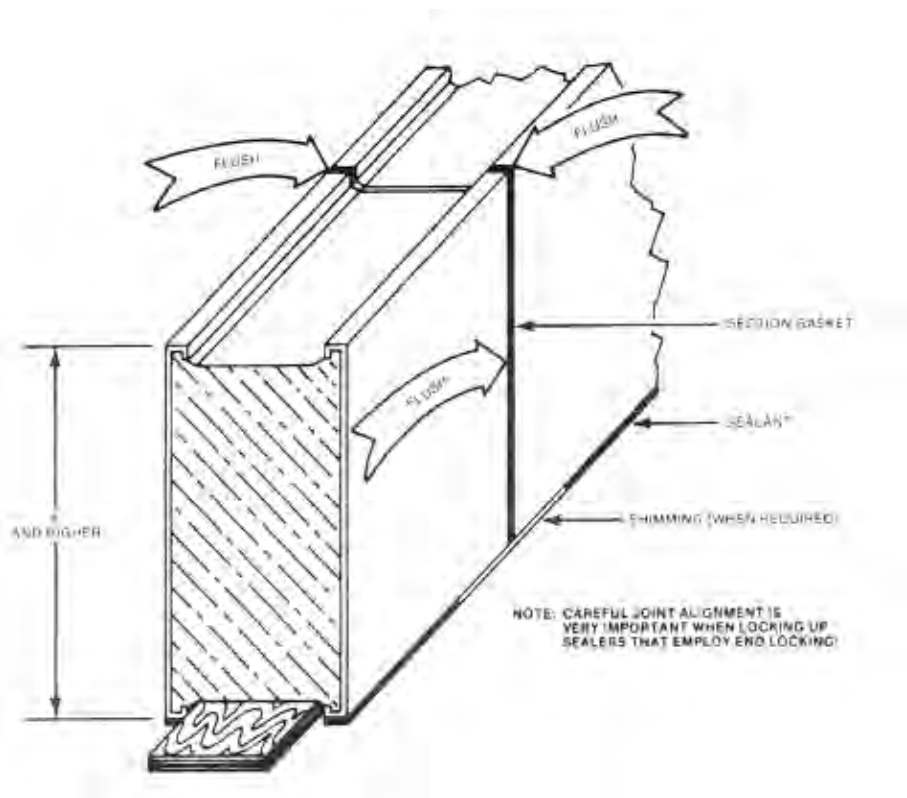


Figure 5

After the first sealer (screed) section is positioned over the sealer guide and over the highest point, it must be **LEVELED PERFECTLY** not only over its length but, across its width, as well. To achieve this, shimming material will probably be required. Vinyl floor tile cut in strips 7/8" wide by 6" long make ideal shimming strips that can be placed beneath the sealer, wherever necessary, to achieve levelness.

IMPORTANT: EVERY SECTION OF SEALER (SCREED) MUST BE SUPPORTED AT LEAST EVERY 24" BY EITHER THE BUILDING FLOOR OR BY SHIMMING. Avoid using shimming strips less than 6" long whenever possible (see Figure 4).

Assuming that the first sealer (screed) section has been perfectly leveled, refer to the sealer diagram and select an adjoining sealer section and level it perfectly in both directions, shimming wherever necessary. NOTE: Sealer (screed) sections 8" high or more employ section latches for end-to-end locking. CAREFULLY flush the upper edges and the inner or outer surfaces of adjoining sealer sections while locking them together (Figure 5). Continue leveling the remainder of the sealer sections until the entire assembly is in position.

When the entire sealer assembly is leveled, apply NSF approved sealant to achieve a vapor seal between the bottom edge of the sealer and the building floor. This sealant is provided and is packed in the hardware box. The sealant must be applied to the inner and outer surfaces of the sealer (screed) assembly. Make certain that the sealant produces a complete, air-tight seal, without gaps, and that special care is taken to seal the shimming material appropriately.

After the sealant has had an opportunity to set up, trim away all excess material flush with the edges of the sealer (screed) assembly and touch up any areas where the sealant is not making a perfect seal (Figure 5.).

WALK-IN INSTALLATION

WALK-IN INSTALLATION WALL AND CEILING PANEL CONSTRUCTION

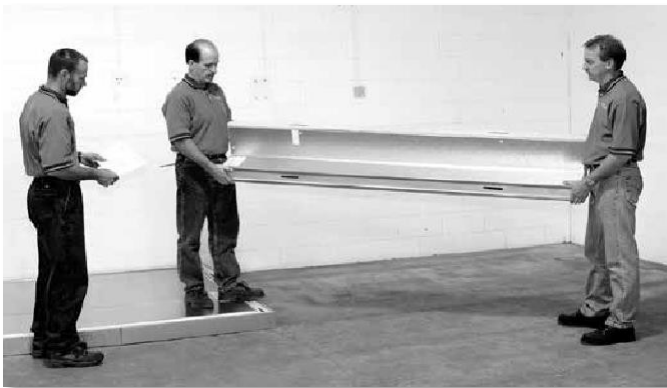
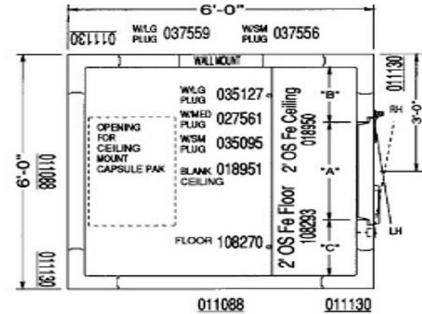
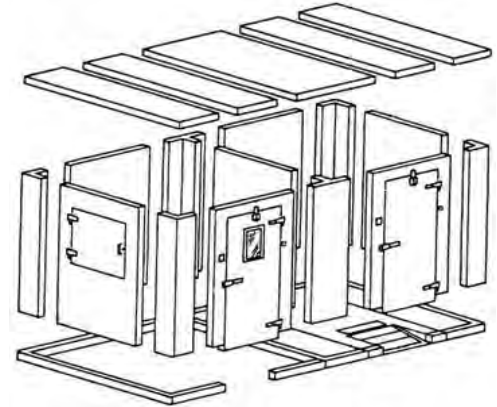
The installation instructions that follow apply to any walk-in cooler or freezer where the wall panels are supported either by foamed walk-in floor panels or by a floor sealer (screed) assembly which has been accurately located and properly leveled. **NOTE:** The procedure for constructing wall and ceiling panels will be identical in all cases. **NOTE:** The walls do not lock to vinyl sealers but will lock to foam sealers when used.

To aid in the construction process, the floor plan furnished with your walk-in has part numbers listed for each wall, corner, ceiling and floor section. Match the part number on the floor plan to the label on the interior of each panel to determine the current placement for each panel.

Notice, also, that the section latch access holes on the vertical edge of the panel are always on the interior of the panel.

Select the first panel to be installed, typically beginning with a CORNER PANEL. Notice that the panel is labeled "Top" along with a part number indicating that when the panel is in its proper position, the labeled end will be up.

Position the corner panel in the proper location on the walk-in floor or vinyl screed assembly and, IF THE WALK-IN HAS A FLOOR, flush the corner panel with the corner of the floor panel in both directions and lock it securely to the floor panel.



WALK-IN INSTALLATION

If the first corner panel is supported by a 1" vinyl sealer (screed), seek assistance to support the corner panel in a vertical position until succeeding wall panels are installed. Wall and corner panels do not lock to the vinyl sealer (screed).

Select the next panel as indicated on the floor plan and position it on the floor or sealer (screed) close enough to the first panel installed so that section latch engagement is possible.



Making sure that the two panels are perfectly aligned at the TOP EDGE and that the VERTICAL JOINT of the two panels are perfectly flush, turn the section latches on the vertical edge of the panel until they are completely engaged.

IMPORTANT! Confirm that the top edges of the adjoining panels are aligned perfectly.



Correct

If misalignment is encountered, merely lift the lowest panel edge while locking to achieve alignment and, when all latches are engaged, permit the locked panels to resume their normal position on the walk-in floor or sealer (screed).

DO NOT SHORT-CUT! TAKE ENOUGH TIME TO PROPERLY ALIGN ALL SECTIONS.



Misalignment

WALK-IN INSTALLATION

As each wall panel or corner panel is constructed and locked in an adjoining panel along the vertical joint, engage the section latches to the floor panels by turning the hex locking wrench **ONLY ABOUT 1/4 TURN CLOCKWISE**.



Make certain that the wall or corner panel is perfectly aligned with the floor panel or foamed sealer before engaging the section latches.



Continue constructing panels according to the part numbers shown on the floor plan, and follow, explicitly, the technique described for panel alignment.

CEILING PANELS will be constructed at specific intervals to facilitate the installation. The intermittent ceiling panel construction is scheduled to allow the ceiling panels to serve as supporting ties between opposite walls as the installation progresses.

CAUTION! DO NOT SLIDE CEILING PANELS INTO POSITION! To avoid gasket damage, elevate the ceiling section clear of the wall section while bringing it into position.

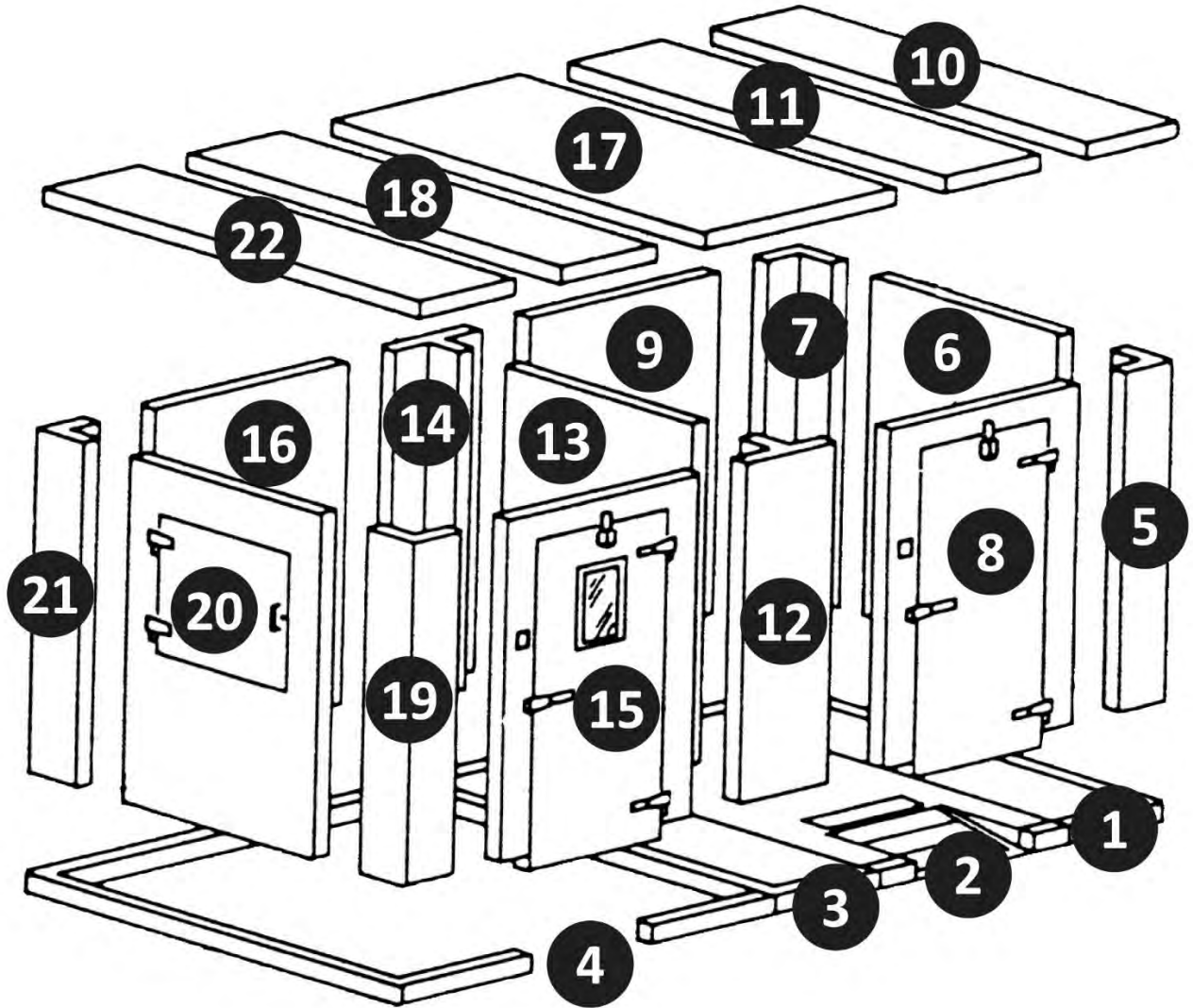
When adjoining ceiling panels are in position, adjust the exterior edges so that they are perfectly flush with one another and with the wall panels directly below them. Lock the ceiling panels securely to each other. **DO NOT LOCK** ceiling panels to wall panels at this time.

NOTE: If local conditions, such as existing building walls, make it difficult to align ceiling panels with each other from the exterior, locate a step ladder near the interior walls to visually inspect the alignment and adjust as necessary.



WALK-IN INSTALLATION

PANEL INSTALLATION ORDER



WALK-IN INSTALLATION

DOOR/DOOR SECTION

A standard door/door section consists basically of a single wall panel that contains an entrance door and several accessories. The electrical components contained in this panel were prewired at the factory. They include the anti-condensate door opening heater, the pilot light, and switch and a vapor proof interior light.

The door was factory installed on the door panel framing fixture, checked for squareness and for proper operation under controlled conditions.

CAUTION! While installing the door/door section, extreme care must be taken to avoid twisting the panel or handling the assembly in such a manner that it is not square when it is installed. The self-closing feature, door closure operation and a perfect gasket seal all depend a great deal upon a SQUARE and PLUMB door/door section.

After all the wall and door panels have been constructed and locked securely together and all the ceiling panels have been positioned above the wall panels, the ceiling panels have been locked securely to each other, re-check the position of the ceiling panels with respect to the wall panels.

Now lock all ceiling panels securely to the wall panels.

Recheck the position of the wall panels with respect to the floor panels and lock them securely together.

NOTE: When a 1" vinyl floor sealer (screed) is used, no attachment to the wall panels is required.



**Completed
Walk-in with floor**



**Completed Walk-in floorless- shown
with vinyl floor sealer**

WALK-IN INSTALLATION

NOTE: If, for some reason, conditions on the site prohibit the installation of the walls and ceilings in the recommended order, install the wall and ceiling panels in a logical sequence that will permit accessibility for installation of the last panel. Remember to schedule ceiling panel installation at the proper intervals to serve as supporting ties between installed wall panels.

Locate the plug buttons which were packed in the hardware bag and, after checking to make sure that the hex wrench comes to a full stop on each section latch, insert a plug button into every latch access hole.



SLAM BRACES

The door/door section frame on most floorless walk-ins will be fitted with slam braces, one on each of the interior, vertical frame members. These braces will require attachment to the building floor.

Their purpose is to positively locate the lower extremities of the door frames and prevent any movement that might occur at the point where the door frame rests on the floor sealer (screed). When 1" vinyl floor sealers are furnished, they will be notched to accommodate the slam brace location.



The slotted holes in the vertical leg of the slam brace permit adjustment in either direction to allow the slam brace to contact the building floor properly. Fasteners suitable for securing the slam braces to a concrete building floor are packed in a bag and attached to one of the slam braces. For other types of building floors, the appropriate fastener must be provided by others.

IMPORTANT! Make sure that the door/door section is PERFECTLY PLUMB before attaching the braces to the building floor. The holes in the slam brace for attachment to the building floor are intentionally round so that no shifting can occur after they are secured. Make sure the slam braces have been secured to the building floor.



The recommended hole size for PARABOLT ANCHOR is 3/8" X 2-1/4"



Install anchor



Attach slam brace with fastener provided

WALK-IN INSTALLATION

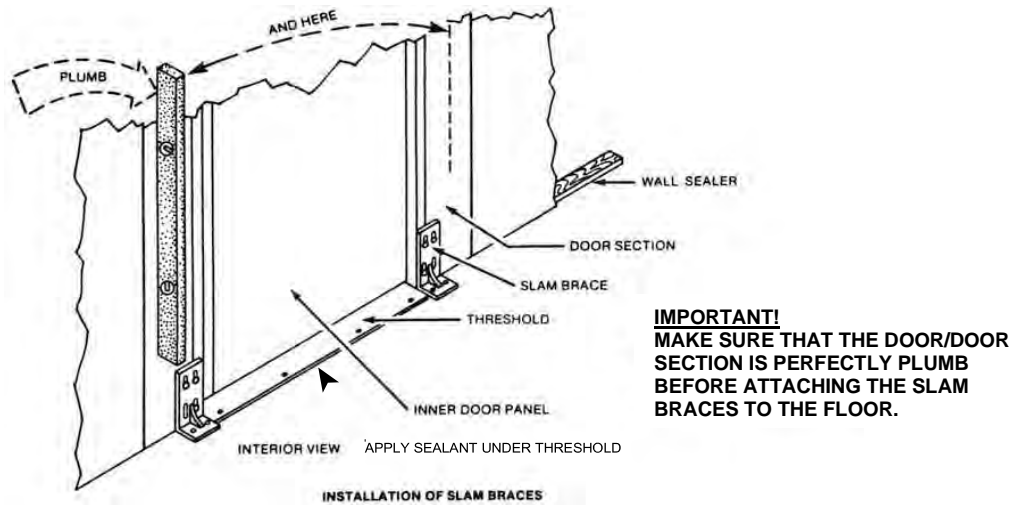


Figure 11

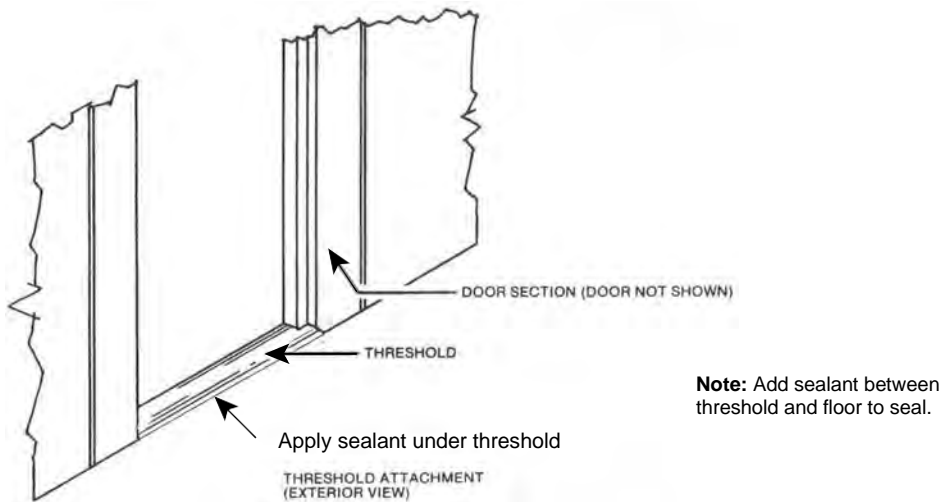


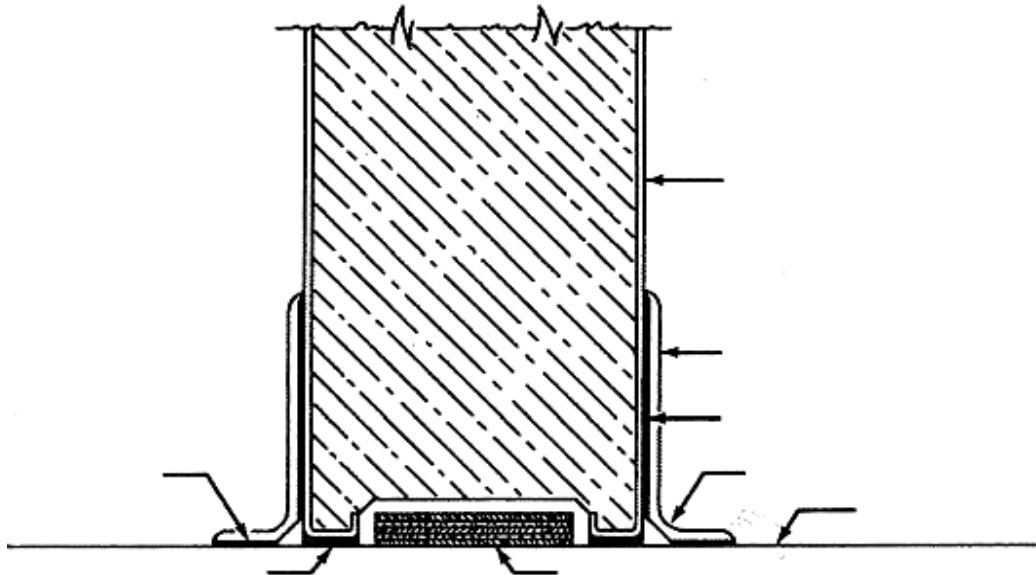
Figure 12

THRESHOLD ATTACHMENT

The threshold was attached at the factory to the lower portion of the door section and it is positioned in such a manner that no adjustment is required. It must, however, be attached to the building floor to complete the installation.

IMPORTANT! Make sure that the slam braces are securely fastened to the door section and to the building floor before attaching the threshold to the building floor. Both edges of the threshold should be attached with fasteners that are appropriate for the building floor and, since the floor surfaces vary so greatly in composition, no fasteners are provided and should be obtained by others (Figure 12).

WALK-IN INSTALLATION



COVE MOLDING APPLIED TO A WALL PANEL WITH FEMALE-FORMED BOTTOM END

Figure 13

SEALING THE JUNCTURE OF WALLS TO BUILDING FLOOR

Apply a generous amount of NSF approved sealant to achieve a vapor seal between the bottom edge of all wall, corner, door and partition panels and the building floor. The sealant must be applied to both inner and outer edges of all perimeter walls and to both edges of partition walls where they meet the building floor. Make certain that the sealant produces a continuous, air-tight seal, without gaps, and that special care is taken to seal around the shimming material.

After the sealant has had an opportunity to set up, trim away all excess sealant flush with the edges of the walls. Touch up any areas where the sealant is not making a perfect seal (Figure 8).

COVE MOLDING

To comply with the requirements of Standard No. 7, National Sanitation Foundation, a cove molding with a minimum radius of 1/4" must be applied to cover the juncture of the walk-in walls and the building floor. For with floor models cove molding is required on exterior walls only.

Cove molding and adhesive for application are not normally provided. They are readily available at most building materials suppliers.

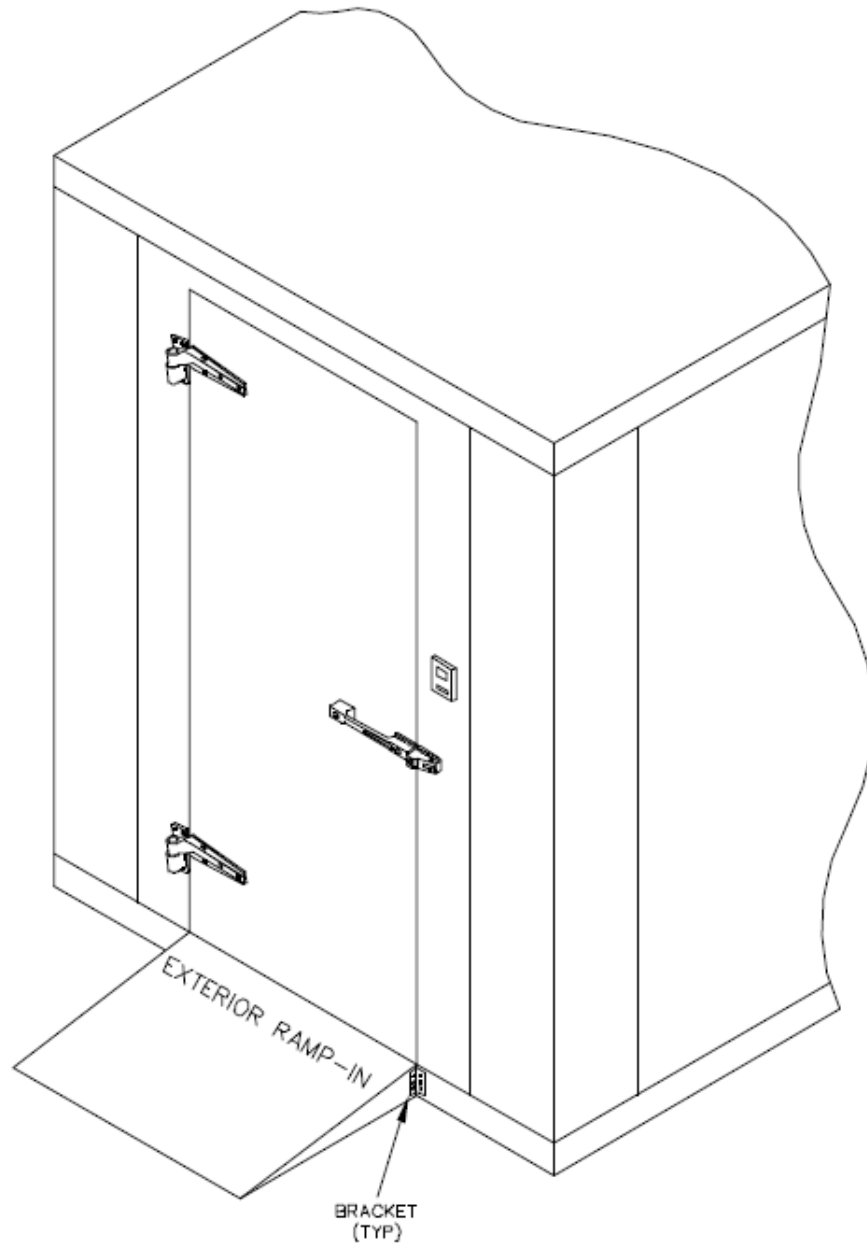
Before applying cove molding, make final inspection of the area that will be covered with the molding to make sure that the sealant is intact and making perfect vapor seal. If not, add sealant as required. Read and follow the instructions prepared by the manufacturer of the cove molding and the adhesive before proceeding with the installation (Figure 13).

If tile and grout are employed as floor material and, if base tile is intended to produce the cove required, make sure that the inside radius of the base tile is at least 1/4".

WALK-IN INSTALLATION

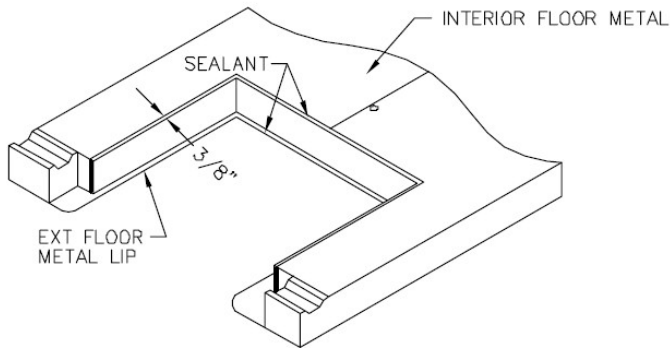
EXTERIOR RAMP INSTALLATION INSTRUCTIONS

Center ramp in front of door opening. Then using the 1-1/2" x 1-1/2" x 3-1/2" angle and screws provided, attach the ramp to the walk-in, as in the illustration below.



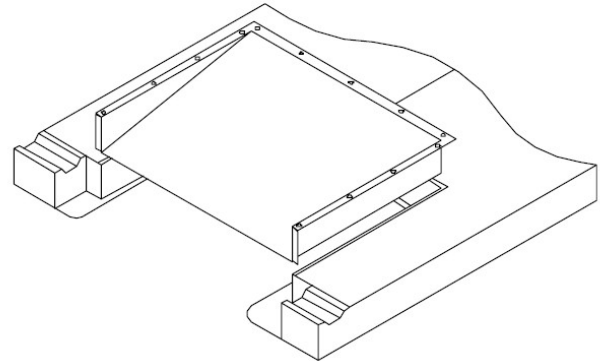
WALK-IN INSTALLATION

INTERIOR RAMP INSTALLATION INSTRUCTIONS



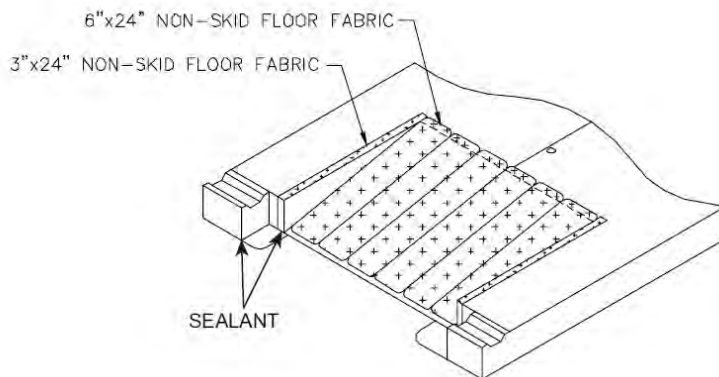
Step 1

After floor sections are in place and fully locked together, apply approximately 1/8" bead of sealant to the interior metal, 3/8" in from the ramp cut out. Also apply approximately 1/8" bead of sealant to the center of the exterior metal lip.



Step 2

Place ramp into position by lining up the pre-drilled holes in the ramp with those pre-drilled in the interior floor then secure the ramp into the floor with the #8 x 1/2" screws provided.



Step 3

Install the non-skid floor fabric. 6" x 24" non-skid tape strips are applied to cover the ramp and back seam of the ramp to the floor panels. 3" x 24" non-skid tape strips are applied to cover the side seams of the ramp to the floor panels.

Apply sealant where the door section meets the interior and exterior of the floor panel and ramp. Also, apply sealant under the door threshold.

WALK-IN INSTALLATION

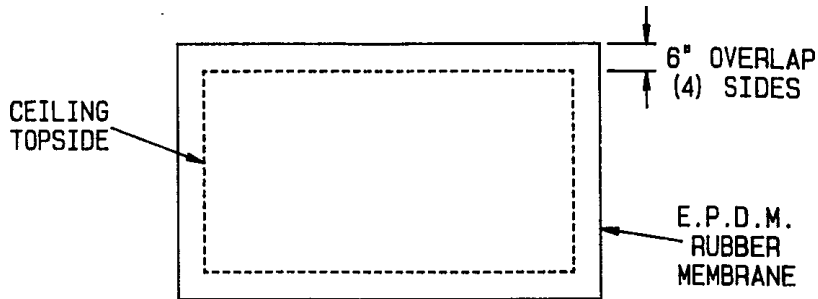
MEMBRANE ROOF INSTALLATION INSTRUCTIONS

IMPORTANT NOTE:

IF THIS WALK-IN INCLUDES CEILING MOUNT CAPSULE-PAK™ REFRIGERATION SYSTEMS, PLEASE REFER TO CAPSULE-PAK™ REFRIGERATION INSTALLATION MANUAL. ALSO, BE SURE THE INTERIOR COIL IS HUNG CORRECTLY PER THE REFRIGERATION MANUAL INSTRUCTIONS BEFORE INSTALLING THE MEMBRANE.

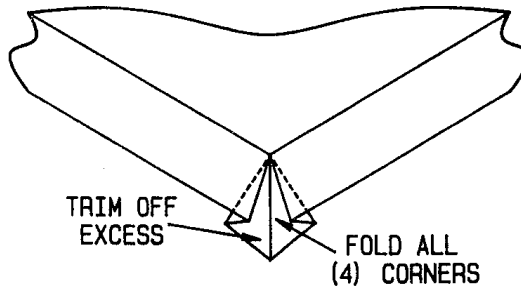
Step #1

After walk-in is completely assembled, lay E.P.D.M. over ceiling topside and trim to a 6" overlap on all four sides.



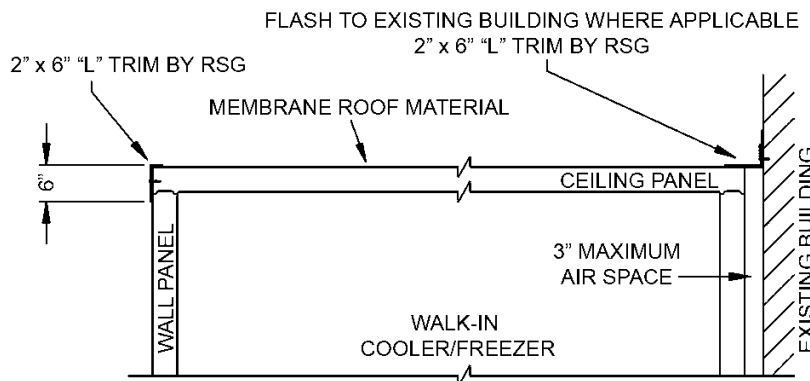
Step #2

Fold all four corners as shown below.



Step #3

Attach trim, refrigeration hood and door hood with sheet metal screws provided. On some models the trim may have to be cut to fit.



Step #4

Trim off all excess rubber membrane from under aluminum trim and hoods with utility knife. Be careful not to scratch the surface of the panels with the knife.

WALK-IN INSTALLATION

Electrical Connections

WALK-IN COOLER OR FREEZER WITH A SINGLE INTERIOR LIGHT MOUNTED ON THE DOOR SECTION

CAUTION: ELECTRICAL CONNECTIONS TO THE WALK-IN MUST COMPLY WITH APPLICABLE PORTIONS OF THE NATIONAL ELECTRICAL CODE AND ANY OTHER ELECTRICAL CODES THAT MAY HAVE JURISDICTION OVER THE INSTALLATION!

A dedicated electrical power supply circuit for the walk-in is recommended.

WARNING! DISCONNECT THE SELECTED POWER SUPPLY CIRCUIT AND ATTACH A TAG TO THE DISCONNECT SWITCH INDICATING THAT THE CIRCUIT MUST NOT BE ENERGIZED WHILE SOMEONE IS WORKING ON THE LINE.

WIRING

The cooler or freezer door panel contains several electrical components that were prewired at the factory. They include the anticondensation door opening heater, the pilot light/switch and LED interior light mounted on the door panel. **NOTE:**

It is the electrical contractor's responsibility to provide the necessary wiring, connections, conduit and fittings to complete the hook-up.

The junction box adjacent to the light fixture contains the electrical leads that are prewired to the electrical components in the door section. Make your electrical connections here.



Affixed to the interior of the door section is a label which describes the electrical characteristics and the energy consumption described in watts and amperes.

WALK-IN INSTALLATION

IMPORTANT! When all field wired connections are completed in the junction box located on top of the ceiling section, be sure to THOROUGHLY SEAL the conduit fitting through which the wiring projects into the junction box. The silicone sealant provided is well suited for this purpose. Failure to do so will permit moisture to form within the junction box and electrical fixture(s) and potentially cause a short.

POSITIONING THE THERMOMETER SENSING BULB

For convenient monitoring of the temperature of the storage compartment of this walk-in, a remote reading thermometer has been installed in the door section at about eye level. It is a flush panel mount with an LED readout.



For optimum accuracy, the sensing bulb must be exposed to the air that is being monitored. Make certain that the sensing bulb is not positioned near the interior light or any other heat producing device, nor should it be located where stored products shield the sensing bulb from the circulating air pattern within the walk-in. The long sensing lead is more than adequate to provide an ideal sensing bulb placement on the inside surface of the door section or an adjacent wall or corner panel. When the location is finalized, an adhesive backed, plastic clip is used to secure the sensing bulb to that surface.

To prevent possible damage to the door opening heater and/or to the protective globe over the interior light, DO NOT energize the door/door section until the interior temperature has been reduced to the normal operating range by refrigeration. A caution label is affixed to the door section near the vapor proof light to serve as a reminder.



PRESSURE RELIEF PORT

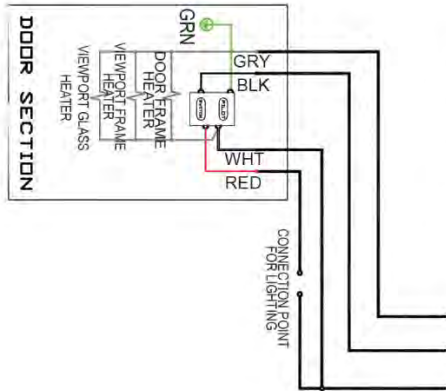
If a pressure relief port is supplied, connect it to a 115/60/1 VAC power supply.



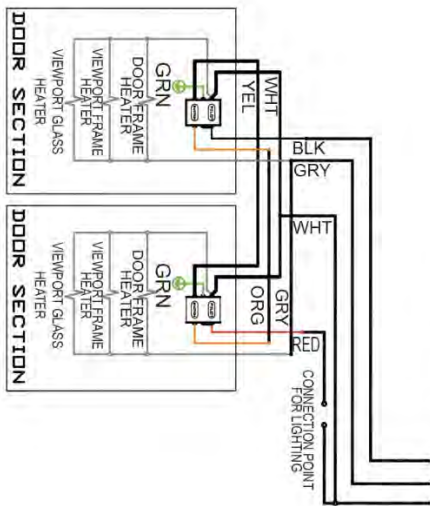
WIRING DIAGRAM: A wiring diagram showing the electrical components contained in the door/door section circuitry involved as shown. Always refer to the wiring diagram if it becomes necessary to replace any of the components.

SCIENTIFIC DOOR SECTION WIRING

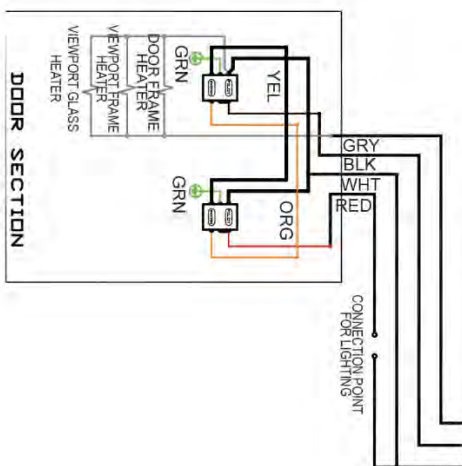
STANDARD SINGLE DOOR
(EXTERIOR SWITCH ONLY)



STANDARD 2 DOORS
(EXTERIOR SWITCHES ONLY)



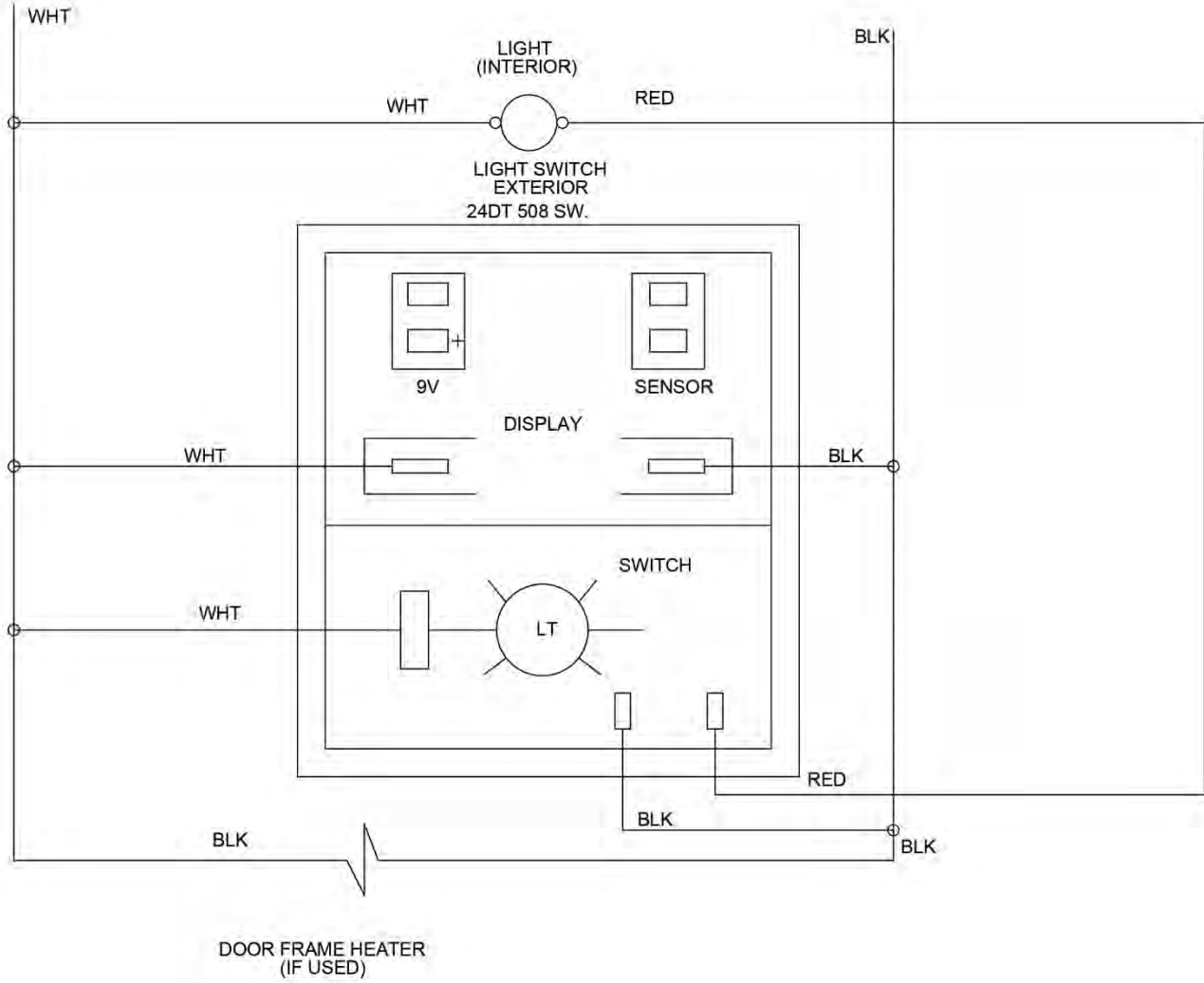
STANDARD SINGLE DOOR
W/ EXT. & INT. SWITCHES



WALK-IN INSTALLATION

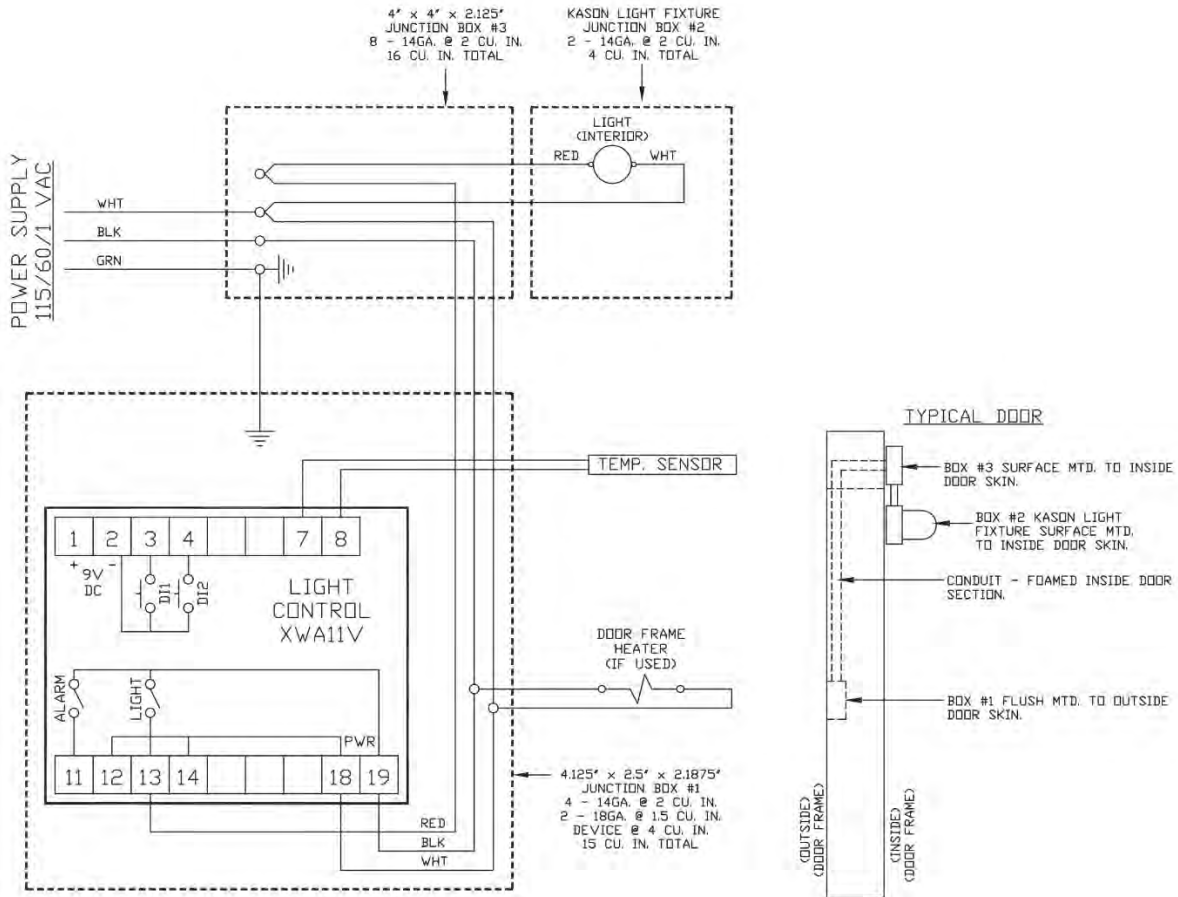
WALK-IN INSTALLATION

WALK-IN DOOR WITH NL508 LIGHT SWITCH WIRING DIAGRAM



WALK-IN INSTALLATION

WALK-IN DOOR WITH NL708 OR MBWA-1 LIGHT SWITCH WIRING DIAGRAM



WALK-IN MAINTENANCE

ADJUSTING DOOR HINGE ON NORLAKE WALK-INS

RSG 26", 30", & 36" wide walk-in doors are provided with an adjustable hinge. The adjustable hinge provides the ability to square a door within the door jamb.

If a door requires adjustment:

Open the door and you will find a small chrome plug button, on the edge of the door behind the upper hinge. Before any adjustment you must first slightly loosen the screws on the hinge strap on the door. Then pop off the chrome plug button. Now you can access the adjustment screw. You should only make minor adjustments and then close the door to view if the adjustment rectified the situation. When complete replace the chrome plug and re-tighten the screws on the hinge strap.

NOTE: On doors with a kick plate you may have a center (3rd) hinge. In this case there is a 2nd adjustable hinge. You will need to loosen the screws on both the top and center hinge(s) and make minor adjustments in both areas.

ADJUSTING DOOR HINGE ON MASTER-BILT WALK-INS

- Place shims under door (see figure 1 below).
- If adjusting the door, loosen but do not remove the screws that attach the hinge blade to the door (see figure 2 below for location of screws).
- If replacing hinges, remove the hinge blade screws.
- Shim under door as necessary to provide a 1/4" space between top of door and the door frame to ensure square fit (see figure 1).
- Tighten or reinstall screws attaching the hinge blade to the door.
- After adjusting or replacing the hinges, remove shims and check the space at the top of the door periodically for proper alignment.

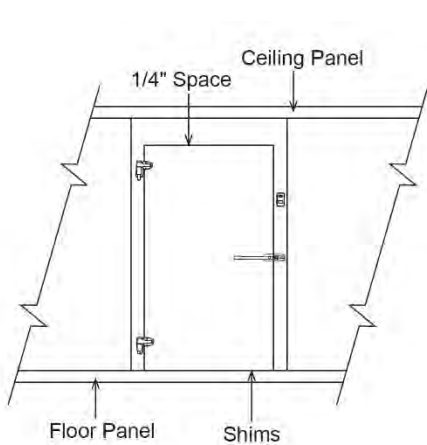


Figure 1

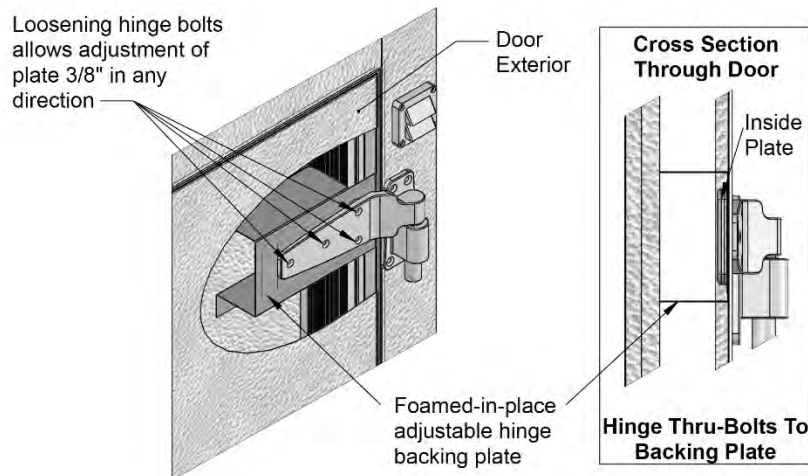


Figure 2

WALK-IN MAINTENANCE

REPLACEMENT OF THE MAGNETIC DOOR GASKET ASSEMBLY

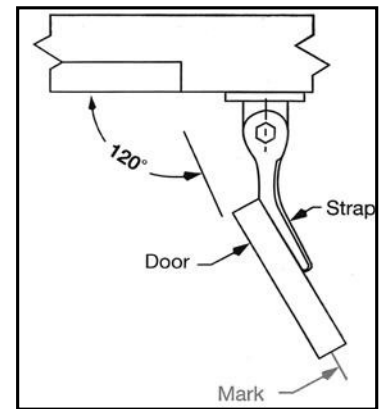
For your convenience and safety, it is advisable to remove the entire door assembly from the walk-in cooler or freezer before attempting to replace the door gasket. Prepare a smooth, clean surface on which the exterior surface of the door assembly can be placed without marring or scratching the finish.

DOOR ASSEMBLY REMOVAL - ALL FOAMED WALK-IN COOLER OR FREEZERS WITH CAM LIFT HINGES

NOTE: For doors equipped with a spring hinge, see the door removal instructions label on the interior of the door near the top hinge. When removing the door assembly from any walk-in, solicit the aid of an assistant during the door removal and replacement procedures.



1. Open door to dwell position, stopping at approximately 120°.
2. Put mark on floor to indicate position of door, see sketch.
3. Lift door off frame.
4. To replace door, line up door with mark on floor.
5. Place hex hole in hinge straps over hex rods and lower door.



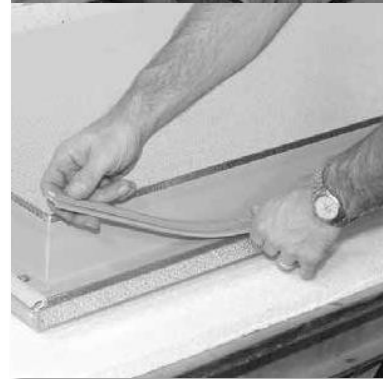
RESETTING SPRING HINGES

For the top spring-loaded hinge, you will need to reset the spring/hexagon pin. With the door installed, closed and locked, remove the screws from the spring-loaded hinge strap on the door only. You will need to hold the hinge strap against the door to prevent the strap from springing out towards you after the screws are removed. Remove the strap portion from the door by pulling upward. Hold the strap portion above the remainder of the hinge so that the strap is flat against the door. Bring the strap portion back down towards the door so that it meets the hexagon pin. You have now reset the spring. Insert the screws back into the strap and door. Note: Under normal conditions, the spring has no tension when the door is closed.

WALK-IN MAINTENANCE

DOOR GASKET REPLACEMENT

1. Place the door, exterior face down, gasket up, on a clean, smooth surface that will not mar or scratch the finish.
2. The magnetic door gasket consists of a cavity containing the magnetic strip, a bellows cavity that permits the gasket to conform to irregular surfaces, and a base section that features a dart-shaped projection that serves as the attachment means when it is forced into the slot in the door breaker.
3. To remove the original magnetic gasket assembly, grasp the gasket at one of the corners and pull the dart-shaped projection out of the retainer slot in the door breaker. Pull slowly and examine your progress to avoid tearing the projection which will then remain in the retainer slot.
4. Remove the entire gasket assembly and examine the retainer slot to make sure that it is free of gasket material or other debris.
5. Starting at one corner, insert the dart-shaped projection of the replacement gasket into the retainer slot and, using a rubber mallet, drive the dart into the retainer slot. HINT: Cover the face of the rubber mallet with masking tape to prevent smudging the gasket. Attach only about two inches (2") of the gasket in each direction away from the corner.
6. Use the same procedure as in Step 4 at the remaining corners and midway between the corners on the long sides of the door.
7. Using the rubber mallet, drive the dart into the retainer slot working from the center of each side toward the corners.
8. Lift the gasket base on the outer edge of the gasket and examine the gasket to determine if the dart is engaged by the retainer slot around the entire perimeter of the door, except where the sweep gasket is attached. If the dart has failed to engage in some areas, a small, slotted screwdriver blade can be used to tuck the dart into the slot.
9. Replace the door assembly. Simply reverse the instructions in the "Door Assembly Removal" section.



WALK-IN MAINTENANCE

SWEEP GASKET

The sweep gasket was factory installed and tested for proper operation before shipment. It features a unique cross-section designed to not only seal the gap between the bottom of the walk-in door and the threshold or building floor, but its off-set configuration closes an opening that is normally created at both ends of a conventional sweep gasket. It is attached to the lower edge of a walk-in door assembly with 3/4" pan head sheet metal screws and flat washers.

The sweep gasket extrusion consists of three distinct durometers (hardness) of vinyl extruded in a one-piece profile. The rigid area forms the attachment section. The flexible portion forms the sweep projection and provides the end seal and an extremely flexible lip that contacts the threshold or building floor, depending upon the installation.



OPERATION

As soon as the door opening sequence begins, the cam-lift hinges begin raising the door and the sweep gasket releases its contact with the threshold or building floor. At approximately 90° from the face of the walk-in, the door will reach the "hold open" position and will no longer rise by cam action. The sweep gasket will be lifted about 3/8" above the threshold or building floor.

When in the closed position, the extremely flexible lip of the sweep gasket should merely brush the threshold or building floor along its entire length.

ADJUSTING THE SWEEP GASKET

(Initial Installation)

With the door COMPLETELY CLOSED, the proper distance between the bottom of the rigid attachment area of the sweep gasket and the threshold or building floor MUST BE 1/2".

If this dimension is less than 1/2", the sweep gasket will wear prematurely and will produce excess friction for the door closer to act against during the door closing sequence.

If this dimension is greater than 1/2", the lower lip will not contact the threshold or building floor and the seal will be compromised, permitting air infiltration to occur in this area. Measure both ends of the sweep gasket with the door closed and adjust until exactly 1/2" is attained.

ADJUSTING THE SWEEP GASKET

(Normal Wear)

After considerable usage, if examination reveals that the lower lip of the sweep gasket has worn to a point where noticeable air infiltration is occurring, merely loosen the attachment screws and the lower the gasket only enough to permit the lower lip to brush the threshold or building floor while the DOOR IS IN THE CLOSED POSITION. Do not lower the gasket more than is necessary! Tighten the attachment screws and check the operation.

WALK-IN MAINTENANCE

DOOR CLOSER

The door closer was factory-installed and tested for proper operation before shipment. This small, but powerful device provides smooth and positive closing with only a minimum of attention. No lubrication of any kind is required. It is recommended that, at least once each month, the relationship of the hook and roller to each other be examined.

To become familiar with the various components of the closer, see photo of a closer properly engaged when the walk-in door is closed.

Since the door closer is non-adjustable, any adjustment that becomes necessary must be accomplished at the closer hook.

CAUTION: DO NOT ATTEMPT TO BEND THE HOOK as a means of adjustment. The hook is formed and tempered to resist deformation during normal use.

ROLLER IS TOO LOW: Loosen all hook bracket screws and add flat washer(s) between the bracket and the header where the **TOP** two screws will keep them in place. Tighten the screws and check the hook position.

ROLLER IS TOO HIGH: Loosen all hook bracket screws and add washer(s) between the bracket and the header where the **BOTTOM** two screws will keep them in place. Tighten the screws and check the hook position.

If, for any reason, the roller arm is accidentally bumped into a vertical position while the door is open, **IT MUST BE MANUALLY MOVED TO THE HORIZONTAL POSITION** before the door is closed. Failure to do so may cause serious damage to the door and/or the door closer.



A warning label is affixed to the door section as a reminder.



Correct with Door Open



Correct with Door Closed



Roller Too Low



Roller Too High

WALK-IN MAINTENANCE

ANTI-CONDENSATE DOOR OPENING HEATER

To prevent condensate from forming around the outer edges of the door opening, an anti-condensate heater has been installed around the perimeter of the door opening. This constant-energy, low wattage, electric heater wire elevates the temperature of the door jambs and threshold sufficiently to maintain these surfaces above the dewpoint temperature of the surrounding air preventing condensation.

Failure of the heater wire is usually suspected when condensation forms around the perimeter of the door opening. Moisture accumulates to a point where it causes a problem on the building floor, or when the condensate freezes around the door opening, as will be the case when a walk-in freezer is involved. There is no cause for alarm, however, if occasionally a few drops of moisture form during a period of EXCEPTIONALLY HIGH HUMIDITY.

NOTE: The heater wire is designed to provide the proper amount of heat to the surfaces around the door opening WHILE THE WALK-IN IS AT DESIGN TEMPERATURE! Premature failure will result if the heater wire is energized over an extended period while no refrigeration is occurring within the walk-in cooler or freezer.

HEATER WIRE REPLACEMENT

There are two potential frames that will need three pieces of trim and the threshold removed before you can gain access to the heater wire. The trim serves as the cover of the heater raceway at the side jambs and the head jamb. The threshold covers the heater channel in the bottom plate of the door section.



Option 1



Option 2

WALK-IN MAINTENANCE

THRESHOLD REMOVAL

WARNING! Make sure that the electric power to the walk-in is disconnected before attempting to replace door heater.

To remove the threshold, remove all visible screws that attach the threshold to the walk-in floor or to the building floor. Three screws attach the threshold to the bottom plate of the door section. When all screws are removed, pry the threshold up until it is free and remove it from the floor section.



STAINLESS STEEL TRIM REMOVAL

Use a screwdriver to remove four screws on each of the three trim pieces. Remove each trim piece in turn. This will expose the heater wire and hardboard spacer strip.



WALK-IN MAINTENANCE

Again, **MAKE SURE THAT THE POWER IS DISCONNECTED** and remove the cover plate from the pilot light and switch on the front of the door section. Remove the two screws that attach the pilot light and switch assembly to the switch box and pull the pilot light and switch assembly out of the switch box enough to expose the terminal screws on the device.

Examine the wiring in the switch box and identify the two black leads from the heater wire that are connected either to two switch terminals or to one switch terminal and to a wire connector. Refer to the wiring diagram of the walk-in cooler in the "Electrical Connections" section of this manual. **HINT:** After positively identifying the two leads to the heater wire, cut the leads off, but leave an inch or two remaining on the switch terminal(s) and/or wire connector. In so doing, these short lengths of lead will positively identify the proper points of connection when the replacement heater is installed. Remove the original heater wire from the jambs and threshold and discard it.



INSTALLATION OF THE REPLACEMENT HEATER



Insert the two lead wires of the replacement heater into the access hole in the heater wire raceway that leads to the pilot light and switch junction box. **NOTE:** The section where the lead connects to the heater wire **SHOULD NOT BE BENT!** Locate the connector sections as close as possible to the access hole but **KEEP THEM STRAIGHT!** Secure the connector sections in place with a short piece of electrical tape.

Temporarily arrange the heater wire assembly.

WALK-IN MAINTENANCE



Using small pieces of electrical tape, fasten the heater wire in place. Lift the heater wire at each corner and apply three thicknesses of electrical tape around the insulation over a length of approximately 3".

Follow by forming a small loop at each corner to permit expansion and contraction of the heater wire without strain at these points. After the loops are formed, tape them in place with a short strip of electrical tape.

The heater wire should be relatively straight in the head jamb and in the side jambs, but all excess heater wire must be taken up in the THRESHOLD AREA ONLY by forming a "zig-zag" configuration. Make sure that this configuration will be accommodated by the width of the raceway in the bottom plate or threshold. The extra length of heater wire concentrated in the threshold will produce more heat per foot in the threshold than in the jambs.

After the heater wire is in place, tape it down where necessary with short strips of electrical tape to prevent the heater wire from interfering with the replacement of the chrome trim.



STAINLESS STEEL TRIM REPLACEMENT

Start replacing the stainless steel trim with the head trim section. Hold in place while replacing the three screws. Install the right and left trim in a similar manner. The trim should easily be replaced by hand.



THRESHOLD REPLACEMENT

Place the threshold in its original location and replace all the screws in their original locations. Reminder: The hardboard needs to be in place before replacing the threshold. After the threshold is secured, apply a 3/16" bead of silicone sealant at both ends of the threshold where they meet the side jambs. With a wet finger, smooth out the silicone fillet for a neat, professional looking job.

WALK-IN MAINTENANCE

ELECTRICAL CONNECTION

Referring to the wiring diagram in the "Electrical Connections" section of this manual, connect the heater wire leads as shown. If short lengths of the lead wires were left as indicators, connect the replacement heater leads to those points of connection and discard the short indicator lengths.

NOTE: If one of the heater leads connects to another wire through a wire connector, obtain a properly sized, twist-on wire connector for this purpose.

Replace the pilot light and switch in the switch box and attach the switch cover to complete the job. Energize the walk-in cooler to resume operation.

PANEL CLEANING AND MAINTENANCE RECOMMENDATIONS

During uncrating, handling and installation, the panel surfaces of your walk-in cooler or freezer may have become stained or dirty. Cleaning all metal type surfaces, door trim and gaskets can be performed with a mild detergent and hot water. It is important that you remove all excess soap and dry the surfaces thoroughly. Never, under any circumstances, use an abrasive or alkaline solution.

Occasionally it may become necessary to clean the interior surface for sanitary purposes. A mild solution of baking soda and warm water will tend to impart a clean, sweet smell to the interior should odors occur from spillage or container breakage. Never leave standing water inside the walk-in cooler or freezer.

Warning: Walk-in floor must be kept free of any liquids, food particles or any items that could cause a slip hazard. Spilled liquids, food particles or any moisture on the walk-in floor can cause the floor to become slippery. Always keep the floor surface clean and dry.

- Inspect non-skid floor strips on ramps and floor surfaces and replace if worn.
- Inspect refrigeration system, door gaskets and hardware for proper operation to prevent moisture on walk-in floor, ceiling or walls.
- Avoid leaving entry doors open for more than five minutes, which can cause a film of ice or moisture to form on floor, ceiling and wall surfaces due to the excessive condensation of warm moist air entering the walk-in. Vinyl strip curtains can be used to reduce the amount of warm moist air entering the walk-in.



FINAL CHECKLIST FOR INSTALLATION OF WALK-IN AND REFRIGERATION

Location# Sales Order #

Dear Refrigeration Contractor:

Our goal is to supply our customers with the best equipment available. This is accomplished by combining the highest quality commercial refrigeration equipment with a craftsman like installation that meets all factory requirements. This document will help you understand and verify the installation meets these requirements.

This document is to be used in conjunction with the Installation and Operation Instruction Manual and the floor plan drawings provided with the product.

When the job is complete and equipment is running to factory specifications, the attached inspection report must be filled out completely and returned.

If there are any questions, concerns, service or parts needs, please contact Norlake at 800-388-5253 or Master-Bilt at 800-647-1284. Please have the equipment model number and serial number at the time of your call.

Things to Verify When Inspecting an Installation:

(Shaded areas to be filled out by the installing refrigeration contractor)

Walk-In	Yes	No	Repairs Made	GC Review *
1. Were any components that were to be supplied by RSG missing from the delivery? Verify all the components delivered to the job site match the packing list.				
2. Is the surface that the walk-in is to be installed upon smooth and level to within plus or minus 1/2" over the length of the slab? (It is recommended a string level or laser level be used to verify the slab meets these requirements.) The walk-in shall not be installed if the levelness of the slab does not meet these requirements.				
3. Was the 6 ml polyethylene film vapor barrier installed prior to the floorpanels being installed?				
4. Is the walk-in centered in the space provided with a minimum of 2" clearance between the walk-in and building walls on each side?				
5. Are the cavities between the building envelope and walk-in external walls free of debris and remain unobstructed?				
6. Are there any damaged panels or other components, dents or unsightly scratches in the supplied walk-in floor, wall or ceiling panels?				
7. Is the base of the walk-in caulked around the perimeter?				
8. Are all the wall panels level across the top? Are walls plumb and ceiling level?				
9. Are there any gaps identified between wall panels following engagement of the lock and strike? The panel gasket must be in contact with the metal edges of both panels.				
10. Is the door section and door plug plumb and level? Does the door close properly? (Verify door closing by opening the door to 90°. Door must close and seal without any assist).				

FINAL CHECKLIST FOR INSTALLATION OF RSG WALK-IN AND REFRIGERATION

<p>11. Are the lights installed, connected to the light switch and operating correctly?</p> <p>12. Have all electrical and other penetrations been properly sealed as recommended?</p> <p>13. Is the temperature sensor extended away from door and mounted on the wall?</p> <p>14. Is the strip curtain mounted in place and secured?</p> <p>15. Are the refrigerant piping and electrical cable supported and strain free?</p> <p>16. Is the serial tag correctly installed?</p> <p>17. Has the surplus construction material been removed from the top of the walk-in?</p> <p>18. Does the installation look professional?</p>	
---	--

Note: RSG recommends pictures be taken after the installation is complete.

- 1). Exterior door section (full view)
- 2). Evaporator section (after installation)
- 3). Condensing Unit (after installation)

<p>Final Inspection of the Walk-in and Refrigeration Systems</p> <p>Have the installation and maintenance manuals, wiring diagrams and other walk-in documents been turned over to the end user?</p>	Yes	No	Repairs Made	GC Review *
---	-----	----	--------------	-------------

Walk-In Model Number(s) _____

Walk-In Serial Number (s) _____

By signing below the installer hereby certifies that the installation has been completed in compliance with RSG standards and specifications. Items found not in compliance will be corrected by the installing contractor at no charge.

Refrigeration / Installation Contractor Name: _____

Refrigeration / Installation Contractor Signature: _____ Date: _____

General Contractor Name: _____

General Contractor Signature: _____ Date: _____

Contact Technical Department:

Norlake: 800-388-5253

Master-Bilt: 800-684-8988





Refrigerated Solutions Group
891 County Road U
Hudson, WI 54016

800-955-5253 Norlake Foodservice Sales
800-477-5253 Norlake Scientific Sales
800-388-5253 Norlake Parts/Service
877-503-5253 Norlake Walk-In Installation

800-647-1284 Master-Bilt Sales
800-684-8988 Master-Bilt Parts/Service



Instalación de la cámara frigorífica

**Norlake[®] Kold Locker[™], Fast-Trak[®], Fineline[™],
Enviro-Line y Mini Rooms**

**Master-Bilt[®] QS Series, Quick Ship, Bilt2Spec[™]
y Ready-Bilt[™]**



Tabla de contenido

Introducción	3
Política de seguridad del producto	4
Herramientas necesarias	5
Información general	6-10
Desembalaje e inspección	6
Almacenamiento del panel de espuma	8
Diagrama de montaje	9
Cerrojos de sección	10
Instalación de la cámara frigorífica	11-34
Instalación del piso	12
Selección del lugar, preparación de la base	14
Construcción de los paneles de paredes y techo	22
Orden de instalación del panel	25
Puerta y sección de la puerta	26
Rampa exterior	30
Rampa interior	31
Tejado de membrana	32
Conexiones eléctricas	33
Cableado	33
Mantenimiento de la cámara frigorífica	38-46
Piezas de la puerta	38
Conexión eléctrica	47
Lista de verificación final para la instalación	48-46

Introducción

Su cámara frigorífica o cámara congeladora Refrigerated Solutions Group (RSG) tiene un diseño de calidad y se elaboró conforme a estrictos controles de producción. Cuenta con la más avanzada tecnología de fabricación, así como técnicas de diseño innovadoras que proporcionan máxima conveniencia para el usuario.

Guarde este material de consulta sobre mantenimiento en un archivo a mano para poder responder inmediatamente cualquier pregunta que pudiera tener con respecto a su cámara frigorífica RSG. Este manual se diseñó no solo para proporcionar orientación durante la fase de instalación, sino para servir como material de consulta para el usuario en años venideros. Contiene información sobre el funcionamiento de diversos componentes, detalles de cableados eléctricos, procedimientos de mantenimiento y técnicas de ajuste o métodos de reemplazo de ciertas piezas.

Tómese el tiempo de leer todas las secciones de este manual. Con ello logrará entender mejor su equipo y tendrá un mejor conocimiento del producto que lo ayudará a obtener el rendimiento que espera de su cámara frigorífica RSG.

Atentamente,

Refrigerated Solutions Group

CUALQUIER CORRESPONDENCIA QUE SE ENVÍE EN RELACIÓN CON ESTE EQUIPO DEBE INDICAR EL NÚMERO DE MODELO Y EL NÚMERO DE SERIE QUE APARECEN EN LA PLACA DE DATOS UBICADA EN LA PARTE INTERIOR DE LA SECCIÓN DE LA PUERTA.

Refrigerated Solutions Group
891 County Road U
Hudson, WI 54016

800-955-5253 Ventas de Servicios Alimentarios de Norlake
800-477-5253 Ventas de Productos Científicos de Norlake
800-388-5253 Repuestos y Mantenimiento de Norlake

800-647-1284 Ventas de Master-Bilt
800-684-8988 Repuestos y Mantenimiento de Master-Bilt



POLÍTICA DE SEGURIDAD DEL PRODUCTO

Nos esforzamos por proporcionar a nuestros clientes un equipo que cuenta con las siguientes características:

1. Se ha desarrollado mediante la aplicación de principios de ingeniería profesional en la investigación, desarrollo y seguridad del usuario del producto.
2. Se ha diseñado para cumplir o superar las normas de rendimiento y seguridad de la industria.
3. Se ha revisado a cabalidad y comprobado profesionalmente el funcionamiento, fiabilidad y seguridad del producto.
4. Se ha fabricado de acuerdo con nuestros estándares profesionales de compra, producción y control de calidad diseñados para asegurar la fiabilidad y seguridad continuas del producto.
5. Se ha representado en nuestra publicidad o material promocional de productos de una manera informativa y factual creada para ayudar a nuestro cliente en su selección de productos.
6. Va acompañado de instrucciones claras y completas de instalación, operación y mantenimiento diseñadas para asegurar muchos años de rendimiento satisfactorio del producto.
7. Es sólo mediante usted, nuestro cliente satisfecho, que podemos seguir liderando el diseño, desarrollo y fabricación de equipos de refrigeración como antaño.
8. RSG se reserva el derecho de mejorar nuestros productos sin previo aviso y sin imponernos ninguna obligación de realizar tales cambios en productos fabricados anteriormente.

Advertencia: El piso de la cámara frigorífica debe mantenerse libre de cualquier elemento que pueda causar un peligro de resbalones. Los líquidos derramados, partículas de comida o cualquier humedad en el piso de la cámara frigorífica pueden causar que el piso se vuelva resbaladizo. Mantenga la superficie del piso limpia y seca en todo momento.

- Inspeccione las tiras antideslizantes del piso en las rampas y las superficies del piso y reemplácelas si están desgastadas.
- Inspeccione el sistema de refrigeración, las juntas de las puertas y los herrajes para que funcionen correctamente y así evitar que haya humedad en el piso, el techo o las paredes.
- Evite dejar las puertas de entrada abiertas durante más de cinco minutos, ya que esto puede provocar la formación de una película de hielo o humedad en las superficies del piso, el techo y las paredes debido a la excesiva condensación de aire caliente y húmedo que entra a la cámara frigorífica. Se pueden utilizar cortinas de tiras de vinilo para reducir la cantidad de aire húmedo y caliente que entra a la cámara frigorífica.

HERRAMIENTAS NECESARIAS PARA DESEMBALAR E INSTALAR SU CÁMARA FRIGORÍFICA RSG



- NIVEL
- PISTOLA DE CALAFATEO
- CINTA MÉTRICA
- GAFAS DE SEGURIDAD
- MARTILLO
- TIJERAS PARA CORTAR METAL
- PALANQUETA
- DESTORNILLADOR PHILLIPS
- LLAVE ALLEN
- CUCHILLO MULTIUSO
- ESCUADRA
- TALADRO

INFORMACIÓN GENERAL

INFORMACIÓN GENERAL DE INSTALACIÓN DE LA CÁMARA FRIGORÍFICA

Esta cámara frigorífica o cámara congeladora fue producida con lo más avanzado en tecnología de fabricación, los materiales de mayor calidad disponibles, junto con innovaciones que la convierten en un producto distintivo en su campo. A pesar de los estrictos controles en la elaboración del producto, no se debe pasar por alto leer y **COMPRENDER** a fondo las siguientes instrucciones. El resultado será una instalación ordenada y eficaz. ¡Tómese el tiempo de seguir los pasos tal como se indican! **NOTA: El paso más importante es comenzar con una superficie nivelada.**

NOTA: Las cámaras frigoríficas para interiores deben estar en un espacio con control ambiental. Se debe mantener una humedad relativa de entre 30 % y 60 %, así como conservar un punto de condensación de 10 °C o menos.



Recibo de entrega

DESEMBALAJE E INSPECCIÓN

Revise el recibo de entrega para ver el número de piezas que conforman el envío y asegúrese de que el número de pallets, cajas o cajones concuerde con ese número. Cada pieza debe estar claramente marcada con el mismo número de orden que aparece en el recibo de entrega como el número del remitente. Cada cámara frigorífica está codificada por colores.

Examine el estado general del envío y, tan pronto como termine de desembalar, inspeccione cuidadosamente todas las piezas para detectar posibles daños durante el envío. Si se descubren piezas dañadas, comuníquese con RSG inmediatamente.



Paneles de cámaras frigoríficas estándar



Sistema de refrigeración con panel de control

INFORMACIÓN GENERAL

Retire el embalaje protector y busque la bolsa de herrajes.



La bolsa de herrajes contiene piezas de accesorios para esta cámara frigorífica, junto con un diagrama de montaje, una disposición de la cámara frigorífica que incluye un montaje de enrase para las cámaras frigoríficas sin piso y una lista de embalaje detallada de todas las piezas suministradas para esta cámara frigorífica individual. Todas las piezas se deben comparar con la lista de embalaje.

Si se encuentran discrepancias, comuníquese con RSG inmediatamente. Algunas cámaras frigoríficas vienen con una caja naranja adicional de herrajes.



Localice la lista de embalaje y úsela como referencia cuando desempaque.

QTY	Part Number	Description	Unit
2	141721-8-1	186.25 X 24 WALL	
2	141721-8-2	186.25 X 24 WALL	
2	141721-8-3	186.25 X 24 WALL	
1	141721-8-4	186.25 X 24 WALL W/IGHT OUTLET	
1	141721-8-5	186.25 X 24 WALL W/IGHT OUTLET	
1	141721-8-6	186.25 X 24 WALL W/IGHT OUTLET	
1	141721-8-7	186.25 X 24 WALL W/IGHT OUTLET	
1	141721-8-8	186.25 X 24 WALL W/IGHT OUTLET	
1	141721-8-9	186.25 X 24 WALL W/IGHT OUTLET	
1	141721-8-10	186.25 X 24 WALL W/IGHT OUTLET	
1	141721-8-11	186.25 X 24 WALL W/IGHT OUTLET	
1	141721-8-12	186.25 X 24 WALL W/IGHT OUTLET	
1	141721-8-13	186.25 X 24 WALL W/IGHT OUTLET	
1	141721-8-14	186.25 X 24 WALL W/IGHT OUTLET	
1	141721-8-15	186.25 X 24 WALL W/IGHT OUTLET	
1	141721-8-16	186.25 X 24 WALL W/IGHT OUTLET	
1	141721-8-17	186.25 X 24 WALL W/IGHT OUTLET	
1	141721-8-18	186.25 X 24 WALL W/IGHT OUTLET	
1	141721-8-19	186.25 X 24 WALL W/IGHT OUTLET	
1	141721-8-20	186.25 X 24 WALL W/IGHT OUTLET	
1	141721-8-21	186.25 X 24 WALL W/IGHT OUTLET	
1	141721-8-22	186.25 X 24 WALL W/IGHT OUTLET	
1	141721-8-23	186.25 X 24 WALL W/IGHT OUTLET	
1	141721-8-24	186.25 X 24 WALL W/IGHT OUTLET	
1	141721-8-25	186.25 X 24 WALL W/IGHT OUTLET	
1	141721-8-26	186.25 X 24 WALL W/IGHT OUTLET	
1	141721-8-27	186.25 X 24 WALL W/IGHT OUTLET	
1	141721-8-28	186.25 X 24 WALL W/IGHT OUTLET	
1	141721-8-29	186.25 X 24 WALL W/IGHT OUTLET	
1	141721-8-30	186.25 X 24 WALL W/IGHT OUTLET	
1	141721-8-31	186.25 X 24 WALL W/IGHT OUTLET	
1	141721-8-32	186.25 X 24 WALL W/IGHT OUTLET	
1	141721-8-33	186.25 X 24 WALL W/IGHT OUTLET	
1	141721-8-34	186.25 X 24 WALL W/IGHT OUTLET	
1	141721-8-35	186.25 X 24 WALL W/IGHT OUTLET	
1	141721-8-36	186.25 X 24 WALL W/IGHT OUTLET	
1	141721-8-37	186.25 X 24 WALL W/IGHT OUTLET	
1	141721-8-38	186.25 X 24 WALL W/IGHT OUTLET	
1	141721-8-39	186.25 X 24 WALL W/IGHT OUTLET	
1	141721-8-40	186.25 X 24 WALL W/IGHT OUTLET	
1	141721-8-41	186.25 X 24 WALL W/IGHT OUTLET	
1	141721-8-42	186.25 X 24 WALL W/IGHT OUTLET	
1	141721-8-43	186.25 X 24 WALL W/IGHT OUTLET	
1	141721-8-44	186.25 X 24 WALL W/IGHT OUTLET	
1	141721-8-45	186.25 X 24 WALL W/IGHT OUTLET	
1	141721-8-46	186.25 X 24 WALL W/IGHT OUTLET	
1	141721-8-47	186.25 X 24 WALL W/IGHT OUTLET	
1	141721-8-48	186.25 X 24 WALL W/IGHT OUTLET	
1	141721-8-49	186.25 X 24 WALL W/IGHT OUTLET	
1	141721-8-50	186.25 X 24 WALL W/IGHT OUTLET	
1	141721-8-51	186.25 X 24 WALL W/IGHT OUTLET	
1	141721-8-52	186.25 X 24 WALL W/IGHT OUTLET	
1	141721-8-53	186.25 X 24 WALL W/IGHT OUTLET	
1	141721-8-54	186.25 X 24 WALL W/IGHT OUTLET	
1	141721-8-55	186.25 X 24 WALL W/IGHT OUTLET	
1	141721-8-56	186.25 X 24 WALL W/IGHT OUTLET	
1	141721-8-57	186.25 X 24 WALL W/IGHT OUTLET	
1	141721-8-58	186.25 X 24 WALL W/IGHT OUTLET	
1	141721-8-59	186.25 X 24 WALL W/IGHT OUTLET	
1	141721-8-60	186.25 X 24 WALL W/IGHT OUTLET	
1	141721-8-61	186.25 X 24 WALL W/IGHT OUTLET	
1	141721-8-62	186.25 X 24 WALL W/IGHT OUTLET	
1	141721-8-63	186.25 X 24 WALL W/IGHT OUTLET	
1	141721-8-64	186.25 X 24 WALL W/IGHT OUTLET	
1	141721-8-65	186.25 X 24 WALL W/IGHT OUTLET	
1	141721-8-66	186.25 X 24 WALL W/IGHT OUTLET	
1	141721-8-67	186.25 X 24 WALL W/IGHT OUTLET	
1	141721-8-68	186.25 X 24 WALL W/IGHT OUTLET	
1	141721-8-69	186.25 X 24 WALL W/IGHT OUTLET	
1	141721-8-70	186.25 X 24 WALL W/IGHT OUTLET	
1	141721-8-71	186.25 X 24 WALL W/IGHT OUTLET	
1	141721-8-72	186.25 X 24 WALL W/IGHT OUTLET	
1	141721-8-73	186.25 X 24 WALL W/IGHT OUTLET	
1	141721-8-74	186.25 X 24 WALL W/IGHT OUTLET	
1	141721-8-75	186.25 X 24 WALL W/IGHT OUTLET	
1	141721-8-76	186.25 X 24 WALL W/IGHT OUTLET	
1	141721-8-77	186.25 X 24 WALL W/IGHT OUTLET	
1	141721-8-78	186.25 X 24 WALL W/IGHT OUTLET	
1	141721-8-79	186.25 X 24 WALL W/IGHT OUTLET	
1	141721-8-80	186.25 X 24 WALL W/IGHT OUTLET	
1	141721-8-81	186.25 X 24 WALL W/IGHT OUTLET	
1	141721-8-82	186.25 X 24 WALL W/IGHT OUTLET	
1	141721-8-83	186.25 X 24 WALL W/IGHT OUTLET	
1	141721-8-84	186.25 X 24 WALL W/IGHT OUTLET	
1	141721-8-85	186.25 X 24 WALL W/IGHT OUTLET	
1	141721-8-86	186.25 X 24 WALL W/IGHT OUTLET	
1	141721-8-87	186.25 X 24 WALL W/IGHT OUTLET	
1	141721-8-88	186.25 X 24 WALL W/IGHT OUTLET	
1	141721-8-89	186.25 X 24 WALL W/IGHT OUTLET	
1	141721-8-90	186.25 X 24 WALL W/IGHT OUTLET	
1	141721-8-91	186.25 X 24 WALL W/IGHT OUTLET	
1	141721-8-92	186.25 X 24 WALL W/IGHT OUTLET	
1	141721-8-93	186.25 X 24 WALL W/IGHT OUTLET	
1	141721-8-94	186.25 X 24 WALL W/IGHT OUTLET	
1	141721-8-95	186.25 X 24 WALL W/IGHT OUTLET	
1	141721-8-96	186.25 X 24 WALL W/IGHT OUTLET	
1	141721-8-97	186.25 X 24 WALL W/IGHT OUTLET	
1	141721-8-98	186.25 X 24 WALL W/IGHT OUTLET	
1	141721-8-99	186.25 X 24 WALL W/IGHT OUTLET	
1	141721-8-100	186.25 X 24 WALL W/IGHT OUTLET	

INFORMACIÓN GENERAL

ALMACENAMIENTO DEL PANEL DE ESPUMA

Si los paneles de espuma que se colocan en el lugar de trabajo se deben almacenar antes de su instalación, se deben tomar las siguientes medidas para proteger los paneles tanto contra las manchas de la humedad y la luz solar como contra las abolladuras que pueden producir los trabajadores y el tráfico.

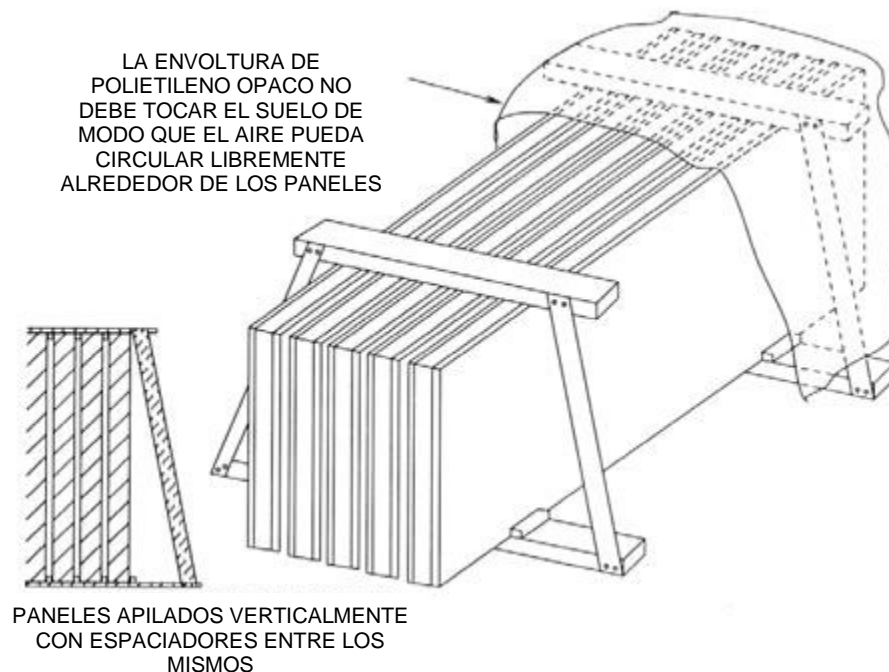
Siempre que sea posible, los paneles deben almacenarse en el interior y deben permanecer en el pallet de embalaje en el que se enviaron originalmente. Si los paneles se desempacaron cuando se descargaron del camión de reparto y se almacenan en el interior, deben guardarse verticalmente sobre polines con espaciadores entre los paneles.

Cuando se almacenan los paneles en posición vertical, siempre se debe colocar el borde del riel hembra (ranurado) hacia abajo (ver ilustración abajo). Este método de almacenamiento de paneles proporcionará una ventilación adecuada, permitirá el drenaje de la humedad de condensación y protegerá los paneles contra la formación de manchas blancas de óxido.

Si los paneles deben ser almacenados en el exterior, siga el mismo procedimiento que se indica para el almacenamiento en el interior **CON ESTA INSTRUCCIÓN ADICIONAL**: Cubra los paneles completamente con un material de polietileno opaco a prueba de agua para protegerlos de la lluvia, la nieve, el calor y la luz solar.

La siguiente ilustración muestra el método de almacenamiento en el exterior cuando los paneles no se dejan en cajas en pallets.

Nota: RSG siempre recomienda que el equipo se instale una vez recibido, pero entiende que puede ser necesario almacenarlo. RSG no garantiza los problemas relacionados con el almacenamiento, tales como daños por manipulación, daños por almacenamiento, envejecimiento de los paneles, etc. Recomendamos que se aceiten las cerraduras y se limpien los paneles con un aceite blanco.



INFORMACIÓN GENERAL

DIAGRAMA DE MONTAJE

El diagrama de montaje, tal como se suministra con cada cámara frigorífica, es un plan detallado que ilustra la colocación de cada panel de pared, esquina, techo y piso que comprende una cámara frigorífica completa e individual.

El diagrama de montaje de todas las instalaciones muestra claramente la dirección del perfil formado por el macho y la hembra de cada panel de pared y cada panel de esquina.

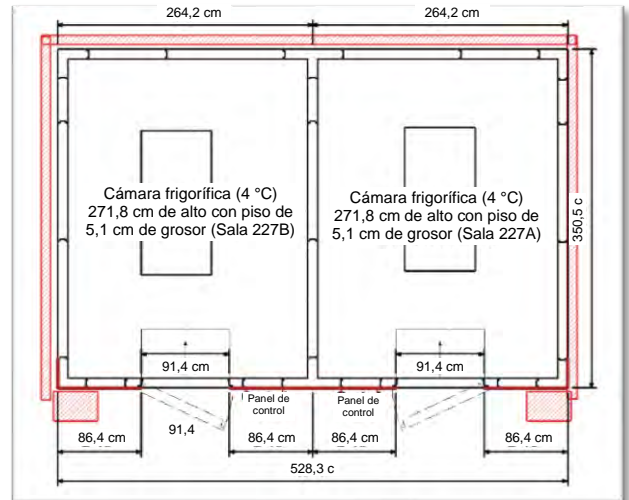


Diagrama de montaje

Todas las secciones utilizadas para construir su cámara frigorífica están marcadas con un número de pieza específico en la sección, que corresponde con su ubicación en el diagrama de montaje.

Si la cámara frigorífica no tiene piso, entonces se proporciona un diagrama que muestra la disposición del enrase de vinilo (sellador de piso).

El enrase de vinilo combina la capacidad de sostener los paneles de las paredes en su lugar, al tiempo que proporciona la cala interior y exterior en la unión de las paredes y el piso del edificio (requisito de la Norma N.º 7 de la National Sanitation Foundation (NSF).

¡IMPORTANTE! No intente montar una cámara CONGELADORA sin piso en el piso existente de un edificio que no haya sido especialmente preparado y aislado para temperaturas de almacenamiento por debajo del punto de congelación.



Etiqueta de inspección de RSG y número de pieza específico del panel

INFORMACIÓN GENERAL

CERROJOS DE SECCIÓN

Todos los paneles de las paredes, esquinas, techos y pisos están unidos y bloqueados por la acción mecánica de los cerrojos de sección que están insertados de manera integral con espuma en los paneles cerca de los bordes perimetrales. Un cerrojo de sección consiste en dos mitades: un alojamiento de cierre que contiene un brazo de cierre accionado por leva, o gancho, y un alojamiento de la cerradura hembra que contiene el pasador de enganche. Ambas mitades del alojamiento están firmemente ancladas en el núcleo de espuma del panel. El alojamiento de cierre siempre se encontrará en el borde macho y el alojamiento de la cerradura hembra se encontrará en el borde hembra del panel.



PARA OPERAR LOS CERROJOS

Cerradura de leva totalmente extendida



La llave hexagonal está en la bolsa de herrajes provista



1. Inserte la llave hexagonal (incluida en la bolsa de herrajes) a través del orificio de acceso en el metal del panel interior en la abertura hexagonal del cerrojo de sección. Gire la llave en sentido contrario a las agujas del reloj para asegurarse de que la cerradura está totalmente desbloqueada



2. Empuje las secciones juntas y gire la llave 1/4 de vuelta en el sentido de las agujas del reloj. Esto enganchará el brazo de cierre (gancho) sobre el pasador en el alojamiento de la cerradura hembra.



3. Continúe girando la llave hasta el tope (aproximadamente 3/4 de vuelta completa desde la posición de desenganche) para finalizar la operación de bloqueo.

Los cerrojos de algunos paneles deberán girarse en sentido contrario a las agujas del reloj para activar la leva de bloqueo. Estos cerrojos se designarán con una etiqueta autoadhesiva que tiene la inscripción "TURN" (Girar).

INSTALACIÓN DE LA CÁMARA FRIGORÍFICA

SELECCIÓN DEL LUGAR, PREPARACIÓN DE LA BASE Y LA NIVELACIÓN DEL PISO CÁMARA FRIGORÍFICA O CÁMARA CONGELADORA CON PISO

Una de las consideraciones más importantes en la construcción de una cámara frigorífica o una cámara congeladora es el piso del edificio o la superficie sobre la que se apoyará la cámara. Como en cualquier estructura, una base firme y nivelada es esencial para lograr un resultado perfecto. Si la superficie no está perfectamente nivelada y lisa, deben tomarse las medidas adecuadas para proporcionar la base apropiada. La acción positiva de las puertas de autocierre, el sellado adecuado de las juntas de las puertas y la eliminación de la condensación dependen directamente del nivel y la instalación a plomo de todos los paneles.

Si la cámara frigorífica se va a instalar junto a una pared o paredes existentes del edificio, asegúrese de que **QUEDE UN ESPACIO MÍNIMO DE 5,1 CM ENTRE LA CÁMARA FRIGORÍFICA Y LA PARED O PAREDES DEL EDIFICIO** para considerar las irregularidades de la pared o paredes del edificio y para permitir un flujo libre de aire entre las dos superficies.



NOTA: Las cámaras frigoríficas para interiores deben estar en un espacio con control ambiental. Se debe mantener una humedad relativa de entre 30 % y 60 %, así como conservar un punto de condensación de 10 °C o menos.

En algunos casos, la superficie sobre la que se va a instalar la cámara frigorífica se preparó especialmente para la instalación y está perfectamente nivelada y lisa. El piso de la cámara frigorífica, en este caso, se puede instalar sin más preparación. Sin embargo, antes de comenzar, debe colocarse una barrera de vapor apropiada sobre la superficie que ocupará la cámara frigorífica. Se recomiendan materiales como el papel de fieltro asfáltico (N.º 50) o una película de polietileno de 0,15 mm. **El contratista debe encargarse de proveer estos materiales. Se requiere una barrera de vapor tanto en aplicaciones interiores como exteriores.**



INSTALACIÓN DE LA CÁMARA FRIGORÍFICA

INSTALACIÓN DEL PISO (Método de nivelación por calce) PARA CÁMARAS FRIGORÍFICAS SUJETAS A CARGAS DE LIVIANAS A MODERADAS

Ubique el punto más alto dentro de las líneas del perímetro. Un teodolito, un nivel de topógrafo o un nivel láser son instrumentos ideales para ubicar este punto. Cuando se localice el punto más alto, márquelo directamente en el piso y consulte el diagrama de montaje para determinar dónde se encuentra el punto más alto con respecto al plano de piso.

Uno de los procedimientos más importantes que se encontrarán en la construcción de una cámara frigorífica con piso es **NIVELAR EL PISO**. ¡Debe estar **PERFECTAMENTE NIVELADO**! Si no lo está, el panel de la pared seguirá las irregularidades del piso de la cámara frigorífica, lo que afectará directamente a los procedimientos subsiguientes como el cierre, el sellado de la junta del panel, el ensamblaje del panel del techo, entre otros.

Usando el diagrama de montaje como guía, seleccione el panel de piso que se ubicará directamente sobre el punto más alto y colóquelo en esa posición mientras observa el contorno dibujado en el piso del edificio.

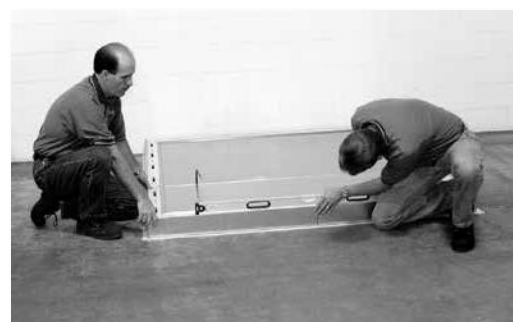
Una vez que el panel del primer piso esté posicionado, debe estar correctamente nivelado. Para ello, se debe utilizar material de calce de diferentes espesores. Las tejas de madera de cedro para construcción son ideales para este procedimiento. **SIN EMBARGO, TAMBIÉN SE ACEPTAN OTROS MATERIALES RESISTENTES A LA PUTREFACCIÓN O A LA COMPRESIÓN.**

¡IMPORTANTE! CADA PANEL DE PISO DEBE ESTAR SOSTENIDO

EN SUS CUATRO COSTADOS Y ENTERAMENTE POR DEBAJO, POR LO MENOS CADA 30,5 CM, YA SEA POR EL PISO DEL EDIFICIO O POR CALCES.

Luego de haber nivelado perfectamente el primer panel de piso, corte el exceso de material de calce de modo que no se proyecte fuera del panel en ninguno de los cuatro costados.

Consultando el diagrama de montaje, determine qué panel de piso se instalará a continuación y donde estará situado en el plano de piso. Prepare el material de calce para el segundo panel en cada punto donde se haya usado este material, debajo del primer panel de piso. El espesor del material de calce debe ser tal que pueda soportar el segundo panel de piso a la misma altura que el primer panel a lo largo de la unión. **NOTA:** En muchos casos, el material de calce tiene el mismo espesor que los calces adyacentes debajo del primer panel.

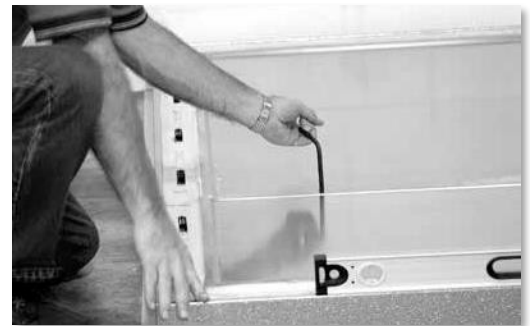


INSTALACIÓN DE LA CÁMARA FRIGORÍFICA

Coloque el segundo panel en posición junto al primer panel de piso, pero **¡NO LO TRABE!**



Calce el segundo panel donde sea necesario, con el mismo procedimiento empleado en el primer panel. Cuando los cuatro bordes del segundo panel de piso estén adecuadamente calzados, fije los paneles entre sí para trabarlos. Usando la misma técnica para nivelar, compruebe el nivelado de las dos secciones en todas las direcciones. Para ello, coloque el nivel a través de la junta en varios puntos y nuevamente compruebe la nivelación de los paneles de piso en la dirección de la junta de los paneles.



Consulte el diagrama de montaje e instale los paneles de piso restantes con el mismo procedimiento empleado para el primer y segundo panel de piso. Cuando todos los paneles de piso estén instalados y perfectamente nivelados, compruebe que los cerrojos de sección queden trabados de modo total y completo.



Elimine los excesos en la barrera de vapor.



INSTALACIÓN DE LA CÁMARA FRIGORÍFICA

SELECCIÓN DEL LUGAR, PREPARACIÓN DE LA BASE

CÁMARA FRIGORÍFICA Y CONGELADOR SIN PISO INSTALADO EN UN ENRASE DE VINILO DE 2,5 CM

¡IMPORTANTE! No intente montar una cámara CONGELADORA sin piso en un edificio existente que no haya sido especialmente preparado y aislado para temperaturas de almacenamiento por debajo del punto de congelación. **Nota: Todas las roturas térmicas en la placa de piso deben estar expuestas, incluido el tabique.**

Para instalar un enrase de vinilo sobre un piso ya existente, proceda de la siguiente manera:

Ubique el diagrama de ensamblaje del enrase (sellador de piso), el cual lo hallará en la caja de herrajes. Usando este diagrama como guía, trace un esquema de las dimensiones externas del enrase directamente sobre el piso del edificio donde se ubicará la cámara frigorífica. Las dimensiones serán 3,81 cm más grandes que todas las dimensiones de la cámara frigorífica en ambas direcciones.

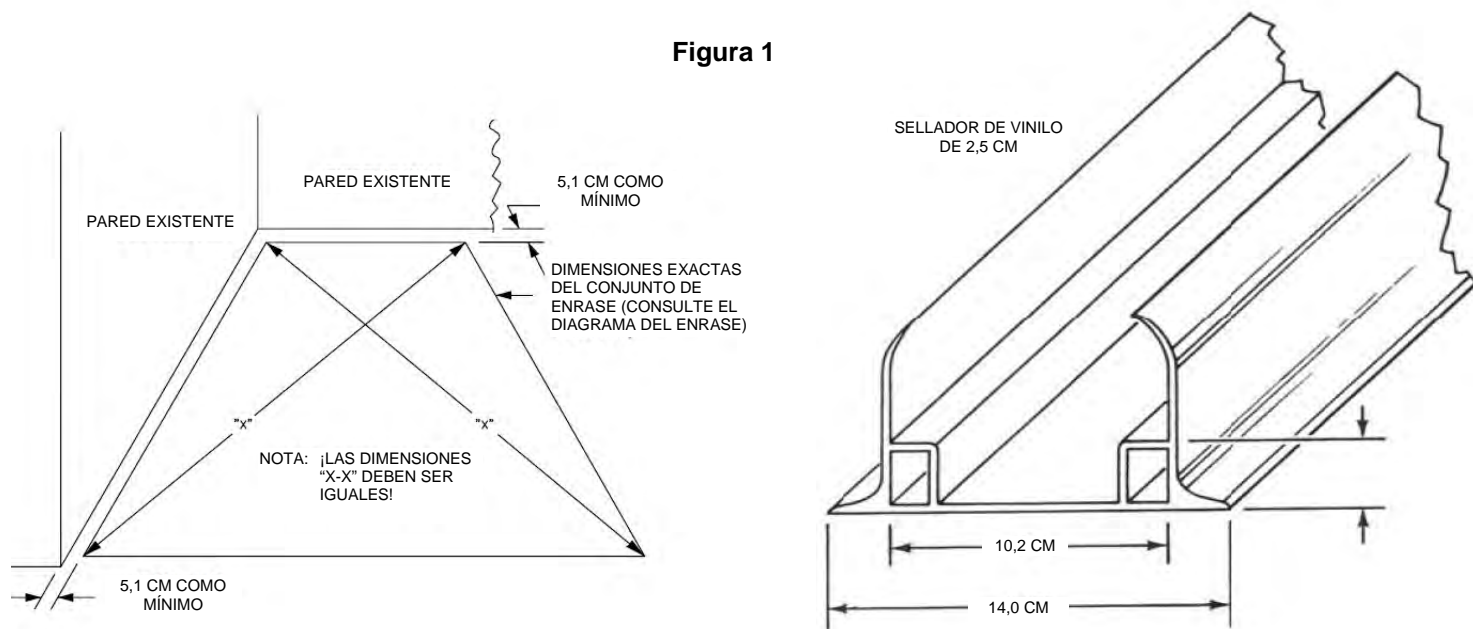
Si la cámara frigorífica se va a instalar junto a una pared o paredes existentes del edificio, asegúrese de que **QUEDE UN ESPACIO MÍNIMO DE 5,08 CM ENTRE EL CONTORNO DIBUJADO Y LA PARED O PAREDES DEL EDIFICIO** para considerar las irregularidades de la pared

o paredes del edificio y para permitir un flujo libre de aire entre las dos superficies. **CONTROLE CUIDADOSAMENTE LA CUADRATURA** y confirme que las dos dimensiones entre las esquinas opuestas sean iguales (Figura 1).

Uno de los procedimientos más importantes que se encontrarán en la preparación de la base es **NIVELAR EL ENRASE**. ¡Debe estar **PERFECTAMENTE NIVELADO!** Si no lo está, los paneles de la pared seguirán las irregularidades del piso del edificio, lo que afectará directamente a los procedimientos subsiguientes como el cierre de paneles, el sellado de la junta del panel, el ensamblaje del panel del techo, entre otros.

Después de realizar el contorno del montaje de enrase, localice el punto más alto dentro del contorno en el piso donde se instalará el enrase. Las secciones de enrase tienen un ancho de 140 mm. Un teodolito o nivel de topógrafo es el instrumento ideal para este propósito. Marque el punto más alto del piso (Figura 2) y, según el diagrama de enrase, identifique y localice la sección apropiada del enrase y colóquela directamente sobre el punto más alto.

Figura 1



INSTALACIÓN DE LA CÁMARA FRIGORÍFICA

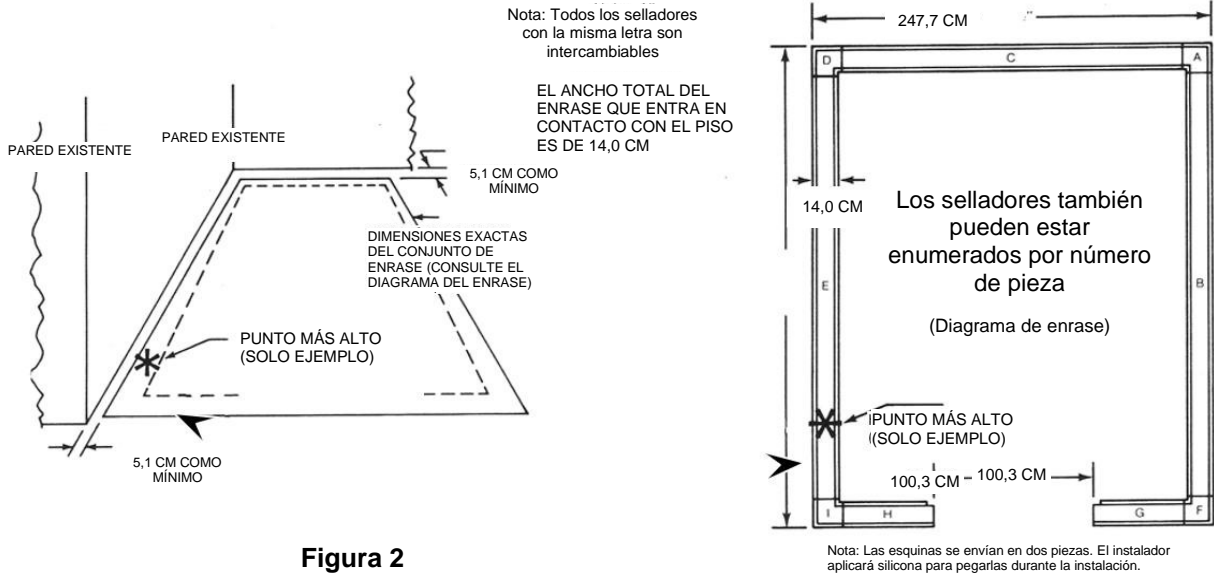


Figura 2

Después de colocar la primera sección de enrase, esta debe estar **PERFECTAMENTE NIVELADA** no solo a lo largo, sino también a lo ancho. Para lograrlo, probablemente se requerirá material de calce. Una baldosa de vinilo es ideal para este propósito. Sin embargo, se aceptan otros materiales resistentes a la descomposición o a la compresión. **¡IMPORTANTE!** CADA SECCIÓN DE ENRASE DEBE APOYARSE AL MENOS CADA 30,5 CM EN EL PISO DEL EDIFICIO O MEDIANTE CALCES (Figura 3).

Suponiendo que la primera sección de enrase se niveló perfectamente, consulte el diagrama de enrase, seleccione una sección adyacente del enrase y nivélela con precisión en ambas direcciones, agregue calces siempre que sea necesario. Siga nivelando el resto de las secciones del enrase hasta que todo el montaje esté en posición. Revise el montaje y asegúrese de que los bordes exteriores estén ubicados exactamente en el contorno dibujado en el piso del edificio.

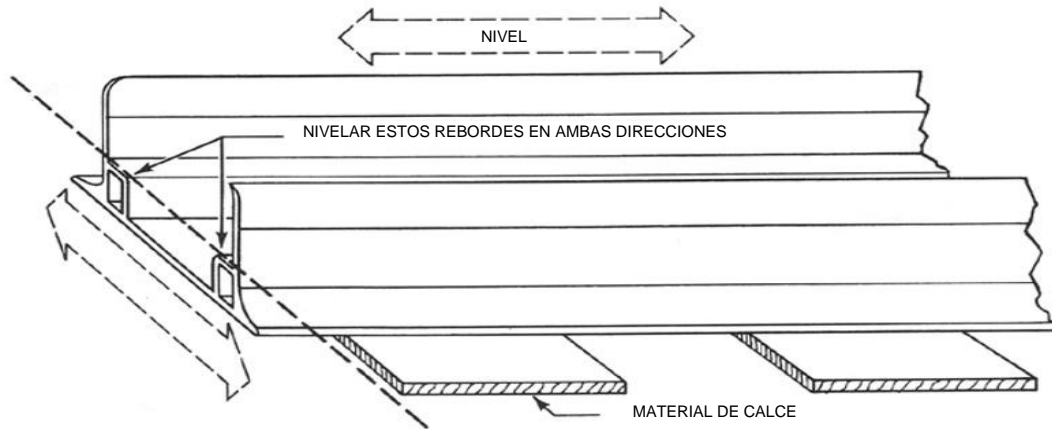


Figura 3

INSTALACIÓN DE LA CÁMARA FRIGORÍFICA

Cuando todo el montaje de enrase esté nivelado y apoyado por calces, según sea necesario, **CUIDADOSAMENTE Y SIN ALTERAR EL MATERIAL DE CALCE**, levante las secciones del enrase, póngalas boca abajo y aplique un cordón grueso de obturador de construcción en la parte inferior de estas, a lo largo de los dos bordes que están en contacto con la superficie del piso del edificio. El diámetro del cordón de obturador debe ser mayor que el del material de calce más grueso, para garantizar un sellado completo y hermético a lo largo de toda la longitud del enrase (Figura 4). Se proporciona un obturador con aprobación de NSF, que se encuentra en la caja de herrajes.

Inmediatamente después de aplicar el obturador de construcción en una sección de enrase, vuelva a colocar la sección de enrase en su ubicación original en el piso del edificio **SIN ALTERAR EL MATERIAL DE CALCE** y coloque un empalme sellador en cada unión del montaje de enrase (Figura 4). Debido a que el empalme sellador está diseñado para mantener alineadas las secciones adyacentes del enrase, aproximadamente la mitad del empalme sellador debe cubrir cada sección. No es necesario fijarlo en su lugar (Figura 4). **NOTA: Selle todas las uniones del enrase con obturador.** Realice una comprobación final de la cuadratura y nivelación, y verifique si el montaje de enrase está bien ubicado con respecto al contorno dibujado en el piso del edificio.

A continuación, asegure el montaje de enrase al piso del edificio con sujetadores adecuados para dicho piso. Estos sujetadores no se proporcionan y se deben obtener mediante terceros.

Los sujetadores se deben instalar a lo largo de la línea central del interior del enrase, en intervalos de aproximadamente 91,4 cm; sin embargo, cuando use calces, instale los sujetadores a través del material de calce, **NO ENTRE** los calces. Cuando todo el conjunto esté asegurado en su posición, recorte todo el exceso de obturador de construcción y calces en ambos bordes del enrase. Recorte el sellador a ras con el reborde del enrase y retoque las áreas donde el obturador de construcción no logre un sellado perfecto (Figura 4).

NOTA: Si el piso del edificio se preparó especialmente para la instalación y no se detectan puntos bajos o altos, es posible que no se necesiten calces. Entonces solo habrá que aplicar obturador de construcción en la parte inferior del enrase y fijar el enrase directamente al piso del edificio. Sin embargo, se debe seguir explícitamente todo el procedimiento, tal como se describe, salvo los detalles que se refieren al calce.

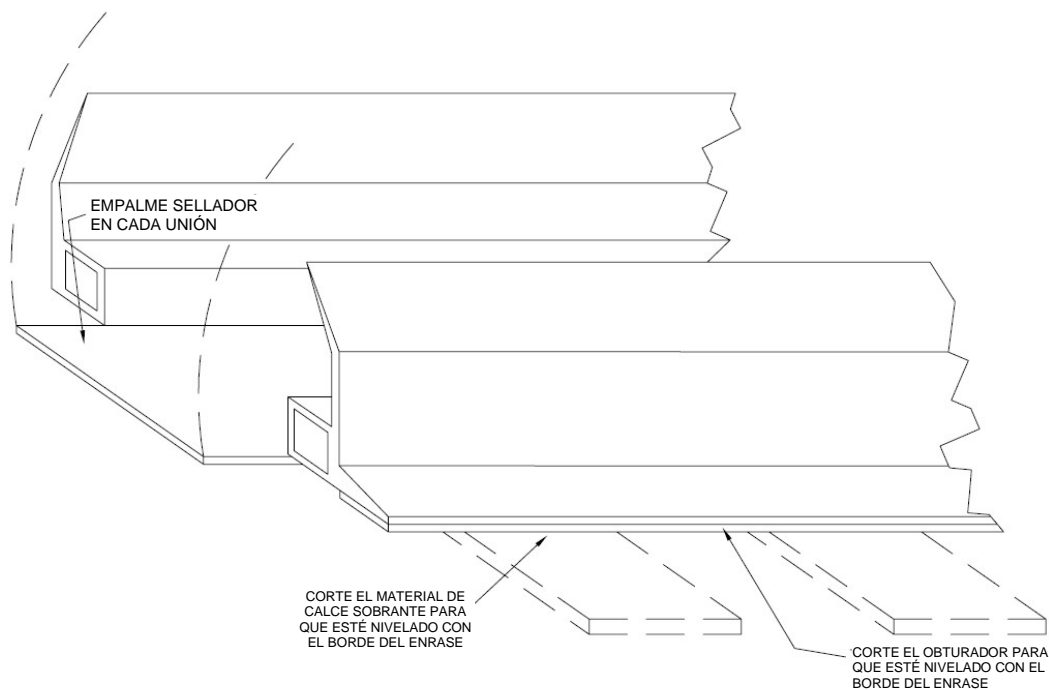


Figura 4

INSTALACIÓN DE LA CÁMARA FRIGORÍFICA

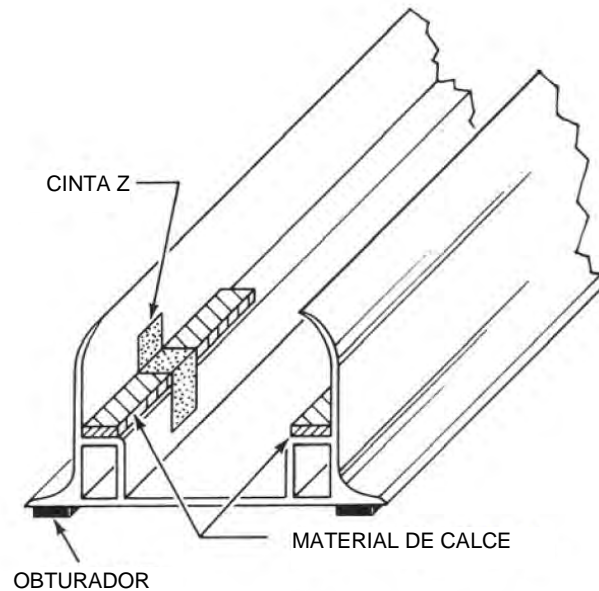


Figura 5

MÉTODO DE CALCE ALTERNATIVO PARA ENRASE DE VINILO DE 2,5 CM

Si la superficie que ocupará el enrase de vinilo está nivelada, a excepción de algún punto bajo ocasional, el enrase se puede fijar directamente al piso del edificio y los puntos bajos se pueden compensar con la instalación de calces en los rebordes de soporte en el interior del enrase.

Si usa este método, los puntos bajos se deben marcar en el piso del edificio en los alrededores del contorno dibujado para referencia. Después de sellar y fijar el enrase, se puede continuar con la nivelación con especial atención en las áreas marcadas como puntos bajos.

Frecuentemente se eligen baldosas de vinilo como material de calce y se cortan tiras (de 1,6 cm de ancho máximo), las que se colocan sobre los rebordes de soporte del enrase para proporcionar una superficie nivelada sobre la cual apoyar las secciones de las paredes. Se deben aplicar tiras de cinta adhesiva para mantener el material de calce en su lugar (Figura 5).

¡IMPORTANTE! La instalación de calces en los rebordes de soporte en el interior del enrase es ideal para irregularidades mínimas en el piso del edificio y tiene la ventaja de lograr un contacto completo entre el enrase y el piso en todo el perímetro del montaje. **SIN EMBARGO, NO SE RECOMIENDA PARA PISOS DE EDIFICIOS QUE SON EXTREMADAMENTE IRREGULARES.**

Un material de calce excesivamente grueso en los rebordes de soporte puede elevar los paneles de pared y llegar al punto de comprometer la eficacia de los rebordes de sellado del enrase superior. ¡Se debe evitar el uso de grosores de calces de más de 1,9 cm! Si elige instalar calces en los rebordes de soporte del enrase, debe seguir explícitamente todo el procedimiento, tal como se describe, para garantizar la cuadratura y nivelación de todo el montaje de enrase.

INSTALACIÓN DE LA CÁMARA FRIGORÍFICA

SELECCIÓN DEL LUGAR, PREPARACIÓN DE LA BASE CÁMARA FRIGORÍFICA O CONGELADORA SIN UN PISO INSTALADO EN SELLADORES DE ESPUMA

¡IMPORTANTE! No intente montar una cámara CONGELADORA sin piso en el piso existente de un edificio que no se haya preparado especialmente y aislado de manera adecuada para temperaturas de almacenamiento bajo cero. **Nota: Todas las roturas térmicas en la placa de piso deben estar expuestas, incluido el tabique.** Para instalar un montaje de sellador de espuma (enrase) en un piso existente o en uno debidamente preparado para congeladores, realice lo siguiente:

Ubique el diagrama de sellador de piso (enrase) incluido en la caja de herrajes y úselo como guía para dibujar un contorno de dimensiones correctas del sellador (enrase) instalado directamente en el piso del edificio, precisamente en el lugar donde se ubicará la cámara frigorífica. Estas líneas serán de las mismas dimensiones que las de la cámara frigorífica en ambas direcciones. Si la cámara frigorífica se va a instalar junto a las paredes existentes de un edificio, asegúrese de que **QUEDE UN MÍNIMO DE 5,08 CM ENTRE EL CONTORNO DIBUJADO Y LAS PAREDES DEL EDIFICIO.** Este espacio dejará un margen para las irregularidades en las paredes del edificio y permitirá que el aire fluya libremente entre las dos superficies. **CONTROLE CUIDADOSAMENTE LA CUADRATURA** y confirme que las dimensiones entre las esquinas opuestas sean iguales (Figura 1).

Debido a que el sellador de espuma (enrase) se mantiene en su posición mediante una guía para sellador de madera contrachapada de 9,5 mm de espesor, que se fijará en el piso del edificio, es fundamental que la guía para sellador también se coloque con precisión en el piso del edificio. Consulte el diagrama de guía para sellador que también se incluye en la caja de herrajes. En el diagrama, notará que la guía para sellador se ubica a 2,2 cm HACIA DENTRO del contorno dibujado que representa las dimensiones exteriores del montaje del sellador (enrase). Además, la Figura 1 ilustra que la guía para sellador tiene un ancho de 5,72 cm centrado debajo de un sellador de 10,16 cm de ancho y deja un borde de 2,2 cm a lo largo de cada borde. Dibuje otro contorno de las dimensiones exteriores de la guía para sellador directamente en el piso. Debe haber exactamente 2,2 cm entre el nuevo contorno de la guía para sellador y el contorno del sellador (enrase) previamente dibujado (Figura 2, en la siguiente página).

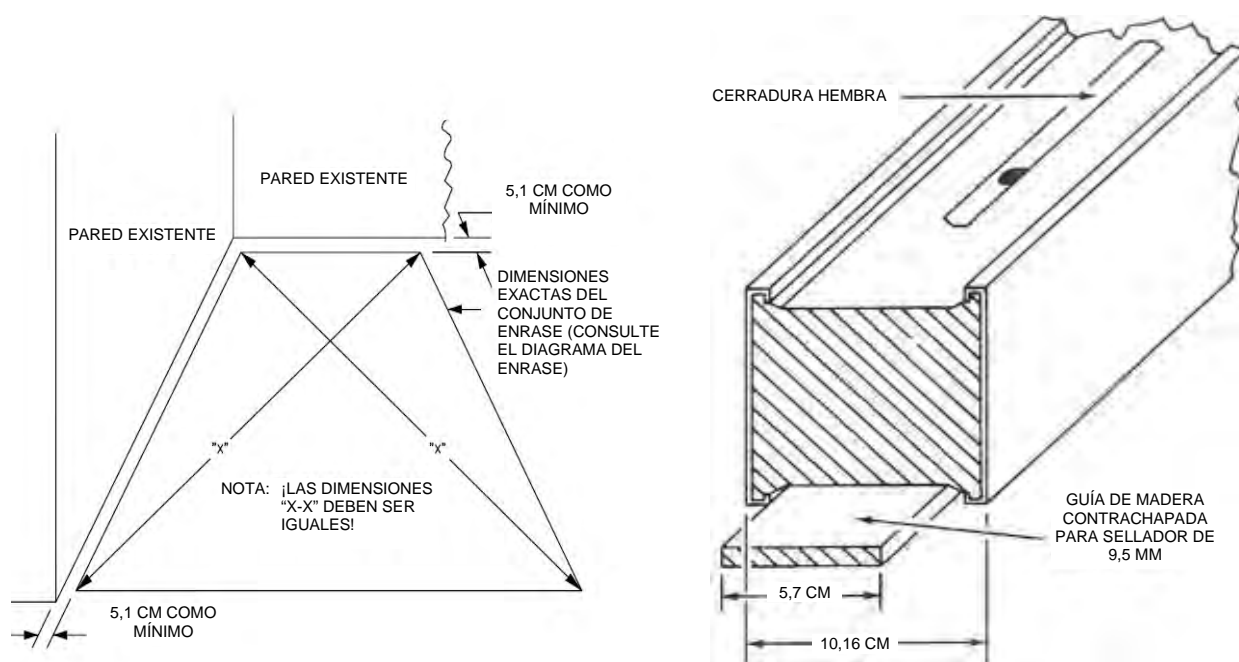


Figura 1

INSTALACIÓN DE LA CÁMARA FRIGORÍFICA

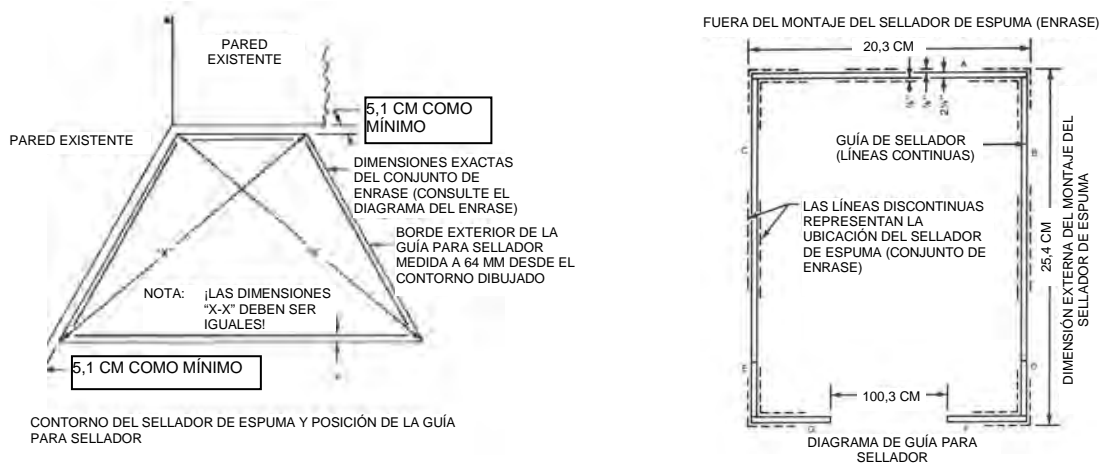


Figura 2

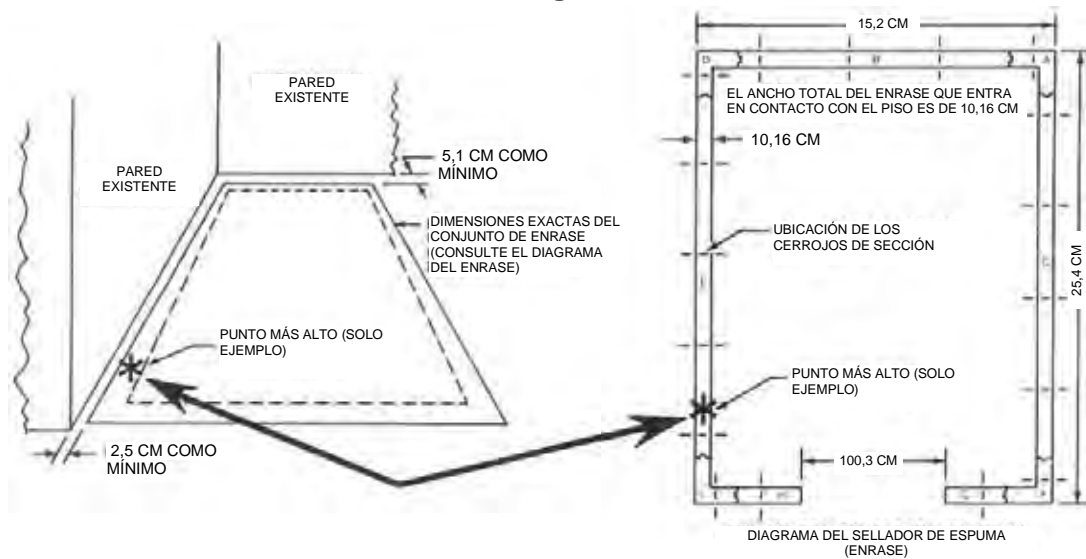


Figura 3

Uno de los procedimientos más importantes en la preparación de la base es la **NIVELACIÓN DEL SELLADOR (ENRASE)**. ¡Debe estar **PERFECTAMENTE NIVELADO!** De lo contrario, los paneles de pared seguirán las irregularidades del piso del edificio, lo que afectará directamente en los procedimientos posteriores como el enganche de los paneles, sellado de las juntas de los paneles, montaje de los paneles del techo, entre otros.

Después de completar el contorno del sellador (enrase) y la guía para sellador, como se muestra en la Figura 2, localice el punto más alto dentro del contorno en el piso donde se instalará el enrase (sellador). (Las secciones del sellador tienen un ancho de 10,16 cm). Un teodolito o nivel de topógrafo es el instrumento ideal para este propósito. Marque el punto más alto en el piso, como se ilustra en la Figura 3.

INSTALACIÓN DE LA CÁMARA FRIGORÍFICA

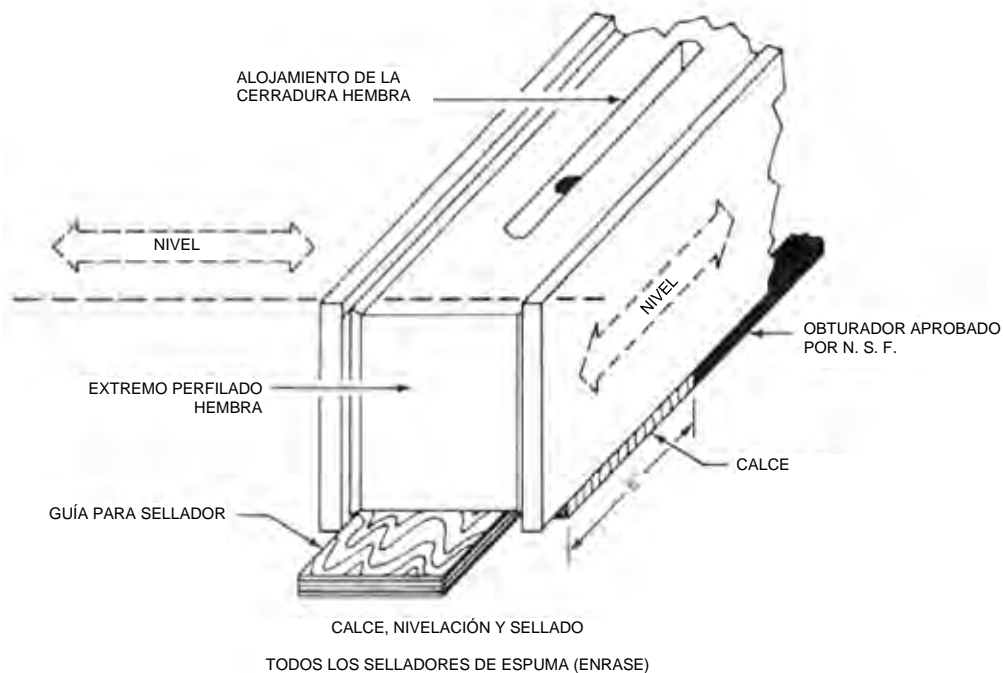


Figura 4

INSTALACIÓN DE GUÍA PARA SELLADOR

Ubique las GUÍAS PARA SELLADOR. Están agrupadas y embaladas junto con los paneles de esquina o de pared de la cámara frigorífica, con sus correspondientes etiquetas. Las guías para sellador son tiras de madera contrachapada de 9,5 mm, de 5,71 cm de ancho y 2,4 m de largo, como se muestra en la Fig. 1.

Consulte el DIAGRAMA DE GUÍA PARA SELLADOR. Ubíquelas de acuerdo al diagrama y corte las guías para que calcen.

Cuando cada guía para sellador se coloque correctamente, tendrá su borde exterior precisamente sobre el CONTORNO INTERIOR dibujado en el piso del edificio, Figura 2, y su borde exterior estará exactamente a 2,2 cm del contorno que representa el borde exterior del sellador de espuma. La calidad de la mano de obra ejecutada en la colocación y fijación de las guías para sellador se transmitirá directamente a la ubicación de los selladores de espuma (enrase) y, después, al montaje general de la cámara frigorífica completa. ¡SEA PRECISO! Consulte las Figuras 1 y 2.

Cuando todas las guías para sellador estén en su posición, realice una COMPROBACIÓN FINAL DE LA CUADRATURA y fíjelas al piso del edificio con sujetadores adecuados para la superficie. **NOTA:** Este puede ser un sujetador mecánico o un adhesivo apto para uso en construcción. Si la guía para sellador se coloca sobre un interruptor térmico de poliestireno o poliuretano, se puede utilizar un adhesivo para construcción compatible.

INSTALACIÓN DEL SELLADOR DE ESPUMA (enrase)

Consulte el DIAGRAMA DE SELLADOR DE ESPUMA. Identifique y ubique la sección de sellador que se colocará directamente sobre el punto más alto que se determinó anteriormente y que se marcó en el piso del edificio (Figura 3).

NOTA: Todos los selladores de espuma son machos formados en un extremo y hembras formadas en el extremo opuesto. La configuración de los extremos se indica claramente en el diagrama. Asimismo, asegúrese de que la parte del alojamiento de la cerradura hembra de los cerrojos de sección sea visible en el borde superior del sellador cuando esté en su posición (consulte las Figuras 1 y 2).

INSTALACIÓN DE LA CÁMARA FRIGORÍFICA

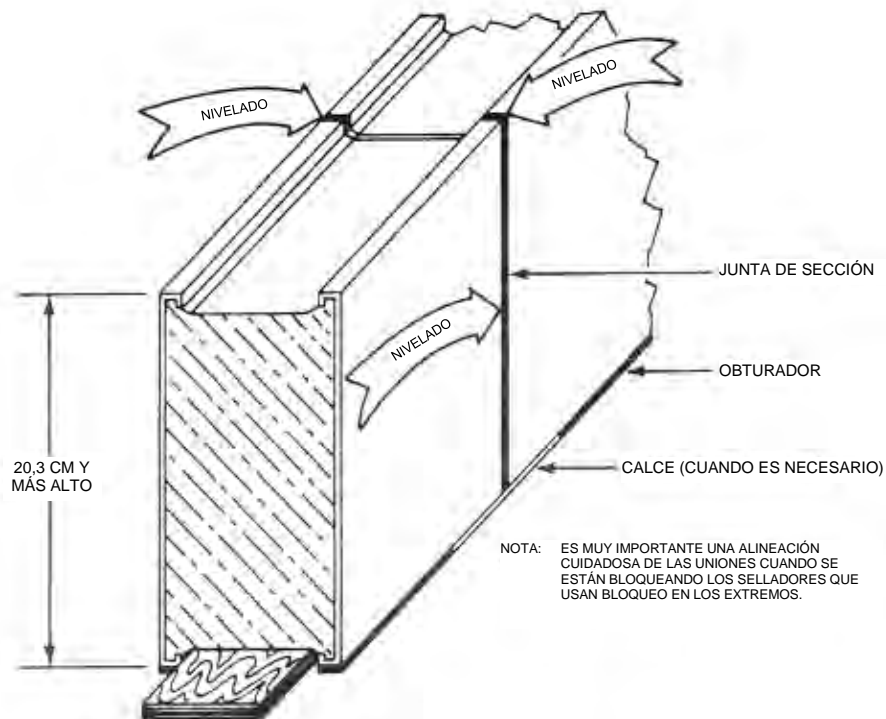


Figura 5

Después de colocar la primera sección de sellador (enrase) sobre la guía para sellador y sobre el punto más alto, se debe **NIVELAR PERFECTAMENTE** no solo a lo largo sino también a lo ancho. Es probable que para lograrlo se requiera material de calce. Las baldosas de vinilo cortadas en tiras de 2,2 cm de ancho por 15,2 cm de largo son calces ideales que se pueden colocar debajo del sellador siempre que sea necesario para obtener la nivelación.

IMPORTANTE: CADA SECCIÓN DE SELLADOR (ENRASE) DEBE APOYARSE AL MENOS CADA 70 CM EN EL PISO DEL EDIFICIO O MEDIANTE CALCES. Evite usar tiras de calce de menos de 15,2 cm de largo en lo posible (consulte la Figura 4).

Suponiendo que la primera sección de sellador (enrase) se niveló perfectamente, consulte el diagrama de sellador, seleccione una sección adyacente del sellador y nivélela con precisión en ambas direcciones, agregue calces siempre que sea necesario. **NOTA:** Las secciones de sellador (enrase) de 20,32 cm de alto o más utilizan cerrojos de sección para el bloqueo de extremo a extremo. Nivele **CUIDADOSAMENTE** los bordes superiores y las superficies interiores o exteriores de las secciones de sellador adyacentes, mientras las bloquea conjuntamente (Figura 5). Siga nivelando el resto de las secciones de sellador hasta que todo el montaje esté en posición.

Cuando todo el montaje de sellador esté nivelado, aplique un obturador con aprobación de NSF para obtener una obturación al paso de gases entre el borde inferior del sellador y el piso del edificio. Este obturador se proporciona en la caja de herrajes. El obturador se debe aplicar en las superficies interiores y exteriores del montaje de sellador (enrase). Asegúrese de que el obturador produzca un sellado completo, hermético y sin separaciones, y de que se tenga un cuidado especial para sellar adecuadamente el material de calce.

Después de que el obturador se haya endurecido, recorte todo el material sobrante a ras con los bordes del montaje de sellador (enrase) y retoque las áreas en las que el obturador no logre un sellado perfecto (Figura 5).

INSTALACIÓN DE LA CÁMARA FRIGORÍFICA

INSTALACIÓN DE LA CÁMARA FRIGORÍFICA MONTAJE DE LOS PANELES DE PARED Y TECHO

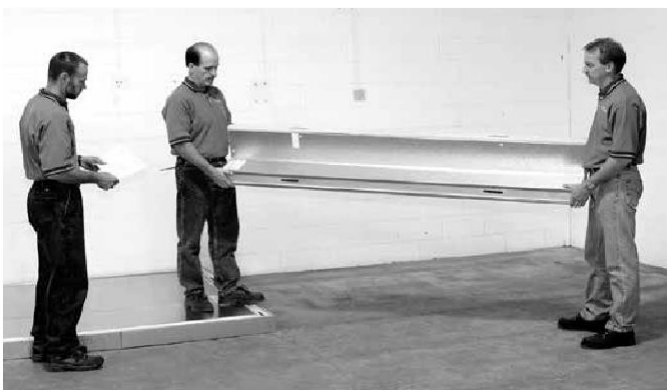
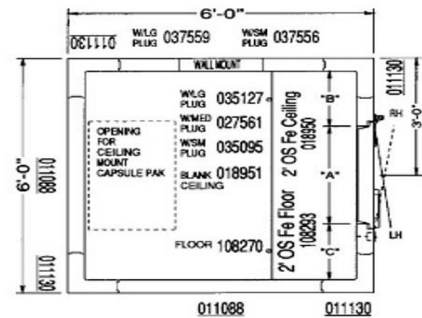
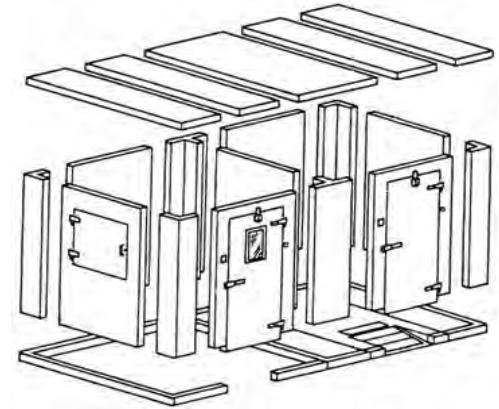
Las siguientes instrucciones de instalación se aplican a cualquier cámara frigorífica o cámara congeladora donde los paneles de pared se apoyen en paneles de piso de espuma de la cámara o en un montaje de sellador de piso (enrase), que se hayan colocado con precisión y estén debidamente nivelados. **NOTA:** El procedimiento para montar los paneles de pared y techo es idéntico en todos los casos. **NOTA:** Las paredes no se fijan en selladores de vinilo, pero si se fijarán en selladores de espuma cuando se usen.

Para facilitar el proceso de montaje, el plano de piso proporcionado con su cámara frigorífica tiene números de pieza indicados para cada sección de pared, esquina, techo y piso. Haga coincidir el número de pieza del plano de piso con la etiqueta en el interior de cada panel para determinar la ubicación de cada uno de estos.

Observe también que los orificios de acceso de los cerrojos de sección en el borde vertical del panel siempre están en el interior del panel.

Seleccione el primer panel que se va a instalar; por lo general se comienza con un PANEL DE ESQUINA. Observe que el panel tiene una etiqueta que dice "Top" (Arriba) junto con el número de pieza, que indica que cuando el panel esté en su posición correcta, el extremo etiquetado quedará hacia arriba.

Coloque el panel de esquina en la ubicación adecuada en el montaje de enrase de vinilo o piso de la cámara y, SI LA CÁMARA TIENE PISO, nivele el panel de esquina con la esquina del panel de piso en ambas direcciones y fíjelo firmemente al panel de piso



INSTALACIÓN DE LA CÁMARA FRIGORÍFICA

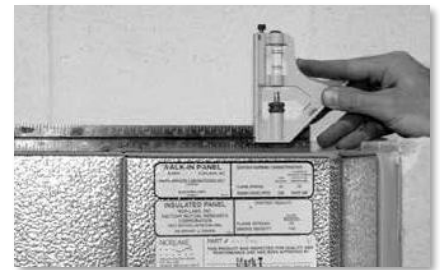
Si el primer panel de esquina se apoya en un sellador de vinilo de 25 mm (enrase), solicite ayuda para sostener dicho panel en posición vertical hasta instalar los siguientes paneles de pared. Los paneles de esquina y pared no se fijan en el sellador de vinilo (enrase).

Seleccione el siguiente panel como se indica en el plano de piso y colóquelo en el piso o sellador (enrase) lo más cerca posible del primer panel instalado, para que se pueda enganchar el cerrojo de sección.



Asegúrese de que los dos paneles estén correctamente alineados en el BORDE SUPERIOR y que la UNIÓN VERTICAL de estos paneles esté bien nivelada, y gire los cerrojos de sección en el borde vertical del panel hasta que estén completamente enganchados.

¡IMPORTANTE! Confirme que los bordes superiores de los paneles adyacentes estén perfectamente alineados.



Correcto

Si existe desalineación, basta con que levante el borde más bajo del panel mientras se bloquea para alinearlos y, cuando todos los cerrojos estén enganchados, deje que los paneles bloqueados vuelvan a su posición normal en el piso de la cámara o sellador (enrase).

¡NO TOME ATAJOS! TÓMESE EL TIEMPO SUFICIENTE PARA ALINEAR CORRECTAMENTE TODAS LAS SECCIONES.

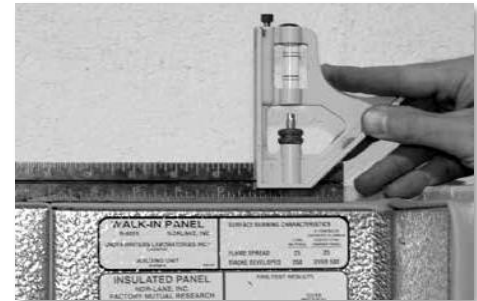


Desalineación

INSTALACIÓN DE LA CÁMARA FRIGORÍFICA

A medida que monta cada panel de pared o de esquina y que estos se fijan en un panel adyacente a lo largo de la unión vertical, enganche los cerrojos de sección en los paneles de piso con la llave hexagonal de bloqueo SOLO 1/4 DE VUELTA HACIA LA DERECHA.

Asegúrese de que el panel de pared o de esquina esté correctamente alineado con el panel de piso o con el sellador de espuma antes de enganchar los cerrojos de sección.



Continúe el montaje de los paneles de acuerdo con los números de pieza que se muestran en el plano de piso y siga explícitamente la técnica descrita para la alineación de los paneles.

Los PANELES DE TECHO se montarán en intervalos específicos para facilitar la instalación. El montaje intermitente de los paneles de techo se programa para permitir que estos sirvan como elementos de soporte entre paredes opuestas a medida que avanza la instalación.

¡PRECAUCIÓN! ¡NO DESLICE LOS PANELES DE TECHO A SU POSICIÓN! Levante la sección de techo de la sección de pared mientras la coloca en su posición para evitar daños en la junta.

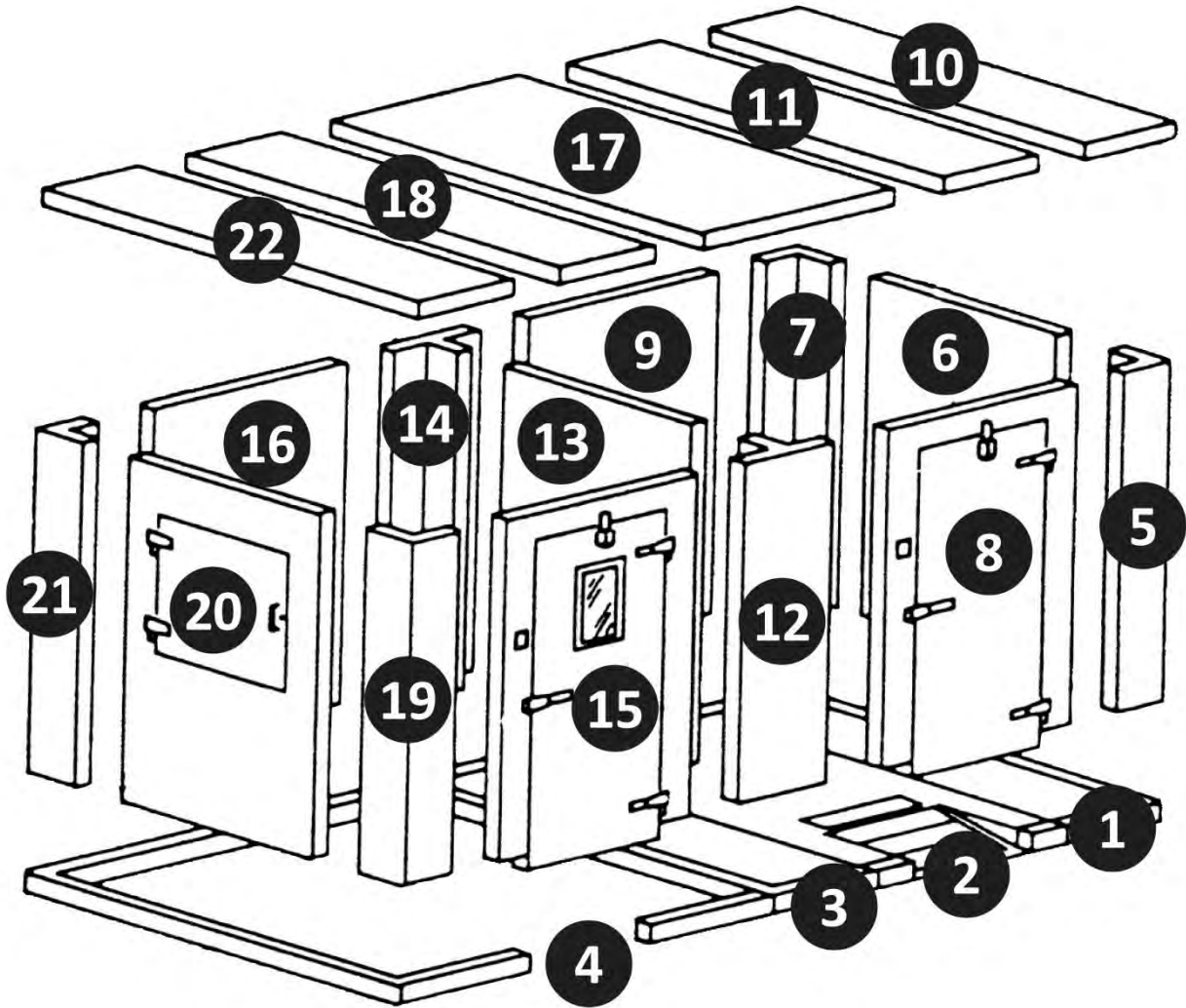
Cuando los paneles de techo adyacentes estén en su posición, ajuste los bordes exteriores para que estén perfectamente a ras con los demás y con los paneles de pared que están justo debajo de ellos. Fije firmemente los paneles de techo entre sí. NO FIJE los paneles de techo en los paneles de pared en este momento.

NOTA: Si las condiciones locales, como las paredes existentes del edificio, dificultan la alineación entre sí de los paneles de techo desde el exterior, coloque una escalera de mano cerca de las paredes interiores para inspeccionar visualmente la alineación y ajustar según sea necesario.



INSTALACIÓN DE LA CÁMARA FRIGORÍFICA

ORDEN DE INSTALACIÓN DEL PANEL



INSTALACIÓN DE LA CÁMARA FRIGORÍFICA

PUERTA Y SECCIÓN DE LA PUERTA

Una puerta o sección de la puerta estándar consta básicamente de un único panel de pared que contiene una puerta de entrada y distintos accesorios. Los componentes eléctricos incluidos en este panel vienen precableados de fábrica. Estos incluyen el calentador de apertura de la puerta anticorrosión, la luz piloto y el interruptor y una luz interior a prueba de vapor.

La puerta fue instalada en fábrica sobre el marco del panel de la puerta, y su cuadratura y su correcta operación se verificaron en condiciones controladas.

¡PRECAUCIÓN! Cuando instale la puerta o la sección de la puerta, debe tener extremo cuidado de no torcer el panel o manipular el conjunto de tal modo que pierda la cuadratura cuando se vaya a instalar. La característica autocerrante, la operación de cerrado de la puerta y un sellado perfecto de las juntas: todo esto depende en gran medida de la CUADRATURA y la VERTICALIDAD de la puerta o la sección de la puerta.

Una vez que todos los paneles de paredes y puerta estén montados y trabados firmemente entre sí, los paneles de techo estén colocados sobre los paneles de paredes y los paneles de paredes estén trabados firmemente entre sí, vuelva a verificar la posición de los paneles de techo con respecto a los paneles de paredes.

Ahora trabe firmemente todos los paneles de techo a los paneles de paredes.

Vuelva a comprobar la posición de los paneles de paredes con respecto a los paneles de piso y trábelos juntos firmemente.

NOTA: Cuando se use un sellador de piso (enrase) de vinilo de 2,5 cm, no se necesita adherir a los paneles de paredes.



Cámara frigorífica con piso armada



Cámara frigorífica con piso armada; se muestra con sellador de piso vinilo

INSTALACIÓN DE LA CÁMARA FRIGORÍFICA

NOTA: Si por alguna razón, las condiciones en el lugar no permiten la instalación de las paredes y techo en el orden recomendado, instale los paneles de paredes y de techo en una secuencia lógica que permita la accesibilidad para la instalación del último panel. Recuerde programar la instalación de los paneles de techo en los intervalos correctos para que sirvan como tirantes de sostén entre los paneles de paredes ya instalados.

Coloque los botones obturadores que están en la bolsa de herrajes y, después de haber comprobado que la llave hexagonal llegó a un punto final en cada cerrojo de sección, inserte un botón obturador en cada agujero de acceso al cerrojo.



RIOSTRAS DE SOSTÉN

En la mayoría de las cámaras frigoríficas sin piso, la puerta o la sección de la puerta estarán equipadas con riostras de sostén, una en cada miembro del marco vertical interior. Estas riostras requerirán anclaje al piso del edificio.

Su propósito es colocar positivamente las extremidades inferiores de los marcos de puerta y prevenir cualquier movimiento que pueda ocurrir en el punto donde el marco de la puerta descansa sobre el sellador de piso (enrase). Cuando se provean selladores de piso de vinilo de 2,5 cm, se les hará una muesca para acomodar la ubicación de la riostra de sostén.



Los agujeros oblongos en la pata vertical de la riostra de sostén permiten el ajuste en cualquier dirección para facilitar que la riostra de sostén entre en contacto con el piso del edificio de manera adecuada. Los sujetadores adecuados para asegurar las riostras de sostén al piso de hormigón de un edificio están en una bolsa y adheridos a una de las riostras de sostén. Para otros tipos de pisos de edificios, los mecanismos de sujeción adecuados deben proveerlos otros distribuidores.

¡IMPORTANTE! Asegúrese de que la puerta o la sección de la puerta esté **PERFECTAMENTE VERTICAL** antes de fijar las riostras de sostén al piso. Los agujeros en la riostra de sostén para adherir al piso del edificio se han redondeado a propósito, para que no se corra ninguna pieza después de haberse fijado. Asegúrese de que las riostras de sostén se hayan fijado al piso del edificio.



El tamaño de agujero recomendado para el sistema PARABOLT ANCHOR es de 9,5 mm X 5,7 cm.



Instale el anclaje



Fije la riostra de sostén con el sujetador provisto

INSTALACIÓN DE LA CÁMARA FRIGORÍFICA

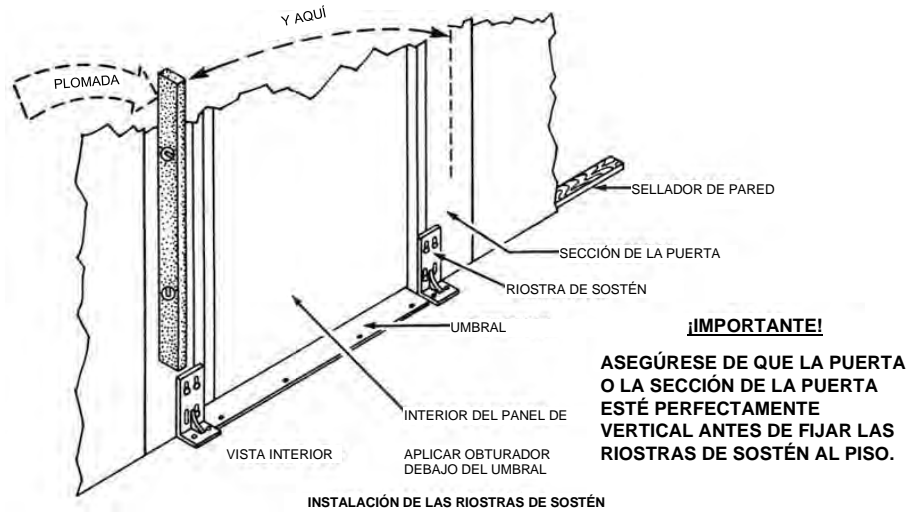


Figura 11

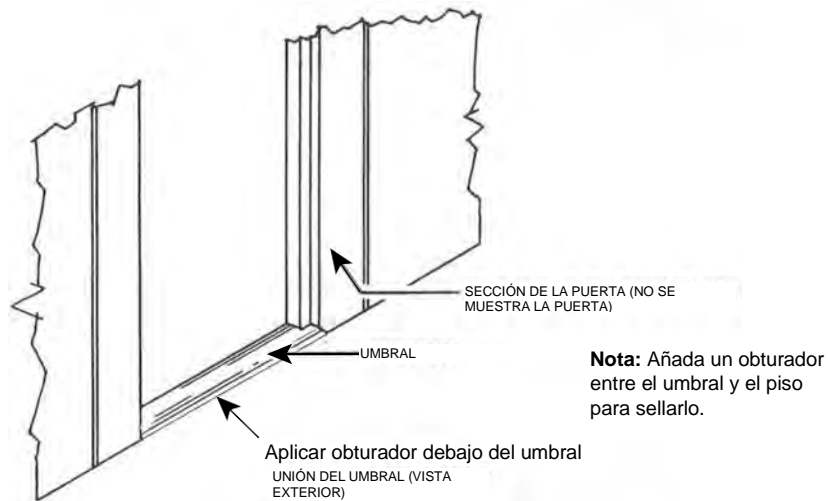


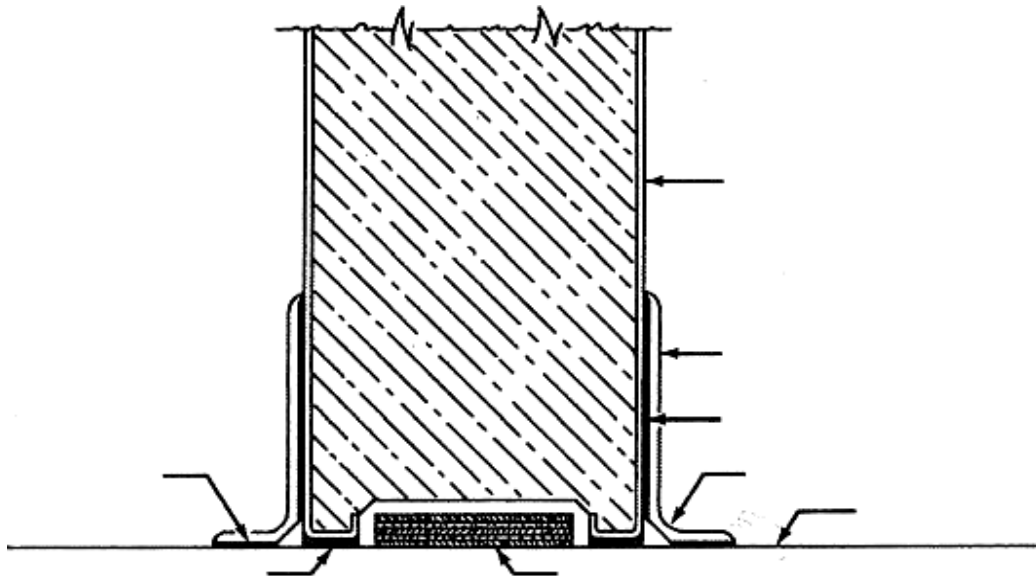
Figura 12

FIJACIÓN DEL UMBRAL

El umbral se fijó en fábrica a la parte inferior de la sección de la puerta y está ubicado de tal modo que no necesita ajustes. Sin embargo, debe fijarse al piso del edificio para finalizar la instalación.

¡IMPORTANTE! Asegúrese de que las riostras de sostén se hayan instalado firmemente a la sección de la puerta y al piso del edificio antes de fijar el umbral al piso del edificio. Ambos bordes del umbral deben fijarse con los sujetadores adecuados para el piso del edificio y, dado que las superficies de los pisos varían tanto en su composición, no se proporcionan sujetadores, los que deben obtener otros proveedores (Figura 12).

INSTALACIÓN DE LA CÁMARA FRIGORÍFICA



MOLDURA CÓNCAVA APLICADA A UN PANEL DE PARED CON EXTREMO INFERIOR HEMBRA

Figura 13

SELLADO DE LAS UNIONES DE LAS PAREDES AL PISO DEL EDIFICIO

Aplique una abundante cantidad de obturador aprobado por NSF para obtener una obturación al paso de gases entre el borde inferior de todos los paneles de paredes, de esquinas, de puerta y de tabiques y el piso del edificio. El obturador debe aplicarse tanto en los bordes interiores como en los exteriores de todas las paredes del perímetro y a ambos bordes de los tabiques donde estas se topan con el piso del edificio. Asegúrese de que el obturador produzca un sellado continuo y hermético sin espacios y tenga especial cuidado para sellar alrededor del material de calce.

Después de que el obturador haya fraguado, quite todo el exceso de obturador hasta dejarlo al ras con los bordes de las paredes. Retoque cualquiera de las áreas donde el obturador no haga un sellado perfecto (Figura 8).

MOLDURA CÓNCAVA

Para cumplir con los requisitos de la Norma N.º 7 de National Sanitation Foundation (NSF), se debe aplicar una moldura cóncava con un radio mínimo de 6,4 mm para cubrir la unión de las paredes de la cámara frigorífica y el piso del edificio. Para los modelos con piso, se requieren molduras cóncavas solo en las paredes exteriores.

La moldura cóncava y el adhesivo para la aplicación no se proporcionan normalmente. Se pueden conseguir fácilmente en la mayoría de los proveedores de materiales de construcción.

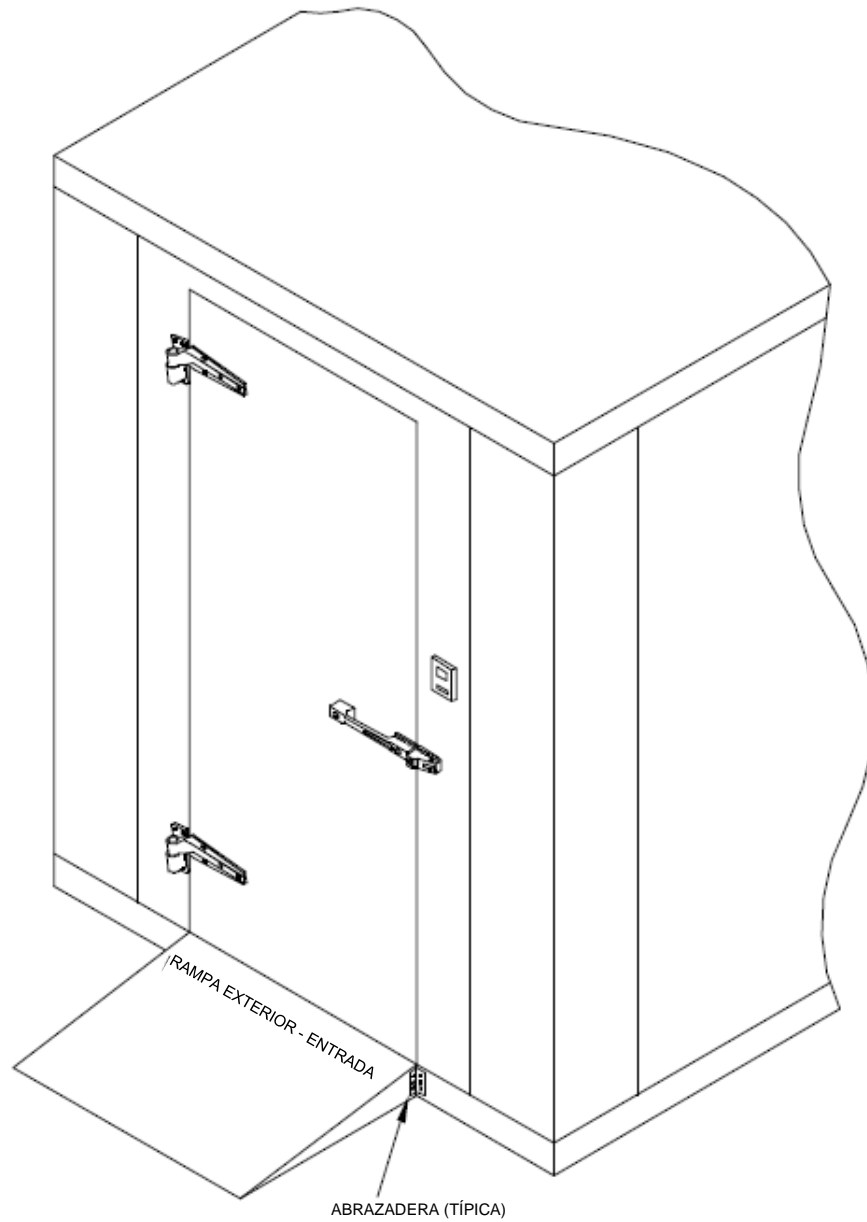
Antes de aplicar la moldura cóncava, haga una inspección final del área que se cubrirá con la moldura para asegurarse de que el obturador esté intacto y haga una perfecta obturación al paso de gases. Si no es así, agregue obturador según sea necesario. Lea y siga las instrucciones preparadas por el fabricante de la moldura cóncava y el adhesivo antes de proceder con la instalación (Figura 13).

Si usa mortero y baldosas como material de piso y si proyecta que la base de las baldosas producirá la cala requerida, asegúrese de que el radio interior de las baldosas de base sea de por lo menos 6,4 mm.

INSTALACIÓN DE LA CÁMARA FRIGORÍFICA

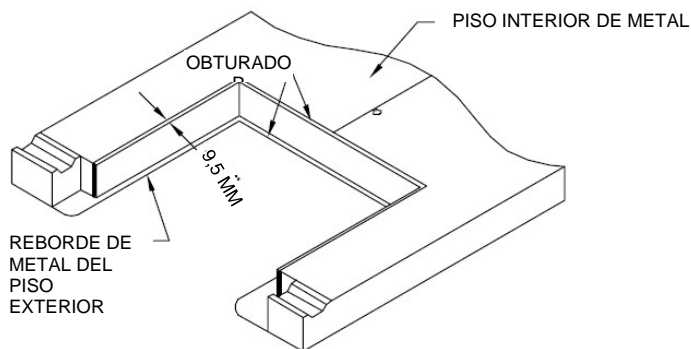
INSTRUCCIONES DE INSTALACIÓN DE LA RAMPA EXTERIOR

Rampa central frente a la apertura de la puerta. Luego, con el ángulo de 3,8 cm x 3,8 cm x 8,9 cm y los tornillos provistos, fije la rampa a la cámara frigorífica, como muestra la siguiente ilustración.



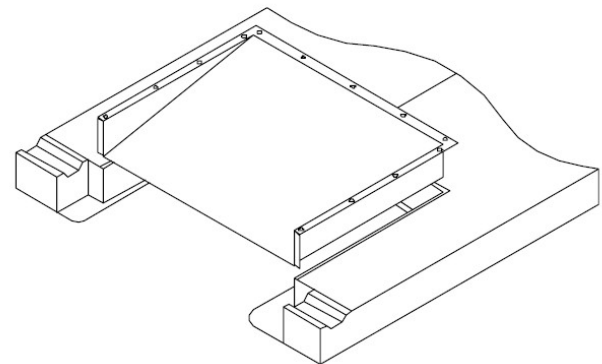
INSTALACIÓN DE LA CÁMARA FRIGORÍFICA

INSTRUCCIONES DE INSTALACIÓN DE LA RAMPA INTERIOR



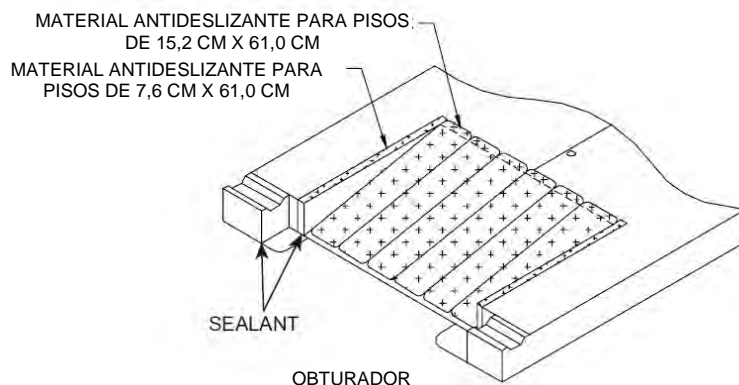
Paso 1

Después de que las secciones de piso estén en su lugar y totalmente trabadas entre sí, aplique un reborde de aproximadamente 3,2 mm de obturador al metal interior, 9,5 mm desde el corte de la rampa. También aplique un reborde de aproximadamente 3,2 mm de obturador al centro del borde exterior de metal.



Paso 2

Coloque la rampa en posición, alinee los agujeros previamente taladrados en la rampa con los agujeros previamente taladrados en el piso interior y luego fije la rampa al piso con los tornillos N.º 8 x 1/2" provistos.



Paso 3

Instale el material antideslizante para pisos. Se aplican tiras de cinta antideslizante de 15,2 cm x 61,0 cm para cubrir la rampa y el borde posterior de la rampa hacia los paneles de piso. Se aplican tiras de cinta antideslizante de 7,6 cm x 61,0 cm para cubrir los bordes laterales de la rampa hacia los paneles de piso.

Aplique obturador donde la sección de la puerta se une con el interior y el exterior del panel de piso y la rampa. También aplique obturador debajo del umbral de la puerta.

INSTALACIÓN DE LA CÁMARA FRIGORÍFICA

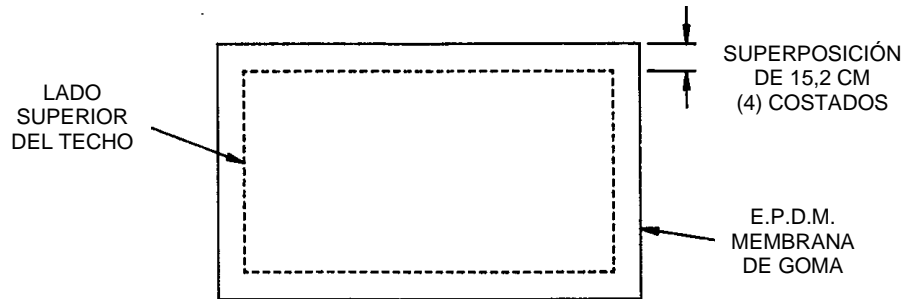
INSTRUCCIONES DE INSTALACIÓN DE TEJADO DE MEMBRANA

NOTA IMPORTANTE:

SI ESTA CÁMARA FRIGORÍFICA INCLUYE SISTEMAS DE REFRIGERACIÓN CAPSULE-PAK™ DE MONTAJE EN TECHO, CONSULTE EL MANUAL DE INSTALACIÓN DEL SISTEMA DE REFRIGERACIÓN CAPSULE-PAK™. ASIMISMO, ASEGÚRESE DE QUE LA SERPENTINA SE CUELQUE CORRECTAMENTE SEGÚN LAS INSTRUCCIONES DEL MANUAL DE REFRIGERACIÓN ANTES DE INSTALAR LA MEMBRANA.

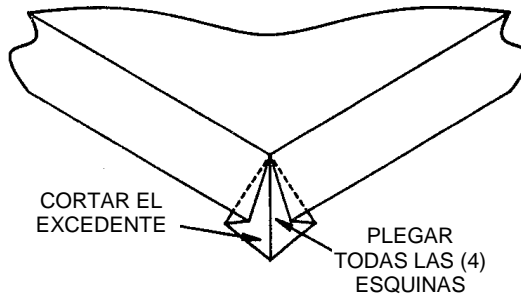
Paso 1

Después de que la cámara frigorífica está completamente instalada, coloque goma E.P.D.M. sobre el lado superior del techo y ajústela hasta que se superpongan 15,2 cm en los cuatro costados.



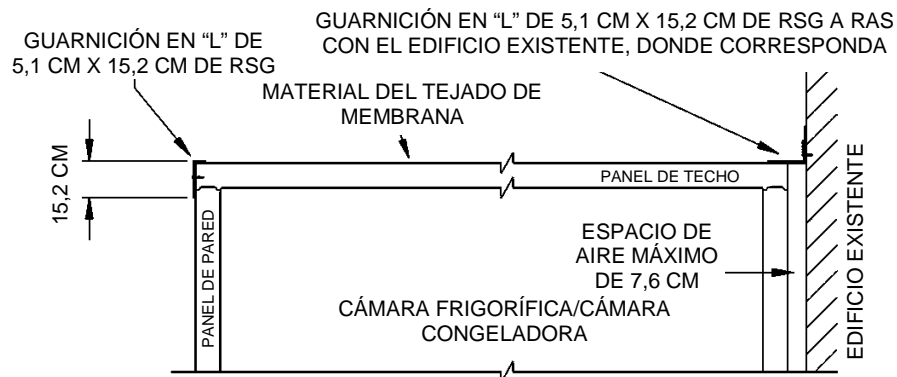
Paso 2

Pliegue las cuatro esquinas, tal como se muestra a continuación.



Paso 3

Fije la guarnición, campana de refrigeración y campana de puerta con los tornillos para láminas de metal que se incluyen. En algunos modelos, quizás se tenga que cortar la guarnición para que calce.



Paso 4

Corte todo el excedente de la membrana de goma desde debajo de la guarnición de aluminio y las cubiertas con un cuchillo multiuso. Tenga cuidado de no rayar la superficie de los paneles con el cuchillo.

INSTALACIÓN DE LA CÁMARA FRIGORÍFICA

Conexiones eléctricas

CÁMARA FRIGORÍFICA O CÁMARA CONGELADORA CON UNA SOLA LUZ INTERIOR MONTADA EN LA SECCIÓN DE LA PUERTA

PRECAUCIÓN: ¡LAS CONEXIONES ELÉCTRICAS DE LA CÁMARA DEBEN CUMPLIR CON LAS SECCIONES APLICABLES DEL CÓDIGO NACIONAL ELÉCTRICO Y DE OTROS CÓDIGOS ELÉCTRICOS QUE PUEDAN TENER JURISDICCIÓN SOBRE LA INSTALACIÓN!

Se recomienda un circuito de suministro de electricidad exclusivo para la cámara.

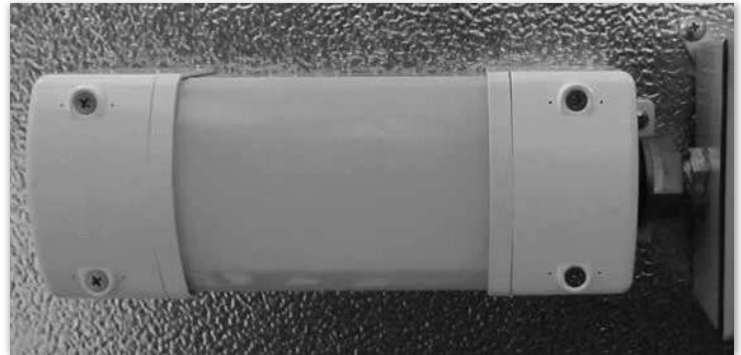
¡ADVERTENCIA! DESCONECTE EL CIRCUITO DE SUMINISTRO DE ELECTRICIDAD SELECCIONADO PARA AGREGAR UNA ETIQUETA AL INTERRUPTOR DE DESCONEXIÓN QUE INDIQUE QUE EL CIRCUITO NO SE DEBE ACTIVAR MIENTRAS ALGUIEN SE ENCUENTRE TRABAJANDO EN LA LÍNEA.

CABLEADO

El panel de la puerta de la cámara frigorífica o la cámara congeladora, contiene varios componentes eléctricos que fueron precableados en fábrica. Estos incluyen el calentador anticondensación de apertura de la puerta, la luz piloto e interruptor y la luz LED interior montada sobre el panel de la puerta. **NOTA:**

Es responsabilidad del contratista eléctrico proveer el material de cableado necesario, conexiones, conductos y accesorios para realizar el acoplamiento.

La caja de empalmes adyacente a la lámpara contiene los cables conductores que se están precableados a los componentes eléctricos en la sección de la puerta. Haga sus conexiones eléctricas aquí.



Pegada en el interior de la sección de la puerta se halla una etiqueta que describe las características eléctricas y el consumo de energía expresado en vatios y amperios.

INSTALACIÓN DE LA CÁMARA FRIGORÍFICA

¡IMPORTANTE! Cuando se hayan realizado todas las conexiones de cables en la caja de empalmes ubicada en la parte superior de la sección del techo, asegúrese de **SELLAR TOTALMENTE** los accesorios de conductos a través de los cuales el cableado llega a la caja de empalmes. El obturador de silicona provisto es adecuado para este propósito. Si no lo hace correctamente, se podrá acumular humedad dentro de la caja de empalmes y los dispositivos eléctricos, lo que crea riesgo de un cortocircuito.

UBICACIÓN DEL BULBO SENSOR DEL TERMÓMETRO

Para controlar convenientemente la temperatura del compartimiento de almacenamiento de esta cámara frigorífica, se instaló un termómetro de lectura remota en la sección de la puerta a nivel de la vista. Es un montaje de panel a ras con pantalla de luz LED.



Para una precisión óptima, el bulbo sensor debe estar expuesto al aire que se está controlando. Asegúrese de que el bulbo sensor no esté ubicado cerca de la luz interior ni de ningún otro dispositivo que produzca calor; tampoco debe estar ubicado donde haya productos almacenados que se interpongan entre el bulbo sensor y el patrón de circulación de aire de la cámara. El conductor sensor largo ofrece un lugar ideal para ubicar el bulbo sensor en la superficie interior de la sección de la puerta o un panel de pared o esquina adyacente. Cuando la ubicación haya finalizado, se usa una grapa adhesiva plástica para asegurar el bulbo sensor a esa superficie.

Para evitar un posible daño al calentador de apertura de puerta o al globo protector de la luz interior, **NO CONECTE ENERGÍA** a la puerta o a la sección de la puerta hasta que la temperatura interior se haya reducido al rango normal operativo por refrigeración. En la sección de la puerta hay una etiqueta de precaución cerca de la luz a prueba de vapor a modo de recordatorio.



PUERTO DE ALIVIO DE PRESIÓN

Si se suministra un puerto de alivio de presión, conéctelo a un suministro eléctrico de 115/60/1 V CA.

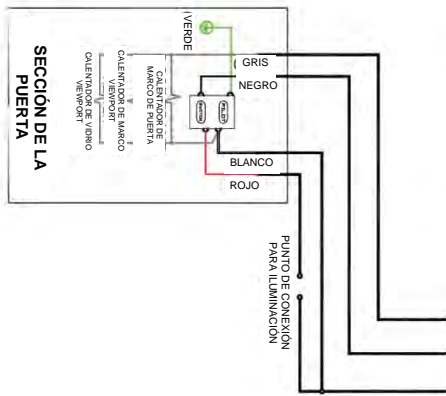


DIAGRAMA DE CABLEADO: Diagrama de cableado que muestra los componentes eléctricos contenidos en los circuitos de la puerta o la sección de la puerta como se muestra. Siempre consulte el diagrama de cableado si es necesario reemplazar alguno de los componentes.

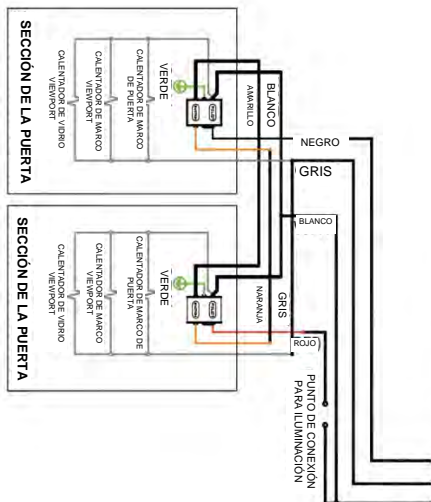
INSTALACIÓN DE LA CÁMARA FRIGORÍFICA

CABLEADO DE LA SECCIÓN DE PUERTA CIENTÍFICA

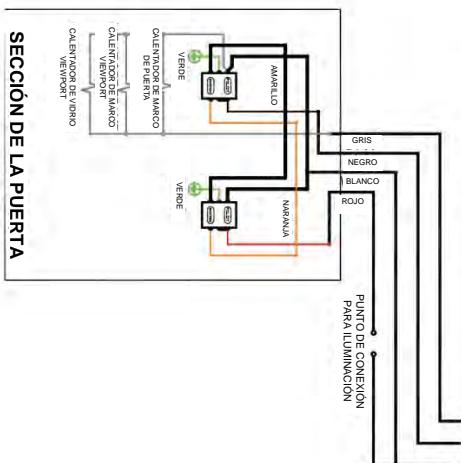
PUERTA SIMPLE ESTÁNDAR
(SOLO INTERRUPTOR
EXTERIOR)



2 PUERTAS ESTÁNDAR (SOLO
INTERRUPTORES EXTERIORES)

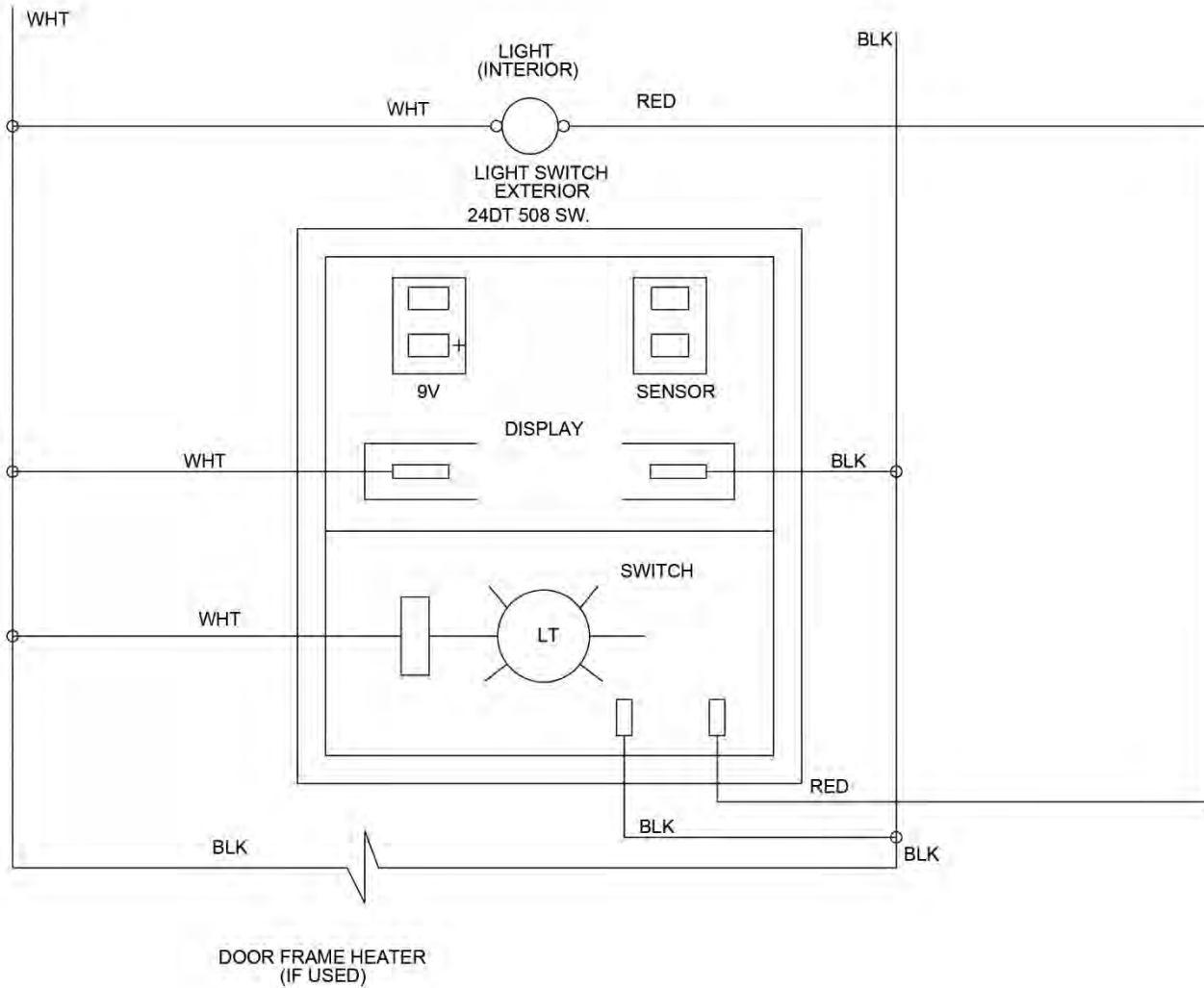


PUERTA SIMPLE ESTÁNDAR CON
INTERRUPTORES EXTERIORES E
INTERIORES



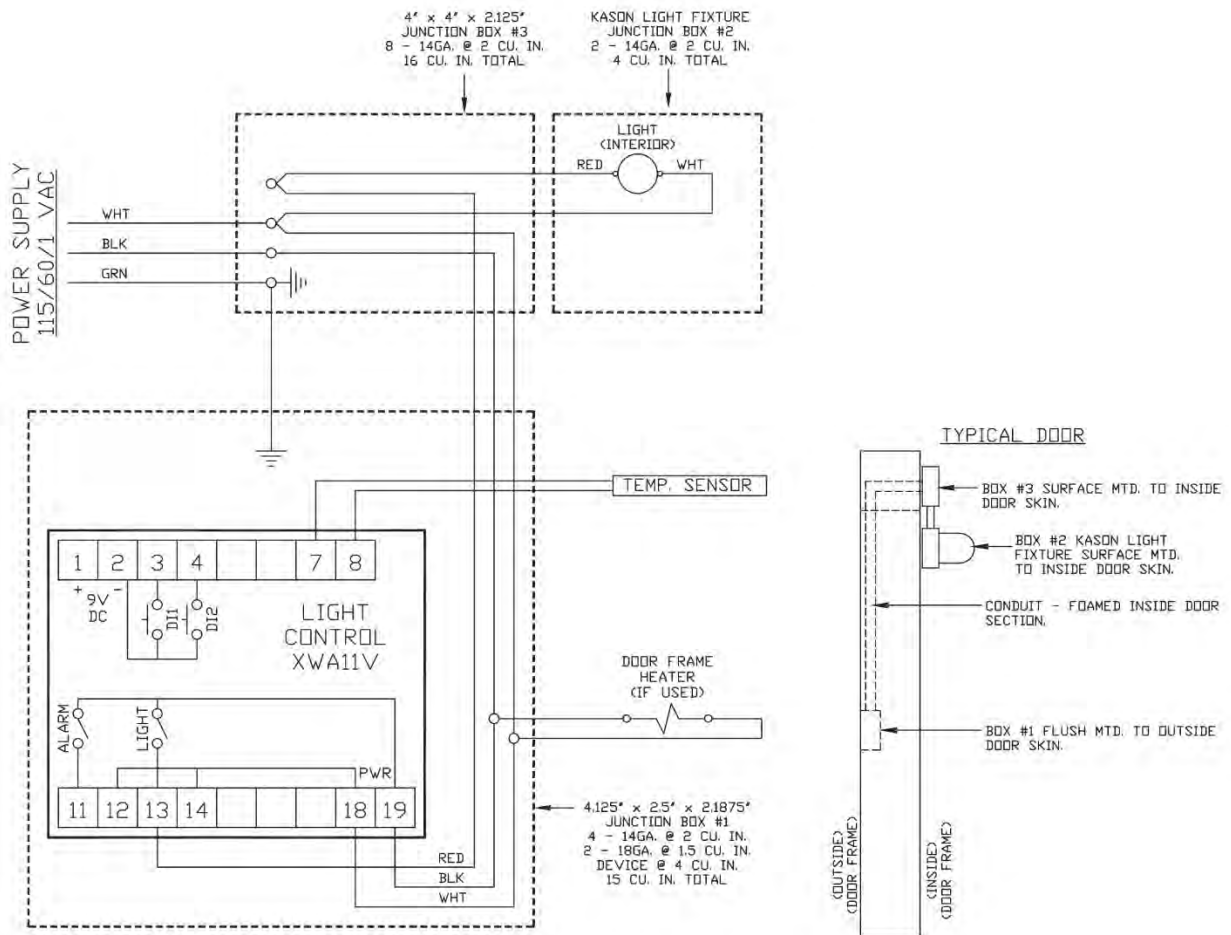
INSTALACIÓN DE LA CÁMARA FRIGORÍFICA

DIAGRAMA DE CABLEADO DE INTERRUPTOR DE LUZ NL508



INSTALACIÓN DE LA CÁMARA FRIGORÍFICA

DIAGRAMA DE CABLEADO DE INTERRUPTOR DE LUZ NL708 O MBWA-1



MANTENIMIENTO DE LA CÁMARA FRIGORÍFICA

AJUSTE DE LA BISAGRA DE LA PUERTA EN CÁMARAS FRIGORÍFICAS NORLAKE

Las puertas de la cámara frigorífica RSG de 66,0 cm, 76,2 cm y 91,4 cm de ancho se entregan con bisagra ajustable. La bisagra ajustable permite encuadrar una puerta dentro de la jamba.

Si necesita ajustar una puerta:

Abra la puerta y encontrará un pequeño botón obturador de cromo, al borde de la puerta detrás de la bisagra superior. Antes de cualquier ajuste, debe aflojar ligeramente los tornillos en la bisagra de la puerta. Luego quite el botón obturador de cromo. Ahora puede acceder al tornillo de ajuste. Haga solo ajustes menores y luego cierre la puerta y vea si el ajuste rectificó la situación. Cuando haya terminado, reemplace el tapón de cromo y vuelva a ajustar los tornillos en la bisagra.

NOTA: En puertas con placa metálica en la parte inferior es probable que tenga que recurrir a una (tercera) bisagra central. En este caso, hay una segunda bisagra ajustable. Necesitará aflojar los tornillos tanto en las bisagras de arriba como en las del centro y hacer ajustes menores en ambas áreas.

AJUSTE DE LA BISAGRA DE LA PUERTA EN CÁMARAS FRIGORÍFICAS MASTER-BILT

- Coloque cuñas bajo la puerta (consulte la figura 1 a continuación).
- Si ajustará la puerta, suelte, pero no retire, los tornillos que fijan la hoja de la bisagra a la puerta (consulte la figura 2 a continuación para conocer la ubicación de los tornillos).
- Si reemplazará las bisagras, retire los tornillos de la hoja de la bisagra.
- Coloque cuñas bajo la puerta según sea necesario para crear un espacio de 6,4 mm entre la parte superior de la puerta y el marco de la puerta para garantizar un encaje cuadrado (consulte la figura 1).
- Apriete o vuelva a instalar los tornillos que fijan la hoja de la bisagra a la puerta.
- Después de ajustar o reemplazar las bisagras, retire las cuñas y revise periódicamente el espacio en la parte superior de la puerta para verificar la alineación adecuada.

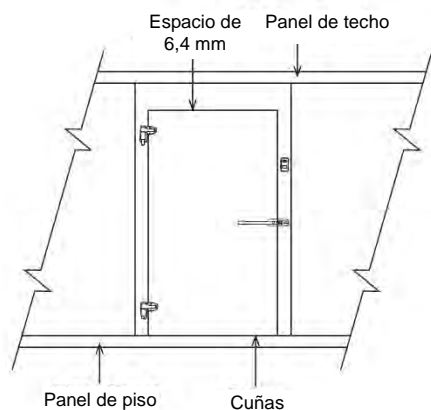


Figura 1

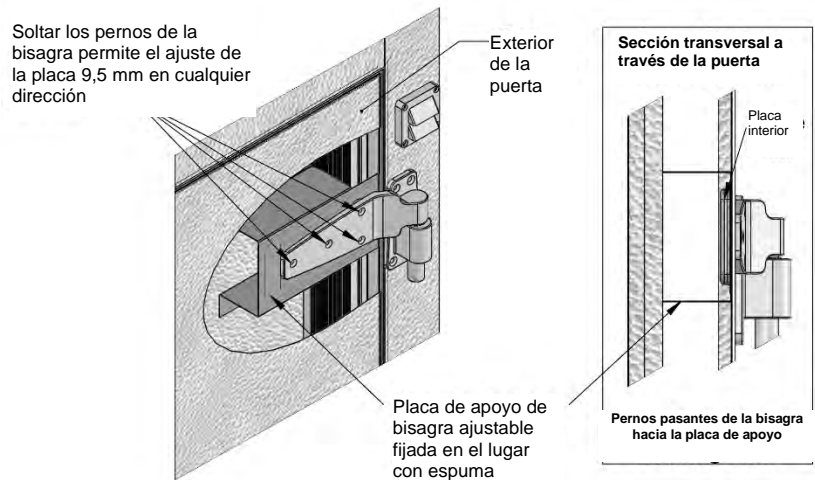


Figura 2

MANTENIMIENTO DE LA CÁMARA FRIGORÍFICA

REEMPLAZO DEL CONJUNTO DE JUNTAS MAGNÉTICAS DE LA PUERTA

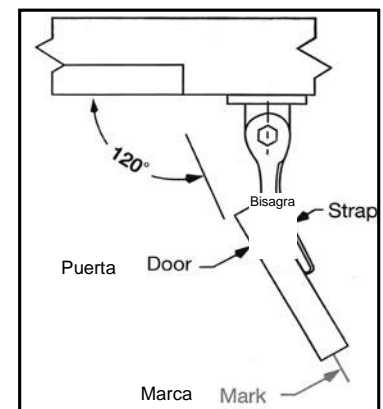
Para su conveniencia y seguridad, es aconsejable quitar el conjunto completo de la puerta de la cámara frigorífica o cámara congeladora antes de intentar reemplazar la junta de la puerta. Prepare una superficie lisa y limpia sobre la que se pueda colocar la superficie exterior del conjunto de la puerta sin estropear ni raspar el acabado.



EXTRACCIÓN DEL CONJUNTO DE LA PUERTA: TODAS LAS CÁMARAS FRIGORÍFICAS Y CONGELADORAS CON ESPUMA PLÁSTICA Y BISAGRAS ACCIONADAS POR LEVAS DE ALZAMIENTO

NOTA: Para puertas equipadas con una bisagra con resorte, vea la etiqueta con instrucciones para quitar la puerta en la cara interna de esta, cerca de la bisagra superior. Cuando quite el conjunto de la puerta de una cámara frigorífica, solicite la ayuda de una persona durante los procedimientos de extracción y reinstalación.

1. Abra la puerta hasta la posición de reposo; deténgase aproximadamente a los 120°.
2. Haga una marca en el piso para indicar la posición de la puerta (ver diagrama).
3. Levante la puerta y quítela del marco.
4. Para volver a instalar la puerta, alinéela con la marca en el piso.
5. Coloque los orificios hexagonales de las bisagras sobre los vástagos hexagonales y baje la puerta.



RESTABLECIMIENTO DE LAS BISAGRAS CON RESORTE

Para la bisagra con resorte superior, tendrá que restablecer el resorte o vástago hexagonal. Con la puerta instalada y cerrada con llave, quite los tornillos de la bisagra con resorte de la puerta únicamente. Tendrá que sostener la bisagra contra la puerta para evitar que el resorte salte hacia usted cuando quite los tornillos. Tire hacia arriba la pieza de la bisagra para quitarla de la puerta. Sostenga esa pieza sobre el resto de la bisagra de manera que esa parte quede al ras de la puerta. Vuelva a bajar la pieza de la bisagra hacia la puerta de manera que encaje en el vástago hexagonal. Ahora ha restablecido el resorte. Vuelva a insertar los tornillos en la bisagra y la puerta. Nota: En condiciones normales, el resorte no tiene tensión cuando la puerta está cerrada.

MANTENIMIENTO DE LA CÁMARA FRIGORÍFICA

REEMPLAZO DE LA JUNTA DE LA PUERTA

1. Coloque la cara exterior de la puerta hacia abajo con la junta hacia arriba sobre una superficie limpia y pareja que no estropee ni raspe el acabado.

2. La junta magnética de la puerta consiste en una cavidad que contiene una franja magnética, una cavidad ondulada que le permite a la junta adaptarse a las superficies irregulares y una sección de base que cuenta con una proyección en forma de dardo que funciona como medio de sujeción cuando se la coloca por presión en la ranura del interruptor de la puerta.

3. Para quitar la junta magnética original, tome la junta en uno de sus ángulos y tire de la proyección en forma de dardo para sacarla de la ranura de retención en el interruptor de la puerta. Tire lentamente y controle su avance para evitar rasgar la proyección, que de ser así quedaría en la ranura de retención.

4. Quite todo el conjunto de juntas y examine la ranura de retención para asegurarse de que esté libre de material de juntas u otros residuos.

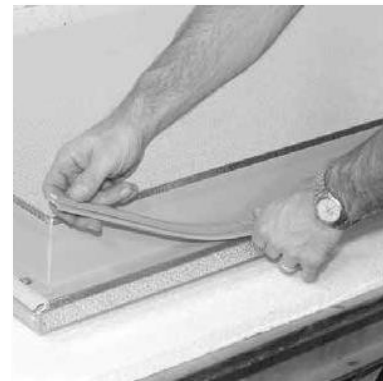
5. Empezando en una esquina, inserte la proyección en forma de dardo de la junta de reemplazo en la ranura de retención y, con un martillo de goma, lleve esta proyección hacia dentro de la ranura de retención. **SUGERENCIA:** Cubra la superficie del martillo de goma con cinta de enmascarar para no ensuciar la junta. Sujete solo 5,08 cm de la junta en cada dirección alejándose de la esquina.

6. Utilice el mismo procedimiento que en el Paso 4 en las esquinas que faltan y en la mitad del tramo entre las esquinas en los lados largos de la puerta.

7. Con el martillo de goma, lleve la pieza en forma de dardo dentro de la ranura de retención, y trabaje desde el centro de cada lado hacia las esquinas.

8. Levante la base de la junta sobre el borde externo de la junta y examínela para determinar si la parte en forma de dardo está retenida por la ranura en todo el perímetro de la puerta, excepto donde está sujeta la junta de barrido. Si la pieza en forma de dardo no ha quedado en posición en algunas áreas, se puede usar la hoja de un destornillador pequeño para llevar esta parte hacia dentro de la ranura.

9. Reemplace el conjunto de la puerta. Simplemente siga las instrucciones de la sección "Extracción del conjunto de puerta" en sentido inverso.



MANTENIMIENTO DE LA CÁMARA FRIGORÍFICA

JUNTA DE BARRIDO

La junta de barrido se instaló en fábrica y se probó su correcto funcionamiento antes del envío. Presenta una sección transversal única diseñada no solo para sellar el espacio entre la parte inferior de la puerta de la cámara frigorífica y el umbral o el piso del edificio, sino que su configuración descentrada cierra una abertura que normalmente se crea en ambos extremos de una junta de barrido convencional. Se sujeta al borde inferior del conjunto de la puerta de una cámara frigorífica con tornillos de cabeza cilíndrica de 3/4" para láminas de metal y arandelas planas.

La extrusión de la junta de barrido consta de tres durómetros (dureza) distintos de vinilo extruido en un perfil de una sola pieza. El área rígida forma la sección de fijación. La parte flexible forma la proyección de barrido y proporciona el sello final y un reborde ultraflexible que hace contacto con el umbral o piso del edificio, según la instalación.

FUNCIONAMIENTO

Apenas comienza la secuencia de apertura de la puerta, las bisagras de leva comienzan a levantar la puerta y la junta de barrido libera su contacto con el umbral o el piso del edificio. A aproximadamente 90° de la parte delantera de la cámara frigorífica, la puerta llegará a la posición de "mantenimiento de apertura" y dejará de elevarse por la acción de la leva. La junta de barrido se levantará unos 9,5 mm por sobre el umbral o el piso del edificio.

En posición cerrada, el reborde ultraflexible de la junta de barrido debe rozar ligeramente el umbral o el piso del edificio a lo largo de toda su longitud.

AJUSTE DE LA JUNTA DE BARRIDO

(Instalación inicial)

Con la puerta **COMPLETAMENTE CERRADA**, la distancia adecuada entre la parte inferior del área de fijación rígida de la junta de barrido y el umbral o el piso del edificio **DEBE SER DE 13 mm**.

Si esta dimensión es inferior a 12,7 mm, la junta de barrido se desgastará prematuramente y producirá un exceso de fricción contra la que actuará el cierrapuerta durante la secuencia de cierre de la puerta.

Si esta dimensión es superior a 12,7 mm, el reborde inferior no hará contacto con el umbral o el piso del edificio, el sello se verá afectado y permitirá que se produzca una filtración de aire en esta área. Mida ambos extremos de la junta de barrido con la puerta cerrada y realice ajustes hasta obtener exactamente 12,7 mm.

AJUSTE DE LA JUNTA DE BARRIDO

(Desgaste normal)

Si después de un uso considerable, una inspección revela que el reborde inferior de la junta de barrido se desgastó hasta un punto en que se produce una notable filtración de aire, basta con soltar los tornillos de sujeción y bajar la junta solo lo suficiente para permitir que el reborde inferior roce el umbral o el piso del edificio mientras la **PUERTA ESTÁ EN POSICIÓN CERRADA**. ¡No baje la junta más de lo que sea necesario! Apriete los tornillos de sujeción y revise el funcionamiento.



MANTENIMIENTO DE LA CÁMARA FRIGORÍFICA

CIERRAPUERTA

El cierrapuerta viene instalado y probado de fábrica para su correcto funcionamiento antes del envío. Este pequeño y potente dispositivo proporciona un cierre suave y eficaz con solo un mínimo de atención. No se requiere ningún tipo de lubricación. Se recomienda examinar al menos una vez al mes la relación entre el gancho y el rodillo.

Observe la fotografía de un cierrapuerta correctamente acoplado cuando la puerta de la cámara frigorífica está cerrada, para familiarizarse con sus distintos componentes.

Debido a que el cierrapuertas no es ajustable, cualquier ajuste necesario se debe realizar en el gancho del mismo.

PRECAUCIÓN: NO INTENTE DOBLAR EL GANCHO como método de ajuste. El gancho fue moldeado y templado para resistir la deformación durante el uso normal.

EL RODILLO ESTÁ DEMASIADO BAJO: Suelte todos los tornillos del soporte del gancho y agregue arandelas planas entre el soporte y el cabezal donde los dos tornillos SUPERIORES las mantendrán en su lugar. Apriete los tornillos y revise la posición del gancho.

EL RODILLO ESTÁ DEMASIADO ALTO: Suelte todos los tornillos del soporte del gancho y agregue arandelas entre el soporte y el cabezal donde los dos tornillos INFERIORES las mantendrán en su lugar. Apriete los tornillos y revise la posición del gancho.

Si por cualquier motivo, el brazo del rodillo choca accidentalmente en posición vertical mientras la puerta está abierta, **SE DEBE MOVER MANUALMENTE A LA POSICIÓN HORIZONTAL** antes de cerrar la puerta. De lo contrario, puede causar daños graves en la puerta o el cierrapuerta.



En la sección de la puerta hay una etiqueta de advertencia como recordatorio.



Correcto con la puerta abierta



Correcto con la puerta cerrada



Rodillo demasiado bajo



Rodillo demasiado alto

MANTENIMIENTO DE LA CÁMARA FRIGORÍFICA

CALENTADOR ANTICONDENSACIÓN DE ABERTURA DE LA PUERTA

Alrededor del perímetro de la abertura de la puerta se encuentra instalado un calentador anticondensación para evitar la formación de condensación en los bordes exteriores de la misma. Este alambre calefactor eléctrico de energía constante y bajo voltaje eleva la temperatura de las jambas y el umbral de la puerta lo suficiente como para mantener estas superficies por sobre la temperatura del punto de condensación del aire alrededor, lo que evita la condensación.

Cuando se forma condensación alrededor del perímetro de la abertura de la puerta, normalmente se sospecha de una falla del alambre calefactor. La humedad se acumula hasta provocar un problema en el piso del edificio o cuando la condensación se congela alrededor de la abertura de la puerta, como ocurrirá cuando se trate de una cámara congeladora. Sin embargo, no existe motivo de alarma si ocasionalmente se forman unas pocas gotas de humedad durante un periodo de HUMEDAD EXCEPCIONALMENTE ALTA.

NOTA: El alambre calefactor está diseñado para proporcionar la cantidad adecuada de calor en las superficies alrededor de la abertura de la puerta MIENTRAS LA CÁMARA FRIGORÍFICA ESTÁ EN LA TEMPERATURA DE DISEÑO. Se producirá una falla prematura si el alambre calefactor se energiza durante un período prolongado mientras no haya refrigeración en la cámara frigorífica o congeladora.

REEMPLAZO DEL ALAMBRE CALEFACTOR

Existen dos marcos de los que posiblemente se deben retirar tres piezas de la guarnición y el umbral antes de poder acceder al alambre calefactor. La guarnición actúa como cubierta del conducto del calentador en las jambas laterales y la jamba superior. El umbral cubre el canal del calentador en la placa inferior de la sección de puerta.



Opción 1



Opción 2

MANTENIMIENTO DE LA CÁMARA FRIGORÍFICA

RETIRO DEL UMBRAL

¡ADVERTENCIA! Asegúrese de que la energía eléctrica hacia la cámara frigorífica esté desconectada antes de intentar reemplazar el calentador de la puerta.

Para retirar el umbral, retire todos los tornillos visibles que fijan el umbral al piso de la cámara frigorífica o al piso del edificio. Tres tornillos fijan el umbral a la placa inferior de la sección de puerta. Después de retirar todos los tornillos, levante el umbral hasta liberarlo y quítelo de la sección de piso.



RETIRO DE LA GUARNICIÓN DE ACERO INOXIDABLE

Use un destornillador para retirar cuatro tornillos en cada una de las tres piezas de la guarnición. Retire una pieza de la guarnición a la vez. Esto dejará expuesto el alambre calefactor y la tira de separación del tablero de aglomerado.



MANTENIMIENTO DE LA CÁMARA FRIGORÍFICA

Nuevamente, **ASEGÚRESE DE QUE LA ENERGÍA ESTÉ DESCONECTADA** y retire la placa de cubierta de la luz piloto y el interruptor de la parte delantera de la sección de puerta. Retire los dos tornillos que fijan el conjunto de luz piloto e interruptor a la caja del interruptor y quite el conjunto de esta caja lo suficiente como para que queden expuestos los tornillos terminales en el dispositivo.

Examine el cableado en la caja del interruptor e identifique los dos conductores negros del alambre calefactor que están conectados a dos terminales del interruptor o a un terminal del interruptor y a un conector de cables. Consulte el diagrama de cableado de la cámara frigorífica en la sección "Conexiones eléctricas" de este manual. **SUGERENCIA:** Después de identificar correctamente los dos conductores hacia el alambre calefactor, corte los conductores, pero deje 25 o 51 mm restantes en el conector de cables o los terminales del interruptor. De este modo, estos tramos cortos de conductor identificarán correctamente los puntos de conexión adecuados

cuando se instale el calentador de reemplazo. Retire el alambre calefactor original de las jambas y el umbral y deséchelo.



INSTALACIÓN DEL CALENTADOR DE REEMPLAZO



Inserte los dos hilos conductores del calentador de reemplazo en el orificio de acceso del conducto de cables del calentador que lleva a la luz piloto y a la caja de empalmes del interruptor. **NOTA:** La sección donde el conductor se conecta al alambre calefactor ¡NO SE DEBE DOBLAR! Ubique las secciones del conector lo más cerca posible del orificio de acceso, pero ¡MANTÉNGALAS DERECHAS! Asegure las secciones del conector en su posición con un trozo pequeño de cinta aislante.

Ordene provisoriamente el conjunto de alambre calefactor.

MANTENIMIENTO DE LA CÁMARA FRIGORÍFICA



Asegure el alambre calefactor en su posición con trozos pequeños de cinta aislante. Levante el alambre calefactor en cada esquina y aplique tres capas de cinta aislante alrededor del aislamiento en una longitud de aproximadamente 76 mm.

Continúe formando un pequeño lazo en cada esquina para permitir la expansión y la contracción del alambre calefactor sin que haya tensión en esos puntos. Luego de formar los lazos, colóquelos en posición con un trozo de cinta aislante.

El alambre calefactor debe estar relativamente derecho en la jamba superior y las jambas laterales, pero el alambre calefactor que sobre debe permanecer enrollado SOLO EN EL ÁREA DEL UMBRAL en forma de "zigzag". Asegúrese de que esté así enrollado a lo ancho del canal de conducción en la placa inferior o el umbral. El largo extra de alambre calefactor concentrado en el umbral producirá más calor por pie en este lugar que en las jambas.

Luego que el alambre calefactor se haya ubicado, asegúrelo con trozos pequeños de cinta aislante donde sea necesario para evitar que el alambre calefactor interfiera con el reemplazo de la guarnición de cromo.



REEMPLAZO DE LA GUARNICIÓN DE ACERO INOXIDABLE

Comience el reemplazo de la guarnición de acero inoxidable con la sección de la guarnición superior. Sostenga la guarnición en su lugar mientras está reemplazando los tres tornillos. Instale las guarniciones de la izquierda y de la derecha de un modo similar. La guarnición se debería reemplazar fácilmente a mano.



REEMPLAZO DEL UMBRAL

Coloque el umbral en su ubicación original y reemplace todos los tornillos en su ubicación original. Recordatorio: El tablero de aglomerado debe estar en su lugar antes de reemplazar el umbral. Una vez que haya fijado el umbral, aplique un cordón de 4,8 mm de obturador de silicona en ambos extremos del umbral donde se encuentran las jambas laterales. Con un dedo húmedo, alise el cordón en ángulo de silicona para un trabajo limpio y profesional.

MANTENIMIENTO DE LA CÁMARA FRIGORÍFICA

CONEXIÓN ELÉCTRICA

Para conectar el alambre calefactor como se muestra, consulte el diagrama de cableado en la sección “Conexiones eléctricas” de este manual. Si se dejaran tramos cortos de los cables conductores como indicadores, conecte el cable conductor calefactor de repuesto a aquellos puntos de conexión y descarte los tramos indicadores cortos.

NOTA: Si uno de los cables conductores del calentador se conecta con otro a través de un conector de alambre, consiga un cable conector en espiral de un tamaño adecuado, para este propósito.

Reemplace la luz piloto y el interruptor en la caja de distribución y vuelva a poner la cubierta de la caja para finalizar el trabajo. Restituya la corriente eléctrica en la cámara frigorífica para continuar la operación.

LIMPIEZA DE LOS PANELES Y RECOMENDACIONES DE MANTENIMIENTO

Durante el desempaque, la manipulación y la instalación, las superficies de los paneles de su cámara frigorífica o cámara congeladora pueden mancharse o ensuciarse. La limpieza de todo tipo de superficie de metal, de las guarniciones de las puertas y de las juntas puede realizarse con un detergente suave y agua tibia. Es importante quitar todo exceso de jabón y secar las superficies por completo. Nunca, bajo ninguna circunstancia, use una solución abrasiva o alcalina.

Ocasionalmente puede necesitar limpiar la superficie interior por razones de higiene. Una solución suave de bicarbonato de sodio y agua tibia puede usarse para limpiar y lograr un olor agradable en el interior, si es que hubiere algún olor desagradable, producto de salpicaduras o roturas de algún contenedor. Nunca deje agua estancada dentro de la cámara frigorífica o cámara congeladora.

Advertencia: El piso de la cámara frigorífica debe mantenerse libre de cualquier líquido, partículas de comida u otro elemento que pueda causar un peligro de resbalones. Los líquidos derramados, partículas de comida o cualquier humedad en el piso de la cámara frigorífica pueden causar que el piso se vuelva resbaladizo. Siempre mantenga la superficie del piso limpia y seca.

- Inspeccione las tiras antideslizantes del piso en las rampas y las superficies del piso y reemplácelas si están desgastadas.
- Inspeccione el sistema de refrigeración, las juntas de las puertas y los herrajes para que funcionen correctamente y así evitar que haya humedad en el piso, el techo o las paredes.
- Evite dejar las puertas de entrada abiertas durante más de cinco minutos, ya que esto puede provocar la formación de una película de hielo o humedad en las superficies del piso, el techo y las paredes debido a la excesiva condensación de aire caliente y húmedo que entra a la cámara frigorífica. Se pueden utilizar cortinas de tiras de vinilo para reducir la cantidad de aire húmedo y caliente que entra a la cámara frigorífica.

LISTA DE VERIFICACIÓN FINAL PARA LA INSTALACIÓN DE CÁMARAS FRIGORÍFICAS Y REFRIGERACIÓN

N.º de ubicación N.º de orden de ventas

Estimado contratista de refrigeración:

Nuestro objetivo es suministrar a nuestros clientes los mejores equipos disponibles. Esto se logra mediante la combinación de los equipos comerciales de refrigeración de mayor calidad con una instalación artesanal que cumpla con todos los requisitos de la fábrica. Este documento lo ayudará a comprender y verificar si la instalación cumple con dichos requisitos.

Este documento debe utilizarse junto con el Manual de instrucciones de instalación y operación y con los planos de piso provistos con el producto.

Cuando el trabajo esté finalizado y el equipo esté funcionando según las especificaciones de la fábrica, debe llenarse el informe de inspección adjunto en su totalidad y devolverse.

Si tiene alguna pregunta o inquietud, o necesita mantenimiento o piezas de repuesto, comuníquese con Norlake al 800-388-5253 o Master-Bilt al 800-647-1284. Tenga a mano el número de modelo y el número de serie del equipo al momento de llamar

Factores que debe verificar cuando inspecciona una instalación:

(El contratista de refrigeración que realiza la instalación debe llenar las áreas sombreadas)

Cámara frigorífica	Sí	No	Reparaciones realizadas	Revisión de GC *
<p>1. ¿Faltó algún componente en la entrega que debió haber sido suministrado por RSG? Verifique que todos los componentes entregados en el lugar de trabajo coincidan con la lista de embalaje.</p> <p>2. ¿Está la superficie sobre la que debe instalarse la cámara frigorífica lisa y nivelada a más o menos 12,7 mm más allá del largo de la placa de piso? (Se recomienda utilizar un nivel de cadena o de láser para verificar que la placa de piso cumpla con estos requisitos). La cámara frigorífica no debe instalarse si el nivel de la placa de piso no cumple con estos requisitos.</p> <p>3. ¿Se instaló la barrera de vapor de película de polietileno de 0,15 mm antes de instalar los paneles del piso?</p> <p>4. ¿Está la cámara frigorífica centrada en el espacio provisto con un mínimo de 5,1 cm de espacio entre la cámara frigorífica y las paredes del edificio en cada lado?</p> <p>5. ¿Están las cavidades entre el cerramiento exterior y las paredes externas de la cámara frigorífica libres de desechos y sin obstrucciones?</p> <p>6. ¿Existe algún panel u otro componente dañado, o abolladuras o rayones antiestéticos en los paneles del piso, paredes o techo de la cámara frigorífica suministrada?</p> <p>7. ¿Se aplicó masilla a la base de la cámara frigorífica alrededor del perímetro?</p> <p>8. ¿Están todos los paneles de la pared nivelados en la parte superior? ¿Están las paredes verticales y niveladas con el techo?</p> <p>9. ¿Existe algún espacio vacío identificado entre los paneles de la pared luego del enganche del cerrojo macho y la cerradura hembra? La junta del panel debe estar en contacto con los bordes de metal de ambos paneles.</p> <p>10. ¿Están la sección y el cobertor de la puerta verticales y nivelados? ¿La puerta se cierra correctamente? (Para verificar si la puerta se cierra correctamente, ábrala a 90°. La puerta debe cerrarse y sellarse sin ningún tipo de ayuda).</p>				

LISTA DE VERIFICACIÓN FINAL PARA LA INSTALACIÓN DE CÁMARAS FRIGORÍFICAS Y REFRIGERACIÓN RSG

11. ¿Están las luces instaladas, conectadas al interruptor de luces y funcionando correctamente? 12. ¿Se han sellado correctamente todas las penetraciones eléctricas y de otro tipo según lo recomendado por Nor-Lake? 13. ¿Está el sensor de temperatura extendido lejos de la puerta y montado en la pared? 14. ¿Está la cortina de cintas de polietileno instalada y fijada? 15. ¿Están la tubería de refrigerante y el cable eléctrico bien afirmados y sin tensiones? 16. ¿Está correctamente instalada la etiqueta del número de serie? 17. ¿Se ha eliminado el material de construcción excedente de la parte superior de la cámara frigorífica? 18. ¿Es profesional el aspecto de la instalación?	
---	--

Nota: RSG recomienda tomar fotos después de terminada la instalación.

- 1). Sección de la puerta exterior (vista general)
- 2). Sección del evaporador (después de la instalación)
- 3). Unidad de condensación (después de la instalación)

Inspección final de la cámara frigorífica y los sistemas de refrigeración ¿Se han entregado al usuario final los manuales de instalación y mantenimiento, los diagramas de cableado y demás documentos de la cámara frigorífica?	Sí	No	Reparaciones realizadas	Revisión de GC *
--	----	----	-------------------------	------------------

Número(s) de modelo de la cámara frigorífica: _____

Número(s) de serie de la cámara frigorífica: _____

Con su firma a continuación, el instalador certifica por este medio que la instalación se ha realizado según los estándares y especificaciones de RSG. El contratista de la instalación corregirá los elementos que no cumplan con dichas disposiciones sin costo alguno.

Nombre del contratista a cargo de refrigeración e instalación: _____

Firma del contratista a cargo de refrigeración e instalación: _____ Fecha: _____

Nombre del contratista general: _____

Firma del contratista general: _____ Fecha: _____

Comuníquese con el Departamento Técnico:

Norlake: 800-388-5253

Master-Bilt: 800-684-8988



Refrigerated Solutions Group
891 County Road U
Hudson, WI 54016

800-955-5253 Ventas de Servicios Alimentarios de Norlake
800-477-5253 Ventas de Productos Científicos de Norlake
800-388-5253 Repuestos y Mantenimiento de Norlake
877-503-5253 Instalación de la cámara frigorífica Norlake

800-647-1284 Ventas de Master-Bilt
800-684-8988 Repuestos y Mantenimiento de Master-Bilt