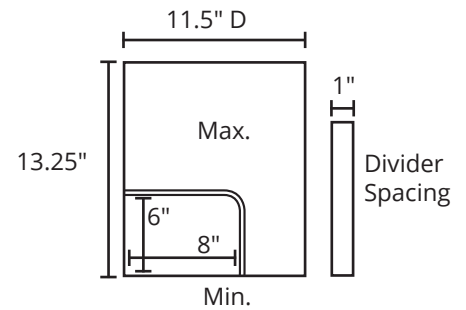
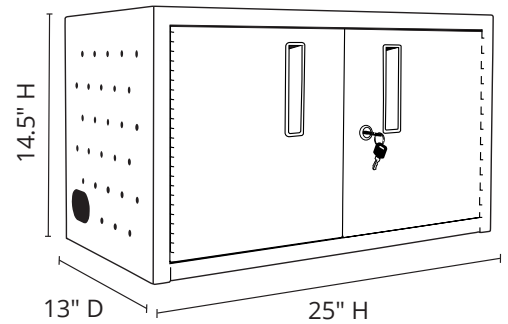


# LLTMW16-G

## 16 Tablet Wall / Desk Charging Box

### Product Specifications

Item Number	LLTMW16-G
Material	Powder Coated Steel
Color Finish	Light Gray
Capacity	16 Tablets
Exterior Dimensions	25" W x 13" D x 14.5" H
Weight	26.5 lbs.
Shelf Quantity	1
Divider Make	Rubber Coated Steel
Divider Distance	1"
Interior Divider Dimensions	1" W x 11.5" D x 13" H
Doors	2; front access
Lock	Key-lock on front door; 2 sets of keys
Ventilation	2 sides; left and right
Cord Length	10'
Weight Capacity	10 lbs.
Power	16-outlet horizontal power strip; UL approved
Voltage	120V/15A
Meets ANSI/BIFMA	Yes
Ship Method	Ground
Shipping Carton Dims	1 carton; 27" W x 15" D x 17" H
Shipping Weight	28 lbs.
Assembly Required	None



#### Special Note:

Due to the latest, larger size of the 20W Apple iPad and Samsung Chromebook USB-C charging block adapters, only half of the available plug outlets are accessible in this unit. If you are using these power adapters, please contact Luxor customer service for the availability of special adapter cords that can be used to regain access to all charging plugs.

To Order, Call Your  
Sales Representative  
or 800-323-4656