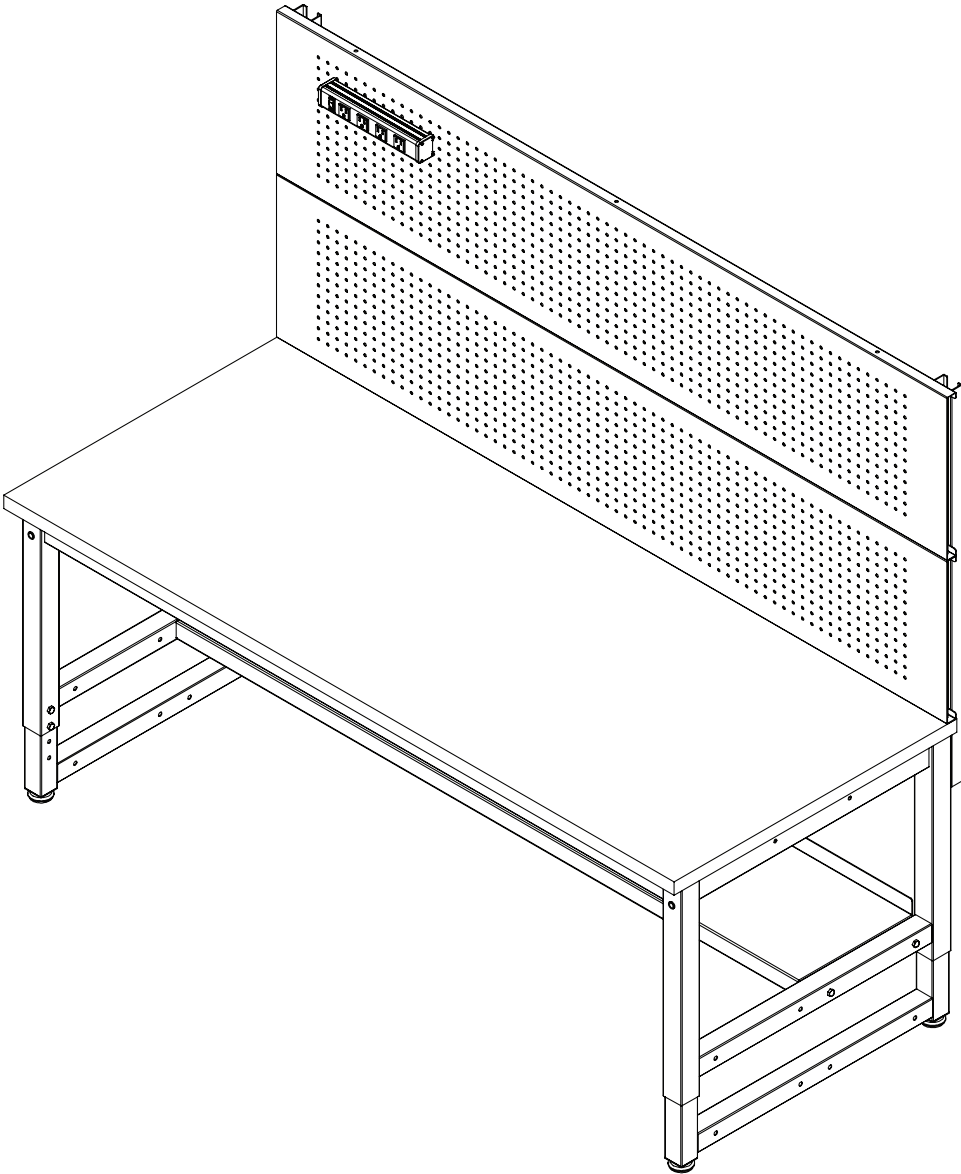


WAREHOUSE WORKBENCH - DTWS001

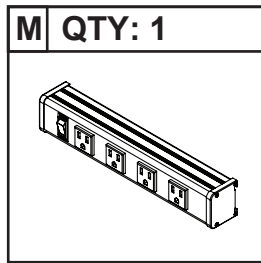
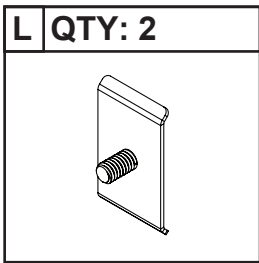
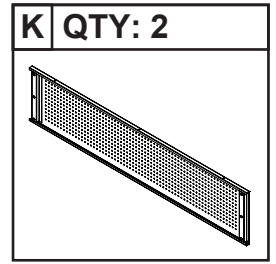
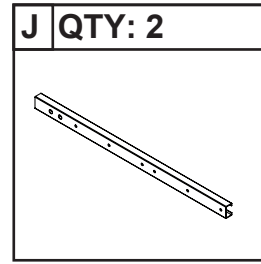
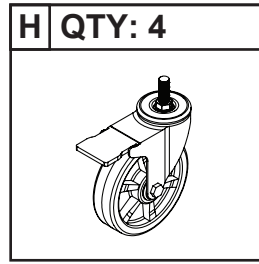
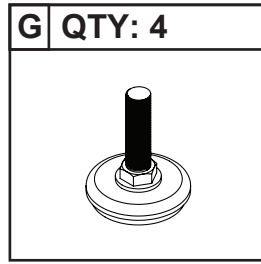
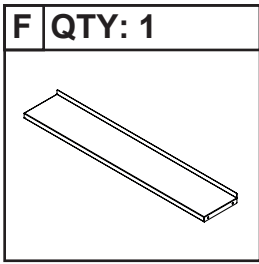
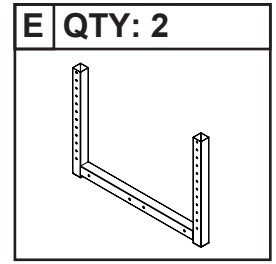
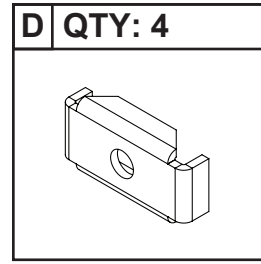
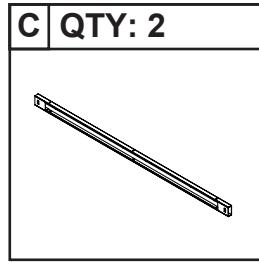
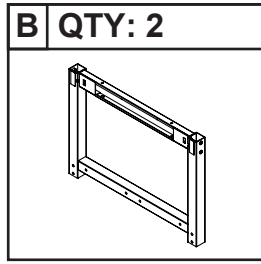
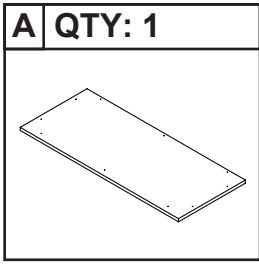


Questions or concerns?
Contact us directly!

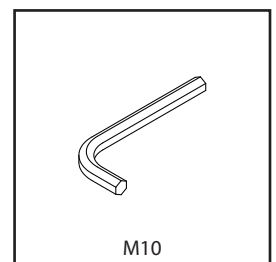
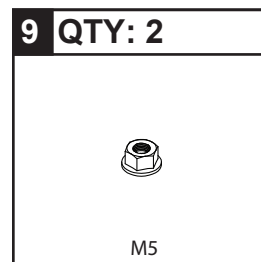
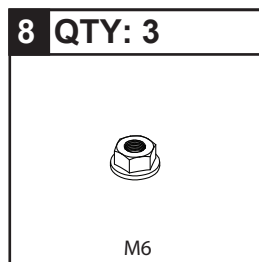
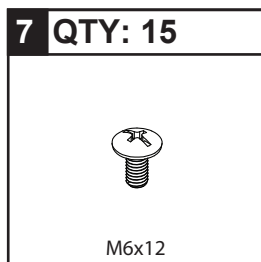
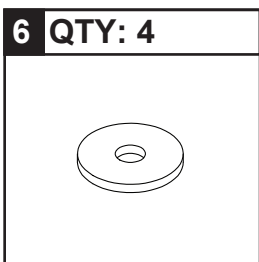
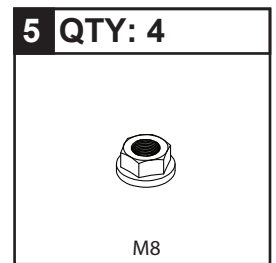
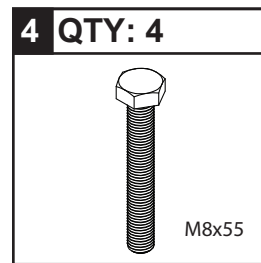
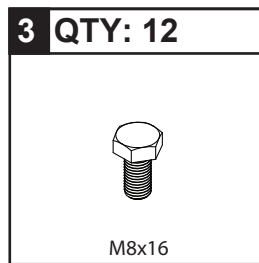
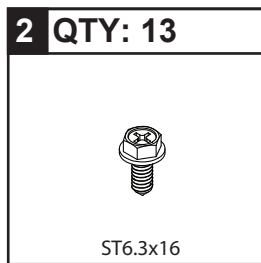
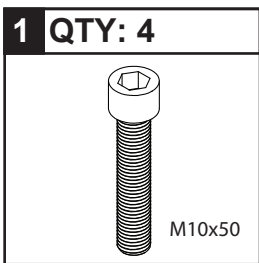


1-800-323-4656
Info@LuxorWorkspaces.com

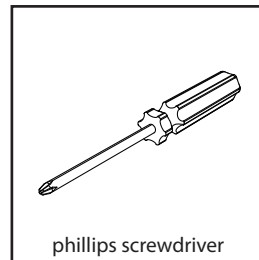
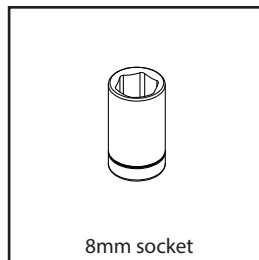
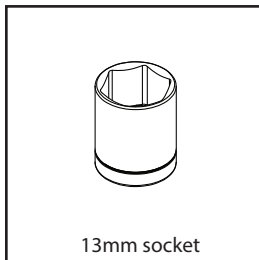
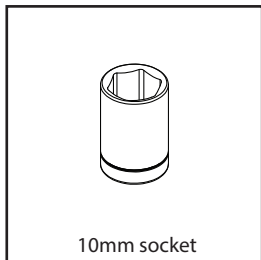
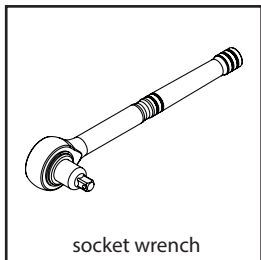
PARTS INCLUDED NOT TO SCALE



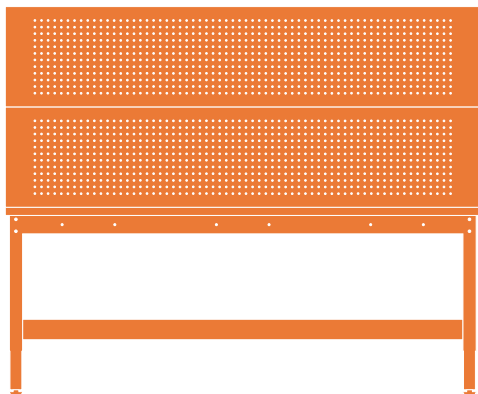
HARDWARE INCLUDED NOT TO SCALE



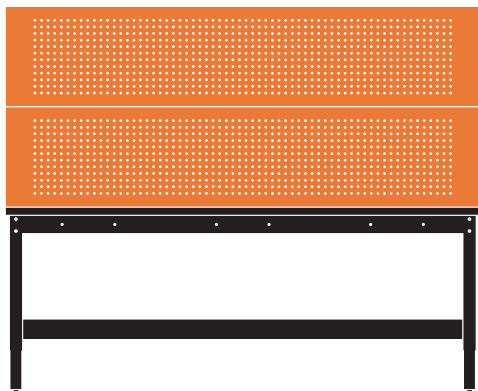
TOOLS REQUIRED



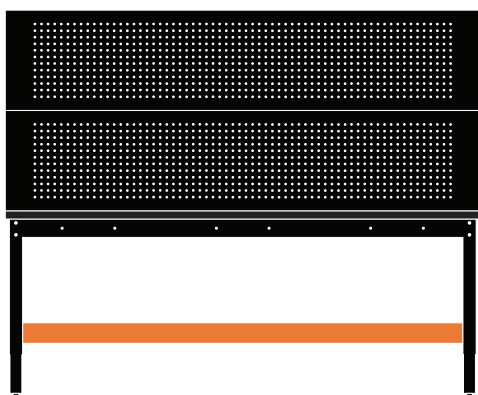
WARNING NOTES



OVERALL MAXIMUM WEIGHT CAPACITY
- EVENLY DISTRIBUTED -



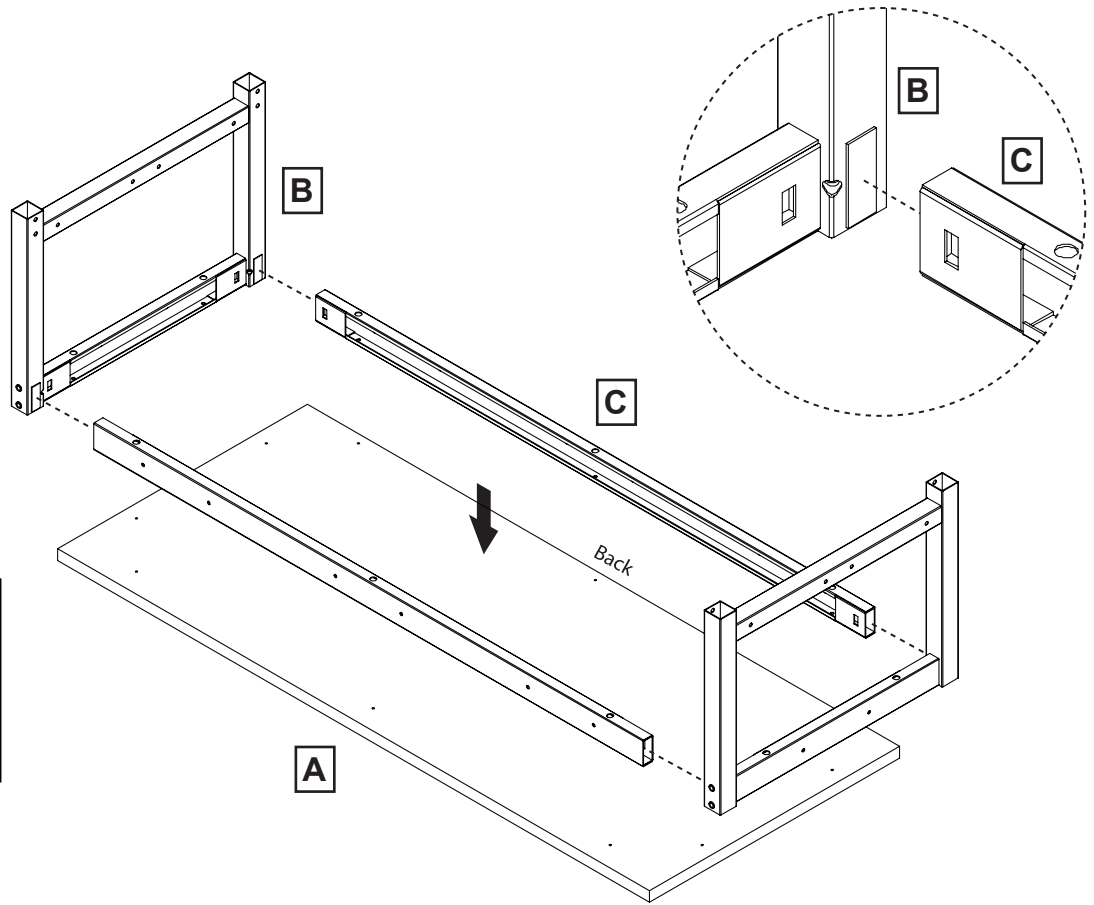
PEGBOARD MAXIMUM WEIGHT CAPACITY
- EVENLY DISTRIBUTED -



LOWER SHELF MAXIMUM WEIGHT CAPACITY
- EVENLY DISTRIBUTED -



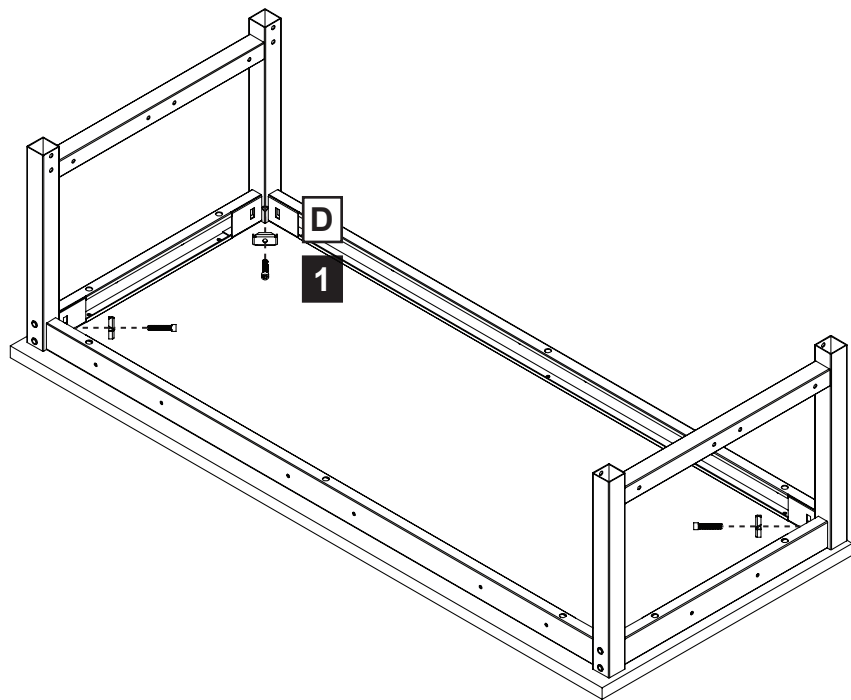
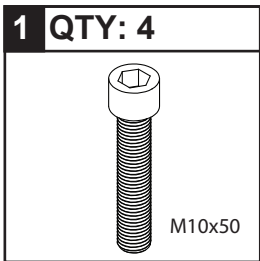
1



NOTE:
The underside has 10 holes,
while the other side has 3 holes


NOTE:
The 3 holes closer to the edge
represents the "back"

2

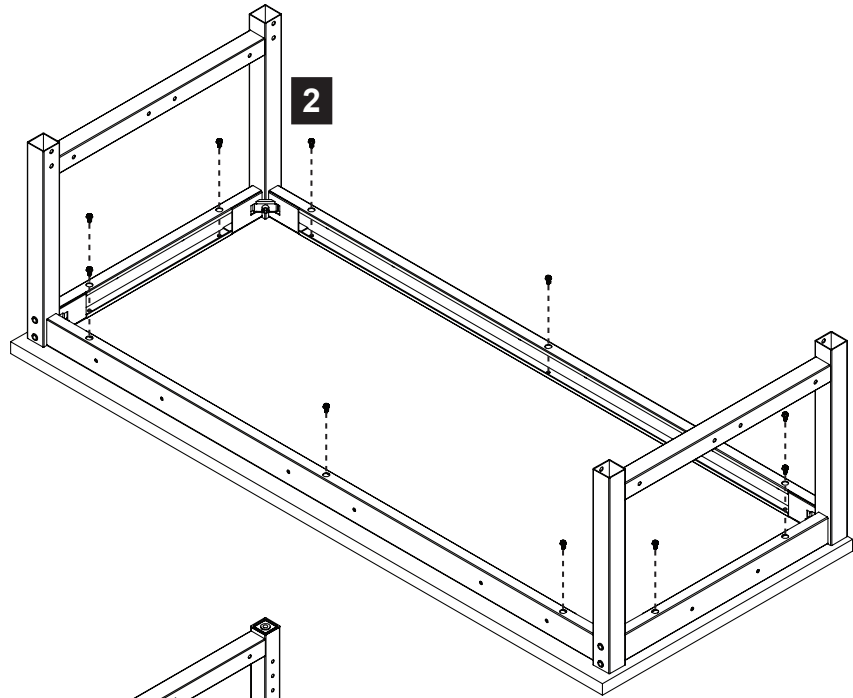


3

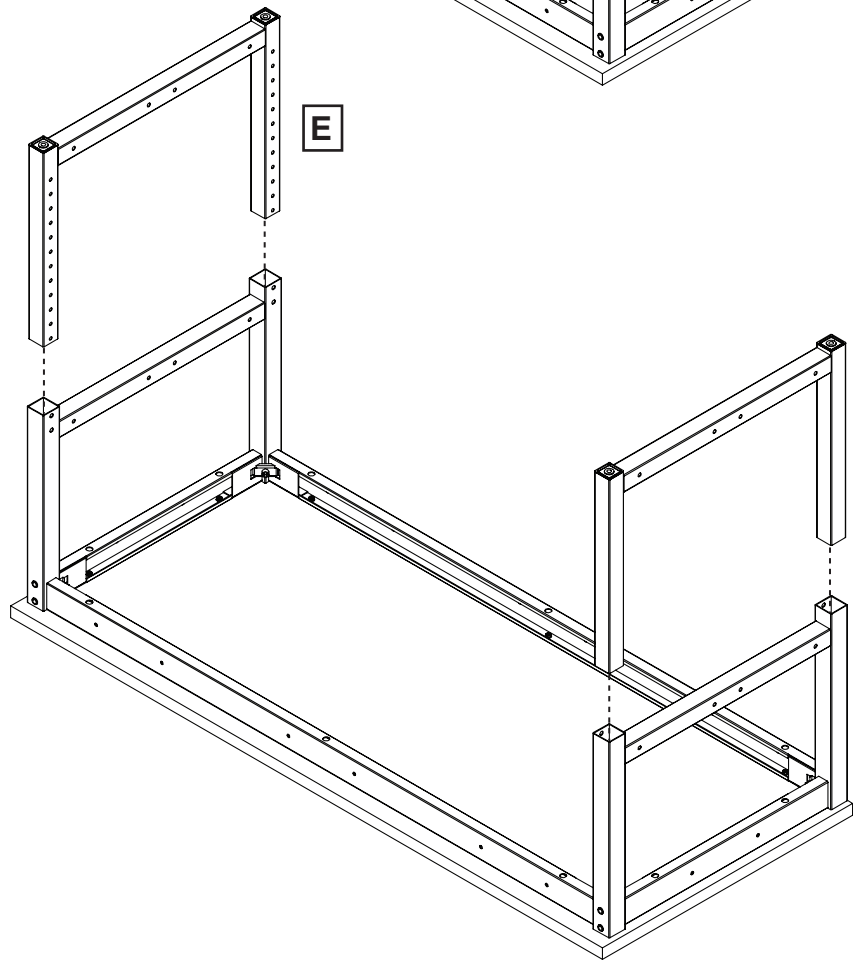
2 QTY: 10



ST6.3x16

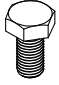


4

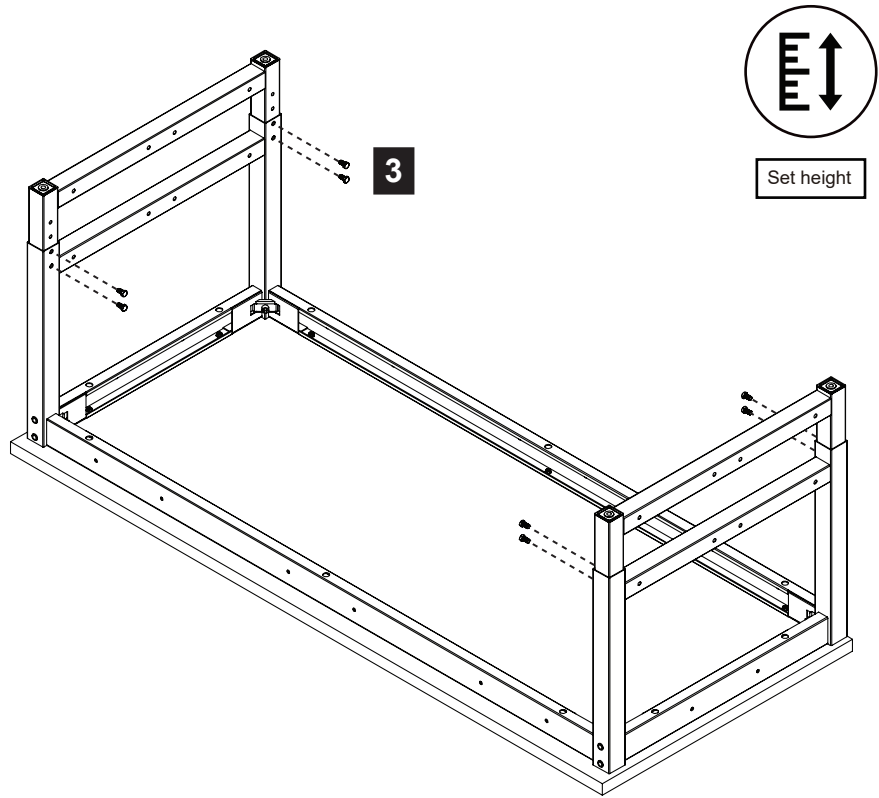


5

3 QTY: 8

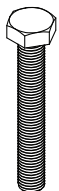


M8x16




6

4 QTY: 4

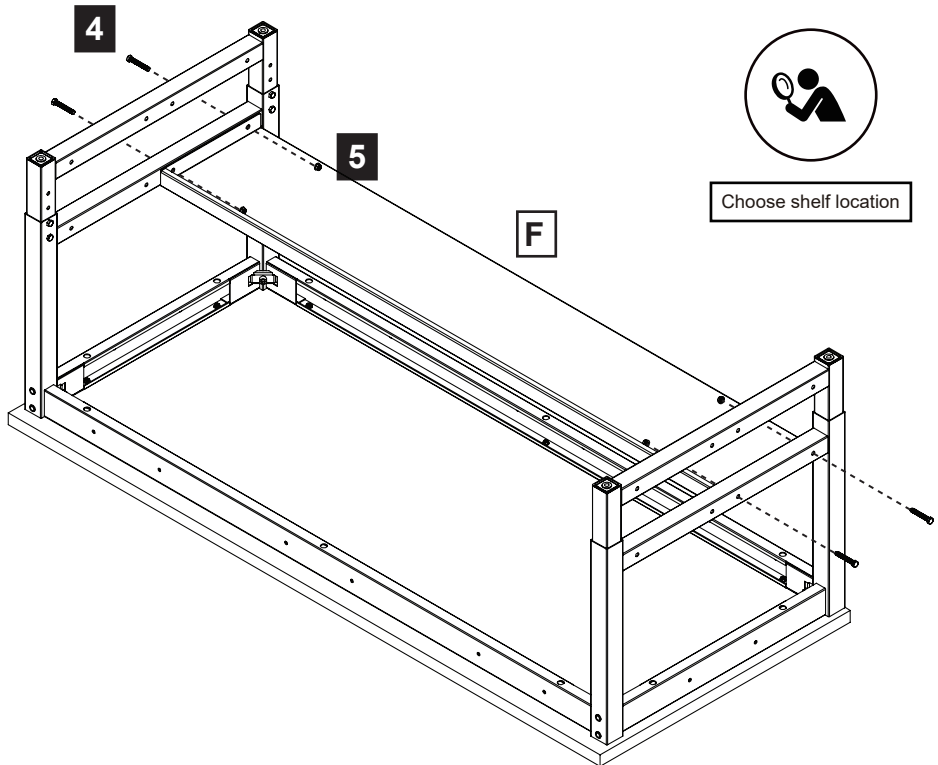


M8x55

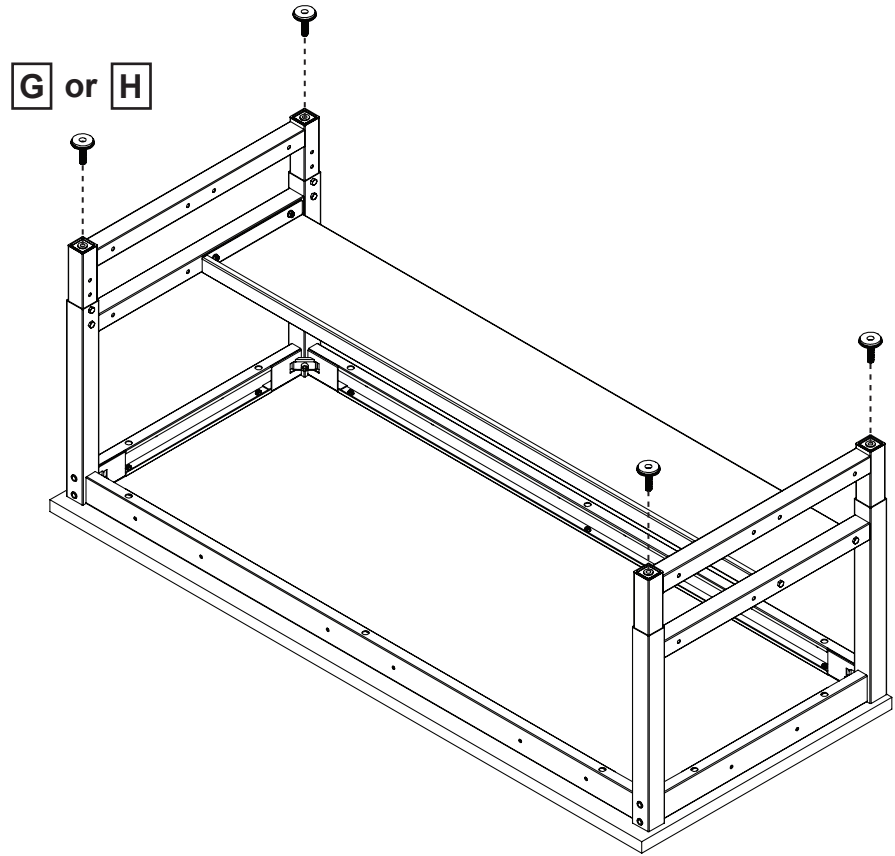
5 QTY: 4



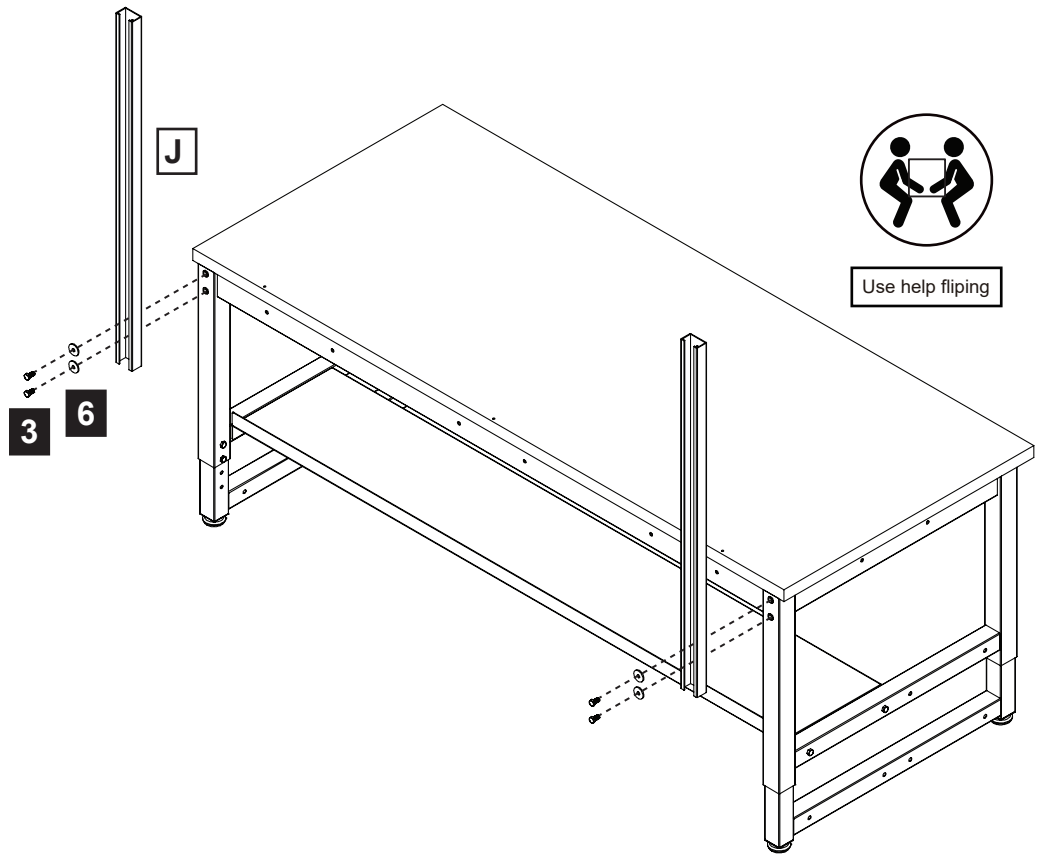
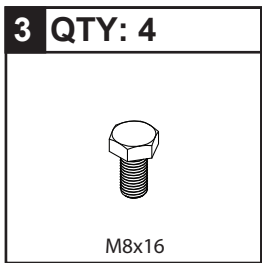
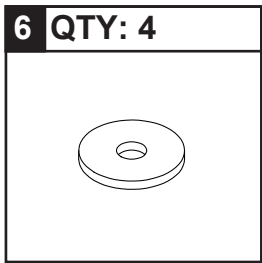
M8



7



8

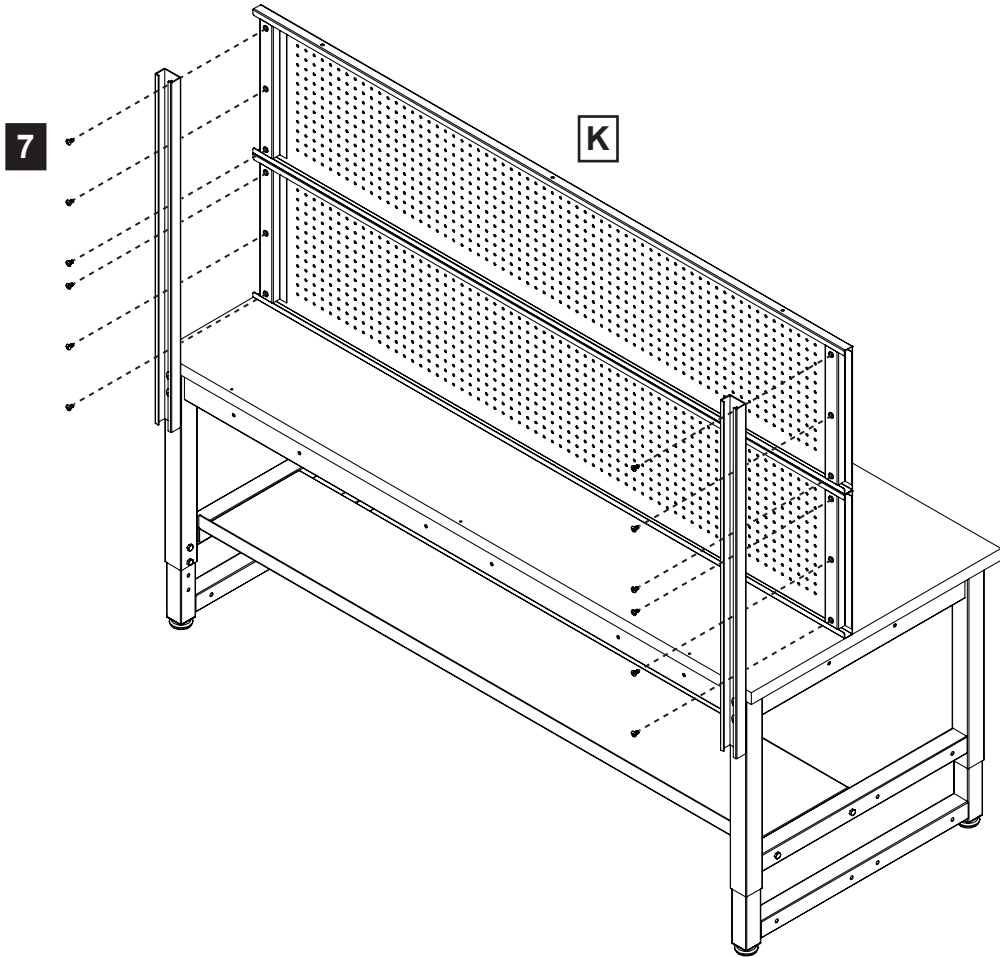


9

7 QTY: 12



M6x12

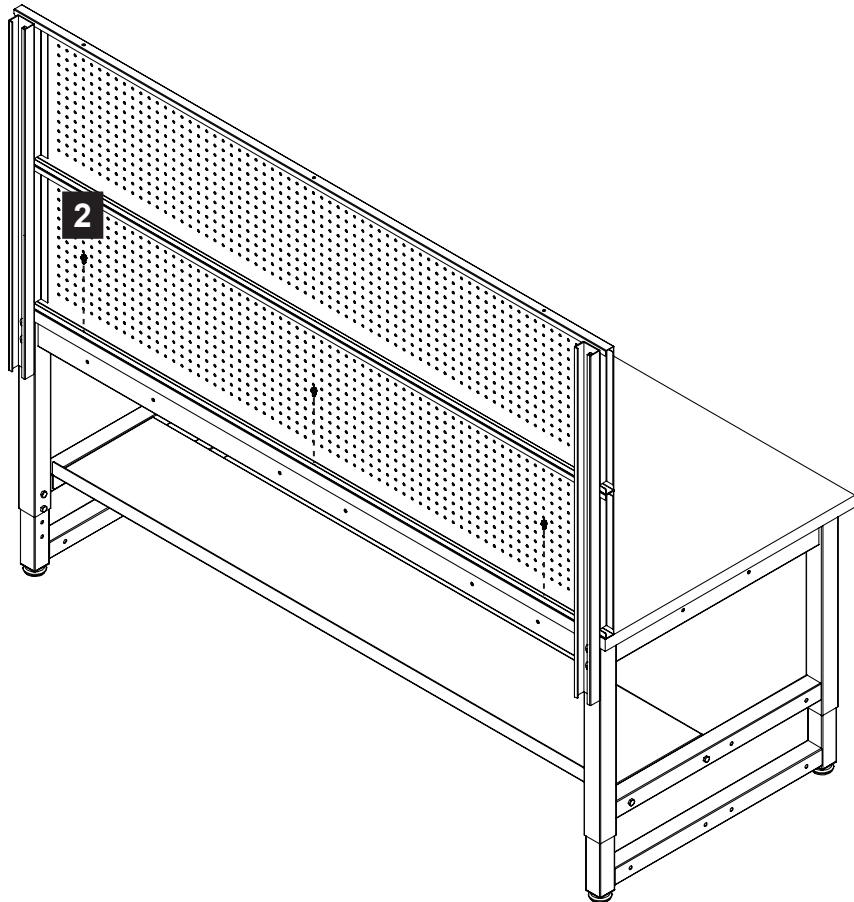


10

2 QTY: 3




ST6.3x16




11

7 QTY: 3

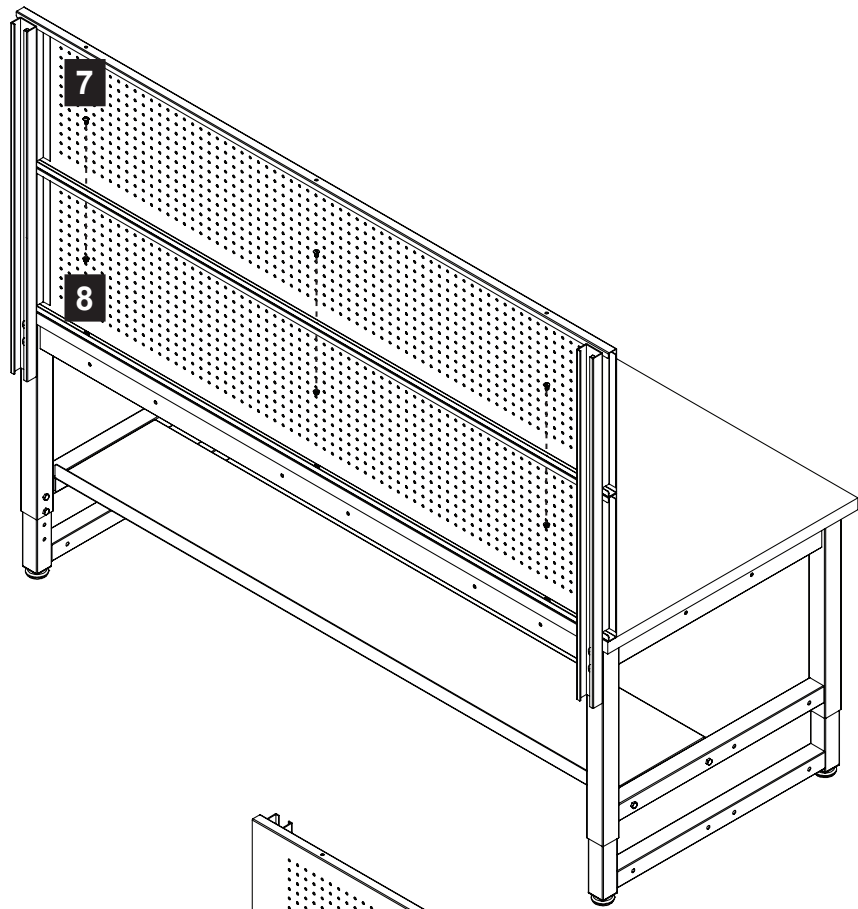


M6x12

8 QTY: 3



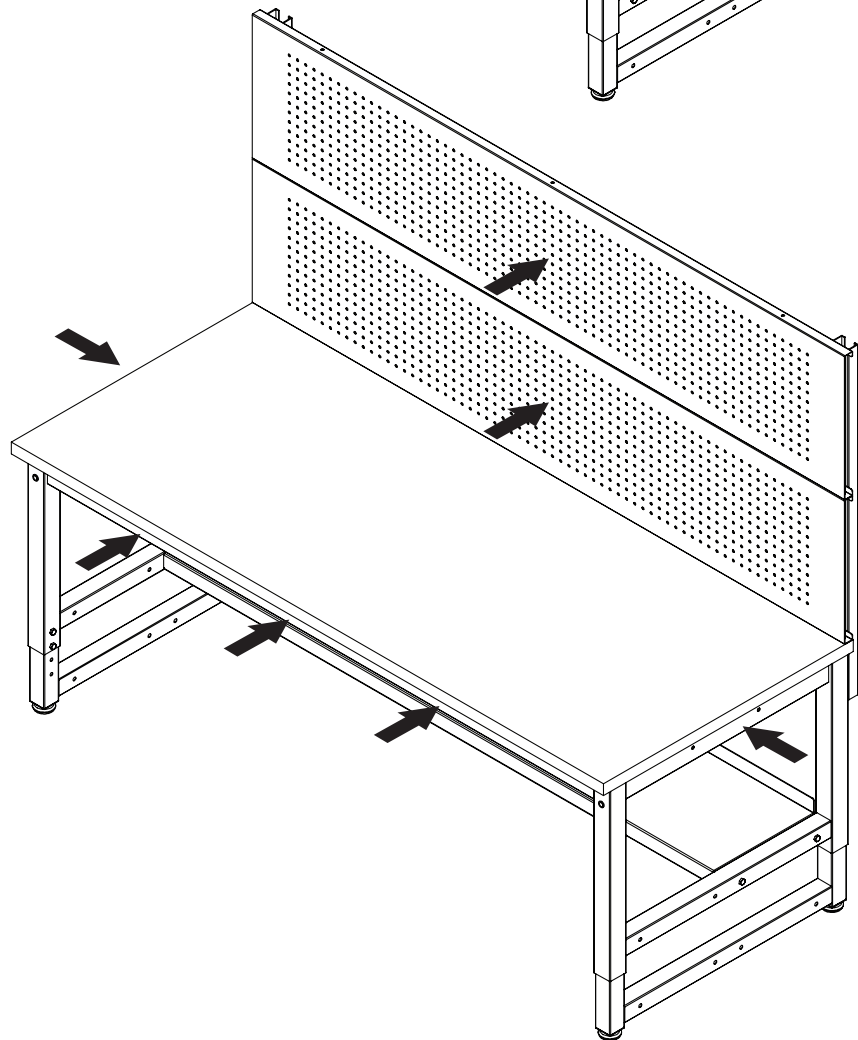
M6



12




Choose power location

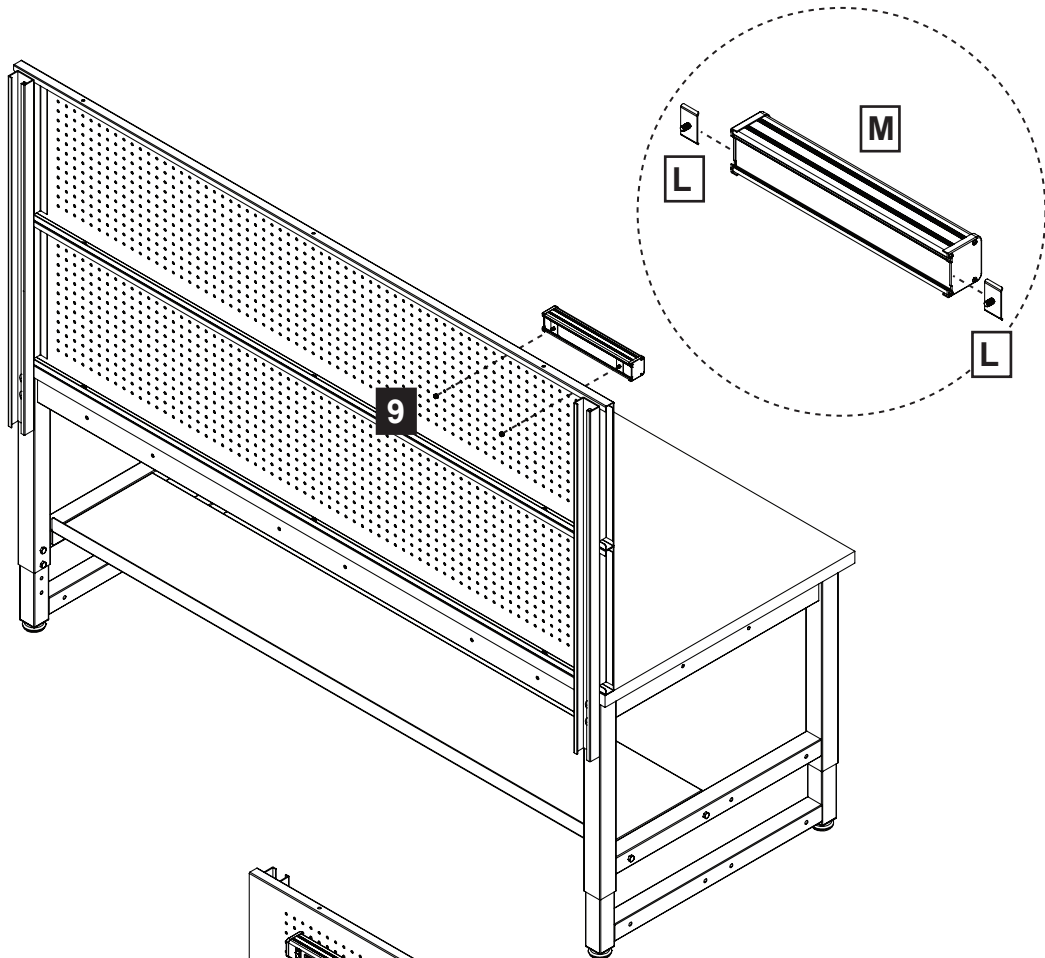


13

9 QTY: 2



M5



Great job!

