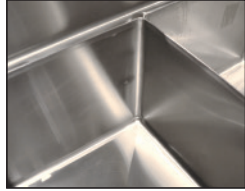




STAINLESS STEEL


FABRICATED MOBILE SINKS & SILVER SOAK SINKS



Fabricated Bowls are Welded Together at the Seams

Item #:	_____	Qty #:	_____
Model #:	_____		
Project #:	_____		

MOBILE SINKS



9-FMS-20 (8" deep)
9-FMS-12 (12" deep)

A Multi-Purpose Unit. Move it where the ACTION is! A Must for the large food preparation type of installation.

SILVER SOAK SINKS



9-FSS-20 (8" deep)

UNIVERSAL BOWL SIZE. ACCOMMODATES 20" X 20" DISHWASHER RACKS

SILVER SOAK SINKS WITH DETACHABLE CHUTE



9-FSC-20 (8" deep)

Required for the scullery operation that promotes clean sanitary flatware.

FEATURES:

Top sink rim is furnished with a 2" x 1" square edge.

CONSTRUCTION:

All TIG welded.

Welded areas blended to match adjacent surfaces and to a satin finish.

MECHANICAL:

Waste drain is 2" I.P.S. Twist handle lever operation.

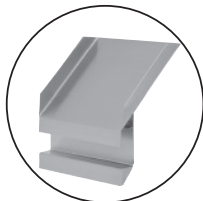
Tail-piece is chrome plated 4" long.

Casters: 4 swivels - each wheel is 5" x 1", each rated at 125 lbs. - two casters furnished with brakes.

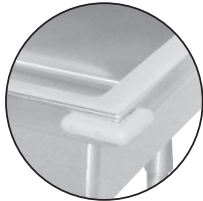
MATERIAL:

Heavy gauge type "304" stainless steel.

Legs are stainless steel tubing.



Optional Chute
9-SS-1



Optional Bumpers
9-SS-2

ACCESSORIES	Model #	Qty
CHUTE	9-SS-1	
BUMPERS (Set of 4)	9-SS-2	



Customer Service Available To Assist You 1-800-645-3166 8:30 am - 7:00 pm E.S.T.

For Orders & Customer Service:

Email: customer@advancetabco.com or Fax: 631-242-6900

For Smart Fabrication™ Quotes:

Email: smartfab@advancetabco.com or Fax: 631-586-2933

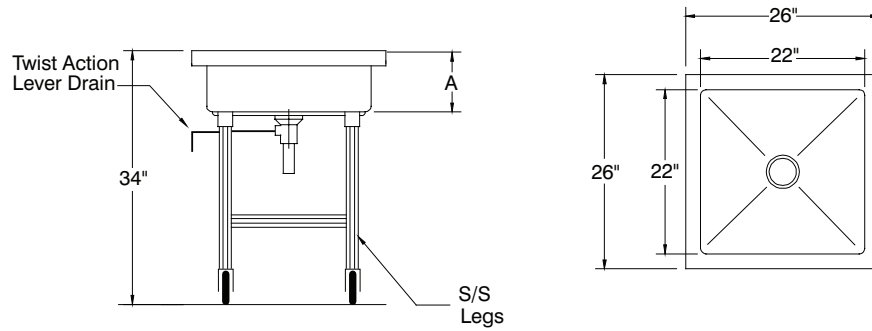
DIMENSIONS and SPECIFICATIONS

TOL Overall: $\pm .500''$
 Interior: $\pm .250''$

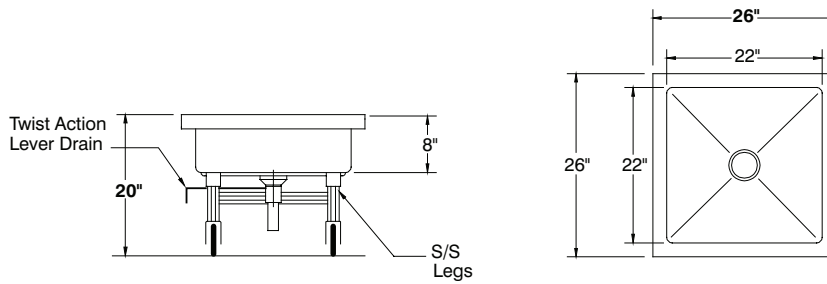
ALL DIMENSIONS ARE TYPICAL

MOBILE SINK

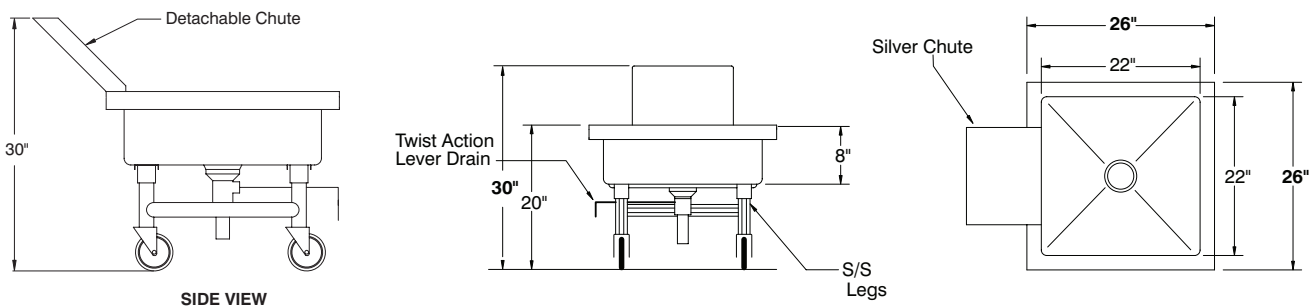
Model #	A
9-FMS-20	8"
9-FMS-12	12"



9-FSS-20 SILVER SOAK SINK



9-FSC-20 SILVER SOAK SINK WITH DETACHABLE CHUTE



ADVANCE TABCO is constantly engaged in a program of improving our products. Therefore, we reserve the right to change specifications without prior notice.