



MX-SS-242 Shown
Mixer Not Included



MT-SS-242
Shown



AG-MT-242
Shown

Item #: _____ Qty #: _____
 Model #: _____
 Project #: _____

UTENSIL RACK & UNDERSHELF

| O.A. Size WxL | S/S Base | Galv. Base | Approx. Wt. | Approx. Cu. Ft. |
|------------------|-----------|------------|----------------|--------------------|
| | Model | Model | | |
| 24" x 24" | MX-SS-242 | MX-GL-242 | 53 lbs. | 3 |
| 30" x 24" | MX-SS-302 | MX-GL-302 | 63 lbs. | 3 |
| 30" x 30" | MX-SS-300 | MX-GL-300 | 70 lbs. | 4 |
| 30" x 36" | MX-SS-303 | MX-GL-303 | 77 lbs. | 4 |
| 36" x 36" | MX-SS-363 | MX-GL-363 | 81 lbs. | 5 |

FEATURES:

TOP is furnished with a 2" x 1" square die embossed NO-DRIP countertop offset edge with a 1/2" return on 4 sides.

Aluminum die cast "leg-to-shelf" clamp secures shelf to leg eliminating unsightly nuts and bolts. Undershelf is adjustable.

MATERIAL:

MX-SS & MT-SS SERIES - Stainless Steel Base

TOP is 14 gauge stainless steel type "304" series with galvanized understructure.

UNDERSHELF is 18 gauge stainless steel.

LEGS are 1 5/8" diameter tubular stainless steel with stainless steel bullet feet & gussets.

UTENSIL RACK on MX-SS Series is 1 5/8" dia. stainless steel tubing with stainless steel hooks.

MX-GL & MT-GL Series - Galvanized Steel Base

TOP is 14 gauge stainless steel type "304" series with galvanized understructure.

UNDERSHELF is galvanized steel.

LEGS are 1 5/8" diameter, tubular galvanized steel. Gussets are galvanized steel with 1" adjustable plastic bullet feet.

UTENSIL RACK on MX-SS Series is 1 5/8" diameter galvanized steel tubing with stainless steel hooks.

SAG-MT & AG-MT Budget Series

TOP is heavy gauge stainless steel type "430" series with galvanized understructure.

SAG-MT Series UNDERSHELF is 18 gauge stainless steel.

AG-MT Series UNDERSHELF is galvanized steel.

SAG-MT Series LEGS are 1 5/8" diameter, tubular stainless steel. Gussets are stainless steel. 1" adjustable stainless steel bullet feet.

AG-MT Series LEGS are 1 5/8" diameter, tubular galvanized steel. Gussets are galvanized steel. 1" adjustable plastic bullet feet.

WITH UNDERSHELF

| O.A. Size WxL | S/S Base | Galv. Base | Approx. Wt. | Approx. Cu. Ft. |
|------------------|-----------|------------|----------------|--------------------|
| | Model | Model | | |
| 24" x 24" | MT-SS-242 | MT-GL-242 | 45 lbs. | 3 |
| 30" x 24" | MT-SS-302 | MT-GL-302 | 50 lbs. | 3 |
| 30" x 30" | MT-SS-300 | MT-GL-300 | 55 lbs. | 4 |
| 30" x 36" | MT-SS-303 | MT-GL-303 | 68 lbs. | 4 |
| 36" x 36" | MT-SS-363 | MT-GL-363 | 71 lbs. | 5 |

BUDGET SERIES WITH UNDERSHELF

| O.A. Size WxL | S/S Base | Galv. Base | Approx. Wt. | Approx. Cu. Ft. |
|------------------|------------|------------|----------------|--------------------|
| | Model | Model | | |
| 24" x 24" | SAG-MT-242 | AG-MT-242 | 38 lbs. | 3 |
| 30" x 24" | SAG-MT-302 | AG-MT-302 | 41 lbs. | 3 |
| 30" x 30" | SAG-MT-300 | AG-MT-300 | 52 lbs. | 4 |
| 30" x 36" | SAG-MT-303 | AG-MT-303 | 58 lbs. | 4 |
| 36" x 36" | SAG-MT-363 | AG-MT-363 | 64 lbs. | 5 |

CONSTRUCTION:

All TIG welded. Exposed weld areas polished to match adjacent surface.

Entire Top is mechanically polished to a satin finish and is sound deadened. Countertop edge polished to a MIRROR FINISH.

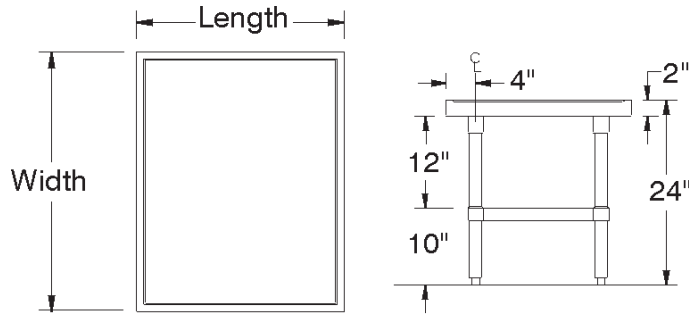
Roll formed embossed galvanized hat channels are secured to top by means of structural adhesive and weld studs.

Gussets welded to support hat channels.

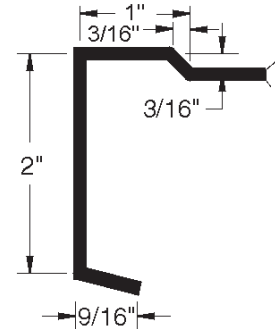
DETAILS and SPECIFICATIONS

TOL ± .500"

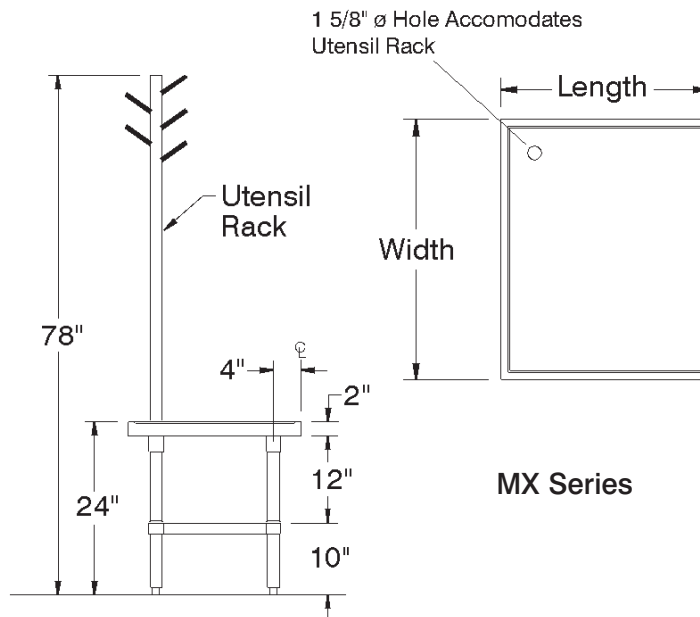
ALL DIMENSIONS ARE TYPICAL



MT, SAG & AG Series



Countertop Edge Detail



MX Series

