



PATENT PENDING

# Sleek Shields™ MULTI-USE FOOD SHIELDS WITH STAINLESS STEEL SHELF

Protected By: U.S. Patent No. 11,129,484

**Quickly Converts From Full-Service Style  
To Self-Service Style**

Item #: \_\_\_\_\_ Qty #: \_\_\_\_\_  
 Model #: \_\_\_\_\_  
 Project #: \_\_\_\_\_



DSG-12S-48 Glass Positioned For Self-Service Style  
(Shown with Optional SG-1 Surface Mounting Brackets)

DSG-12S-48 Glass Positioned For Full-Service Style  
(Shown with Optional SG-1 Surface Mounting Brackets)



**FEATURES:**

- Bottom front glass locks in place at 3 fixed positions
- Entire glass front rotates for easy cleaning
- Stainless steel 1" diameter Posts
- Includes Two 18" Wide Glass Side Panels
- 1/4" Thick Heat-Tempered Glass Side Panels
- 3/8" Thick Heat-Tempered Glass Fronts
- Stainless Steel Top Shelf

**CONSTRUCTION:**

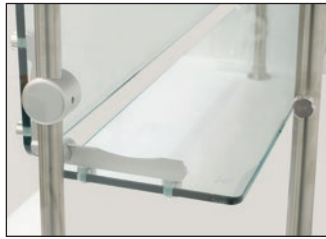
All TIG welded  
 Exposed stainless steel surfaces polished to a satin finish

**MATERIAL:**

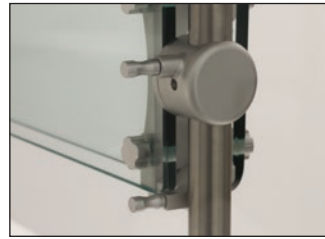
18 Ga., Type 430 Stainless Steel shelf  
 1/4" Thick Heat-Tempered Side Glass  
 3/8" Thick Heat-Tempered Glass Fronts  
 1" Posts - Stainless Steel  
 Chamber Lock™ Sleek Shield Assemblies - Anodized Aluminum.  
 Finish - Aluminum components are anodized to a satin finish.  
 Stainless components polished.



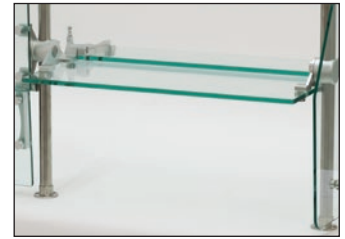
Bottom Glass Flips All The Way Up  
To Become A Self-Serve Unit



Bottom Glass Can be Used As a Shelf



Easy To Use Mechanism  
For Changing Front Glass Positions



Entire Glass Shield Rotates  
For Easy Cleaning

L	12" WIDE	Approx. Wt.	15" WIDE	Approx. Wt.	18" WIDE	Approx. Wt.	Approx. Cubes
36"	DSG-12S-36	131 lbs.	DSG-15S-36	133 lbs.	DSG-18S-36	136 lbs.	18
48"	DSG-12S-48	166 lbs.	DSG-15S-48	169 lbs.	DSG-18S-48	173 lbs.	23
60"	DSG-12S-60	191 lbs.	DSG-15S-60	196 lbs.	DSG-18S-60	199 lbs.	29
72"	DSG-12S-72	237 lbs.	DSG-15S-72	245 lbs.	DSG-18S-72	250 lbs.	34
84"	DSG-12S-84†	276 lbs.	DSG-15S-84†	279 lbs.	DSG-18S-84†	286 lbs.	39
96"	DSG-12S-96†	312 lbs.	DSG-15S-96†	314 lbs.	DSG-18S-96†	323 lbs.	44
108"	DSG-12S-108†	346 lbs.	DSG-15S-108†	353 lbs.	DSG-18S-108†	359 lbs.	49
120"	DSG-12S-120†	382 lbs.	DSG-15S-120†	389 lbs.	DSG-18S-120†	397 lbs.	55
132"	DSG-12S-132†	420 lbs.	DSG-15S-132†	428 lbs.	DSG-18S-132†	437 lbs.	60
144"	DSG-12S-144††	455 lbs.	DSG-15S-144††	465 lbs.	DSG-18S-144††	473 lbs.	65

† Requires a single pair of center legs    †† Requires two pairs of center legs



Customer Service Available To Assist You 1-800-645-3166 8:30 am - 7:00 pm E.S.T.

For Orders & Customer Service:

Email: customer@advancetabco.com or Fax: 631-242-6900

For Smart Fabrication™ Quotes:

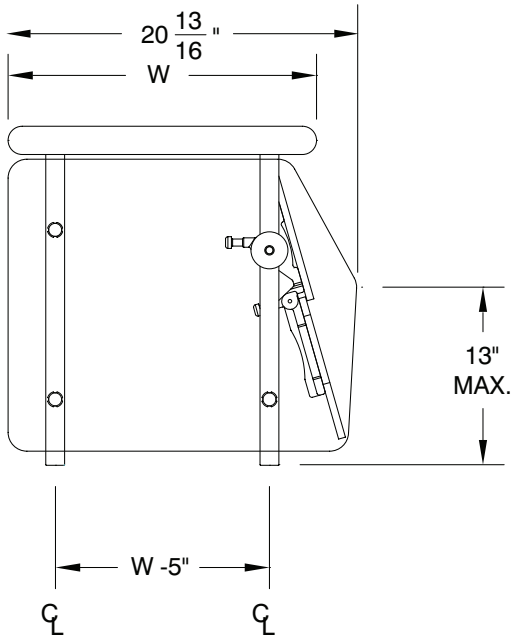
Email: smartfab@advancetabco.com or Fax: 631-586-2933

# DETAILS and SPECIFICATIONS

TOL ± .500"

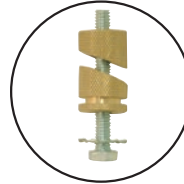
ALL DIMENSIONS ARE TYPICAL

## DSG-S SERIES - STAINLESS STEEL SHELF

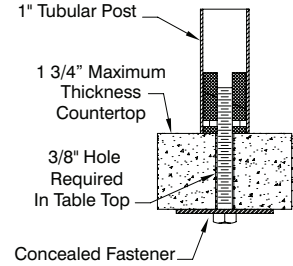


### Standard Concealed Mounting Hardware

Requires access below counter for installation.



Brass Expander Table Mounting Hardware Included. For traditional undermount installation (1" tubing only)



### Optional Accessories

#### Surface Mounting Brackets

Use when access below countertop is not available.



**SG-1**  
Fits 1" Posts  
2" O.A. Diameter

(Compatible With All Advance Tabco Food Shields)

