



STAINLESS STEEL DISHTABLES ISLAND CLEAN

NEW Tile Edge Design



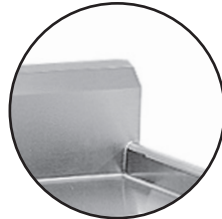
SPEC-LINE
DTC-G70-60R Shown

**Optional Stainless Steel
UNDERSHELF
Die Cast LEG CLAMP**

secured to shelf eliminates
unsightly nuts & bolts



**10-1/2" EXTRA LARGE
Bold Looking Backsplash
with 2" return and tile edge**



Item #: _____ Qty #: _____
 Model #: _____
 Project #: _____

Spec-Line: 14 ga. 304 Series Stainless Steel Top.
 16 ga. 304 Stainless Steel Legs Stainless Steel Legs
 with Welded Cross Bracing & Stainless Steel Bullet Feet.

UPGRADED!
Standard: 16 ga. 304 Series Stainless Steel Top.
 16 ga. 304 Stainless Steel Legs Stainless Steel Legs
 with Welded Cross Bracing & Stainless Steel Bullet Feet.

Super Saver: 16 ga. 304 Series Stainless Steel Top.
 Galvanized Legs with Plastic Bullet Feet.

FEATURES:
 Tile edge for ease of installation.
 Dishtable system consists of SOIL and CLEAN sections.
 Table is furnished with 10-1/2" splash with a 2" return.

CONSTRUCTION:
 All TIG welded.
 Welded areas blended to match adjacent surfaces and to a
 satin finish.
 Stainless Steel Gussets welded to a stainless steel
 support channel.

ACCESSORIES	Model #	Qty
Undershelf		
Wall Shelf		

Nominal sizing on all
dishtables for ease of
installation.

Nominal Size	"L"	14 Gauge 304 16 Ga. Stainless Steel Legs			16 Gauge 304 Stainless Steel Legs			16 Gauge 304 Galvanized Legs			Approx. Wt.
		SPEC-LINE	STANDARD	SUPER SAVER	SPEC-LINE	STANDARD	SUPER SAVER				
4 Ft.	47"	DTC-G30-48L or R	DTC-G70-48L or R	DTC-G60-48L or R	DTC-G30-48L or R	DTC-G70-48L or R	DTC-G60-48L or R	DTC-G30-48L or R	DTC-G70-48L or R	DTC-G60-48L or R	145 lbs.
5 Ft.	59"	DTC-G30-60L or R	DTC-G70-60L or R	DTC-G60-60L or R	DTC-G30-60L or R	DTC-G70-60L or R	DTC-G60-60L or R	DTC-G30-60L or R	DTC-G70-60L or R	DTC-G60-60L or R	165 lbs.
6 Ft.	71"	DTC-G30-72L or R	DTC-G70-72L or R	DTC-G60-72L or R	DTC-G30-72L or R	DTC-G70-72L or R	DTC-G60-72L or R	DTC-G30-72L or R	DTC-G70-72L or R	DTC-G60-72L or R	190 lbs.
7 Ft.	83"	DTC-G30-84L or R	DTC-G70-84L or R	DTC-G60-84L or R	DTC-G30-84L or R	DTC-G70-84L or R	DTC-G60-84L or R	DTC-G30-84L or R	DTC-G70-84L or R	DTC-G60-84L or R	205 lbs.
8 Ft.	95"	DTC-G30-96L or R	DTC-G70-96L or R	DTC-G60-96L or R	DTC-G30-96L or R	DTC-G70-96L or R	DTC-G60-96L or R	DTC-G30-96L or R	DTC-G70-96L or R	DTC-G60-96L or R	215 lbs.
9 Ft.	107"	DTC-G30-108L or R	DTC-G70-108L or R	DTC-G60-108L or R	DTC-G30-108L or R	DTC-G70-108L or R	DTC-G60-108L or R	DTC-G30-108L or R	DTC-G70-108L or R	DTC-G60-108L or R	310 lbs.
10 Ft.	119"	DTC-G30-120L or R	DTC-G70-120L or R	DTC-G60-120L or R	DTC-G30-120L or R	DTC-G70-120L or R	DTC-G60-120L or R	DTC-G30-120L or R	DTC-G70-120L or R	DTC-G60-120L or R	340 lbs.
12 Ft.	143"	DTC-G30-144L or R	DTC-G70-144L or R	DTC-G60-144L or R	DTC-G30-144L or R	DTC-G70-144L or R	DTC-G60-144L or R	DTC-G30-144L or R	DTC-G70-144L or R	DTC-G60-144L or R	360 lbs.



Customer Service Available To Assist You 1-800-645-3166 8:30 am - 7:00 pm E.S.T.

For Orders & Customer Service:
 Email: customer@advancetabco.com or Fax: 631-242-6900

For Smart Fabrication™ Quotes:
 Email: smartfab@advancetabco.com or Fax: 631-586-2933

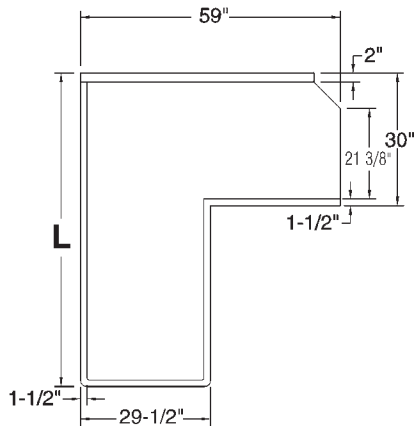
DIMENSIONS and SPECIFICATIONS

TOL ± .500"

ALL DIMENSIONS ARE TYPICAL

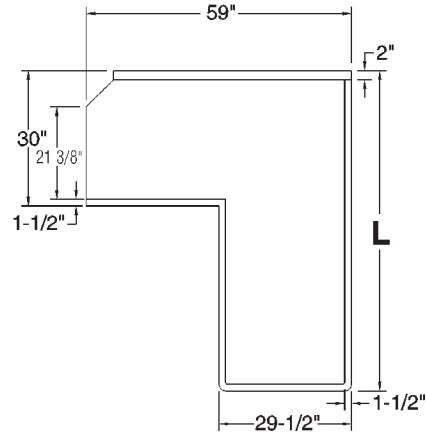
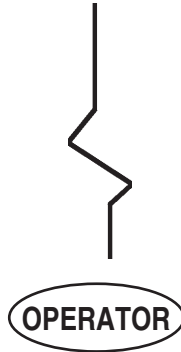
SEE DISH MACHINE COMPATIBILITY CHART TO ENSURE PROPER FIT

Dish Machine Compatibility Chart can be found on our website at www.advancetabco.com under "Product Support"

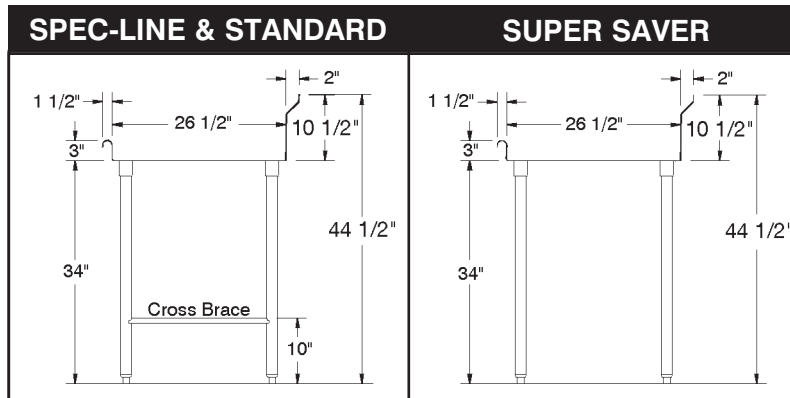


ISLAND CLEAN LEFT

DISH
MACHINE

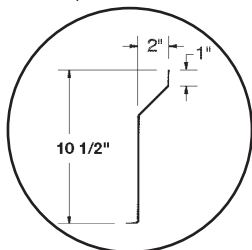


ISLAND CLEAN RIGHT



*CUSTOMIZE YOUR OWN SYSTEM
by Ordering Optional Accessories from our
PRODUCT & PRICE GUIDE*

Splash Detail



Description	SPEC-LINE	STANDARD	SUPER SAVER
Material	14 Ga. 304 Series	16 Ga. 304 Series	16 Ga. 304 Series
1 5/8" Dia. Legs	Stainless Steel	Stainless Steel	Galvanized
Gussets	Stainless Steel	Stainless Steel	Stainless Steel
Bullet Feet (1" adj.)	Stainless Steel	Stainless Steel	Plastic
Cross Bracing	Welded	Welded	Optional

