



STAINLESS STEEL DISHTABLES CORNER CLEAN

NEW Tile Edge Design



SPEC-LINE
DTC-K70-60L Shown

Item #: _____ Qty #: _____
 Model #: _____
 Project #: _____

Spec-Line: 14 ga. 304 Series Stainless Steel Top.
 16 ga. 304 Stainless Steel Legs Stainless Steel Legs
 with Welded Cross Bracing & Stainless Steel Bullet Feet.

UPGRADED!
Standard: 16 ga. 304 Series Stainless Steel Top.
 16 ga. 304 Stainless Steel Legs Stainless Steel Legs
 with Welded Cross Bracing & Stainless Steel Bullet Feet.

Super Saver: 16 ga. 304 Series Stainless Steel Top.
 Galvanized Legs with Plastic Bullet Feet.

FEATURES:

Tile edge for ease of installation.
 Dishtable system consists of SOIL and CLEAN sections.
 Table is furnished with 10-1/2" splash with a 2" return.

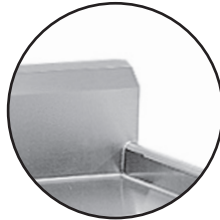
CONSTRUCTION:

All TIG welded.
 Welded areas blended to match adjacent surfaces and to a satin finish.
 Stainless Steel Gussets welded to a stainless steel support channel.

**Optional Stainless Steel
 UNDERSHELF**
Die Cast LEG CLAMP
 secured to shelf eliminates
 unsightly nuts & bolts



**10-1/2" EXTRA LARGE
 Bold Looking Backsplash
 with 2" return and tile edge**



| ACCESSORIES | Model # | Qty |
|-------------|---------|-----|
| Wall Shelf | | |
| Undershelf | | |
| | | |
| | | |

| Nominal Size | "L" | 14 Gauge 304 16 Ga. Stainless Steel Legs | | | 16 Gauge 304 Stainless Steel Legs | | | 16 Gauge 304 Galvanized Legs | | | Approx. Wt. |
|--------------|------|---|--|--|--------------------------------------|--|--|---------------------------------|--|--|-------------|
| | | SPEC-LINE | | | STANDARD | | | SUPER SAVER | | | |
| 4 Ft. | 47" | DTC-K30-48L or R | | | DTC-K70-48L or R | | | DTC-K60-48L or R | | | 145 lbs. |
| 5 Ft. | 59" | DTC-K30-60L or R | | | DTC-K70-60L or R | | | DTC-K60-60L or R | | | 165 lbs. |
| 6 Ft. | 71" | DTC-K30-72L or R | | | DTC-K70-72L or R | | | DTC-K60-72L or R | | | 190 lbs. |
| 7 Ft. | 83" | DTC-K30-84L or R | | | DTC-K70-84L or R | | | DTC-K60-84L or R | | | 205 lbs. |
| 8 Ft. | 95" | DTC-K30-96L or R | | | DTC-K70-96L or R | | | DTC-K60-96L or R | | | 215 lbs. |
| 9 Ft. | 107" | DTC-K30-108L or R | | | DTC-K70-108L or R | | | DTC-K60-108L or R | | | 330 lbs. |
| 10 Ft. | 119" | DTC-K30-120L or R | | | DTC-K70-120L or R | | | DTC-K60-120L or R | | | 350 lbs. |
| 12 Ft. | 143" | DTC-K30-144L or R | | | DTC-K70-144L or R | | | DTC-K60-144L or R | | | 370 lbs. |

Nominal sizing on all dishtables for ease of installation.



Customer Service Available To Assist You 1-800-645-3166 8:30 am - 7:00 pm E.S.T.

For Orders & Customer Service:
 Email: customer@advancetabco.com or Fax: 631-242-6900

For Smart Fabrication™ Quotes:
 Email: smartfab@advancetabco.com or Fax: 631-586-2933

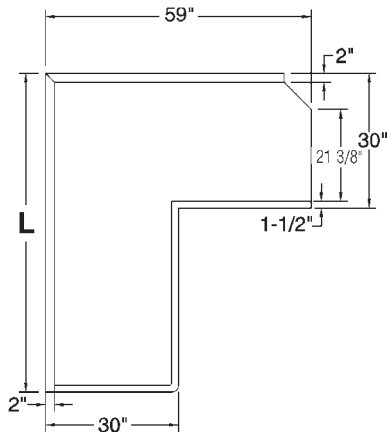
DIMENSIONS and SPECIFICATIONS

TOL ± .500"

ALL DIMENSIONS ARE TYPICAL

SEE DISH MACHINE COMPATIBILITY CHART TO ENSURE PROPER FIT

Dish Machine Compatibility Chart can be found on our website at www.advancetabco.com under "Product Support"

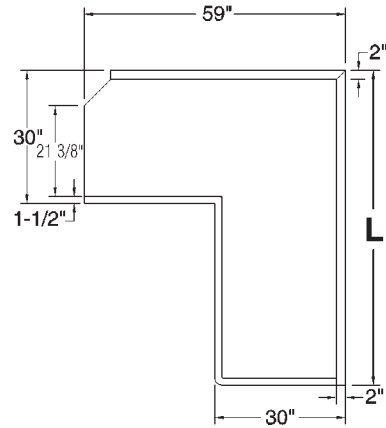


KORNER CLEAN LEFT

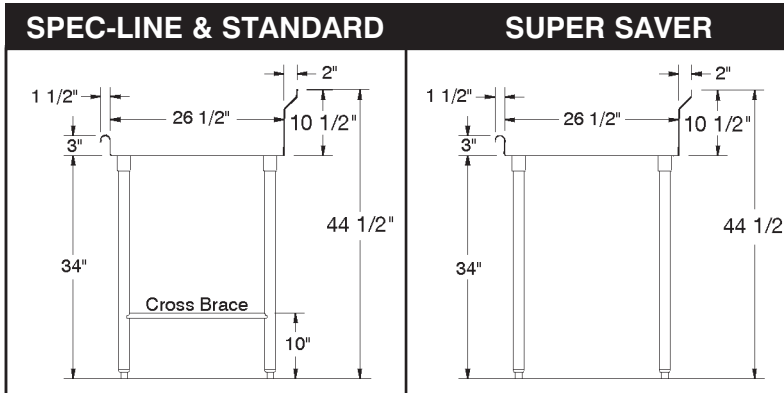
DISH MACHINE



OPERATOR

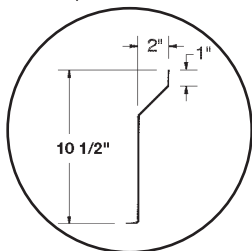


KORNER CLEAN RIGHT



*CUSTOMIZE YOUR OWN SYSTEM
by Ordering Optional Accessories from our
PRODUCT & PRICE GUIDE*

Splash Detail



| Description | SPEC-LINE | STANDARD | SUPER SAVER |
|------------------------------|--------------------------|--------------------------|--------------------------|
| Material | 14 Ga. 304 Series | 16 Ga. 304 Series | 16 Ga. 304 Series |
| 1 5/8" Dia. Legs | Stainless Steel | Stainless Steel | Galvanized |
| Gussets | Stainless Steel | Stainless Steel | Stainless Steel |
| Bullet Feet (1" adj.) | Stainless Steel | Stainless Steel | Plastic |
| Cross Bracing | Welded | Welded | Optional |

