



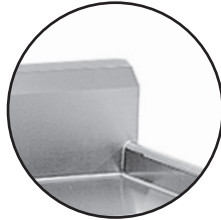
STAINLESS STEEL DISHTABLES DISHLANDING SOIL

NEW Tile Edge Design



SPEC-LINE
DTS-D60-72L Shown

10-1/2" EXTRA LARGE
Bold Looking Backsplash
with 2" return and tile edge



Item #: _____ Qty #: _____
 Model #: _____
 Project #: _____

Spec-Line: 14 ga. 304 Series Stainless Steel Top.
 16 ga. 304 Stainless Steel Legs Stainless Steel Legs
 with Welded Cross Bracing & Stainless Steel Bullet Feet.

UPGRADED!
Standard: 16 ga. 304 Series Stainless Steel Top.
 16 ga. 304 Stainless Steel Legs Stainless Steel Legs
 with Welded Cross Bracing & Stainless Steel Bullet Feet.

Super Saver: 16 ga. 304 Series Stainless Steel Top.
 Galvanized Legs with Plastic Bullet Feet.

FEATURES:

Tile edge for ease of installation.
 STANDARD & SUPERSAVER SOIL section features 5" deep sink bowl.
 SPEC-LINE SOIL section features 8" deep sink bowl.
 Dishtable system consists of SOIL and CLEAN sections.
 Table is furnished with 10-1/2" splash with a 2" return.

CONSTRUCTION:

All TIG welded.
 Welded areas blended to match adjacent surfaces and to a satin finish.
 Stainless Steel Gussets welded to a stainless steel support channel.

MECHANICAL:

Faucet holes in SPLASH punched on 8" centers, faucet not included.
 Waste drain is 1 1/2" IPS basket type and is included.

ACCESSORIES	Model #	Qty
Faucet		
Wall Shelf		
Undershelf		

14 Gauge 304 16 Ga. Stainless Steel Legs	16 Gauge 304 Stainless Steel Legs	16 Gauge 304 Galvanized Legs
---	--------------------------------------	---------------------------------

Nominal Size	"L"	SPEC-LINE	STANDARD	SUPER SAVER	Approx. Wt.
4 Ft.	47"	DTS-D30-48L or R	DTS-D70-48L or R	DTS-D60-48L or R	180 lbs.
5 Ft.	59"	DTS-D30-60L or R	DTS-D70-60L or R	DTS-D60-60L or R	205 lbs.
6 Ft.	71"	DTS-D30-72L or R	DTS-D70-72L or R	DTS-D60-72L or R	230 lbs.
7 Ft.	83"	DTS-D30-84L or R	DTS-D70-84L or R	DTS-D60-84L or R	240 lbs.
8 Ft.	95"	DTS-D30-96L or R	DTS-D70-96L or R	DTS-D60-96L or R	255 lbs.
9 Ft.	107"	DTS-D30-108L or R	DTS-D70-108L or R	DTS-D60-108L or R	320 lbs.
10 Ft.	119"	DTS-D30-120L or R	DTS-D70-120L or R	DTS-D60-120L or R	380 lbs.
12 Ft.	143"	DTS-D30-144L or R	DTS-D70-144L or R	DTS-D60-144L or R	390 lbs.

Nominal sizing on all dishtables for ease of installation.



Customer Service Available To Assist You 1-800-645-3166 8:30 am - 7:00 pm E.S.T.

For Orders & Customer Service:
 Email: customer@advancetabco.com or Fax: 631-242-6900

For Smart Fabrication™ Quotes:
 Email: smartfab@advancetabco.com or Fax: 631-586-2933

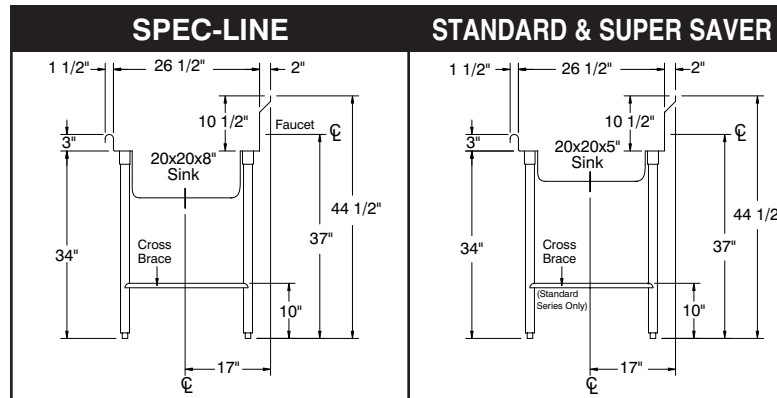
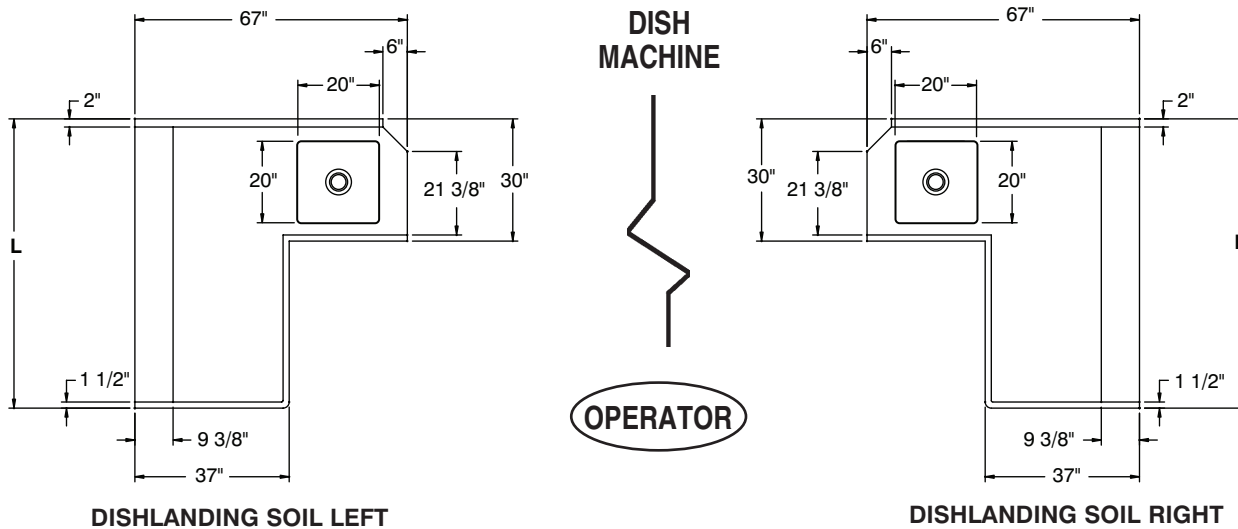
DIMENSIONS and SPECIFICATIONS

TOL ± .500"

ALL DIMENSIONS ARE TYPICAL

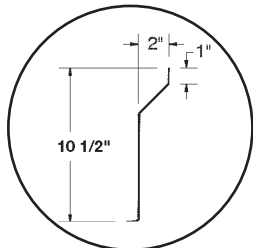
SEE DISH MACHINE COMPATIBILITY CHART TO ENSURE PROPER FIT

Dish Machine Compatibility Chart can be found on our website at www.advancetabco.com under "Product Support"



*CUSTOMIZE YOUR OWN SYSTEM
by Ordering Optional Accessories from our
PRODUCT & PRICE GUIDE*

Splash Detail



Description	SPEC-LINE	STANDARD	SUPER SAVER
Material	14 Ga. 304 Series	16 Ga. 304 Series	16 Ga. 304 Series
1 5/8" Dia. Legs	Stainless Steel	Stainless Steel	galvanized
Gussets	Stainless Steel	Stainless Steel	Stainless steel
Bullet Feet (1" adj.)	Stainless Steel	Stainless Steel	Plastic
Cross Bracing	Welded	Welded	Optional
Prerinse Bowl Depth	8"	5"	5"
Prerinse Basket	Included	Optional	Optional

