
Instructions

Kit Number: KDIL-PN-ID3

Kit Purpose: To lower the ice level in an ED300 ice dispenser when a Scotsman Nugget ice machine is stacked on top of the dispenser.

Kit Contents: Bin thermostat, wire, baffle/cap tube bracket, grommets & fasteners

Other Requirements: Cornelius adapter part number 629087966 and Cornelius agitator kit part number [629088644](#).

Installation Sequence:

1. Agitators
2. Diverting plates
3. Adapter
4. Ice separator
5. thermostat bracket
6. Ice machine
7. Thermostat

Installation: Dispenser

1. Disconnect electrical power from both the ice machine and the dispenser.

2. Replace agitators.

3. Install adapter onto ED300 per its instructions.

4. Install triangular separator into adapter per its instructions.

5. Attach thermostat bracket to separator, using bolts from the Scotsman kit. Bracket mounts inside of front separator flange, and it angles back to the dispenser. Be sure grommets are installed onto bracket's lower holes.

6. Install left and right diverting plates per supplied instructions.

7. Place nugget ice machine onto adapter. Position so that the ice chute is over the drop zone hole in the adapter.

Note: Machine will have to be moved during installation of the bin thermostat. Do not seal to adapter until the bin thermostat installation is complete.

Ice Machine

8. Remove front panel.

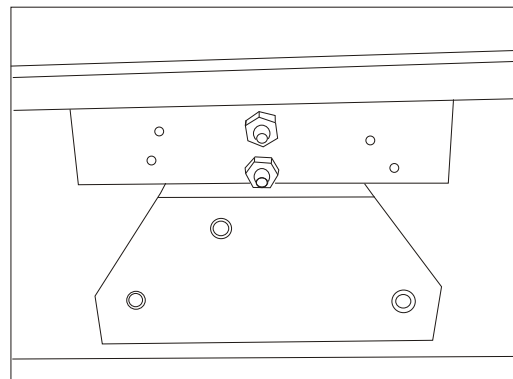
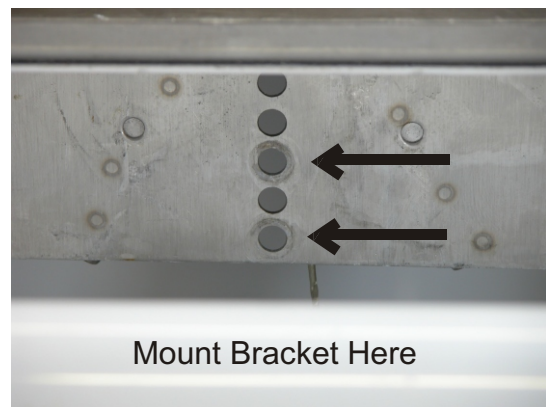
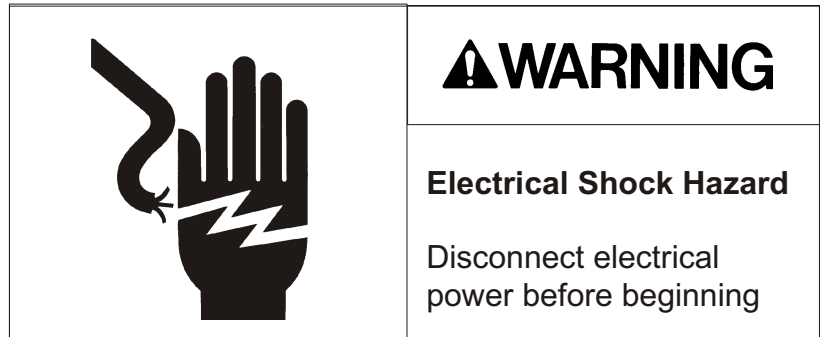
9. Push bail clip back and remove chute cover.

10. Remove ice sweep.

11. Lift chute up and out of base.

12. Uncoil the bin thermostat capillary tube.

13. Mount the thermostat the control box support using the pre-punched holes.



Angle Bracket Back To Ice

14. Open the control box door. Locate the blue wires connected together with an insulated double male quick connect. Disconnect the blue wires at the quick connect.

15. Route the blue wires thru the snap bushing the bottom of the control box and connect them to the thermostat.

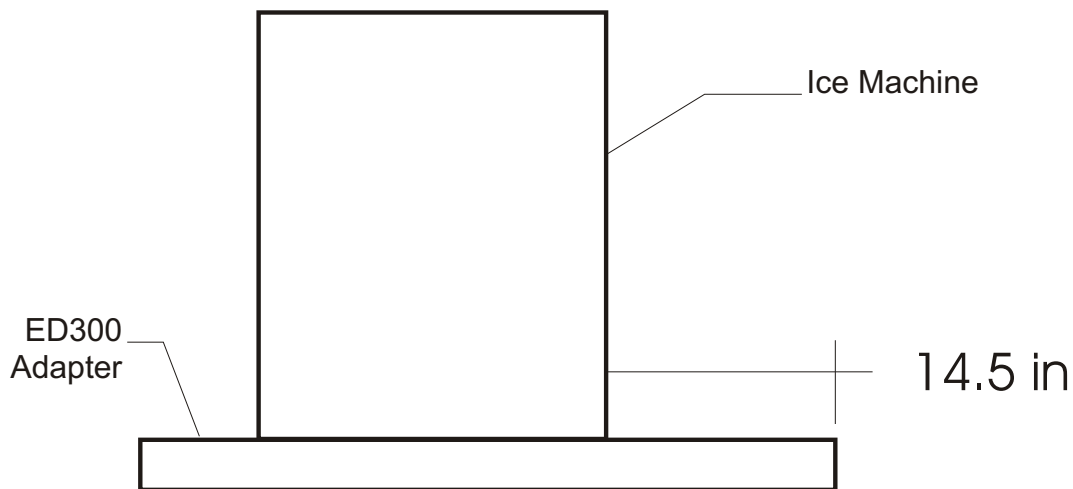
16. Route bin thermostat capillary tube through the space next to the ice chute.

Thermostat Bracket

17. Route thermostat cap tube thru the hole in the top of the separator and down into the dispenser. Pull all of it thru. See Figure A on next page.

18. Thread the cap tube thru the holes in the bracket as shown in Figure B on the next page. A horizontal loop of cap tube will be on the ice side of the bracket.

19. Position the ice machine 14.5" from the right edge of the adapter. This will allow the ice to fall into the dispenser equally to the left and right.



20. Seal the ice machine to the adapter.

Dispenser:

21. Set the agitation for 2 seconds on, 3 hours off.

Reconnect electrical power.

Return all panels and covers to their normal positions and secure with the original screws.

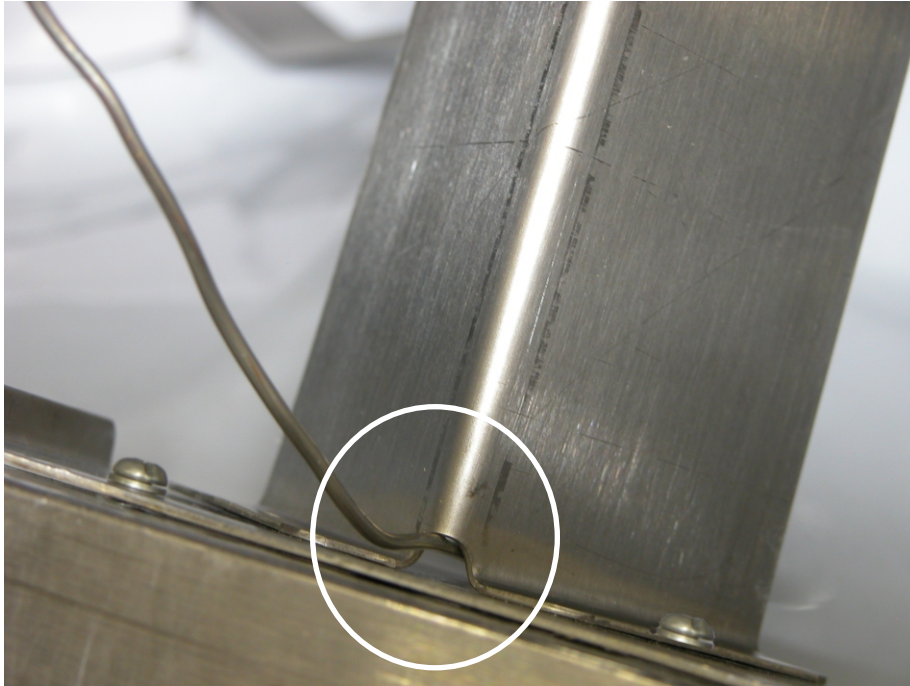


Figure A: Route Cap Tube Thru Hole In Separator

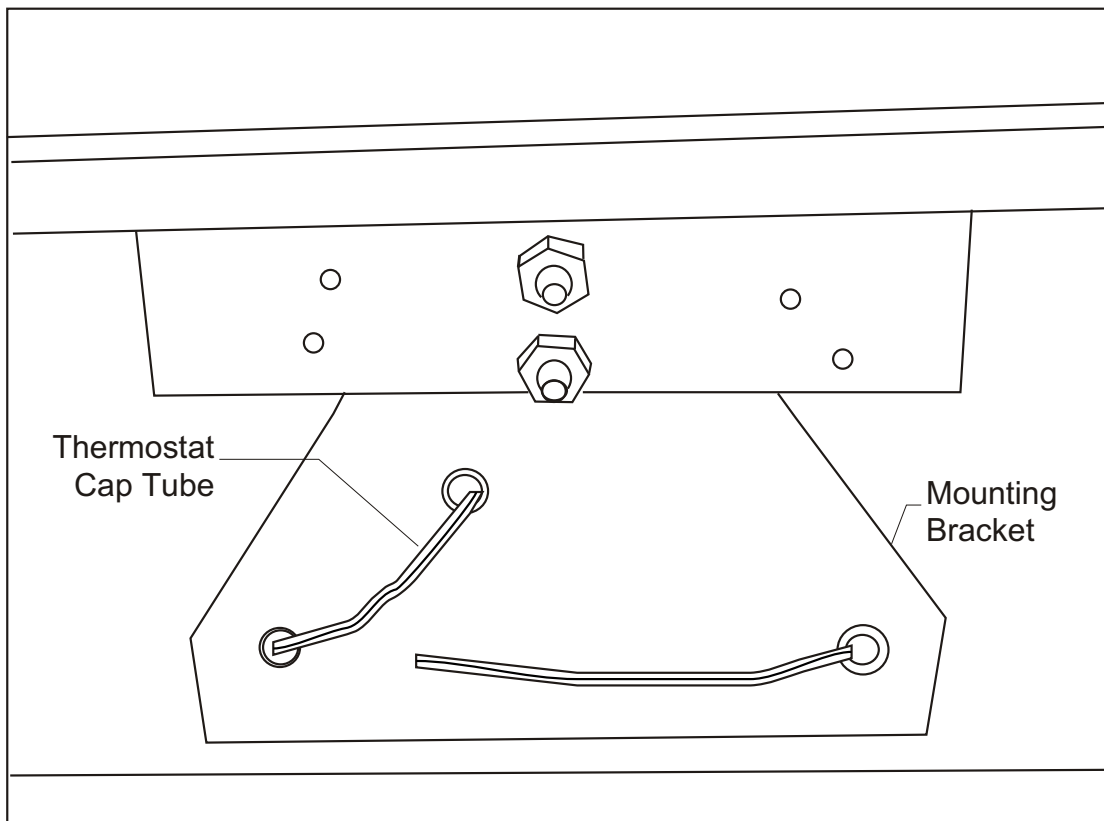


Figure B: Route Cap Tube in Thermostat Bracket