

INSTRUCTIONS
MODELS
INSTRUCTIONS
INSTRUCTIONS
EMPLOIES
EMPLOIES
EMPLOIES

AM16X DISHWASHERS



MODELS

AM16 - BASX
AM16T - BASX

AM16VL - BASX
AM16VLT - BASX

AM16SCBX

AM16VLSCBX



701 S. RIDGE AVENUE
TROY, OHIO 45374-0001

937 332-3000

www.hobartcorp.com

FORM 41235 (June 2022)

Model AM16-BASX



Model AM16T-BASX



Model AM16VL-BASX



Model AM16VLT-BASX



Model AM16SCBX



TABLE OF CONTENTS

GENERAL	4
INSTALLATION	5
Unpacking	5
Installation Codes	5
Location	5
Corner Installation	6
Plumbing Connections	8
Water Requirements	8
Water Supply Connection	8
Drain Connection	9
Venting Requirements	10
Rate of Exhaust Flow Calculations	10
Table A: Heat Dissipation	11
Electrical Connections	11
Voltage Adjustment (380 - 415 Volt Machines Only)	13
Motor Rotation (480-Volt & 50-Hertz Machines Only)	13
Equipment Connections	14
Vent Fan Control	14
Hobart Supplied Detergent, Rinse Aid, and Sanitizer Dispenser Installation	14
Chemical Pump Programming (For Machines Equipped with Hobart Chemical Pumps)	14
Chemical Pump Priming	14
Testing Sanitizer (Chemical Sanitizing Machines)	15
Detergent and Rinse Aid Dispensers (For Machines with Chemical Pumps Supplied by Others)	15
Tubing Installation	15
Detergent Dispenser	15
Rinse Aid Dispenser	16
Detergent and Rinse Aid Dispensers — Equipment Connections	16
Detergent Dispenser	16
Rinse Aid Dispenser	17
OPERATION	18
Preparation	18
Dishwashing	19
Recommended Condense Time (Based on Incoming Water Temp.)	20
CLEANING	22
Dos and Don'ts for Your New Hobart Warewasher	22
PROGRAMMING	24
Manager Menu	24
Manager Menu Parameters	24
MAINTENANCE	27
Wash Arms	27
Motor(s)	27
Chemical Pumps	27
Delime Instructions	27
Delime Process	27
Delime Lockout	28
Delime Lockout Cycle Limit	28
Cleaning Baffles on AM16VLT-BASX Models	28
TROUBLESHOOTING	30
Diagnostic / Error Messages	30
Communication Module	32
SERVICE	34
AM16X Expendable Parts	34

Installation, Operation and Care Of AM16X DISHWASHERS

SAVE THESE INSTRUCTIONS

GENERAL

All AM16X models are shipped from the factory for a straight through configuration and can be easily converted to a corner operation.

The AM16-BASX, AM16T-BASX, AM16VL-BASX and AM16VLT-BASX dishwashers are designed to operate in hot water sanitizing mode only. Designated by the NSF temperature requirements of 150°F Wash and 180°F Rinse. These temperatures can be found on the label located under the controls on the lower part of the machine.

The AM16SCBX and AM16VLSCBX dishwashers are designed to operate in chemical sanitizing mode only. Designated by the NSF temperature requirements of 120°F Wash and 120°F Rinse. These temperatures can be found on the label located under the controls on the lower part of the machine.

The serial number can be found on the machine data label located at the bottom of the front right corner of the machine.

Hobart supplied chemical pumps ship standard with all AM16SCBX and AM16VLSCBX models. Chemical pumps are available as an accessory kit (field installed) for all other models or contact your chemical representative for a chemical feeder system to be supplied and installed by others.

The wash pump motor is rated 2 H.P. and has thermal overload protection.

The fill line incorporates an air gap on all models to prevent any reverse flow of water from the dishwasher into the potable water supply. The unit, once turned on, fills the wash tank to the appropriate level and automatically stops filling once the level is reached. A pressure transducer reads the water level in the wash tank and shuts off the heat supply if the water level becomes too low. When the water returns to the proper level, the heating circuit becomes operational again.

An automatic pumped drain and pumped rinse system are standard on all models.

A frame mounted 7.1kW electric booster water heater is equipped on all hot water sanitizing models. The booster water heater is designed to maintain a minimum final rinse temperature of 180°F provided the incoming water is at least 110°F. For ventless models AM16VL-BASX and AM16VLT-BASX, the booster water heater is designed to maintain a minimum final rinse temperature of 180°F with cold incoming water of at least 55°F.

Models AM16SCBX and AM16VLSCBX are provided with a 4.3kW electric booster water heater. The booster water heater is designed to maintain a minimum final rinse temperature of 120°F provided the incoming water is at least 90°F (120°F recommended).

Ventless models AM16VL-BASX, AM16VLT-BASX, and AM16VLSCBX do not require a vent hood. They use an internal condensing system to minimize the water vapor escaping from the unit during loading and unloading. High-temperature AM16-BASX and AM16T-BASX models typically require a hood or vent over the dishwasher to meet local codes. Low-temperature chemical sanitizing machines or low usage electric heat dishwashers may not require individual venting of the machine if the room is amply exhausted. Refer to pages 10 - 11 for venting and hood requirements. Verify with local code officials for final determination.

INSTALLATION

UNPACKING

Immediately after unpacking the dishwasher, check for possible shipping damage. If this machine is found to be damaged, save the packaging material and contact the carrier within 5 days of delivery.

NOTE: Use caution when using a forklift to remove machine from skid. DO NOT use door lift handle to move machine, as it will cause door lift issues.

Prior to installation, test the electrical service to ensure it agrees with the specifications on the machine data plate. The dishwasher data plate is located at the lower right hand corner of the machine.

INSTALLATION CODES

Installation must be in accordance with state and local codes and the National Electrical Code ANSI/NFPA70 (latest edition). In Canada, the installation code is CSA 22.1 (latest edition).

LOCATION

Before finalizing the location, make sure that consideration has been given for the electrical conduit, water supply, drain connection, venting (if applicable), tabling (if needed), chemical feeder replenishment (if applicable) and adequate clearance for opening the door.

The dishwasher must be level before any connections are made. Turn the threaded feet (Fig. 1) as required to level the machine and adjust to the desired height.

The edge of dish table that overhangs the AM16 wash tank should be turned down and fitted over the top of the dishwasher tank (Fig. 2). Apply an NSF approved sealant between the overhang of the dish table and the inner wall of the wash tank to prevent leakage (Fig. 2). Fasten the dish tables to the inner wall of the wash tank with non-rusting truss head screws or rivets (Fig. 2).

For straight-through installations, 30" clearance at the front and 20" clearance at the right side by 29-1/2" clearance above the finished floor must be provided for service.

NOTE: For 480-volt units, 20" clearance required at left side.

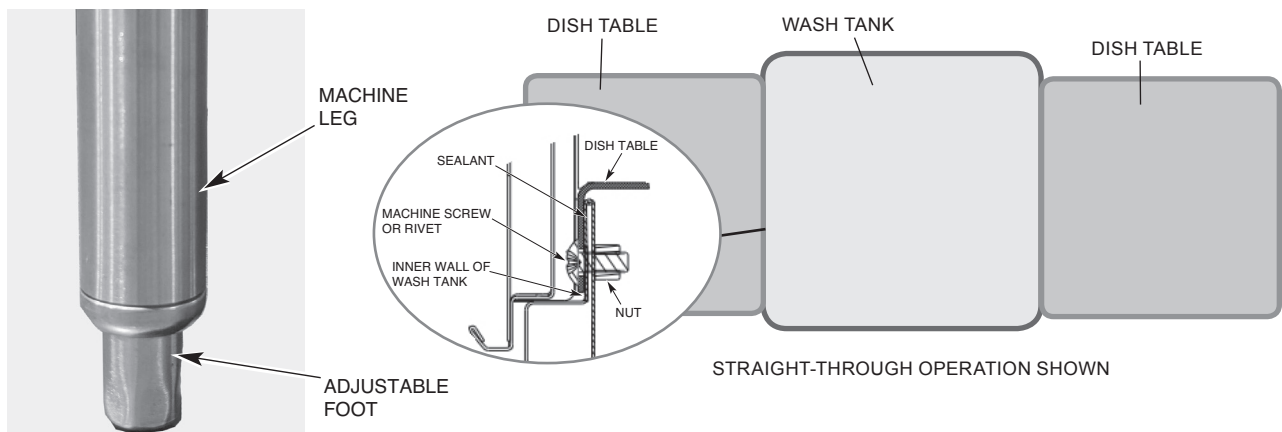


Fig. 1

Fig. 2

Based on dish table design, rear table brackets (Fig. 3) may need to be adjusted or removed. Loosen the two bolts and nuts and adjust or remove as required.



Fig. 3

CORNER INSTALLATION

Before placing the dishwasher in its operating location, check machine configuration. If the machine is being installed in a corner (Figs. 4, 5), clearances of 30" out from the dishwasher under the left-hand tabling by 29-1/2" above the finished floor and 15 inches out from the dishwasher at the right side by 29-1/2" above the finished floor must be provided for servicing. For proper installation of a corner machine, the control and display should be positioned at the front corner for operator access (Fig. 5).

For corner installations, reposition the rack guide to the left side of the rack track using the following procedure (Fig. 6).

1. Remove two nuts and bolts securing front rack guide to rack track and remove rack guide.
2. Position rack guide on left side of rack track aligning holes in rack guide to spacers on rack track.
3. Secure using hardware removed in Step 1. Note: Nuts should be installed on the inside of the rack track.

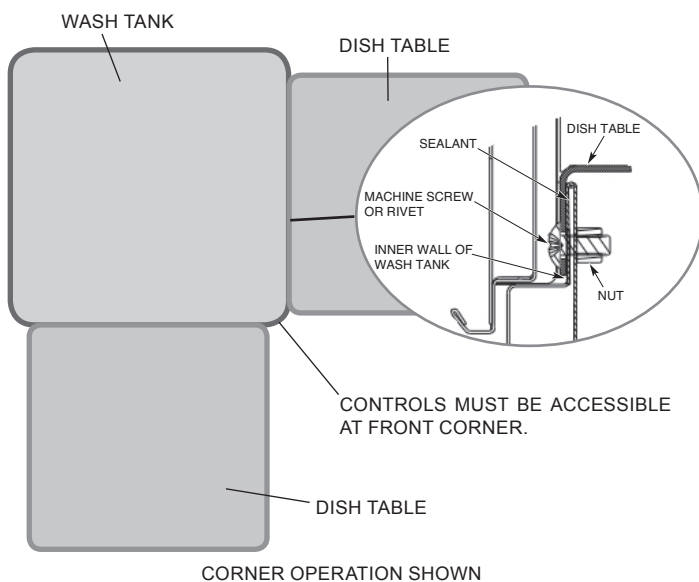


Fig. 4

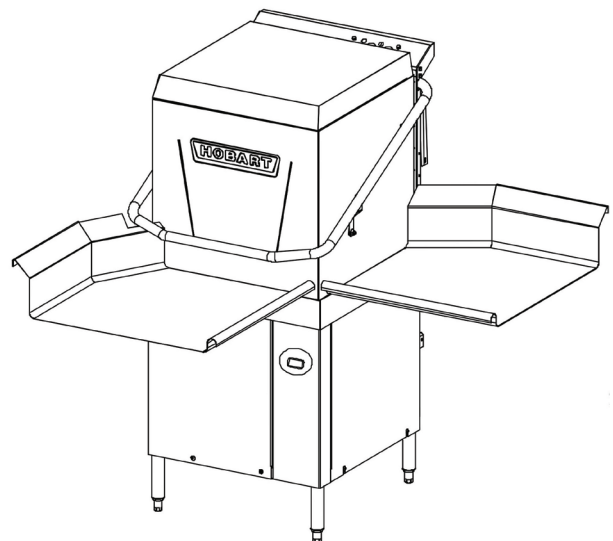


Fig. 5

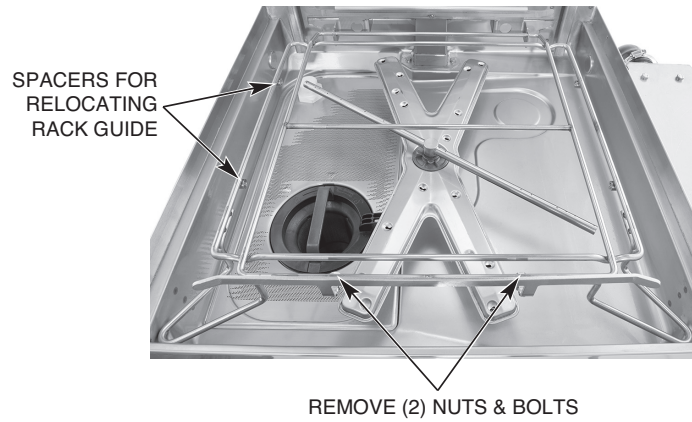
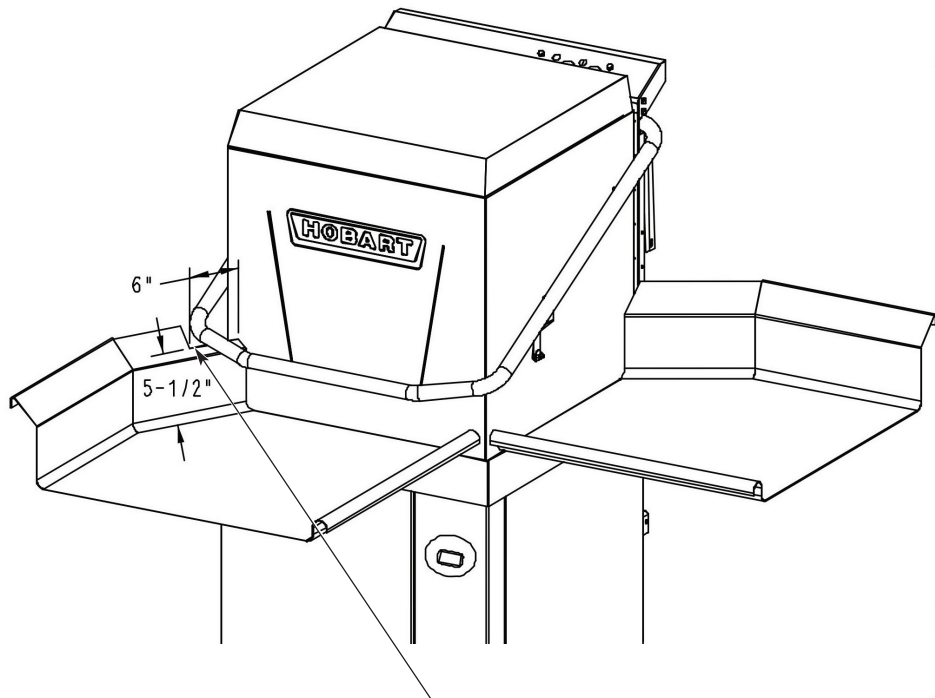


Fig. 6

A splash shield kit is available (at extra cost) for corner installations to prevent excessive splashing on wall. Order sales accessory CORNER-INST-AM16 or service kit part number 00-562156-00001. For installation, refer to 0F-45885 installation instructions supplied with kit.

For corner installations, tabling with backsplashes over 5-1/2" high require that a notch be provided to prevent interference with the door handle (Fig. 7).



A NOTCH MUST BE ADDED TO BACKSPASHES OVER 5-1/2" HIGH ON CORNER MACHINES TO PREVENT INTERFERENCE WITH DOOR HANDLE. NOTCH MUST EXTEND 6" FROM FACE OF THE MACHINE.

Fig. 7

PLUMBING CONNECTIONS

⚠ WARNING Plumbing connections must comply with applicable sanitary, safety and plumbing codes.

Water Requirements

Proper water quality can improve ware washing performance by reducing spotting, enhancing effectiveness of labor and extending equipment life. Water conditions vary from one location to another. The recommended proper water treatment for effective and efficient use of this equipment will also vary depending on the local water conditions. Ask your municipal water supplier for details about local water conditions prior to installation.

Recommended water hardness is 3 grains of hardness per gallon or less. Higher hardness may cause excessive formation of lime scale. Water hardness above 3 grains per gallon requires water treatment. Water treatment has been shown to reduce costs associated with machine cleaning, reduce deliming of the dishwasher and reduce detergent usage in the dishwasher. Chlorides must not exceed 50 ppm.

NOTICE High iron levels in the water supply can cause staining and may require an iron filter. High chloride levels in the water supply can cause pitting and may require a chloride removal system. Contact your local water treatment professional for proper water treatment.

Sediment may require a particulate filter. Dissolved solids may require water treatment such as a water softener, reverse osmosis system, etc. Contact your local water treatment professional for proper water treatment.

If an inspection of the dishwasher or booster heater reveals lime build-up after the equipment has been in service, water treatment is recommended. If a water softener is already in place, ensure there is a sufficient level of salt. Contact your Hobart Service office for specific recommendations.

Water Supply Connection

The plumber connecting this machine is responsible for making certain that water lines are THOROUGHLY FLUSHED OUT BEFORE connecting to the dishwasher. This "flush-out" is necessary to remove all foreign matter, such as chips (resulting from cutting or threading of pipes) pipe joint compound from the lines; or, if soldered fittings are used, bits of solder or cuttings from the tubing. Debris, if not removed, may lodge in the dishwasher's plumbing components and render them inoperative. Manual valves or solenoid valves fouled by foreign matter and any expenses resulting from this fouling are NOT the responsibility of the manufacturer and associated repair costs are not covered under warranty. Water supply requirements are as follows:

WATER SUPPLY REQUIREMENTS

Model	Sanitizing Mode	Connection	Water Supply		
			Minimum	Maximum	Recommended
AM16-BASX AM16T-BASX	Hot Water Sanitizing	Hot Water	110°F (43°C)	N/A	140°F (60°C)
AM16VL-BASX AM16VLT-BASX	Hot Water Sanitizing	Cold Water	55°F (13°C)	90°F (32°C)	65°F (18°C)
AM16SCBX	Chemical Sanitizing	Hot Water	90°F (32°C)	N/A	120°F (49°C)
AM16VLSCBX	Chemical Sanitizing	Hot Water	90°F (32°C)	N/A	120°F (49°C)
		Cold Water	55°F (13°C)	90°F (32°C)	65°F (18°C)

AM16VLSCBX models require both a cold water supply and a hot water supply.

NOTICE On AM16VL-BASX, AM16VLT-BASX and AM16VLSCBX installations, the cold water supply must not exceed 90° F (32° C) for proper operation. Optimal results are obtained when cold water supply temperature is below 65° F (18° C). For best results, it may be necessary to use 1/2" pipe for cold water pipe size and minimize the distance between the dishwasher and the entrance into the building. Pipe insulation will also improve results.

If cold water supply temperature is consistently above 90° F (32° C) or if excessive water vapor or steam is entering the dish room after the condensing cycle is complete, contact Hobart Service to increase condensing time.

Required flowing water pressure to the dishmachine is 15 – 65 PSIG. If flowing pressures higher than 65 PSIG are present, a pressure regulating valve must be installed in the water line to the dishmachine (by others). If flowing pressure is less than 15 psi, improper machine operation may result. All AM16X models are equipped with a pumped rinse system; therefore, a water pressure gauge is not required and is not supplied with the machine.

NOTICE The water pressure regulator must have a relief bypass. Failure to use the proper type of pressure regulator may result in damage to the unit.

A manual shutoff valve (not supplied) should be installed upstream of the fill hose to accommodate servicing the machine. It is recommended that a line strainer (not supplied) be installed in the supply line between the manual shutoff valve (not supplied) and the connection point on the machine.

All machines ship standard with a 96" long stainless steel braided fill hose with a 3/4" female garden hose fitting. A second fill hose is shipped for machines equipped with both hot and cold water connections. Make plumbing connections with 1/2" minimum copper piping OD (3/4" recommended), with a 3/4" male garden hose fitting (not supplied).

Drain Connection

A drain hose, 5/8" inside diameter and 6' long, is provided with machine. This should be securely plumbed into a drain. Use care not to kink the hose. Drain must have a minimum flow capacity of 18.5 gallons per minute. The drain hose height cannot exceed 40" above finished floor.

If a grease trap is required by code, it should have a minimum flow capacity of 18.5 gallons per minute.

For -BASX and VL-BASX models, pumped drain air gap kit is available through sales using accessory code PUMPDRN-AIRGAP or service kit part # 00-562492.

VENTING REQUIREMENTS

NOTE: Any listed and labeled factory-built commercial exhaust hood tested in accordance with UL Standard 710 by a nationally recognized testing laboratory, must be installed according to the terms of its listing and the manufacturer's installation instructions.

Rate of Exhaust Flow Calculations

Based on the 2018 International Mechanical Code.

The minimum net airflow for Type II hoods used for dishwashing appliances shall be 100 cfm per linear foot of hood length. The net quantity of exhaust air shall be calculated by subtracting any airflow supplied directly to a hood cavity from the total exhaust flow rate of a hood.

Ventless models AM16VL-BASX, AM16VLT-BASX and AM16VLSCBX do not require a Type II vent hood. According to 507.3 of the 2018 IMC, Type II hoods are not required where the heat and moisture load is incorporated into the HVAC system design. See Table A (page 11) for heat dissipation or heat gain to space.

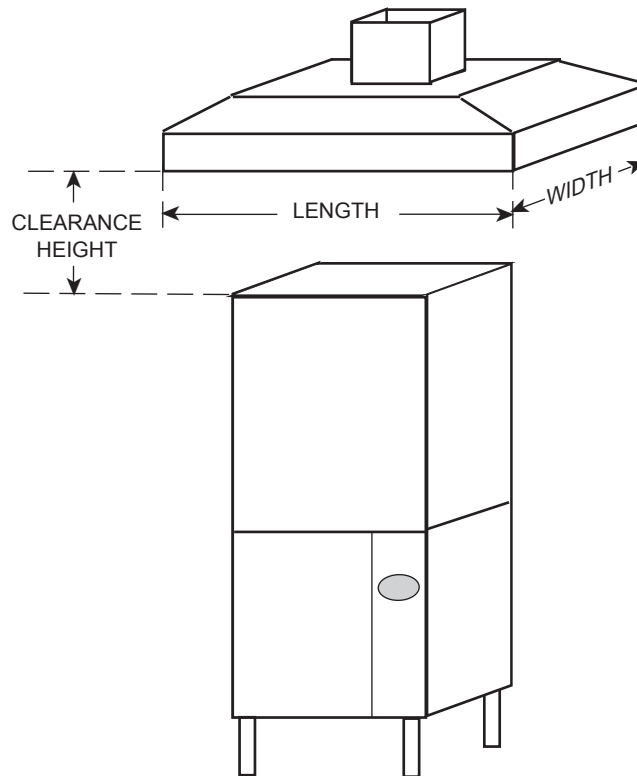


Fig. 8

TABLE A: HEAT DISSIPATION

	Model	Electric Heat	Electric Booster		Latent Heat (BTU/HR)	Sensible Heat (BTU/HR)
Hot Water Sanitizing	AM16-BASX	X	X		7,800	4,000
	AM16T-BASX	X	X		12,300	5,700
	AM16VL-BASX	X	X		4,300	3,500
	AM16VLT-BASX	X	X		6,800	5,000
Chemical Sanitizing	AM16SCBX	X	X		3,570	6,700
	AM16VLSCBX	X	X		3,600	4,200

- Assumptions:
1. Machines operate 70% of each hour while in use.
 2. Values shown are heat that enters room.
 3. 70% of heat output is latent, 30% is sensible.

ELECTRICAL CONNECTIONS

⚠ WARNING Electrical and grounding connections must comply with the applicable portions of the National Electrical Code, NFPA 70 (latest edition) and / or other local electrical codes.

⚠ WARNING Disconnect the electrical power to the machine (both dishwasher and booster if applicable) and follow lockout / tagout procedures. Be sure all circuits are disconnected.

Refer to the wiring diagram attached inside the right hand trim panel and to the machine data plate for service size requirements when connecting the dishwasher. Also, refer to Electrical Data, shown below.

To access the controls area, remove the right side panel and open the control panel door. The dishwasher electrical service connection can be made at the 3/4" or 1" trade size knock out hole located on the right side at the rear of the machine.

ELECTRICAL DATA

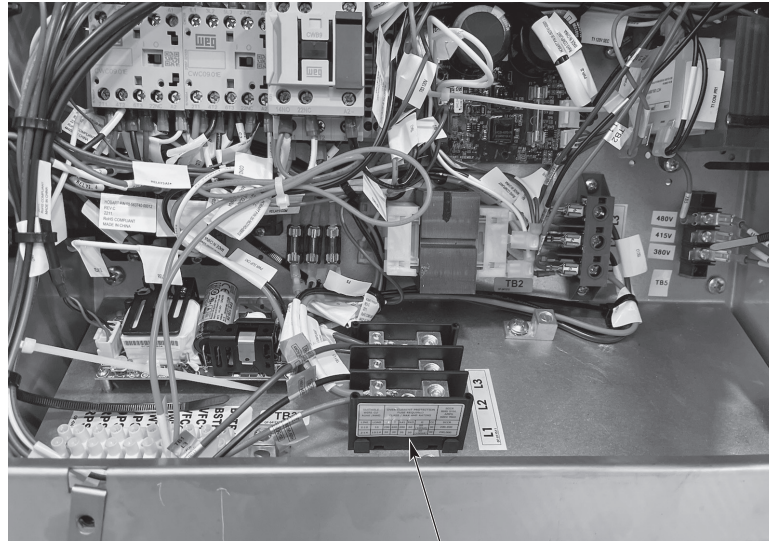
Models	Volts / Hz / Ph	Tank Heat	Minimum Circuit Ampacity Maximum Protective Device AMPS		
			TB1	TB2	Standard Single Point Electrical Connection Dishwasher and Booster (3 Phase Only)
AM16-BASX, AM16T-BASX, AM16VL-BASX, AM16VLT-BASX	208 - 240 / 60 / 1	Electric	50	50	
	208 - 240 / 60 / 3	Electric	30	30	60
AM16-BASX, AM16T-BASX, AM16VL-BASX, AM16VLT-BASX	480 / 60 / 3	Electric	15	15	30
AM16-BASX, AM16T-BASX	200 - 240 / 50 / 3	Electric	30	30	60
	380 - 415 / 50 / 3	Electric	20	20	30
					Standard Single Point Electrical Connection with 4.3 KW Electric Booster
AM16SCBX, AM16VLSCBX	208 / 240 / 60 / 1	Electric			30 - 40 / 35 - 45

Compiled in accordance with the national electrical code, NFPA 70 (latest edition).

A fused disconnect switch or circuit breaker (customer supplied) must be installed in the electrical service line(s) supplying this dishwasher and should meet the requirements of your local electrical code.

All AM16X models, except for the AM16SCBX and AM16VLSCBX models, ship standard with a 3-phase voltage supply and a single point electric configuration. The standard single point electric supply connects to terminal block TB1 in the controls area (Fig. 9). The machine must be grounded according to electrical code(s); a grounding lug is provided.

The AM16SCBX and AM16VLSCBX models ship standard with a single-phase voltage supply and a single point electric configuration. The standard single point electric supply connects to terminal block TB1 in the controls area (Fig. 9). The machine must be grounded according to electrical code(s); a grounding lug is provided.



TB1 TERMINAL BLOCK

Fig. 9

To convert an AM16X model to a dual point electric configuration or to convert from 3-phase to single phase, refer to F-45845 instructions attached inside right hand trim panel of machine.

NOTE: AM16SCBX and AM16VLSCBX models cannot be field converted to a dual point configuration. These models can only be installed with a single-phase, single point electric connection configuration.

Voltage Adjustment (380 - 415 Volt Machines Only)

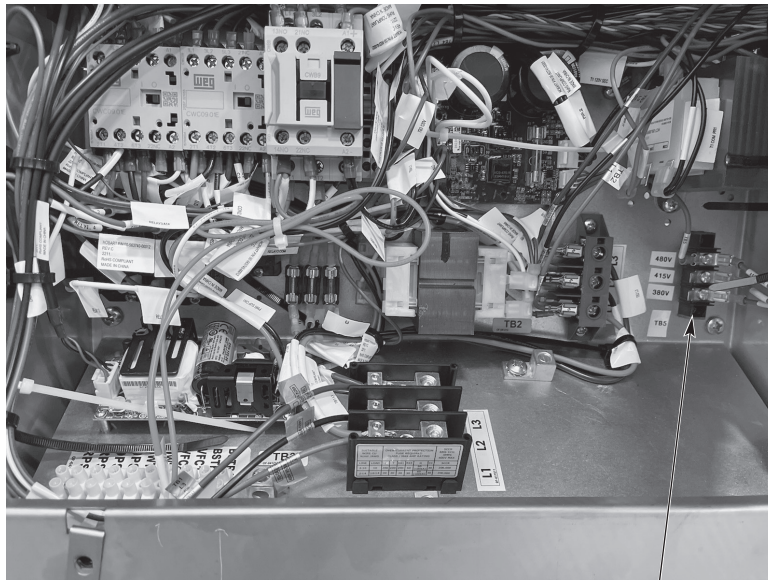
This adjustment procedure applies to all AM16X dishwashers rated at 380 to 415 volts, 50 Hz, 3 phase. All other AM16X dishwasher voltages are preset at the factory and do not require this adjustment procedure.

THIS PROCEDURE MUST BE DONE ONLY BY A QUALIFIED ELECTRICIAN.

If the supply voltage to the machine is 415 volts, no change is necessary. The control circuit transformer [T2] should already be set to operate at 415 volts.

If the supply voltage to the machine is 380 volts, the control circuit transformer [T2] must be changed to operate at 380 volts. To change the tap, relocate the red wire on TB5 terminal block from the 415V tap to the 380V tap.

NOTE: TB5 is located on the controls baseplate located at the lower right side of the machine (Fig. 10).



TB5 TERMINAL BLOCK

Fig. 10

Motor Rotation (480-Volt & 50-Hertz Machines Only)

Before placing machine into service, check wash pump motor for correct rotation by observing motor direction. If pump motor does not rotate in the correct direction, **DISCONNECT ELECTRICAL POWER SUPPLY** and interchange any two of the incoming power supply leads. Reconnect the power supply and verify correct rotation.

EQUIPMENT CONNECTIONS

⚠ WARNING Electrical and grounding connections must comply with the applicable portions of the National Electrical Code, NFPA 70 (latest edition) and / or other local electrical codes.

⚠ WARNING Disconnect the electrical power to the machine (both dishwasher and booster if applicable) and follow lockout / tagout procedures. Be sure all circuits are disconnected.

Vent Fan Control

The vent fan control feature is standard on all non-ventless AM16X models. The vent fan control relay provides switch contacts only and does not provide power to the vent fan motor. The rating for the vent fan control relay connected to terminals VFC1 and VFC2 is 1.5 amps at nameplate supply voltage. When the dishwasher is connected to the vent fan, the vent fan is switched on when the dishwasher is on and off when the dishwasher is off.

HOBART SUPPLIED DETERGENT, RINSE AID AND SANITIZER DISPENSER INSTALLATION

All AM16SCBX and AM16VLSCBX models ship standard with chemical pumps. Chemical pumps are available as an accessory kit for all other models. For standard height machines, order sales accessory code CHEMPUMP-STD-AM16X or service part #00-563068-00004. For tall machines, order sales accessory code CHEMPUMP-HTS-AM16X or service part #00-563069-00005. For installation instructions on the standard height accessory kit, refer to F-45893. For installation instructions on the tall height accessory kit, refer to F-45904.

Chemical Pump Programming (For Machines Equipped with Hobart Chemical Pumps)

The Chemical Dispensing Module is factory preset. The adjustment procedure is to verify or alter settings if chemical dosing changes are required to achieve proper concentrations. Refer to Manager Menu Programming (pages 24 - 26) to adjust chemical settings.

Chemical Pump Priming

All machines equipped with Hobart chemical pumps will prime automatically. If manual priming is required, follow the steps below.

1. Power on the dishwasher. Display shows Ready screen when fill cycle has completed.
2. Press 'Menu' button.
3. With the '>' symbol next to 'Manager Menu', press the 'Enter' button. The 'Enter Security Code' screen will be displayed.
4. The default manager code is 1001. Use the arrow buttons to change the value and then press the 'Enter' button to select the value and toggle to the next digit until the code is entered.
5. After pressing 'Enter' for the last digit, use the down arrow and scroll until the '>' symbol is next to 'Prime Chem Pumps'. Press Enter and the 'Chem Pump Menu' will be displayed.
6. If a chemical(s) is not being detected, 'Replace' will be displayed next to the corresponding chemical(s). With the '>' symbol next to 'Start Prime', press the 'Enter' button. Once the 'Enter' button is pressed, the chemical pump(s) will begin to prime for 90 seconds or until the chemical is detected. If chemical(s) is being detected, 'Ok' will be displayed next to the corresponding chemical(s).
7. To exit the menu once all chemicals are detected, with the '>' symbol next to 'Exit', press the 'Enter' button. Repeat this procedure until the 'Ready' screen is displayed.

Testing Sanitizer (Chemical Sanitizing Machines)

1. Place a serving bowl or mixing bowl upside down on a rack and run it through a cycle.
2. After cycle, dip a sanitizer test strip into the water collected on the surface of the bowl.
3. Compare the test strip to the test scale provided with your testing kit (Fig. 11). If the sanitizer level is out of limits (i.e. below 50 ppm or above 100 ppm), adjust the dosing. Refer to Chemical Pump Programming (page 14), for adjustment instructions, or contact your chemical provider.



Fig. 11

DETERGENT AND RINSE AID DISPENSERS (FOR MACHINES WITH CHEMICAL PUMPS SUPPLIED BY OTHERS)

Tubing Installation

Detergent and rinse aid dispensers not provided by Hobart must have all connections sealed against leakage.

The AM16X Series dishwashers use 0.67 gallons of rinse water per rack at a flow rate of 4.02 gallons per minute. This information is used when setting the detergent and rinse aid pumps.

NOTE: All AM16X models utilize a pumped rinse system; pressure gauge is not required.

Detergent Dispenser

The dishwasher has three 7/8" diameter plugged holes; two on the rear upper tank side walls (one left side, one right side, Fig. 12) and one on the lower front part of the tank (Fig. 13). With the tank empty, remove both plugs to install the detergent dispenser.

- The upper tank holes are for installation of the detergent feeder tube (use left or right side location).
- The lower tank hole is used for installation of the detergent sensor.

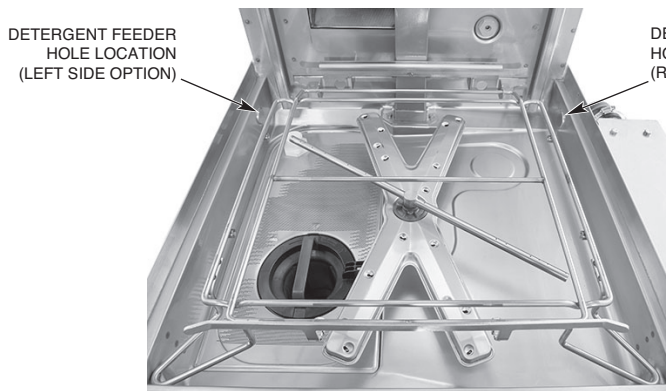


Fig. 12

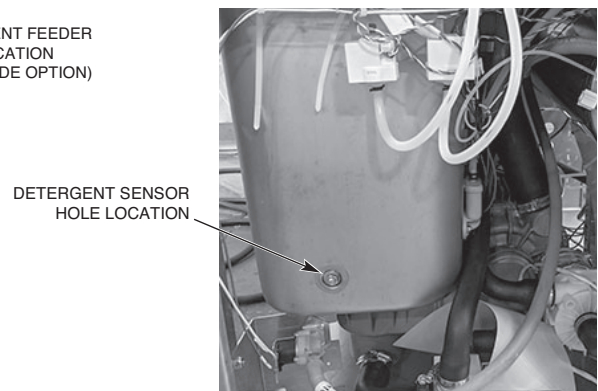


Fig. 13

Rinse Aid Dispenser

Remove the 1/8" NPT plug (Fig. 14 for standard height units, Fig. 15 for tall units) for installation of the rinse aid dispenser tube.



Fig. 14



Fig. 15

DETERGENT AND RINSE AID DISPENSERS — EQUIPMENT CONNECTIONS

⚠ WARNING Electrical and grounding connections must comply with the applicable portions of the National Electrical Code, NFPA 70 (latest edition) and / or other local electrical codes.

⚠ WARNING Disconnect the electrical power to the machine (both dishwasher and booster if applicable) and follow lockout / tagout procedures. Be sure all circuits are disconnected.

This machine must be operated with an automatic detergent feeder including a visual means to verify that detergents are delivered or a visual or audible alarm to signal if detergents are not available for delivery to the respective washing and sanitizing systems. Refer to the installation section of this manual and to the chemical feeder equipment manual(s).

Detergent Dispenser

Terminals DPS1 and DPS2 (Fig. 16) are supplied with controlled machine line voltage. They are ON during the wash cycle and OFF between cycles, when machine is in delime cycle, or when the machine power supply is OFF. **Maximum rating for detergent dispenser connected to DPS1 and DPS2 is 1.5 amps at line voltage.** Check the machine supply voltage and use corresponding feeder transformer voltage. Use UL Listed 600 volt minimum insulated wire for the connections. Do not use bell wire, lamp cord or similar type wire. Splice connections, if required, must be made in the feeder transformer junction box (supplied by others) — not in the main controls enclosure. Use 7/8" diameter hole located at right rear corner of machine for 1/2" trade size conduit fitting. Remove the right side panel. Strain relief fittings must be provided for all wiring.

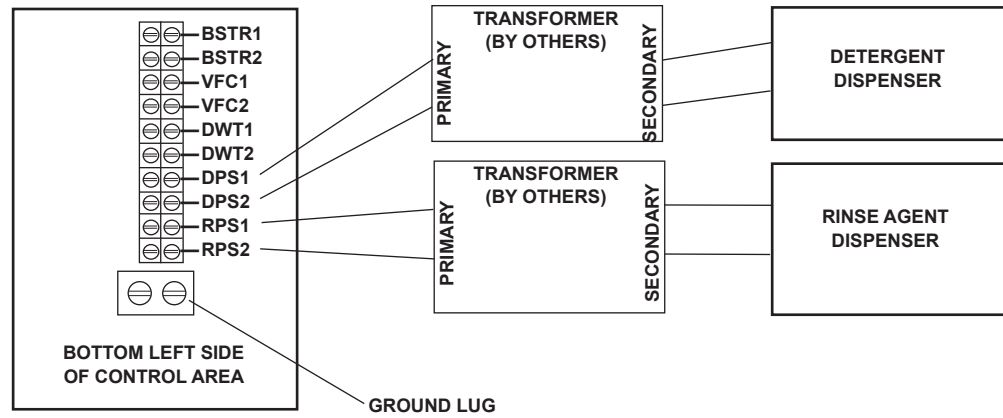


Fig. 16

Rinse Aid Dispenser

Terminals RPS1 and RPS2 (Fig. 16) are supplied with controlled machine line voltage. They are ON during the rinse cycle and OFF between cycles, when machine is in delime cycle, or when the machine power supply is OFF. **Maximum rating for rinse aid dispenser connected to RPS1 and RPS2 is 1.5 amps at line voltage.** Check the machine supply voltage and use corresponding feeder transformer voltage. Use UL Listed 600 volt minimum insulated wire for the connections. Do not use bell wire, lamp cord or similar type wire. Splice connections, if required, must be made in the feeder transformer junction box (supplied by others) — not in the main controls enclosure. Use 7/8" diameter hole located at right rear corner of machine for 1/2" trade size conduit fitting. Strain relief fittings must be provided for all wiring.

OPERATION

PREPARATION

The standpipe must be in its proper location below the strainer basket (Fig. 17). Place the strainer pan and the strainer basket in their proper positions (Fig. 18).



Fig. 17

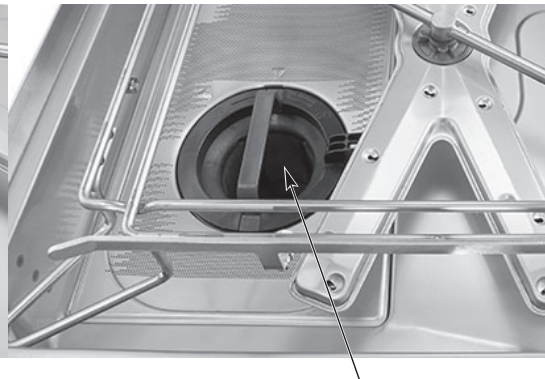


Fig. 18

NOTE: When installing the strainer basket, ensure the basket is in the 'locked' position (Fig. 19).



STRAINER BASKET IN UNLOCKED POSITION



STRAINER BASKET IN LOCKED POSITION

Fig. 19

If machine is not equipped with Hobart built-in chemical pumps, an automatic detergent dispenser is required. Closely follow supplier's instructions.

Close the door. Press the POWER button to turn the power on (Fig. 20). If the machine's door is closed and no water is in the tank, the fill cycle will begin automatically. If water is detected in the tank, the machine will drain the water out prior to filling with fresh water. During the fill cycle, the word FILL is displayed along with an image of a faucet. Throughout the fill cycle, the machine will toggle between the fill mode and a preheating mode. During the preheating mode, WARM UP is displayed along with an image of a thermometer.

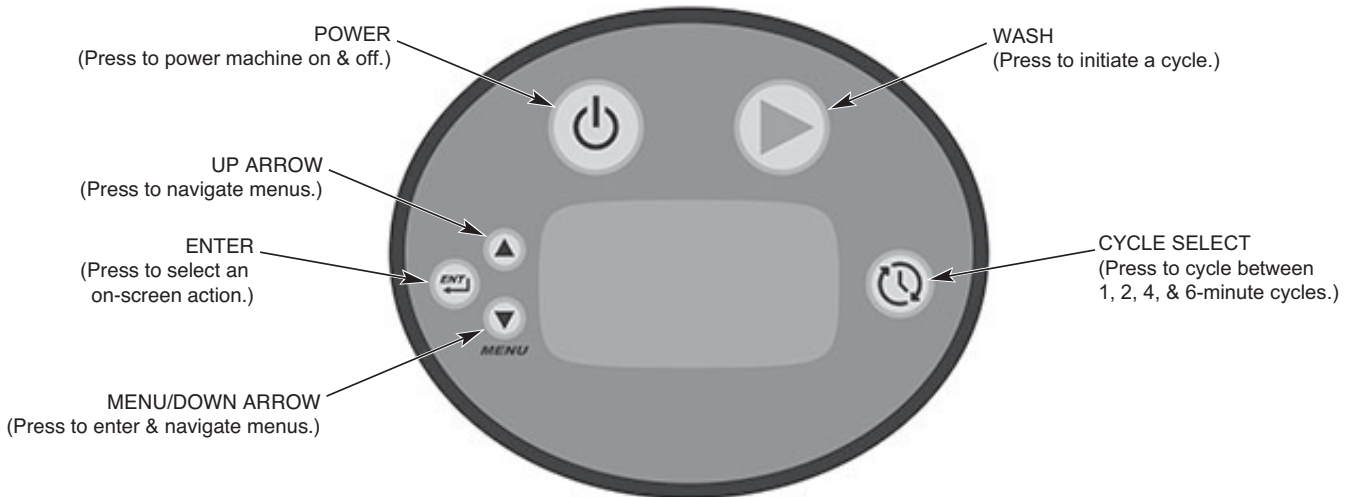


Fig. 20

NOTE: On machines equipped with the energy recovery feature, it may take up to 20 minutes to complete the fill process.

DISHWASHING

Scrape the dishes to remove large particles of food and debris. Never use steel wool on ware to be loaded into the dishmachine.

Arrange the dishes in a rack. Do not stack dishes one on top of another, as water must have free access to all sides of every dish. Stand plates and dishes up edgewise in a peg-type rack (Fig. 21). Cups, glasses and bowls should be inverted in an open-type or compartment-type rack (Fig. 21). Silverware and other small pieces may be scattered loosely over the bottom of a flat bottom rack.

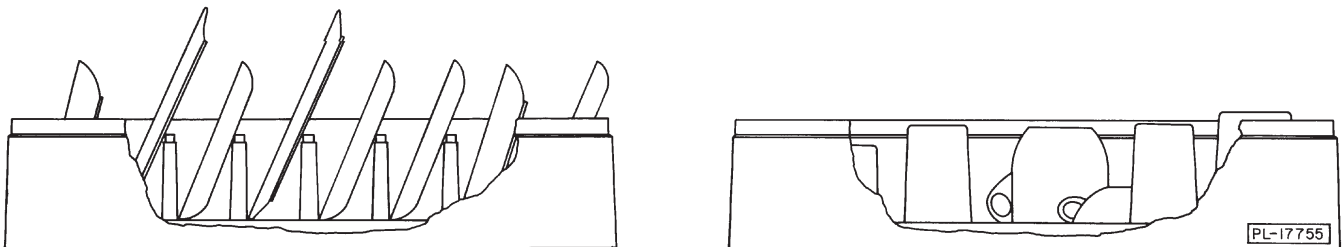


Fig. 21

Do not allow foreign objects to enter the unit, especially metallic contaminants.

Select the wash cycle: 1 for normal serving ware, 2, 4 or 6 for pots and pans.

After filling a rack, open the door, slide rack into the dishwasher and close the door.

Throughout the wash cycle, the tank water temperature is displayed along with the word WASH. During the rinse cycle, the rinse water temperature is displayed, along with the word RINSE and an icon. When the rinse cycle is completed, the readout displays READY and the tank water temperature.

For ventless models, the door must remain closed until the condensing cycle is complete. All ventless models include a lock to prevent the door from opening until the cycle is complete. A condensing progress indicator is displayed during the condensing cycle. Failure to follow these instructions will result in excess steam and water vapor in the dish room.

When the display reads READY, open the door, remove the clean dishes, slide in another rack and close the door.

This dish machine is not meant to be opened until a cycle has completed, but if a dish must be added after the wash cycle has started, open the door slowly, until the pump stops. Wait 10 seconds to allow the wash arm to coast down and to avoid water splashing before opening the door fully.

Operating temperatures for all models are as follows:

Sanitizing Mode	Wash Temperature Minimum Wash	Rinse Temperature Minimum Rinse
Hot Water	150°F (66°C)	180°F (82°C)
Chemical	120°F (49°C)	120°F (49°C)

For "VL" models only – If excessive amounts of steam or water vapor exit the machine after cycle is complete and door is opened, incoming cold water temperature may be too high. Contact Hobart Service to adjust the rinse and condense times according to the adjustment table shown below. Increasing cycle time will increase water consumption and decrease the racks per hour, but should reduce the steam and water vapor entering the dish room.

RECOMMENDED CONDENSE TIME (Based on Incoming Water Temp.)

AM16VL-BASX

Incoming Water Temp. °F (°C)	Condense Time (Sec.)	Rinse Time (Sec.)	Racks per Hour Base Ventless (1 min cycle)
60 (16)	20	10	45
80 (27)	33	11	38
85+ (29+)	36	12	36

AM16VLT-BASX

Incoming Water Temp. °F (°C)	Condense Time (Sec.)	Rinse Time (Sec.)	Racks per Hour Base Ventless (1 min cycle)
60 (16)	30	10	40
65 (18)	33	11	38
70 (21)	36	12	36
75 (24)	39	13	35
80 (27)	42	14	33
85+ (29+)	45	15	32

For AM16SCBX models only – Wash will not start if wash tank temperature is not up to 120°F (49°C) or if booster temperature is not up to 120°F (49°C). During this time, HEATING is shown on the display until wash and rinse temperatures reach 120°F (49°C). If the final rinse temperature does not reach 120°F (49°C), "Rinse Temperature Too Low! Press Power Button To Start Draining" will be displayed and the machine will remain locked until it is drained and refilled.

If sanitizer supply is empty after 3 cycles, "SANITIZER SUPPLY EMPTY, Replace Sanitizer And Press Enter" will be displayed and the machine is inoperable. Replace sanitizer supply and press Enter to prime. Pump will prime for 90 seconds or until sanitizer is detected. If no chemical is sensed, press Enter again.

If detergent supply is empty after 3 cycles, "DETERGENT SUPPLY EMPTY, Replace Detergent And Press Enter" will be displayed and the machine is inoperable. Replace detergent supply and press Enter to prime. Pump will prime for 90 seconds or until detergent is detected. If no chemical is sensed, press Enter again.

CLEANING

The machine must be thoroughly cleaned at the end of each working shift or at least daily. Never use steel wool to clean warewasher surfaces. Use only products formulated to be safe on stainless steel.

1. Press the Power button to drain the machine and power off.
2. Once the display has powered off, open the machine door.
3. Thoroughly cleanse and flush the dishwasher interior. Remove remaining soil with a soft cloth or brush and mild cleanser. Rinse again.
4. Remove and empty the strainer basket, pan and standpipe. Wash and rinse thoroughly.
5. Clean tank bottom. Do not allow food soil to accumulate on the tank bottom or to enter the drain.
6. Ensure upper and lower wash and rinse arms (Figs. 22, 23) rotate freely and are free of any obstructions. If not, remove arms and clear out any obstructions. Refer to Maintenance, page 27.

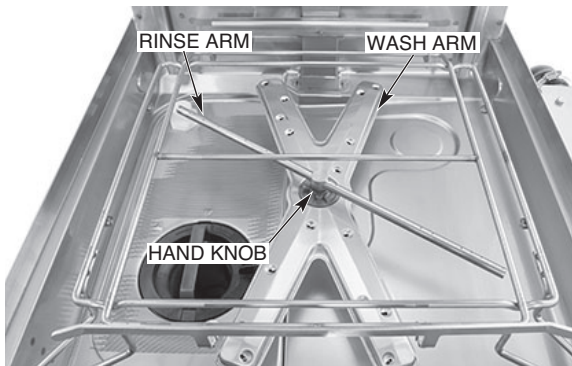


Fig. 22

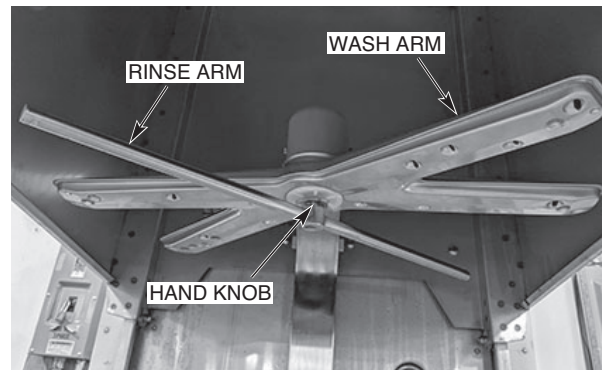


Fig. 23

NOTICE Do not bang wash arms or rinse arms to clean.

7. Replace all removed parts. Leave machine door open to allow interior to air out and dry.

DOS AND DON'TS FOR YOUR NEW HOBART WAREWASHER

DO assure proper water hardness (3 grains or less per gallon is recommended).

DO pre-scrub dishes thoroughly.

DO use only detergents recommended by your chemical professional.

DO at the end of the day, thoroughly cleanse the machine, rinse and dry (leave door open).

DO closely follow your chemical professional's prescribed deliming schedule.

DO use only products formulated to be safe on stainless steel.

DO NOT use detergents formulated for residential dishwashers.

DO NOT allow food soil to accumulate on the tank bottom.

DO NOT exceed chemical manufacturer's recommended concentrations for detergent, sanitizer, rinse aid or lime scale remover.

DO NOT use steel wool to clean ware or warewasher surfaces.

DO NOT allow foreign objects to enter the unit, especially metallic contaminants such as paper clips, retainers, etc.

NOTE: Failure to follow use, care and maintenance instructions may void your Hobart warewasher warranty.

PROGRAMMING

MANAGER MENU

The AM16X dish machines allow customization options for machine operation. To activate or change these features, enter the Manager Menu using the following procedure.

1. Power on dishwasher. Display shows Ready screen when fill cycle has completed.
2. Press 'Menu' button.
3. With the '>' symbol next to 'Manager Menu', press the 'Enter' button. The 'Enter Security Code' screen will be displayed.
4. The default manager code is 1001. Use the arrow buttons to change the value and then press the 'Enter' button to select the value and toggle to the next digit until the code is entered.
5. Use the Up and Down Arrows to toggle thru the Manager Menu.
 - a. Once the '>' symbol is next to the desired selection, press the Enter button.
 - b. For selections that are editable, use the Up and Down arrows to change the value.
 - c. Once the required value is displayed, press the 'Enter' button to save the selection.
6. To exit the programming, use the Up and Down Arrows to scroll thru the parameters until the '>' symbol is next to 'Exit Menu' and press the Enter button. Repeat this procedure until the Ready screen is displayed.

MANAGER MENU PARAMETERS

EDIT PARAMETERS					
Parameter Name	Applicable Models		Description	Possible Values	Default Value
Detergent pump	AM16SCBX AM16VLSCBX		Hobart provided detergent pump operation.	Disabled/ Enabled	Enabled
		AM16(T)-BASX AM16VL(T)-BASX			Disabled
Detergent Flow Rate	AM16SCBX AM16VLSCBX		Detergent flow rate measured in mL per cycle.	OFF to 22.6 mL	6.3 mL
		AM16(T)-BASX AM16VL(T)-BASX			OFF
Rinse Aid Pump	AM16SCBX AM16VLSCBX		Hobart provided rinse aid pump operation.	Disabled/ Enabled	Enabled
		AM16(T)-BASX AM16VL(T)-BASX			Disabled
Rinse Aid Flow Rate	AM16SCBX AM16VLSCBX		Rinse aid flow rate measured in mL per cycle.	OFF to 9.1 mL	3.0 mL
		AM16(T)-BASX AM16VL(T)-BASX			OFF
Sanitizer Flow Rate	AM16SCBX AM16VLSCBX	N/A	Sanitizer flow rate measured in % duty cycle per cycle.	0-100% (by 10's)	50%

EDIT PARAMETERS					
Parameter Name	Applicable Models		Description	Possible Values	Default Value
Delime	AM16SCBX AM16VLSCBX	AM16(T)-BASX AM16VL(T)-BASX	Enables or disables the alert to delime option.	Enabled/ Disabled	Enabled
Delime Lockout	AM16SCBX AM16VLSCBX	AM16(T)-BASX AM16VL(T)-BASX	Machine no longer runs after cycles per delime is reached.	No/Yes	No
Delime Cycle Limit	AM16SCBX AM16VLSCBX	AM16(T)-BASX AM16VL(T)-BASX	Number of times machine power can be cycled before locked out if delime cycle has not been run.	1-10 (by 1's)	10
Temperature Units	AM16SCBX AM16VLSCBX	AM16(T)-BASX AM16VL(T)-BASX	Sets the display units to either Fahrenheit or Celsius.	Fahrenheit/ Celsius	Fahrenheit
Energy Saver Mode	AM16SCBX AM16VLSCBX	AM16(T)-BASX AM16VL(T)-BASX	This setting will control when the machine turns the heaters off in order to save energy when not in use.	Disabled/ 1Hour/ 2Hours/ 3Hours	2 Hours
Language	AM16SCBX AM16VLSCBX	AM16(T)-BASX AM16VL(T)-BASX	Sets the language on the display.	English/ French/ Spanish	English
Wash Program	AM16SCBX AM16VLSCBX	AM16(T)-BASX AM16VL(T)-BASX	Sets the wash cycle time.	1 min, 2 min, 4 min, 6 min	1 min
Door Locked Indic.	AM16VLSCBX	AM16VL(T)-BASX	Indicates when door lock is engaged.	Disabled/ Enabled	Enabled
	AM16SCBX	AM16(T)-BASX			Disabled
Power Down Confirm	AM16SCBX AM16VLSCBX	AM16(T)-BASX AM16VL(T)-BASX	Enables or disables confirmation screen to shut off.	No/Yes	No
Detergent Monitor	AM16SCBX AM16VLSCBX		Enables notification or lockout based on if detergent chemical is sensed.	Disabled/ Enabled/ Lockout Enabled	Lockout Enabled
		AM16(T)-BASX AM16VL(T)-BASX			Disabled
Chemical Pump Loc.	AM16SCBX AM16VLSCBX		Specifies the location of the chemical pumps. Internal for Hobart provided chemical pumps and external for other chemical pumps.	Internal/ External	Internal
		AM16(T)-BASX AM16VL(T)-BASX			External
Sanitizer Monitor	AM16SCBX AM16VLSCBX	N/A	Enables notification or lockout based on if sanitizer chemical is sensed.	Enabled/ Disabled/ Lockout Enabled	Lockout Enabled
Rapid Fill	AM16SCBX	AM16(T)-BASX AM16VL(T)-BASX	Enables or disables the rapid fill function. Note: Requires installation of an optional rapid fill kit.	Enabled/ Disabled	Disabled

EDIT PARAMETERS					
Parameter Name	Applicable Models		Description	Possible Values	Default Value
Rinse Temp Lockout	AM16SCBX AM16VLSCBX		Locks out machine if minimum final rinse temperature is not reached.	Lockout/ Disabled/ Alert Only	Lockout
		AM16(T)-BASX AM16VL(T)-BASX			Disabled
Modbus	AM16SCBX AM16VLSCBX	AM16(T)-BASX AM16VL(T)-BASX	Enables or disables 3rd party register readout of machine. Note: Machine must be equipped with monitoring equipment in order for register readout to take place.	Enabled/ Disabled	Enabled
Wash Tank Temp Delay	AM16SCBX AM16VLSCBX		Delays the wash cycle from starting until the minimum NSF temperature has been reached.	Enabled/ Disabled	Enabled
		AM16(T)-BASX AM16VL(T)-BASX			Disabled
Strainer Basket	AM16SCBX AM16VLSCBX	AM16(T)-BASX AM16VL(T)-BASX	Sets the machine to ignore, alert, or lockout the user if the strainer basket is not in place.	Ignore/Alert/ Lockout	Lockout
Exit Menu					
DELIME NOW					
Parameter Name	Applicable Models		Description	Possible Values	Default Value
Delime Now	AM16SCBX AM16VLSCBX	AM16(T)-BASX AM16VL(T)-BASX	Delime Recommended Would you like to delime now? DELIME INITIATED 1. Remove, clean, and replace strainer. 2. Press enter.	Yes/No	No
PRIME CHEM PUMPS					
Parameter Name	Applicable Models		Description	Possible Values	
Pump Menu	AM16SCBX AM16VLSCBX	N/A	Automatically Primes Sanitizer	Sanitizer	Replace/OK
		AM16(T)-BASX AM16VL(T)-BASX	Automatically Primes Detergent	Detergent	Replace/OK
			Automatically Primes Rinse Aid	Rinse Aid	Replace/OK

MAINTENANCE

⚠ WARNING Disconnect the electrical power to the machine (both dishwasher and booster if applicable) and follow lockout / tagout procedures. Be sure all circuits are disconnected.

WASH ARMS

Upper and lower wash and rinse arms (page 22, Figs. 22, 23) should turn freely and continue turning for a few seconds after being rotated by hand. Remove any obstructions causing improper operation.

If either the strainer pan or the strainer basket is not properly in place, obstructions (such as food particles or bones) may clog the wash arm nozzles. The wash arms are easily removed for cleaning.

To remove the lower wash arm, unscrew the hand knob and lift the rinse arm off (Fig. 22). The wash arm can be lifted off once the rinse arm is removed.

The upper wash and rinse arms are removed by unscrewing the hand knob (Fig. 23) and lowering both arms together. Be careful not to drop the arms.

MOTOR(S)

The wash pump motor, rinse pump motor, drain pump motor and fan motor ("VL" models only) are equipped with permanently lubricated bearings and require no lubrication maintenance.

CHEMICAL PUMPS

If unit has built-in Hobart chemical pumps, inspect chemical tubes every 6 months and replace as required. Also inspect chemical bottle caps and standpipes to ensure they are not cracked or worn.

DELIME INSTRUCTIONS

To enter the delime cycle without notification, refer to PROGRAMMING (page 24) to access Manager Menu, Delime Now.

Delime Process

Machine will prompt operator when to delime based on a set number of cycles ran. When prompted, display will read 'DELIME RECOMMENDED. Would you like to delime now?'. If ready to delime, use the arrow buttons to move the '>' symbol next to 'yes' and press the Enter button. Press the Enter button on 'no' to delime machine later. If 'yes' is selected to initiate a delime cycle, follow the steps below.

1. Display will prompt 'DELIME INITIATED. 1) Remove, clean and replace strainer, 2) Press Enter'. Open machine door and remove strainer basket and strainer pan. Clean basket and pan in a sink with a mild detergent and rinse.
2. Replace strainer pan and strainer basket in machine and ensure basket is in the locked position (page 18, Fig. 19).
3. Close machine door and press the 'Enter' button. Machine will drain. Once machine has drained, the unit will fill with fresh water.

4. After the fill cycle is complete, the display will prompt 'ADD DELIME AGENT, 1) Add delime agent, 2) Press enter'. Open machine door and pour the required amount of delime chemical into the wash tank according to the chemical supplier's recommendation for a 10.5-gallon wash tank and close door.
5. Once door is closed, press the 'Enter' button. The unit will begin a 10-minute wash cycle.
6. After the 10-minute wash cycle, the machine will drain and re-fill with fresh water. Once filled, the unit will begin a 1-minute wash cycle to flush any remaining delime chemical residue.
7. After the 1-minute wash cycle, the machine will drain and power down.

Delime Lockout

If the delime lockout feature is enabled in the Manager Programming and the delime reminder displays, the machine will allow washing for up to 10 power off/on cycles before the wash button is disabled. Refer to Manager Menu Programming, pages 24 - 26.

Delime Lockout Cycle Limit

When the delime lockout is enabled, this sets the number of times the machine will power up before the wash button is disabled. Settings are 1 to 10 power up cycles. Refer to Manager Menu Programming, pages 24 - 26.

CLEANING BAFFLES ON AM16VLT-BASX MODELS

The baffles (upper and lower), located on the back wall of the inside of the machine (Fig. 24), should be cleaned every 6 months or sooner if required.

 WARNING Disconnect the electrical power to the machine (both dishwasher and booster if applicable) and follow lockout/tagout procedures. Be sure all circuits are disconnected.

1. Loosen and remove the nuts from each baffle and remove the baffles.
2. Debris may collect on surfaces of baffles and should be washed in a sink with a mild detergent and rinsed.
3. Replace baffles using nuts removed in Step 1.
4. Leave machine door open to allow interior to air out and dry.

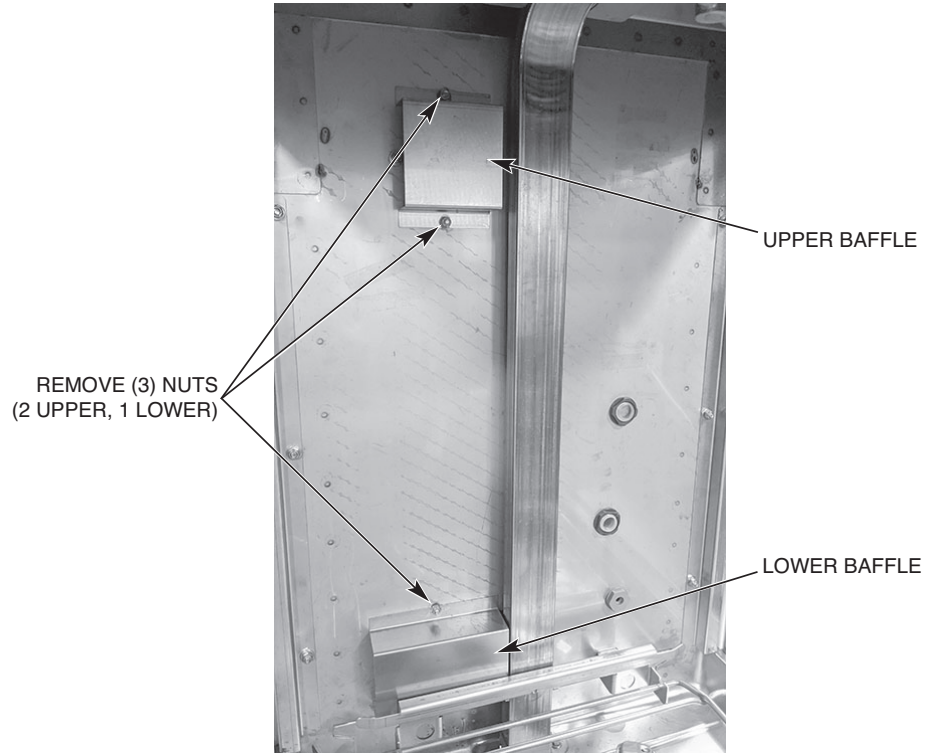









Fig. 24

TROUBLESHOOTING

DIAGNOSTIC / ERROR MESSAGES

Error	Display		Description
Door Open	Door Open		Displayed when the door of the machine is opened.
Wash Thermistor Error	WASH TEMP SENSOR -----Error----- Service required Press Enter		Error displayed if wash temperature probe is out of range. The machine will continue to run cycles.
Booster Thermistor Error	BOOSTER TEMP SENSOR -----Error----- Service required Press Enter		Error displayed if booster temperature probe is out of range. The machine will continue to run cycles.
Final Rinse Thermistor Error	RINSE TEMP SENSOR -----Error----- Service required Press Enter		Error displayed if final rinse temperature probe is out of range. The machine will continue to run cycles.
Drain Error	DRAIN ERROR -----Error----- Service required Press Enter		Error displayed if the wash tank water level is above the upper limit 2250 mV. The machine will not operate and will only power down.
Sump Level Error	SUMP LEVEL SENSOR -----Error----- Service required Press Enter		Error displayed if sump pressure switch is out of range. The machine will not operate and will only allow power down.
Sump Level Low Error	SUMP LEVEL LOW -----Error----- Service Required Press Enter		Error displayed if sump level is below 700 mV.
Booster Level Error	BOOSTER LEVEL SENSOR -----Error----- Service required Press Enter		Error displayed if booster pressure switch is out of range. The machine will not operate and will only allow power down.
Low Water in Booster	FILL ERROR -----Error----- Service required Press Enter		Error displayed if the unit times out in 600 seconds before the unit is completely filled. The machine will not operate and will only allow power down.
Wash tank temp overtemp tripped	SUMP OVERTEMP -----Error----- Service required Press Enter		Wash tank overtemp has been tripped. Error cannot be cleared until overtemp has been reset. Contact Hobart Service.
Booster temp overtemp tripped	BOOSTER OVERTEMP -----Error----- Service required Press Enter		Booster overtemp has been tripped. Error cannot be cleared until overtemp has been reset. Contact Hobart Service.
Rinse Aid Empty Warning	ADD RINSE AID		Error displayed if machine does not sense rinse aid. Machine will continue to run cycles.

Error	Display	Description
Detergent Empty Warning	ADD DETERGENT	Error displayed if machine does not sense detergent. Machine will continue to run cycles. (Detergent monitor must be enabled.)
Detergent Empty Lockout	DETERGENT SUPPLY EMPTY Replace Detergent And Press Enter	If the detergent is empty for 3 times and detergent lockout is enabled, the error will display. The machine will not run and only allow power down and priming.
Sanitizer Empty Warning	ADD SANITIZER	Error displayed if machine does not sense sanitizer. Machine will continue to run cycles.
Sanitizer Empty Lockout	SANITIZER SUPPLY EMPTY Replace Sanitizer And Press Enter	If the sanitizer is empty for 3 times and sanitizer lockout is enabled, the error will display. The machine will not run and only allow power down and priming.
Low Rinse Temperature Warning	LOW RINSE TEMP	After two consecutive low temperatures, if problem occurs on the third consecutive cycle, the error will display. The machine will continue to run cycles.
Low Rinse Temperature (3 in a row) Lockout	Rinse Temperature Too Low! Press Power Button To Start Draining	If final rinse lockout is enabled, and the final rinse temperature did not reach minimum final rinse temperature after three consecutive cycles, the machine will lock out.
Delime Lockout	DELIME REQUIRED You must now execute a delime cycle! > Delime Now	If delime lockout is enabled, machine will lock out due to delime reminder being ignored 10 times.
Wash Heat Contactor Monitoring	ALERT! Hazardous Condition Contactor Fault Pull Circuit Breaker Contact Service	Wash tank heater remains on while ignoring software command to turn off. Machine is running a fill and drain cycle to protect the heater. This error is not user serviceable. Turn circuit breaker supply off and contact Hobart Service.
Booster Heat Contactor Monitoring	ALERT! Hazardous Condition Contactor Fault Pull Circuit Breaker Contact Service	Booster heater remains on while ignoring software command to turn off. Machine is running a fill and drain cycle to protect the heater. This error is not user serviceable. Turn circuit breaker supply off and contact Hobart Service.
Wash Tank Temp delay	Temperature not reached. Drain and restart machine. Press Power Button.	The wash temperature did not reach the minimum set point required within time out period.
Strainer Basket Error	Ensure strainer basket is locked in place.	The strainer basket is not inserted, or it is not in the locked position.

COMMUNICATION MODULE

For AM16SCBX models equipped with the sPod® embedded communication module, the unit will automatically connect to a SiteSage® gateway and begin transmitting relevant data for remote monitoring at start-up. If problems arise, contact the support group for your communication system supplier.

SYMPTOM	POSSIBLE CAUSE
No machine operation.	<ol style="list-style-type: none"> 1. Machine off, turn machine on. 2. Blown fuse or tripped circuit breaker at power supply.
Dishes not clean.	<ol style="list-style-type: none"> 1. Loss of water pressure due to pump obstruction. ⚠ WARNING Disconnect electrical power supply (both dishwasher and booster if applicable) and drain tank. Remove strainer and standpipe and check pump & drain intake for obstruction. 2. Incorrect water temperature. Contact Service for adjustment or repair. 3. Excessive mineral deposits throughout wash and rinse system. Deliming may be necessary, refer to page 27. 4. Check wash and rinse arms to ensure there are no obstructions and ensure they rotate properly. 5. Check rear side of wash arms and ensure plastic clean out plugs are in place and secure. 6. Strainers clogged causing inadequate water supply to pump; clean machine according to Cleaning, page 22. 7. Ensure chemical dispenser is operating properly. 8. Excessive soil; scrap dishes before cycle 9. Improper rack loading; refer to Preparation and Dishwashing, pages 18, 19.
Spotting silverware, glasses and dishes.	<ol style="list-style-type: none"> 1. Improperly loaded racks. 2. Incorrect rinse water temperature. 3. Loss of water pressure due to pump obstruction. ⚠ WARNING Disconnect electrical power supply (both dishwasher and booster if applicable) and drain tank. Check for any obstruction at the pump intake. 4. Excessively hard water. 5. Incorrect detergent for water type. 6. Incorrect rinse additive for water type. 7. Incorrect concentration of detergent, rinse additive and/or sanitizer. 8. Excessive soil; scrap dishes before cycle. Ensure wash tank is drained and cleaned as required.
Excessive steam or water vapor after cycle is complete – AM16VL-BASX and AM16VLT-BASX models only.	<ol style="list-style-type: none"> 1. Incoming cold water too warm. Contact Hobart Service for adjustment of condensing cycle time.
Inadequate rinse or rinse water temperature too low.	<ol style="list-style-type: none"> 1. Excessive mineral deposits throughout wash and rinse system. Deliming may be necessary, refer to page 27. 2. For non-ventless hot machines, incoming water temperature to booster below 110°F. For ventless machines, incoming water temperature to machine below 55°F. Machine will automatically extend wash time until booster heats up. 3. Ensure rinse arms rotate freely.
Leaking valve.	<ol style="list-style-type: none"> 1. If hose connection at valve is leaking, check hose gasket to ensure it is seated properly and not worn or cut. 2. If solenoid valve is malfunctioning (leaking, not opening or not closing), contact Hobart Service.
Low/no wash tank heat.	<ol style="list-style-type: none"> 1. Ensure sufficient water level in tank. 2. Ensure heating element is clean and free of excessive lime scale.

SYMPTOM	POSSIBLE CAUSE
No or slow fill.	<p>Note: Fill time could be as high as 25 minutes.</p> <ol style="list-style-type: none"> 1. Water supply may be off; make sure hot water supply valve is open. 2. Dirty strainer at fill hose connection causing reduced water flow. Turn off hot water supply, remove fill hose and clean screen. Reassemble.
Not dispensing chemicals (on machines equipped with Hobart chemical pumps).	<ol style="list-style-type: none"> 1. Ensure chemical bottles are full. 2. Ensure chemical bottle caps are properly secured. 3. Inspect tubing and ensure it is tight to bottle caps. 4. Ensure tubes are not bent or kinked. 5. Ensure standpipe and tubing are seated fully into the chemical bottle. 6. Manually prime chemicals. If unsuccessful, contact Hobart Service.

SERVICE

AM16X EXPENDABLE PARTS

The below AM16X dish machine parts are expendable by nature and may not be covered by Hobart Product Warranty. To view the Hobart Product Warranty, refer to <https://www.hobartservice.com/service-plans/hobart-product-warranty>.

AM16X EXPENDABLE PARTS LIST

Part Number	Description	Qty.	Machine Type
00-918049	Lift arm plug	2	All
00-893834	Seal, top cover, tall AM	3	Tall
00-975055	Hub, wash arm	2	All
00-886610	Kit, wash arm plug	1	All
00-562078	Retaining ring	2	All
00-13156-00001	Clamp (spring action hose)	AR	SCBX / VLSCBX
00-949651-00001	Squeeze tube kit, chemical pump (sanitizer, rinse aid, detergent) (Includes hose clamps)	3	SCBX / VLSCBX
00-185105-00002	Tubing, red, 144", 1/4"	1	SCBX / VLSCBX
00-185105-00006	Tubing, blue, 144", 1/4"	1	SCBX / VLSCBX
00-185105-00004	Tubing, clear, 144", 1/4"	1	SCBX / VLSCBX
00-185105-00013	Tubing, clear, 6"	2	SCBX / VLSCBX
00-185105-00024	Tubing, clear, 66"	1	SCBX / VLSCBX
00-562915	Kit, replacement chemical cap	1	SCBX / VLSCBX
00-975024	Assembly, suction strainer	AR	SCBX / VLSCBX
00-185111-00001	Clamp #2	AR	SCBX / VLSCBX
00-463293	Tube, sight	1	Tall
00-185111-00002	Clamp, hose 7/16"	AR	Tall
00-474800	Rack, 6-pan	AR	Tall
00-315191	Peg rack	AR	All
00-315193	Combination rack	AR	All

Contact your local Hobart-authorized service office for any repairs or adjustments needed on this equipment. Long-term service contracts are available on this and other Hobart products. Call 1-888-4HOBART for Hobart Service 24 hours a day.

INSTRUCTIONS
MODELS
INSTRUCTIONS
EMPLOIS
INSTRUCTIONS
EMPLOIS

LAVE-VAISSELLE AM16X



MODÈLES

AM16 - BASX
AM16T - BASX

AM16VL - BASX
AM16VLT - BASX

AM16SCBX

AM16VLSCBX



701 S. RIDGE AVENUE
TROY, OHIO 45374-0001

937 332-3000

www.hobartcorp.com

FORM 41235 (Juin 2022)

Modèle AM16-BASX



Modèle AM16T-BASX



Modèle AM16VL-BASX



Modèle AM16VLT-BASX



Modèle AM16SCBX



TABLE DES MATIÈRES

GÉNÉRAL	4
INSTALLATION	5
Déballage	5
Codes d'installation	5
Emplacement	6
Installation en angle	7
Raccords de plomberie	8
Besoins en eau	8
Connexion de l'alimentation en eau	9
Raccord de vidange	10
Exigences de ventilation	10
Calculs du taux de circulation d'air	10
Tableau A : Dissipation thermique	11
Raccords électriques	12
Réglage de la tension (machines de 380 à 415 V uniquement)	13
Rotation du moteur (machines de 480 V et 50 Hz uniquement)	14
Connexions de l'équipement	14
Commande du ventilateur du conduit d'aération	14
Installation des distributeurs de détergent, de produit de rinçage et d'agent assainissant fournis par Hobart	14
Programmation des pompes chimiques (pour les machines équipées de pompes chimiques Hobart)	14
Amorçage des pompes chimiques	15
Test des agents assainissants (machines d'assainissement aux produits chimiques)	15
Distributeurs de détergent et de produit de rinçage (pour les machines équipées de pompes chimiques fournies par des tiers)	16
Installation des tubes	16
Distributeur de détergent	16
Distributeur de produit de rinçage	16
Distributeurs de détergent et de produit de rinçage – connexions de l'équipement	17
Distributeur de détergent	17
Distributeur de produit de rinçage	18
UTILISATION	19
Préparation	19
Lave-vaisselle	20
Temps de condensation recommandé (basé sur la température de l'eau entrante)	21
NETTOYAGE	23
Choses à faire et à ne pas faire en ce qui concerne votre nouveau lave-vaisselle Hobart	23
PROGRAMMATION	25
Menu de gestion	25
Paramètres du menu de gestion	25
ENTRETIEN	29
Bras de lavage	29
Moteur(s)	29
Pompes chimiques	29
Instructions de détartrage	29
Processus de détartrage	29
Verrouillage du détartrage	30
Limite du cycle de verrouillage du détartrage	30
Nettoyage des déflecteurs sur les modèles AM16VLT-BASX	30
PROBLÈMES ET SOLUTIONS	32
Diagnostic/messages d'erreur	32
Module de communication	35
SERVICE	37
Pièces consommables de l'AM16X	37

Installation, fonctionnement et entretien

LAVE-VAISSELLE AM16X

CONSERVEZ CES INSTRUCTIONS

GÉNÉRAL

Tous les modèles AM16X sont expédiés de l'usine pour une configuration de fonctionnement en position linéaire et peuvent être facilement convertis pour une installation en angle.

Les lave-vaisselle AM16-BASX, AM16T-BASX, AM16VL-BASX, et AM16VLT-BASX sont conçus pour fonctionner en mode d'assainissement à l'eau chaude uniquement. Conçus en conformité avec les exigences NSF de température de 65,5 °C [150 °F] pour le lavage et 82 °C [180 °F] pour le rinçage. Ces températures se trouvent sur l'étiquette située sous les commandes, dans la partie inférieure de la machine.

Les lave-vaisselle AM16SCBX, AM16VLSCBX sont conçus pour fonctionner en mode d'assainissement aux produits chimiques uniquement. Conçus en conformité avec les exigences NSF de température de 49 °C [120 °F] pour le lavage et 49 °C [120 °F] pour le rinçage. Ces températures se trouvent sur l'étiquette située sous les commandes, dans la partie inférieure de la machine.

Le numéro de série se trouve sur l'étiquette de données de la machine située en bas du coin avant droit de la machine.

Les pompes chimiques fournies par Hobart sont livrées en standard avec tous les modèles AM16SCBX et AM16VLSCBX. Les pompes à produits chimiques sont disponibles en tant que trousse d'accessoires (installés sur place) pour tous les autres modèles, ou contactez votre représentant en produits chimiques pour un système d'alimentation en produits chimiques à fournir et à installer par des tiers.

Le moteur de la pompe de lavage a une puissance nominale de 2 HP et est doté d'une protection contre les surcharges thermiques.

La conduite de remplissage comporte un espace d'air sur tous les modèles afin d'empêcher tout écoulement inverse de l'eau du lave-vaisselle vers l'alimentation en eau potable. L'appareil, une fois mis en marche, remplit le réservoir de lavage jusqu'au niveau approprié et arrête automatiquement le remplissage une fois le niveau atteint. Un transducteur de pression lit le niveau d'eau dans le réservoir de lavage et coupe la source de chaleur si le niveau d'eau devient trop bas. Lorsque l'eau revient au niveau approprié, le circuit de chauffage redevient opérationnel.

Un système de vidange automatique par pompage et de rinçage par pompage est standard sur tous les modèles.

Tous les modèles d'assainissement à eau chaude sont équipés d'un chauffe-eau électrique d'appoint de 7,1 kW monté sur le châssis. Le chauffe-eau d'appoint est conçu pour maintenir une température minimale de rinçage final de 82 °C (180 °F) à condition que l'eau entrante soit au moins à 43 °C (110 °F). Pour les modèles sans ventilation AM16VL-BASX et AM16VLT-BASX, le chauffe-eau d'appoint est conçu pour maintenir une température minimale de rinçage final de 82 °C (180 °F) avec une eau entrante froide d'au moins 12,8 °C (55 °F).

Les modèles AM16SCBX et AM16VLSCBX sont équipés d'un chauffe-eau électrique d'appoint de 4,3 kW. Le chauffe-eau d'appoint est conçu pour maintenir une température minimale de rinçage final de 49 °C (120 °F) à condition que l'eau entrante soit au moins à 32 °C (90 °F) [49 °C (120 °F) recommandé].

Les modèles sans ventilation AM16VL-BASX, AM16VLT-BASX et AM16VLSCBX ne nécessitent pas de hotte de ventilation. Ils utilisent un système de condensation interne pour minimiser la vapeur d'eau qui s'échappe de l'unité pendant le chargement et le déchargement. Les modèles AM16-BASX et AM16T-BASX à haute température nécessitent généralement l'installation d'une hotte ou d'un évent au-dessus du lave-vaisselle afin de respecter les codes locaux. Les machines d'assainissement aux produits chimiques à basse température ou les lave-vaisselle à chaleur électrique à faible utilisation peuvent ne pas nécessiter de ventilation individuelle de la machine si la pièce est largement aérée. Voir les pages 10 à 11 pour les exigences relatives à la ventilation et à la hotte. Vérifier avec les responsables du code local pour la détermination finale.

INSTALLATION

DÉBALLAGE

Aussitôt le lave-vaisselle déballé, vérifiez qu'il n'a subi aucun dommage lors du transport. Dans le cas contraire, conservez le matériel d'emballage et contactez le transporteur dans les 5 jours suivant la livraison.

REMARQUE : Soyez prudent quand vous utilisez un chariot élévateur à fourche pour retirer la machine de la palette. N'utilisez PAS la poignée de levage de la porte pour déplacer la machine, car cela entraînerait des problèmes de levage de la porte.

Avant l'installation, vérifiez votre service électrique pour vous assurer qu'il correspond aux spécifications de la plaque signalétique. La plaque signalétique du lave-vaisselle se trouve dans le coin inférieur droit de la machine.

CODES D'INSTALLATION

L'installation doit se faire en conformité avec les codes étatiques et régionaux, ou en l'absence de ceux-ci, en conformité avec le Code électrique national ANSI/NFPA 70 (dernière édition). Au Canada, le standard d'installation est le CSA No 22.1 (dernière édition).

EMPLACEMENT

Avant de finaliser l'emplacement, assurez-vous d'avoir pris en compte le conduit électrique, l'alimentation en eau, le raccord de vidange, la ventilation (le cas échéant), le tablier (si nécessaire), le réapprovisionnement en produits chimiques (le cas échéant) et le dégagement adéquat pour l'ouverture de la porte.

Le lave-vaisselle doit être de niveau avant d'effectuer toutes les connexions. Tournez les pieds filetés (Fig. 1) selon les besoins pour mettre la machine de niveau et la régler à la hauteur souhaitée.

Le bord du plateau pour les plats qui surplombe la cuve du lave-vaisselle AM16 doit être rabattu et placé sur le dessus de la cuve du lave-vaisselle (Fig. 2). Appliquez un produit d'étanchéité approuvé par la NSF entre le porte-à-faux du plateau pour les plats et la paroi intérieure du réservoir de lavage pour éviter les fuites (Fig. 2). Fixez les plateaux pour les plats à la paroi intérieure de la cuve de lavage à l'aide de vis à tête bombée ou de rivets inoxydables (Fig. 2).

Pour les installations en position linéaire, un dégagement de 76 cm (30 po) à l'avant et de 51 cm (20 po) sur le côté droit, ainsi qu'un dégagement de 75 cm (29-1/2 po) au-dessus du plancher fini doivent être prévus pour le service.

REMARQUE : Pour les appareils de 480 V, un dégagement de 51 cm (20 po) est requis du côté gauche.

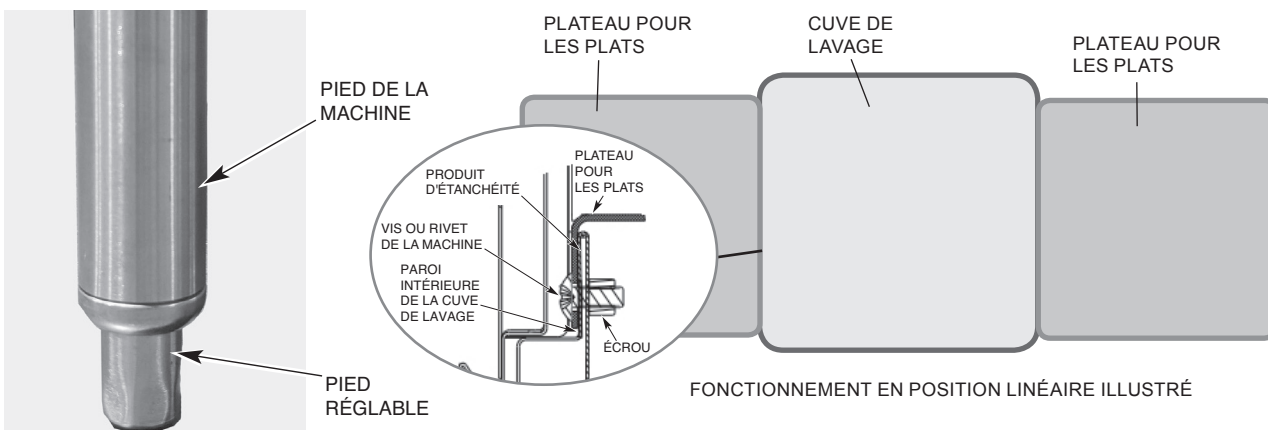


Fig. 1

Fig. 2

Selon la conception du plateau pour les plats, il peut être nécessaire d'ajuster ou de retirer les supports de plateau arrière (Fig. 3). Desserrez les deux boulons et écrous et réglez ou retirez selon les besoins.



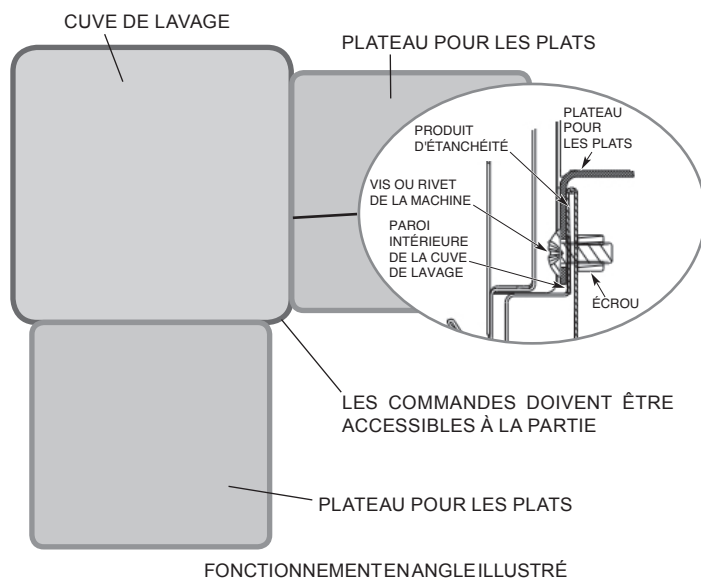
Fig. 3

INSTALLATION EN ANGLE

Avant de placer le lave-vaisselle sur son lieu d'utilisation, vérifiez la configuration de la machine. Si la machine est installée dans un angle (Fig. 4, 5), il faut prévoir des dégagements de 76 cm (30 po) sous le tablier de gauche du lave-vaisselle, par 75 cm (29-1/2 po) au-dessus du sol fini et de 38 cm (15 po) à droite par 75 cm (29-1/2 po) au-dessus du sol fini pour l'entretien. Pour une installation correcte d'une machine en angle, la commande et l'affichage doivent être placés dans l'angle droit avant pour que l'opérateur puisse y accéder (Fig. 5).

Pour les installations en angle, repositionnez le guide de la grille sur le côté gauche du rail de la grille en suivant la procédure suivante (Fig. 6).

1. Retirez les deux écrous et boulons qui fixent le guide de la grille avant au rail de la grille et retirez le guide de la grille.
2. Placez le guide de la grille sur le côté gauche du rail de la grille en alignant les trous du guide sur les entretoises du rail.
3. Fixez à l'aide des accessoires retirés à l'étape 1. Remarque : Les écrous doivent être installés à l'intérieur du rail de la grille.



FONCTIONNEMENT EN ANGLE ILLUSTRÉ

Fig. 4

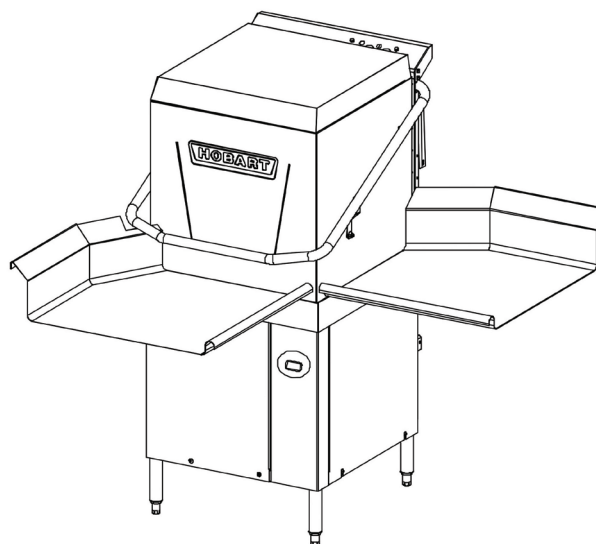
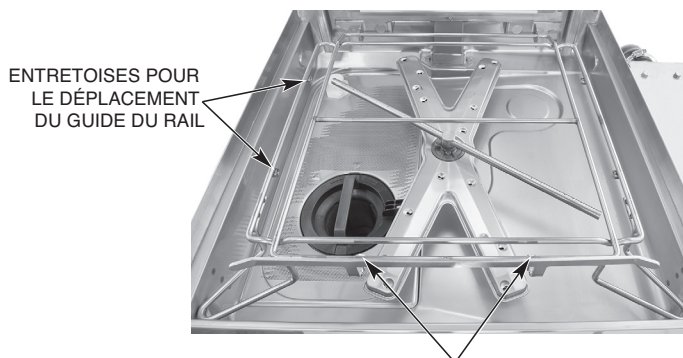


Fig. 5

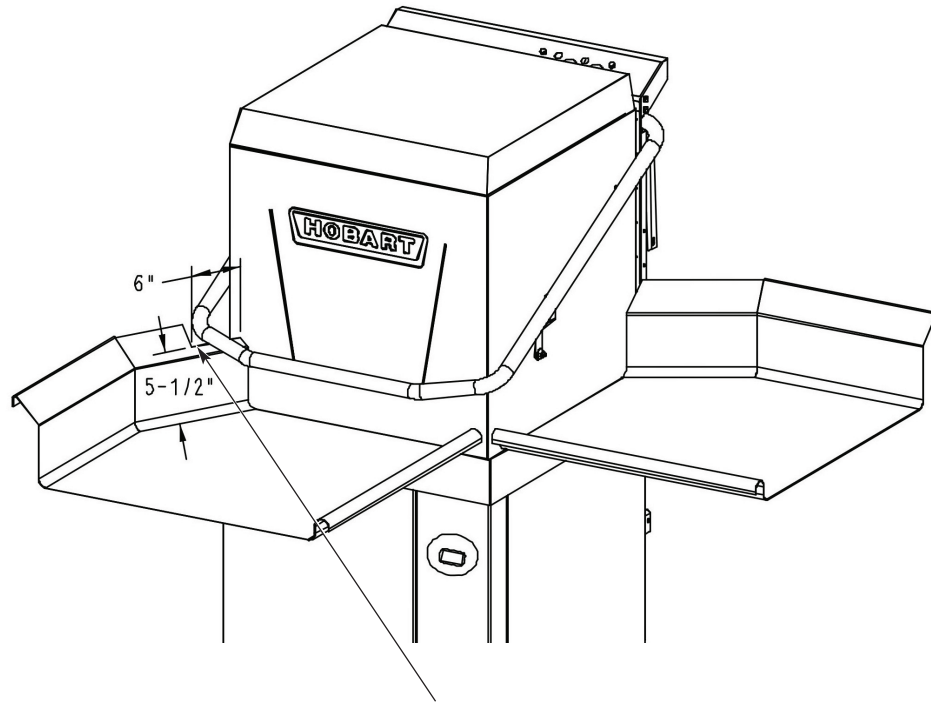


RETIRER LES ÉCROUS ET LES BOULONS (2)

Fig. 6

Une trousse de protection contre les éclaboussures est disponible (moyennant un supplément) pour les installations en angle afin d'éviter les éclaboussures excessives sur le mur. Commandez l'accessoire de vente CORNER-INST-AM16 ou la trousse de service du numéro de pièce 00-562156-00001. Pour l'installation, se référer aux instructions 0F-45885 fournies avec la trousse.

Pour les installations en angle, les tabliers avec dosserets de plus de 14 cm (5-1/2 po) de hauteur exigent qu'une encoche soit prévue pour éviter toute interférence avec la poignée de la porte (Fig. 7).



UNE ENCOCHE DOIT ÊTRE AJOUTÉE POUR LES DOSSERETS DE PLUS DE 14 CM (5-1/2 PO) DE HAUTEUR POUR LES MACHINES EN ANGLE, AFIN D'ÉVITER TOUTE INTERFÉRENCE AVEC LA POIGNÉE DE LA PORTE. L'ENCOCHE DOIT DÉPASSER DE 15 CM (6 PO) LA PARTIE FRONTALE DE LA MACHINE.

Fig. 7

RACCORDS DE PLOMBERIE

▲ AVERTISSEMENT : Les raccords de plomberie doivent se conformer aux codes en vigueur concernant l'assainissement, la sécurité et la plomberie.

Besoins en eau

Une eau de bonne qualité peut améliorer les performances de lavage de la vaisselle en réduisant les taches, améliorant ainsi l'efficacité de la main-d'œuvre et prolongeant la durée de vie des équipements. Les conditions relatives à l'eau varient d'un endroit à l'autre. Le traitement de l'eau recommandé pour une utilisation efficace et efficiente de cet équipement varie également en fonction des conditions locales de l'eau. Avant l'installation, demandez à votre fournisseur d'eau municipal des détails sur les conditions locales de l'eau.

La dureté de l'eau recommandée est de 3 grains par gallon (20,5 ppm) ou moins. Une dureté de l'eau supérieure à ceci pourrait causer des dépôts de calcaire excessifs. Une dureté de l'eau au-dessus de 3 grains par gallon (20,5 ppm) requiert un traitement de l'eau. Il a été démontré que le traitement de l'eau permet de réduire les coûts liés au nettoyage des machines, de réduire le détartrage du lave-vaisselle et de réduire l'utilisation de détergents dans le lave-vaisselle. Les chlorures ne devraient pas excéder 50 ppm.

REMARQUE : Des taux de fer élevés dans l'alimentation en eau peuvent provoquer des taches et nécessiter un filtre à fer. Des taux de chlorure élevés dans l'alimentation en eau peuvent provoquer des taches et nécessiter un système de retrait du chlorure. Contactez un professionnel local du traitement d'eau pour un traitement de l'eau approprié.

Certains sédiments peuvent nécessiter un filtre particulier. Les solides dissous peuvent nécessiter un traitement de l'eau tel qu'un adoucisseur d'eau, un système d'osmose inverse, etc. Contactez un professionnel local du traitement d'eau pour un traitement de l'eau approprié.

Si une inspection du lave-vaisselle ou du réchauffeur d'appoint révèle une accumulation de calcaire après la mise en service de l'équipement, un traitement de l'eau est recommandé. Si un adoucisseur d'eau est déjà installé, assurez-vous qu'il existe un niveau de sel suffisant. Pour toutes recommandations spécifiques, veuillez contacter le bureau de service de Hobart.

Connexion de l'alimentation en eau

Le plombier qui raccorde cette machine est responsable de s'assurer que les conduites d'eau sont PARFAITEMENT RINCÉES AVANT d'être raccordées au lave-vaisselle. Ce « rinçage » est nécessaire pour éliminer tous les corps étrangers, tels que les copeaux (résultant de la coupe ou du filetage des tuyaux), la pâte à joint des conduites ou, si des raccords soudés sont utilisés, les morceaux de soudure ou les coupures des tubes. Les débris, s'ils ne sont pas enlevés, peuvent se loger dans les composants de plomberie du lave-vaisselle et les rendre inopérants. Les vannes manuelles ou les électrovannes encrassées par des corps étrangers et les dépenses résultant de cet encrassement NE sont PAS de la responsabilité du fabricant et les coûts de réparation associés ne sont pas couverts par la garantie.

Les exigences d'alimentation en eau sont les suivantes :

EXIGENCES POUR L'ALIMENTATION EN EAU

Modèle	Mode d'assainissement	Connexion	Alimentation en eau		
			Minimum	Maximum	Recommandé
AM16-BASX AM16T-BASX	Assainissement à eau chaude	Eau chaude	43 °C (110 °F)	S/O	60 °C (140 °F)
AM16VL-BASX AM16VLT-BASX	Assainissement à eau chaude	Eau froide	13 °C (55 °F)	32 °C (90 °F)	18 °C (65 °F)
AM16SCBX	Assainissement aux produits chimiques	Eau chaude	32 °C (90 °F)	S/O	49 °C (120 °F)
AM16VLSCBX	Assainissement aux produits chimiques	Eau chaude	32 °C (90 °F)	S/O	49 °C (120 °F)
		Eau froide	13 °C (55 °F)	32 °C (90 °F)	18 °C (65 °F)

Les modèles AM16VLSCBX nécessitent une alimentation en eau chaude et froide.

REMARQUE : Sur les installations des modèles AM16VL-BASX, AM16VLT-BASX et AM16VLSCBX, l'alimentation en eau froide ne doit pas excéder 32 °C (90 °F) pour un fonctionnement correct. Des résultats optimaux sont obtenus quand la température de l'alimentation en eau est en dessous de 18 °C (65 °F). Pour obtenir les meilleurs résultats, il peut être nécessaire d'utiliser un tuyau de 1,3 cm (1/2 po) de diamètre pour la conduite d'eau froide et de minimiser la distance entre le lave-vaisselle et l'entrée dans le bâtiment. L'isolation des tuyaux améliorera également les résultats.

Si la température de l'alimentation en eau est au-dessus de 32 °C (90 °F) de façon consistante ou si une vapeur d'eau ou une condensation pénètre dans la pièce de lavage des plats une fois que le cycle de condensation est terminé, contactez le Service de Hobart pour augmenter la durée de condensation.

Le flux de pression d'eau requis pour le lave-vaisselle est de 15 à 65 psig. Si la pression dynamique excède 65 psig, une valve de régulateur de pression doit être installée sur la conduite d'alimentation (par des tiers). Si la pression dynamique est inférieure à 15 psi, un fonctionnement inapproprié de la machine peut se produire. Tous les modèles AM16X sont équipés d'un système de rinçage à pompe; par conséquent, une jauge de pression d'eau n'est pas nécessaire et n'est pas fourni avec la machine.

REMARQUE : Le régulateur de pression d'eau doit posséder une dérivation de surpression. L'utilisation d'un régulateur de pression de type incorrect pourrait endommager l'unité.

Une vanne d'arrêt manuelle (non fournie) doit être installée en amont du tuyau de remplissage pour permettre l'entretien de la machine. Il est recommandé d'installer un filtre de conduite (non fourni) sur la ligne d'alimentation entre la vanne d'arrêt manuelle (non fournie) et le point de connexion sur la machine.

Toutes les machines sont livrées en standard avec un tuyau de remplissage de 244 cm (96 po) de long en acier inoxydable tressé avec un raccord femelle de 1,9 cm (3/4 po) pour tuyau d'arrosage. Un deuxième tuyau de remplissage est expédié pour les machines équipées de raccords d'eau chaude et froide. Effectuez les raccords de plomberie avec des tuyaux en cuivre de 1,3 cm (1/2 po) minimum de diamètre extérieur (1,9 cm [3/4 po] recommandé), avec un raccord mâle de 1,9 cm (3/4 po) pour tuyau d'arrosage (non fourni).

Raccord de vidange

Un tuyau de vidange, de 1,6 cm (5/8 po) de diamètre intérieur et de 1,8 m (6 pi) de long, est fourni avec la machine. Ce dernier doit être solidement raccordé à un drain. Faites attention de ne pas plier le tuyau. Le drain doit avoir une capacité d'écoulement minimale de 70 l (18,5 gallons) par minute. La hauteur du tuyau d'évacuation ne peut dépasser 1 m (40 po) au-dessus du sol fini.

Si un bac à graisse est exigé par le code, il doit avoir une capacité de débit minimale de 70 l (18,5 gallons) par minute.

Pour les modèles -BASX et VL-BASX, la trousse d'entrefer de vidange par pompage est disponible auprès du service commercial en utilisant le code d'accessoire PUMPDRN-AIRGAP ou la trousse de service n° 00-562492.

EXIGENCES DE VENTILATION

REMARQUE : Toute hotte aspirante commerciale fabriquée en usine, répertoriée et étiquetée, testée conformément à la norme UL 710 par un laboratoire d'essai reconnu à l'échelle nationale, doit être installée conformément aux conditions de sa liste et aux instructions d'installation du fabricant.

Calculs du taux de circulation d'air

Basés sur le code mécanique international 2018.

Le débit d'air net minimum pour les hottes de type II utilisées pour les appareils à laver la vaisselle doit être de 100 pi³/min par pied linéaire de longueur de hotte. La quantité nette d'air évacué est calculée en soustrayant tout débit d'air fourni directement à une cavité de la hotte du débit d'évacuation total de la hotte.

Les modèles sans ventilation AM16VL-BASX, AM16VLT-BASX et AM16VLSCBX ne nécessitent pas de hotte de ventilation de type II. Selon l'article 507.3 de l'IMC 2018, les hottes de type II ne sont pas requises lorsque la charge de chaleur et d'humidité est intégrée dans la conception du système CVC. Voir le tableau A pour la dissipation de la chaleur ou le gain de chaleur dans l'espace.

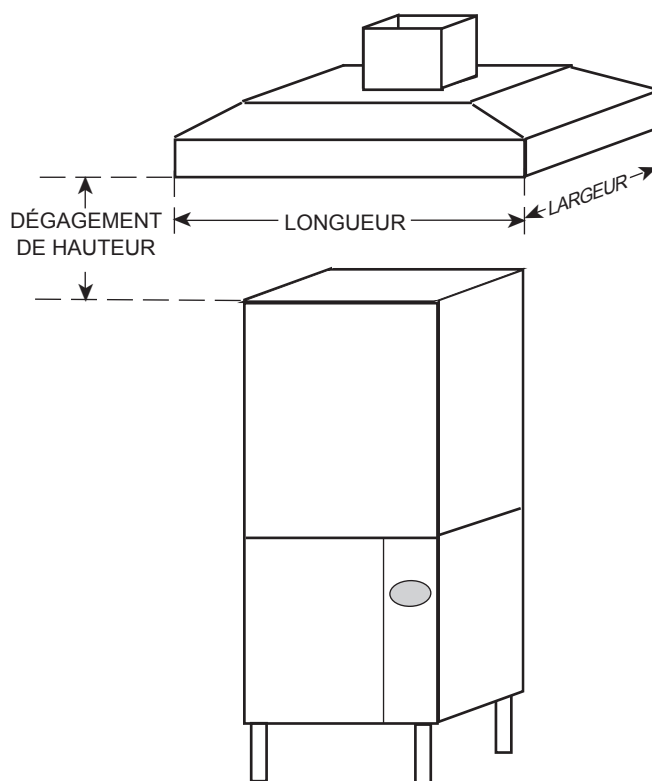


Fig. 8

TABLEAU A : DISSIPATION THERMIQUE

	Modèle	Chaleur électrique	Appoint d'électricité		Chaleur latente (BTU/h)	Chaleur sensible (BTU/h)
Assainissement à eau chaude	AM16-BASX	X	X		7 800	4 000
	AM16T-BASX	X	X		12 300	5 700
	AM16VL-BASX	X	X		4 300	3 500
	AM16VLT-BASX	X	X		6 800	5 000
Assainissement aux produits chimiques	AM16SCBX	X	X		3 570	6 700
	AM16VLSCBX	X	X		3 600	4 200

- Hypothèses :
1. Les machines fonctionnent à 70 % de l'heure lorsqu'elles sont utilisées.
 2. Les valeurs indiquées correspondent à la chaleur qui entre dans la pièce.
 3. 70 % de la chaleur produite est latente, 30 % est sensible.

RACCORDS ÉLECTRIQUES

▲ AVERTISSEMENT : Les connexions électriques et de mise à la terre doivent respecter les parties en vigueur du code national d'électricité NFPA 70 (dernière édition) ou d'autres codes électriques locaux.

▲ AVERTISSEMENT : Débranchez l'alimentation électrique de la machine (à la fois le lave-vaisselle et le surpresseur, le cas échéant) et suivez les procédures de verrouillage/étiquetage. Assurez-vous qu'ils sont tous déconnectés.

Reportez-vous au schéma de câblage fixé à l'intérieur du panneau de garniture droit et à la plaque signalétique de la machine pour connaître les exigences en matière de taille de service lors du raccordement du lave-vaisselle. Reportez-vous également aux données électriques, indiquées ci-dessous.

Pour accéder à la zone des commandes, retirez le panneau latéral droit et ouvrez la porte du panneau de commande. Le branchement électrique du lave-vaisselle peut être effectué au niveau de l'orifice à défoncer de 1,9 cm (3/4 po) ou 2,5 cm (1 po) situé sur le côté droit à l'arrière de la machine.

DONNÉES ÉLECTRIQUES

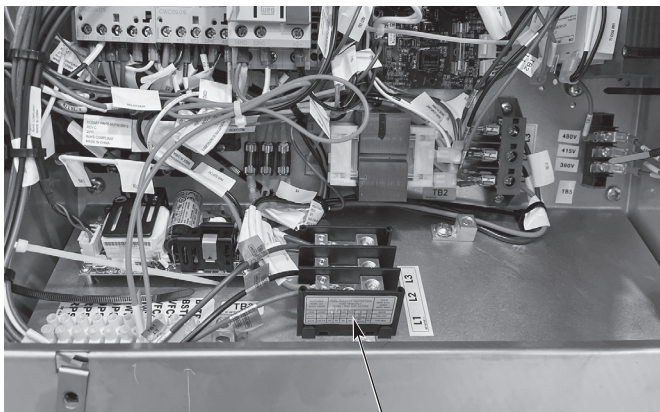
Modèles	Volts/Hz/Ph	Température du réservoir	Ampérage minimum du circuit Dispositif de protection maximum AMPS		
			TB1	TB2	Connexion électrique standard à un seul point lave-vaisselle et surpresseur (3 phases uniquement)
AM16-BASX, AM16T-BASX, AM16VL-BASX, AM16VLT-BASX	208 - 240/60/1	Électrique	50	50	
	208 - 240/60/3	Électrique	30	30	60
AM16-BASX, AM16T-BASX, AM16VL-BASX, AM16VLT-BASX	480/60/3	Électrique	15	15	30
AM16-BASX, AM16T-BASX	200 - 240/50/3	Électrique	30	30	60
	380 - 415/50/3	Électrique	20	20	30
					Connexion électrique standard à un seul point avec un surpresseur électrique de 4,3 KW
AM16SCBX, AM16VLSCBX	208/240/60/1	Électrique			30 - 40 / 35 - 45

Compilé conformément au code électrique national, NFPA 70 (dernière édition).

Un sectionneur à fusible ou un disjoncteur (fourni par le client) doit être installé sur la ou les lignes de service électrique alimentant ce lave-vaisselle et doit être conforme aux exigences du code électrique local.

Tous les modèles AM16X, à l'exception des modèles AM16SCBX et AM16VLSCBX, sont livrés en standard avec une alimentation en tension triphasée et une configuration électrique à point unique. L'alimentation électrique standard à un seul point se connecte au bornier TB1 dans la zone des commandes (Fig. 9). Cet appareil doit être mis à la terre conformément au code électrique; une prise mise à la terre est fournie.

Les modèles AM16SCBX et AM16VLSCBX sont livrés en standard avec une alimentation en tension monophasée et une configuration électrique à point unique. L'alimentation électrique standard à un seul point se connecte au bornier TB1 dans la zone des commandes (Fig. 9). Cet appareil doit être.



BORNIER TB1 BLOC

Fig. 9

Pour convertir un modèle AM16X en une configuration électrique à deux points ou pour passer du triphasé au monophasé, consultez les instructions F-45845 fixées à l'intérieur du panneau de garniture droit de la machine.

REMARQUE : Les modèles AM16SCBX et AM16VLSCBX ne peuvent pas être convertis sur place en une configuration à deux points. Ces modèles ne peuvent être installés qu'avec une configuration de connexion électrique monophasée et à un seul point.

Réglage de la tension (machines de 380 à 415 V uniquement)

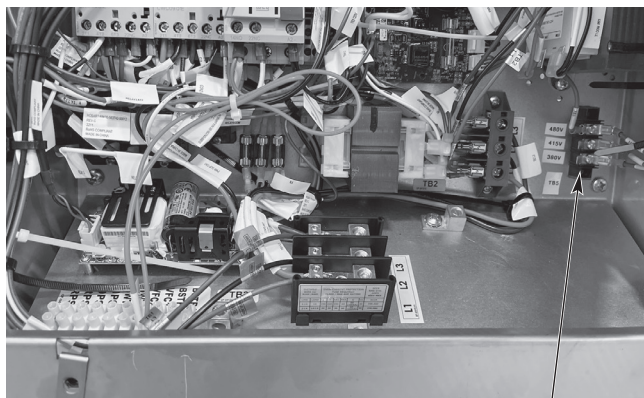
Cette procédure de réglage s'applique à tous les lave-vaisselle AM16 de 380 à 415 V, 50 Hz, 3 phases. Toutes les autres tensions du lave-vaisselle AM16 sont pré-réglées à l'usine et ne demandent aucune procédure d'ajustement.

CETTE PROCÉDURE NE PEUT ÊTRE EFFECTUÉE QUE PAR UN ELECTRICIEN DE SERVICE QUALIFIÉ.

Si la tension fournie vers la machine est de 415 V, aucun changement n'est nécessaire. Le transformateur du circuit de commande [T2] devrait être réglé pour fonctionner à 415 V.

Si la tension vers la machine est de 380 V, le transformateur du circuit de commande [T2] devrait être changé pour fonctionner à 380 V. Pour changer de prise de pression, déplacez le fil rouge sur le bornier TB5 de la prise 415 V à la prise 380 V.

REMARQUE : TB5 se trouve sur la plaque de base des commandes située sur le côté inférieur droit de la machine (Fig. 10).



BORNIER TB5 BLOC

Fig. 10

Rotation du moteur (machines de 480 V et 50 Hz uniquement)

Avant de mettre la machine en service, vérifiez la rotation correcte de la pompe de lavage du moteur en observant sa direction. Si le moteur de la pompe ne tourne pas dans le bon sens, **DÉBRANCHEZ L'ALIMENTATION ÉLECTRIQUE** et échangez deux des fils d'alimentation entrants. Connectez de nouveau l'alimentation et vérifiez que la rotation est correcte.

CONNEXIONS DE L'ÉQUIPEMENT

⚠ AVERTISSEMENT : Les raccords électriques et de mise à la terre doivent respecter les parties en vigueur du code national d'électricité.

⚠ AVERTISSEMENT : Débranchez l'alimentation électrique de la machine (à la fois le lave-vaisselle et le surpresseur, le cas échéant) et suivez les procédures de verrouillage/étiquetage. Assurez-vous qu'ils sont tous déconnectés.

Commande du ventilateur du conduit d'aération

La fonction de contrôle du ventilateur d'évacuation est standard sur tous les modèles AM16X avec ventilation. Le relais de commande du ventilateur d'aération fournit des contacts de commutation uniquement et ne fournit pas de courant au moteur du ventilateur d'aération. Le relais de contrôle du ventilateur d'aération connecté aux bornes VFC1 et VFC2 a un courant nominal de 1,5 A à la tension d'alimentation de la plaque signalétique. Quand le lave-vaisselle est relié au ventilateur d'aération, ce dernier s'allume quand le lave-vaisselle est en marche et s'éteint quand le lave-vaisselle est à l'arrêt.

INSTALLATION DES DISTRIBUTEURS DE DÉTERGENT, DE PRODUIT DE RINÇAGE ET D'AGENT ASSAINISSANT FOURNIS PAR HOBART

Tous les modèles AM16SCBX et AM16VLSCBX et sont équipés en standard de pompes chimiques. Les pompes à produits chimiques sont disponibles en tant que trousse d'accessoires (installés sur place) pour tous les autres modèles. Pour les machines de hauteur standard, commandez le code d'accessoire de vente CHEMPUMP-STD-AM16X ou la pièce de rechange n° 00- 563068-00004. Pour les machines hautes, commandez le code d'accessoire de vente CHEMPUMP-HTS-AM16X ou la pièce de rechange n° 00-563069-00005. Pour toutes instructions d'installation à la hauteur normale avec la trousse d'accessoires, référez-vous à F-45893. Pour toutes instructions d'installation à la hauteur élevée avec la trousse d'accessoires, référez-vous à F-45904.

Programmation des pompes chimiques (pour les machines équipées de pompes chimiques Hobart)

Le mode d'application de produits chimiques est réglé en usine. Cette procédure de réglage permet de vérifier ou de modifier les paramètres si des changements de dosage de produits chimiques sont nécessaires pour obtenir des concentrations correctes. Reportez-vous à la Programmation du menu de gestion (pages 25 à 28) pour régler les paramètres chimiques.

Amorçage des pompes chimiques

Toutes les machines équipées de pompes chimiques de Hobart s'amorceront automatiquement. Si un amorçage manuel est requis, suivre les étapes ci-dessous.

1. Mettez le lave-vaisselle sous tension. L'écran Ready (Prêt) s'affiche quand le cycle de remplissage est terminé.
2. Appuyez sur le bouton Menu.
3. Avec le symbole « > » à côté du « Manager Menu » (Menu de gestion), appuyez sur le bouton « Enter » (Entrée). L'écran « Enter Security Code » (Saisissez le code de sécurité) s'affichera.
4. Le code de gestionnaire par défaut est « 1001 ». Utilisez les boutons fléchés pour modifier la valeur, puis appuyez sur le bouton « Enter » (Entrée) pour sélectionner la valeur et passer au chiffre suivant jusqu'à ce que le code soit saisi.
5. Après le dernier chiffre et avoir appuyé sur « Enter », utilisez la flèche vers le bas et faites défiler jusqu'à ce que le symbole soit à côté de « Prime Chem Pumps » (Amorçage des pompes chimiques). Appuyez sur Enter (Entrée) et le « Chem Pump Menu » (Menu d'amorçage des pompes chimiques) s'affichera.
6. Si un ou plusieurs produits chimiques ne sont pas détectés, le message « Replace » (Remplacer) s'affichera à côté du ou des produits chimiques correspondants. Avec le symbole « > » à côté du « Start Prime » (Lancer amorçage), appuyez sur le bouton « Enter » (Entrée). Quand le bouton « Enter » est appuyé, la ou les pompes de produits chimiques commenceront leur amorçage dans les 90 secondes ou jusqu'à ce que le ou les produit(s) chimique(s) soit(ent) détecté(s). Si un ou plusieurs produits chimiques sont détectés, le message « OK » s'affichera à côté du ou des produits chimiques correspondants.
7. Pour quitter le menu une fois que les produits chimiques sont détectés, avec le symbole « > » à côté de « Exit » (Quitter), appuyez sur le bouton « Enter » (Entrée). Répétez cette procédure jusqu'à ce que l'écran Ready (Prêt) soit affiché.

Test des agents assainissants (machines d'assainissement aux produits chimiques)

1. Placez un bol de service ou un saladier à l'envers sur une grille et passez-le dans un cycle.
2. Après le cycle, plongez une bandelette de test d'agent assainissant dans l'eau recueillie à la surface du bol.
3. Comparez la bandelette d'essai à l'échelle d'essai fournie avec votre trousse d'essai (Fig. 11). Si le niveau de l'agent assainissant est en dehors des limites (c'est-à-dire inférieur à 50 ppm ou supérieur à 100 ppm), ajustez le dosage. Reportez-vous à la section Programmation de la pompe à produits chimiques (page 14), pour les instructions de réglage, ou contactez votre fournisseur de produits chimiques.

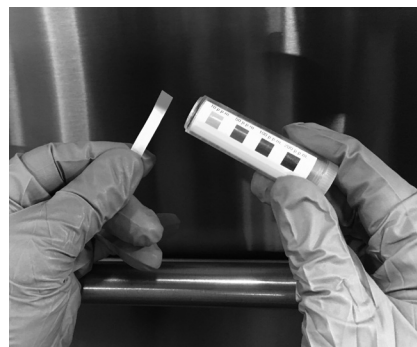


Fig. 11

DISTRIBUTEURS DE DÉTERGENT ET DE PRODUIT DE RINÇAGE (POUR LES MACHINES ÉQUIPÉES DE POMPES CHIMIQUES FOURNIES PAR DES TIERS)

Installation des tubes

Les distributeurs de détergent et de produit de rinçage non fournis par Hobart doivent avoir tous les raccords scellés contre les fuites.

Les lave-vaisselle de la série AM16X utilisent 2,5 l (0,67 gallon) d'eau de rinçage par grille à un débit de 15,1 l (4,02 gallons) par minute. Cette information est utilisée lors du réglage des pompes de détergent et de produit de rinçage.

REMARQUE : Tous les modèles AM16X utilisent un système de rinçage à pompe; une jauge de pression n'est pas nécessaire.

Distributeur de détergent

Le lave-vaisselle comporte trois trous bouchés de 2,2 cm (7/8 po) de diamètre; deux sur les parois latérales supérieures arrière de la cuve (un côté gauche, un côté droit, Fig. 12) et un sur la partie inférieure avant de la cuve (Fig. 13). Lorsque la cuve est vide, retirez les deux bouchons pour installer le distributeur de détergent.

- Les trous de la partie supérieure du réservoir sont destinés à l'installation du tube d'alimentation en détergent (utilisez l'emplacement situé à gauche ou à droite).
- Le trou inférieur du réservoir est utilisé pour l'installation du capteur de détergent.

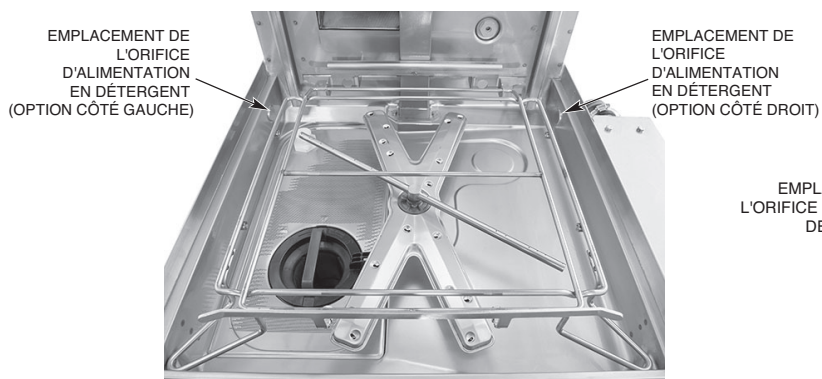


Fig. 12



Fig. 13



Fig. 14



Fig. 15

DISTRIBUTEURS DE DÉTERGENT ET DE PRODUIT DE RINÇAGE – CONNEXIONS DE L'ÉQUIPEMENT

⚠ AVERTISSEMENT : Les raccords électriques et de mise à la terre doivent respecter les parties en vigueur du code national d'électricité NFPA 70 (dernière édition) ou d'autres codes électriques locaux.

⚠ AVERTISSEMENT : Débranchez l'alimentation électrique de la machine (à la fois le lave-vaisselle et le surpresseur, le cas échéant) et suivez les procédures de verrouillage étiquetage. Assurez-vous qu'ils sont tous déconnectés.

Cette machine doit fonctionner avec un distributeur automatique de détergent, équipé d'un moyen visuel de vérifier la distribution des détergents ou d'une alarme visuelle ou audible pour signaler si les détergents ne peuvent être distribués aux systèmes de lavage et d'assainissement. Reportez-vous à la section d'installation de ce manuel et au(x) manuel(s) d'équipement du distributeur chimique.

Distributeur de détergent

Les bornes DPS1 et DPS2 (Fig. 16) sont alimentées par la tension de ligne contrôlée de la machine. Elles sont sous tension (ON) pendant le cycle de lavage et hors tension (OFF) entre les cycles, lorsque la machine est en cycle de détartrage ou lorsque l'alimentation de la machine est désactivée (OFF). **L'intensité maximale du distributeur de détergent connecté à DPS1 et DPS2 est de 1,5 A à la tension du secteur.** Vérifiez la tension d'alimentation de la machine et utilisez la tension correspondante du transformateur d'alimentation. Utilisez un fil isolé de 600 V minimum homologué UL pour les connexions. N'utilisez pas de fil de sonnette, de cordon de lampe ou de fil de type similaire. Les raccords, si nécessaire, doivent être effectués dans la boîte de jonction du transformateur d'alimentation (fournie par des tiers) - et non dans l'enceinte des commandes principales. Utilisez l'orifice de 2,2 cm (7/8 po) de diamètre situé dans le coin arrière droit de la machine pour le raccord de conduit de 1,3 cm (1/2 po). Retirez le panneau latéral droit. Des raccords de décharge de traction doivent être prévus pour tout le câblage.

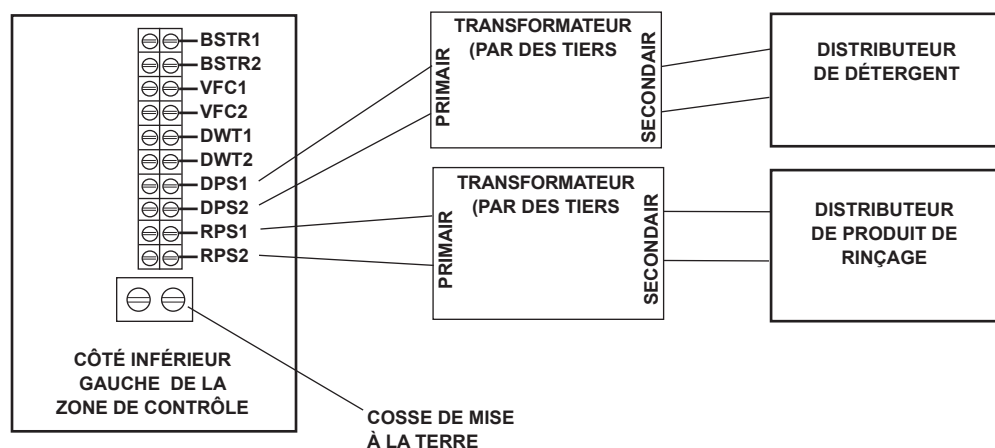


Fig. 16

Distributeur de produit de rinçage

Les bornes RPS1 et RPS2 (Fig. 16) sont alimentées par la tension de ligne contrôlée de la machine. Elles sont sous tension (ON) pendant le cycle de rinçage et hors tension (OFF) entre les cycles, lorsque la machine est en cycle de détartrage ou lorsque l'alimentation de la machine est désactivée (OFF). **L'intensité maximale du distributeur de produit de rinçage connecté à RPS1 et RPS2 est de 1,5 A à la tension du secteur.** Vérifiez la tension d'alimentation de la machine et utilisez la tension correspondante du transformateur d'alimentation. Utilisez un fil isolé de 600 V minimum homologué UL pour les connexions. N'utilisez pas de fil de sonnette, de cordon de lampe ou de fil de type similaire. Les raccords, si nécessaire, doivent être effectués dans la boîte de jonction du transformateur d'alimentation (fournie par des tiers) - et non dans l'enceinte des commandes principales. Utilisez l'orifice de 2,2 cm (7/8 po) de diamètre situé dans le coin arrière droit de la machine pour le raccord de conduit de 1,3 cm (1/2 po). Des raccords de décharge de traction doivent être prévus pour tout le câblage.

UTILISATION

PRÉPARATION

Le tuyau vertical doit se trouver à son emplacement correct sous le panier du filtre (Fig. 17). Placez le bac du filtre et le panier du filtre dans leur position correcte (Fig. 18).

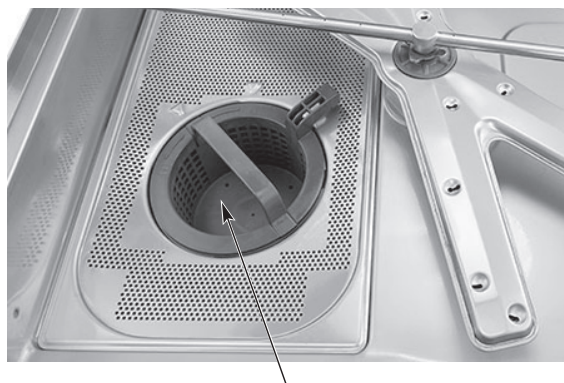


Fig. 17

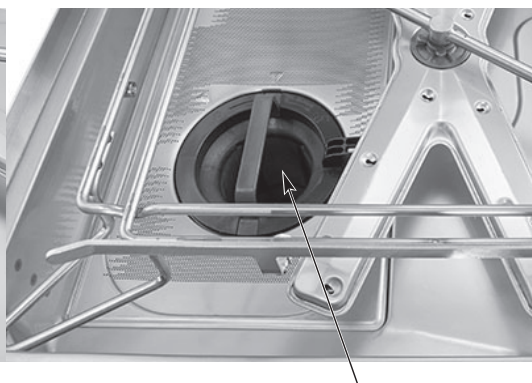


Fig. 18

REMARQUE : Lors de l'installation du panier du filtre, assurez-vous que le panier est en position « verrouillée » (Fig. 19).



PANIER DU FILTRE EN POSITION DÉVERROUILLÉE



PANIER DU FILTRE EN POSITION VERROUILLÉE

Fig. 19

Si la machine n'est pas équipée de pompes chimiques intégrées de Hobart, un distributeur automatique de détergent est nécessaire. Suivez attentivement les instructions du fournisseur.

Fermez la porte Appuyez sur le bouton MARCHÉ pour mettre la machine sous tension (Fig. 20). Si la porte de la machine est fermée et qu'il n'y a pas d'eau dans le réservoir, le cycle de remplissage commence automatiquement. Si de l'eau est détectée dans le réservoir, la machine évacue l'eau avant de la remplir d'eau fraîche. Pendant le cycle de remplissage, le mot FILL s'affiche avec l'image d'un robinet. Tout au long du cycle de remplissage, la machine alterne entre le mode de remplissage et le mode de préchauffage. Pendant le cycle de préchauffage, « WARM UP » s'affiche avec l'image d'un thermomètre.

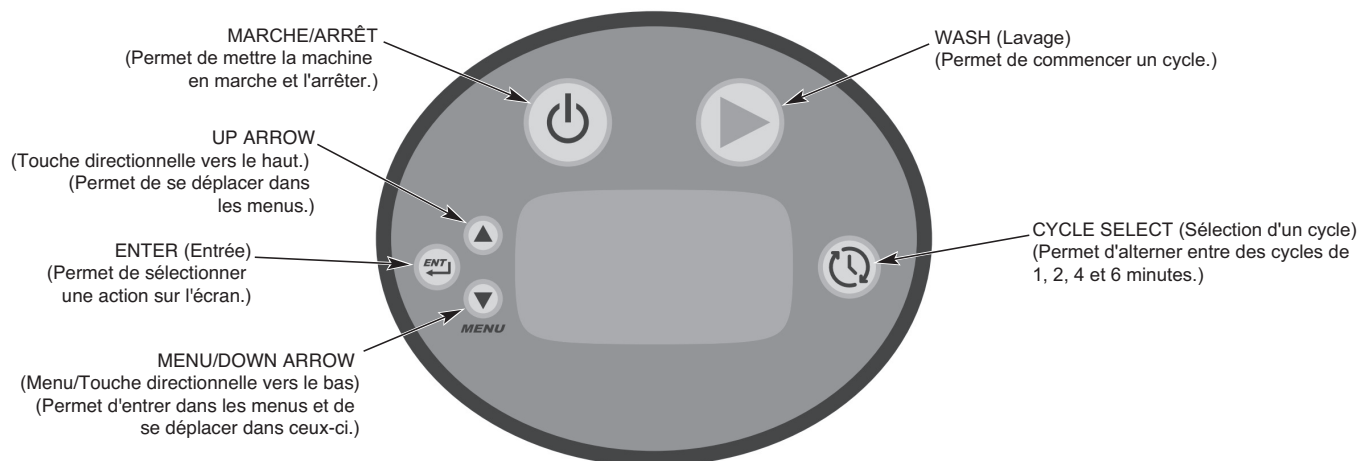


Fig. 20

REMARQUE : Sur les machines équipées de la fonction de récupération d'énergie, le processus de remplissage peut prendre jusqu'à 20 minutes.

LAVE-VAISSELLE

Grattez la vaisselle pour enlever les grosses particules d'aliments et les débris. N'utilisez jamais de laine d'acier sur la vaisselle à charger dans le lave-vaisselle.

Disposez les plats sur une grille. N'empilez pas les plats les uns sur les autres, car l'eau doit pouvoir accéder librement à tous les côtés de chaque plat. Placez les assiettes et les plats sur le côté dans une grille de type égouttoir (Fig. 21). Les tasses, les verres et les bols doivent être placés à l'envers dans une grille ouverte ou à compartiments (Fig. 21). L'argenterie et les autres petites pièces peuvent être éparpillées librement sur le fond d'une grille à fond plat.

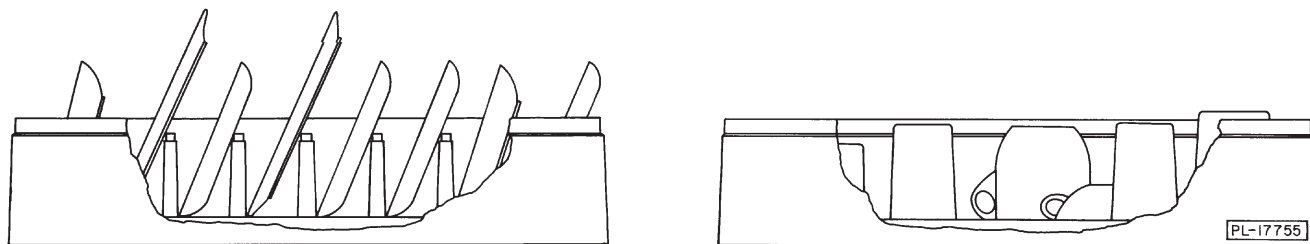


Fig. 21

Ne laissez pas d'objets étrangers pénétrer dans l'appareil, en particulier les contaminants métalliques.

Sélectionnez le cycle de lavage : 1 pour la vaisselle normale, 2, 4 ou 6 pour les casseroles et les poêles.

Après avoir rempli une grille, ouvrez la porte, faites glisser la grille dans le lave-vaisselle et fermez la porte.

Pendant le cycle de lavage, la température de l'eau du réservoir est affichée sur l'écran, ainsi que le mot WASH (Lavage). Pendant le cycle de rinçage, la température de l'eau de rinçage est affichée, ainsi que le mot RINSE (Rinçage) et une icône. Lorsque le cycle de rinçage est terminé, l'affichage indique READY (Terminé) et la température de l'eau du réservoir.

Pour les modèles sans ventilation, la porte doit rester fermée jusqu'à ce que le cycle de condensation soit terminé. Tous les modèles sans ventilation comprennent un verrou qui empêche l'ouverture de la porte jusqu'à ce que le cycle soit terminé. Un témoin de progression de la condensation s'affiche pendant le cycle de condensation. Le non-respect de ces instructions entraînera un excès de vapeur et de vapeur d'eau dans la salle de vaisselle.

Lorsque l'écran affiche « READY » (Terminé), ouvrez la porte, retirez la vaisselle propre, glissez une autre grille et fermez la porte.

Ce lave-vaisselle n'est pas conçu pour être ouvert avant la fin d'un cycle, mais si vous devez ajouter un plat après le début du cycle de lavage, ouvrez la porte lentement, jusqu'à ce que la pompe s'arrête. Attendez 10 secondes pour permettre au bras de lavage de descendre en roue libre et pour éviter les projections d'eau avant d'ouvrir complètement la porte.

Les températures de fonctionnement pour tous les modèles sont les suivantes :

Mode d'assainissement	Température de lavage pour lavage minimum	Température de rinçage pour rinçage minimum
Eau chaude	66 °C (150 °F)	82 °C (180 °F)
Produits chimiques	49 °C (120 °F)	49 °C (120 °F)

Pour les modèles « VL » uniquement – Si des quantités excessives de vapeur ou de vapeur d'eau sortent de la machine après la fin du cycle et l'ouverture de la porte, la température de l'eau froide entrante est peut-être trop élevée. Contactez le service de Hobart pour régler les temps de rinçage et de condensation selon le tableau de réglage ci-dessous. L'augmentation de la durée du cycle augmentera la consommation d'eau et diminuera le nombre de grilles par heure, mais devrait réduire la vapeur et la vapeur d'eau entrant dans la salle de vaisselle.

TEMPS DE CONDENSATION RECOMMANDÉ (basé sur la température de l'eau entrante)

AM16VL-BASX

Température de l'eau entrante °F (°C)	Temps de condensation (s)	Temps de rinçage (s)	Supports par heure Base sans ventilation (cycle de 1 min.)
60 (16)	20	10	45
80 (27)	33	11	38
85+ (29+)	36	12	36

AM16VL-BASX

Température de l'eau entrante °F (°C)	Temps de condensation (s)	Temps de rinçage (s)	Supports par heure Base sans ventilation (cycle de 1 min.)
60 (16)	30	10	40
65 (18)	33	11	38
70 (21)	36	12	36
75 (24)	39	13	35
80 (27)	42	14	33
85+ (29+)	45	15	32

Pour les modèles AM16SCB uniquement – Le lavage ne démarre pas si la température de la cuve de lavage n'atteint pas 49 °C (120 °F) ou si la température du surpresseur n'atteint pas 49 °C (120 °F). Pendant ce temps, HEATING (en cours de chauffe) s'affiche à l'écran jusqu'à ce que les températures de lavage et de rinçage atteignent 49 °C (120 °F). Si la température de rinçage final n'atteint pas 49 °C (120 °F), « Rinse Temperature Too Low! Press Power Button To Start Draining » (Température minimale de rinçage final non atteinte! Appuyer sur le bouton de démarrage pour commencer le drainage) s'affiche et la machine reste verrouillée jusqu'à ce qu'elle soit vidangée et remplie de nouveau.

Si la réserve d'agent assainissant est épuisée après 3 cycles, « SANITIZER SUPPLY EMPTY, Replace Sanitizer And Press Enter » (L'agent assainissant est épuisé, remplacer l'agent assainissant et appuyer sur « Enter » [Entrée]) s'affichera et la machine ne peut pas être utilisée. Remplacez l'alimentation en agent assainissant et appuyez sur « Enter » (Entrée) pour amorcer. La pompe s'amorcera pendant 90 secondes ou jusqu'à ce que l'agent assainissant soit détecté. Si aucun produit chimique est détecté, appuyez de nouveau sur « Enter » (Entrée).

Si la réserve de détergent est épuisée après 3 cycles, « DETERGENT SUPPLY EMPTY, Replace Detergent And Press Enter » (Le détergent est épuisé, remplacer le détergent et appuyer sur « Enter » [Entrée]) s'affichera et la machine ne peut pas être utilisée. Remplacez l'alimentation en détergent et appuyez sur « Enter » (Entrée) pour amorcer. La pompe s'amorcera pendant 90 secondes ou jusqu'à ce que le détergent soit détecté. Si aucun produit chimique est détecté, appuyez de nouveau sur « Enter » (Entrée).

NETTOYAGE

La machine doit être soigneusement nettoyée à la fin de chaque quart de travail ou au moins quotidiennement. N'utilisez jamais de laine d'acier pour le nettoyage des surfaces du lave-vaisselle. N'utilisez que des produits formulés pour être sans danger pour l'acier inoxydable.

1. Appuyez sur le bouton d'alimentation pour vidanger la machine et la mettre hors tension.
2. Une fois que l'écran s'est éteint, ouvrez la porte de la machine.
3. Nettoyez et rincez soigneusement l'intérieur du lave-vaisselle. Enlevez les saletés restantes avec un chiffon doux ou une brosse et un nettoyant doux. Rincez à nouveau.
4. Retirez et videz le panier du filtre, le bac et le tuyau vertical. Lavez et rincez soigneusement.
5. Nettoyez le fond du réservoir. Ne laissez pas de déchets alimentaires s'accumuler au fond du réservoir ni s'infiltrer dans le drain.
6. Assurez-vous que les bras de lavage et de rinçage supérieurs et inférieurs (Fig. 22, 23) tournent librement et ne sont pas obstrués. Si ce n'est pas le cas, retirez les bras et éliminez les obstructions éventuelles. Reportez-vous à la section Entretien, page 29.

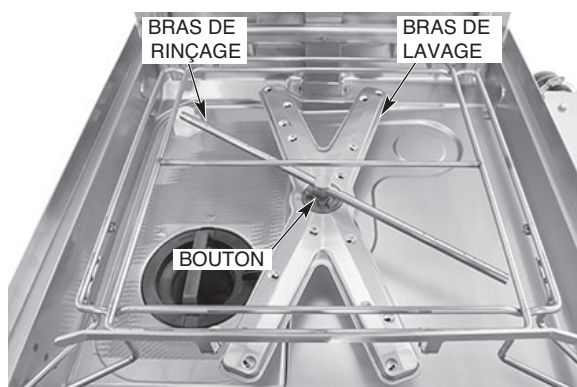


Fig. 22

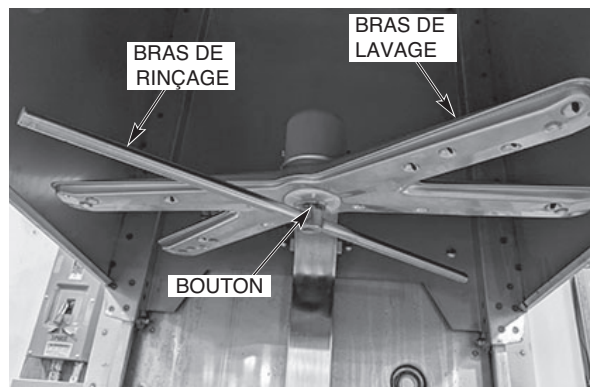


Fig. 23

REMARQUE : Ne cognez ni ne rincez les bras pour les nettoyer.

7. Remettez en place toutes les pièces retirées. Laissez la porte de la machine ouverte pour permettre à l'intérieur de s'aérer et de sécher.

CHOSSES À FAIRE ET À NE PAS FAIRE EN CE QUI CONCERNE VOTRE NOUVEAU LAVE-VAISSELLE HOBART

Veillez à ce que la dureté de l'eau soit correcte (3 grains ou moins par gallon sont recommandés). Faites un pré-nettoyage de la vaisselle.

N'utilisez que des détergents recommandés par votre expert en produits chimiques.

À la fin de la journée, nettoyez soigneusement la machine, rincez-la et séchez-la (laissez la porte ouverte). Suivez scrupuleusement le calendrier de détartrage prescrit par votre expert en produits chimiques.

N'utilisez que des produits formulés pour être sans danger pour l'acier inoxydable. N'utilisez pas de détergents formulés pour les lave-vaisselle résidentiels. Ne laissez pas les saletés alimentaires s'accumuler au fond de la cuve.

Ne dépassez pas les concentrations recommandées par le fabricant de produits chimiques pour les détergents, les agents assainissants, les produits de rinçage ou les produits de détartrage.

N'utilisez pas de laine d'acier pour nettoyer les surfaces de la vaisselle ou du lave-vaisselle.

Ne laissez pas d'objets étrangers pénétrer dans l'appareil, en particulier les contaminants métalliques tels que les trombones, les attaches, etc.

REMARQUE : Le non-respect des instructions concernant le fonctionnement, le soin et l'entretien de votre lave-vaisselle Hobart peut entraîner l'annulation de la garantie.

PROGRAMMATION

MENU DE GESTION

Les lave-vaisselle AM16X offrent des options de personnalisation pour le fonctionnement de la machine. Pour activer ou modifier ces fonctions, entrez dans le menu de gestion en suivant la procédure suivante.

1. Mettez le lave-vaisselle sous tension. L'écran Ready (Prêt) s'affiche quand le cycle de remplissage est terminé.
2. Appuyez sur le bouton Menu.
3. Avec le symbole « > » à côté du « Manager Menu » (Menu de gestion), appuyez sur le bouton « Enter » (Entrée). L'écran « Enter Security Code » (Saisissez le code de sécurité) s'affichera.
4. Le code de gestionnaire par défaut est « 1001 ». Utilisez les boutons fléchés pour modifier la valeur, puis appuyez sur le bouton « Enter » (Entrée) pour sélectionner la valeur et passer au chiffre suivant jusqu'à ce que le code soit saisi.
5. Utilisez les flèches vers le haut et vers le bas pour passer d'un élément à l'autre du menu de gestion.
 - a. Une fois que le symbole « > » est à côté de la sélection souhaitée, appuyez sur le bouton « Enter » (Entrée).
 - b. Pour les sélections qui sont modifiables, utilisez les flèches haut et bas pour changer la valeur.
 - c. Une fois la valeur requise affichée, appuyez sur le bouton « Enter » pour enregistrer la sélection.
6. Pour quitter la programmation, utilisez les flèches vers le haut et vers le bas pour faire défiler les paramètres jusqu'à ce que le symbole « > » soit à côté du « Exit Menu » (Menu quitter) et appuyez sur le bouton « Enter » (Entrée). Répétez cette procédure jusqu'à ce que l'écran Ready (Prêt) soit affiché.

PARAMÈTRES DU MENU DE GESTION

MODIFICATION DES PARAMÈTRES					
Nom du paramètre	Modèles applicables		Description	Valeurs possibles	Default Value
Pompe du détergent	AM16SCBX AM16VLSCBX		Hobart a prévu un fonctionnement de la pompe du détergent.	Disabled/ Enabled (Désactivé/ Activé)	Enabled (Activé)
		AM16(T)-BASX AM16VL(T)-BASX			Disabled (Désactivé)
Débit du détergent	AM16SCBX AM16VLSCBX		Débit du détergent mesuré en ml par cycle.	ARRÊT jusqu'à 22,6 ml	6,3 ml
		AM16(T)-BASX AM16VL(T)-BASX			OFF (Arrêt)
Pompe pour produit de rinçage	AM16SCBX AM16VLSCBX		Hobart fournit une pompe pour produit de rinçage.	Disabled/ Enabled (Désactivé/ Activé)	Enabled (Activé)
		AM16(T)-BASX AM16VL(T)-BASX			Disabled (Désactivé)

MODIFICATION DES PARAMÈTRES					
Nom du paramètre	Modèles applicables		Description	Valeurs possibles	Valeur par défaut
Débit pour le produit de rinçage	AM16SCBX AM16VLSCBX		Le débit du produit de rinçage est mesuré en ml par cycle.	Arrêt jusqu'à 9,1 ml	3 ml
		AM16(T)-BASX AM16VL(T)-BASX			OFF (Arrêt)
Débit de l'agent assainissant	AM16SCBX AM16VLSCBX	S/O	Débit de l'agent assainissant mesuré en cycle d'utilisation en % par cycle.	0 à 100 % (par 10 s)	50 %
Détartrage	AM16SCBX AM16VLSCBX	AM16(T)-BASX AM16VL(T)-BASX	Activer ou désactiver le témoin de l'option de détartrage.	Enabled/ Disabled (Activer/ Désactiver)	Enabled (Activé)
Verrouillage du détartrage	AM16SCBX AM16VLSCBX	AM16(T)-BASX AM16VL(T)-BASX	La machine ne fonctionne plus lorsque le nombre de cycles par détartrage est atteint.	Non/Oui	Non
Limite du cycle de détartrage	AM16SCBX AM16VLSCBX	AM16(T)-BASX AM16VL(T)-BASX	Nombre de fois que la machine peut être mise sous tension avant d'être verrouillée si le cycle de détartrage n'a pas été exécuté.	1 à 10 (par 1 seconde)	10
Unités de température	AM16SCBX AM16VLSCBX	AM16(T)-BASX AM16VL(T)-BASX	Règle les unités d'affichage en degrés Fahrenheit ou Celsius.	Fahrenheit ou Celsius	Fahrenheit
Mode d'économie d'énergie	AM16SCBX AM16VLSCBX	AM16(T)-BASX AM16VL(T)-BASX	Ce réglage permet de contrôler lorsque la machine éteint les appareils de chauffage afin d'économiser de l'énergie lorsqu'ils ne sont pas utilisés.	Désactivée/ 1 heure/2 heures/3 heures	2 heures
Language (Langue)	AM16SCBX AM16VLSCBX	AM16(T)-BASX AM16VL(T)-BASX	Règle la langue d'affichage.	Anglais/ français/ espagnol	English (Anglais)
Programme de lavage	AM16SCBX AM16VLSCBX	AM16(T)-BASX AM16VL(T)-BASX	Règle la durée du cycle de lavage.	1 min., 2 min., 4 min., 6 min.	1 min.
Indication du verrouillage de la porte	AM16VLSCBX	AM16VL(T)-BASX	Indique quand le verrouillage de la porte est activé.	Disabled/ Enabled (Désactivé/ Activé)	Enabled (Activé)
	AM16SCBX	AM16(T)-BASX			Disabled (Désactivé)
Confirmation de l'arrêt	AM16SCBX AM16VLSCBX	AM16(T)-BASX AM16VL(T)-BASX	Active ou désactive l'écran de confirmation de l'arrêt.	Non/Oui	Non

MODIFICATION DES PARAMÈTRES					
Nom du paramètre	Modèles applicables		Description	Valeurs possibles	Valeur par défaut
Detergent Monitor (Contrôle de détergent)	AM16SCBX AM16VLSCBX		Permet la notification ou le verrouillage en fonction de la détection d'un produit chimique détergent.	Disabled/ Enabled/ Lockout Enabled (Désactivé/ Activé/ Verrouillage activé)	Lockout Enabled (Verrouillage activé)
		AM16(T)-BASX AM16VL(T)-BASX			Disabled (Désactivé)
Verrouillage de la pompe chimique	AM16SCBX AM16VLSCBX		Spécifie l'emplacement de la pompe chimique. Interne pour les pompes chimiques fournies par Hobart et externe pour les autres pompes chimiques.	Internal/ External (Interne ou Externe)	Internal (Interne)
		AM16(T)-BASX AM16VL(T)-BASX			External (Externe)
Sanitizer Monitor (Contrôle de l'agent assainissant)	AM16SCBX AM16VLSCBX	S/O	Permet la notification ou le verrouillage en fonction de la détection d'un produit chimique assainissant.	Disabled/ Enabled/ Lockout Enabled (Désactivé/ Activé/ Verrouillage activé)	Lockout Enabled (Verrouillage activé)
Rapid Fill (Remplissage rapide)	AM16SCBX	AM16(T)-BASX AM16VL(T)-BASX	Active ou désactive la fonction de remplissage rapide. Remarque : Requiert l'installation d'une trousse de remplissage rapide facultative.	Enabled/ Disabled (Activer/ Désactiver)	Disabled (Désactivé)
Rinse Temp Lockout (Verrouillage de la température de rinçage)	AM16SCBX AM16VLSCBX		Verrouille la machine si la température minimale de rinçage final n'est pas atteinte.	Lockout/ Disabled/ Alert Only (Verrouillage/ Désactivé/ Alerte uniquement)	Lockout (Verrouillage)
		AM16(T)-BASX AM16VL(T)-BASX			Disabled (Désactivé)
Modbus	AM16SCBX AM16VLSCBX	AM16(T)-BASX AM16VL(T)-BASX	Active ou Désactive la lecture du registre de la machine d'une partie tierce. Remarque : Chaque machine doit être équipée d'un équipement de contrôle afin que la lecture du registre puisse se faire.	Enabled/ Disabled (Activer/ Désactiver)	Enabled (Activé)

MODIFICATION DES PARAMÈTRES					
Nom du paramètre	Modèles applicables		Description	Valeurs possibles	Valeur par défaut
Wash Tank Temp Delay (Délai de la température du réservoir de lavage)	AM16SCBX AM16VLSCBX		Retarde le démarrage du cycle de lavage jusqu'à ce que la température minimale de la NSF soit atteinte.	Enabled/ Disabled (Activer/ Désactiver)	Enabled (Activé)
		AM16(T)-BASX AM16VL(T)-BASX			Disabled (Désactivé)
Strainer Basket (Panier du filtre)	AM16SCBX AM16VLSCBX	AM16(T)-BASX AM16VL(T)-BASX	Configure la machine pour qu'elle ignore, alerte ou verrouille l'utilisateur si le panier du filtre n'est pas en place.	Ignorer/Alerte/ Verrouillage	Verrouillage
Menu « Exit » (Sortie)					
DÉTARTRAGE MAINTENANT					
Nom du paramètre	Modèles applicables		Description	Valeurs possibles	Valeur par défaut
Détartrage maintenant	AM16SCBX AM16VLSCBX	AM16(T)-BASX AM16VL(T)-BASX	Détartrage recommandé Souhaitez-vous faire un détartrage maintenant? DÉTARTRAGE EN COURS 1. Retirez, nettoyez et remplacez le filtre. 2. Appuyez sur « Enter » (Entrée).	Oui/Non	Non
AMORCER LES POMPES CHIMIQUES					
Nom du paramètre	Modèles applicables		Description	Valeurs possibles	
Menu de la pompe	AM16SCBX AM16VLSCBX	S/O	Amorce automatiquement l'agent d'assainissement	Assainisseur	Remplacer/ OK
		AM16(T)-BASX AM16VL(T)-BASX	Amorce automatiquement le détergent	Détergent	Remplacer/ OK
			« Automatically Primes Rinse Aid » Amorçage automatique du produit de rinçage	Produit de rinçage	Remplacer/ OK

ENTRETIEN

▲ AVERTISSEMENT : Débranchez l'alimentation électrique de la machine (à la fois le lave-vaisselle et le surpresseur, le cas échéant) et suivez les procédures de verrouillage/étiquetage. Assurez-vous que tous les circuits sont déconnectés.

BRAS DE LAVAGE

Les bras de lavage et de rinçage supérieurs et inférieurs (page 23, Fig. 22, 23) doivent tourner librement et continuer à tourner pendant quelques secondes après avoir été tournés à la main. Retirez toute obstruction causant un mauvais fonctionnement.

Si le bac ou le panier du filtre n'est pas correctement mis en place, des obstructions (telles que des particules d'aliments ou des os) peuvent boucher les buses du bras de lavage. Les bras de lavage sont facilement démontables pour le nettoyage.

Pour retirer le bras de lavage inférieur, dévissez le bouton à main et soulevez le bras de rinçage (Fig. 22). Le bras de lavage peut être soulevé une fois le bras de rinçage retiré.

Les bras supérieurs de lavage et de rinçage sont retirés en dévissant le bouton à main (Fig. 23) et en abaissant les deux bras ensemble. Veillez à ne pas faire tomber les bras.

MOTEUR(S)

Le moteur de la pompe de lavage, le moteur de la pompe de rinçage, le moteur de la pompe de vidange et le moteur du ventilateur (modèles « VL » uniquement) sont équipés de roulements à lubrification permanente et ne nécessitent aucun entretien de lubrification.

POMPES CHIMIQUES

Si l'unité est équipée de pompes chimiques de Hobart intégrées, inspectez les tubes chimiques tous les 6 mois et remplacez-les si nécessaire. Inspectez également les bouchons de bouteilles de produits chimiques et les tuyaux verticaux d'évacuation pour s'assurer qu'ils ne sont pas fissurés ni usés.

INSTRUCTIONS DE DÉTARTRAGE

Pour accéder au cycle de détartrage sans notification, se référer à PROGRAMMING (Programmation) [page 25] pour accéder au « Manager Menu, Delime Now » (Menu de gestion, détartrer maintenant).

Processus de détartrage

La machine invitera l'opérateur à procéder au détartrage en fonction d'un nombre défini de cycles effectués. Lorsque l'opérateur est invité à le faire, l'afficheur indique « DELIME RECOMMENDED. Would you like to delime now? » (Détartrage recommandé, Souhaitez-vous faire un détartrage maintenant?) Si l'appareil est prêt à être détartré, appuyez sur l'un des boutons fléchés pour déplacer le symbole « > » à côté de « yes » (oui) et appuyez sur le bouton « Enter » (Entrée). Appuyez sur le bouton « Enter » (Entrée) à côté de « no » (non) afin d'effectuer le détartrage de la machine plus tard. Si « yes » (oui) est sélectionné pour démarrer un cycle de détartrage, suivez les étapes ci-après.

1. L'écran affiche le message « DELIME INITIATED » (Détartrage initié). 1) Retirez, nettoyez et remplacez le filtre; 2) Appuyez sur « Enter » (Entrée). Ouvrez la porte de la machine et retirez le panier et le bac du filtre. Nettoyez le panier et le bac dans un évier avec un détergent doux et rincez.

2. Remplacez le bac et le panier du filtre dans la machine et assurez-vous que le panier est en position verrouillée (page 19, Fig. 19).
3. Fermez la porte de la machine et appuyez sur le bouton « Enter » (Entrée). La machine se vidange. Une fois que la machine a été vidangée, l'appareil sera rempli avec de l'eau fraîche.
4. Une fois le cycle de remplissage terminé, l'écran affiche le message « ADD DELIME AGENT, 1) Add delime agent, 2) Press enter » [1)Ajouter un agent de détartrage, 2) Appuyez sur Enter (Entrée)]. Ouvrez la porte de la machine et versez la quantité requise de produit de détartrage dans le réservoir de lavage, conformément aux recommandations des fournisseurs de produits chimiques pour un réservoir de lavage de 37,9 l (10,5 gallons), puis fermez la porte.
5. Une fois la porte fermée, appuyez sur le bouton « Enter » (Entrée). L'appareil commence un cycle de lavage de 10 minutes.
6. Après un cycle de lavage de 10 minutes, la machine se vide et se remplit d'eau fraîche. Une fois rempli, l'appareil entame un cycle de lavage d'une minute pour éliminer tout résidu de produit chimique de détartrage.
7. Après un cycle de lavage d'une minute, la machine se vide et s'éteint.

Verrouillage du détartrage

Si la fonction de verrouillage du détartrage est activée dans la Programmation en mode gestionnaire et que le rappel du détartrage s'affiche, la machine permet de laver jusqu'à 10 cycles d'arrêt/de marche avant que le bouton de lavage ne soit désactivé. Reportez-vous à la Programmation du menu du gestionnaire pages 25 à 28.

Limite du cycle de verrouillage du détartrage

Lorsque le verrouillage du détartrage est activé, cela définit le nombre de fois que la machine s'allume avant que le bouton de lavage ne soit désactivé. Les réglages sont de 1 to 10 cycles de puissance. Reportez-vous à la Programmation du menu du gestionnaire pages 25 à 28.

NETTOYAGE DES DÉFLECTEURS SUR LE MODÈLE AM16VLT-BASX

Les déflecteurs (supérieur et inférieur), situés sur la paroi arrière de l'intérieur de la machine (Fig. 24), doivent être nettoyés tous les 6 mois ou plus tôt si nécessaire.

▲ AVERTISSEMENT : Débranchez l'alimentation électrique de la machine (à la fois le lave-vaisselle et le surpresseur, le cas échéant) et suivez les procédures de verrouillage/étiquetage. Assurez-vous que tous les circuits sont déconnectés.

1. Desserrez et retirez les écrous de chaque déflecteur et retirez les déflecteurs.
2. Des débris peuvent s'accumuler sur les surfaces des déflecteurs et doivent être lavés dans un évier avec un détergent doux et rincés.
3. Remettez les déflecteurs en place en utilisant les écrous retirés à l'étape 1.
4. Laissez la porte de la machine ouverte pour permettre à l'intérieur de s'aérer et de sécher.

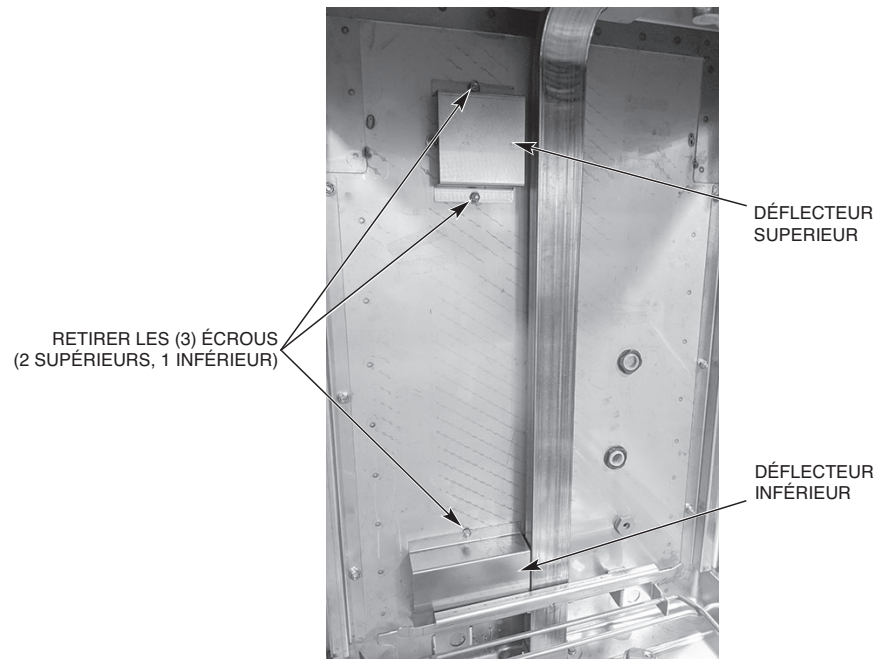









Fig. 24

PROBLÈMES ET SOLUTIONS

DIAGNOSTIC/MESSAGES D'ERREUR

Erreur	Afficheur		Description
Door open (Porte mal fermée)	Door open (Porte mal fermée)		Affiché quand la porte de la machine est ouverte.
Wash Thermistor Error (Erreur de thermistance de lavage)	CAPTEUR DE LA TEMPÉRATURE DE LAVAGE -----Erreur----- Entretien requis Appuyez sur « Enter » (Entrée)		Erreur affichée si la vérification de la température de lavage est hors limites. La machine continue à effectuer les cycles.
Booster Thermistor Error (Erreur de thermistance du réchauffeur d'appoint)	CAPTEUR DE LA TEMPÉRATURE DU RÉCHAUFFEUR D'APPOINT -----Erreur----- Entretien requis Appuyez sur « Enter » (Entrée)		Erreur affichée si la vérification de la température du réchauffeur d'appoint est hors limites. La machine continue à effectuer les cycles.
Final Rinse Thermistor Error (Erreur de thermistance du rinçage final)	CAPTEUR DE LA TEMPÉRATURE DE RINÇAGE -----Erreur----- Entretien requis Appuyez sur « Enter » (Entrée)		Erreur affichée si la vérification de la température du rinçage final est hors limites. La machine continue à effectuer les cycles.
Drain Error (Erreur de drainage)	DRAIN ERROR (Erreur de drainage) -----Erreur----- Entretien requis Appuyez sur « Enter » (Entrée)		Erreur affichée si le niveau d'eau du réservoir de lavage est supérieur à la limite supérieure de 2 250 mV. La machine ne fonctionnera pas et continuera de rester arrêtée.
Sump Level Error (Erreur de niveau du puisage)	SUMP LEVEL SENSOR (Erreur de niveau du puisage) -----Erreur----- Entretien requis Appuyez sur « Enter » (Entrée)		Erreur affichée si l'interrupteur de la pression du puisage est hors limites. La machine ne fonctionnera pas et n'acceptera que d'être arrêtée.
Sump Level low Error (Erreur de niveau bas du puisage)	SUMP LEVEL LOW (Niveau bas du puisage) -----Erreur----- Entretien requis Appuyez sur « Enter » (Entrée)		Erreur affichée si le niveau du puisage est en dessous de 700 mV.
Booster Level Error (Erreur de niveau du réchauffeur d'appoint)	BOOSTER LEVEL SENSOR (Capteur du niveau du réchauffeur d'appoint) -----Erreur----- Entretien requis Appuyez sur « Enter » (Entrée)		Erreur affichée si l'interrupteur de la pression du réchauffeur d'appoint est hors limites. La machine ne fonctionnera pas et n'acceptera que d'être arrêtée.
Low Water in Booster (Niveau d'eau bas dans le réchauffeur d'appoint)	ERREUR DE REMPLISSAGE -----Erreur----- Entretien requis Appuyez sur « Enter » (Entrée)		Erreur affichée si l'appareil s'arrête dans les 600 secondes avant d'être entièrement remplie. La machine ne fonctionnera pas et n'acceptera que d'être arrêtée.

Erreur	Afficheur	Description
Wash tank temp overtemp tripped (La surchauffe de la température du réservoir de lavage s'est déclenchée)	SUMP OVERTEMP (Surchauffe du puisage) -----Erreur----- Entretien requis Appuyez sur « Enter » (Entrée)	La surchauffe du réservoir de lavage a été déclenchée. L'erreur ne peut pas être effacée tant que la surchauffe n'a pas été réinitialisée. Contactez le service après-vente de Hobart.
Booster temp overtemp tripped (La surchauffe de la température du réchauffeur d'appoint s'est déclenchée)	BOOSTER OVERTEMP (Surchauffe du réchauffeur d'appoint) -----Erreur----- Entretien requis Appuyez sur « Enter » (Entrée)	La surchauffe du réchauffeur d'appoint a été déclenchée. L'erreur ne peut pas être effacée tant que la surchauffe n'a pas été réinitialisée. Contactez le service après-vente de Hobart.
Rinse aid empty Warning (Avertissement que le produit de rinçage est épuisé)	ADD RINSE AID (Ajoutez du produit de rinçage)	Erreur affichée si la machine ne détecte pas le produit de rinçage. La machine continuera à effectuer les cycles.
Detergent empty Warning (Avertissement que le détergent est épuisé)	ADD DETERGENT (Ajoutez du détergent)	Erreur affichée si la machine ne détecte pas le détergent. La machine continuera à effectuer les cycles. (Le contrôle du détergent doit être activé.)
Detergent Empty Lockout (Verrouillage si le réservoir du détergent est épuisé)	DETERGENT SUPPLY EMPTY (Alimentation du détergent épuisée) Remettez du détergent et appuyez sur « Enter » (Entrée)	Si le réservoir du détergent est épuisé 3 fois et que le verrouillage du détergent est activé, l'erreur s'affichera. La machine ne fonctionnera pas et n'acceptera que d'être arrêtée et un amorçage.
Sanitizer empty Warning (Avertissement que l'agent assainissant est épuisé)	ADD SANITIZER (Ajoutez de l'agent d'assainissement)	Erreur affichée si la machine ne détecte pas l'agent assainissant. La machine continuera à effectuer les cycles.
Sanitizer empty lockout (Verrouillage si l'agent assainissant est épuisé)	SANITIZER SUPPLY EMPTY (L'agent assainissant est épuisé) Remettez de l'agent assainissant et appuyez sur « Enter » (Entrée)	Si l'agent assainissant est épuisé 3 fois et que le verrouillage du détergent est activé, l'erreur s'affichera. La machine ne fonctionnera pas et n'acceptera que d'être arrêtée et un amorçage.
Low Rinse Temperature Warning (Avertissement que la température de rinçage est basse)	LOW RINSE TEMP (Température de rinçage basse)	Après deux températures basses consécutives, si le problème se produit au troisième cycle consécutif, l'erreur s'affiche. La machine continue à effectuer les cycles.

Erreur	Afficheur		Description
Température de rinçage basse (3 d'affilée), verrouillage	Rinse temperature too low! (La température du rinçage est trop basse)! Appuyer sur le bouton de marche-arrêt pour commencer le drainage		Si le verrouillage du rinçage final est activé et que la température de rinçage final n'a pas atteint la température minimale de rinçage final après trois cycles consécutifs, la machine se verrouille.
Verrouillage du détartrage	DELIME REQUIRED (Détartrage nécessaire) Vous devez effectuer maintenant un cycle de détartrage! > Détartrage maintenant		Si le verrouillage du détartrage est activé, la machine se verrouillera en raison du rappel de détartrage ignoré 10 fois.
Surveillance du contacteur de la température de lavage	ALERTE! Condition dangereuse Erreur du contacteur Arrêtez le disjoncteur Contactez le service après-vente		Le chauffage du réservoir de lavage reste allumé tout en ignorant l'ordre du logiciel de l'éteindre. La machine effectue un cycle de remplissage et de vidange pour protéger l'élément chauffant. Cette erreur ne peut pas être corrigée par l'utilisateur. Coupez l'alimentation du disjoncteur et contactez le service de Hobart.
Surveillance du contacteur de la température du réchauffeur d'appoint	ALERTE! Condition dangereuse Erreur du contacteur Arrêtez le disjoncteur Contactez le service après-vente		Le chauffage d'appoint reste allumé tout en ignorant l'ordre du logiciel de l'éteindre. La machine effectue un cycle de remplissage et de vidange pour protéger l'élément chauffant. Cette erreur ne peut pas être corrigée par l'utilisateur. Coupez l'alimentation du disjoncteur et contactez le service de Hobart.
Délai de la température du réservoir de lavage	La température n'est pas atteinte. Vidangez et redémarrez la machine. Appuyez sur le bouton Marche-Arrêt.		La température de lavage n'a pas atteint le point de consigne minimum requis pendant la période d'arrêt.
Strainer Basket Error (Erreur du panier du filtre)	Assurez-vous que le réservoir du filtre est verrouillé en place.		Le panier du filtre n'est pas inséré, ou il n'est pas en position de verrouillage.

MODULE DE COMMUNICATION

Pour les modèles AM16SCBX équipés du module de communication embarqué sPod^{MD}, l'unité se connectera automatiquement à une passerelle SiteSage^{MD} et commencera à transmettre les données pertinentes pour la surveillance à distance au démarrage. En cas de problème, contactez le groupe d'assistance de votre fournisseur de système de communication.

ANOMALIE	CAUSE ÉVENTUELLE
Pas de fonctionnement de la machine.	<ol style="list-style-type: none"> 1. Machine éteinte, mettre la machine en marche. 2. Fusible grillé ou disjoncteur déclenché au niveau de l'alimentation électrique.
La vaisselle n'est pas propre.	<ol style="list-style-type: none"> 1. Perte de pression d'eau due à l'obstruction de la pompe. ▲ AVERTISSEMENT : Débranchez l'alimentation électrique (du lave-vaisselle et du surpresseur, le cas échéant) et videz le réservoir. Retirez le filtre et le tuyau vertical et vérifiez que la pompe et la prise d'eau de vidange ne sont pas obstruées. 2. Température de l'eau inadéquate. Contactez le service après-vente pour un réglage ou une réparation. 3. Dépôts minéraux excessifs dans tout le système de lavage et de rinçage. Un détartrage peut être nécessaire, voir page 29. 4. Vérifiez les bras de lavage et de rinçage pour vous assurer qu'ils ne sont pas obstrués et qu'ils tournent correctement. 5. Vérifiez l'arrière des bras de lavage et assurez-vous que les bouchons de nettoyage en plastique sont en place et bien fixés. 6. Les filtres sont obstrués, ce qui entraîne une alimentation en eau insuffisante de la pompe; nettoyez la machine conformément au paragraphe Nettoyage, page 23. 7. Assurez-vous que le distributeur de produits chimiques fonctionne correctement. 8. Excès de saleté; frottez les plats avant le cycle 9. Chargement incorrect de la grille; reportez-vous à la section Préparation et lavage de la vaisselle, pages 19, 20.
Taches sur l'argenterie, les verres et la vaisselle.	<ol style="list-style-type: none"> 1. Des grilles mal chargées. 2. Température de l'eau de rinçage incorrecte. 3. Perte de pression d'eau due à l'obstruction de la pompe. ▲ AVERTISSEMENT : Débranchez l'alimentation électrique (du lave-vaisselle et du surpresseur, le cas échéant) et videz le réservoir. Vérifiez qu'il n'y a pas d'obstruction à l'entrée de la pompe. 4. Eau excessivement dure. 5. Détergent inadapté au type d'eau. 6. Additif de rinçage incorrect pour le type d'eau. 7. Concentration incorrecte du détergent, de l'additif de rinçage et/ou de l'agent assainissant. 8. Salissures excessives; frottez les plats avant le cycle. Assurez-vous que la cuve de lavage est vidée et nettoyée comme il se doit.
Vapeur ou vapeur d'eau excessive après la fin du cycle – Modèles AM16VL-BASX et AM16VLT-BASX uniquement.	<ol style="list-style-type: none"> 1. L'eau froide entrante est trop chaude. Contactez le service après-vente de Hobart pour régler la durée du cycle de condensation.
Rinçage inadéquat ou température trop basse de l'eau de rinçage.	<ol style="list-style-type: none"> 1. Dépôts minéraux excessifs dans le système de lavage et de rinçage. Un détartrage peut être nécessaire, voir page 29. 2. Pour les machines chaudes avec ventilation, la température de l'eau entrant dans le surpresseur doit être inférieure à 43 °C/110 °F. Pour les machines sans ventilation, la température de l'eau entrant dans la machine doit être inférieure à 13 °C/55 °F. La machine prolongera automatiquement le temps de lavage jusqu'à ce que le surpresseur se réchauffe. 3. Assurez-vous que les bras de rinçage tournent librement.

ANOMALIE	CAUSE ÉVENTUELLE
Une vanne qui fuit.	<ol style="list-style-type: none"> 1. Si le raccord du tuyau à la vanne fuit, vérifiez le joint du tuyau pour vous assurer qu'il est bien en place et qu'il n'est ni usé ni coupé. 2. Si l'électrovanne fonctionne mal (fuites, absence d'ouverture ou de fermeture), contactez le service de Hobart.
Faible ou pas de chauffage du réservoir de lavage.	<ol style="list-style-type: none"> 1. Veillez à ce que le niveau d'eau soit suffisant dans le réservoir. 2. Assurez-vous que l'élément chauffant est propre et exempt de calcaire excessif.
Pas de remplissage ou remplissage lent.	<p>Remarque : Le temps de remplissage peut atteindre 25 minutes.</p> <ol style="list-style-type: none"> 1. L'alimentation en eau est peut-être coupée; vérifiez que la vanne d'alimentation en eau chaude est ouverte. 2. Le filtre est sale au niveau du raccord du tuyau de remplissage, ce qui réduit le débit d'eau. Coupez l'alimentation en eau chaude, retirez le tuyau de remplissage et nettoyez le filtre. Remontez le tout.
Les produits chimiques ne sont pas distribués (sur les machines équipées de pompes chimiques de Hobart).	<ol style="list-style-type: none"> 1. Assurez-vous que les bouteilles de produits chimiques sont pleines. 2. Assurez-vous que les bouchons des bouteilles de produits chimiques sont bien fixés. 3. Inspectez les tuyaux et assurez-vous qu'ils sont bien fixés aux bouchons des bouteilles. 4. Vérifiez que les tuyaux ne sont pas tordus ni entortillés. 5. Vérifiez que le tuyau vertical d'évacuation et les tuyaux sont bien insérés dans la bouteille de produit chimique. 6. Amorcez manuellement les produits chimiques. En cas d'échec, contactez le service de Hobart.

SERVICE

PIÈCES CONSOMMABLES DE L'AM16X

Les pièces du lave-vaisselle AM16X ci-dessous sont consommables par nature et peuvent ne pas être couvertes par la garantie de Hobart. Pour consulter la garantie produit de Hobart, reportez-vous à <https://www.hobartservice.com/service-plans/hobart-product-warranty>.

LISTE DES PIÈCES CONSOMMABLES DE L'AM16X

Numéro de pièce	Description	Qté.	Type de machine
00-918049	Bouchon du bras de lavage	2	Tous
00-893834	Joint, couvercle supérieur, grand AM	3	Grand
00-975055	Moyeu, bras de lavage	2	Tous
00-886610	Trousse, bouchon de bras de lavage	1	Tous
00-562078	Bague de retenue	2	Tous
00-13156-00001	Collier de serrage (tuyau à ressort)	AR	SCBX / VLSCBX
00-949651-00001	Trousse de tube de compression, pompe chimique (agent assainissant, produit de rinçage, détergent) (avec colliers de serrage)	3	SCBX / VLSCBX
00-185105-00002	Tuyau, rouge, 3,7 m (144 po), 0,6 cm (1/4 po)	1	SCBX / VLSCBX
00-185105-00006	Tuyau, bleu, 3,7 m (144 po), 0,6 cm (1/4 po)	1	SCBX / VLSCBX
00-185105-00004	Tuyau, transparent, 3,7 m (144 po), 0,6 cm (1/4 po)	1	SCBX / VLSCBX
00-185105-00013	Tuyau, transparent, 15 cm (6 po)	2	SCBX / VLSCBX
00-185105-00024	Tuyau, transparent, 1,68 m (66 po)	1	SCBX / VLSCBX
00-562915	Trousse, bouchon chimique de remplacement	1	SCBX / VLSCBX
00-975024	Assemblage, filtre d'aspiration	AR	SCBX / VLSCBX
00-185111-00001	Collier de serrage No 2	AR	SCBX / VLSCBX
00-463293	Tube, vue	1	Grand
00-185111-00002	Collier de serrage, tuyau 7/16	AR	Grand
00-474800	Grille à 6 compartiments	AR	Grand
00-315191	Grille égouttoir	AR	Tous
00-315193	Grille combinée	AR	Tous

Contactez votre bureau local de service agréé de Hobart pour toute réparation ou tout réglage nécessaire sur cet équipement. Des contrats de service à long terme sont disponibles pour cet appareil et d'autres produits de Hobart. Appelez le 1-888-4HOBART pour un service de Hobart 24 heures sur 24.

INSTRUCTIONS
MODELS
INSTRUCTIONS
EMPLOIS
INSTRUCCIONES

LAVAVAJILLAS AM16X



MODELOS

AM16 - BASX
AM16T - BASX

AM16VL - BASX
AM16VLT - BASX

AM16SCBX

AM16VLSCBX



701 S. RIDGE AVENUE
TROY, OHIO 45374-0001

937 332-3000

www.hobartcorp.com

FORM 41173 (Junio 2022)

Modelo AM16-BASX



Modelo AM16T-BASX



Modelo AM16VL-BASX



Modelo AM16VLT-BASX



Modelo AM16SCBX



ÍNDICE

GENERAL	4
INSTALACIÓN	5
Desembalaje	5
Códigos de instalación	5
Ubicación	6
Instalación en esquina	7
Conexiones de las tuberías	8
Requisitos del agua	8
Conexión del suministro de agua	9
Conexión del desagüe	10
Requisitos de ventilación	10
Cálculo del flujo de los gases de escape	10
Tabla A: Disipación de calor	11
Conexiones eléctricas	12
Ajuste del voltaje (sólo máquinas de 380 a 415 voltios)	13
Rotación del motor (sólo máquinas de 480 voltios y 50 hertzios)	14
Conexiones de equipos	14
Control del ventilador de la ventilación	14
Instalación del dispensador de detergente, abrillantador y desinfectante suministrado por Hobart	14
Programación de la bomba de productos químicos (para máquinas equipadas con bombas de productos químicos de Hobart)	14
Cebado de bomba de productos químicos	15
Pruebas de desinfección (máquinas de desinfección química)	15
Dispensadores de detergente y abrillantador (para máquinas con bombas químicas suministradas por terceros)	16
Instalación de las tuberías	16
Dispensador de detergente	16
Dispensador de abrillantador	16
Dispensadores de detergente, abrillantador y desinfectante - conexiones de equipos	17
Dispensador de detergente	17
Dispensador de abrillantador	18
FUNCIONAMIENTO	19
Preparación	19
Lavado	20
Tiempo de condensación recomendado (basado en la temperatura del agua entrante)	21
LIMPIEZA	23
Qué hacer y qué no hacer con su lavavajillas nuevo de Hobart	23
PROGRAMACIÓN	25
Menú administrador	25
Parámetros del menú administrador	25
MANTENIMIENTO	29
Brazos de lavado	29
Motor(es)	29
Bombas de productos químicos	29
Instrucciones para eliminar el sarro	29
Bloqueo de la eliminación de sarro	30
Límite del ciclo de bloqueo de eliminación de sarro	30
Limpieza de deflectores en el modelo AM16VLT-BASX	30
SOLUCIÓN DE PROBLEMAS	32
Mensajes de diagnóstico / error	32
Módulo de comunicación	35
SERVICIO	37
Piezas fungibles del AM16X	37

Instalación, funcionamiento y cuidado del LAVAVAJILLAS AM16X

GUARDE ESTAS INSTRUCCIONES

GENERAL

Todos los modelos AM16X se envían de fábrica para una configuración recta y pueden convertirse fácilmente en una operación de esquina.

Los lavavajillas AM16-BASX, AM16T-BASX, AM16VL-BASX y AM16VLT-BASX están diseñados para funcionar únicamente en modo de desinfección con agua caliente. Designado por los requisitos de temperatura de la NSF de 65,5 °C (150 °F) de lavado y 82,2 °C (180 °F) de enjuague. Estas temperaturas se encuentran en la etiqueta situada bajo los controles en la parte inferior de la máquina.

Los lavavajillas AM16SCBX, AM16VLSCBX están diseñados para funcionar únicamente en modo de desinfección química. Designado por los requisitos de temperatura de la NSF de 49 °C (120 °F) de lavado y 49 °C (120 °F) de enjuague. Estas temperaturas se encuentran en la etiqueta situada bajo los controles en la parte inferior de la máquina.

El número de serie se encuentra en la etiqueta de datos de la máquina situada en la parte inferior de la esquina delantera derecha de la máquina.

Las bombas de productos químicos suministradas por Hobart se suministran de forma estándar con todos los modelos AM16SCBX y AM16VL-SCBX. Las bombas de productos químicos están disponibles como un kit de accesorios (instalados en el lugar) para todos los demás modelos o póngase en contacto con su representante de productos químicos para un sistema de alimentación de productos químicos para ser suministrado e instalado por terceros.

El motor de la bomba de lavado tiene una potencia nominal de 2 caballos de fuerza y cuenta con protección térmica contra sobrecargas.

La línea de llenado incluye un espacio de aire en todos los modelos para evitar cualquier flujo inverso de agua del lavavajillas al suministro de agua potable. La unidad, una vez encendida, llena el tanque de lavado hasta el nivel adecuado y deja de llenarlo automáticamente una vez alcanzado el nivel. Un transductor de presión lee el nivel de agua en el tanque de lavado y corta el suministro de calor si el nivel de agua es demasiado bajo. Cuando el agua vuelve al nivel adecuado, el circuito de calefacción vuelve a funcionar.

El desagüe automático y el sistema de enjuague con bomba son estándar en todos los modelos.

Todos los modelos de desinfección de agua caliente están equipados con un sobrecalentador de agua eléctrico de 7,1 kW montado en la estructura. El sobrecalentador de agua está diseñado para mantener una temperatura mínima de enjuague final de 82,2 °C (180 °F) siempre que el agua entrante sea de al menos 43,3 °C (110 °F). Para los modelos sin ventilación AM16VL-BASX y AM16VLT-BASX, el sobrecalentador de agua está diseñado para mantener una temperatura mínima de enjuague final de 82,2 °C (180 °F) con agua fría entrante de al menos 12,8 °C (55 °F).

Los modelos AM16SCBX y AM16VLSCBX se suministran con un sobrecalentador de agua eléctrico de 4,3 kW. El sobrecalentador de agua está diseñado para mantener una temperatura mínima de enjuague final de 49 °C (120 °F) siempre que el agua entrante sea de al menos 32,2 °C (90 °F) (se recomiendan 49 °C (120 °F)).

Los modelos sin ventilación AM16VL-BASX, AM16VLT-BASX y AM16VLSCBX no requieren una campana de ventilación. Utilizan un sistema de condensación interno para minimizar el vapor de agua que se escapa de la unidad durante la carga y la descarga. Los modelos de alta temperatura AM16- BASX y AM16T-BASX suelen requerir una campana o ventilación sobre el lavavajillas para cumplir con los códigos locales. Las máquinas de desinfección con químicos o los lavavajillas de calor eléctrico de bajo consumo pueden no requerir la ventilación individual de la máquina si el local está ampliamente ventilado. Consulte las páginas 10 - 11 para conocer los requisitos de ventilación y de la campana. Verifique con los funcionarios del código local para la determinación final.

INSTALACIÓN

DESEMBALAJE

Inmediatamente después de desembalar el lavavajillas, verifique si hay posibles daños debido a la transportación. Si detecta alguno, guarde el material de embalaje y comuníquese con el transportista dentro de los 5 días siguientes al despacho.

NOTA: Tenga cuidado al utilizar un montacargas para retirar la máquina de la tarima. NO utilice el asa de elevación de la puerta para mover la máquina, ya que causará problemas de elevación de la puerta.

Antes de instalar, verifique que el servicio eléctrico coincida con las especificaciones de la placa de datos de la máquina. La placa de datos del lavavajillas se encuentra en la esquina inferior derecha de la máquina.

CÓDIGOS DE INSTALACIÓN

La instalación debe realizarse de acuerdo con los códigos estatales y locales y el Código Eléctrico Nacional ANSI/NFPA70 (última edición). En Canadá, el código de instalación es el CSA 22.1 (última edición).

UBICACIÓN

Antes de finalizar la ubicación, asegúrese de que se haya tenido en cuenta el conducto eléctrico, el suministro de agua, la conexión del desagüe, la ventilación (si es aplicable), la tabulación (si es aplicable), el llenado del alimentador de productos químicos (si es aplicable) y el espacio libre adecuado para abrir la puerta.

El lavavajillas debe estar nivelado antes de realizar cualquier conexión. Gire las patas roscadas (Fig. 1) según sea necesario para nivelar la máquina y ajustarla a la altura deseada.

El borde de la mesa de la vajilla que sobresale del tanque de lavado AM16 debe girarse hacia abajo y colocarse sobre la parte superior del tanque del lavavajillas (Fig. 2). Aplique un sellador aprobado por la NSF entre el saliente de la mesa de lavado y la pared interior del tanque de lavado para evitar fugas (Fig. 2). Fije las mesas de platos a la pared interior del tanque de lavado con tornillos de cabeza de cercha o remaches no oxidables (Fig. 2).

Para las instalaciones rectas, se debe proporcionar un espacio libre de 76 cm (30 in) en la parte delantera y 51 cm (20 in) en el lado derecho por 75 cm (29-1/2 in) de espacio libre sobre el piso terminado para el servicio.

NOTA: Para las unidades de 480 voltios, se requiere un espacio libre de 50,8 cm (20 in) en el lado izquierdo.

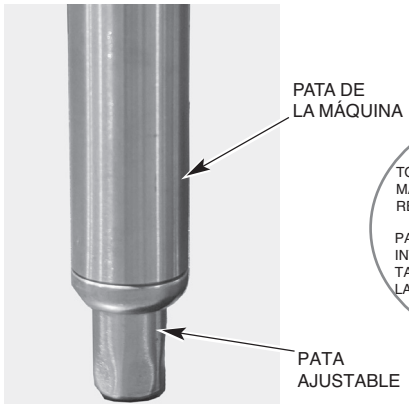


Fig. 1

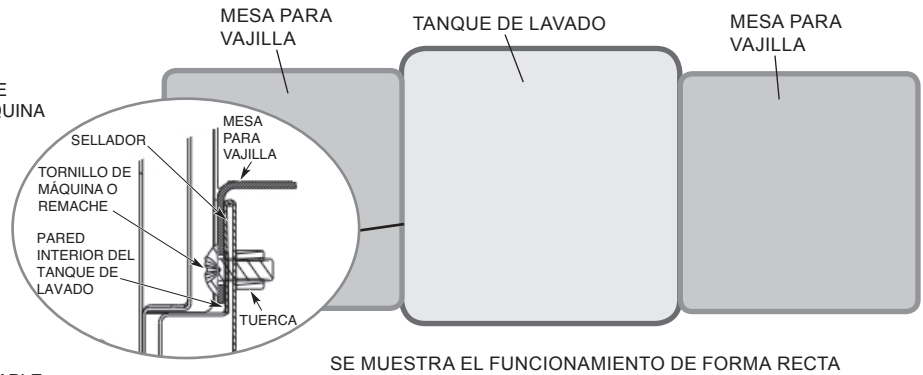


Fig. 2

Según el diseño de la mesa para vajillas, puede ser necesario ajustar o retirar los soportes de la mesa trasera (Fig. 3). Afloje los dos tornillos y tuercas y ajuste o retire según sea necesario.



Fig. 3

INSTALACIÓN EN ESQUINA

Antes de colocar el lavavajillas en su lugar de funcionamiento, compruebe la configuración de la máquina. Si la máquina se instala en una esquina (Fig. 4, 5), deben dejarse espacios libres de 76 cm (30 in) fuera del lavavajillas bajo la tabulación izquierda por 75 cm (29-1/2 in) sobre el piso terminado y 38 cm (15 in) fuera del lavavajillas en el lado derecho por 75 cm (29-1/2 in) sobre el piso terminado para el servicio. Para la instalación correcta de una máquina de esquina, el control y la pantalla deben colocarse en la esquina delantera para el acceso del operador (Fig. 5).

Para las instalaciones en esquina, vuelva a colocar la guía de la cesta en el lado izquierdo del carril de la cesta siguiendo el siguiente procedimiento (Fig. 6).

1. Retire las dos tuercas y los tornillos que fijan la guía de la cesta delantera al riel de la cesta y retire la guía de la cesta.
2. Coloque la guía de la cesta en el lado izquierdo del riel de la cesta alineando los orificios de la guía de la cesta con los espaciadores del riel de la cesta.
3. Asegúrelo con los herrajes retirados en el paso 1. Nota: Las tuercas deben instalarse en el interior del riel de la cesta.

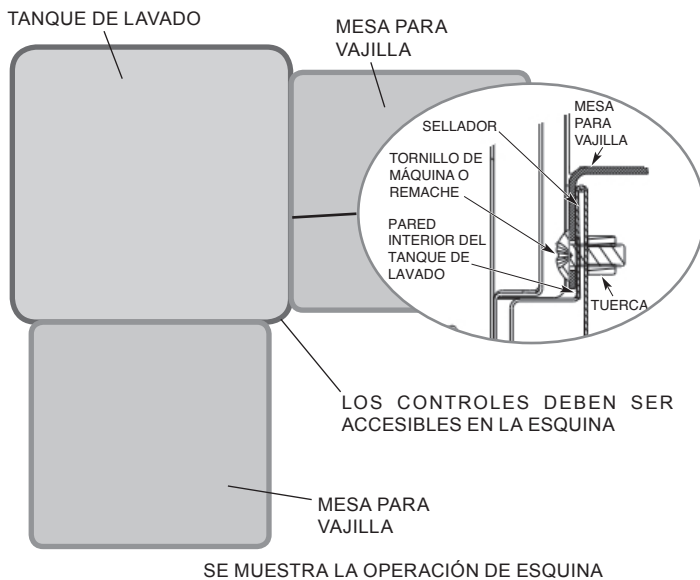


Fig. 4

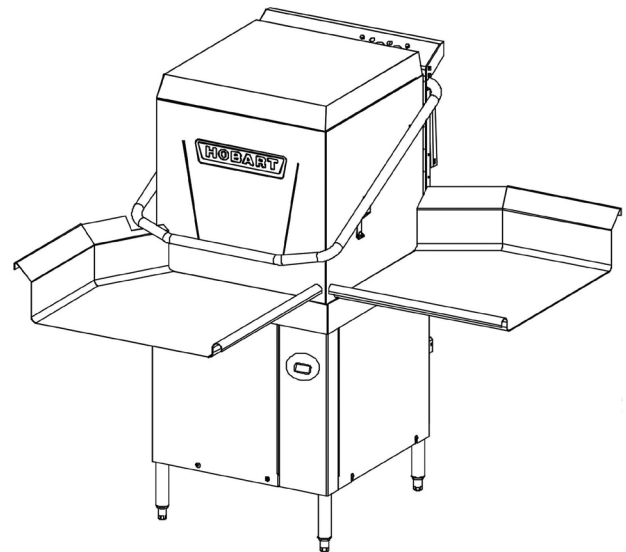
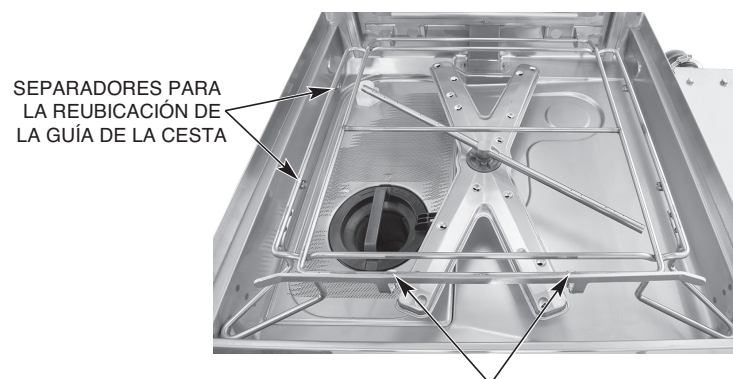


Fig. 5

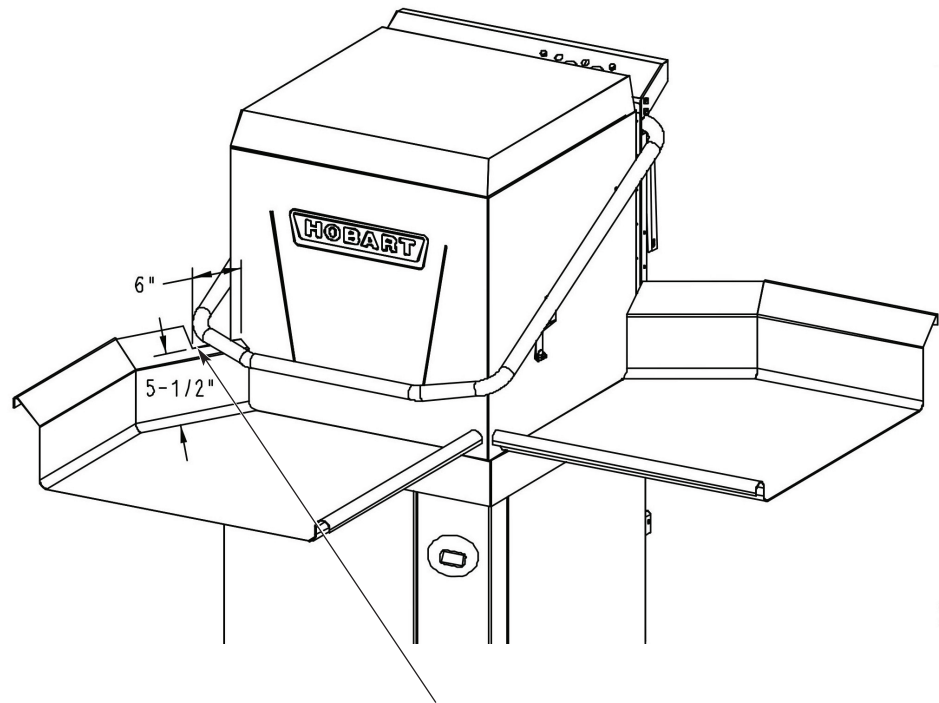


RETIRE (2) TUERCAS Y TORNILLOS (retire (2) tuercas y tornillos)

Fig. 6

Hay un kit de protección disponible contra salpicaduras (con costo adicional) para las instalaciones en las esquinas para evitar las salpicaduras excesivas en la pared. Pida el accesorio CORNER-INST-AM16 o el kit de servicio número de pieza 00-562156-00001. Para la instalación, consulte las instrucciones de instalación 0F-45885 suministradas con el kit.

En el caso de las instalaciones en las esquinas, las mesas con salpicaderos de más de 14 cm (5-1/2 in) de altura requieren que se proporcione una muesca para evitar la interferencia con el asa de la puerta (Fig. 7).



SE DEBE AÑADIR UNA MUESCA A LOS SALPICADEROS DE MÁS DE 14 CM (5-1/2 IN) DE ALTURA EN LAS MÁQUINAS DE ESQUINA PARA EVITAR LA INTERFERENCIA CON EL ASA DE LA PUERTA. LA MUESCA DEBE SOBRESALIR 15 CM (6 IN) DE LA CARA DE LA MÁQUINA.

Fig. 7

CONEXIONES DE LAS TUBERÍAS

⚠ ADVERTENCIA Las conexiones de plomería deben cumplir con las normas sanitarias y de seguridad aplicables y los códigos de plomería.

Requisitos del agua

Una calidad de agua adecuada puede mejorar el rendimiento del lavado de la vajilla reduciendo las manchas, aumentando la eficacia de la mano de obra y prolongando la vida útil del equipo. Las condiciones del agua varían de un lugar a otro. El tratamiento adecuado del agua recomendado para un uso eficaz y eficiente de este equipo también variará en función de las condiciones locales del agua. Solicite a su proveedor de agua municipal detalles sobre las condiciones locales del agua antes de la instalación.

La dureza del agua recomendada es de 3 granos de dureza por galón o menos. Una mayor dureza puede provocar una formación excesiva de depósito de sarro. La dureza del agua superior a 3 granos por galón requiere un tratamiento del agua. Se ha demostrado que el tratamiento del agua reduce los costos asociados a la limpieza de la máquina, reduce el sarro del lavavajillas y reduce el uso de detergente en el lavavajillas. El nivel de cloro no debe superar las 50 ppm.

NOTA: Los niveles altos de hierro en el suministro de agua pueden causar manchas y pueden requerir un filtro para el hierro. Los altos niveles de cloro en el suministro de agua pueden causar corrosión por picaduras y pueden requerir un sistema de eliminación de cloro. Póngase en contacto con su profesional local de tratamiento de agua para el tratamiento adecuado del agua.

Los sedimentos pueden requerir un filtro de partículas. Los sólidos disueltos pueden requerir un tratamiento del agua, como un ablandador de agua, un sistema de ósmosis inversa, etc. Póngase en contacto con su profesional de tratamiento de agua local para el tratamiento adecuado del agua.

Si una inspección del lavavajillas o del sobrecalentador revela una acumulación de sarro después de que el equipo haya estado en servicio, se recomienda el tratamiento del agua. Si ya hay un ablandador de agua, asegúrese de que haya un nivel suficiente de sal. Póngase en contacto con su oficina de servicio Hobart para obtener recomendaciones específicas.

Conexión del suministro de agua

El plomero que conecte esta máquina es responsable de asegurarse de que las líneas de agua se LIMPIAN BIEN ANTES de conectarlas al lavavajillas. Este "lavado" es necesario para eliminar todas las materias extrañas, como las virutas (resultantes del corte o el roscado de las tuberías), el compuesto para juntas de las tuberías o, si se utilizan accesorios soldados, los trozos de soldadura o los recortes de la tubería. Los residuos, si no se eliminan, pueden alojarse en los componentes de plomería del lavavajillas y hacerlos inoperantes. Las válvulas manuales o las electroválvulas obstruidas por materias extrañas y cualquier gasto derivado de esta obstrucción NO son responsabilidad del fabricante y los costos de reparación asociados no están cubiertos por la garantía.

Los requisitos de suministro de agua son los siguientes:

REQUISITOS DEL SUMINISTRO DE AGUA

Modelo	Modo de desinfección	Conexión	Suministro de agua		
			Mínimo	Máximo	Recomendado
AM16-BAS AM16T-BAS	Desinfección con agua caliente	Agua caliente	43 °C (110 °F)	NA	60 °C (140 °F)
AM16VL-BASX AM16VLT-BASX	Desinfección con agua caliente	Agua fría	12,8 °C (55 °F)	32 °C (90 °F)	18 °C (65 °F)
AM16SCBX	Desinfección por productos químicos	Agua caliente	32°C (90 °F)	NA	49 °C (120 °F)
AM16VLSCBX	Desinfección por productos químicos	Agua caliente	32°C (90°F)	NA	49 °C (120 °F)
		Agua fría	12,8°C (55°F)	32 °C (90 °F)	18 °C (65 °F)

Los modelos AM16VLSCBX requieren un suministro de agua fría y otro de agua caliente.

NOTA: En las instalaciones AM16VL-BASX y AM16VLT-BASX, el suministro de agua fría no debe superar los 32 °C (90 °F) para un funcionamiento correcto. Los resultados óptimos se obtienen cuando la temperatura del suministro de agua fría es inferior a 18 °C (65 °F). Para obtener los mejores resultados, puede ser necesario utilizar una tubería de 1/2 pulgada para el tamaño de la tubería de agua fría y minimizar la distancia entre el lavavajillas y la entrada al edificio. El aislamiento de las tuberías también mejorará los resultados.

Si la temperatura del suministro de agua fría es constantemente superior a 32 °C (90 °F) o si entra un exceso de vapor de agua o vapor en el compartimiento de la vajilla después de que el ciclo de condensación se haya completado, póngase en contacto con el servicio técnico de Hobart para aumentar el tiempo de condensación.

La presión del agua que entra al lavavajillas es de 15 a 65 PSIG. Si hay presiones de flujo superiores a 65 PSIG, debe instalarse una válvula reguladora de presión en la línea de agua que va al lavavajillas (por terceros). Si la presión de flujo es inferior a 15 psi, puede producirse un funcionamiento incorrecto de la máquina. Todos los modelos AM16X están equipados con un sistema de enjuague por bombeo; por lo tanto, no se requiere un manómetro de agua y no se suministra con la máquina.

NOTA: El regulador de presión de agua debe tener un baipás de alivio. Si no se utiliza el tipo de regulador de presión adecuado, se puede dañar la unidad.

Debe instalarse una válvula de cierre manual (no suministrada) antes de la manguera de llenado para facilitar el mantenimiento de la máquina. Se recomienda instalar un filtro de línea (no suministrado) en la línea de suministro entre la válvula de cierre manual (no suministrada) y el punto de conexión en la máquina.

Todas las máquinas se envían de forma estándar con una manguera de llenado trenzada de acero inoxidable de 244 cm (96 in) de longitud con un accesorio de manguera de jardín hembra de 3/4 pulgada. Se envía una segunda manguera de llenado para las máquinas equipadas con conexiones de agua caliente y fría. Realice las conexiones de plomería con tuberías de cobre de 1/2 pulgada como mínimo (se recomienda 3/4 pulgada), con un accesorio de manguera de jardín macho de 3/4 pulgada (no suministrado).

Conexión del desagüe

Con la máquina se suministra una manguera de drenaje de 5/8 in de diámetro interior y 1,8 m (6 pies) de longitud. Esta debe estar bien conectado a un desagüe. Tenga cuidado de no doblar la manguera. El desagüe debe tener una capacidad de flujo mínima de 70 l (18,5 galones) por minuto. La altura de la manguera de desagüe no puede superar los 100 cm (40 in) sobre el suelo acabado.

Si el código exige una trampa de grasa, debe tener una capacidad de flujo mínima de 70 l (18,5 galones) por minuto.

Para los modelos -BASX y VL-BASX, el kit de entrehierro con bomba está disponible a través de ventas utilizando el código de accesorio PUMPDRN-AIRGAP o el kit de servicio número de pieza 00-562492.

REQUISITOS DE VENTILACIÓN

NOTA: Cualquier campana extractora comercial listada y etiquetada de fábrica, probada de acuerdo con la norma UL 710 por un laboratorio de pruebas reconocido a nivel nacional, debe ser instalada de acuerdo con los términos de su listado y las instrucciones de instalación del fabricante.

Cálculo del flujo de los gases de escape

Basado en el Código mecánico internacional 2018.

El flujo de aire neto mínimo para las campanas de tipo II utilizadas para los aparatos de lavado de vajilla será de 100 cfm por pie lineal de longitud de la campana. La cantidad neta de aire de escape se calculará restando cualquier flujo de aire suministrado directamente a una cavidad de la campana del caudal total de escape de una campana.

Los modelos sin ventilación AM16VL-BASX, AM16VLT-BASX y AM16VLSCBX no requieren una campana de ventilación de Tipo II. Según 507,3 del IMC del 2018, las campanas de tipo II no son necesarias cuando la carga de calor y humedad se integra al diseño del sistema de climatización. Refiérase a la Tabla A para la disipación de calor o la ganancia de calor al espacio.

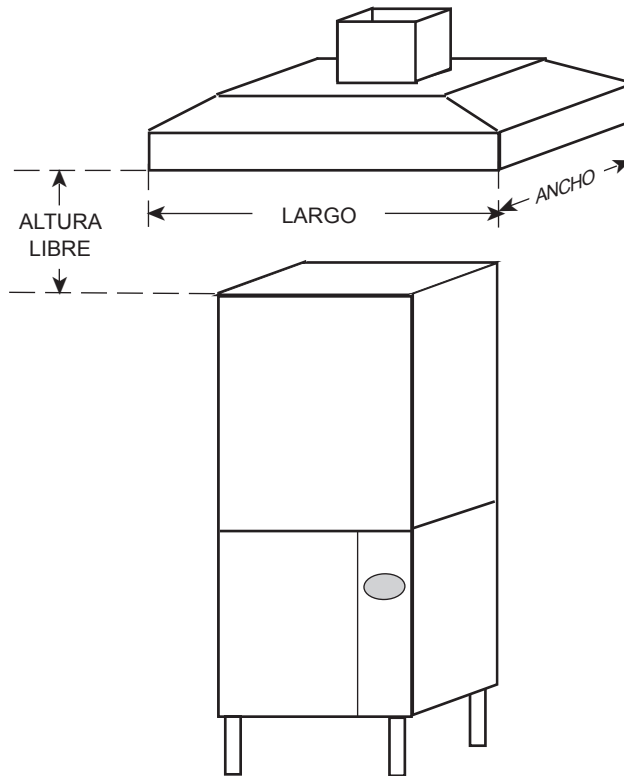


Fig. 8

TABLA A: DISIPACIÓN DE CALOR

	Modelo	Calefacción eléctrica	Sobrecalentador eléctrico	Calor latente (BTU/HR)	Calor sensible (BTU/HR)
Desinfección con agua caliente	AM16-BASX	X	X	7800	4000
	AM16T-BASX	X	X	12300	5700
	AM16VL-BASX	X	X	4300	3500
	AM16VLT-BASX	X	X	6800	5000
Desinfección por productos químicos	AM16SCBX	X	X	3570	6700
	AM16VLSCBX	X	X	3600	4200

- Suposiciones:
1. Las máquinas funcionan al 70% cada hora mientras están en uso.
 2. Los valores indicados son el calor que entra en el local.
 3. El 70% de la producción de calor es latente, el 30% es sensible.

CONEXIONES ELÉCTRICAS

⚠ ADVERTENCIA Las conexiones eléctricas y las que van a tierra deben cumplir con las secciones correspondientes del Código Nacional de Electricidad NFPA 70 (en su última edición) o con la normativa eléctrica local.

⚠ ADVERTENCIA Desconecte la energía eléctrica de la máquina (tanto del lavavajillas como del sobrecalentador, si es aplicable) y siga los procedimientos de bloqueo/ etiquetado. Asegúrese de que todos los circuitos están desconectados.

Consulte el diagrama de cableado adjunto en el interior del panel embellecedor derecho y la placa de datos de la máquina para conocer los requisitos de tamaño de servicio al conectar el lavavajillas. Consulte también los datos eléctricos que se muestran a continuación.

Para acceder a la zona de controles, retire el panel lateral derecho y abra la puerta del panel de control. La conexión del servicio eléctrico del lavavajillas se puede realizar en el agujero ciego de 1,9 cm (3/4 in) o 2,5 cm (1 in) situado en el lado derecho de la parte trasera de la máquina.

DATOS ELÉCTRICOS

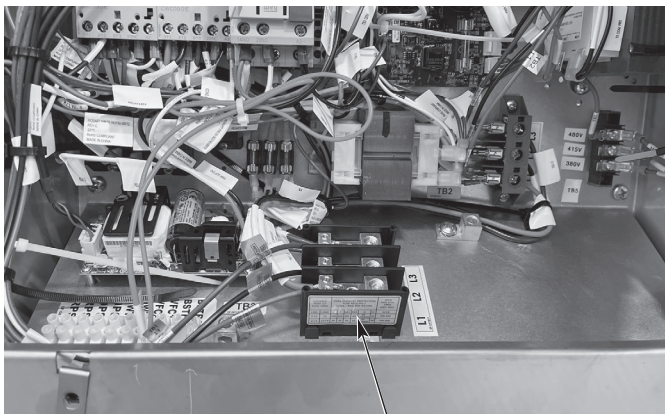
Modelos	Voltios / Hz / Fase	Calentamiento del tanque	Ampacidad mínima del circuito Dispositivo de protección máximo AMPS		
			TB1	TB2	Conexión eléctrica estándar de un solo punto lavavajillas y sobrecalentador (sólo trifásico)
AM16-BASX, AM16T-BASX, AM16VL-BASX, AM16VLT-BASX	208 - 240 / 60 / 1	Eléctrico	50	50	
	208 - 240 / 60 / 3	Eléctrico	30	30	60
AM16-BASX, AM16T-BASX, AM16VL-BASX, AM16VLT-BASX	480 / 60 / 3	Eléctrico	15	15	30
AM16-BASX, AM16T-BASX	200 - 240 / 50 / 3	Eléctrico	30	30	60
	380 - 415 / 50 / 3	Eléctrico	20	20	30
					Conexión eléctrica estándar de un solo punto con sobrecalentador eléctrico de 4,3 KW
AM16SCBX, AM16VLSCBX	208 / 240 / 60 / 1	Eléctrico			30 - 40 / 35 - 45

Creado de acuerdo con el código eléctrico nacional, NFPA 70 (última edición).

Debe instalarse un interruptor de desconexión con fusibles o un disyuntor (suministrado por el cliente) en la(s) línea(s) de servicio eléctrico que abastece(n) a este lavavajillas y debe cumplir con los requisitos de su código eléctrico local.

Todos los modelos AM16X, excepto los modelos AM16SCBX y AM16VLSCBX, se suministran de serie con una alimentación de tensión trifásica y una configuración eléctrica de un solo punto. El suministro eléctrico estándar de un solo punto se conecta al bloque de terminales TB1 en el área de controles (Fig. 9). La máquina debe estar conectada a tierra de acuerdo con los códigos eléctricos; se proporciona un terminal de conexión a tierra.

Los modelos AM16SCBX y AM16VLSCBX se suministran de serie con una alimentación de tensión monofásica y una configuración eléctrica de un solo punto. El suministro eléctrico estándar de un solo punto se conecta al bloque de terminales TB1 en el área de controles (Fig. 9). La máquina debe estar conectada a tierra de acuerdo con los códigos eléctricos; se proporciona un terminal de conexión a tierra.



BLOQUE DE TERMINALES TB1

Fig. 9

Para convertir un modelo AM16X a una configuración eléctrica de doble punto o para convertirlo de trifásico a monofásico, consulte las instrucciones F-45845 adjuntas en el interior del panel de revestimiento derecho de la máquina.

NOTA: Los modelos AM16SCBX y AM16VLSCBX no se pueden convertir en una configuración de doble punto. Estos modelos sólo pueden instalarse con una configuración de conexión eléctrica monofásica y de un solo punto.

Ajuste del voltaje (sólo máquinas de 380 a 415 voltios)

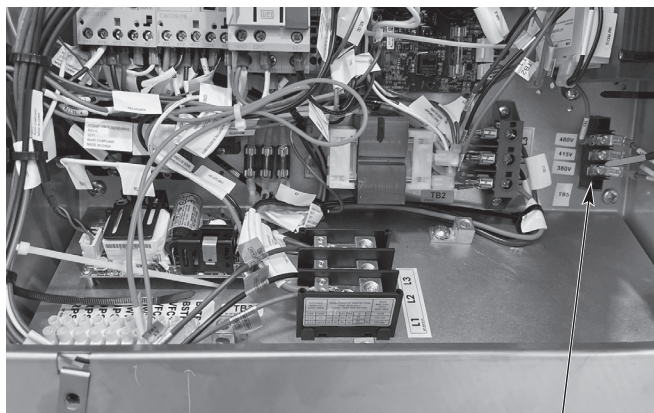
Este procedimiento de ajuste se aplica a todos los lavavajillas AM16X de 380 a 415 voltios, 50 Hz, trifásicos. Todos los demás voltajes del lavavajillas AM16X vienen preajustados de fábrica y no requieren este procedimiento de ajuste.

ESTE PROCEDIMIENTO DEBE SER REALIZADO ÚNICAMENTE POR UN ELECTRICISTA CUALIFICADO.

Si la tensión de alimentación de la máquina es de 415 voltios, no es necesario ningún cambio. El transformador del circuito de control [T2] debe estar ya ajustado para funcionar a 415 voltios.

Si la tensión de alimentación de la máquina es de 380 voltios, el transformador del circuito de control [T2] debe cambiarse para que funcione con 380 voltios. Para cambiar la toma, reubique el cable rojo en el bloque de terminales TB5 de la toma de 415 V a la toma de 380 V.

NOTA: El TB5 se encuentra en la placa base de los controles situada en la parte inferior derecha de la máquina (Fig. 10).



BLOQUE DE TERMINALES TB5

Fig. 10

Rotación del motor (sólo máquinas de 480 voltios y 50 hertzios)

Antes de poner la máquina en servicio, compruebe que el motor de la bomba de lavado gira correctamente observando su dirección. Si el motor de la bomba no gira en la dirección correcta, **DESCONECTE LA ALIMENTACIÓN ELÉCTRICA** e intercambie dos de los cables de alimentación entrantes. Vuelva a conectar la fuente de alimentación y verifique que el giro sea el correcto.

CONEXIONES DE EQUIPOS

⚠ ADVERTENCIA Las conexiones eléctricas y las que van a tierra deben cumplir con las secciones correspondientes del Código Nacional de Electricidad NFPA 70 (en su última edición) o con la normativa eléctrica local.

⚠ ADVERTENCIA Desconecte la energía eléctrica de la máquina (tanto del lavavajillas como del sobrecalentador, si es aplicable) y siga los procedimientos de bloqueo/etiquetado. Asegúrese de que todos los circuitos están desconectados.

Control del ventilador de la ventilación

La función de control del ventilador de la ventilación es estándar en todos los modelos AM16X con ventilación. El relé de control del ventilador de la ventilación sólo proporciona contactos de conmutación y no proporciona energía al motor del ventilador de ventilación. El valor nominal del relé de control del ventilador de la ventilación conectado a los terminales VFC1 y VFC2 es 1,5 amperios a la tensión de alimentación indicada en la placa. Cuando el lavavajillas está conectado al ventilador de ventilación, éste se enciende cuando el lavavajillas está encendido y se apaga cuando el lavavajillas está apagado.

INSTALACIÓN DEL DISPENSADOR DE DETERGENTE, ABRILLANTADOR Y DESINFECTANTE SUMINISTRADO POR HOBART

Todos los modelos AM16SCBX y AM16VLSCBX se envían de forma estándar con bombas para productos químicos. Las bombas para productos químicos están disponibles como un kit de accesorios para todos los demás modelos. Para máquinas de altura estándar, pida el código de accesorio de venta CHEMPUMP-STD-AM16X o la pieza de servicio # 00-563068-00004. Para las máquinas altas, pida el código de accesorio de venta CHEMPUMP-HTS-AM16X o la pieza de servicio # 00-563069-00005. Para las instrucciones de instalación del kit de accesorios de altura estándar, consulte F-45893. Para las instrucciones de instalación del kit de accesorios de altura para máquinas altas, consulte F-45904.

Programación de la bomba de productos químicos (para máquinas equipadas con bombas de productos químicos de Hobart)

El modo de dispensador de productos químicos viene preconfigurado de fábrica. Este procedimiento de ajuste es para verificar o alterar los ajustes si se requieren cambios en la dosificación de productos químicos para lograr las concentraciones adecuadas. Consulte la programación del 'Manager Menu' (menú administrador) [páginas 25 - 28] para ajustar la configuración de los productos químicos.

Cebado de bomba de productos químicos

Todas las máquinas equipadas con bombas de productos químicos Hobart se ceban automáticamente. Si se requiere un cebado manual, siga los siguientes pasos.

1. Enciende el lavavajillas. La pantalla muestra la pantalla de listo cuando se ha completado el ciclo de llenado.
2. Pulse el botón "Menu".
3. Con el símbolo '>' al lado de 'Manager Menu' (menú administrador), pulse el botón 'Enter'. Aparecerá la pantalla 'Enter Security Code' (Introducir código de seguridad).
4. El código de administrador por defecto es el 1001. Utilice los botones de flecha para cambiar el valor y presione el botón "Enter" para seleccionar el valor y pasar al siguiente dígito hasta introducir el código.
5. Después de pulsar 'Enter' para el último dígito, utilice la flecha hacia abajo y desplácese hasta que el símbolo '>' esté al lado de 'Prime Chem Pumps' (Cebado de bombas químicas). Presione Enter y 'Prime Chem Pumps' (Cebado de bombas químicas) se mostrará.
6. Si no se detecta una o varias sustancias químicas, se mostrará 'Replace' (Reemplazar) junto a lo(s) químico(s) correspondiente(s). Con el símbolo '>' al lado de 'Start Prime' (Inicio de cebado) y pulse el botón 'Enter'. Una vez pulsado el botón 'Enter', la(s) bomba(s) de productos químicos comenzará a cebarse durante 90 segundos o hasta que se detecte el producto químico. Si se detectan sustancias químicas, se mostrará 'Ok' junto a las sustancias químicas correspondientes.
7. Para salir del menú una vez detectados todos los productos químicos, con el símbolo '>' junto a 'Exit' (Salir), pulse el botón 'Enter'. Repita este procedimiento hasta que aparezca la pantalla 'Ready' (Listo).

Pruebas de desinfección (máquinas de desinfección química)

1. Coloque un recipiente para servir o un recipiente para mezclar boca abajo en una cesta y páselo por un ciclo.
2. Después del ciclo, sumerja una tira de prueba de desinfectante en el agua recogida en la superficie del recipiente.
3. Compare la tira de prueba con la escala de prueba suministrada con su kit de prueba (Fig. 11). Si el nivel de desinfectante está fuera de los límites (es decir, por debajo de 50 ppm o por encima de 100 ppm), ajuste la dosificación. Consulte la programación de la bomba de productos químicos (página 14), para obtener instrucciones de ajuste, o póngase en contacto con su proveedor de productos químicos.

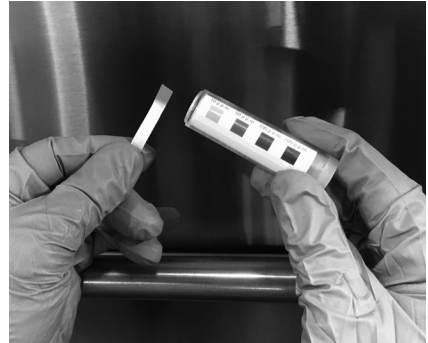


Fig. 11

DISPENSADORES DE DETERGENTE Y ABRILLANTADOR (PARA MÁQUINAS CON BOMBAS QUÍMICAS SUMINISTRADAS POR TERCEROS)

Instalación de las tuberías

Los dispensadores de detergente y abrillantador no suministrados por Hobart deben tener todas las conexiones selladas contra fugas.

Los lavavajillas de la serie AM16X utilizan 2,5 l (0,67 galones) de agua de enjuague por cesta a un caudal de 15,1 l (4,02 galones) por minuto. Esta información se utiliza al ajustar las bombas de detergente y abrillantador.

NOTA: Todos los modelos AM16X utilizan un sistema de enjuague por bombeo; no se requiere un manómetro.

Dispensador de detergente

El lavavajillas tiene tres agujeros taponados de 2,2 cm (7/8 in) de diámetro; dos en las paredes laterales superiores traseras del tanque (uno a la izquierda y otro a la derecha, Fig. 12) y uno en la parte frontal inferior del tanque (Fig. 13). Con el tanque vacío, retire los dos tapones para instalar el dispensador de detergente.

- Los agujeros superiores del tanque son para la instalación del tubo alimentador de detergente (utilice la ubicación del lado izquierdo o derecho).
- El agujero inferior del depósito se utiliza para la instalación del sensor de detergente.

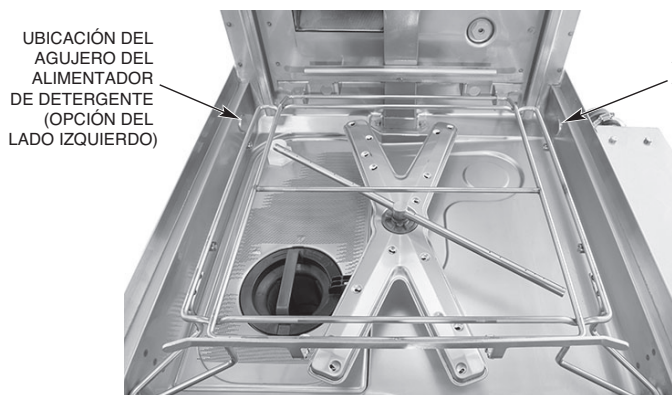


Fig. 12



Fig. 13

Dispensador de abrillantador

Retire el tapón NPT de 0,3 cm (1/8 in) (Fig. 14 para unidades de altura estándar, Fig. 15 para unidades altas) para la instalación del tubo dispensador del abrillantador.



Fig. 14



Fig. 15

DISPENSADORES DE DETERGENTE Y ABRILLANTADOR – CONEXIONES DE EQUIPOS

⚠ ADVERTENCIA Las conexiones eléctricas y las que van a tierra deben cumplir con las secciones correspondientes del Código Nacional de Electricidad NFPA 70 (en su última edición) o con la normativa eléctrica local.

⚠ ADVERTENCIA Desconecte la energía eléctrica de la máquina (tanto del lavavajillas como del sobrecalentador, si se aplica) y siga los procedimientos de bloqueo/etiquetado. Asegúrese de que todos los circuitos están desconectados.

Esta máquina debe funcionar con un alimentador automático de detergente que incluya un medio visual para verificar que se suministran los detergentes o una alarma visual o audible para señalar si los detergentes no están disponibles para su suministro a los respectivos sistemas de lavado y desinfección. Consulte la sección de instalación de este manual y los manuales de los equipos de alimentación de productos químicos.

Dispensador de detergente

Los terminales DPS1 y DPS2 (Fig. 16) se alimentan con la tensión de línea de la máquina controlada. Se encienden durante el ciclo de lavado y se apagan entre ciclos, cuando la máquina está en ciclo de eliminación de sarro o cuando la alimentación eléctrica de la máquina está apagada. **La capacidad máxima del dispensador de detergente conectado al DPS1 y al DPS2 es de 1,5 amperios a la tensión de línea.** Compruebe la tensión de alimentación de la máquina y utilice la tensión correspondiente del transformador de alimentación. Utilice un cable aislado de 600 voltios como mínimo para las conexiones. No utilice cable de campana, cable de lámpara o cable de tipo similar. Las conexiones de empalme, si son necesarias, deben realizarse en la caja de conexiones del transformador de alimentación (suministrada por terceros) - no en el recinto de los controles principales. Utilice el agujero de 2,2 cm (7/8 in) de diámetro situado en la esquina trasera derecha de la máquina para el accesorio de conducto de tamaño comercial de 1,3 cm (1/2 in). Retire el panel lateral derecho. Todos los cables deben estar provistos de accesorios de alivio de tensión.

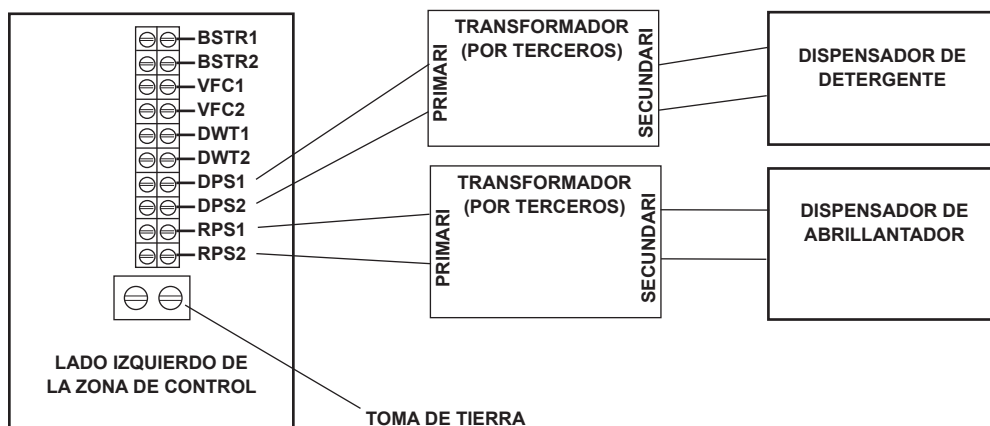


Fig. 16

Dispensador de abrillantador

Los bornes RPS1 y RPS2 (Fig. 16) se alimentan con la tensión de línea de la máquina controlada. Se encienden durante el ciclo de enjuague y se apagan entre ciclos, cuando la máquina está en el ciclo de eliminación de sarro o cuando la alimentación de la máquina está apagada. **La capacidad máxima del dispensador de abrillantador conectado a RPS1 y RPS2 es de 1,5 amperios a la tensión de línea.** Compruebe la tensión de alimentación de la máquina y utilice la tensión correspondiente del transformador de alimentación. Utilice un cable aislado de 600 voltios como mínimo para las conexiones. No utilice cable de campana, cable de lámpara o cable de tipo similar. Las conexiones de empalme, si son necesarias, deben realizarse en la caja de conexiones del transformador de alimentación (suministrada por terceros) - no en el recinto de los controles principales. Utilice el agujero de 2,2 cm (7/8 in) de diámetro situado en la esquina trasera derecha de la máquina para el accesorio de conducto de tamaño comercial de 1,3 cm (1/2 in). Todos los cables deben estar provistos de accesorios de alivio de tensión.

FUNCIONAMIENTO

PREPARACIÓN

El tubo debe estar en su ubicación correcta debajo del canasto colador (Fig. 17). Coloque la bandeja del colador y el canasto colador en su posición correcta (Fig. 18).



Fig. 17

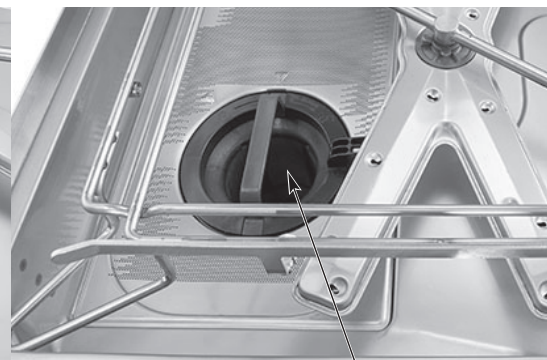


Fig. 18

NOTA: Al instalar el canasto colador, asegúrese de que el canasto esté en la posición de "bloqueo" (Fig. 19).



CANASTO COLADOR EN POSICIÓN DESBLOQUEADA



CANASTO COLADOR EN POSICIÓN BLOQUEADA

Fig. 19

Si la máquina no está equipada con las bombas químicas integradas de Hobart, se requiere un dispensador automático de detergente. Siga atentamente las instrucciones del proveedor.

Cierre la puerta. Pulse el botón POWER (Encendido) para encender (Fig. 20). Si la puerta de la máquina está cerrada y no hay agua en el depósito, el ciclo de llenado comenzará automáticamente. Si se detecta agua en el tanque, la máquina comprobará la temperatura del agua y si el agua está fría, la máquina vaciará el agua antes de llenarlo con agua fresca. Durante el ciclo de llenado, aparece la palabra FILL junto con la imagen de un grifo. A lo largo del ciclo de llenado, la máquina alternará entre el modo de llenado y un modo de precalentamiento. Durante el modo de precalentamiento, se muestra WARM UP junto con la imagen de un termómetro.

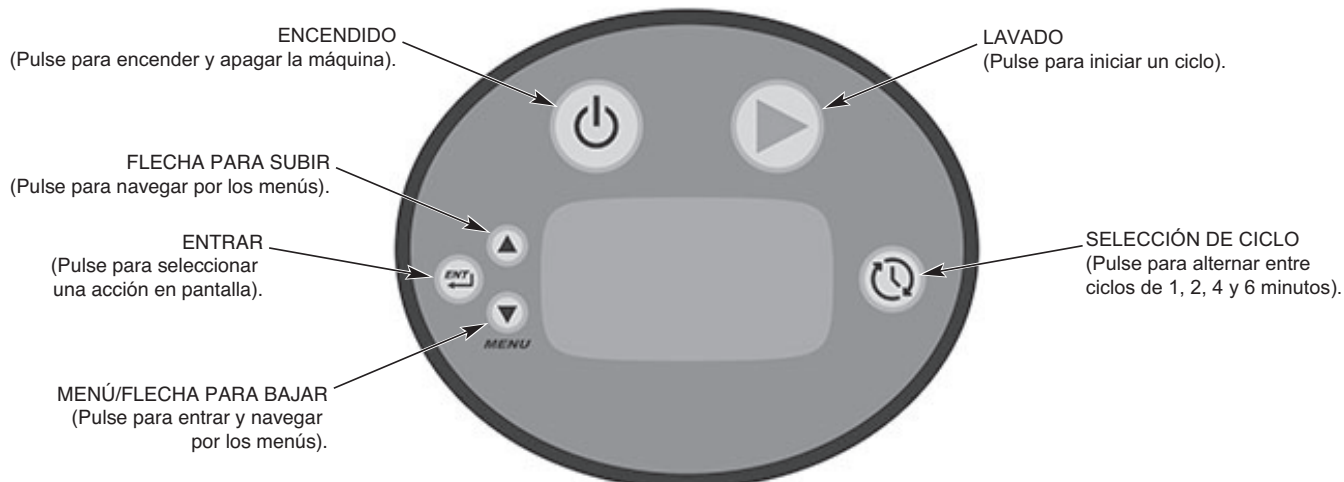


Fig. 20

NOTA: En las máquinas equipadas con la función de recuperación de energía, el proceso de llenado puede tardar hasta 20 minutos.

LAVADO

Raspe los platos para eliminar las partículas grandes de comida y los restos. No utilice nunca lana de acero en la vajilla que se va a cargar en el lavavajillas.

Coloque los platos en una cesta. No apile los platos uno encima del otro, ya que el agua debe tener libre acceso a todos los lados de cada plato. Coloque los platos y la vajilla de canto en una cesta con espigas (Fig. 21). Las tazas, los vasos y los cuencos deben estar invertidos en una cesta de tipo abierto o de tipo compartimentado (Fig. 21). Los cubiertos y otras piezas pequeñas pueden estar esparcidos de forma suelta por el fondo de una cesta de fondo plano.

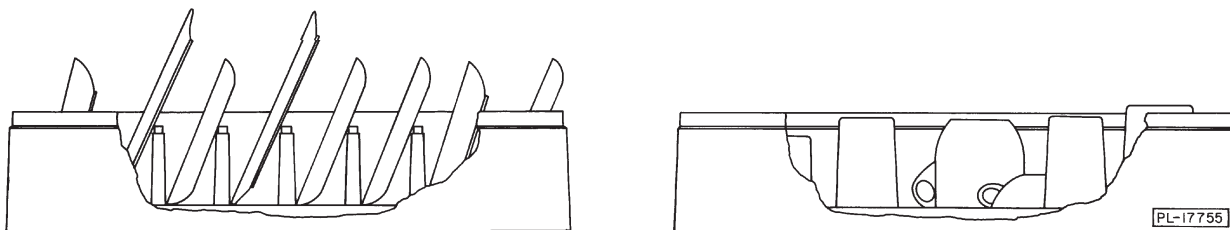


Fig. 21

No permita que ingresen a la unidad objetos extraños, especialmente contaminantes metálicos.

Seleccione el ciclo de lavado: 1 para la vajilla normal, 2, 4 o 6 para las ollas y sartenes.

Después de llenar una cesta, abra la puerta, introduzca la cesta en el lavavajillas y cierre la puerta.

A lo largo del ciclo de lavado, se muestra la temperatura del agua del tanque junto con la palabra WASH (Lavado). Durante el ciclo de enjuague, se muestra la temperatura del agua de enjuague, junto con la palabra RINSE (Enjuague) y un icono. Una vez finalizado el ciclo de enjuague, la pantalla muestra READY (Listo) y la temperatura del agua del tanque.

En los modelos sin ventilación, la puerta debe permanecer cerrada hasta que se complete el ciclo de condensación. Todos los modelos sin ventilación incluyen un bloqueo para evitar que la puerta se abra hasta que se complete el ciclo. Durante el ciclo de condensación se muestra un indicador de progreso de condensación. Si no se siguen estas instrucciones, se producirá un exceso de vapor y de agua en el compartimento de la vajilla.

Cuando la pantalla indique READY (Listo), abra la puerta, retire la vajilla limpia, introduzca otra cesta y cierre la puerta.

Este lavavajillas no debe abrirse hasta que se haya completado un ciclo, pero si hay que añadir un plato después de que haya comenzado el ciclo de lavado, abra la puerta lentamente, hasta que la bomba se detenga. Espere 10 segundos para permitir que el brazo de lavado baje por inercia y para evitar que el agua salpique antes de abrir la puerta por completo.

Las temperaturas de funcionamiento de todos los modelos son las siguientes:

Modo de desinfección	Temperatura de lavado Lavado mínimo	Temperatura de enjuague Enjuague mínimo
Agua caliente	66 °C (150 °F)	82 °C (180 °F)
Químico	49 °C (120 °F)	49 °C (120 °F)

Sólo para los modelos "VL" – Si sale una cantidad excesiva de vapor o vapor de agua de la máquina después de completar el ciclo y abrir la puerta, la temperatura del agua fría entrante puede ser demasiado alta. Póngase en contacto con el servicio técnico de Hobart para ajustar los tiempos de enjuague y condensación de acuerdo con la tabla de ajuste que se muestra a continuación. El aumento de la duración del ciclo aumentará el consumo de agua y disminuirá las cestas por hora, pero debería reducir el vapor de agua que entra en el recinto para la vajilla.

TIEMPO DE CONDENSACIÓN RECOMENDADO (basado en la temperatura del agua entrante)

AM16VL-BASX

Temperatura del agua entrante °F (°C)	Temps de condensation (s)	Tiempo de enjuague (seg.)	Cestas por hora Base sin ventilación (ciclo de 1 minuto)
60 (16)	20	10	45
80 (27)	33	11	38
85+ (29+)	36	12	36

AM16VLT-BASX

Temperatura del agua entrante °F (°C)	Tiempo de condensación (seg.)	Tiempo de enjuague (seg.)	Cestas por hora Base sin ventilación (ciclo de 1 minuto)
60 (16)	30	10	40
65 (18)	33	11	38
70 (21)	36	12	36
75 (24)	39	13	35
80 (27)	42	14	33
85+ (29+)	45	15	32

Sólo para los modelos AM16SCBX – El lavado no se iniciará si la temperatura del tanque de lavado no es de 49 °C (120 °F) o si la temperatura del sobrecalentador no es de 49 °C (120 °F). Durante este tiempo, se muestra HEATING (calentamiento) en la pantalla hasta que las temperaturas de lavado y enjuague alcancen los 49 °C (120 °F). Si la temperatura de enjuague final no alcanza los 49°C (120°F), aparecerá el mensaje "Rinse Temperature Too Low! Press Power Button To Start Draining" (¡Temperatura de enjuague demasiado baja! Pulse el botón de encendido para iniciar el vaciado) y la máquina permanecerá bloqueada hasta que se vacíe y rellene.

Si el suministro de desinfectante está vacío después de 3 ciclos, aparecerá el mensaje "SANITIZER SUPPLY EMPTY, Replace Sanitizer And Press Enter" (Suministro de desinfectante vacío, sustituya el desinfectante y pulse Enter) y la máquina quedará inoperable. Vuelva a colocar el suministro de desinfectante y pulse Enter para cebar. La bomba se ceba durante 90 segundos o hasta que se detecta el desinfectante. Si no se detecta ninguna sustancia química, vuelva a pulsar Enter.

Si el suministro de detergente está vacío después de 3 ciclos, se mostrará "DETERGENT SUPPLY EMPTY, Replace Detergent And Press Enter" (Suministro de detergente vacío, reemplace el detergente y presione Enter) y la máquina quedará inoperable. Vuelva a colocar el suministro de detergente y pulse Enter para cebar. La bomba se ceba durante 90 segundos o hasta que se detecta el detergente. Si no se detecta ninguna sustancia química, vuelva a pulsar Enter.

LIMPIEZA

La máquina se debe limpiar minuciosamente al terminar cada turno de trabajo o, al menos, diariamente. Nunca utilice lana de acero para limpiar las superficies del lavavajillas. Use solo productos formulados para proteger el acero inoxidable.

1. Pulse el botón de encendido para vaciar la máquina y apagarla.
2. Una vez que la pantalla se haya apagado, abra la puerta de la máquina.
3. Limpie bien y enjuague el interior del lavavajillas. Elimine los restos de suciedad con un paño suave o un cepillo y un limpiador suave. Enjuagar de nuevo.
4. Retire y vacíe el canasto colador, la bandeja y el tubo. Lave y enjuague bien.
5. Limpie el fondo del tanque. No permita que los restos de los alimentos se acumule en el fondo del tanque o que entre en el desagüe.
6. Asegúrese de que los brazos de lavado y enjuague superior e inferior (Figs. 22, 23) giren libremente y estén libres de cualquier obstrucción. Si no es así, retire los brazos y elimine cualquier obstrucción. Consulte la sección Mantenimiento, página 29.

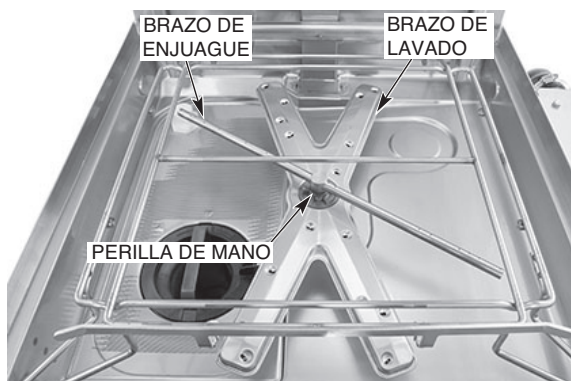


Fig. 22

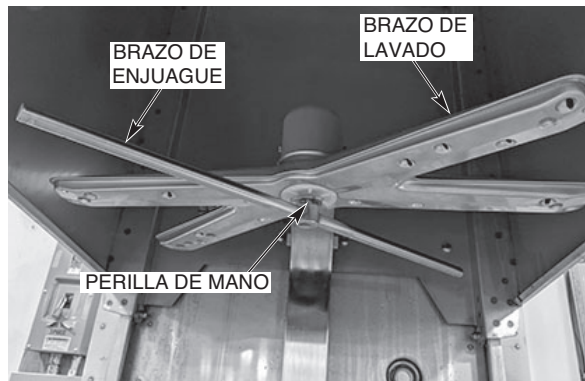


Fig. 23

NOTA: No golpee los brazos de lavado o de enjuague para limpiarlos.

7. Vuelva a colocar todas las piezas retiradas. Deje la puerta de la máquina abierta para que el interior se ventile y se seque.

QUÉ HACER Y QUÉ NO HACER CON SU LAVAVAJILLAS NUEVO DE HOBART

Asegúrese de que la dureza del agua es la adecuada (se recomienda 3 granos o menos por galón). Retire previamente todos los desechos de la vajilla.

Utilice únicamente los detergentes recomendados por su profesional químico.

Al final del día, limpie bien la máquina, enjuáguela y séquela (deje la puerta abierta). Siga al pie de la letra el programa de eliminación de sarro indicado por su profesional químico.

USE solo productos formulados para proteger el acero inoxidable. NO utilice detergentes formulados para lavavajillas residenciales. NO permita que restos de alimento se acumulen en el fondo del tanque.

NO supere las concentraciones de detergente, desinfectante, abrillantador o de eliminación de sarro recomendadas por el fabricante.

NO use lana de acero para limpiar los utensilios o las superficies del lavavajillas.

NO permita que entren objetos extraños en la unidad, especialmente contaminantes metálicos como clips, retenedores, etc.

NOTA: El incumplimiento de las instrucciones de uso, cuidado y mantenimiento puede anular la garantía de su lavavajillas Hobart.

PROGRAMACIÓN

MENÚ ADMINISTRADOR

Las máquinas de platos AM16X permiten opciones de personalización para el funcionamiento de la máquina. Para activar o modificar estas funciones, acceda al Menú administrador mediante el siguiente procedimiento.

1. Enciende el lavavajillas. La pantalla muestra la pantalla de listo cuando se ha completado el ciclo de llenado.
2. Pulse el botón "Menu".
3. Con el símbolo '>' al lado de 'Manager Menu' (menú administrador), pulse el botón 'Enter'. Aparecerá la pantalla 'Enter Security Code' (Introducir código de seguridad).
4. El código de administrador por defecto es el 1001. Utilice los botones de flecha para cambiar el valor y presione el botón "Enter" para seleccionar el valor y pasar al siguiente dígito hasta introducir el código.
5. Utilice las flechas direccionales arriba y abajo para cambiar el menú administrador.
 - a. Una vez que el símbolo '>' esté junto a la selección deseada, pulse el botón Enter.
 - b. Para las selecciones editables, utilice las flechas direccionales Arriba y Abajo para cambiar el valor.
 - c. Una vez que aparezca el valor deseado, pulse el botón "Enter" para guardar la selección.
6. Para salir de la programación, utilice las flechas para subir y bajar para desplazarse por los parámetros hasta que el símbolo '>' esté junto a 'Exit Menu' (Salir del menú) y pulse el botón Enter. Repita este procedimiento hasta que aparezca la pantalla de listo.

PARÁMETROS DEL MENÚ ADMINISTRADOR

EDITAR PARÁMETROS					
Nombre del parámetro	Modelos aplicables		Descripción	Valores posibles	Valor predeterminado
Bomba de detergente	AM16SCBX AM16VLSCBX		Hobart proporcionó el funcionamiento de la bomba de detergente.	Deshabilitado/ Habilitado	Habilitado
		AM16(T)-BASX AM16VL(T)-BASX			Deshabilitado
Caudal de detergente	AM16SCBX AM16VLSCBX		Caudal de detergente medido en mL por ciclo.	APAGADO a 22,6 mL	6,3 mL
		AM16(T)-BASX AM16VL(T)-BASX			APAGADO
Bomba de abrillantador	AM16SCBX AM16VLSCBX		Hobart proporcionó el funcionamiento de la bomba del abrillantador.	Deshabilitado/ Habilitado	Habilitado
		AM16(T)-BASX AM16VL(T)-BASX			Deshabilitado
Caudal de abrillantador	AM16SCBX AM16VLSCBX		Caudal de abrillantador medido en mL por ciclo.	APAGADO a 9,1 mL	3 mL
		AM16(T)-BASX AM16VL(T)-BASX			APAGADO

EDITAR PARÁMETROS					
Nombre del parámetro	Modelos aplicables		Descripción	Valores posibles	Valor predeterminado
Caudal de desinfectante	AM16SCBX AM16VLSCBX	NA	Caudal de desinfectante medido en % de ciclo de trabajo por ciclo.	0 - 100% (en 10 s)	50%
Eliminación de sarro	AM16SCBX AM16VLSCBX	AM16(T)-BASX AM16VL(T)-BASX	Activa o desactiva la opción de alerta para la eliminación de sarro.	Habilitado/ Deshabilitado	Habilitado
Bloqueo de la eliminación de sarro	AM16SCBX AM16VLSCBX	AM16(T)-BASX AM16VL(T)-BASX	La máquina deja de funcionar cuando se alcanzan los ciclos de eliminación de sarro.	No/Sí	No
Límite del ciclo de eliminación de sarro	AM16SCBX AM16VLSCBX	AM16(T)-BASX AM16VL(T)-BASX	Número de veces que la máquina se puede encender antes de bloquearse si no se ha ejecutado el ciclo de desconexión.	1 - 10 (en 1 s)	10
Unidades de temperatura	AM16SCBX AM16VLSCBX	AM16(T)-BASX AM16VL(T)-BASX	Ajusta las unidades de visualización a Fahrenheit o Celsius.	Fahrenheit/ Celsius	Fahrenheit
Modo de ahorro de energía	AM16SCBX AM16VLSCBX	AM16(T)-BASX AM16VL(T)-BASX	Este ajuste controlará el momento en que la máquina apague los calentadores para ahorrar energía cuando no esté en uso.	Deshabilitado/ 1Hora/2Horas/ 3Horas	2 horas
Idioma	AM16SCBX AM16VLSCBX	AM16(T)-BASX AM16VL(T)-BASX	Establece el idioma de la pantalla.	Inglés/francés/ español	Inglés
Programa de lavado	AM16SCBX AM16VLSCBX	AM16(T)-BASX AM16VL(T)-BASX	Establece la duración del ciclo de lavado.	1 min, 2 min, 4 min, 6 min	1 min
Indicador de puerta cerrada	AM16VLSCBX	AM16VL(T)-BASX	Indica cuando el bloqueo de la puerta está activado.	Deshabilitado/ Habilitado	Habilitado
	AM16SCBX	AM16(T)-BASX			Deshabilitado
Confirmación de apagado	AM16SCBX AM16VLSCBX	AM16(T)-BASX AM16VL(T)-BASX	Activa o desactiva la pantalla de confirmación de apagado.	No/Sí	No
Monitor de detergente	AM16SCBX AM16VLSCBX		Permite la notificación o el bloqueo en función de si se detecta el producto químico del detergente.	Deshabilitado/ Habilitado/ Bloqueo activado	Bloqueo habilitado
		AM16(T)-BASX AM16VL(T)-BASX			Deshabilitado
Localización de la bomba química	AM16SCBX AM16VLSCBX		Especifica la ubicación de las bombas de productos químicos. Interna para las bombas químicas suministradas por Hobart y externa para otras bombas químicas.	Interno/ Externo	Interno
		AM16(T)-BASX AM16VL(T)-BASX			Externo

EDITAR PARÁMETROS					
Nombre del parámetro	Modelos aplicables		Descripción	Valores posibles	Valor predeterminado
Monitor del desinfectante	AM16SCBX AM16VLSCBX	NA	Permite la notificación o el bloqueo en función de si se detecta el producto químico desinfectante.	Deshabilitado/ Habilitado/ Bloqueo activado	Bloqueo habilitado
Relleno rápido	AM16SCBX	AM16(T)-BASX AM16VL(T)-BASX	Activa o desactiva la función de llenado rápido. Nota: Requiere la instalación de un kit opcional de llenado rápido.	Habilitado/ Deshabilitado	Deshabilitado
Bloqueo de la temperatura de enjuague	AM16SCBX AM16VLSCBX		Bloquea la máquina si no se alcanza la temperatura mínima de enjuague final.	Bloqueo/ Deshabilitado/ Alerta solamente	Bloqueo
		AM16(T)-BASX AM16VL(T)-BASX			Deshabilitado
Modbus	AM16SCBX AM16VLSCBX	AM16(T)-BASX AM16VL(T)-BASX	Enables or disables Activa o desactiva la lectura de registros de terceros de la máquina. Nota: La máquina debe estar equipada con un equipo de monitorización para que se pueda realizar la lectura del registro.	Habilitado/ Deshabilitado	Habilitado
Retraso de la temperatura del tanque de lavado	AM16SCBX AM16VLSCBX		Retrasa el inicio del ciclo de lavado hasta que se alcanza la temperatura mínima de NSF.	Habilitado/ Deshabilitado	Habilitado
		AM16(T)-BASX AM16VL(T)-BASX			Deshabilitado
Canasto colador	AM16SCBX AM16VLSCBX	AM16(T)-BASX AM16VL(T)-BASX	Configura la máquina para ignorar, alertar o bloquear al usuario si el canasto del colador no está colocada.	Ignorar/Alerta/ Bloqueo	Bloqueo
Salida del menú					
ELIMINAR SARRO AHORA					
Nombre del parámetro	Modelos aplicables		Descripción	Valores posibles	Valor predeterminado
Eliminar sarro ahora	AM16SCBX AM16VLSCBX	AM16(T)-BASX AM16VL(T)-BASX	Se recomienda la eliminación de sarro ¿Quiere eliminar el sarro ahora? INICIO DE LA ELIMINACIÓN DE SARRO 1. Retire, limpie y vuelva a colocar el colador. 2. Presione Enter.	Sí/No	No

CEBADO DE BOMBAS QUÍMICAS

Nombre del parámetro	Modelos aplicables		Descripción	Valores posibles	
Menú de la bomba	AM16SCBX AM16VLSCBX	NA	Ceba automáticamente el desinfectante	Desinfectante	Reemplazar/OK
		AM16(T)-BASX AM16VL(T)-BASX	Ceba automáticamente el detergente	Detergente	Reemplazar/OK
			Ceba automáticamente el abrillantador	Abrillantador	Reemplazar/OK

MANTENIMIENTO

⚠ ADVERTENCIA Desconecte la energía eléctrica de la máquina (tanto del lavavajillas como del sobrecalentador, si se aplica) y siga los procedimientos de bloqueo/etiquetado. Asegúrese de que todos los circuitos están desconectados.

BRAZOS DE LAVADO

Los brazos de lavado y enjuague superior e inferior (página 23, Figs. 22, 23) deben girar libremente y continuar girando durante unos segundos después de ser girados a mano. Retire cualquier obstáculo que provoque un funcionamiento incorrecto.

Si la bandeja del colador o el canasto colador no están bien colocados, las obstrucciones (como partículas de comida o huesos) pueden obstruir las boquillas del brazo de lavado. Los brazos de lavado se extraen fácilmente para su limpieza.

Para retirar el brazo de lavado inferior, desenrosque la perilla manual y levante el brazo de enjuague (Fig. 22). El brazo de lavado se puede levantar una vez retirado el brazo de enjuague.

Los brazos superiores de lavado y enjuague se extraen desenroscando la perilla manualmente (Fig. 23) y bajando ambos brazos a la vez. Tenga cuidado de no dejar caer los brazos.

MOTOR(ES)

El motor de la bomba de lavado, el motor de la bomba de enjuague, el motor de la bomba de drenaje y el motor del ventilador (sólo en los modelos "VL") están equipados con rodamientos de lubricación permanente y no requieren mantenimiento de lubricación.

BOMBAS DE PRODUCTOS QUÍMICOS

Si la unidad tiene bombas de productos químicos Hobart integradas, inspeccione los tubos para químicos cada 6 meses y reemplácelos según sea necesario. Inspeccione también las tapas de las botellas de productos químicos y los tubos verticales para asegurarse de que no están agrietados o desgastados.

INSTRUCCIONES PARA ELIMINAR EL SARRO

Para entrar en el ciclo de eliminación de sarro sin notificación, consulte PROGRAMACIÓN (página 25) para acceder al Menú administrador, eliminar el sarro ahora.

Proceso de eliminación de sarro

La máquina indicará al operario cuándo debe eliminar el sarro en función de un número determinado de ciclos realizados. Cuando se le solicite, la pantalla mostrará 'DELIME RECOMMENDED. Would you like to delime now?' (Eliminación de sarro recomendada. ¿Desearía eliminar el sarro ahora)?. Si está preparado para la eliminación de sarro, utilice los botones de flecha para mover el símbolo '>' junto a 'yes' (sí) y pulse el botón Enter. Pulse el botón Enter en 'no' para la eliminación de sarro de la máquina más tarde. Si se seleccionó 'yes' para iniciar un ciclo de eliminación de sarro, siga los siguientes pasos.

1. La pantalla mostrará 'DELIME INITIATED. 1) Remove, clean and replace strainer, 2) Press Enter' (Eliminación de sarro iniciada. 1) Retire, limpie y vuelva a colocar el colador, 2) Pulse Enter). Abra la puerta de la máquina y retire el canasto del colador y la bandeja del colador.

2. Vuelva a colocar la bandeja del colador y el canasto colador en la máquina y asegúrese de que el canasto esté en la posición de bloqueo (página 19, Fig. 19).
3. Cierre la puerta de la máquina y presione el botón "Enter". La máquina se drenará. Una vez que la máquina se haya vaciado, la unidad se llenará de agua fresca.
4. Una vez completado el ciclo de llenado, la pantalla indicará 'ADD DELIME AGENT, 1) Add delime agent, 2) Press enter' (Adicione el agente de eliminación de sarro, 1) Adicione el agente de eliminación de sarro, 2) Pulse enter). Abra la puerta de la máquina y vierta la cantidad necesaria de producto químico de eliminación de sarro en el tanque de lavado según las recomendaciones de los proveedores de productos químicos para el tanque de lavado de 37,9 l (10,5 galones) y cierre la puerta.
5. Una vez que la puerta esté cerrada, pulse el botón 'Enter'. La unidad comenzará un ciclo de lavado de 10 minutos.
6. Después del ciclo de lavado de 10 minutos, la máquina se drenará y se volverá a llenar con agua fresca. Una vez llenada, la unidad iniciará un ciclo de lavado de 1 minuto para eliminar cualquier residuo químico de la eliminación de sarro restante.
7. Después de un ciclo de lavado de 1 minuto, la máquina se drenará y se apagará.

Bloqueo de la eliminación de sarro

Si la función de bloqueo de la eliminación de sarro está activada en el Programa del modo administrador y se muestra el recordatorio de eliminación de sarro, la máquina permitirá el lavado durante un máximo de 10 ciclos de apagado/encendido antes de que se desactive el botón de lavado. Consulte la programación del Menú administrador, páginas 25 - 28.

Límite del ciclo de bloqueo de eliminación de sarro

Cuando se activa el bloqueo de eliminación de sarro, se establece el número de veces que la máquina se encenderá antes de que se desactive el botón de lavado. Los ajustes son de 1 a 10 ciclos de encendido. Consulte la programación del Menú administrador, páginas 25 - 28.

LIMPIEZA DE DEFLECTORES EN EL MODELO AM16VLT-BASX

Los deflectores (superior e inferior), situados en la pared posterior del interior de la máquina (Fig. 24), deben limpiarse cada 6 meses o antes si es necesario.

⚠ ADVERTENCIA **Desconecte la energía eléctrica de la máquina (tanto del lavavajillas como del sobrecalentador, si se aplica) y siga los procedimientos de bloqueo/etiquetado. Asegúrese de que todos los circuitos están desconectados.**

1. Afloje y retire las tuercas de cada deflector y retire los deflectores.
2. Los residuos pueden acumularse en las superficies de los deflectores y deben lavarse en un fregadero con un detergente suave y enjuagarse.
3. Vuelva a colocar los deflectores con las tuercas retiradas en el paso 1.
4. Deje la puerta de la máquina abierta para que el interior se ventile y se seque.

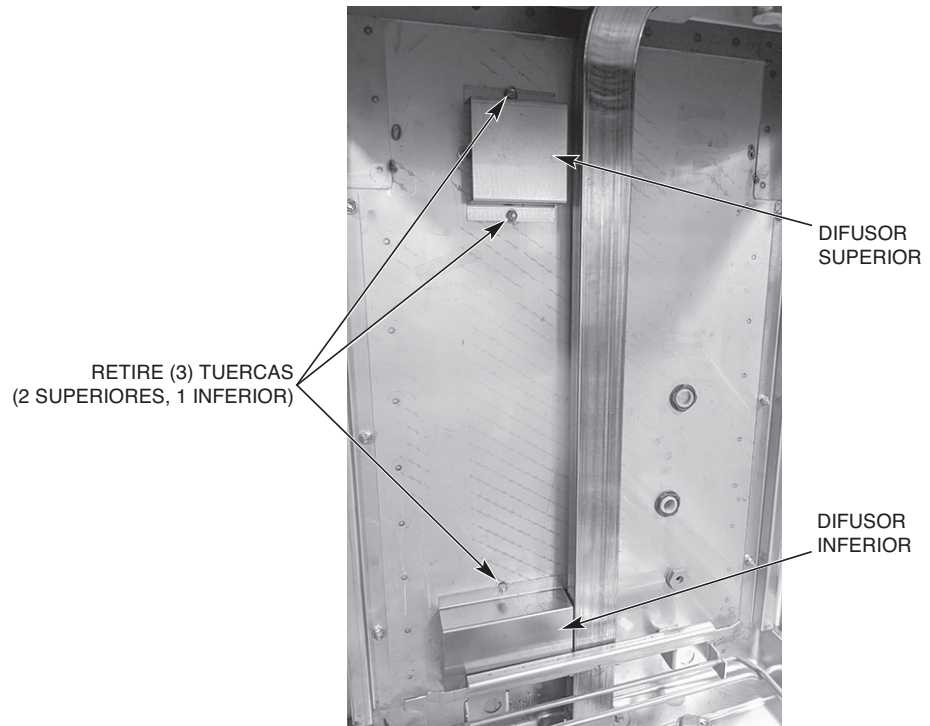
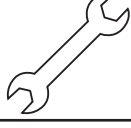


Fig. 24

SOLUCIÓN DE PROBLEMAS

MENSAJES DE DIAGNÓSTICO / ERROR

Error	Pantalla		Descripción
Puerta abierta	Puerta abierta		Se muestra cuando se abre la puerta de la máquina.
Error del termistor de lavado	SENSOR DE TEMPERATURA DE LAVADO -----Error----- Servicio requerido Presione Enter		Se muestra un error si la sonda de temperatura de lavado está fuera de rango. La máquina seguirá ejecutando los ciclos.
Error del termistor del sobrecalentador	SENSOR DE TEMPERATURA DEL SOBRECALENTADOR -----Error----- Servicio requerido Presione Enter		Se muestra un error si la sonda de temperatura del sobrecalentador está fuera de rango. La máquina seguirá ejecutando los ciclos.
Error del termistor de enjuague final	SENSOR DE TEMPERATURA DE ENJUAGUE -----Error----- Servicio requerido Presione Enter		Aparece un error si la sonda de temperatura de enjuague final está fuera de rango. La máquina seguirá ejecutando los ciclos.
Error de vaciado	ERROR DE VACIADO -----Error----- Servicio requerido Presione Enter		Error mostrado si el nivel de agua del tanque de lavado está por encima del límite superior de 2250 mV. La máquina no funcionará y sólo se apagará.
Error de nivel del sumidero	SENSOR DE NIVEL DEL SUMIDERO -----Error----- Servicio requerido Presione Enter		Se muestra un error si el presostato del sumidero está fuera de rango. La máquina no funcionará y sólo permitirá el apagado.
Error de nivel bajo del sumidero	NIVEL BAJO DE LA BOMBA -----Error----- Servicio requerido Presione Enter		Se muestra un error si el nivel del sumidero es inferior a 700 mV.
Error de nivel de recalentador	SENSOR DE NIVEL DE RECALENTADOR -----Error----- Servicio requerido Presione Enter		Se muestra un error si el presostato del recalentador de presión está fuera de rango. La máquina no funcionará y sólo permitirá el apagado.
Nivel de agua bajo en el recalentador	ERROR DE LLENADO -----Error----- Servicio requerido Presione Enter		Se muestra un error si la unidad termina de funcionar en 600 segundos antes de que la unidad se llene por completo. La máquina no funcionará y sólo permitirá el apagado.
Se ha disparado la temperatura del tanque de lavado	SOBRECALENTAMIENTO DEL SUMIDERO -----Error----- Servicio requerido Presione Enter		Se ha disparado el sobrecalentamiento del tanque de lavado. El error no se puede borrar hasta que se haya restablecido el sobrecalentamiento. Contacte el servicio de Hobart.

Error	Pantalla	Descripción
Se ha disparado el sobrecalentamiento de la temperatura del sobrecalentador	SOBRETENPERATURA DEL SOBRECALENTADOR -----Error----- Servicio requerido Presione Enter	Se ha disparado el sobrecalentamiento del sobrecalentador. El error no se puede borrar hasta que se haya restablecido el sobrecalentamiento. Contacte el servicio de Hobart.
Advertencia de abrillantador vacío	AÑADIR ABRILLANTADOR	Aparece un error si la máquina no detecta el abrillantador. La máquina seguirá ejecutando los ciclos.
Advertencia de detergente vacío	AÑADIR DETERGENTE	Aparece un error si la máquina no detecta el detergente. La máquina seguirá ejecutando los ciclos. (El monitor de detergente debe estar activado).
Bloqueo del vaciado de detergente	SUMINISTRO DE DETERGENTE VACÍO Sustituya el detergente y pulse Enter	Si el detergente está vacío durante 3 veces y el bloqueo del detergente está activado, se mostrará el error. La máquina no funcionará y sólo permitirá el apagado y el cebado.
Aviso de desinfectante vacío	AÑADIR DESINFECTANTE	Aparece un error si la máquina no detecta el desinfectante. La máquina seguirá ejecutando los ciclos.
Bloqueo de vaciado del desinfectante	SUMINISTRO DE DESINFECTANTE VACÍO Sustituya el desinfectante y pulse Enter	Si el desinfectante está vacío durante 3 veces y el bloqueo del desinfectante está activado, se mostrará el error. La máquina no funcionará y sólo permitirá el apagado y el cebado.
Aviso de baja temperatura de enjuague	TEMPERATURA DE ENJUAGUE BAJA	Después de dos temperaturas bajas consecutivas, si el problema se produce en el tercer ciclo consecutivo, se mostrará el error. La máquina seguirá ejecutando los ciclos.
Bloqueo de la temperatura de enjuague baja (3 seguidas)	¡Temperatura de enjuague demasiado baja! Pulse el botón de encendido para iniciar el vaciado	Si el bloqueo de enjuague final está activado, y la temperatura de enjuague final no alcanzó la temperatura mínima de enjuague final después de tres ciclos consecutivos, la máquina se bloqueará.
Bloqueo de la eliminación de sarro	ELIMINACIÓN DE SARRO REQUERIDA Ahora debe ejecutar un ciclo de eliminación de sarro! > Eliminar sarro ahora	Si se activa el bloqueo de la eliminación de sarro, la máquina se bloqueará si se ignora el recordatorio de eliminación de sarro 10 veces.
Monitorización del contacto de calor de lavado	¡ALERTA! Condición de peligro Fallo del contacto Tire del disyuntor Contacte el servicio	El calentador del tanque de lavado permanece encendido mientras se ignora la orden de apagado del software. La máquina está ejecutando un ciclo de llenado y vaciado para proteger el calentador.

Error	Pantalla		Descripción
Monitorización del contacto de calor del sobrecalentador	<p>¡ALERTA! Condición de peligro Fallo del contacto Tire del disyuntor Contacte el servicio</p>		<p>El sobrecalentador permanece encendido mientras se ignora la orden de apagado del software. La máquina está ejecutando un ciclo de llenado y vaciado para proteger el calentador. Este error no es reparable por el usuario. Desconecte el suministro del disyuntor y póngase en contacto con el servicio técnico de Hobart.</p>
Retraso de la temperatura del tanque de lavado	<p>Temperatura no alcanzada. Vacíe y reinicie la máquina. Pulse el botón de encendido.</p>		<p>La temperatura de lavado no alcanzó el punto de ajuste mínimo requerido dentro del período de tiempo de espera.</p>
Error del canasto del colador	<p>Asegúrese de que el canasto del colador esté bloqueado en su sitio.</p>		<p>El cesto del colador no está insertado, o no está en la posición de bloqueo.</p>

MÓDULO DE COMUNICACIÓN

Para los modelos AM16SCBX equipados con el módulo de comunicación integrado sPod®, la unidad se conectará automáticamente a una puerta de enlace SiteSage® y comenzará a transmitir los datos pertinentes para la supervisión remota en el momento de la puesta en marcha. Si surgen problemas, póngase en contacto con el grupo de apoyo de su proveedor de sistemas de comunicación.

SÍNTOMA	CAUSA POSIBLE
No hay funcionamiento de la máquina.	<ol style="list-style-type: none"> Máquina apagada, encienda la máquina. Fusible fundido o disyuntor disparado en la fuente de alimentación.
La vajilla no está limpia.	<ol style="list-style-type: none"> Pérdida de presión del agua por obstrucción de la bomba. ⚠ ADVERTENCIA Desconecte la alimentación eléctrica (tanto del lavavajillas como del sobrecalentador, si se aplica) y vacíe el tanque. Retire el colador y el tubo y compruebe que la entrada de la bomba y el desagüe no están obstruidos. Temperatura del agua incorrecta. Póngase en contacto con el servicio técnico para su ajuste o reparación. Exceso de depósitos minerales en todo el sistema de lavado y enjuague. Puede ser necesario eliminar el sarro, consulte la página 29. Compruebe que los brazos de lavado y de enjuague no estén obstruidos y que giren correctamente. Compruebe la parte trasera de los brazos de lavado y asegúrese de que los tapones de limpieza de plástico están colocados y asegurados. Los coladores están obstruidos y el suministro de agua a la bomba es inadecuado; limpie la máquina según la sección de Limpieza, página 23. Asegúrese de que el dispensador de productos químicos funciona correctamente. Exceso de suciedad; raspe los platos antes del ciclo Carga incorrecta de las cestas; consulte Preparación y lavado de vajilla, páginas 19, 20.
Manchas en los cubiertos, los vasos y la vajilla.	<ol style="list-style-type: none"> Bandejas mal cargadas. Temperatura incorrecta del agua de enjuague. Pérdida de presión del agua por obstrucción de la bomba. ⚠ ADVERTENCIA Desconecte la alimentación eléctrica (tanto del lavavajillas como del sobrecalentador, si se aplica) y vacíe el tanque. Compruebe si hay alguna obstrucción en la entrada de la bomba. Agua excesivamente dura. Detergente incorrecto para el tipo de agua. Aditivo de enjuague incorrecto para el tipo de agua. Concentración incorrecta de detergente, aditivo de enjuague y/o desinfectante. Exceso de suciedad; raspe los platos antes del ciclo. Asegúrese de que el tanque de lavado se drena y se limpie según sea necesario.
Exceso de vapor o vapor de agua después de completar el ciclo. Sólo modelos AM16VL-BASX y AM16VLT-BASX.	<ol style="list-style-type: none"> Agua fría entrante demasiado caliente. Comuníquese con el servicio técnico de Hobart para ajustar el tiempo del ciclo de condensación.
Enjuague inadecuado o temperatura del agua de enjuague demasiado baja.	<ol style="list-style-type: none"> Exceso de depósitos minerales en todo el sistema de lavado y enjuague. Puede ser necesario eliminar el sarro, consulte la página 29. Para las máquinas calientes con ventilación, la temperatura del agua entrante en el sobrecalentador debe ser inferior a 43 °C (110 °F). Para las máquinas sin ventilación, la temperatura del agua entrante a la máquina debe ser inferior a 12,8 °C (55 °F). La máquina extenderá automáticamente el tiempo de lavado hasta que el sobrecalentador se caliente. Asegúrese de que los brazos de enjuague giren libremente.

SÍNTOMA	CAUSA POSIBLE
Válvula con fuga.	<ol style="list-style-type: none"> 1. Si la conexión de la manguera en la válvula tiene fugas, compruebe la junta de la manguera para asegurarse de que está bien asentada y no está desgastada o cortada. 2. Si la electroválvula funciona mal (tiene fugas, no se abre o no se cierra), póngase en contacto con el servicio técnico de Hobart.
Bajo/no hay calor en el tanque de lavado.	<ol style="list-style-type: none"> 1. Garantice un nivel de agua suficiente en el tanque. 2. Asegúrese de que el elemento calefactor esté limpio y sin exceso de sarro.
No se llena o se llena lentamente.	<p>Nota: El tiempo de llenado podría ser de hasta 25 minutos.</p> <ol style="list-style-type: none"> 1. El suministro de agua puede estar cortado; asegúrese de que la válvula de suministro de agua caliente está abierta. 2. Colador sucio en la conexión de la manguera de llenado que provoca una reducción del flujo de agua. Cierre el suministro de agua caliente, retire la manguera de llenado y limpie la malla. Vuelve a montar.
No dispensar productos químicos (en máquinas equipadas con bombas de productos químicos de Hobart).	<ol style="list-style-type: none"> 1. Asegúrese de que las botellas de productos químicos están llenas. 2. Asegúrese de que los tapones de las botellas de productos químicos estén bien aseguradas. 3. Inspeccione la tubería y asegúrese de que está ajustada a las tapas de las botellas. 4. Asegúrese de que los tubos no estén doblados o retorcidos. 5. Asegúrese de que el tubo vertical y la tubería están completamente asentados en la botella de productos químicos. 6. Ceban manualmente los productos químicos. Si no lo consigue, póngase en contacto con el servicio técnico de Hobart.

SERVICIO

PIEZAS FUNGIBLES DEL AM16X

Las siguientes piezas de la máquina del lavavajilla AM16X son desechables por naturaleza y pueden no estar cubiertas por la garantía de productos Hobart. Para ver la garantía de los productos Hobart, consulte <https://www.hobartservice.com/service-plans/hobart-product-warranty>.

LISTA DE PIEZAS FUNGIBLES DEL AM16X

Número de pieza	Descripción	Cantidad	Tipo de máquina
00-918049	Tapón del brazo elevador	2	Todas
00-893834	Junta, tapa superior, alta AM	3	Altura
00-975055	Buje, brazo de lavado	2	Todas
00-886610	Kit, tapón del brazo de lavado	1	Todas
00-562078	Anillo de retención	2	Todas
00-13156-00001	Abrazadera (manguera con acción de resorte)	AR	SCBX / VLSCBX
00-949651-00001	Kit de tubo de presión, bomba de productos químicos (desinfectante, abrillantador, detergente) (Incluye abrazaderas de manguera)	3	SCBX / VLSCBX
00-185105-00002	Tubería, rojo, 3,7 m (144 in), 1/4 in	1	SCBX / VLSCBX
00-185105-00006	Tubería, azul, 3,7 m (144 in), 1/4 in	1	SCBX / VLSCBX
00-185105-00004	Tubería, transparente, 3,7 m (144 in), 1/4 in	1	SCBX / VLSCBX
00-185105-00013	Tubo, transparente, 15 cm (6 in)	2	SCBX / VLSCBX
00-185105-00024	Tubo, transparente, 1,68 m (66 in)	1	SCBX / VLSCBX
00-562915	Kit, tapa química de repuesto	1	SCBX / VLSCBX
00-975024	Montaje, filtro de aspiración	AR	SCBX / VLSCBX
00-185111-00001	Abrazadera #2	AR	SCBX / VLSCBX
00-463293	Tubo, mirilla	1	Altura
00-185111-00002	Abrazadera, manguera 7/16 in	AR	Altura
00-474800	Cesta, 6 cacerolas	AR	Altura
00-315191	Cesta de espigas	AR	Todas
00-315193	Cesta de combinaciones	AR	Todas

Póngase en contacto con su oficina local de servicio autorizado Hobart para cualquier reparación o ajuste necesario en este equipo. Existen contratos de servicio a largo plazo para este y otros productos Hobart. Llame al 1-888-4HOBART para el servicio de Hobart las 24 horas del día.

