



Ice Machines & Bins

Replacement Parts Manual

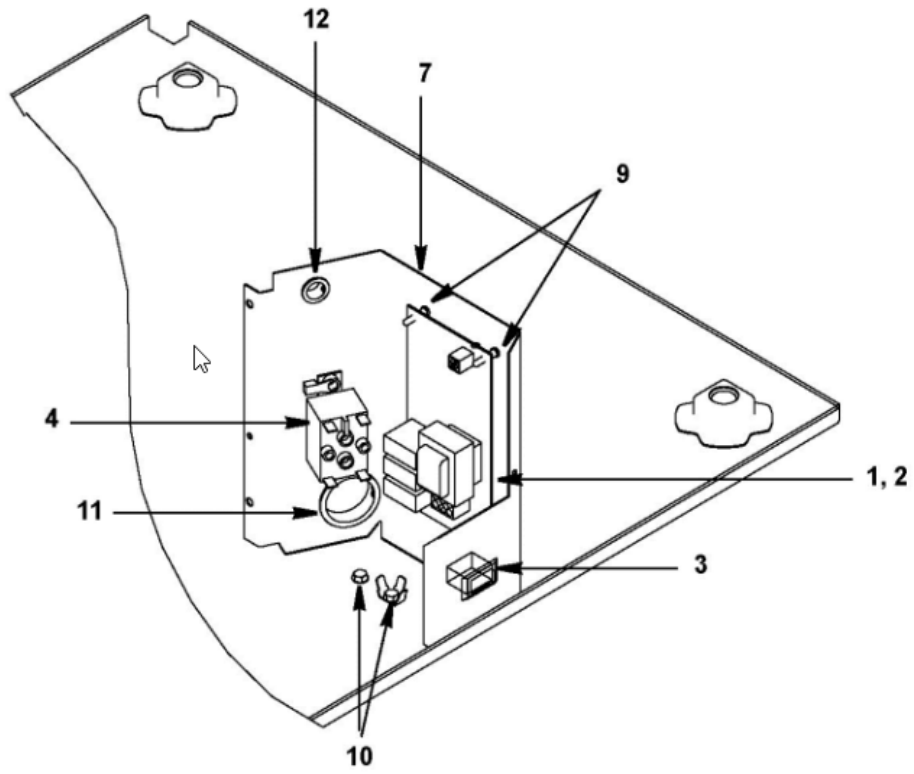


MoTak - PKU0155 Model

Control Box		
No.	Part No.	Description
1	7629073	Control Board
2	2511493	Fuse - 10A
3	2301513	Toggle Switch
4	2006569	Contactor - 115V/60 Hz/1 Ph
5		Wiring Harnesses
5a	2002183	Wiring Harness - Air-cooled
5b	2007013	Wiring Harness - Ice Thickness Control Probe
5c	2032483	Wiring Harness - Toggle Switch
6	2006863	Power Cord - 115V/60 Hz
7	6046931	Control Box
8	7629083	Control Box Cover
9	4302253	Control Board Mounting Supports
10	5202329	Screw - #10-24 x 0.25" PHIL
10a	5573209	Star Washer
11	2500139	Bushing - 1.5"
12	2502189	Bushing - 0.625"

MoTak - PKU0155 Model

Control Box

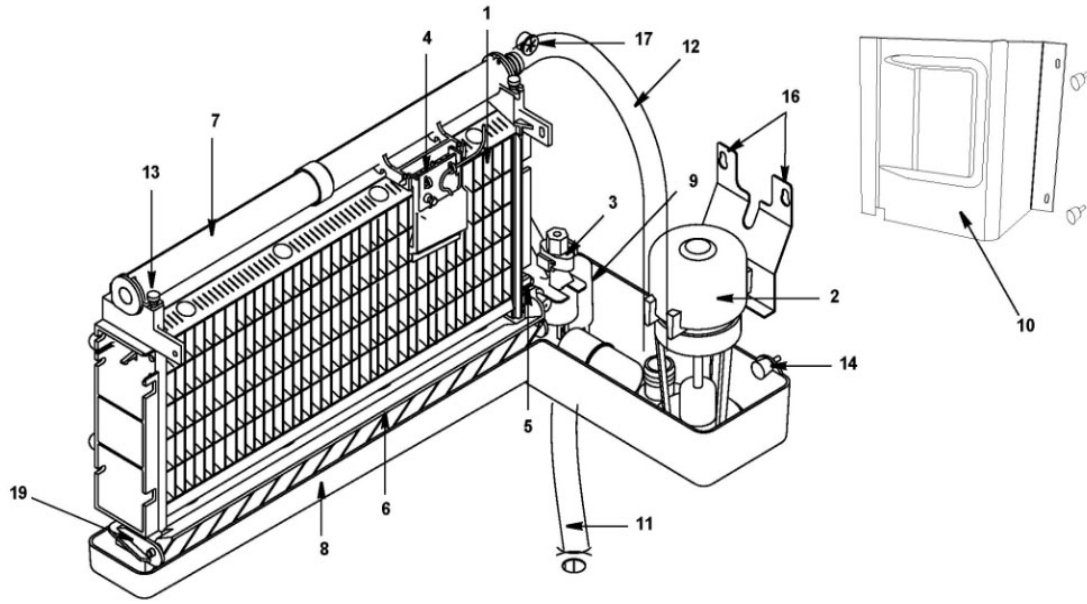


MoTak - PKU0155 Model

Evaporator Components		
No.	Part No.	Description
1		Evaporator Assembly
1a	000016511	Evaporator - Dice Cube
1b	000016512	Evaporator - Half Dice Cube
1c	040001379	Bottom Frame Plug
2	7623063	Water Pump - 115V/60 Hz
3	8369049	Float Valve Assembly
3a	8369069	Float Valve Screen
3b	8369089	Float Valve Plunger
3c	5650729	Compression Nut
3d	7621403	Bracket - Float Valve
4	040000714	Ice Thickness Control Probe Assembly w/14.0' Lead
5	000007337	Magnetic Bin Switch
6	000016515	Ice Damper
6a	7629093	Magnet and Cap - Ice Damper
7	000016513	Water Distribution Tube - UnderCounters
8	040001251	Water Trough
9	4302223	Siphon Cap
10	000006754	Water Pump Cover
10a	040001217	Thumbscrew - #8-32 x 0.625"
11	7600853	Drain Tube
12	040001234	Tubing
13	5000013	Thumbscrew - #8-32 x 0.375"
14	040001217	Thumbscrew - #8-32 x 0.625"
15	5202189	Screw - #10-24 x 0.75"
16	5202069	Screw - #10-24 x 0.5" HEX
17	2500169	Bushing - 0.91" OD x 0.44" ID
18	2078063	Water Pump Lead - 115V/60 Hz
19	000016514	Evaporator Frame Assembly

MoTak - PKU0155 Model

Evaporator Components

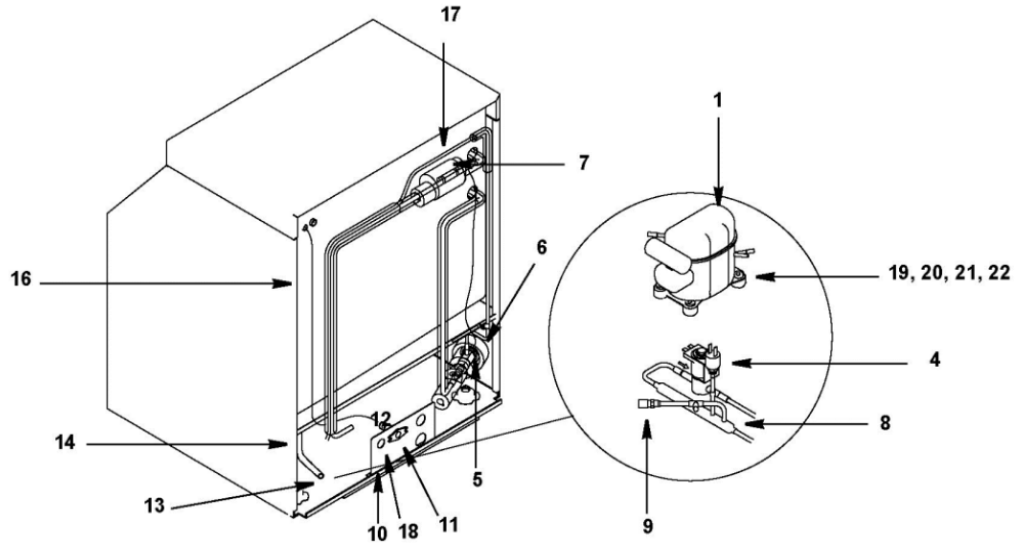


MoTak - PKU0155 Model

Refrigeration Compartment		
No.	Part No.	Description
1	040005646	Compressor - Embraco - 115V/60 Hz/1 Ph
2		Start Components
2a	040005651	Current Relay - 115V/60 Hz/1 Ph
2b	040005648	Start Capacitor
2c	040005650	Overload
3	040000689	Harvest Valve - 115V/60 Hz
3a	040000101	Harvest Valve Coil Only -115V/60 Hz/1 Ph
3b	040000104	Bracket - Harvest Valve
4	000013579	High Pressure Cut-out (Auto-reset)
5	040003693	Expansion Valve
6	040005366	Valve Insulation Boot - Body
7	4007203	Valve Insulation Boot - Bulb
8	8251063	Manifold Strainer
9	8373253	Access Valve
10	6026821	Coupling Panel
11	8706093	Female Wing Adapter - 0.375"
12	1360961	Male Connector
13	000005423	Female Wing Adapter - 0.5"
14	4420983	Bin Drain Tubing
15	5650649	Spray Bar Clamp
16	4420291	Tygon Tube - 0.25" OD
17	5650529	Clamp - Expansion Valve Bulb
18	5202069	Screw - #10-24 x 0.5" HEX
19	040005640	Mounting - Rubber Grommet
20	5573179	Compressor Mounting Washer
21	040005697	Compressor Mounting Pin
22	5648289	Compressor Hairpin Clip
23	040005641	Mounting - Sleeve
24	040002848	Bracket - Overload
25	040005649	Bracket - Capacitor
26	040002847	Terminal Cover
27	040005569	Compressor Base

MoTak - PKU0155 Model

Refrigeration Compartment

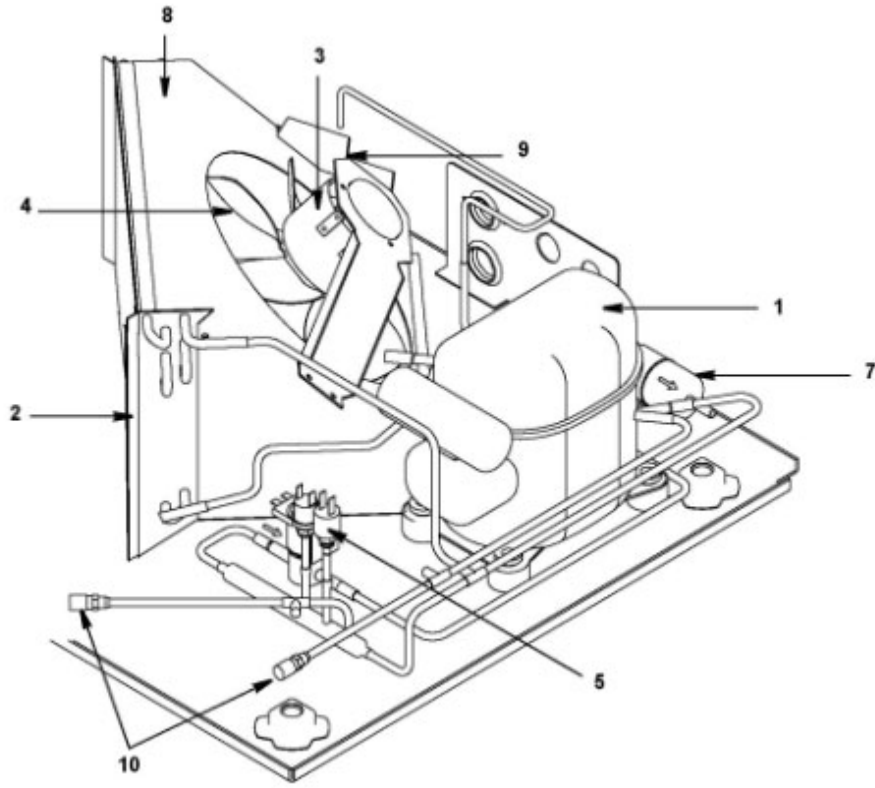


MoTak - PKU0155 Model

Air-cooled Compartment		
No.	Part No.	Description
1		Compressor - See Refrigeration Page
2	8851373	Air Condenser
3	040005737	Fan Motor - 115V/60 Hz
4	3005659	Fan Blade
5	000013509	Fan Cycling Control - 225-275 psig
6	040003916	Air Filter - 11.37" x 7.75"
6a	040004682	Bracket - Air Filter
7	8930259	Drier - 0.25"
8	6026851	Fan Shroud
9	040005728	Fan Motor Mounting Bracket
10	8373253	Access Valve

MoTak - PKU0155 Model

Air-cooled Compartment

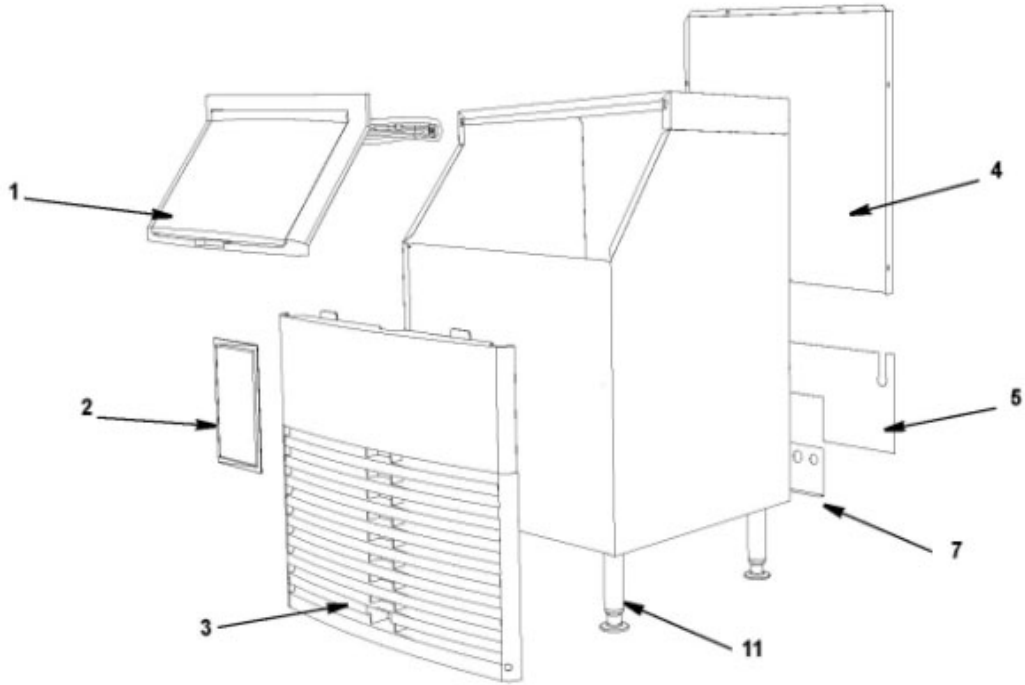


MoTak - PKU0155 Model

Panels		
No.	Part No.	Description
1	040003914	Bin Door & Door Frame Assembly
1a	040003913	Bin Door w/Pins
1b	040003912	Door Frame w/Screws
1c	040004688	Door Track Set - LH and RH
1d	000006837	Door Pin Sleeve
1e	000015104	Screw - #8-18 x 0.625" SS Door Frame
2	040003916	Air Filter - 11.37" x 7.75"
2a	040004682	Bracket - Air Filter
3	000016510	Front Panel Assembly
4	6026801	Back Panel, Upper
5	6033501	Back Panel, Lower
6	040004889	Ice Scoop - Standard - 32 ounces
7	6026821	Coupling Panel
8	5202239	Screws - #8 x 0.75"
8a	5474893	Tinnerman Clip - #8
9	5202069	Screw - #10-24 x 0.5" HEX
11	K00151	Legs - 6"
12	000016509	Cartoning

MoTak - PKU0155 Model

Panels

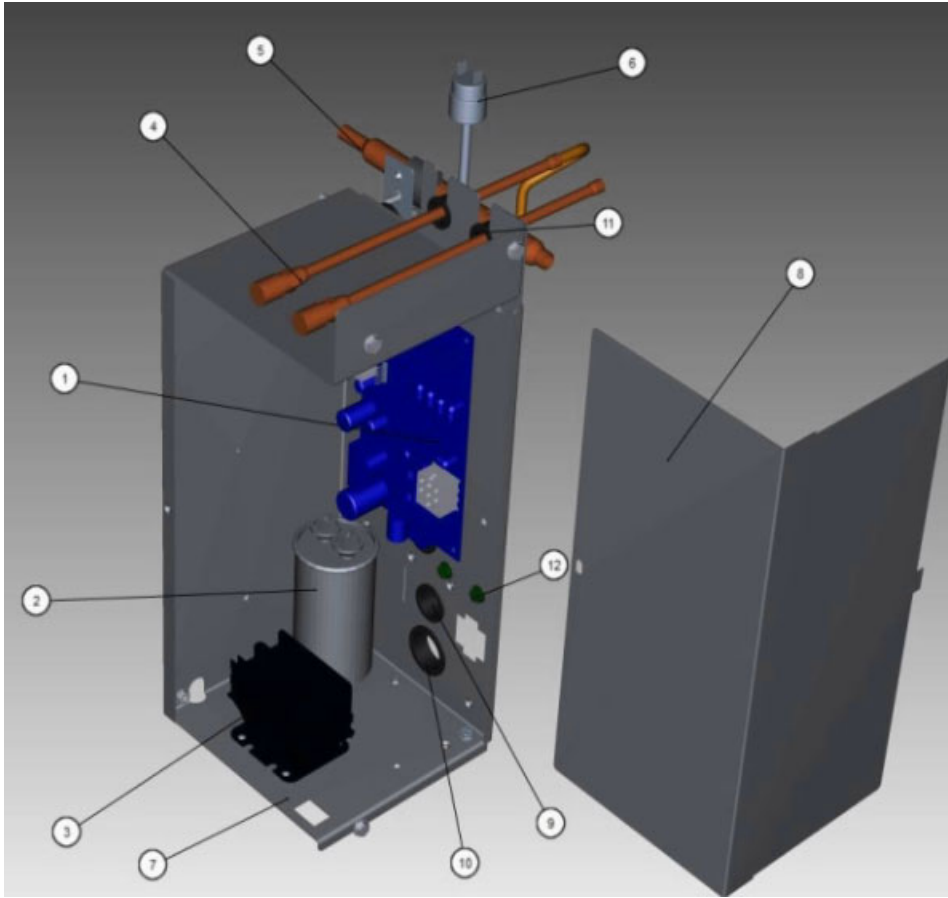


MoTak - PKM0335 Model

Control Box		
No.	Part No.	Description
1	000015302	Control Board Assembly
1a	000015010	Fuse - 3.15A
1b	4302253	Control Board Mounting Supports
2	000000028	Run Capacitor - 115-230V/50-60 Hz/1 Ph
2a	000010711	Bracket - Run Capacitor
3	2006589	Contactora - 115V/60 Hz/1 Ph
4	8373263	Refrigeration Service Valve Assembly - 0.375"
4a	000012264	Refrigeration Service Valve Assembly - 0.3125"
5	000011170	Manifold Strainer
5a	6058571	Bracket - Access Valves/Manifold Strainer
5b	000010699	Grommet - Manifold Strainer
6	000013576	High Pressure Cut-out
7	000013819	Control Box
8	000012138	Control Box Cover
9	2501409	Bushing - 0.875"
10	2500019	Bushing - 1.187"
11	2502189	Bushing - 0.625"
12	5202169	Screw - #10-24 x 0.5" Ground
13	000014323	PTCR - 12A
13a	8505013	PTCR Mounting Bracket
13b	5004129	Screw - #6 x 0.5"
14	2007939	Toggle Switch
14a	000010724	Wiring Harness - Toggle Switch
15	000013531	Fan Cycling Control - 335-275 psig
16	5202069	Screw - #10-24 x 0.5" HEX
17	5573209	Star Washer
18	000013969	Control Box Wiring Harness - 115V/60 Hz/1 Ph
19	000007185	Wiring Harness - Compressor Compartment - Air-cooled
20	000011182	Wiring Harness - Compressor - Samsung
21	000010511	Wiring Harness - Float Switch to Control Box

MoTak - PKM0335 Model

Control Box

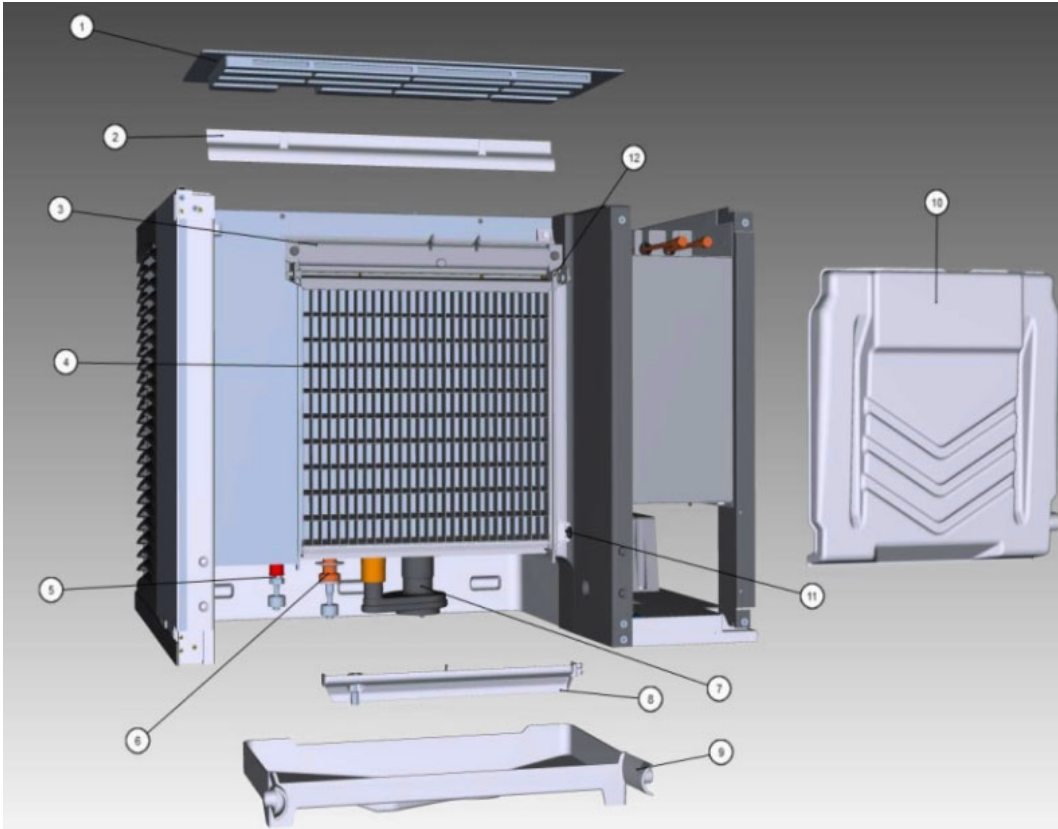


MoTak - PKM0335 Model

Evaporator Compartment		
No.	Part No.	Description
1	000009055	Foodzone Seal Panel - 30"
2	4008469	Evaporator Top Filler Panel
2a	6063339	Bracket - Top Filler Panel
2b	5202099	Screw - #10-24 x 0.5" PHIL
3	000016391	Water Distribution Tube - 22"
4		Evaporator
4a	000016503	Evaporator - Dice Cube
4b	000016504	Evaporator - Half Dice Cube
5	000012651	Ice Thickness Float
5a	000010630	Bracket - Ice Thickness Float
6	000012649	Harvest Float
6a	000010818	Bracket - Harvest Float
7	2008929-ORA	Water Pump - 115V/60 Hz
8	000016403	Water Diverter - 22" Models
8a	5305123	Thumbscrew SS - #8-32 x 0.44"
9	000016400	Water Trough
10	4011189	Water Curtain
11	000010510	Magnetic Bin Switch
12	000016507	Evaporator Top Frame Assembly
13	5004799	Thumbscrew SS - #8-32 x 0.375"
14	5004629	O-Ring - 0.125" ID
15	5004619	Screw - #12-16 x 0.687"
16	5004659	Water Pump Base O-Ring - 4.00" ID
17	5004679	Water Pump Outlet O-Ring - 0.875" ID
18	000010244	Water Pump Mount

MoTak - PKM0335 Model

Evaporator Compartment

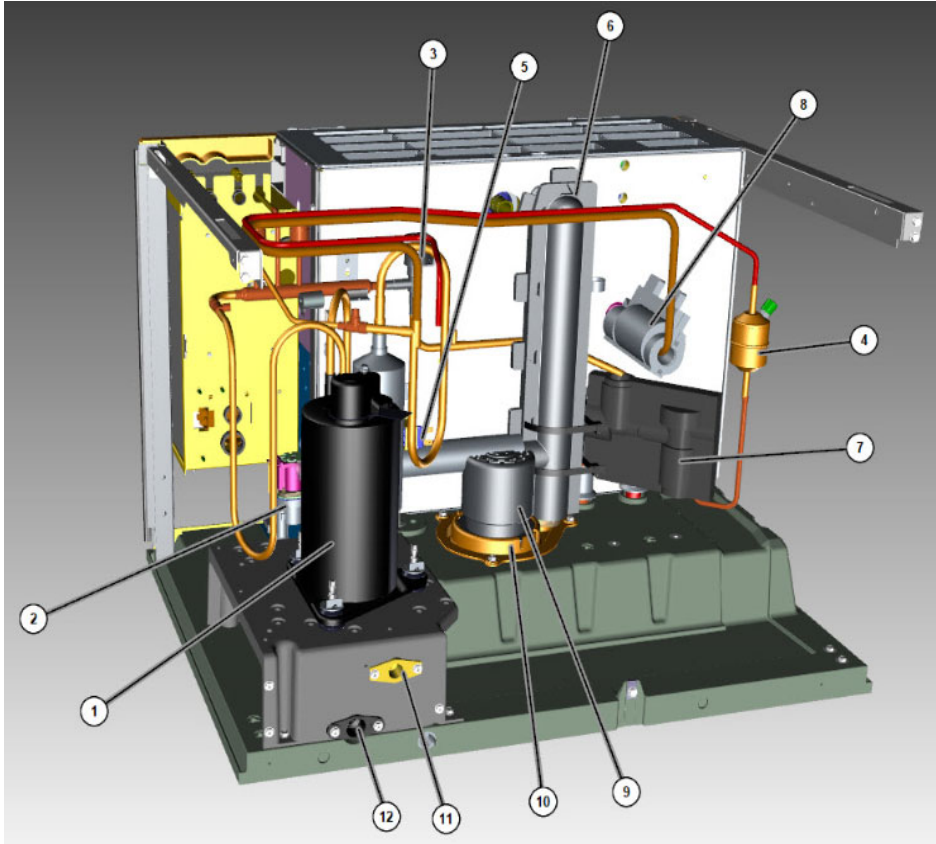


MoTak - PKM0335 Model

Refrigeration Compartment		
No.	Part No.	Description
1	000010460	Compressor - Samsung - 115V/60 Hz/1 Ph
1a	000012000	Accumulator
1b	000011999	Dual Tie Clamps - Plastic
2	000014062	Water Dump Valve - 115V/60 Hz
2a	6058459	Water Dump Valve Mounting Bracket
2b	4420383	Clear Tubing - 0.625" ID
3		Harvest Valve
3a	000007029	Solenoid Valve 0.375" x 0.375" with 115V/50-60 Hz Electrical Coil
3b	000005156	Solenoid Valve Coil Only - 115V/60 Hz
4	000015361	Drier with Access Port - 0.25"
5	000009120	Water Inlet Valve - 115V/60 Hz/1 Ph
6	000015402	Insulated Tube
6a	5650609	Snap Clamp - 1.0" ID
6b	5650709	Snap Clamp - 0.799"/0.899" ID
7	000015014	Expansion Valve
7a	000002719	Valve Insulation Boot - Bulb
8	4000403	Insulation Boot - Valve Body
8a	5650529	Clamp - Expansion Valve Bulb
8b	3000833	Strap - Expansion Valve Bulb - 0.375"
9	2008929-ORA	Water Pump - 115V/60 Hz
10	000010244	Water Pump Mount
11	8706093	Female Wing Adapter - 0.375"
11a	1360961	Male Connector
12	000005423	Female Wing Adapter - 0.5"
12a	000001382	Vinyl Tubing 0.625" ID
12b	6038831	Insulation - 0.88" ID x 0.25" W x 13.5" L
12c	5650709	Snap Clamp - 0.799"/0.899" ID
13	000008346	Compressor Mounting Base
14	000010851	Rubber Grommet
15	000001194	Retaining Clip
16	000010759	Standoff Stud
17	5202069	Screw - #10-24 x 0.5" HEX
18	000011505	Terminal Cover
18a	000011506	Terminal Cover Gasket
18b	000010854	Terminal Cover Nut
19	000014152	Heat Exchanger

MoTak - PKM0335 Model

Refrigeration Compartment

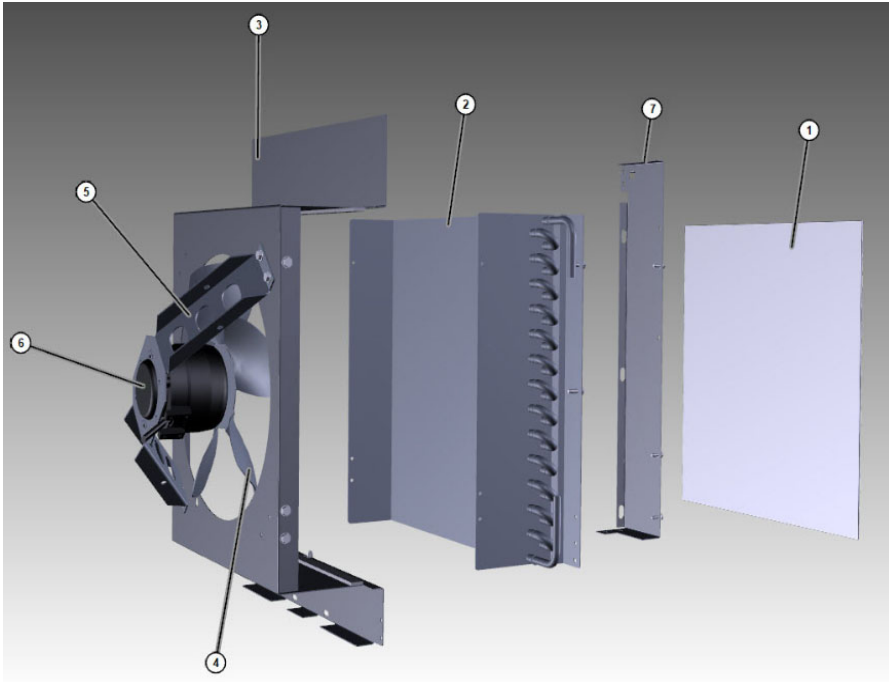


MoTak - PKM0335 Model

Air-cooled Components		
No.	Part No.	Description
1	3005699	Air Filter - 14.0" x 12.78"
2	000010602	Air Condenser
3	6065469	Fan Shroud
4	2416223	Fan Blade
4a	000000936	Mounting - Nut
5	000010977	Fan Motor Bracket
6	2412813	Fan Motor - 115V/60 Hz
6a	5033589	Screw - Fan Motor
7	000011329	Left Corner Post
8	5202069	Screw - #10-24 x 0.5" HEX

MoTak - PKM0335 Model

Air-cooled Components

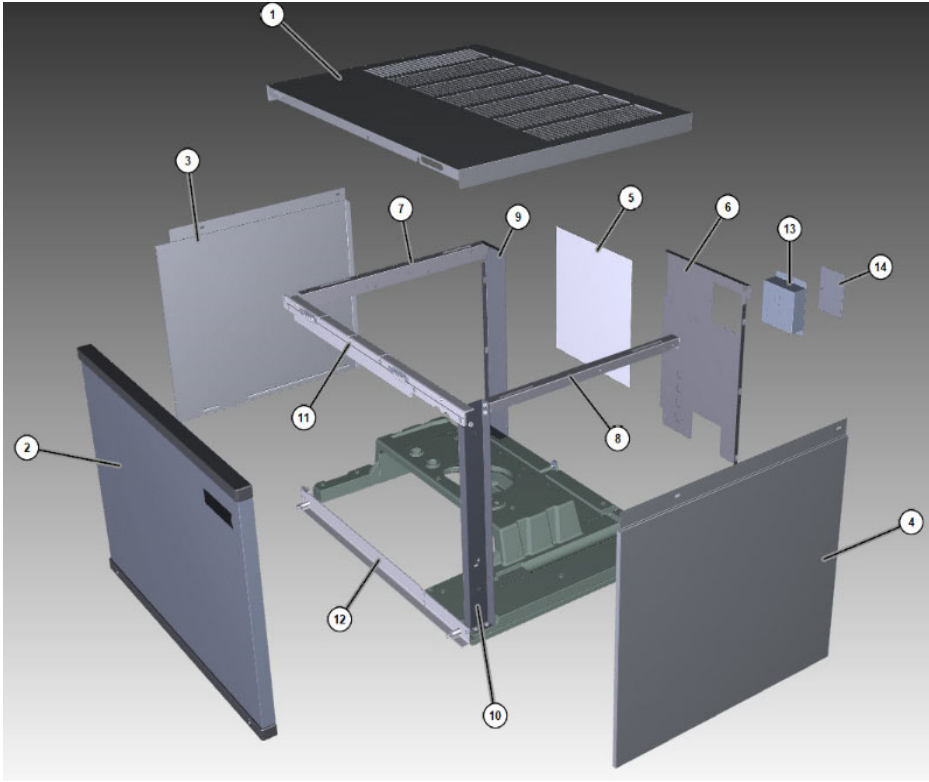


MoTak - PKM0335 Model

Panels		
No.	Part No.	Description
1	000000480	Top Cover
2	000016495	Front Panel
2a	000010600	Door - Drip Lip
2b	000010294	Door Seal
2c	000010293	Front Panel Mounting Brackets
2d	000008023	Screw - #8-32 x 0.875"
3	000016433	Left Side Panel
4	000016434	Right Side Panel
5	3005699	Air Filter - 14.0" x 12.78"
6	000010670	Back Panel - Air-cooled
7	6068649	Left Top Channel
8	6062571	Right Top Channel
9	000011329	Left Corner Post
10	000011326	Right Corner Post
11	000010269	Front Top Support
12	000010268	Bottom Door Frame
12a	000001127	Tapping Plate - Door Hinge Screws
13	6067289	Rear Connection Box
14	6067299	Cover - Rear Connection Box
15	5202169	Screw - #10-24 x 0.5" Ground
16	5005099	Screw - #10-16 x 0.625"
17	5202099	Screw - #10-24 x 0.5" PHIL
18	000016499	Cartoning

MoTak - PKM0335 Model

Panels

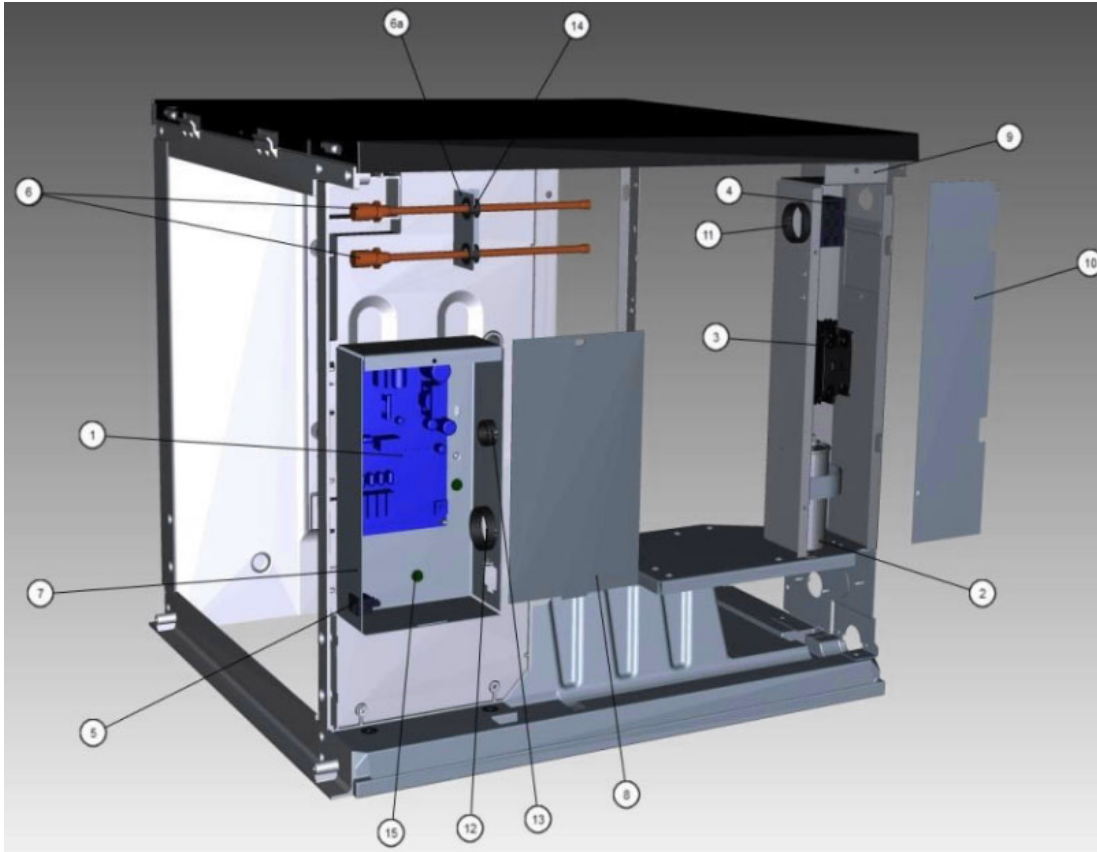


MoTak - PKM0425 Model

Control Box		
No.	Part No.	Description
1	000015302	Control Board Assembly
1a	000015010	Fuse - 3.15A
1b	4302253	Control Board Mounting Supports
2	000010708	Run Capacitor - 115-230V/50-60 Hz/1 Ph
2a	000010711	Bracket - Run Capacitor
3	2006589	Contactora - 115V/60 Hz/1 Ph
4		Not Used
5	2007939	Toggle Switch
6	8373263	Refrigeration Service Valve Assembly - 0.375"
6a	000011548	Bracket - Refrigeration Service Valves
7	000014565	Control Box
8	000014566	Control Box - Cover
9	000016055	Start Component Box
10	000011479	Cover - Start Component Box
11, 12	2500019	Bushing - 1.187"
13	2501409	Bushing - 0.875"
14	2502189	Bushing - 0.625"
15	5202169	Screw - #10-24 x 0.5" Ground
16	5202069	Screw - #10-24 x 0.5" HEX
16a	5573209	Star Washer
17	000013974	Control Box Wiring Harness - 115V/60 Hz/1 Ph
18	000011182	Wiring Harness - Compressor - Samsung
19	000007185	Wiring Harness - Compressor Compartment - Air-cooled
20	000010511	Wiring Harness - Float Switch to Control Box
21	000010724	Wiring Harness - Toggle Switch
22	000011170	Manifold Strainer
22a	000010699	Grommet - Manifold Strainer
23	000013531	Fan Cycling Control - 335-275 psig
24	000013576	High Pressure Cut-out

MoTak - PKM0425 Model

Control Box

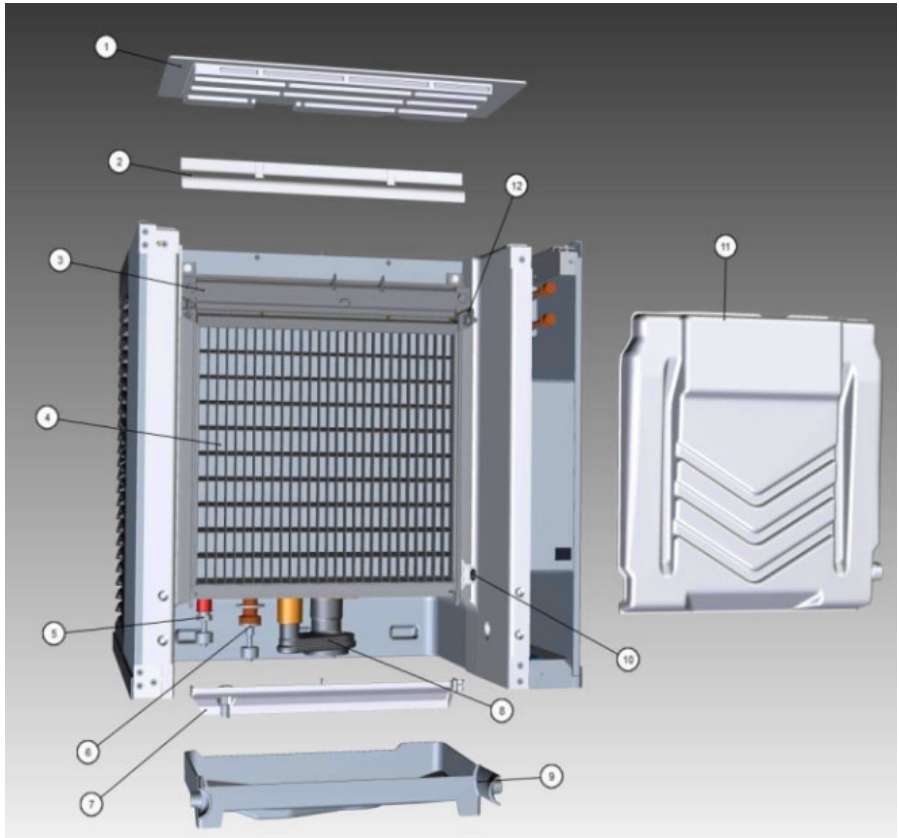


MoTak - PKM0425 Model

Evaporator Compartment		
No.	Part No.	Description
1	000009188	Foodzone Seal Panel
2	6065389	Evaporator Top Filler Panel
2a	5202099	Screw - #10-24 x 0.5" PHIL
3	000016391	Water Distribution Tube - 22"
3a	5004799	Thumbscrew SS - #8-32 x 0.375"
3b	5004629	O-Ring - 0.125" ID
4		Evaporator
4a	000016501	Evaporator - Dice Cube
4b	000016502	Evaporator - Half Dice Cube
5	000012651	Ice Thickness Float
5a	000010630	Bracket - Ice Thickness Float
6	000012649	Harvest Float
6a	000010818	Bracket - Harvest Float
7	000016403	Water Diverter - 22" Models
7a	5305123	Thumbscrew SS - #8-32 x 0.44"
8	2008929-ORA	Water Pump - 115V/60 Hz
8a	5004659	Water Pump Base O-Ring - 4.00" ID
8b	5004679	Water Pump Outlet O-Ring - 0.875" ID
8c	000010244	Water Pump Mount
9	000016401	Water Trough
10	000010510	Magnetic Bin Switch
11	4011189	Water Curtain
12	000016507	Evaporator Top Frame Assembly
13	5004619	Screw - #12-16 x 0.687"

MoTak - PKM0425 Model

Evaporator Compartment

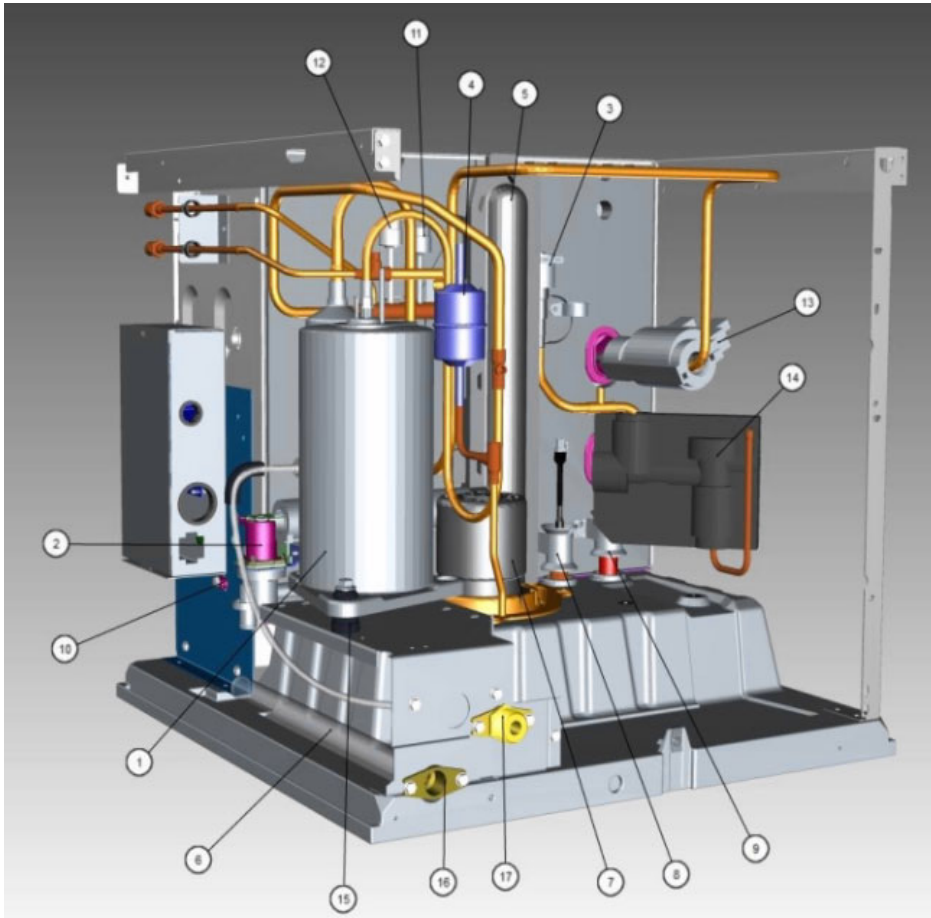


MoTak - PKM0425 Model

Refrigeration Compartment		
No.	Part No.	Description
1		Compressor
1a	000010315	Compressor - Samsung - 115V/60 Hz/1 Ph
2	000014062	Water Dump Valve - 115V/60 Hz
2a	6058459	Water Dump Valve Mounting Bracket
3		Harvest Valve
3a	000007029	Solenoid Valve 0.375" x 0.375" with 115V/50-60 Hz Electrical Coil
3b	000005156	Solenoid Valve Coil Only - 115V/60 Hz
4	000015361	Drier with Access Port - 0.25"
5	000015334	Insulated Tube
5a	5650609	Snap Clamp - 1.0" ID
5b	5650709	Snap Clamp - 0.799"/0.899" ID
6	000001382	Vinyl Tubing 0.625" ID
6a	6038831	Insulation - 0.88" ID x 0.25" W x 13.5" L
6b	5650709	Snap Clamp - 0.799"/0.899" ID
7	2008929-ORA	Water Pump - 115V/60 Hz
7a	000010244	Water Pump Mount
8	000012649	Harvest Float
8a	000010818	Bracket - Harvest Float
9	000012651	Ice Thickness Float
9a	000010630	Bracket - Ice Thickness Float
10	000010510	Magnetic Bin Switch
11	000013576	High Pressure Cut-out
12	000013531	Fan Cycling Control - 335-275 psig
13	000002719	Valve Insulation Boot - Bulb
13a	5650529	Clamp - Expansion Valve Bulb
13b	3000833	Strap - Expansion Valve Bulb - 0.375"
14	000015013	Expansion Valve
14a	000012443	Valve Insulation Boot - Body
15		Compressor Mounting
15a	5005009	Compressor Mounting Nut
15b	000010698	Rubber Grommet
15c	5000109	Metal Sleeve
15d	000015355	Compressor Mounting Base
16	000005423	Female Wing Adapter - 0.5"
17	8706093	Female Wing Adapter - 0.375"
17a	1360961	Male Nylon Connector
18	000009120	Water Inlet Valve - 115V/60 Hz/1 Ph
19	000011505	Terminal Cover
19a	000011506	Terminal Cover Gasket
19b	000010854	Terminal Cover Nut
20	000014071	Heat Exchanger

MoTak - PKM0425 Model

Refrigeration Compartment

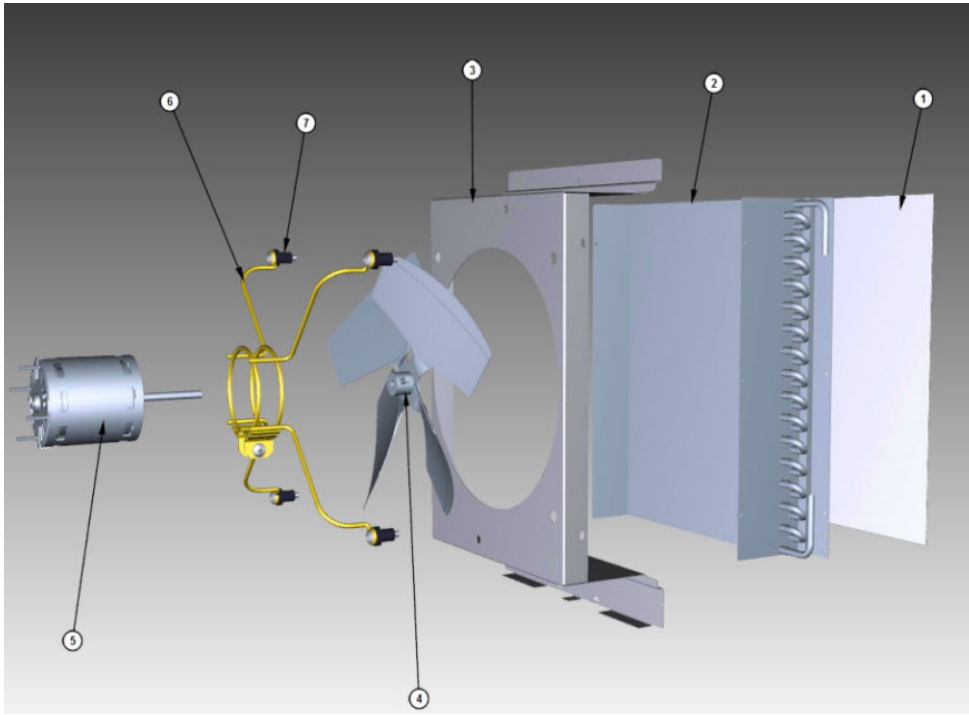


MoTak - PKM0425 Model

Air-cooled Components		
No.	Part No.	Description
1	3005939	Air Filter - 16.8" x 12.81"
2	000008832	Air Condenser
3	000014015	Fan Shroud
4	2416203	Fan Blade
5	2412929	Fan Motor - 115V/60 Hz/1 Ph
6	000014018	Fan Motor Bracket
7		Fan Motor Mounting
7a	5033589	Screw
7b	5429559	Rubber Wellnut
7c	5429529	Mounting - Hexnut

MoTak - PKM0425 Model

Air-cooled Components

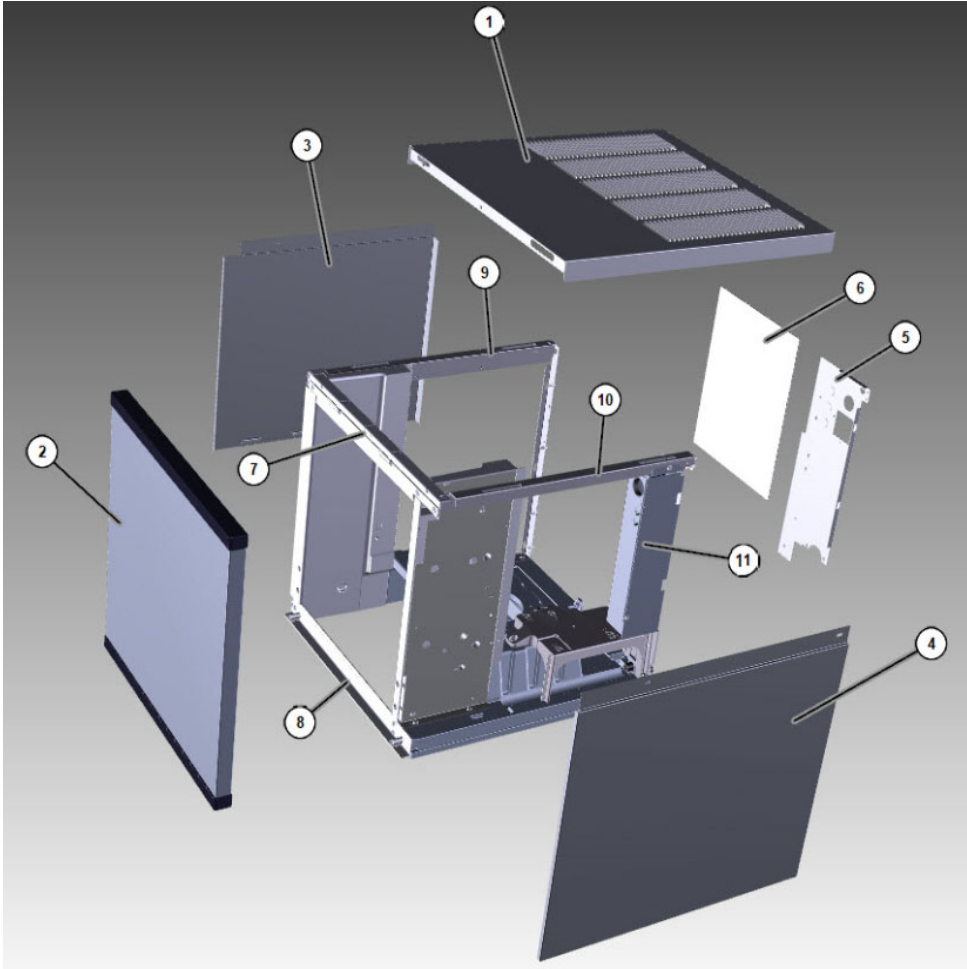


MoTak - PKM0425 Model

Panels		
No.	Part No.	Description
1	000010261	Top Cover
2	000016496	Front Panel
2a	000010945	Door - Drip Lip
2b	000010293	Front Panel Mounting Brackets
2c	000008023	Screw - #8-32 x 0.875"
2d	000010296	Door Seal
3	000016433	Left Side Panel
4	000016434	Right Side Panel
5	000014394	Back Panel - Air-cooled
6	3005939	Air Filter - 16.8" x 12.81"
7	000010721	Front Top Support
8	000010720	Bottom Door Frame
8a	000001127	Tapping Plate - Door Hinge Screws
9	6068649	Left Top Channel
10	000010981	Right Top Channel
11	000016055	Start Component Box
11a	000011479	Cover - Start Component Box
11b	6063999	Electrical Connection Box Cover
11c	5202169	Screw - #10-24 x 0.5" Ground
12	000011100	Left Corner Post
13	000012417	Compressor Mounting Base
14	5005099	Screw - #10-16 x 0.625"
15	5202099	Screw - #10-24 x 0.5" PHIL
16	000016500	Cartoning

MoTak - PKM0425 Model

Panels

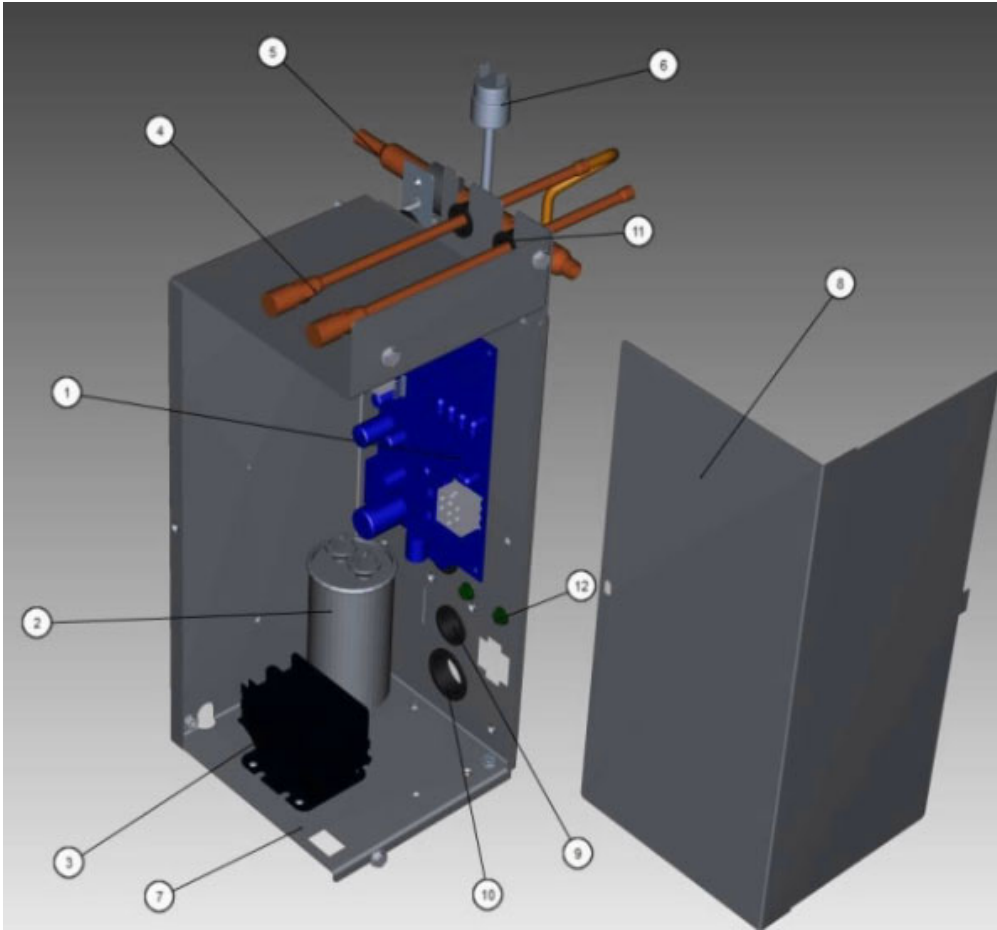


MoTak - PKM0535 Model

Control Box		
No.	Part No.	Description
1	000015302	Control Board Assembly
1a	000015010	Fuse - 3.15A
1b	4302253	Control Board Mounting Supports
2	000005488	Run Capacitor - 115-230V/50-60 Hz/1 Ph
2a	000010711	Bracket - Run Capacitor
3	2006589	Contactora - 115V/60 Hz/1 Ph
4	8373263	Refrigeration Service Valve Assembly - 0.375"
5	000011170	Manifold Strainer
5a	6058571	Bracket - Access Valves/Manifold Strainer
5b	000010699	Grommet - Manifold Strainer
6	000013576	High Pressure Cut-out
7	000013819	Control Box
8	000012138	Control Box Cover
9	2501409	Bushing - 0.875"
10	2500019	Bushing - 1.187"
11	2502189	Bushing - 0.625"
12	5202169	Screw - #10-24 x 0.5" Ground
13	000014323	PTCR - 12A
13a	8505013	PTCR Mounting Bracket
13b	5004129	Screw - #6 x 0.5"
14	2007939	Toggle Switch
14a	000010724	Wiring Harness - Toggle Switch
15	000013531	Fan Cycling Control - 335-275 psig
16	5202069	Screw - #10-24 x 0.5" Hex
17	5573209	Star Washer
18	000013969	Control Box Wiring Harness - 115V/60 Hz/1 Ph
19	000007185	Wiring Harness - Compressor Compartment - Air-cooled
20	000011182	Wiring Harness - Compressor - Samsung
21	000010511	Wiring Harness - Float Switch to Control Box

MoTak - PKM0535 Model

Control Box

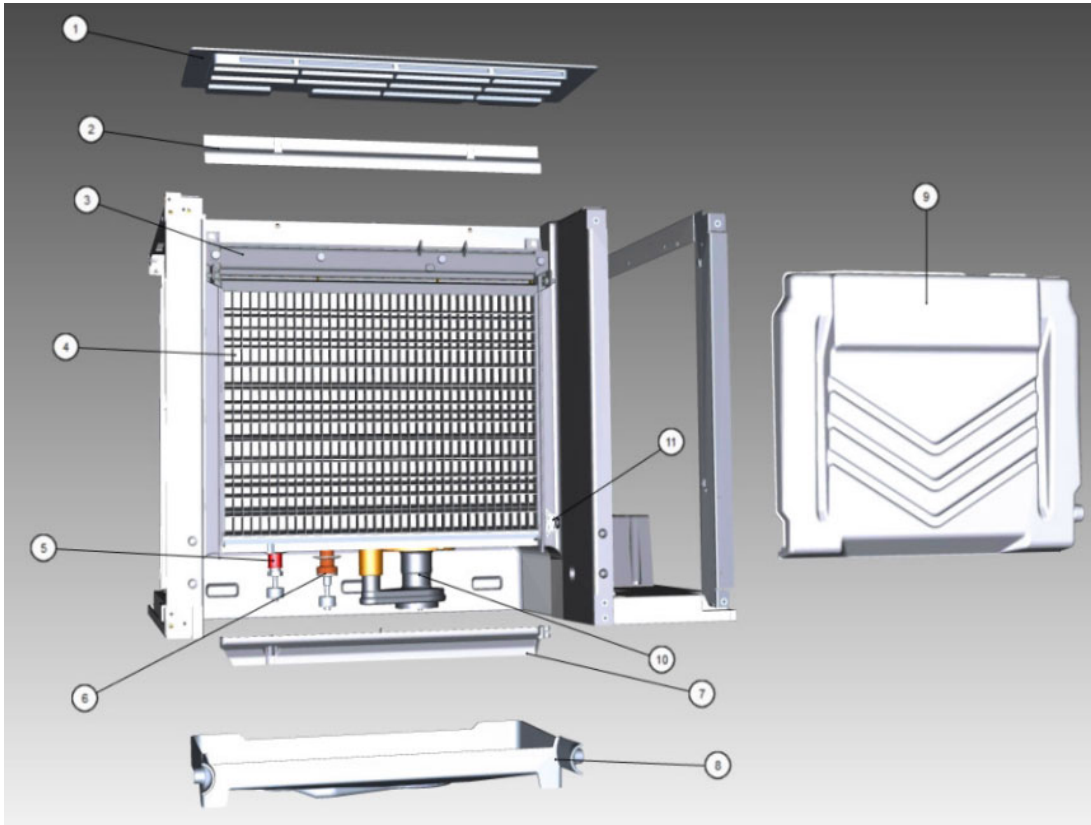


MoTak - PKM0535 Model

Evaporator Compartment		
No.	Part No.	Description
1	000009055	Foodzone Seal Panel - 30"
2	4008469	Evaporator Top Filler Panel
2a	5202099	Screw - #10-24 x 0.5" PHIL
3	000016397	Water Distribution Tube - 30"
3a	5004799	Thumbscrew SS - #8-32 x 0.375"
3b	5004629	O-Ring - 0.125" ID
4		Evaporator Assembly
4a	000016505	Evaporator - Dice Cube
4b	000016506	Evaporator - Half Dice Cube
4c	5004619	Screw - #12-16 x 0.687"
5	000012651	Ice Thickness Float
5a	000010630	Bracket - Ice Thickness Float
6	000012649	Harvest Float
6a	000010818	Bracket - Harvest Float
7	000016402	Water Diverter - 30" Models
7a	5305123	Thumbscrew SS - #8-32 x 0.44"
8	000016400	Water Trough
9	4010979	Water Curtain
10	8251129	Water Pump - 115V/60 Hz
10a	000010244	Water Pump Mount
10b	5004659	Water Pump Base O-Ring - 4.00" ID
10c	5004679	Water Pump Outlet O-Ring - 0.875" ID
11	000010510	Magnetic Bin Switch
12	000016508	Evaporator Top Frame Assembly

MoTak - PKM0535 Model

Evaporator Compartment

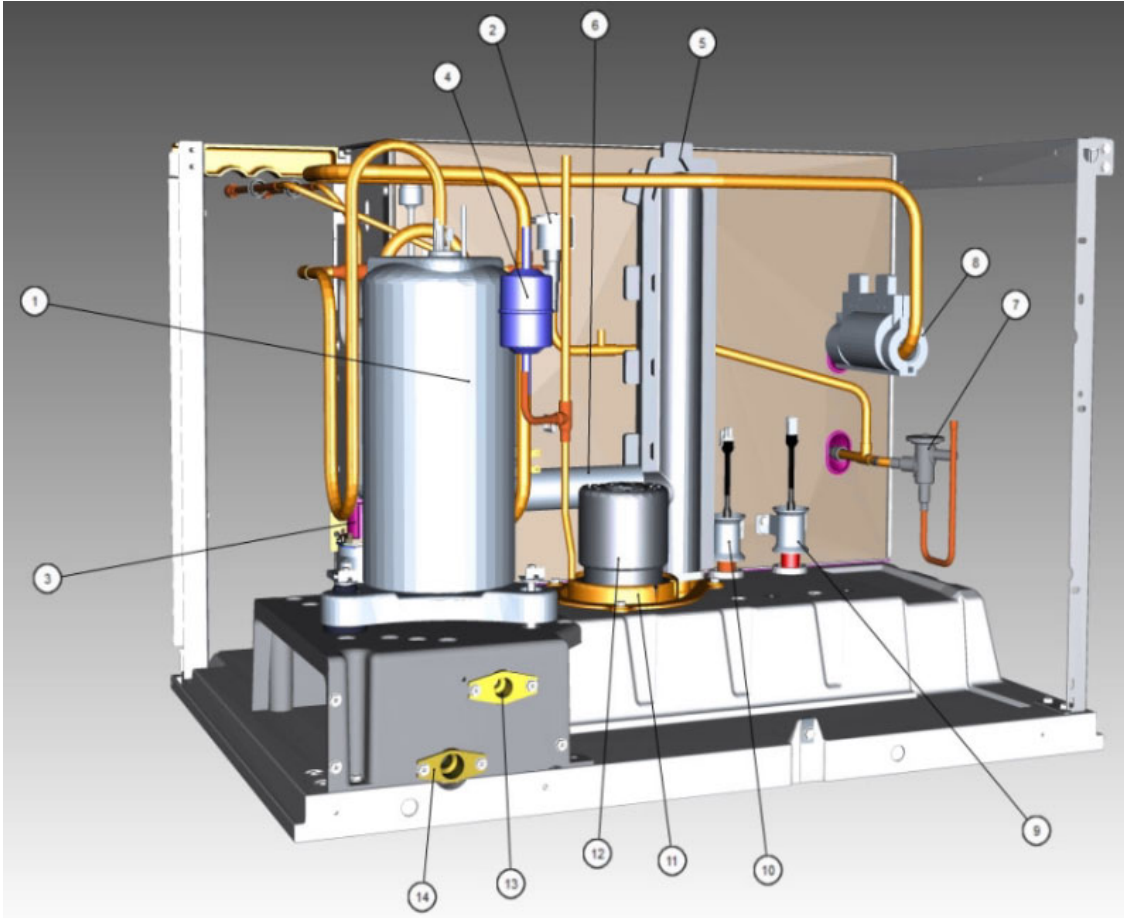


MoTak - PKM0535 Model

Refrigeration Compartment		
No.	Part No.	Description
1	000010462	Compressor - Samsung - 115V/60 Hz/1 Ph
1a	000011145	Overload Protector - 115V/60 Hz/1 Ph
2		Harvest Valve
2a	000007027	Solenoid Valve 0.375" x 0.375" Including 115V/60 Hz Electrical Coil
2b	000005156	Solenoid Valve Coil Only - 115V/60 Hz
3	000014062	Water Dump Valve - 115V/60 Hz
3a	6058459	Water Dump Valve Mounting Bracket
3b	4420383	Clear Tubing - 0.625" ID
4	000015361	Drier with Access Port - 0.25"
5,6	000015402	Insulated Tube
7	000015012	Expansion Valve
7a	000012443	Valve Insulation Boot - Body
8	000002719	Valve Insulation Boot - Bulb
9	000012651	Ice Thickness Float
9a	000010630	Bracket - Ice Thickness Float
10	000012649	Harvest Float
10a	000010818	Bracket - Harvest Float
11	000010244	Water Pump Mount
12	8251129	Water Pump - 115V/60 Hz
12a	5004659	Water Pump Base O-Ring - 4.00" ID
12b	5004679	Water Pump Outlet O-Ring - 0.875" ID
13	8706093	Female Wing Adapter - 0.375"
14	000005423	Female Wing Adapter - 0.5"
15	000009123	Water Inlet Valve - 115V/60 Hz/1 Ph
15a	4420291	Tygon Tube - 0.25" OD
15b	4010439	Tubing - Water Inlet Valve
15c	1360989	Connector - Water Inlet Valve
16	5650609	Snap Clamp - 1.0" ID
17	5650709	Snap Clamp - 0.799"/0.899" ID
18	000001382	Vinyl Tubing 0.625" ID
18a	6038831	Insulation - 0.88" ID x 0.25" W x 13.5" L
19	1360961	Male Connector
20	5650529	Clamp - Expansion Valve Bulb
21	3000833	Strap - Expansion Valve Bulb - 0.375"
22	5202069	Screw - #10-24 x 0.5" HEX
23	000008346	Compressor Base
24	000011505	Terminal Cover
24a	000011506	Terminal Cover Gasket
24b	000010854	Terminal Cover Nut
25	000014154	Heat Exchanger

MoTak - PKM0535 Model

Refrigeration Compartment

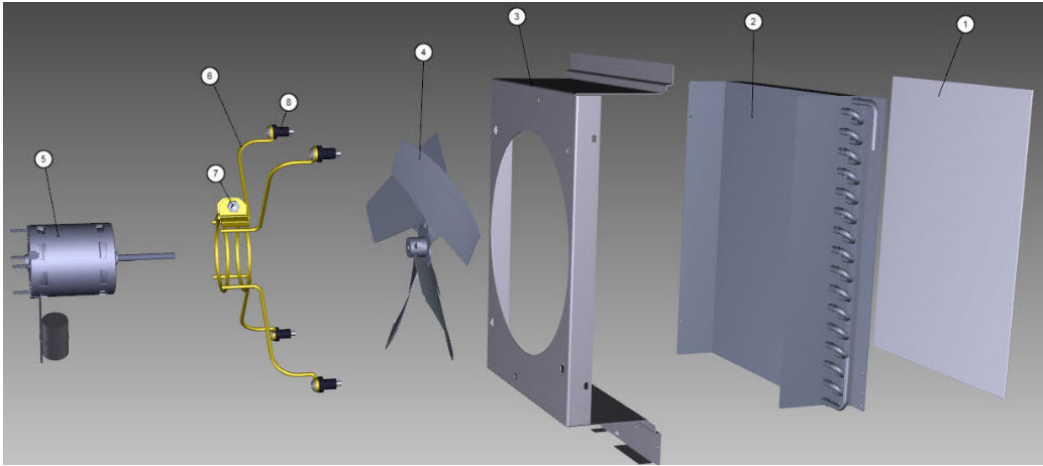


MoTak - PKM0535 Model

Air-cooled Components		
No.	Part No.	Description
1	3005569	Air Filter - 14.29" x 16.94"
2	000008850	Air Condenser
3	000013957	Fan Shroud
4	2416203	Fan Blade
5	000014018	Fan Motor Bracket
6	2412929	Fan Motor - 115V/60 Hz/1 Ph
7		Fan Motor Mounting
7a	5033589	Screw
7b	000000936	Mounting - Nut
8	5202069	Screw - #10-24 x 0.5" HEX
9	000013531	Fan Cycling Control - 335-275 psig
10	000002764	Insulation - Manifold Tee to Condenser

MoTak - PKM0535 Model

Air-cooled Components

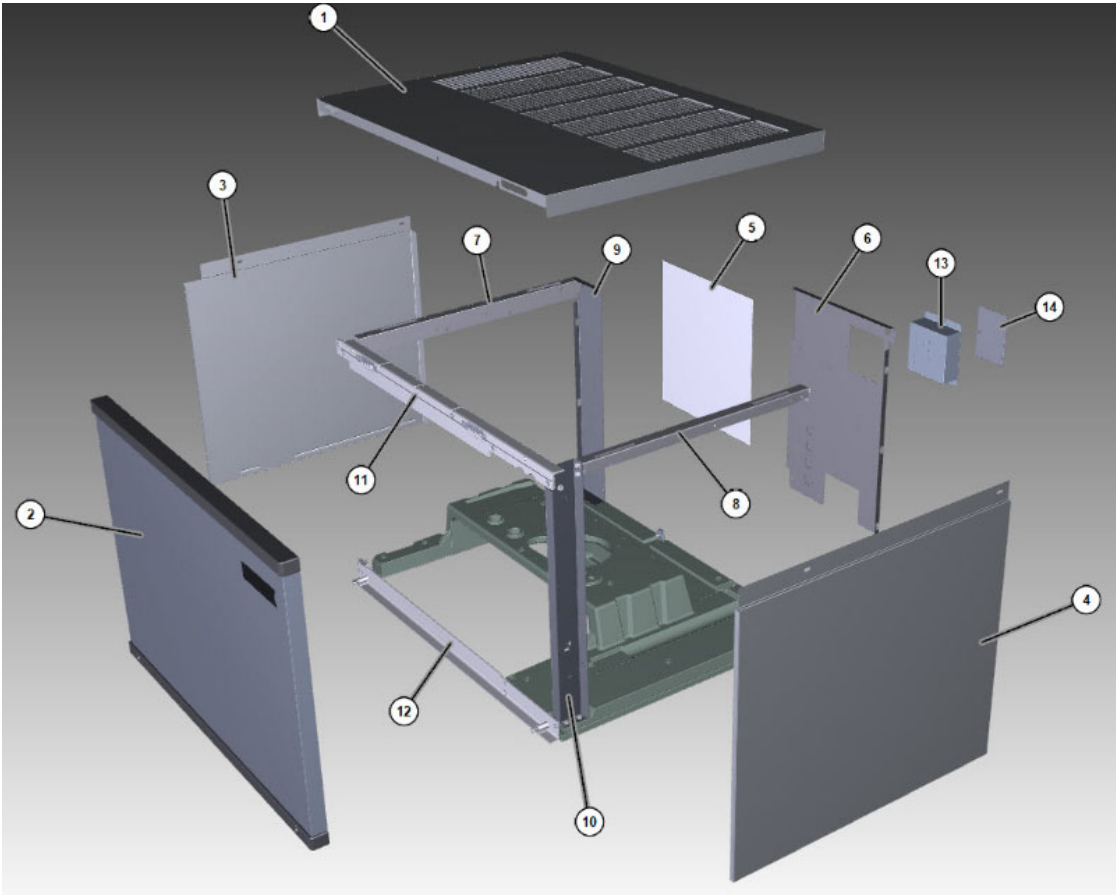


MoTak - PKM0535 Model

Panels		
No.	Part No.	Description
1	000000480	Top Cover
2	000016495	Front Panel
2a	000010600	Door - Drip Lip
2b	000010294	Door Seal
2c	000010293	Front Panel Mounting Brackets
2d	000008023	Screw - #8-32 x 0.875"
3	000016433	Left Side Panel
4	000016434	Right Side Panel
5	3005569	Air Filter - 14.29" x 16.94"
6	000011086	Back Panel - Air-cooled
7	6068649	Left Top Channel
8	6062571	Right Top Channel
9	000011100	Left Corner Post
10	000011326	Right Corner Post
11	000010269	Front Top Support
12	000010268	Bottom Door Frame
12a	000001127	Tapping Plate - Door Hinge Screws
13	6067289	Rear Connection Box
14	6067299	Cover - Rear Connection Box
15	5202099	Screw - #10-24 x 0.5" PHIL
16	5202169	Screw - #10-24 x 0.5" Ground
17	5005099	Screw - #10-16 x 0.625"
18	000016499	Cartoning

MoTak - PKM0535 Model

Panels

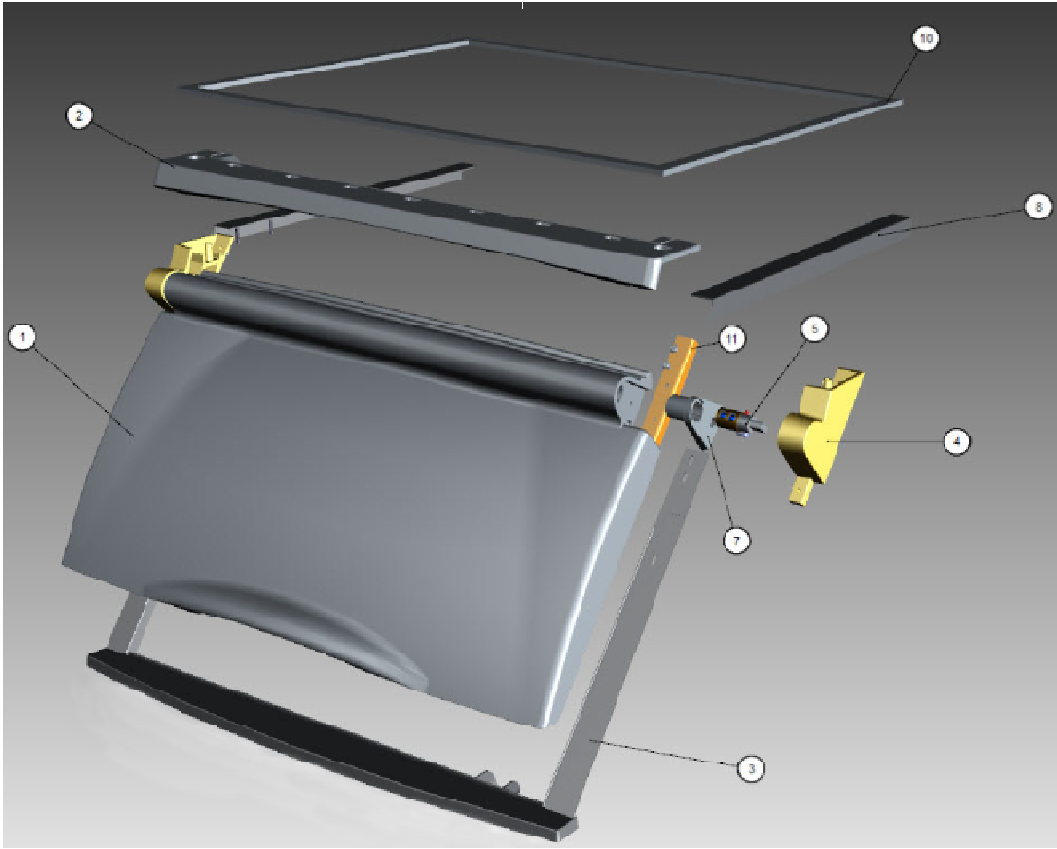


MoTak - PKB0425 Model

Bin Door			
No.	Part No.	Qty	Description
1	000012187		Bin Door
2	040005731		Top Rail
2a	5000373		Screw - #10-24 x 0.5" PHIL
3	000012477		Bin Door Trim - 22"
4	000015342		Door Bracket Kit
5	000012227	2	Door Pin Socket
5a	040001055	2	Door Pin Sleeve
7	040003568	2	Door Hinge Assembly
7a	5000373		Screw - #10-24 x 0.5" PHIL
8	000012229		Bin Rail Trim
9	000013392		Bottom Trim - 97" (includes tape)
10	9202483		Foam Tape - 1'
11	000011601		Tapping Plate - Door Bracket
12	K00441		Legs
13	000016497		Cartoning
14	4011229		Ice Deflector - 22"
15	000015240		Drain Seal Replacement Kit
16	3302593		Ice Scoop

MoTak - PKB0425 Model

Bin Door

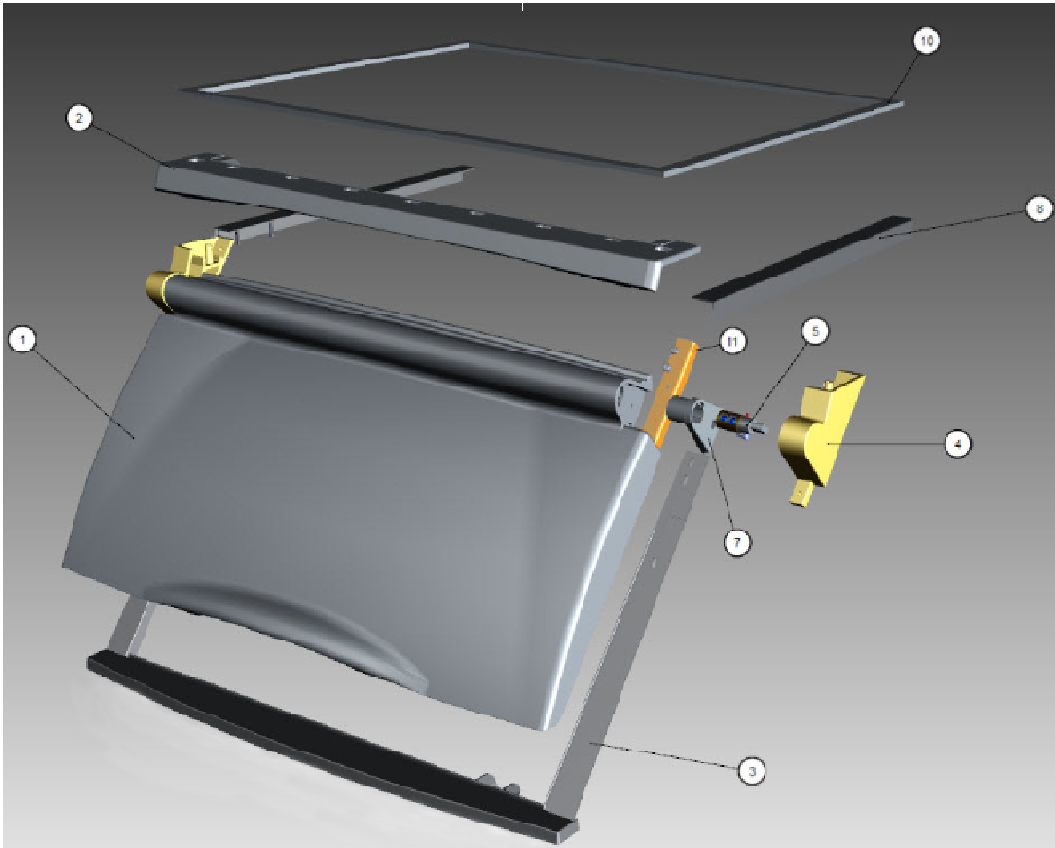


MoTak - PKB0535 Model

Bin Door			
No.	Part No.	Qty	Description
1	000012188		Bin Door
2	040005730		Top Rail
2a	5000373		Screw - #10-24 x 0.5" PHIL
3	000012478		Bin Door Trim - 30"
4	000015343		Door Bracket Kit
4s	000012226	2	Door Bracket
5	000012227	2	Door Pin Socket
5a	040001055	2	Door Pin Sleeve
7	040003568	2	Door Hinge Assembly
7a	5000373	2	Screw - #10-24 x 0.5" PHIL
8	000012229		Bin Rail Trim
9	000013392		Bottom Trim - 97" (includes tape)
10	9202483		Foam Tape - 1'
11	000011601		Tapping Plate - Door Bracket
12	K00441		Legs
13	000016498		Cartoning
14	4011219		Ice Deflector - 30"
15	000015240		Drain Seal Replacement Kit
16	3302593		Ice Scoop

MoTak - PKB0535 Model

Bin Door





KaTom - 305 KaTom Drive, Kodak, Tennessee 37764
1-800-648-6398
12/2020_Rev02