

MODULAR BASE WITH KETTLES

300M BTU GAS-FIRED STEAM BOILER WITH NICKELGUARD™,
TWO 10 GALLON KETTLES,
CABINET BASE: 36" (900MM) WIDE

Project _____
Item _____
Quantity _____
FCSI Section 11400 _____
Approved _____
Date _____

Models

- 36-GM-K1010-300



Standard Features

- Factory assembled Kettle/Steam Boiler NickelGard Base combination with two 10 gallon kettles with 300M BTU Gas-Fired Steam Boiler
- Solid State steam boiler Water Level Controls
- Low Water Safety Cut-Off
- Pressure Limit Controls with 15 psi Safety Valve
- Type 430 Stainless Steel exterior enclosure, and table top (with Drain Trough which has 1.50" diameter male drain), #4 exterior finish
- Type 304 Stainless kettles, #4 exterior finish
- Separate "Start/Reset" Illuminated Switch Controls, plus Pressure Gauge
- Solid State Electronic Spark Ignition for energy savings
- Major components serviceable from the front of the unit
- 10 gallon kettles are 2/3 Steam Jacketed and include Lift-off Covers and Splash Guard
- Hot and Cold Water Faucet with Swing Spout
- Kettles have 50 psi Steam Jacket Rating, 50 psi chrome plated Safety Valves and Manual Tilting, balanced design
- Tilt Handles can be mounted on right side
- Steam Boiler empties under pressure (blowdown) automatically upon each Shut-Down, Automatic Water Refill on Start-Up
- Standard voltage for controls is 115 volt, 60 Hz, single phase
- 6" Stainless Steel Legs with Adjustable Flanged Feet (FF-A)
- Secondary Low Water Cut-Off, factory installed (CALG) (Required for AZ. AR. CA. CO. CT. DE. FL. GA. HI. IL. IA. KS. MD. MA. MI. MN. MT. NE. NV. NM. NC. OK. OR. PR. RI. TN. UT. VA. WA. WV., Buffalo, NY, Wash. DC)
- Stainless Steel Base Frame (FSS)

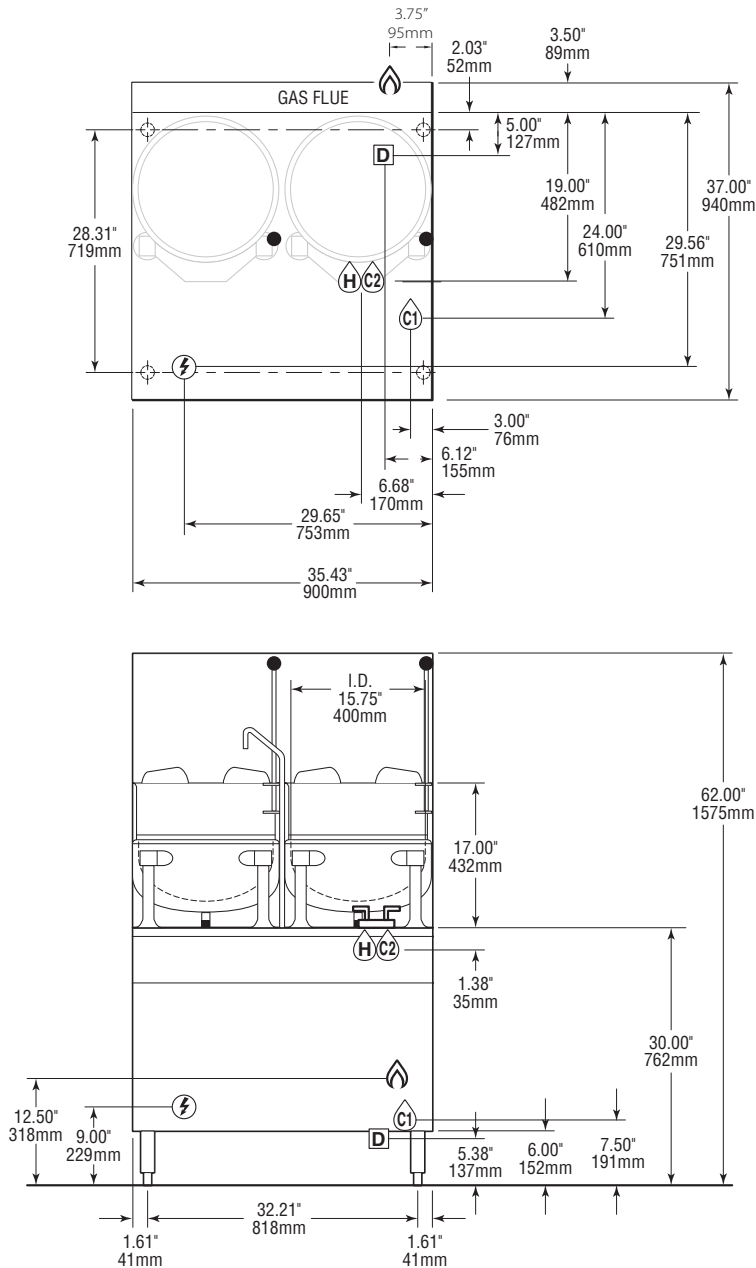
Short Form Specifications

Shall be CLEVELAND, Modular Cabinet Base with two 10 gallon kettles, Model 36-GM-K1010 -____, 200M or 300M BTU Nickelguard™ Gas-Fired Steam Boiler, type 430 Stainless Steel exterior enclosure, Table Top, Back Splash and 4 level adjustable feet. 2/3 Steam Jacketed type 304 Stainless Steel kettles with 50 psi Steam Jacket Rating. Console mounted Controls, Pressure Gauge and Illuminated "Start/Reset" Control Switches. Solid State Water Level Steam Boiler Controls and Electronic Spark Ignition. Steam Boiler drains under pressure (blowdown) after each Shut-Down with Automatic Water Refill on Start-Up. 15 psi Safety Valve

Options & Accessories

- Power Take-Off Kit (GPTO)
- Gas, other than natural
- Type 316 Stainless Steel kettle interior for high acid food products (316)
- Food Strainers (FS)
- -Boiler Descaling Pump Kit (107142)

KE004046-121



WATER QUALITY REQUIREMENTS (Boilers, Generators)	
TTDS:	50-250 ppm
Hardness:	50 - 200 mg (3 - 12 gpg)
pH value:	7.0 - 8.5
CL (Chloride):	max 50 ppm
Cl ₂ (free chlorine):	max 0.1 ppm
SiO ₂ (silica):	max 13 ppm
NH ₂ Cl: (mono-chloramine)	max 0.1 ppm
Total Alkalinity:	50 - 100 ppm

CAPACITIES: (in 4 oz. servings,
other sizes may be calculated.)
10 Gallon / 36 liters320 servings

ELECTRIC ⚡

50 watts for boiler
115 V-1 PH
** Do not connect to GFI outlet. See note below.

WATER C1 C2

C1: 1/4" IPS Cold water for boiler
C2: 3/8" NPT Cold water for faucet
C2: 3/8" NPT Hot water for faucet

DRAIN D

1 1/2" IPS Common Drain
The floor drain must be located outside the confines of the equipment.
Do not connect to any other drain.

GAS 🔥

NATURAL	PROPANE
3/4" IPS for 200,000	3/4" IPS for 200,000
1.00" IPS for 300,000	1.00" IPS for 300,000
Supply Pressure	Supply Pressure
4.00" W.C. Minimum	12.00" W.C. Minimum
14.00" W.C. Maximum	14.00" W.C. Maximum

CLEARANCES

Right: 6.00"
Left: 6.00"
Rear: 6.00"

NOTES:
Cleveland Range reserves right of design improvement or modification, as warranted.
Many regional, state and local codes exist and it is the responsibility of the owner and installer to comply with the codes.
Cleveland Range equipment is built to comply with applicable standards for manufacturers. Included among those approval agencies are U.L./NSF#4 and CSA (AGA, CGA).

(NOT TO SCALE)