

Project _____
 Item _____
 Quantity _____
 FCSI Section 11400 _____
 Approved _____
 Date _____

FLOOR TYPE, LEVER TILT

ELECTRIC KETTLES, TILTING, "SPASH PROOF SERIES", SELF-CONTAINED 2/3 STEAM JACKETED, 20 GALLONS (80 LITERS)

Models

- KET-20-T



Standard Features

- Manual tilting, balanced design
- Self-contained, easily installed - needs only an electrical hook-up
- Steam jacket filled with treated water, venting and/or refilling is not required
- Accurate, constant solid state temperature controls (mechanical thermostat not as accurate) - less than $\pm 1^{\circ}\text{C}$ variance (ideal for simmering). Operating temperature range from 145° - 260°F (63°C - 127°C)
- Control panel includes:
 - LED indicator for heat cycle
 - LED indicator for low water
 - Power ON/OFF switch
 - Adjustable temperature control dial
- Large pouring lip for high capacity and chunky products
- Re-inforced rolled rim design prevents damage to kettle rim, eliminates "bar rim designs"
- Welded-in heating elements, (holds vacuum better, won't leak or lose water)
- Easily cleaned: kettle and all exterior surfaces are of type 304 stainless steel with an #4 finish
- Rear mounted easy access pressure gauge and pressure relief valve to prevent tampering. Color coded easy to read pressure gauge with "green" and "vent air zone"
- 50 psi steam jacket rating for higher cooking temperatures
- 50 psi safety valve
- Solid state water level control (no sight glass gauge to break or leak)
- Splash proof element cover with a double gasket seal
- 6" level adjustable feet
- Standard voltage is 208-240 volts, 60 Hz, 3-phase, 3-wire. Field rewirable for single-phase, 2-wire systems
- Typical approvals include UL, CSA, CE, NSF and ASME
- 316 Stainless Steel Interior
- IPX6 Water Rated.

Short Form Specifications

Shall be CLEVELAND, Electric, self-contained Kettle, Model KEL-20-T; 20 gallons, tilting, _____ KW, _____ volt, _____ Hz, _____ - phase, 2/3 jacketed type. Rated 50 psi with Safety Valve, Permanently filled Steam Jacket, Splash Proof Solid State Temperature ($\pm 1^{\circ}\text{C}$) and Safety Control System in plug-in Module including L.E.D. indicators. 316 Stainless Steel Interior. IPX6 Water Rated. (Optional Lift-Off Cover)

Options & Accessories

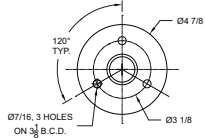
- Lift-off Cover (CL20)
- Meat Probe
- Double pantry faucet with swing spout and mounting bracket (DPK & FBKT)
- Voltage other than standard (VOS)
- Food Strainer (FS)
- Basket Strainer (BS-)
- Single pantry faucet with swing spout (SPK)
- High Wattage Operation (HW) (see back page)
- Kettle Accessory Kit (KAK)
 - Clean-up Brush (CB)
 - 36" Kettle Whip (KW)
 - Draw-off Brush (DB)
 - 36" Kettle Paddle (KP)
 - 36" Kettle Brush (KB)
 - 24 oz. Ladle (KL)
- Measuring Strip (MS)
- Kettle Markings (KM)
- Protective Control Panel (PCE)
- Optional Sliding Drain Drawer

KE004046-66

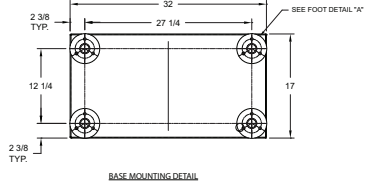
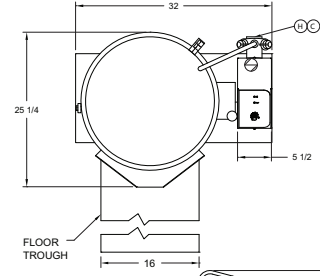
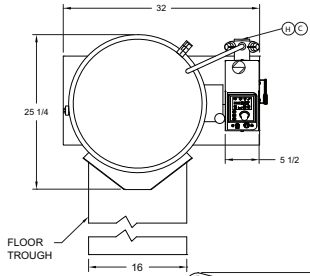
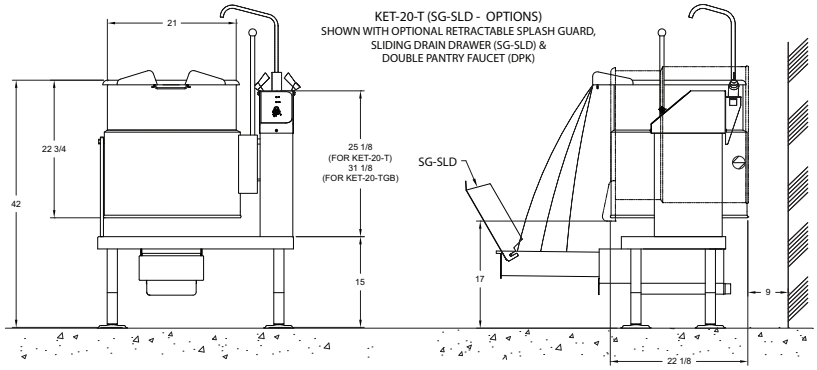
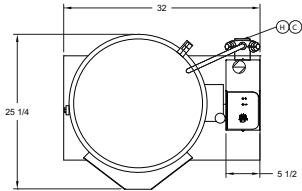
Shipping Weights & Dimensions

Model -
KET-20-T Weight - 273 lbs
Width - 38"
Depth - 38"
Height - 54"

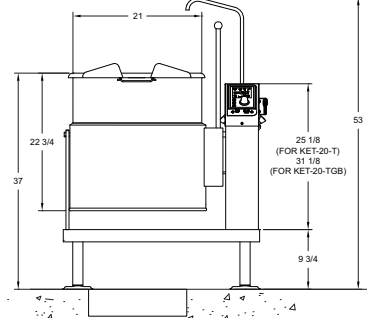
• CAPACITIES: (in 4 oz. servings, other sizes may be calculated)
20 Gallon / 80 liters 704 servings



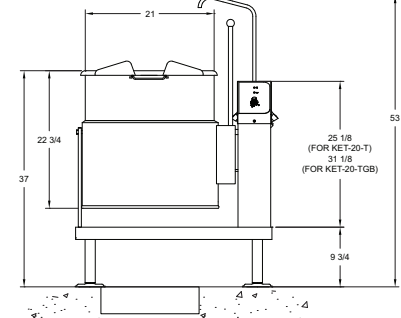
FOOT DETAIL "A"



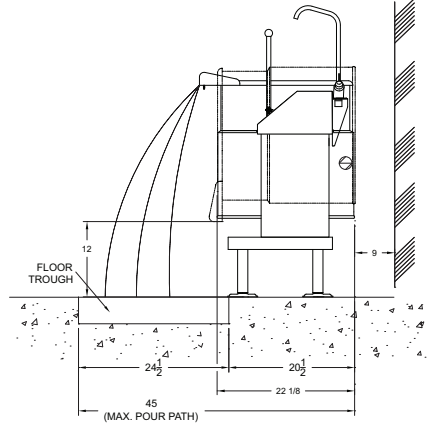
BASE MOUNTING DETAIL



KET-20-T (EDC/DPK/TCP2) - OPTION SHOWN WITH OPTIONAL EASY DIAL CONTROL (EDC), TEMPERATURE CONTROL PROBE (TCP2) DOUBLE PANTRY FAUCET (DPK) & ST STAND



KET-20-T (STANDARD) SHOWN WITH OPTIONAL DOUBLE PANTRY FAUCET (DPK) & ST STAND



ELECTRICAL

Std/High Wattage	Supply Voltage	Phase	Wires	Total Wattage	Supply Amps	Wire Size	Std/High Wattage	Supply Voltage	Phase	Wires	Total Wattage	Supply Amps	Wire Size
S	200-208	1	2	12268	59.0	4	H	200-208	1	2	14721	70.8	3
S	200-208	3	3	12268	34.1	8	H	200-208	3	3	14721	40.9	6
S	220-240	1	2	16333	68.1	4	H	220-240	1	2	19599	81.7	3
S	220-240	3	3	16333	39.3	6	H	220-240	3	3	19599	47.1	6
S	380-415	1	2	15072	36.2	8	H	380-415	1	2	18087	43.5	6
S	380-415	3	3	15072	20.9	10	H	380-415	3	3	18087	25.1	8
S	440	1	2	13724	31.2	8	H	440	1	2	16469	37.4	6
S	440	3	3	13724	18.0	10	H	440	3	3	16469	21.6	10
S	440-480	1	2	16333	34.0	8	H	440-480	1	2	19599	40.8	6
S	440-480	3	3	16333	19.6	10	H	440-480	3	3	19599	23.6	10

WATER
3/8" O.D. copper tube or 1/2" N.P.T. pipe.
When ordered with optional faucet.
DRAIN
1 1/2" N.P.T. pipe (for optional sliding drain drawer).

CLEARANCE
RIGHT = 0", LEFT = 0"
REAR = 6" (152mm)

NOTES:
Cleveland Range reserves right of design improvement or modification, as warranted.
Many regional, state and local codes exist and it is the responsibility of the owner and installer to comply with the codes.
Cleveland Range equipment is built to comply with applicable standards for manufacturers. Included among those approval agencies are U.L./NSF#4 and CSA (AGA, CGA).

(NOT TO SCALE)

Electric Kettles