

Project \_\_\_\_\_  
 Item \_\_\_\_\_  
 Quantity \_\_\_\_\_  
 FCSI Section 11400 \_\_\_\_\_  
 Approved \_\_\_\_\_  
 Date \_\_\_\_\_

## TABLE TYPE, ELECTRIC KETTLES

TILTING, "SPASH PROOF SERIES" SELF-CONTAINED, 2/3 STEAM JACKETED, 3, 6 OR 12 GALLONS (11, 23 OR 45 LITERS)

### Models

- KET-3-T    • KET-6-T
- KET-12-T



Shown with Standard Controls



Shown with easyDial and Core Temperature Probe options

### Standard Features

- Manual tilting, balanced design
- Self-contained, easily installed - needs only an electrical hook-up
- Steam jacket filled with treated water, venting and/or refilling is not required
- Accurate, constant solid state temperature controls - less than  $\pm 1^{\circ}\text{C}$  variance (ideal for simmering). Operating temperature range from 145° - 260°F (63°C - 127°C)

#### Standard Control Panel includes:

- LED indicator for heat cycle • LED indicator for low water
- Power ON/OFF Dial with 1-10 Temperature Dial Setting

#### easyDial Control Panel (optional) includes:

- Adjustable Temperature Control (C&F) • 99 Minute Adjustable Timer Setting • 3 Cooking Models, Cook/Simmer, Cook/On, Cook Off • 6-Built In Self Diagnostics & Display Readout • Core Temperature Probe (Optional)
- IXP6 rated water resistant
- Anti drip notch Large pouring lip for high capacity and chunky products.
- Re-inforced rolled rim design prevents damage to kettle rim, eliminates "bar rim designs"
- Welded-in heating elements, (holds vacuum better, won't leak or loose water)
- Easily cleaned: kettle and all exterior surfaces are of type 316 stainless steel with an #4 finish
- Rear mounted easy access pressure gauge and pressure relief valve to prevent tampering. Color coded easy to read pressure gauge with "green" and "vent air zone"
- 50 psi steam jacket rating for higher cooking temperatures
- Solid state water level control (no sight glass gauge to break or leak)
- Self locking marine type tilting mechanism prevents accidental spills. Balanced design makes it easy to tilt. (KET-6-T & KET-12-T only)
- Standard voltage is 208-240 volts, 60 Hz, 3 phase, 3 wire. Model KET-6 and KET-12 are field rewirable to single phase
- Typical approvals include UL, CSA, CE, NSF, ASME and IXP6
- 316 Stainless Steel Interior

### Short Form Specifications

Shall be CLEVELAND, electric kettle, Table Type, self-contained, tilting, Model KET - \_\_\_\_\_ - T; \_\_\_\_\_ gallons, \_\_\_\_\_ KW, \_\_\_\_\_ volt, \_\_\_\_\_ Hz, \_\_\_\_\_ - phase, 3 wire and single phase, 2 wire. 2/3 steam jacketed, type 316 Stainless Steel Interior. Jacket rated at 50 psi with Safety Valve, Permanently filled Steam Jacket, Splash Proof Solid State Temperature ( $\pm 1^{\circ}\text{C}$ ) and Safety Control System in plug-in Module including L.E.D. indicators. Marine Lock (KET-3/6/12-T only). Optional Lift Off Cover. IPX6 Water Rated.

### Options & Accessories

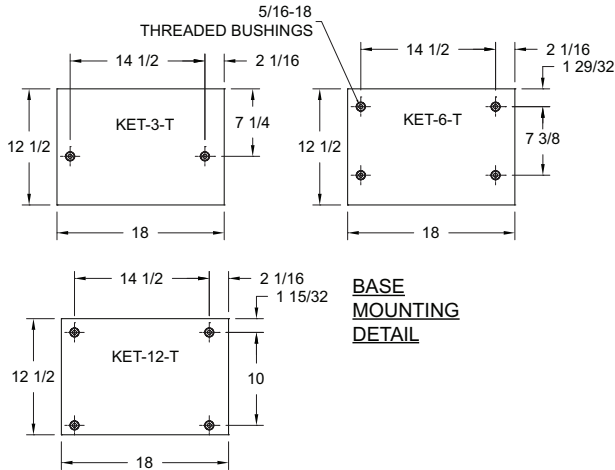
- easyDial Control • Core Temperature Probe Option
- Stainless Steel equipment stand with drain drawer and splash shield (ST-28)
- Hot and cold (DPK) or cold only (SPK) water faucet with swing spout. Requires mounting bracket (FBKT)
- High wattages (HW) and special voltages (see back page)
- Cooking Baskets (BS) • Food Strainers (FS)
- Measuring Strips (MS) • Spray Hose (PRS-K)
- Lift Off Cover (CL) • Kettle Markings (KM)
- Protective Control Panel (PCE) • Optional Gear Box (models -TGB)

KE004046-68 rev C

MODEL	AC	B		D	E	F	G			K	L	M	N	Q	SHIPPING WEIGHT (LBS)	CLEARANCE:
KET-3-T	20 1/4	13 1/4	6		14 1/2	21 1/8			33 7/8	12 7/8	N/A	32	12 3/8	15 1/2	107	RIGHT: 0 INCHES LEFT: 0 INCHES REAR: REFER TO DIMENSION "K"
KET-6-T	24	15 3/4	6 1/2	1 1/2	16 1/2	23 3/4	18		33 11/16	15 1/2	6	36	13 1/4	17 1/4	130	
KET-12-T	27 1/2	20	7		19 1/8	24 15/16			36 7/8	16	6	38	16 3/4	18	163	

ALL DIMENSIONS SHOWN IN INCHES.

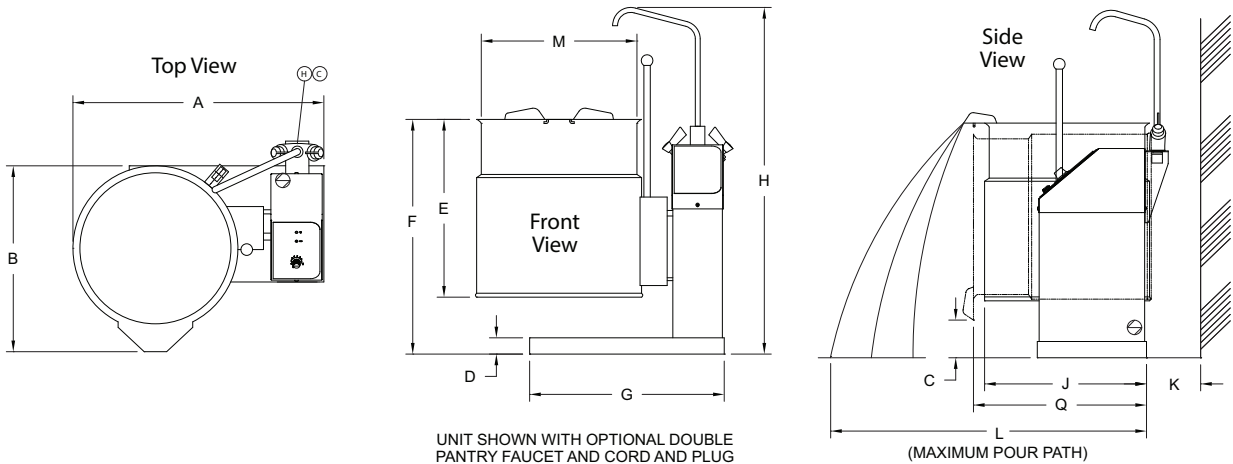
- CAPACITIES: (in 4 oz. servings, other sizes may be calculated)
  - 3 gallons / 11 liters ..... 96 servings
  - 6 gallons / 23 liters ..... 192 servings
  - 12 gallons / 45 liters ..... 352 servings



Standard Control Panel



easyDial Control Panel with Core Temperature Probe



**STANDARD WATTAGE**

GALS. LITERS	208V			240V			415V			480V			
	AMPS	AMPS	AMPS	AMPS	AMPS	AMPS	AMPS	AMPS	AMPS	AMPS	AMPS		
3	11	4.1	19.7	NA	5.4	22.7	NA	NA	NA	NA	NA	NA	
6	23	6.1	29.5	17.0	8.2	34.0	19.6	7.5	18.1	10.5	8.2	17.0	9.8
12	45	9.8	47.2	27.2	13.1	54.4	31.4	12.1	29.0	16.7	13.1	27.2	15.7

**HIGH WATTAGE**

GALS. LITERS	208V			240V			415V			480V			
	AMPS	AMPS	AMPS	AMPS	AMPS	AMPS	AMPS	AMPS	AMPS	AMPS	AMPS		
6	23	9.8	47.2	27.2	13.1	54.4	31.4	12.1	29.0	16.7	13.1	27.2	15.7
12	45	12.3	59.0	34.1	16.3	68.1	39.3	15.1	36.2	20.9	16.3	34.0	19.6

Consult factory for other voltages.

**WATER**

3/8" O.D. copper tube or 1/2" N.P.T. pipe.

When ordered with optional faucet.

**CLEARANCE**

RIGHT = 0"  
LEFT = 0"  
REAR = See "K" on chart above.

**Shipping Weights & Dimensions**

Model - KET-3-T	Weight - 123 lbs Width - 28" Depth - 39" Height - 39"
KET-6-T	Weight - 141 lbs Width - 28" Depth - 39" Height - 39"
KET-12-T	Weight - 177 lbs Width - 28" Depth - 38" Height - 54"

**NOTES:**

Cleveland Range reserves right of design improvement or modification, as warranted. Many regional, state and local codes exist and it is the responsibility of the owner and installer to comply with the codes. Cleveland Range equipment is built to comply with applicable standards for manufacturers. Included among those approval agencies are U.L./NSF#4 and CSA (AGA, CGA).

(NOT TO SCALE)