

Project _____
 Item _____
 Quantity _____
 FCSI Section 11400 _____
 Approved _____
 Date _____

TABLE TYPE TWIN ELECTRIC KETTLES

"SPLASH PROOF SERIES", SELF-CONTAINED, 2/3 STEAM JACKETED,
 PER KETTLE: 3, 6 OR 12 GALLONS (11, 23 OR 45 LITERS)

Models

- TKET-3-T
- TKET-6-T
- TKET-12-T



Standard Features

- Manual tilting, balanced design
- Space saving design through shared, center console
- Balanced, attractive appearance
- Self-contained, easily installed - needs only an electrical hook-up
- Steam jacket filled with treated water, venting and/or refilling is not required
- Accurate, constant solid state temperature controls - less than $\pm 1^{\circ}\text{C}$ variance (ideal for simmering). Operating temperature range from $145^{\circ} - 260^{\circ}\text{F}$ ($63^{\circ}\text{C} - 127^{\circ}\text{C}$)

Standard Control Panel includes:

- LED indicator for heat cycle • LED indicator for low water
- Power ON/OFF Dial with 1-10 Temperature Dial Setting

easyDial Control Panel (optional) includes:

- Adjustable Temperature Control (C&F) • 99 Minute Adjustable Timer Setting • 3 Cooking Models, Cook/Simmer, Cook/On, Cook Off • 6-Built In Self Diagnostics & Display Readout • Core Temperature Probe (Optional)
- IXP6 rated water resistant
- Water resistant controls, splash-proof construction
- Large pouring lip for high capacity and chunky products
- Re-inforced rolled rim design prevents damage to kettle rim, eliminates "bar rim designs"
- Welded-in heating elements, (holds vacuum better, won't leak or loose water)
- Easily cleaned: kettle and all exterior surfaces are of type 304 stainless steel with an #4 finish
- Rear mounted easy access pressure gauge and pressure relief valve to prevent tampering. Color coded easy to read pressure gauge with "green" and "vent air zone"
- 50 psi steam jacket rating for higher cooking temperatures
- 50 psi safety valve
- Solid state water level control (no sight glass gauge to break or leak)
- Splash proof element cover with a double gasket seal
- Self locking marine type tilting mechanism prevents accidental spills. Balanced design makes it easy to tilt
- Standard for TKET-6-T and TKET-12-T is 208-240 volts, 60 Hz, 3-phase, 3-wire. Models TKET-6-T and TKET-12-T are field rewirable to single phase. (Model TKET-3-T available in single phase, 2-wire only).
- Typical approvals include UL, CSA, CE, NSF and ASME
- 316 Stainless Steel Interior

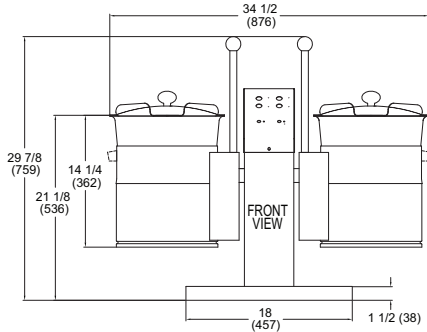
Short Form Specifications

Shall be CLEVELAND, electric twin kettles, Table Type, self-contained, tilting, Model TKET - _____ T; _____ gallons each, _____ KW, _____ volts, _____ Hz, 3 phase/3 wire or single phase/2 wire: with Splash Proof Solid State Temperature ($\pm 1^{\circ}\text{C}$) and Safety Control System in plug-in Module including L.E.D. indicators, Large Pouring Lips, Rear mounted Pressure/Vacuum Gauges, Permanently filled Steam Jackets, 50 psi Steam Jacket Ratings and Safety Valves. Optional Lift Off Covers. 316 Stainless Steel Interior. IPX6 Water Rated.

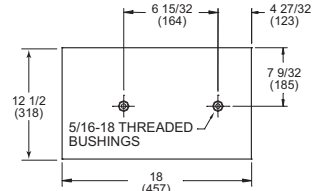
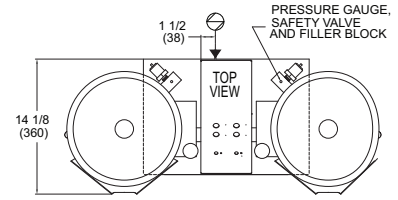
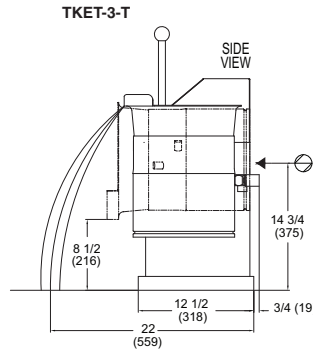
Options & Accessories

- easyDial Control • Core Temperature Probe Option
- Lift Off Covers (CL)
- Common Hot and Cold (DPK) or Cold only (SPK) Water Faucet with Swing Spout. Requires Mounting Bracket (FBKT)
- High wattages (HW) and special voltages (see back page)
- Cooking Baskets (BS) • Food Strainers (FS) • Measuring Strips (MS)
- Stainless Steel Equipment Stand with Drain Drawer and Splash Shield (ST-42 for TKET-3-T & TKET-6-T), (ST-55-t for TKET-12-T)
- Kettle Markings (KM) • Protective Control Panel (PCE)

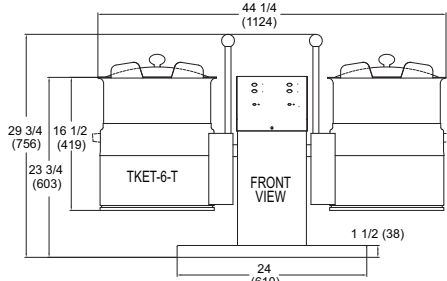
KE004046-96



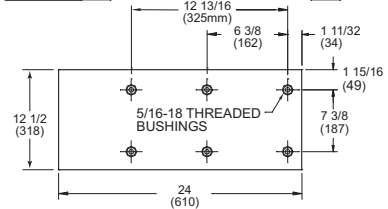
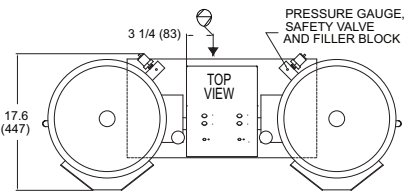
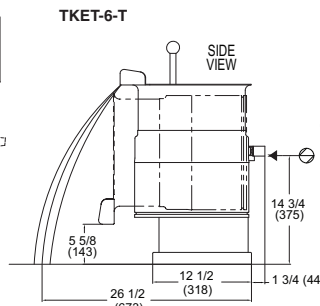
CAPACITY (PER KETTLE):
 (in 4 oz. servings, other sizes may be calculated) 3 gallons / 11 liters / 96 servings
NOTE: DIMENSIONS SHOWN IN INCHES / MM



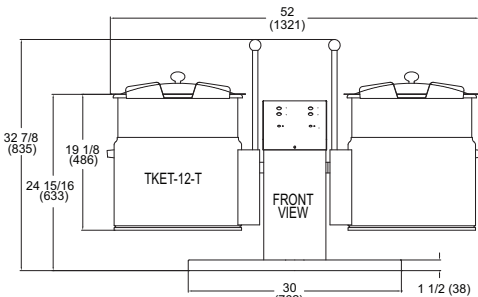
BASE MOUNTING DIAGRAMS
 (VIEW FROM BOTTOM OF BASE)



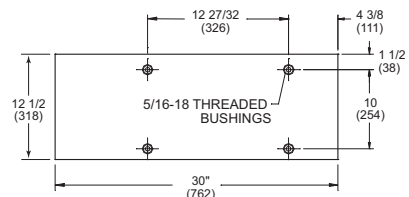
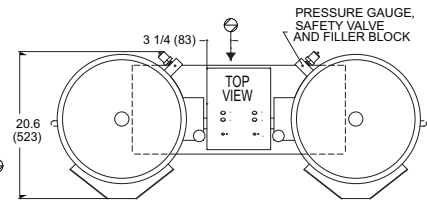
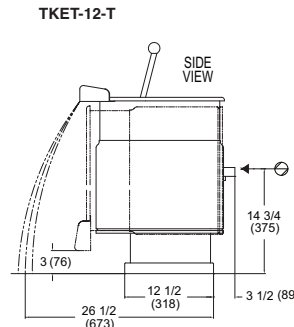
CAPACITY (PER KETTLE):
 (in 4 oz. servings, other sizes may be calculated) 6 gallons / 23 liters / 192 servings
NOTE: DIMENSIONS SHOWN IN INCHES / MM



BASE MOUNTING DIAGRAMS
 (VIEW FROM BOTTOM OF BASE)



CAPACITY (PER KETTLE):
 (in 4 oz. servings, other sizes may be calculated) 12 gallons / 45 liters / 352 servings
NOTE: DIMENSIONS SHOWN IN INCHES / MM



BASE MOUNTING DIAGRAMS
 (VIEW FROM BOTTOM OF BASE)

STANDARD WATTAGE (per kettle)

GALS.	LITERS	208V			240V			415V			480V		
		AMPS	AMPS	AMPS	AMPS	AMPS	AMPS	AMPS	AMPS	AMPS	AMPS	AMPS	
3	11	8.2	39.3	NA	10.9	45.4	NA	NA	NA	NA	NA	NA	
6	23	12.3	59.0	34.1	16.3	68.1	39.3	15.0	36.1	20.9	16.3	34.0	
12	45	19.6	94.4	54.5	26.1	108.9	62.9	24.0	57.8	33.4	26.1	54.4	

HIGH WATTAGE (per kettle)

GALS.	LITERS	208V			240V			415V			480V		
		AMPS	AMPS	AMPS	AMPS	AMPS	AMPS	AMPS	AMPS	AMPS	AMPS	AMPS	
6	23	19.6	NA	54.5	26.1	NA	62.9	24.0	57.8	33.4	26.1	54.4	
12	45	24.5	NA	68.1	32.7	NA	78.6	30.0	72.3	41.7	32.7	68.1	

Consult factory for other voltages.

NOTES:

Cleveland Range reserves right of design improvement or modification, as warranted.
 Many regional, state and local codes exist and it is the responsibility of the owner and installer to comply with the codes.
 Cleveland Range equipment is built to comply with applicable standards for manufacturers. Included among those approval agencies are U.L./NSF#4 and CSA (AGA, CGA).

Shipping Weights & Dimensions

Model - TKET-3-T	Weight - 135 lbs
TKET-6-T	Weight - 220 lbs
	Width - 28"
	Depth - 54"
	Height - 39"
TKET-12-T	Weight - 304 lbs
	Width - 28"
	Depth - 54"
	Height - 39"

(NOT TO SCALE)