

SteamChef™ 3 & 6

OPEN TYPE STAND,
ALL STAINLESS STEEL,

Project _____
 Item _____
 Quantity _____
 FCSI Section 11400 _____
 Approved _____
 Date _____

Steamchef™ 3 & 6 Equipment Stands

Models

- UNISTAND25 ELECTRIC UNITS - two 22CET3.1 or one 22CET6.1
GAS UNITS - one 22CGT3.1 or one 22CGT6.1
- UNISTAND34 ELECTRIC UNITS - two 22CET3.1 or one 22CET6.1
GAS UNITS - one 22CGT3.1 or one 22CGT6.1
- ES26304066E ELECTRIC UNITS - two 22CET6.1
- ES26304433G GAS UNITS - two 22CGT3.1
- ES26304466G GAS UNITS - two 22CGT6.1 or one 22CGT3.1 on top of one 22CGT6.1

Additional Stacking Kits required if purchased separately, contact factory.



UNISTAND 25
& UNISTAND34

ES26304433E
& ES26304433G

Short Form Specifications

Shall be CLEVELAND, _____ open type Equipment Stands for mounting one or two SteamChef™ 3's or 6's. All Stainless Steel welded construction with; 1 1/4" square tubing for UNISTAND25 and UNISTAND34; 1 1/2" square tubing for ES263044_____. Furnished with Level Adjustable Feet (rear feet are flanged for floor bolting). Preset mounting Holes for positioning unit into proper location

Standard Features

- Preset mounting holes for positioning unit into proper location
- All stainless steel welded construction with:
1 1/4" square tubing for UNISTAND25 and UNISTAND34
1 1/2" square tubing ES26304066E and ES26304466G
- Level adjustable feet (rear feet are flanged for floor bolting)
- Stainless steel bottom shelf

Options & Accessories

- 100 psi Steam Jacket pressure Option
 - Control Center on left-hand Console
- *Not available for ES26304066E and ES26304466G



(2) 22CET3.1

Requires field installation. This combination includes:

- 2-each 22CET3.1 SteamChef™ Counter Top Steamers
- 1-each ChefStackIt Direct Stacking Kit and install hardware
- 1-each UNISTAND25 Equipment Stacking Stand
- Common drain and water connection manifold



(2) 22CET6.1

Requires field installation. This combination includes:

- 2-each 22CET6.1 SteamChef™ Counter Top Steamers
- ES26304066E Stacking Stand (PN 111467E)
- Common drain and water connection manifold



(2) 22CGT3.1

Requires field installation. This combination includes:

- 2-each 22CGT3.1 SteamChef™ Counter Top Steamers
- 1-each ES26304433G Equipment Stacking Stand
- Common drain and water connection manifold



(2) 22CGT6.1

Requires field installation. This combination includes:

- 1-each 22CGT6.1 & 22CGT3.1 SteamChef™ Counter Top Steamers
- ES26304466G Stacking Stand (PN 113130G)
- Common drain and water connection manifold

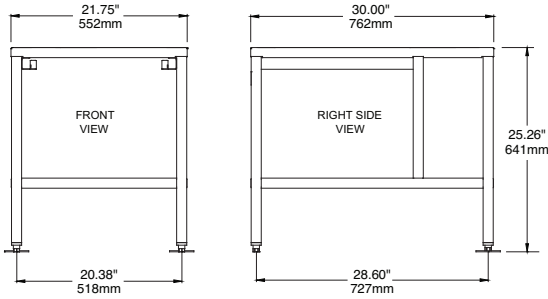


(2) 22CGT6.1

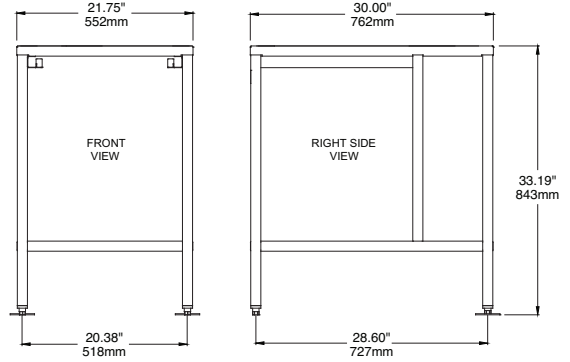
Requires field installation. This combination includes:

- 2-each 22CGT6.1 SteamChef™ Counter Top Steamers
- ES26304466G Stacking Stand (PN 113130G)
- Common drain and water connection manifold

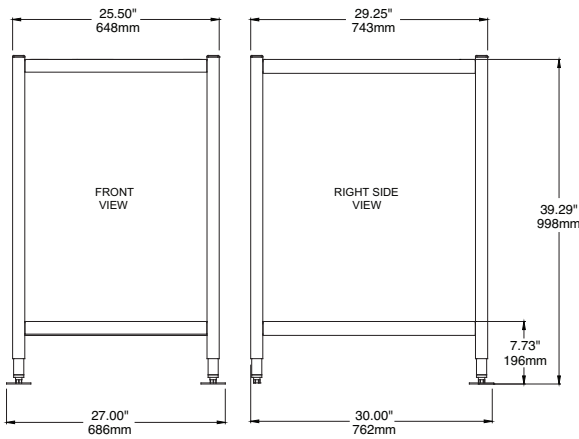
KE004046-100



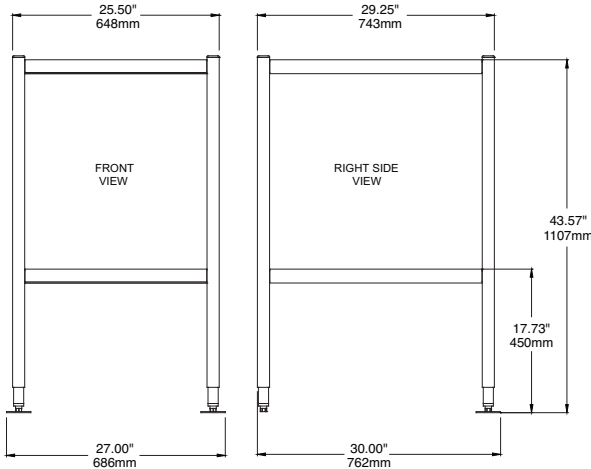
MODEL: UNISTAND25



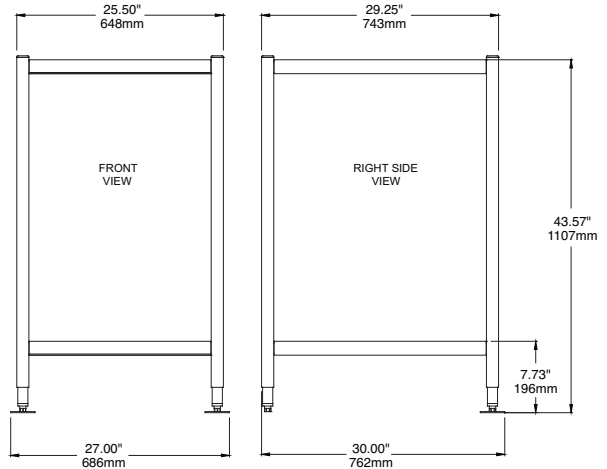
MODEL: UNISTAND34



MODEL: ES26304066E



MODEL: ES26304433G



MODEL: ES26304466G

NOTES:

Cleveland Range reserves right of design improvement or modification, as warranted.
 Many regional, state and local codes exist and it is the responsibility of the owner and installer to comply with the codes.
 Cleveland Range equipment is built to comply with applicable standards for manufacturers. Included among those approval agencies are U.L./NSF#4 and CSA (AGA, CGA).

(NOT TO SCALE)