



Model: _____ Item #: _____ Date: _____

Project: _____ Qty: _____ Approved By: _____

Self-Contained Back Bar Refrigeration

Refrigeration



BS60-KSS-LR

Standard Features

- 35" High without Top, 36" High with 1" Optional Top
- 24" Front to Back Depth (25" with Top)
- Coved corner stainless steel interior
- Heavy duty Self-Closing 24"W Doors
- Stainless steel door handles with built-in locks
- Digital thermostat
- Built-in Cool White LED Lighting (7000K)
- DynamicChill 360° Technology
- Heated mullion to minimize condensation
- Approved for NSF 7 Open Food Storage
- Pre-drilled bottom for optional legs or casters (uses 1/4-20 self tapping 1/2"L screw)
- Eco-friendly Refrigerant and Insulation
- 5-Year Compressor Warranty
- 1-Year Parts & Labor Warranty

Models

Model	Length	Doors	Weight	Amps	HP
BS36	36"	1-Door	285 lbs.	1.7	1/5
BS60	60"	2-Door	360 lbs.	2.2	1/4
BS84	84"	3-Door	480 lbs.	2.7	1/3
BS108	108"	4-Door	525 lbs.	2.8	1/3

Case Capacity

Model	BS36 (36")	BS60 (60")	BS84 (84")	BS108 (108")
Long Neck Bottles	7.5	15.5	24	30
12 oz Cans	10	20	34	40
Wine Bottles (ea)	72	162	248	288

DUAL ZONE TEMPERATURE CONTROL*

Model	Description
RB-STAT	Red Wine, 60°F-65°F and Beer, 30°F-40°F
RW-STAT	Red Wine, 60°F-65°F and White Wine, 50°F-55°F

*Only available on 60", 84" and 108" units

Specifications

- 115 V, 1 Phase, 60 Hz
 - Furnished with 8'-0" plug-in cord, which exits left or right rear of cooler
 - NEMA 5-15P plug configuration
- Electrical**
- Dedicated 15 amp circuit recommended
 - 1 Door Units (36"): 1.7 amps, 1/5 HP
 - 2 Door Units (60"): 2.2 amps, 1/4 HP
 - 3 Door Units (84"): 2.7 amps, 1/3 HP
 - 4 Door Units (108"): 2.8 amps, 1/3 HP
- Refrigeration**
- R290 Hydrocarbon Refrigerant
 - 30°F - 40°F operating range
 - Digital thermostat on front grille
- Plumbing**
- No drain required
 - Condensate evaporator pan included
- Insulation**
- 2" thick foamed-in-place polyurethane
- Interior**
- 20 gauge stainless steel walls with coved corners
 - NSF epoxy coated durable shelves - one bottom and two adjustable shelves per door
- Exterior**
- Sides: 20 gauge stainless steel
 - Front: 20 gauge stainless steel
 - Back: 20 gauge galvanized steel
 - Top: 20 gauge galvanized steel with option of 1" stainless steel top
- Doors**
- Self-closing 24"W doors available in black vinyl, stainless steel, glass with black vinyl, or glass with stainless steel
 - 19-3/4"W x 29-11/16"H door opening



This equipment is intended for the storage and display of non-potentially hazardous bottle or canned products only.



Model: _____ Item #: _____ Date: _____

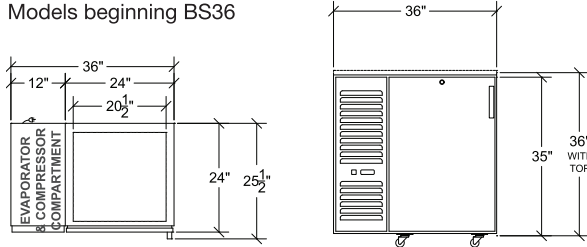
Project: _____ Qty: _____ Approved By: _____

Self-Contained Back Bar Refrigeration

Refrigeration

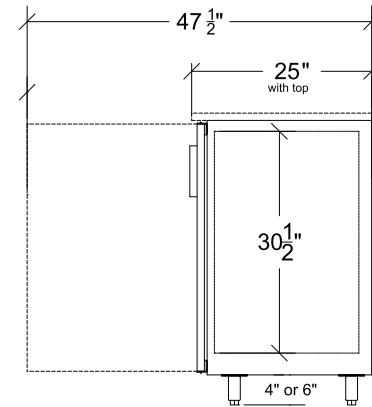
One Door (36")

Models beginning BS36



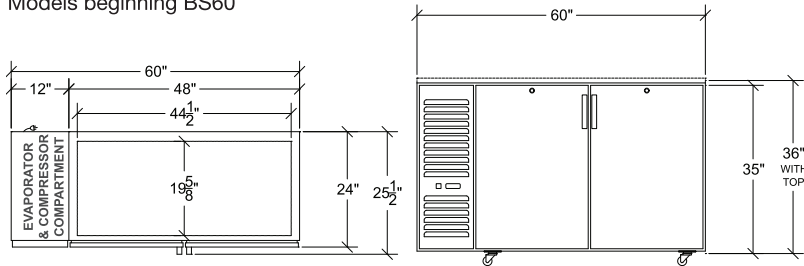
Standard Door Side View

Applies to all Models



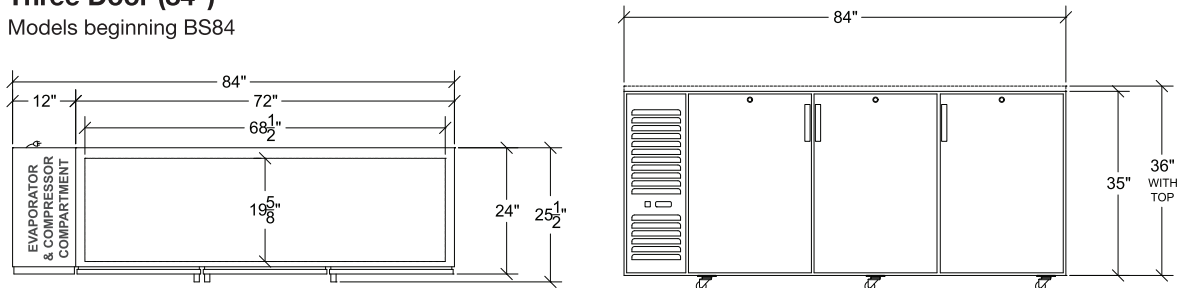
Two Door (60")

Models beginning BS60



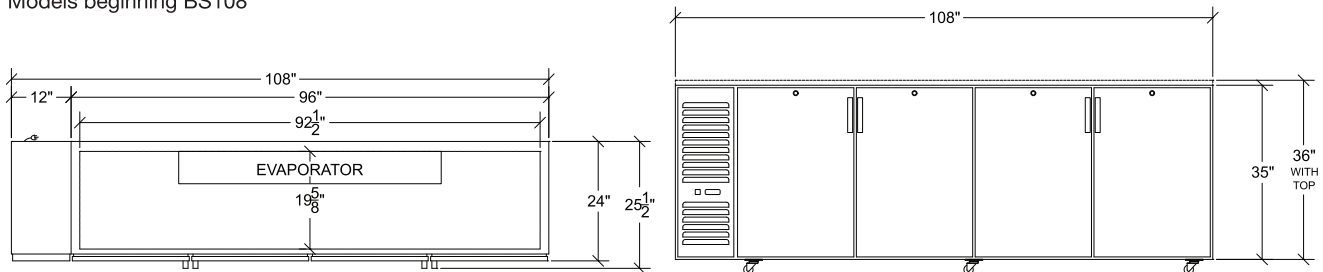
Three Door (84")

Models beginning BS84



Four Door (108")

Models beginning BS108



Note: Optional casters raise height 1" higher than wheel size

Note: Optional 4" or 6" legs available