



Model: _____ Item #: _____ Date: _____

Project: _____ Qty: _____ Approved By: _____

Sinks with Soap & Towel Dispensers

Royal Series Underbar

Specifications

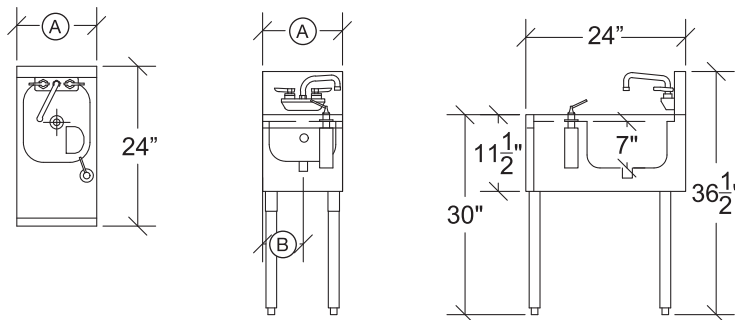
Sink Bowls	<ul style="list-style-type: none"> 20 gauge stainless steel Furnished with 1" IPS rear corner drain and 7-1/2" overflow pipe
Plumbing	<ul style="list-style-type: none"> Hot/Cold water: 1/2" IPS Drain: 1-1/2" IPS
Faucet	<ul style="list-style-type: none"> 4" Center wall mount Royal Series faucet with ceramic cartridge valves
Soap & Towel Dispenser	<ul style="list-style-type: none"> Built-in push-down soap dispenser and tri-fold paper towel dispenser

Materials	<ul style="list-style-type: none"> Front Apron: 20 gauge stainless steel clad over 20 gauge galvanized steel Backsplash: 20 gauge stainless steel Back & Bottom: 20 gauge galvanized steel Sides: 20 gauge stainless steel
Legs	<ul style="list-style-type: none"> 1-5/8" tubular 16 gauge stainless steel legs with grey plastic bullet foot

Note: KR19-18WST is wall mounted. All other units are freestanding.



Model	Length (A)	Depth	Faucet	Sink Bowl Size	Left Side To Drain (B)	Weight (lbs.)
KR24-12ST	12"	24"	Manual Faucet	10" x 12" x 7"	6"	60 lbs.
KR24-12ST-E	12"	24"	Electronic Faucet	10" x 12" x 7"	6"	60 lbs.
KR24-18ST	18"	24"	Manual Faucet	10" x 14" x 7"	9"	65 lbs.
KR24-18ST-E	18"	24"	Electronic Faucet	10" x 14" x 7"	9"	65 lbs.



Model	Length (A)	Depth	Faucet	Sink Bowl Size	Left Side To Drain (B)	Weight (lbs.)
KR19-12ST-E	12"	19"	Manual Faucet	10" x 14" x 7"	6"	55 lbs.
KR19-18ST	18"	19"	Electronic Faucet	10" x 14" x 7"	9"	60 lbs.
KR19-18WST	18"	19"	Wall Mount with Manual Faucet	10" x 14" x 7"	9"	49 lbs.

