



BEVERAGE-AIR

Project: _____	AIA#
Item: _____	SIS#
Location: _____	
Approved: _____	

UCR34HC UNDERCOUNTER REFRIGERATOR

SHALLOW DEPTH UNDERCOUNTER UCR34HC Solid Door Refrigerator Hydrocarbon Series

MODEL:
UCR34HC



3 Year Parts/Labor Warranty
Additional 4 Year Compressor Warranty

CABINET CONSTRUCTION

- Stainless steel front, sides, top, door and grille (galvanized steel back & bottom)
- Interior liner is made of corrosion resistant aluminum
- Full electronic control
- Undercounter feature a 1/2" thick sub-top
- Interior thermometer
- Self-closing doors with 120° stay-open feature, on cartridge style hinges
- Magnetic gaskets attached to each door for positive seal
- 6" Casters, two (2) with brakes standard
- Four (4) epoxy-coated steel wire shelves

OPTIONS & ACCESSORIES

- Stainless steel back
- Stainless steel interior
- Additional shelves
- Shelf clips
- Glass door option
- Right or left hinged door
- Locks
- Wire shelf divider
- 3" Casters
- 6" Legs (stainless steel, black or seismic/flange)
- Low profile casters
- Roller kit
- Remote option* (see note on back on page)

REFRIGERATION SYSTEM

- Uses environmentally friendly, energy efficient R290 refrigerant, and meets all regulatory requirements for CARB, SNAP, DOE & more
- Adaptive defrost
- Epoxy coated evaporator coil
- Refrigerators capable of maintaining product temperature between 36°F and 38°F



Please verify qualifying units by visiting:
www.energystar.gov/cfs

3779 Champion Blvd., Winston-Salem, NC 27105
1-888-845-9800 Fax: 1-336-245-6453
Beverage-Air.com Sales@bevair.com



BEVERAGE-AIR

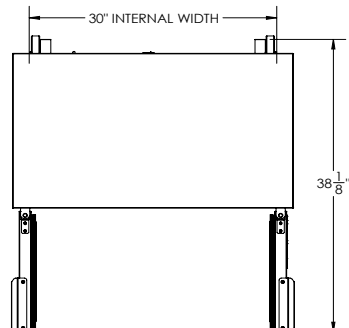
MODEL	UCR34HC
EXTERNAL DIMENSIONAL DATA	
Width Overall	34"
Depth Overall with Handle & Bumper	24 ⁵ / ₈ "
Height Overall with 6" Casters	31 ¹ / ₈ "
Number of Doors	2
Depth with Door Open 90°	38 ¹ / ₈ "
Door Openings	13 ¹ / ₈ " x 18"
INTERNAL DIMENSIONAL DATA	
NET Capacity (cubic ft.)	3.88
Internal Width Overall (in)	30"
Internal Depth Overall (in)	8 ¹ / ₄ "
Internal Height Overall (in)	19 ¹ / ₂ "
Number of Shelves	4
ELECTRICAL DATA	
Full Load Amperes	2.0
REFRIGERATION DATA	
Horsepower	1/6
Capacity (BTU/Hr)	1110
Heat Rejection (BTU/Hr)	1665
Charge (lbs/grams)	0.1323/60
SHIPPING DATA	
Gross Weight - Crated	167 lbs
Height - Crated	35"
Width - Crated	37"
Depth - Crated	25"

*NOTE: Remote units are field wired and come with 6" legs.
Refrigerant must be specified at time of order.

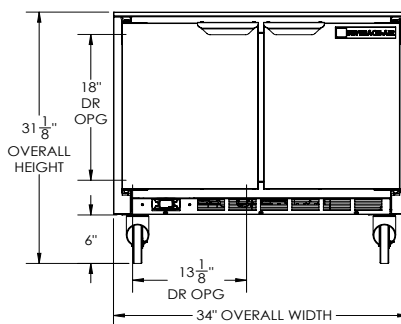
Undercounter Refrigerator - Shallow Depth Model: UCR34HC

Model Views

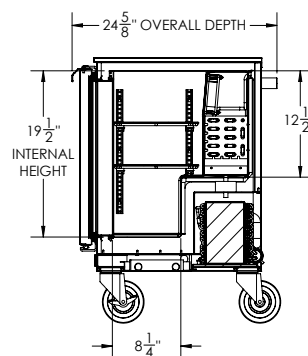
Required Clearance: 3 3/16" bottom & 2" rear



PLAN VIEW



ELEVATION VIEW



SIDE VIEW

ELECTRICAL CONNECTION



115/60/1
NEMA 5-15P

Unit pre-wired at
factory and include 8'
long cord and plug set.



3779 Champion Blvd., Winston-Salem, NC 27105 1-888-845-9800 Fax: 1-336-245-6453 Beverage-Air.com Sales@beveair.com

an Ali Group Company



The Spirit of Excellence