

STAINLESS STEEL

16 GA. TOP ECONOMY ENCLOSED BASE WORK TABLES WITH FLAT TOP & MID SHELF

AVAILABLE WITH SLIDING OR HINGED DOORS



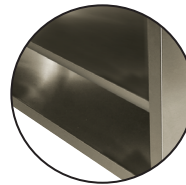
ECB-SS-244M With Sliding Doors Shown



EHB-SS-244M With Hinged Doors Shown



Item #: _____ Qty #: _____
 Model #: _____
 Project #: _____



Includes Mid-shelf



Featuring Bolt-On Stainless Steel Leg

FEATURES:

Furnished with a 1-5/8" sanitary rolled rim on the front and 1-5/8" square bend edges on the 2 sides and rear.

Fixed Mid Shelf.

Recessed handles for ease in opening and closing.

Rear flush panel along the rear of the base unit.

ECB-SS SERIES SLIDING DOORS

Removable doors for easy maintenance and cleaning.

EHB-SS SERIES HINGED DOORS

Constructed as double panel doors with recessed inner panels for extra rigidity.

CONSTRUCTION:

All TIG welded. Exposed areas finished to match adjacent surfaces.

Hat section secured to Top reinforces and maintains level working surface.

Legs bolt on to table base.

TOP: 16 gauge stainless steel type "304" series with galvanized under structure.

BODY & MID SHELF: 18 gauge stainless steel type "430" series.

LEGS: Stainless steel and include 1-1/2" adjustable bullet foot.

| | L | SLIDING DOORS | Approx. Wt. | HINGED DOORS | Approx. Wt. | # of Doors | Approx. Cu. Ft. |
|-----------------|--------------|---------------|--------------|--------------|-------------|------------|-----------------|
| 24" WIDE | 36" | N/A | | EHB-SS-243M | 158 lbs. | 2 | 30 |
| | 48" | ECB-SS-244M | 178 lbs. | EHB-SS-244M | 190 lbs. | 2 | 38 |
| | 60" | ECB-SS-245M | 230 lbs. | EHB-SS-245M | 225 lbs. | 2 | 47 |
| | 72" | ECB-SS-246M | 270 lbs. | EHB-SS-246M | 275 lbs. | 2 | 56 |
| | 84" | ECB-SS-247M | 330 lbs. | EHB-SS-247M | 325 lbs. | 4 | 66 |
| | 96" | ECB-SS-248M | 370 lbs. | EHB-SS-248M | 365 lbs. | 4 | 74 |
| | 108" | ECB-SS-249M | 405 lbs. | EHB-SS-249M | 400 lbs. | 4 | 83 |
| 30" WIDE | 120" | ECB-SS-2410M | 445 lbs. | EHB-SS-2410M | 440 lbs. | 4 | 92 |
| | 36" | N/A | | EHB-SS-303M | 170 lbs. | 2 | 35 |
| | 48" | ECB-SS-304M | 205 lbs. | EHB-SS-304M | 210 lbs. | 2 | 45 |
| | 60" | ECB-SS-305M | 240 lbs. | EHB-SS-305M | 250 lbs. | 2 | 55 |
| | 72" | ECB-SS-306M | 285 lbs. | EHB-SS-306M | 310 lbs. | 2 | 66 |
| | 84" | ECB-SS-307M | 345 lbs. | EHB-SS-307M | 355 lbs. | 4 | 76 |
| | 96" | ECB-SS-308M | 390 lbs. | EHB-SS-308M | 400 lbs. | 4 | 87 |
| 108" | ECB-SS-309M | 425 lbs. | EHB-SS-309M | 425 lbs. | 4 | 97 | |
| 120" | ECB-SS-3010M | 485 lbs. | EHB-SS-3010M | 480 lbs. | 4 | 107 | |

OPTIONAL ACCESSORIES & MODIFICATIONS

DOOR LOCK WITH KEYS

TA-46 One Per Hinged Door Or Pair of Sliding Doors



5" BOLT-ON CASTERS

Includes 2 With Brakes
 TA-255P Set of 4
 TA-255AP Set of 6

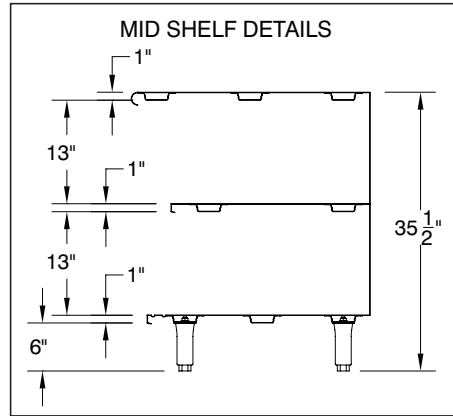


DETAILS and SPECIFICATIONS

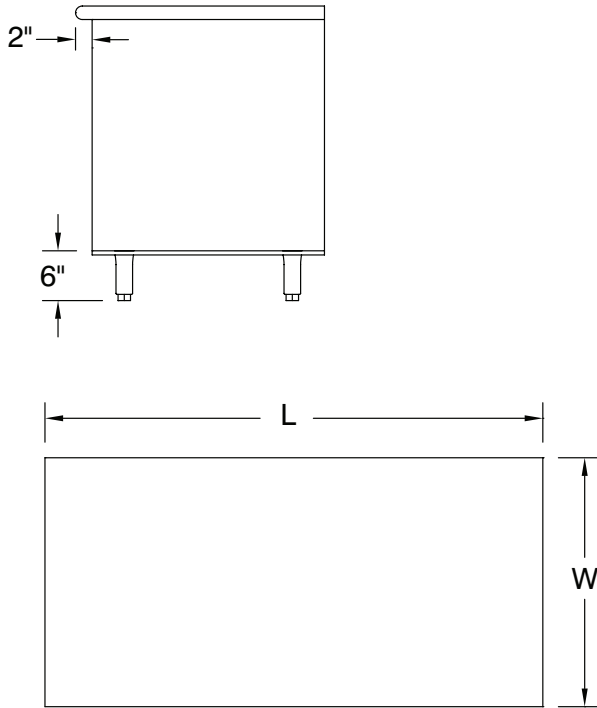
TOL ± .500"

Units 7' and larger are furnished with 6 legs.

ALL DIMENSIONS ARE TYPICAL



ECB Slide Doors Series



EHB Hinged Doors Series

